

Floor Lamp

General Guidelines

- Please pay attention to the warning signs.
- Please read the instructions with caution before operating and keep it properly.
- This summary may not include every detail of all variations and considered steps. Please feel free to contact us if further information and help are needed.

Warning

1. Before assembly, lay out all parts on a clean, flat surface and inspect each part for defects that may have occurred during shipping.
2. Inspect the wire insulation for any cuts, abrasions, or exposed copper that may have occurred during shipping. If there are any defects, DO NOT continue assembly. Please contact our customer service team immediately.
3. Consult a qualified electrician if you have any electrical questions.
4. To reduce the likelihood of tipping over, we recommend placing the lamp behind furniture and keeping children and pets away.
5. Never drape clothes over the lamp.
6. To prevent children from suffocating and choking, keep them away from packing materials.
7. Please keep this manual and pass it along when transferring the product.

Specifications

- Product Height: 61 in (156cm)
- Wire Length: 78.7 in (200cm)
- Input Voltage: 120Vac 60Hz
- E26 Socket Max Load: LED Bulb 12 W or Incandescent Bulb 60 W
- Bulb: Not Included

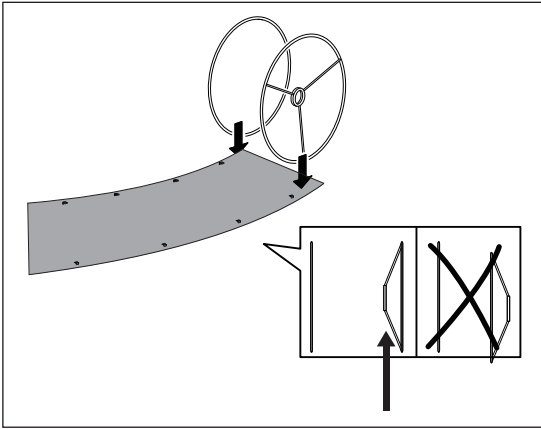
Trouble Shooting

1. If the lamp doesn't work, check that the plug is firmly inserted and the bulb (not included) is properly installed. Then pull the pull cord switch.
2. If it still doesn't work, try a different bulb.

One-Year Limited Warranty

We provide a one-year warranty for materials and workmanship from the date of purchase. Please note that the warranty does not cover damage caused by personal misuse or improper installation. Kindly attach your Order ID and Name so that our dedicated customer service team can assist you more efficiently.

Assembly Instructions



1. Screw the E-D-C-B-A parts together clockwise in turn as shown, and gently pull out the excess power cord from the bottom of the part (B)
2. Place the shade (F) on the socket and screw the socket ring (G) to fix the shade.

