

Features

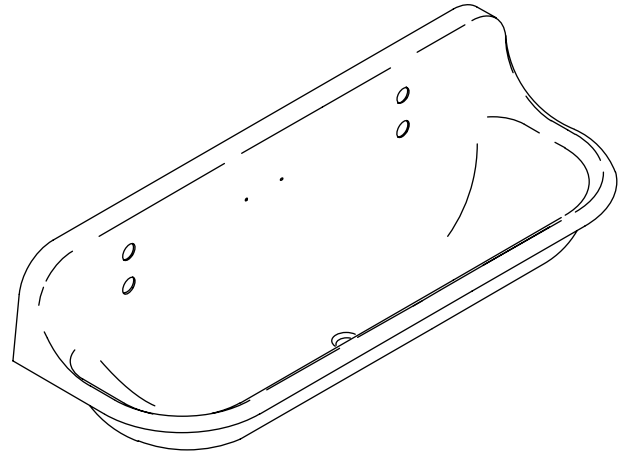
- Cast iron
- Acid resistant enamel finish
- Faucet and soap dish drillings
- 4' (122 cm)

WASH SINK K-3202

Codes/Standards Applicable

Specified model meets or exceeds the following:

- ASME A112.19.1
- IAPMO/UPC
- CSA International
- Listed in State of Massachusetts



Colors/Finishes

- 0: White

Accessories:

- CP: Polished Chrome
- BC: Bright Chrome
- RP: Rough Plate
- NA: None applicable

Specified Model

Model	Description	Colors/Finishes
K-3202	4' (122 cm) wash sink	<input type="checkbox"/> 0 White
Optional Accessories		
K-3264-PP	Adjustable pedestal, painted finish	<input type="checkbox"/> NA
K-3264-P	Adjustable pedestal, glazed finish	<input type="checkbox"/> NA
K-3265-PP	Adjustable pedestal, painted finish	<input type="checkbox"/> NA
K-3265-P	Adjustable pedestal, glazed finish	<input type="checkbox"/> NA
K-8820	1-1/2" D. (3.8 cm) sink strainer	<input type="checkbox"/> CP
K-8880	Soap dish	<input type="checkbox"/> BC
K-8892	Wash sink faucet	<input type="checkbox"/> RP

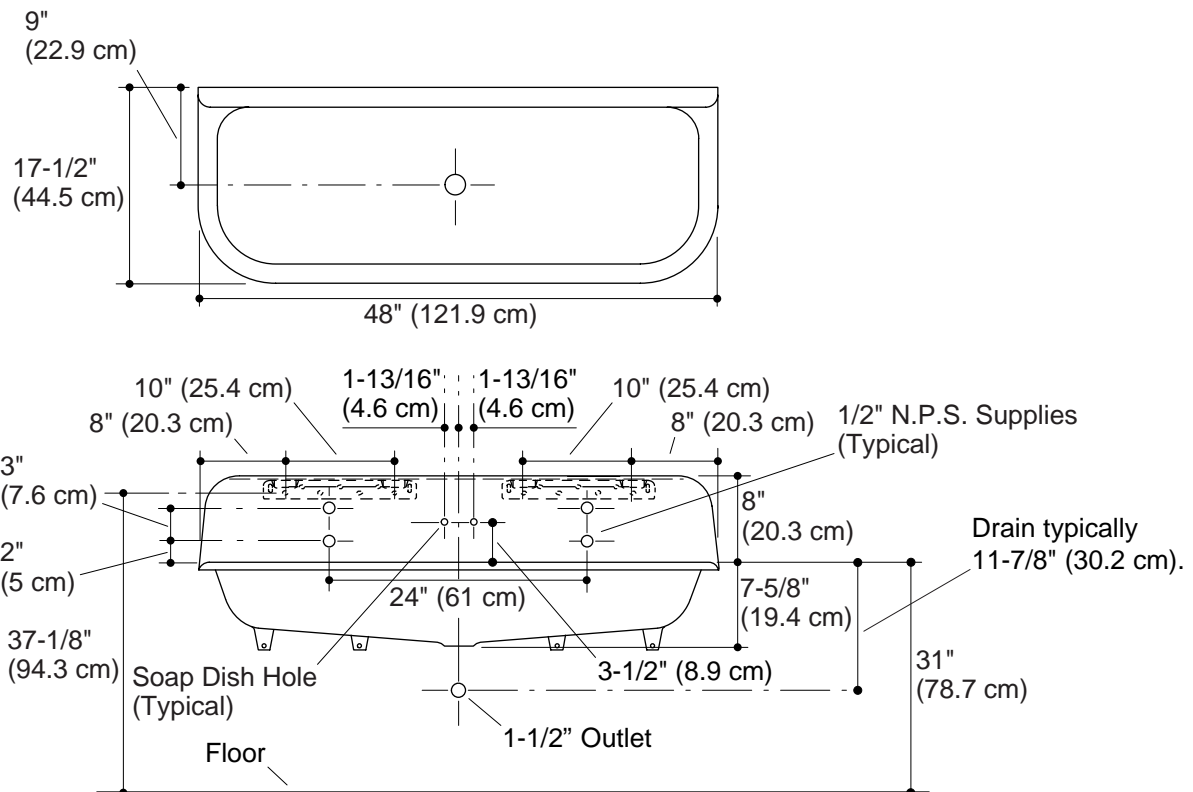
Product Specification:

The wash sink shall be 4' (122 cm) in length. Sink shall be made of cast iron with acid resistant enamel finish. Sink shall have faucet and soap dish drillings. Sink shall be Kohler Model K-3202-_____.

BROCKWAY™

Technical Information

Fixture:*		basin area	water depth
Lavatory		44" (111.8 cm) x 14" (35.6 cm)	7" (17.8 cm)
Drain hole	2-1/8" D. (5.4 cm)		
Faucet holes	1-1/2" D. (3.8 cm)		
Soap dish holes	5/16" D. (8 mm)		
* Approximate measurements for comparison only.			
Number of faucets		2	
Number of soap dishes		1	
Included components			
Hangers		64503	



Product Diagram