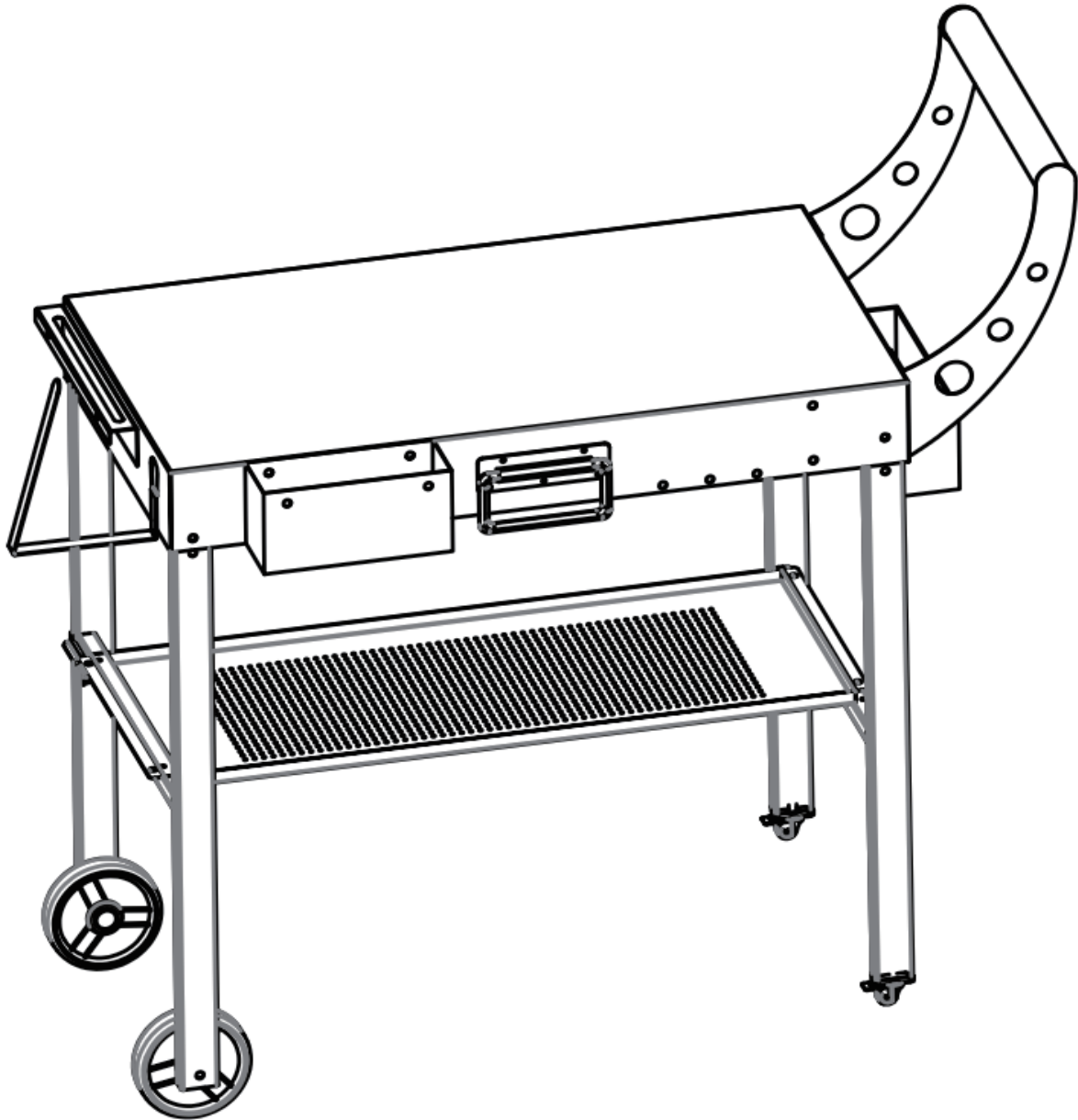


ASSEMBLY INSTRUCTIONS

Stainless Steel Portable Grill Cart



Thank for choosing our product. Please kindly check parts listed below and read this manual carefully, then assemble them step by step. Please feel free to contact us for any questions. Retain instructions for future reference.

ATTENTION

- ◆ This cart has a maximum load capacity of 45 pounds per floor.
- ◆ Do not allow children to operate or play with the Cart alone.
- ◆ Ensure that all parts of the Cart are fully extended and locked before use.
- ◆ Pay attention to the terrain and avoid using the Cart on steep slopes or uneven roads.
- ◆ Keep the Cart away from high temperatures and open flames.
- ◆ If any parts are damaged or worn, replace them promptly or contact customer service.

ABOUT ASSEMBLY

1. Maintenance and Care

- ◆ Regularly check all parts of the Cart to ensure they are functioning properly.
- ◆ Wipe the Cart surface with a damp cloth; avoid using corrosive cleaners.
- ◆ When storing, keep the Cart dry and avoid prolonged exposure to sunlight.

2. Troubleshooting

- ◆ Cart cannot be unfolded or folded:

Check if the folding lock mechanism is stuck; apply a small amount of lubricant if necessary.

- ◆ Cart makes noise while moving:

Check the tires and bearings for debris; clean them if necessary.

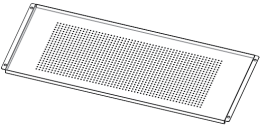
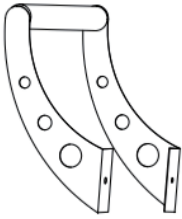
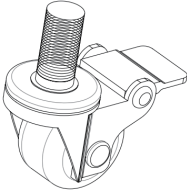

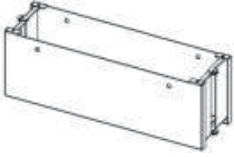




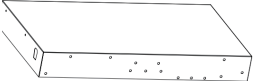








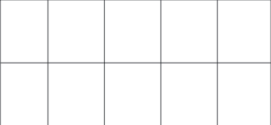

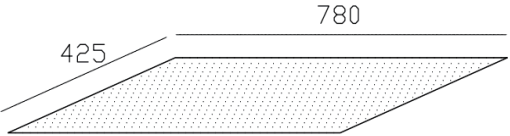
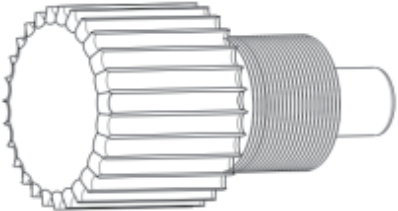
- ◆ Cart is unstable or tilted:

Ensure all parts are fully extended and locked.

3. Warranty

Thank you for purchasing our folding Cart. If you have any questions or need assistance, please contact our customer service center.

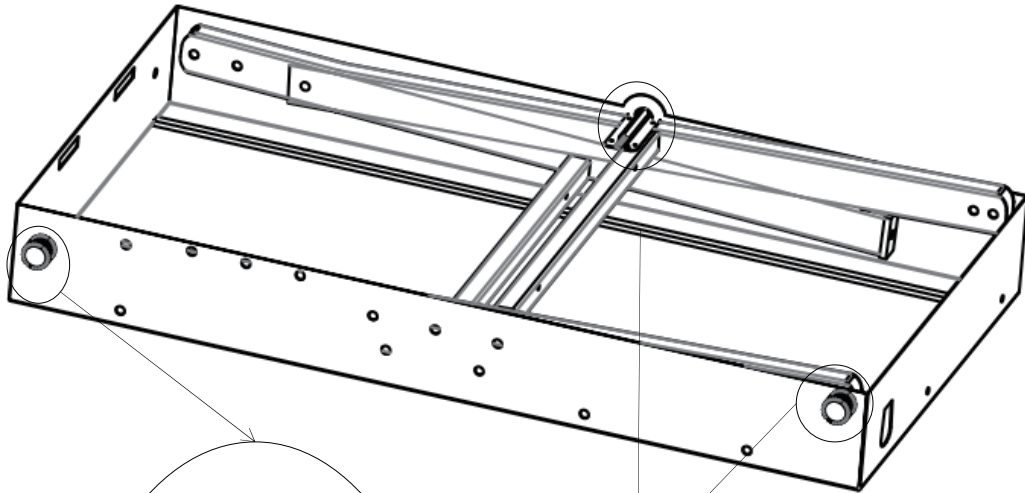
PARTS LIST

①	1PC	②	1PC	③	2PCS	④	2PCS	⑤	2PCS
									
⑥	1PC	⑦	1PC	⑧	1PC	⑨	5PCS	⑩	1PC
									
A	13PCS	B	13PCS	C	1PC	D	1PC	E	2PCS
 M5x10		 M5							
F	2PCS	G	2PCS	H	1PC	I	1PC	J	2PCS
						 M3 Adhesive backing		 Ribbon	
K		1PC	Q		2PCS				
 Felt cloth									

Assembly Guide

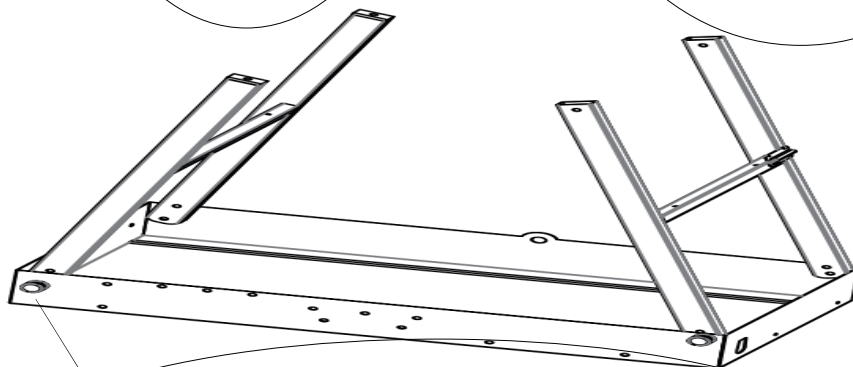
Step 1

Step 1: Remove the product from the packaging box and place a horizontal tabletop on a level surface



Step 3: Rotate this knob (Q) clockwise several times to install it on the main body (10), which can adjust the tightness of the support frame for easy support and fixation of the pipe frame

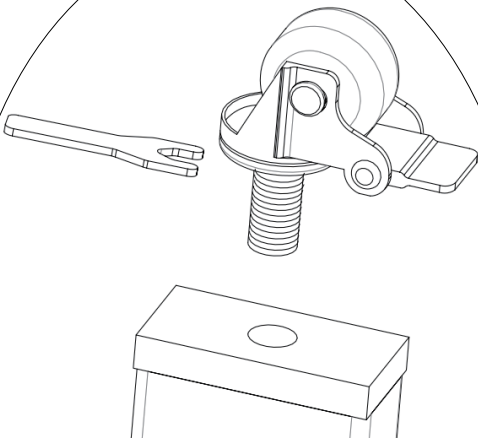
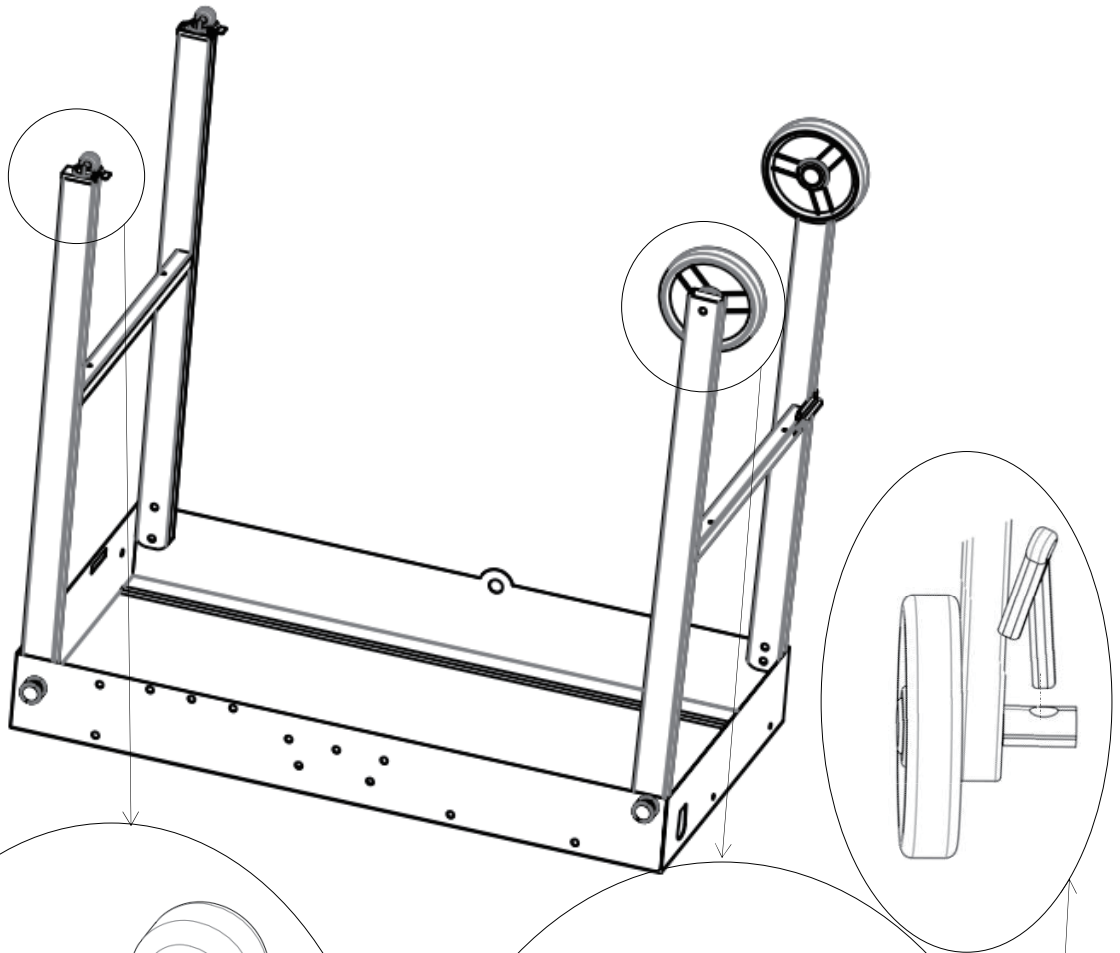
Step 2: Pull the plug pin inward to release the desktop and separate it from the pipe support bracket



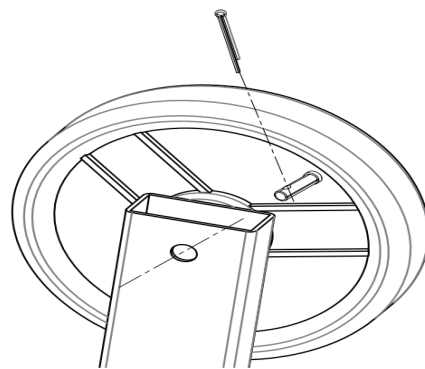
Step 4: Pull out this knob (Q) to open the tube support frame to both sides, keeping it horizontal and vertical at a 90 degree angle to the desktop

Assembly Guide

Step 2



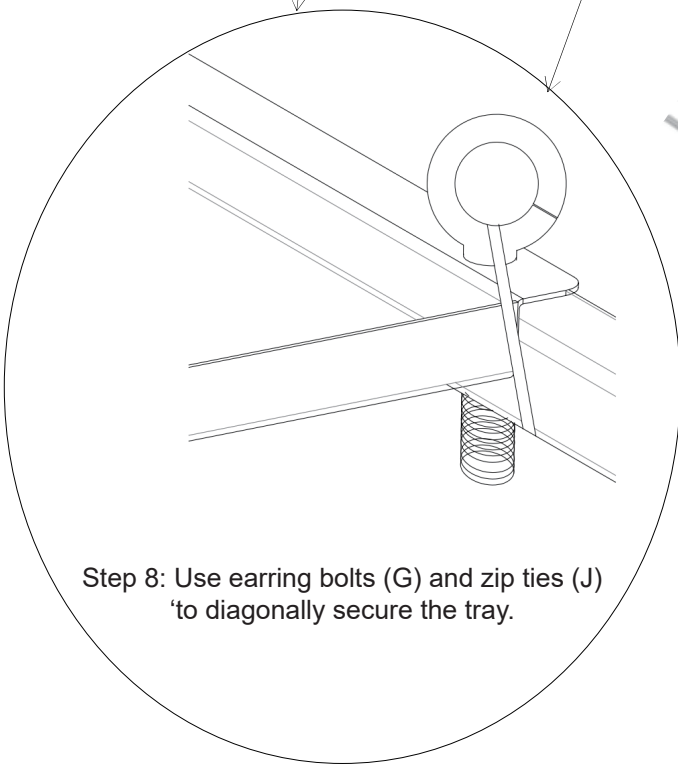
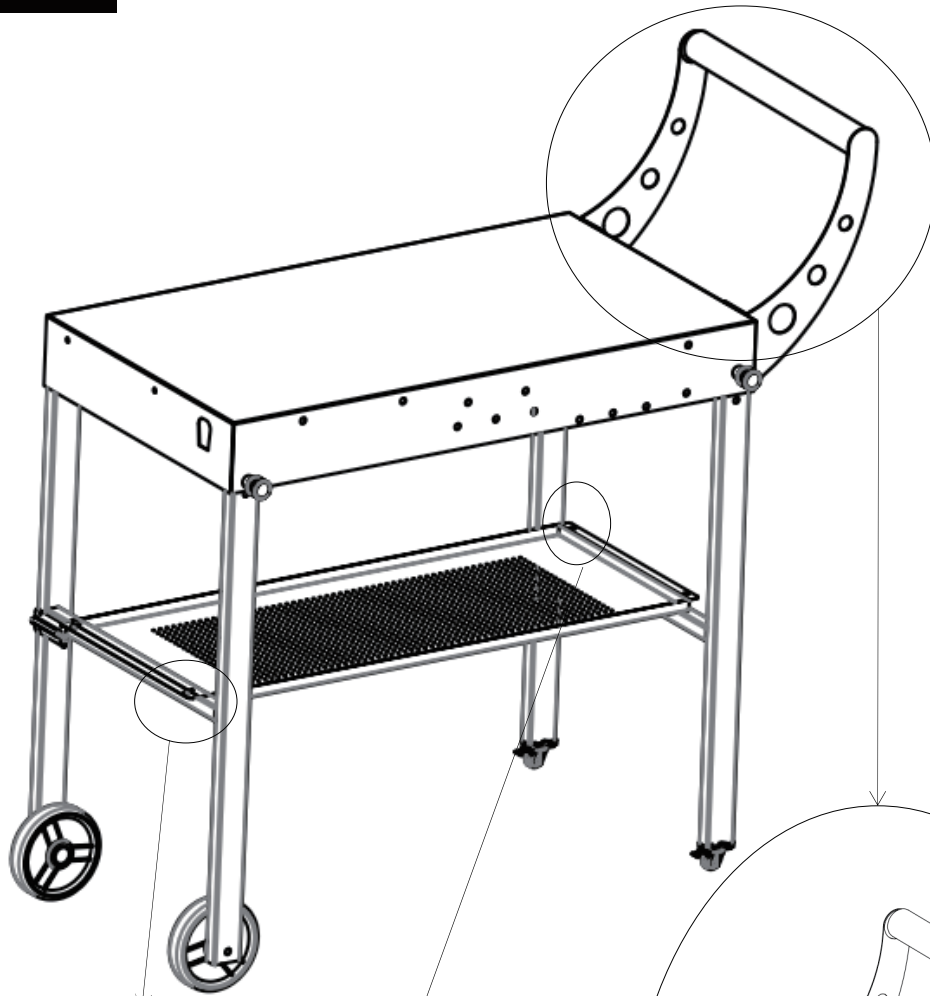
Step 5: Rotate the brake wheel (③) clockwise several times to fully secure it



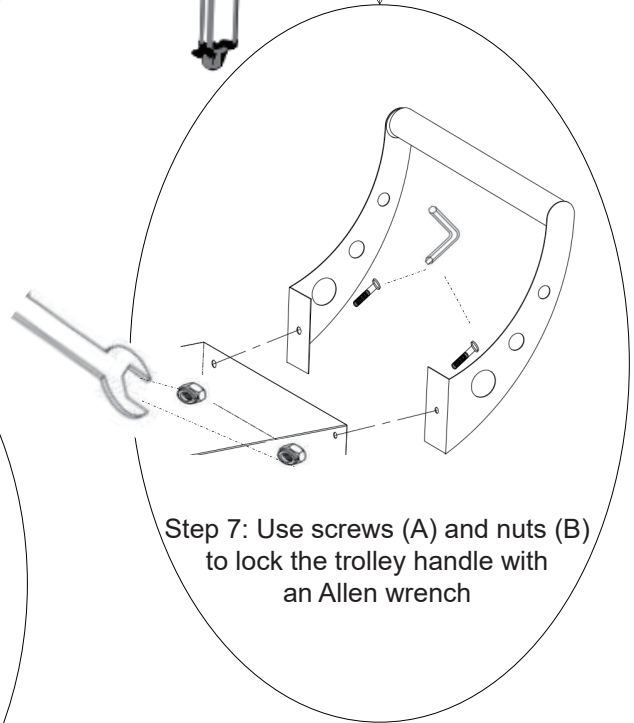
Step 6: Use the pin rod (E) to pass through the universal wheel (④) hole and the support pipe bracket hole, and then open the opening pin (F) and insert it into the pin rod slot to fix the universal wheel

Assembly Guide

Step 3



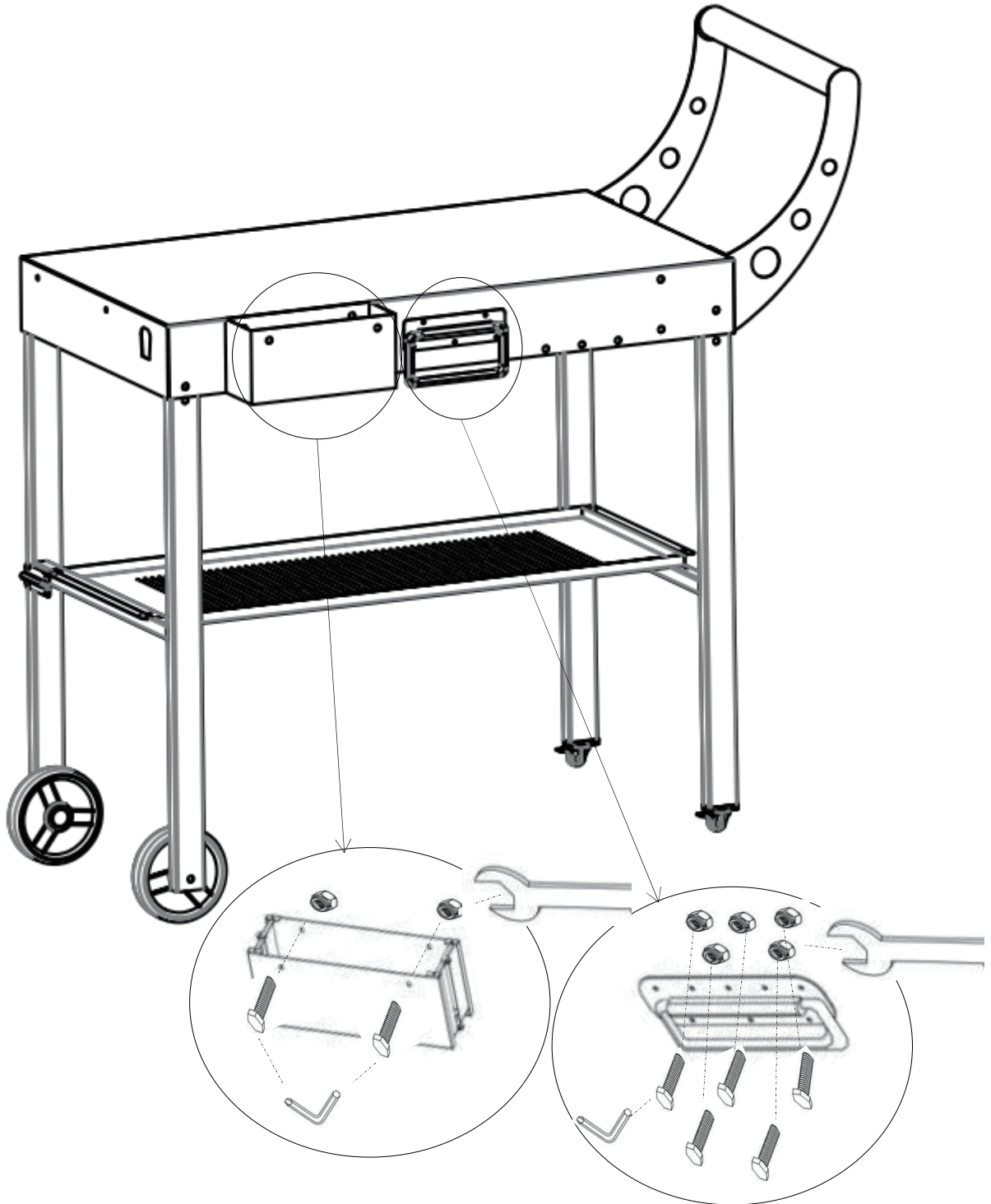
Step 8: Use earring bolts (G) and zip ties (J) to diagonally secure the tray.



Step 7: Use screws (A) and nuts (B) to lock the trolley handle with an Allen wrench

Assembly Guide

Step 4

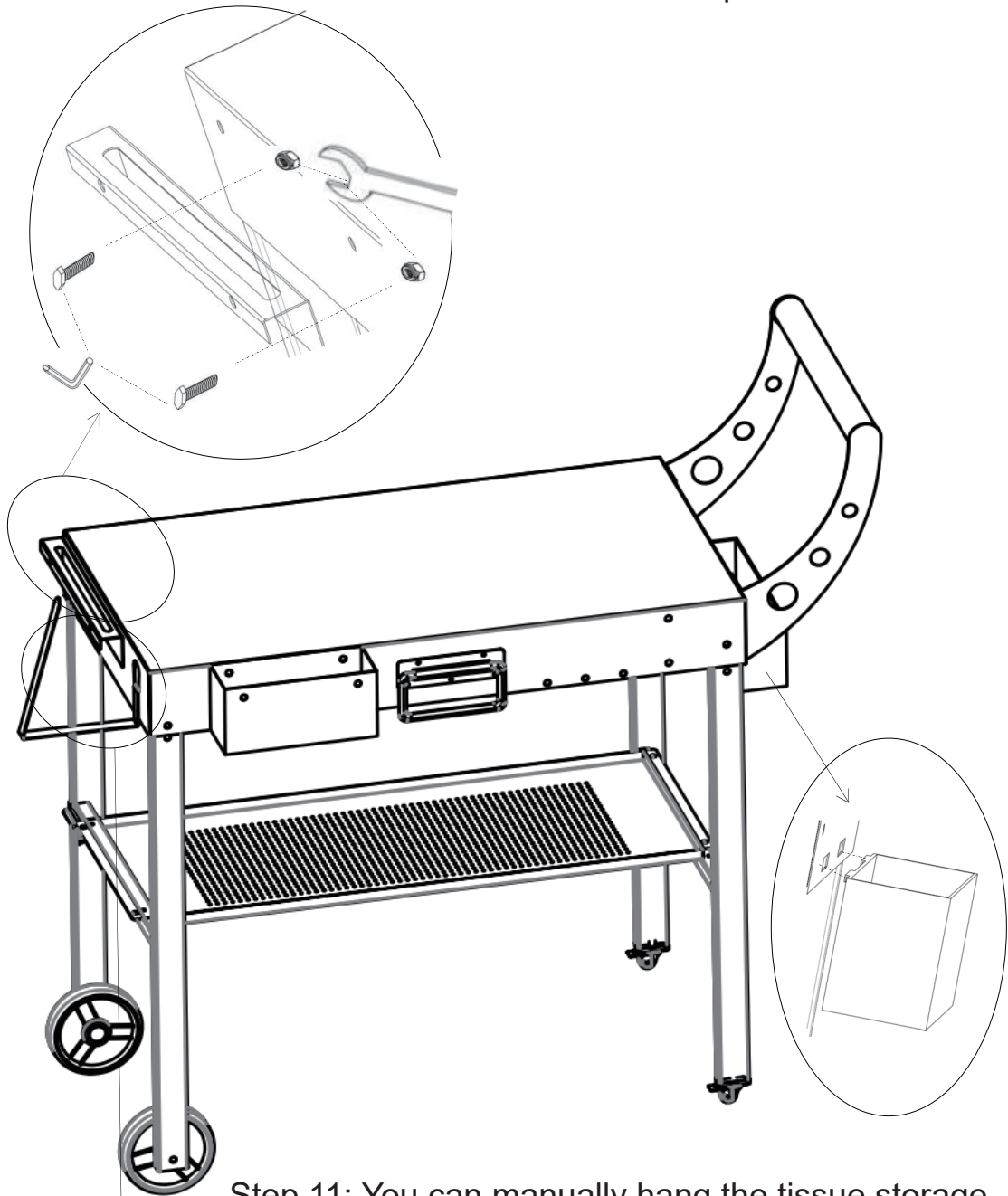


Step 9: Use screws (A) and nuts (B) respectively, and use an Allen wrench to lock the front storage box (⑤) and handle (⑧)

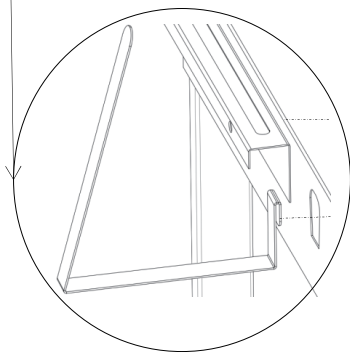
Assembly Guide

Step 5

Step 10: Use screws (A) and nuts (B) respectively, and use an Allen wrench to place the tool holder

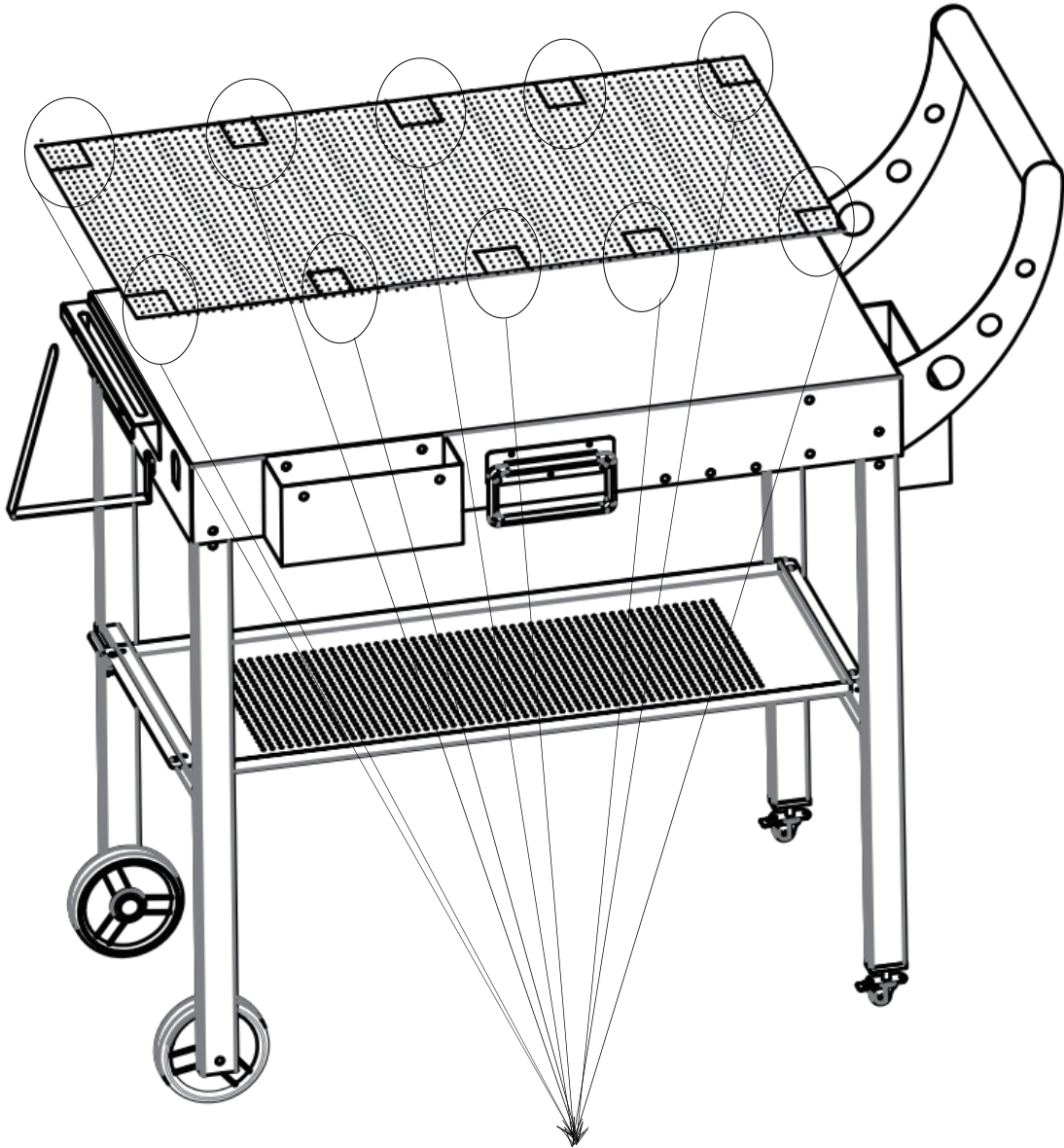


Step 11: You can manually hang the tissue storage rack (⑦) and the front storage box (⑤)



Assembly Guide

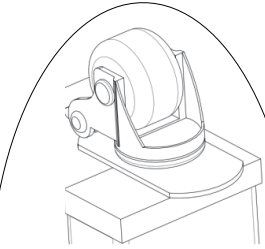
Step 6



Step 12: Paste ten pieces of 3M adhesive (I) onto the back of the felt cloth (K), and then paste them onto a horizontal tabletop

Assembly Guide

Step 7



Attention: When folding the pipe support frame, the brake wheel needs to rotate clockwise at a 90 degree angle to the pipe support frame to ensure the locking of the pin

