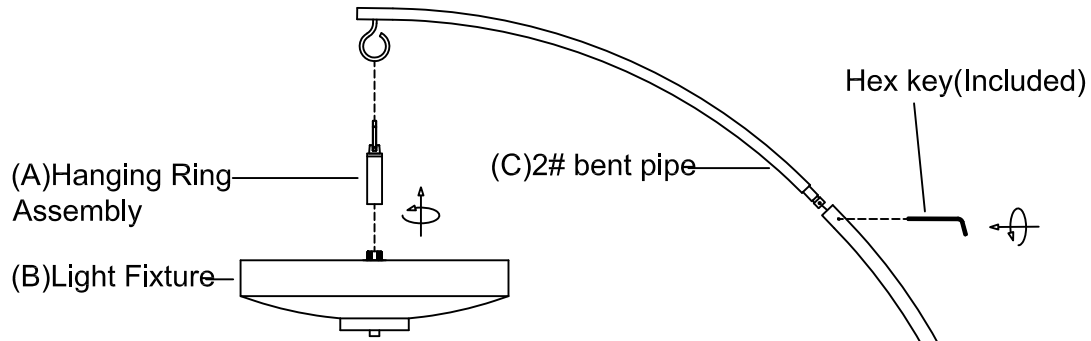
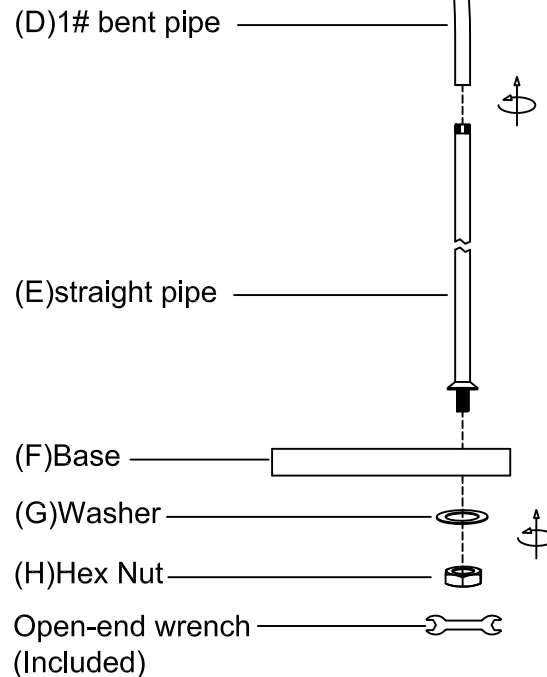
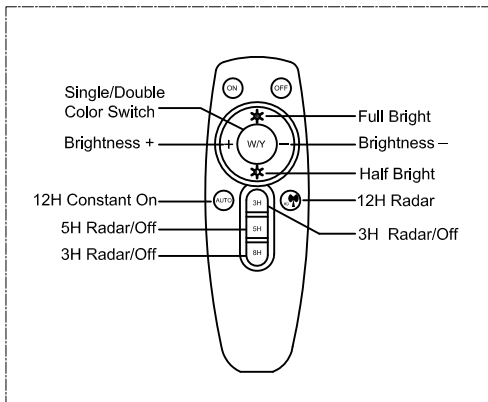


ASSEMBLY AND INSTALLATION INSTRUCTIONS



Assembly Sequence:

1. C-----D
2. E-----D
3. F.G.H-----E
4. B-----A
5. A-----C



1. Use a wrench to secure the straight tube tightly to the base.
2. Attach the elbow tube to the straight tube in sequence and fasten it with a hex wrench.
3. Secure the lifting ring to the lamp body and hang it onto the hook of the elbow tube.
4. Press and hold the switch on the lamp body for 3 seconds.

The AUTO button activates Auto Mode. When pressed, the light will automatically turn on at dark and remain illuminated until the OFF button is pressed or the battery is fully discharged. In this mode, pressing the 3H/5H/8H timer buttons will cause the light to automatically shut off after being on for 3/5/8 hours respectively.

The RD button activates Radar Sensor Mode. When pressed, the light will automatically turn on at dark at a low brightness level (10% of full brightness). Upon detecting human movement, it will switch to full brightness and stay fully lit as long as motion continues. After no further motion is detected, it will automatically revert to low brightness after 15 seconds. In this mode, after pressing the 3H/5H/8H timer buttons, the light will remain on constantly for 3/5/8 hours respectively before switching to Radar Sensor Mode.