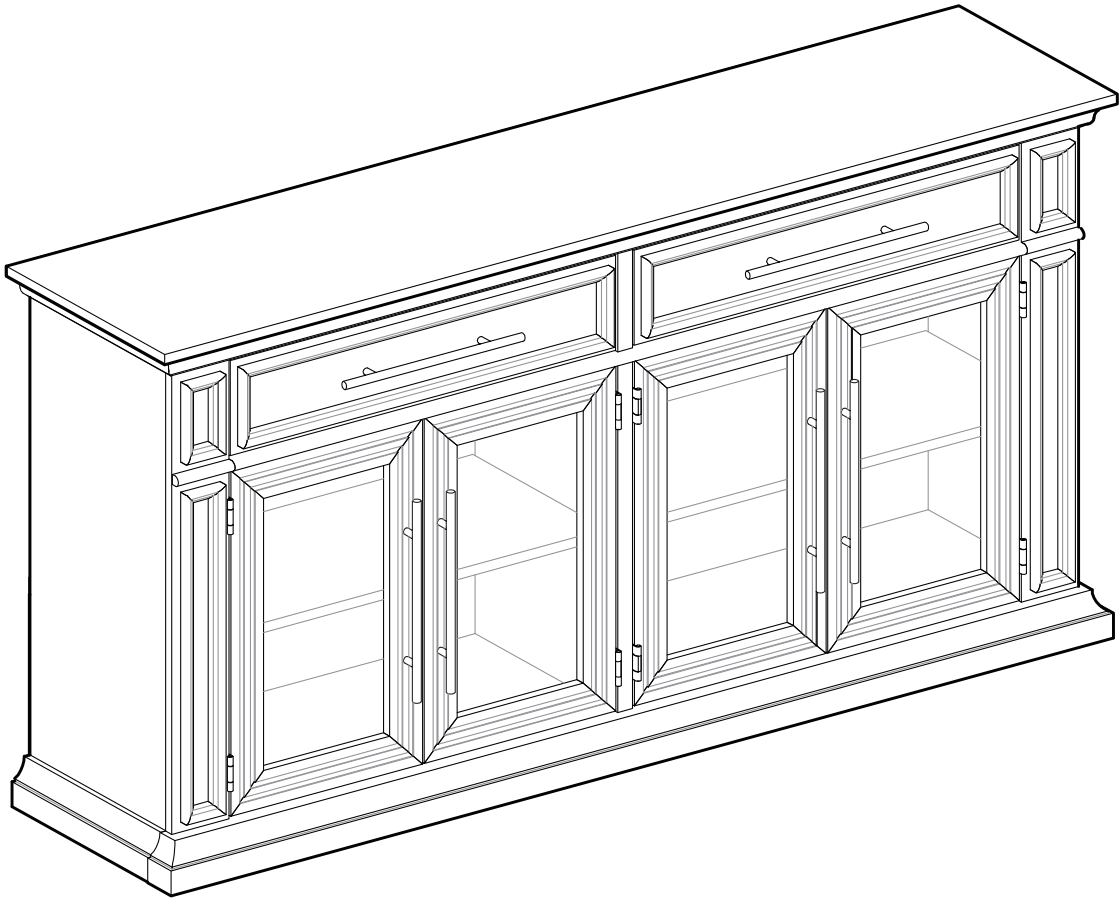
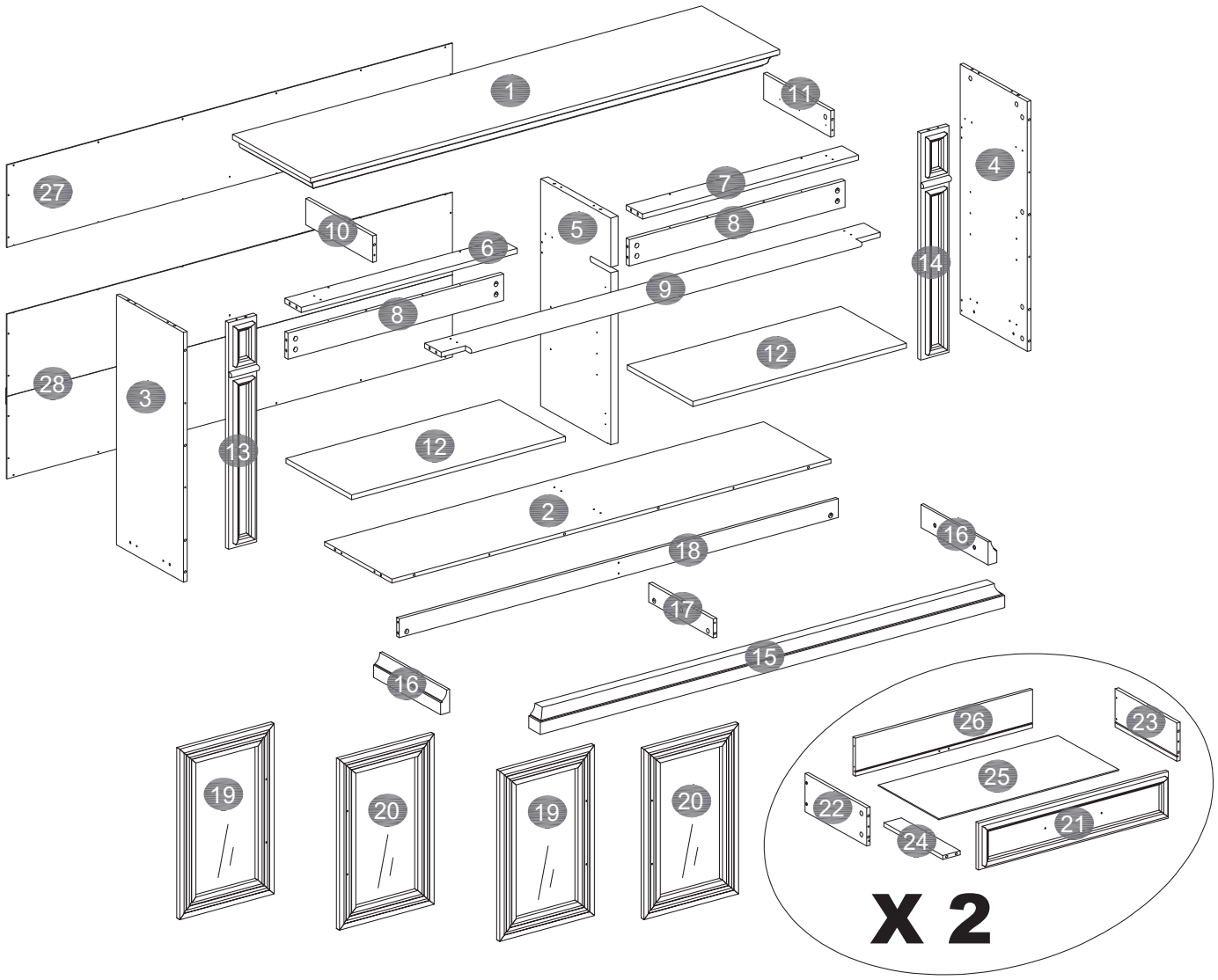


# CUSTOMER MANUAL

-V0.2

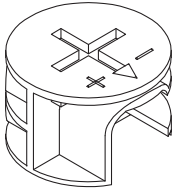


# ASSEMBLY STRUCTURE REFERENCE DIAGRAM



# PARTS

A



**X 69+2**

B



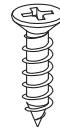
**X 69+2**

C



$\text{Ø}6 \times 30\text{mm}$   
**X 44+2**

D



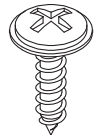
$\text{Ø}3 \times 12 \times 6\text{mm}$   
**X 32+2**

E



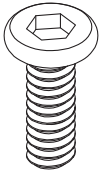
**X 4**

F



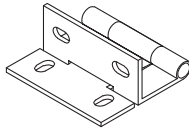
$\text{Ø}3 \times 14\text{mm}$   
**X 33+2**

G



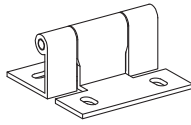
$\text{M}6 \times 25\text{mm}$   
**X 4**

H



**X 4**

I



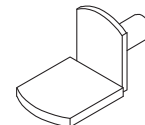
**X 4**

J



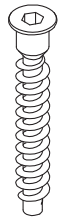
$\text{Ø}3.5 \times 12\text{mm}$   
**X 32+2**

K



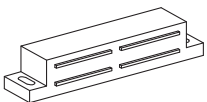
**X 8+1**

L



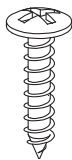
**X 8+1**

M



**X 2**

N



$\text{Ø}3 \times 18\text{mm}$   
**X 4**

O



**X 6**

P



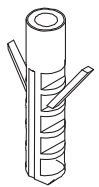
$\text{Ø}4 \times 20\text{mm}$   
**X 12**

Q



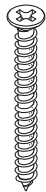
**X 2**

R



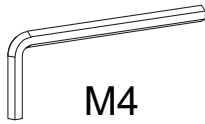
**X 2**

S



Ø4 x 35mm  
X 14+1

T



M4

X 1

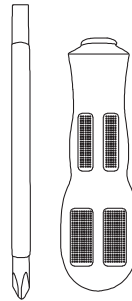
U



M3

X 1

V

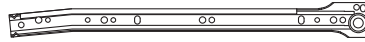


X 1

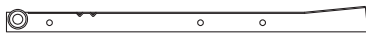
W



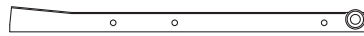
CL X 2



CR X 2



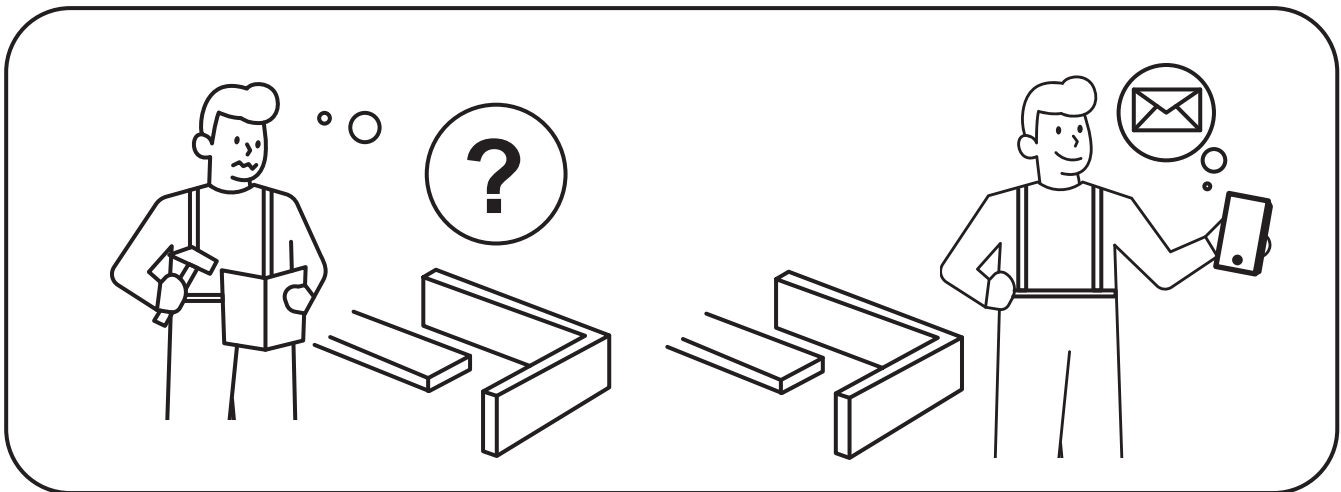
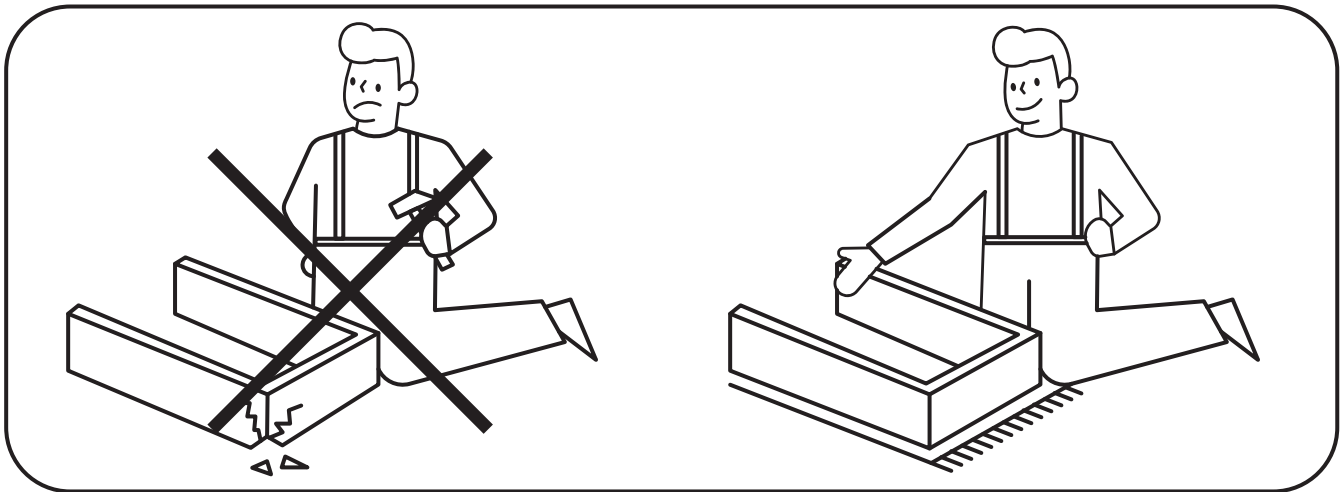
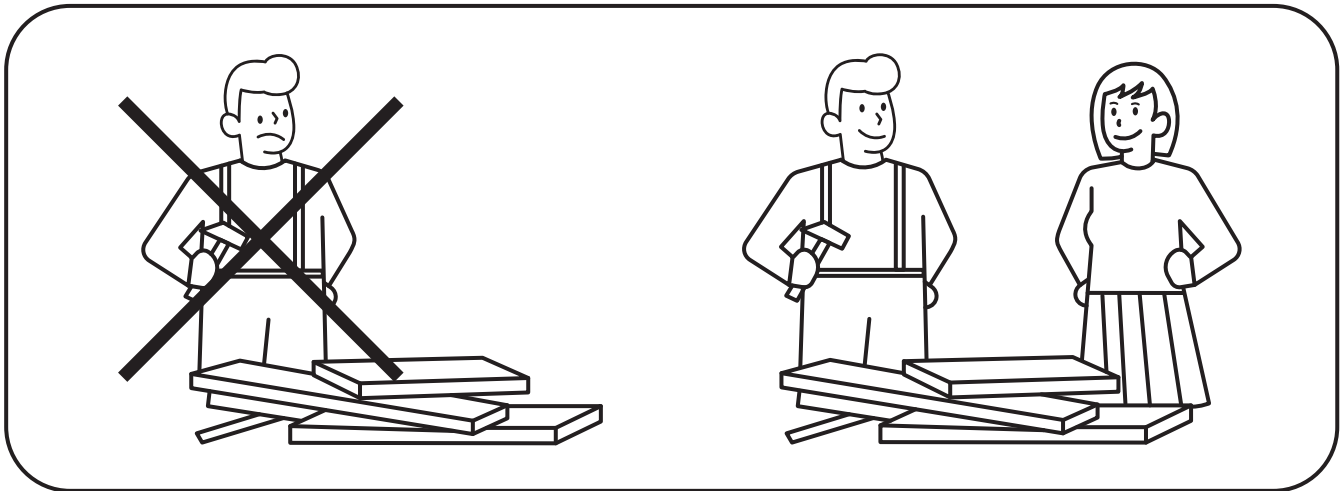
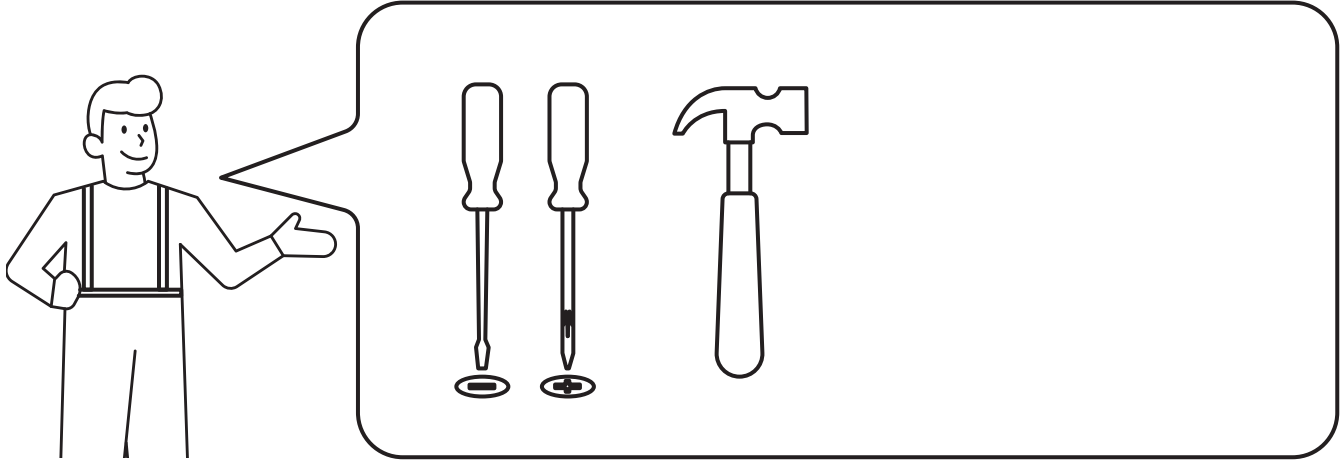
DL X 2



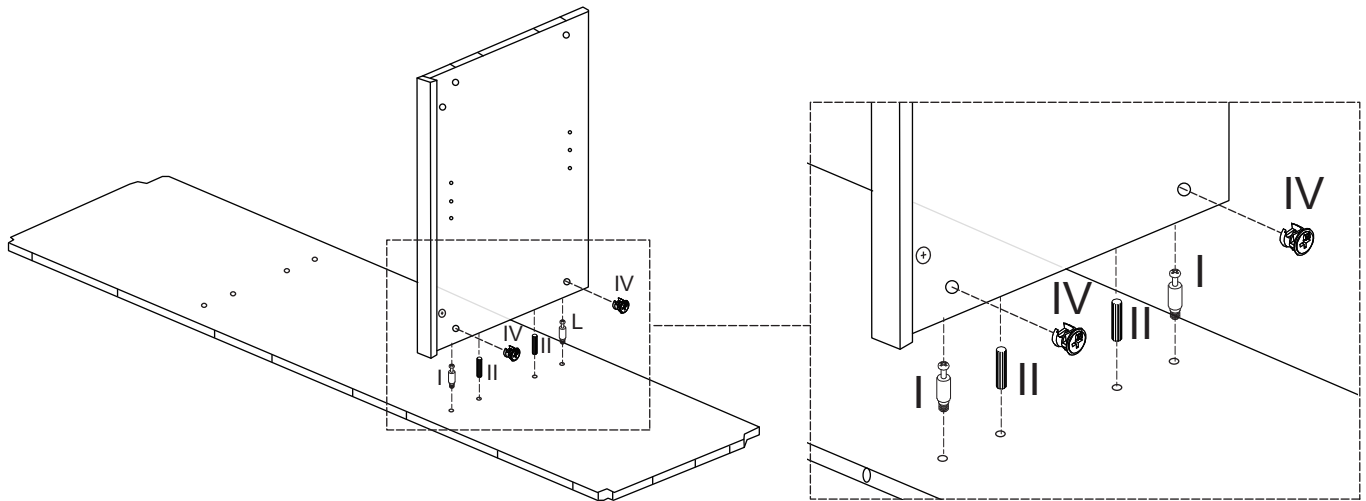
DR X 2

Attention: there are 4 kinds of slides in our product, in which 2 are **Boards slides**, which marked as **CL & CR** and contains 2 pieces respectively, and the other 2 are the **Drawer slides**, which marked as **DL & DR** and contains 2 pieces respectively.

The hardware quantities listed above are required for proper assembly. Some extra hardware may also have been included.

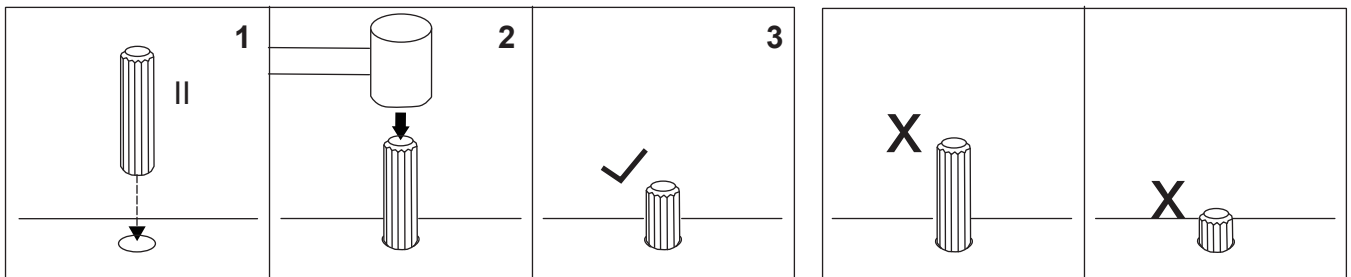


## How to work the Knock Down (kd) assembly system

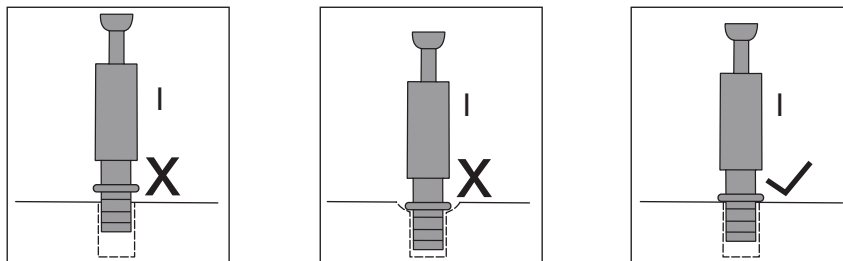


## How to install Wood Dowel

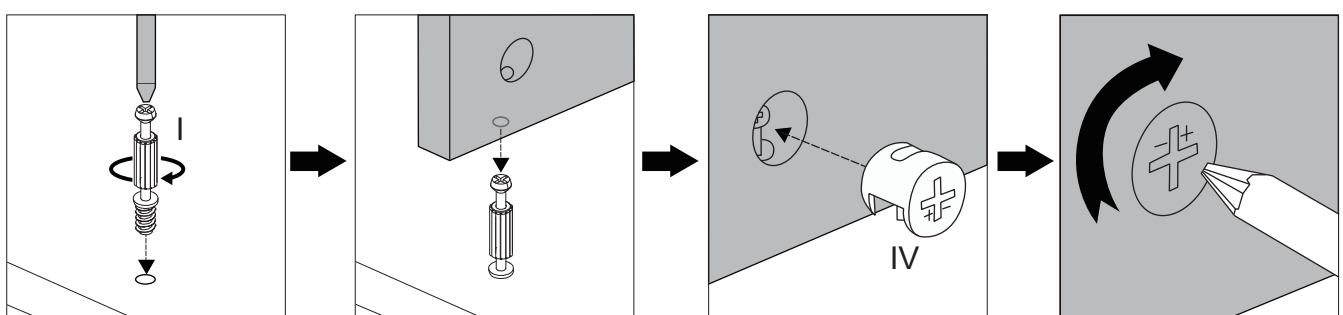
Insert the wood dowel [II] at least half way by tapping lightly with a rubber mallet, IF NECESSARY.



## How to use the Cam Lock system



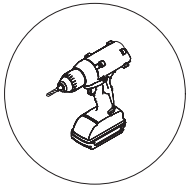
1. Screw the cam bolt [I] into the threaded insert on the panel.
2. Connect both panels together making sure cam bolt [I] goes into the pre-drilled large hole on the end of panel for cam lock [IV].
3. Insert the cam lock [IV] into the pre-drilled large hole on the panel. **Make sure the cross slot of cam lock [IV] faces out.**
4. Rotate the cam lock [IV] **clockwise** with a self-supplied philips screwdriver to lock the cam bolt [I] in place.



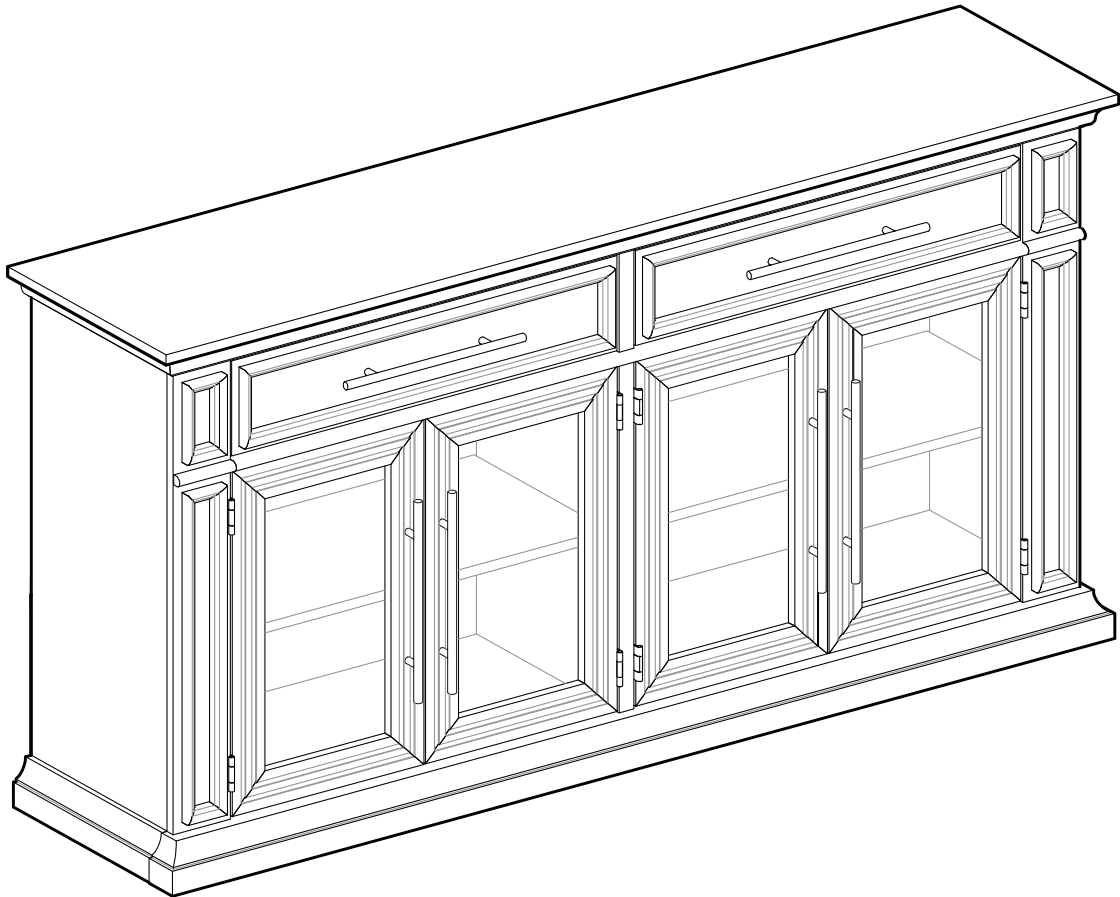
# You are now ready to assemble the Sideboard

**It is divided into three parts in total:**

1. Install the main frame
2. Install the drawers
3. Install the doors

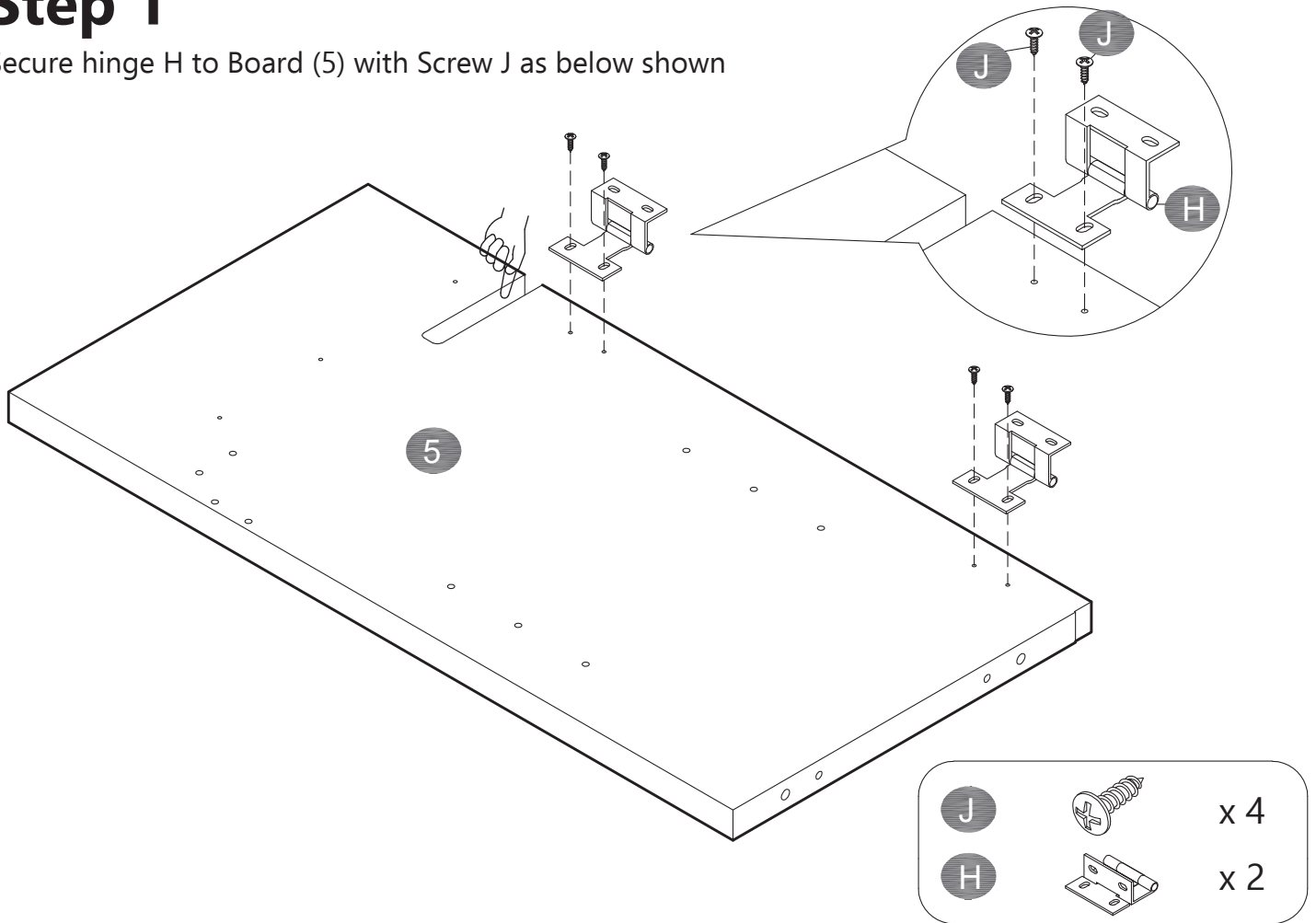


We recommend using a power drill to assemble.



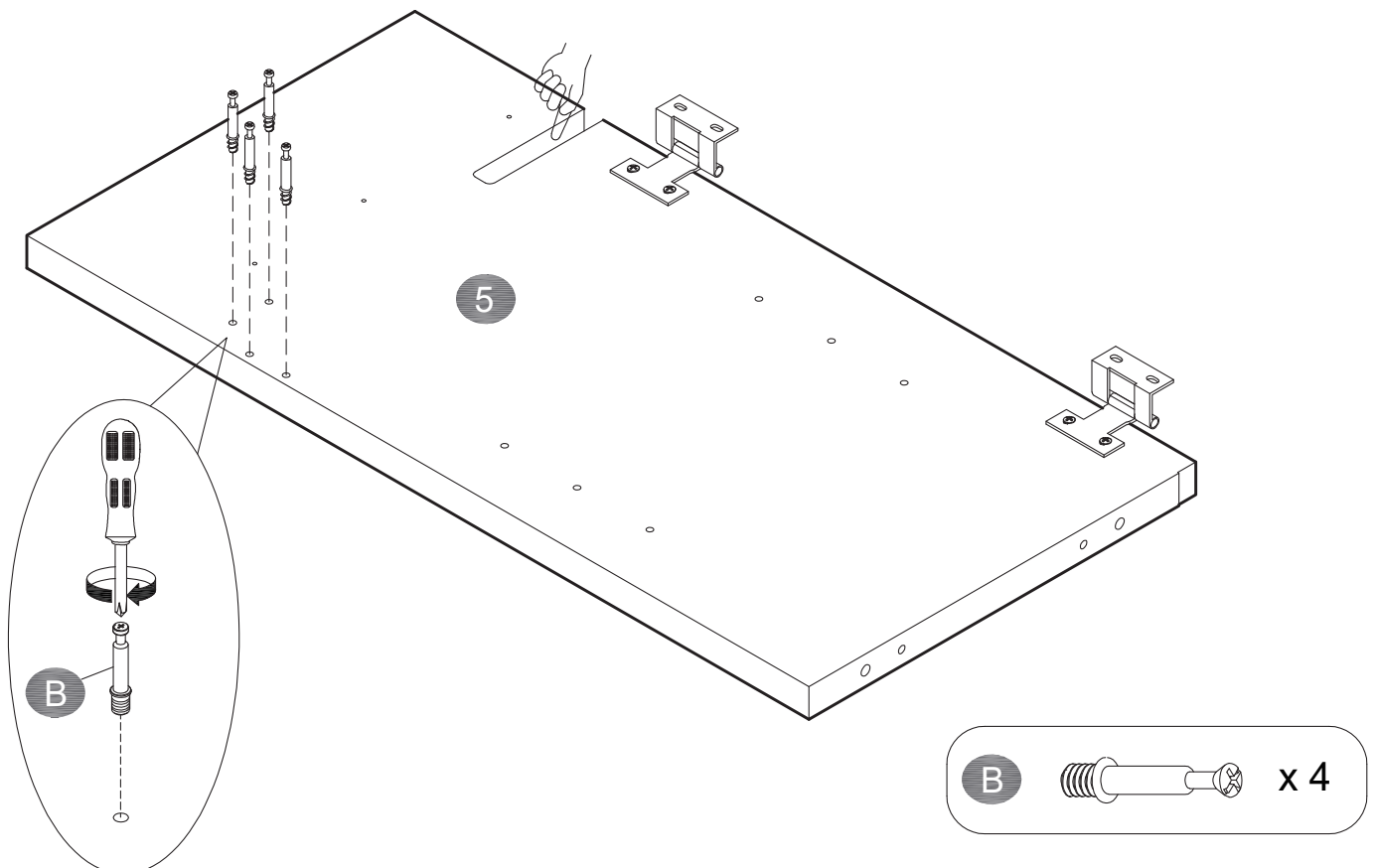
# Step 1

Secure hinge H to Board (5) with Screw J as below shown



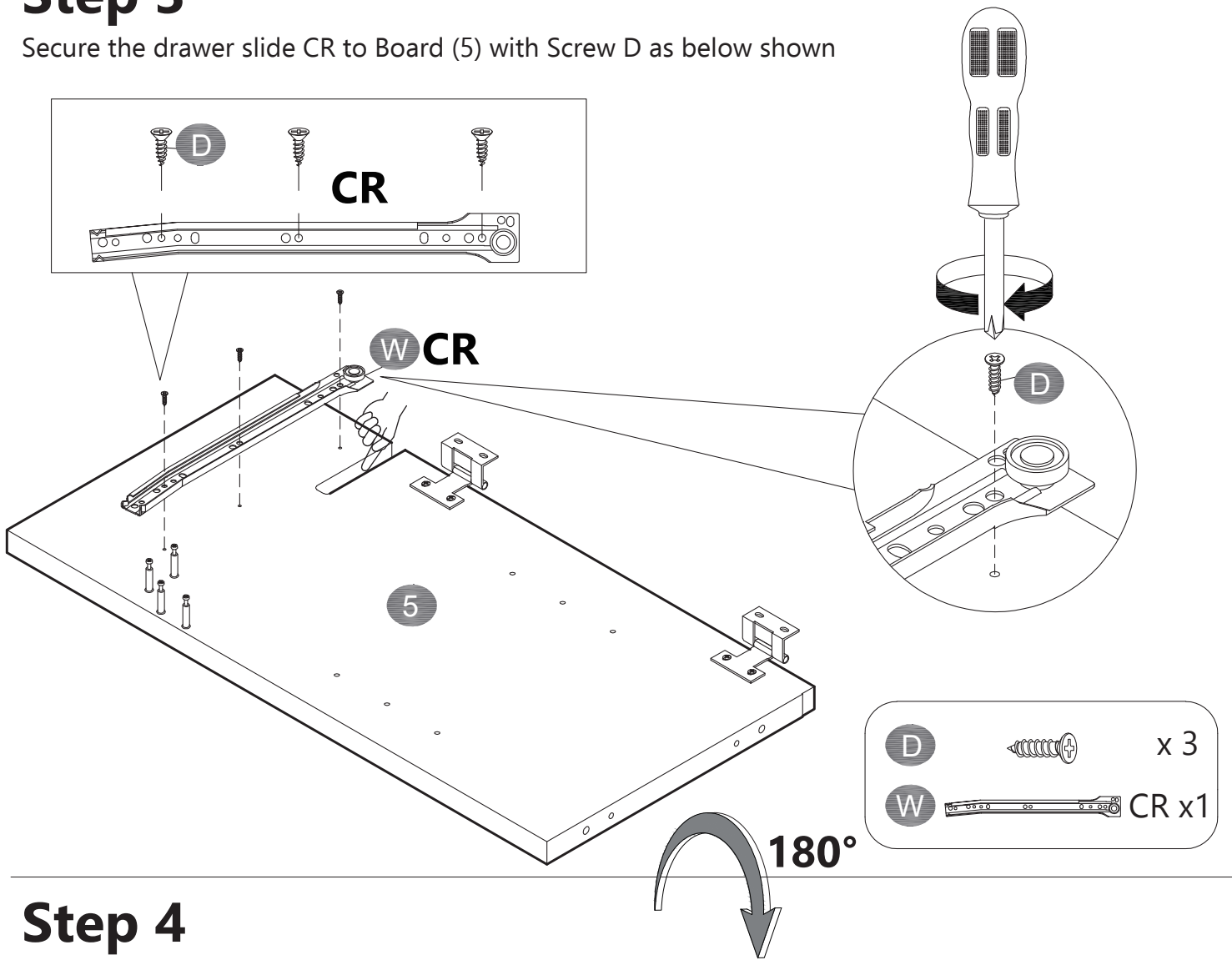
# Step 2

Screw B to Board (5) as below shown



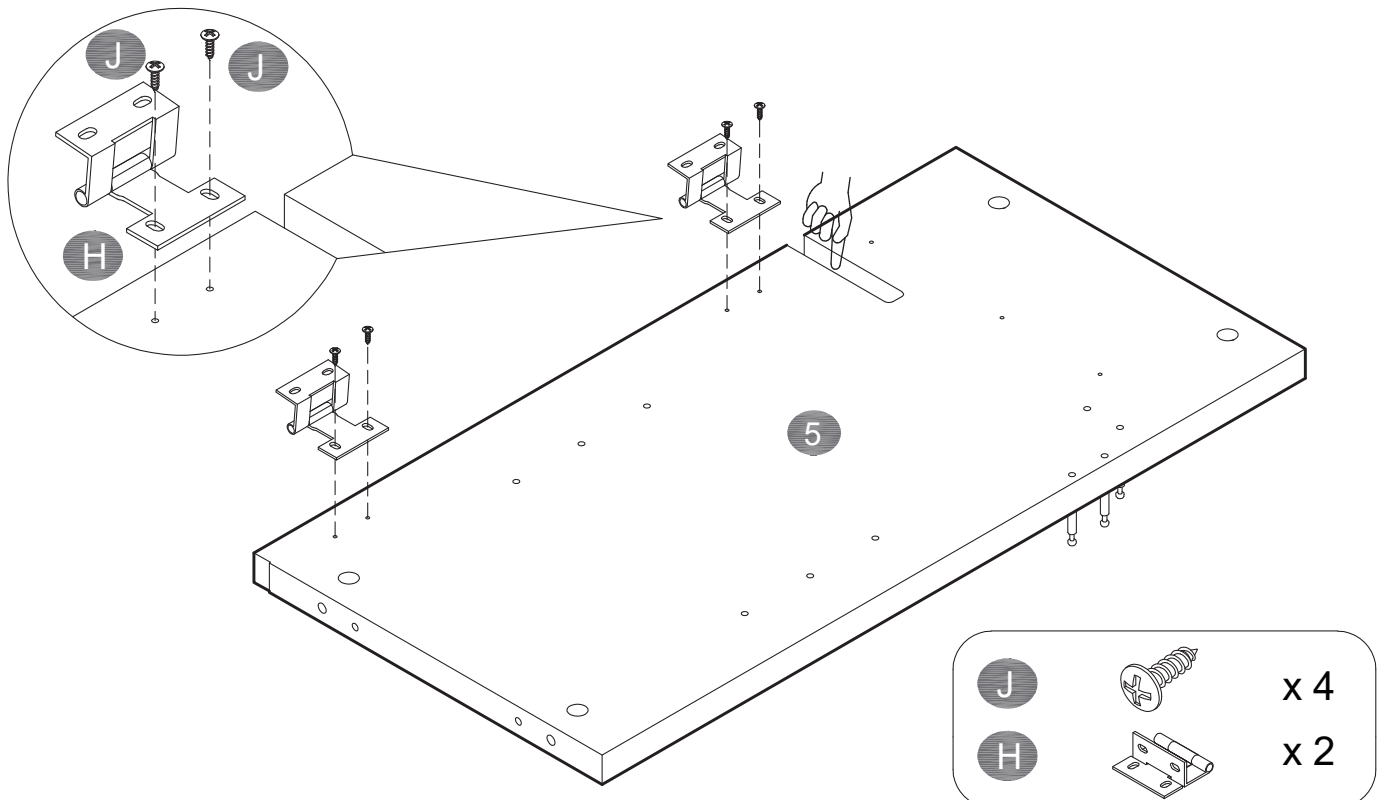
# Step 3

Secure the drawer slide CR to Board (5) with Screw D as below shown



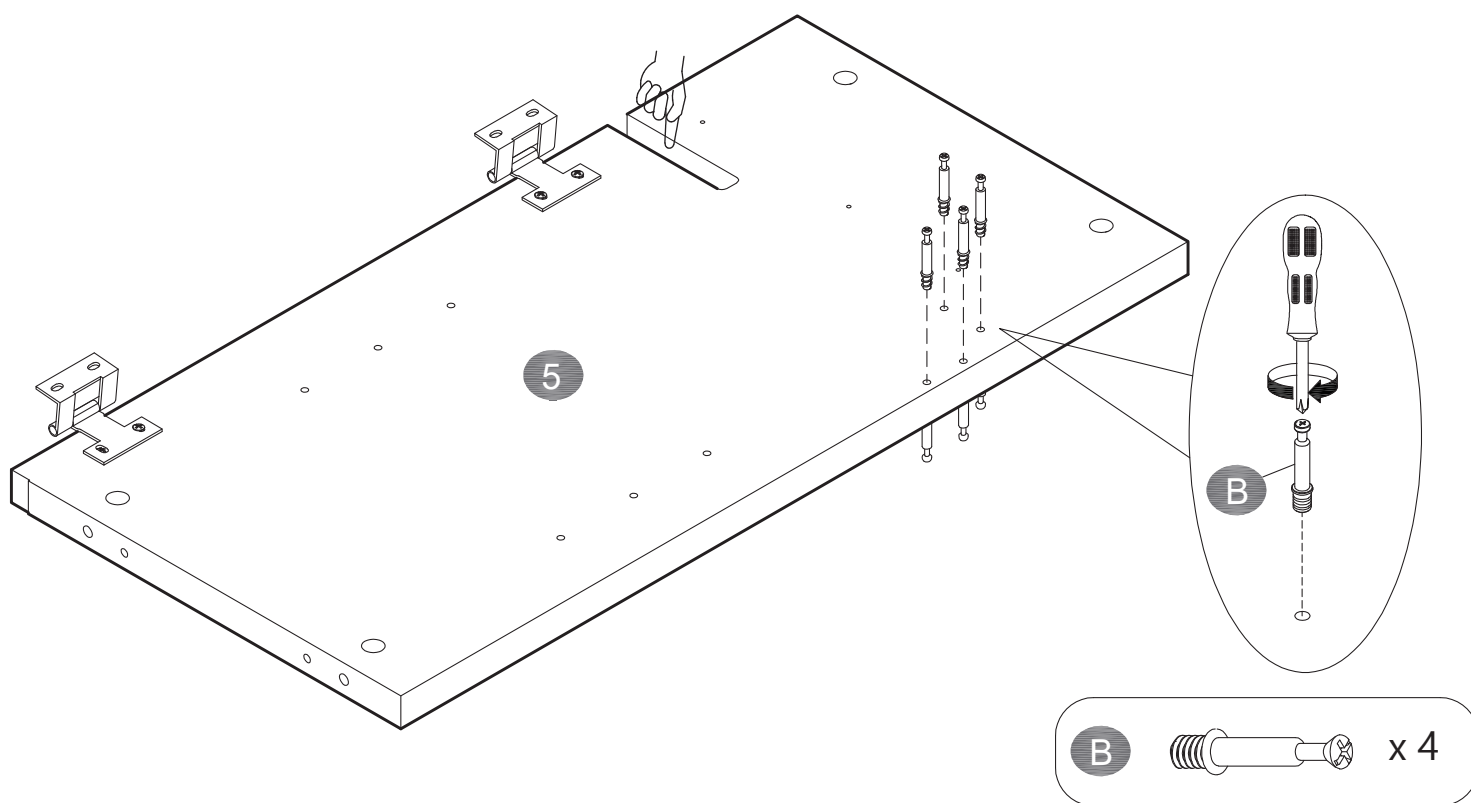
# Step 4

Secure hinge H to Board (5) with Screw J as below shown



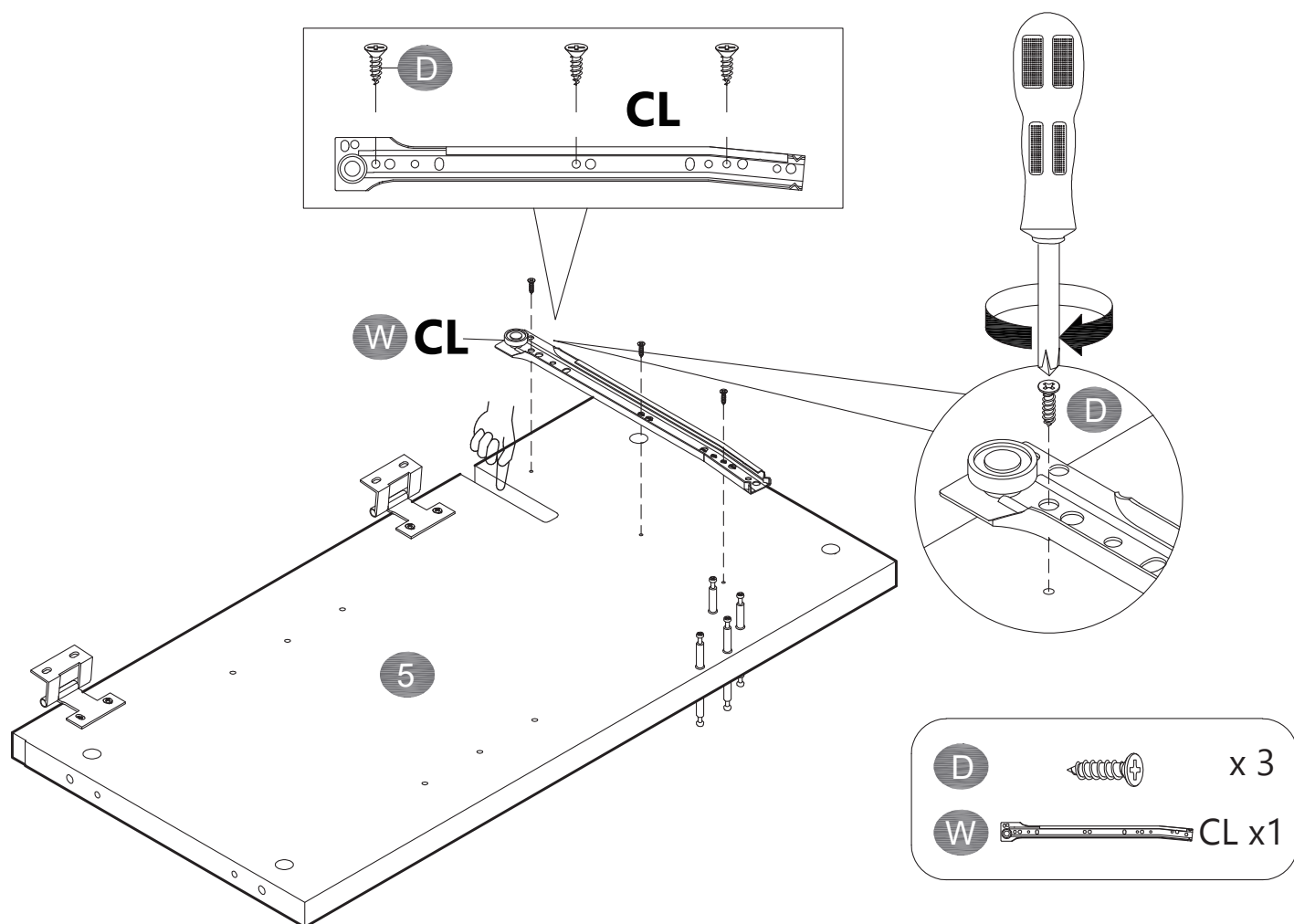
# Step 5

Screw B to Board (5) as below shown



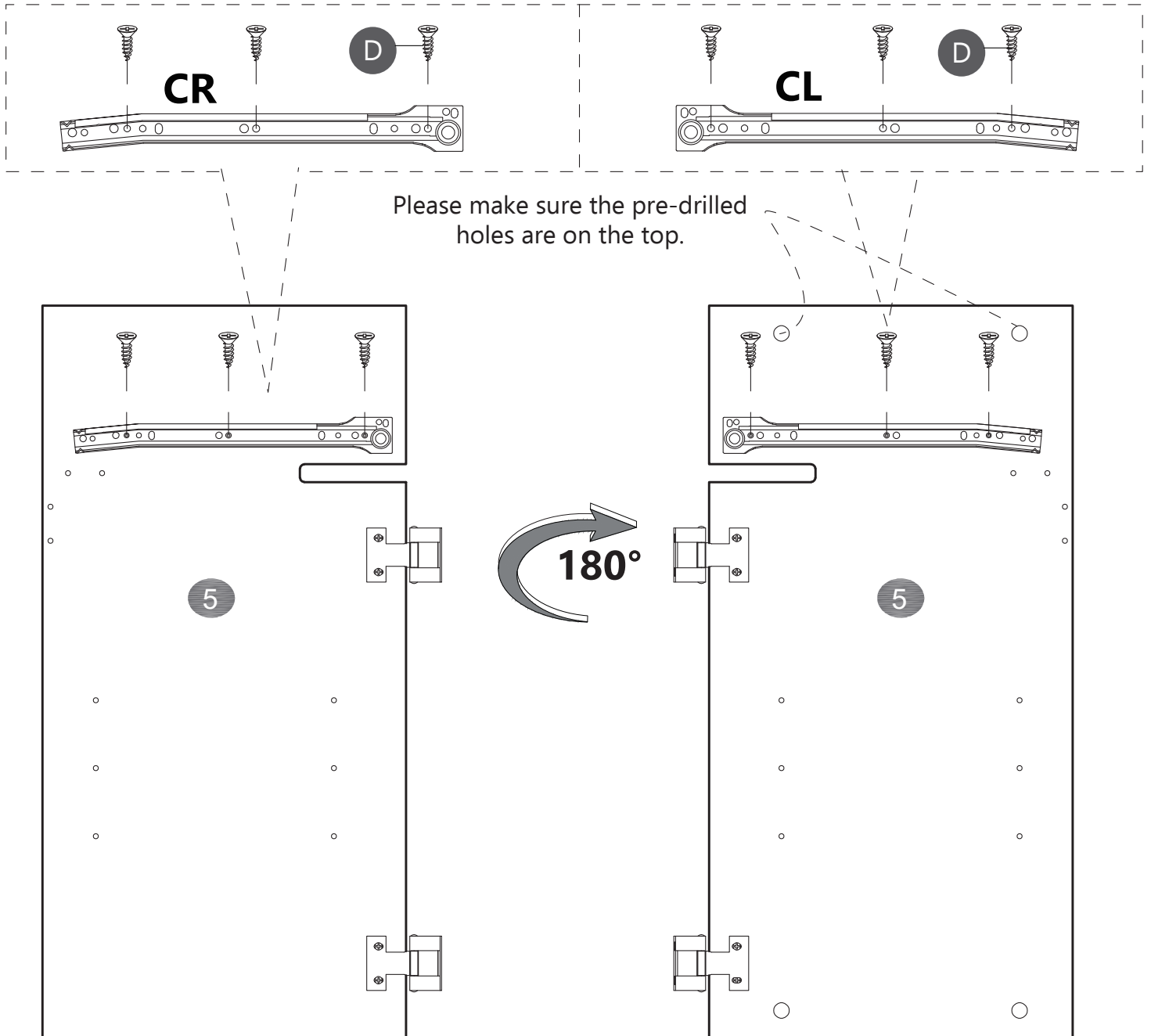
# Step 6

Secure the drawer slide CL to Board (5) with Screw D as below shown



# Display. Non-installation steps

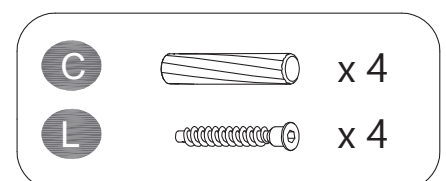
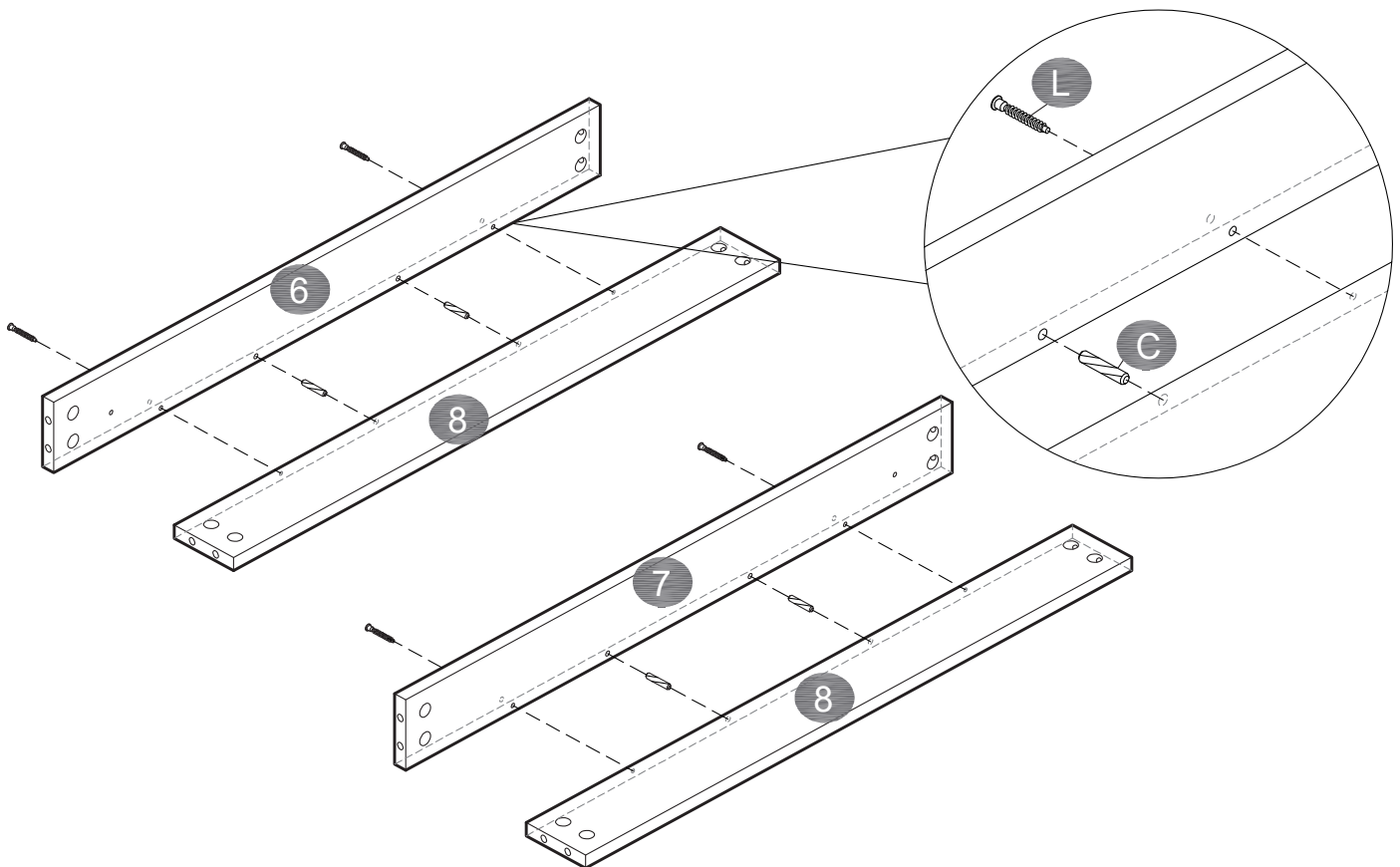
Reference to the completion of the installation:  
checking the position of the slides and screws in the board.



**TIP: The screws for the slide must be tightened very tightly, and don't tilt the screws, otherwise the drawers will get stuck and won't fit in.**

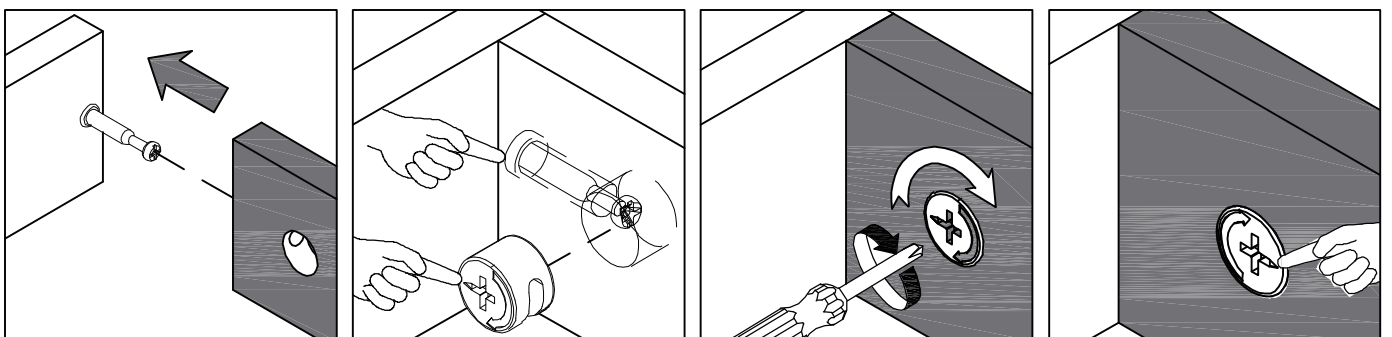
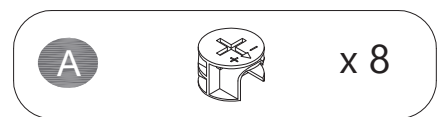
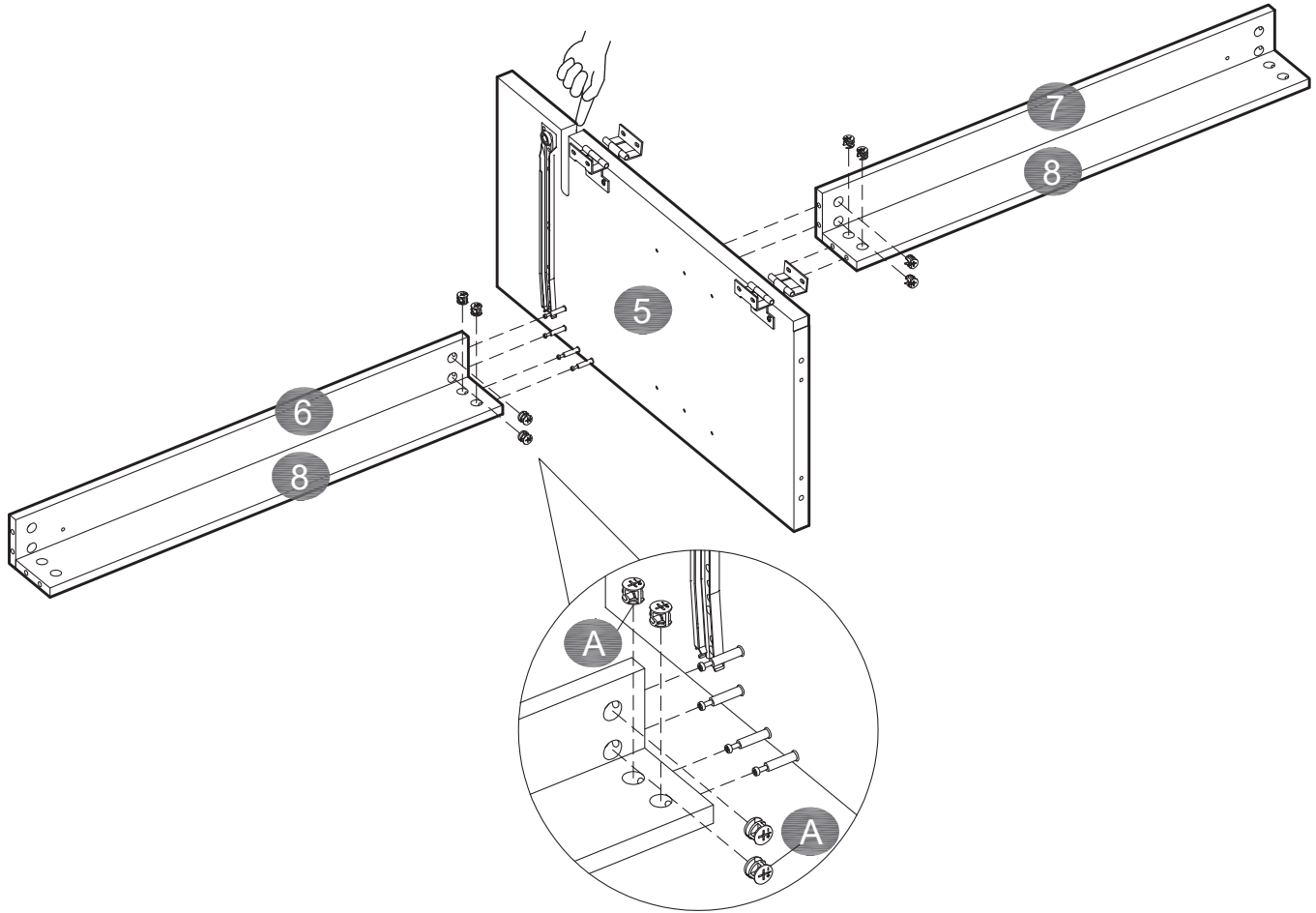
# Step 7

Insert the Dowel C into the Board (8) as below shown  
Board (6) locked to (8) with Screw L as below shown  
Board (7) locked to (8) with Screw L as below shown



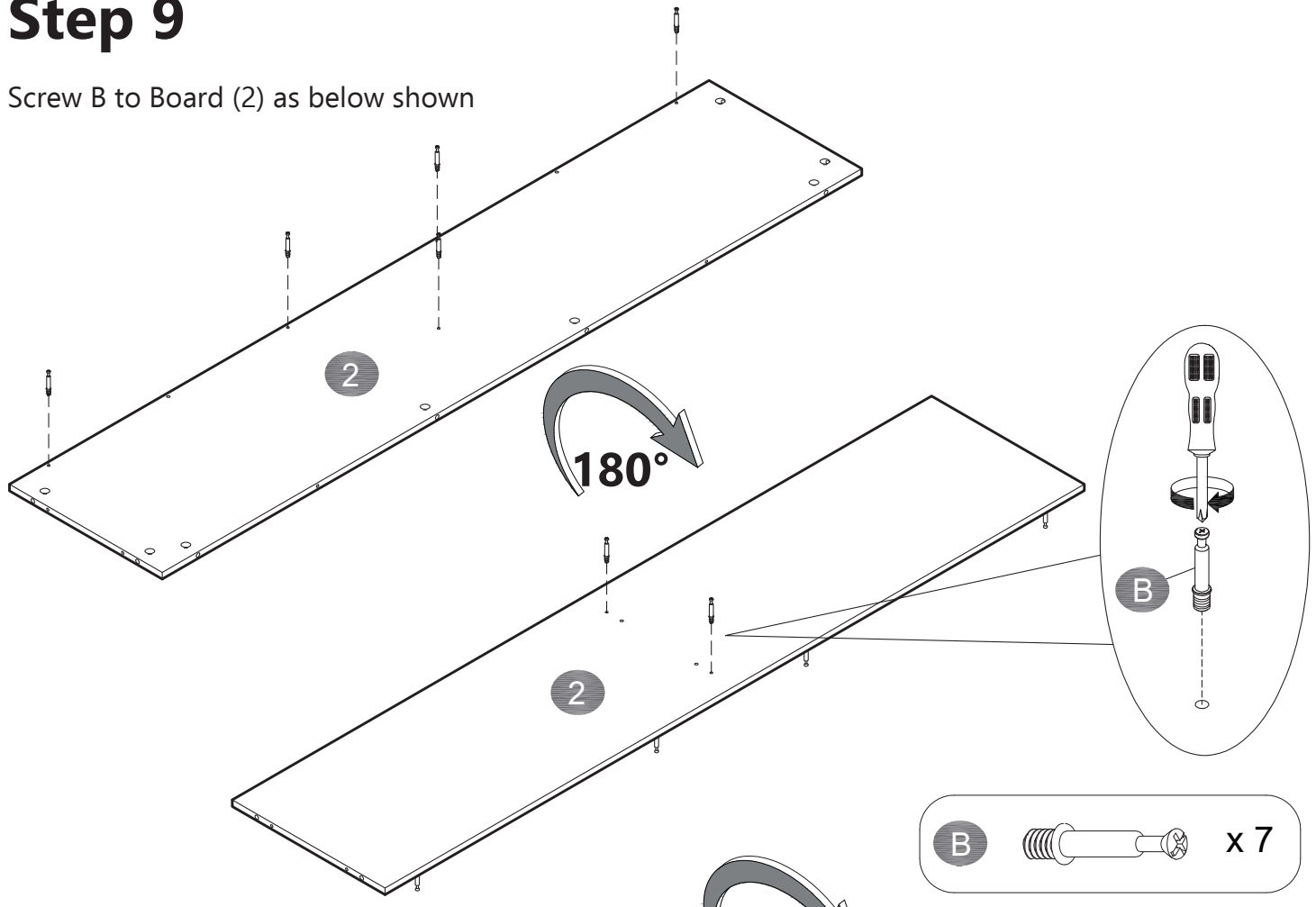
# Step 8

Board (6)&(8) locked to (5) with Screw A as below shown  
Board (7)&(8) locked to (5) with Screw A as below shown



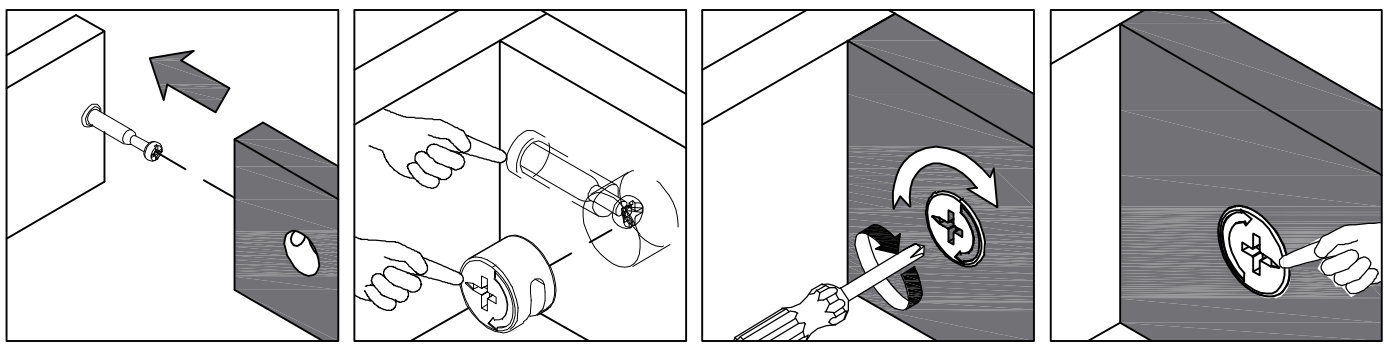
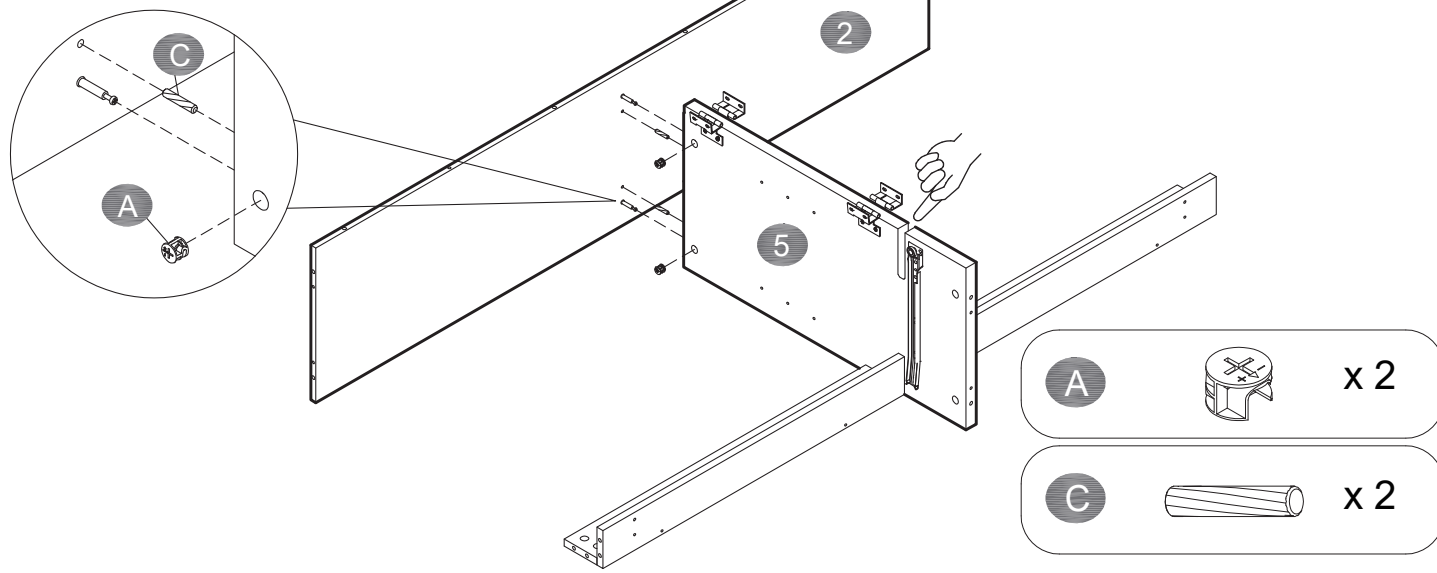
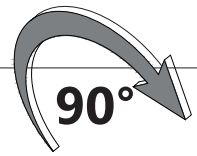
# Step 9

Screw B to Board (2) as below shown



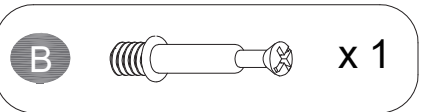
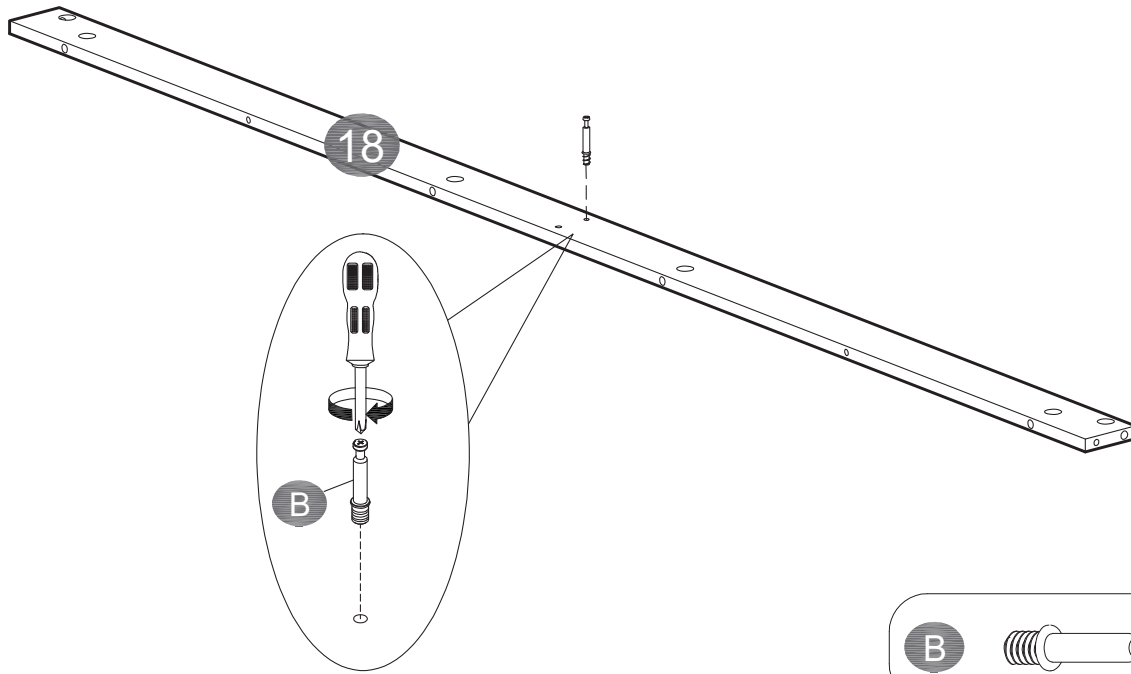
# Step 10

Insert the Dowel C into the Board (5) as below shown  
Board (2) locked to (5) with Screw A as below shown



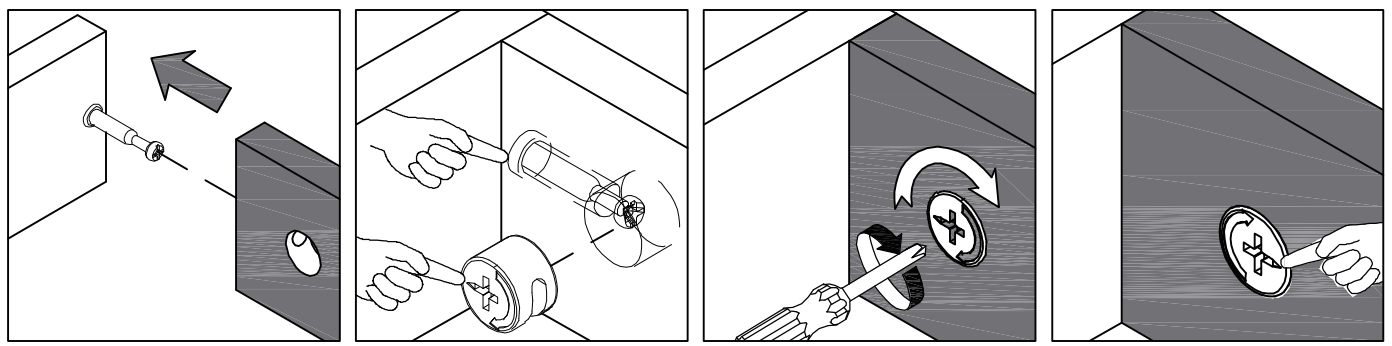
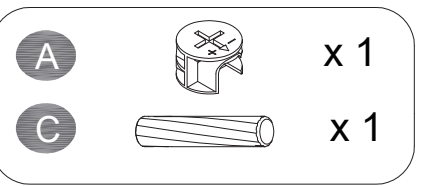
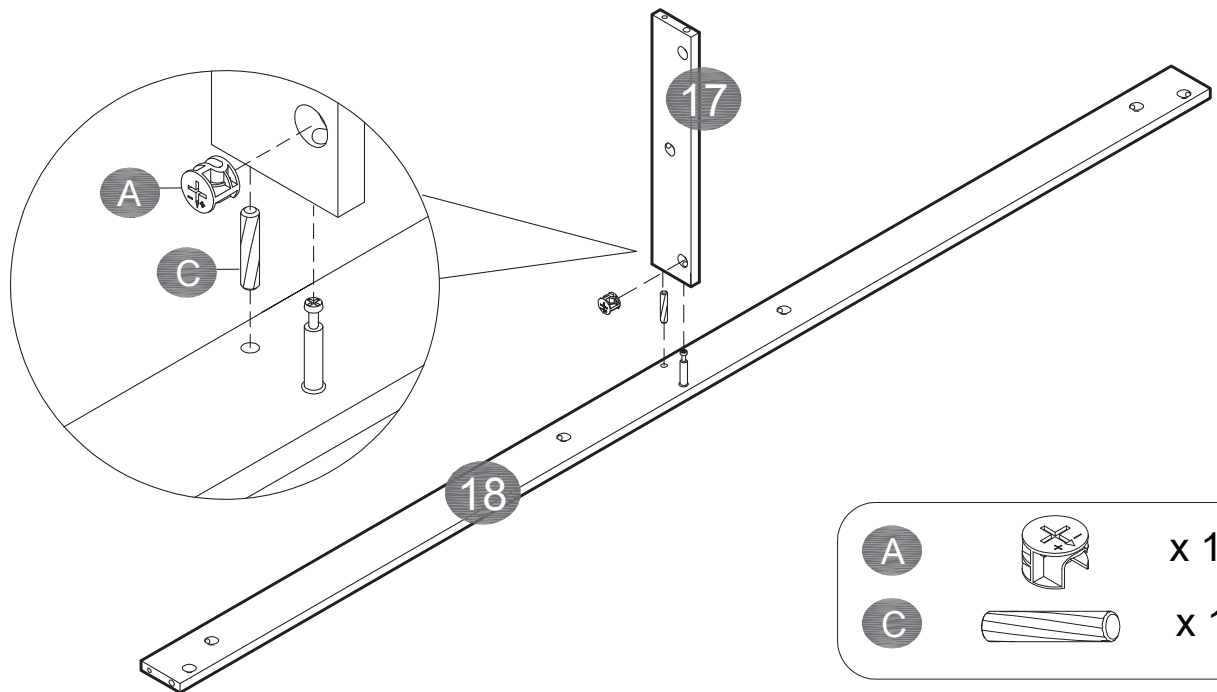
# Step 11

Screw B to Board (18) as below shown



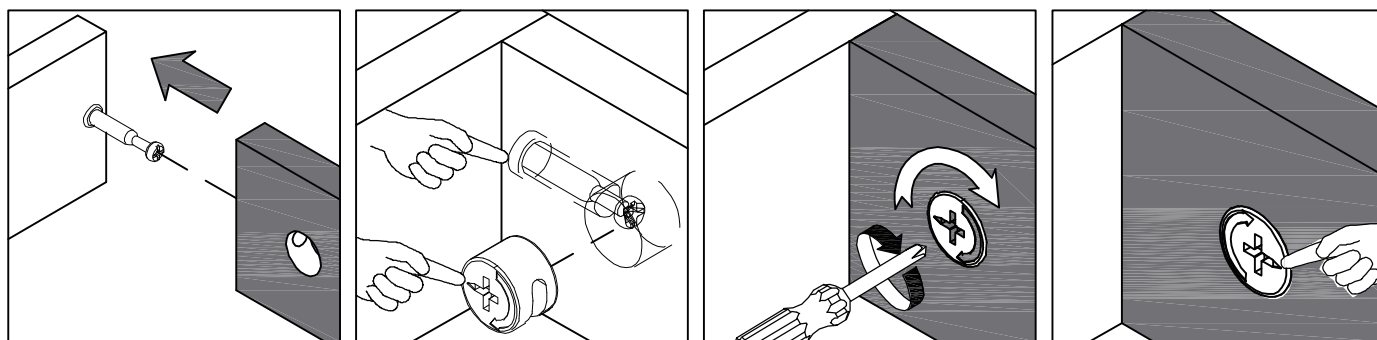
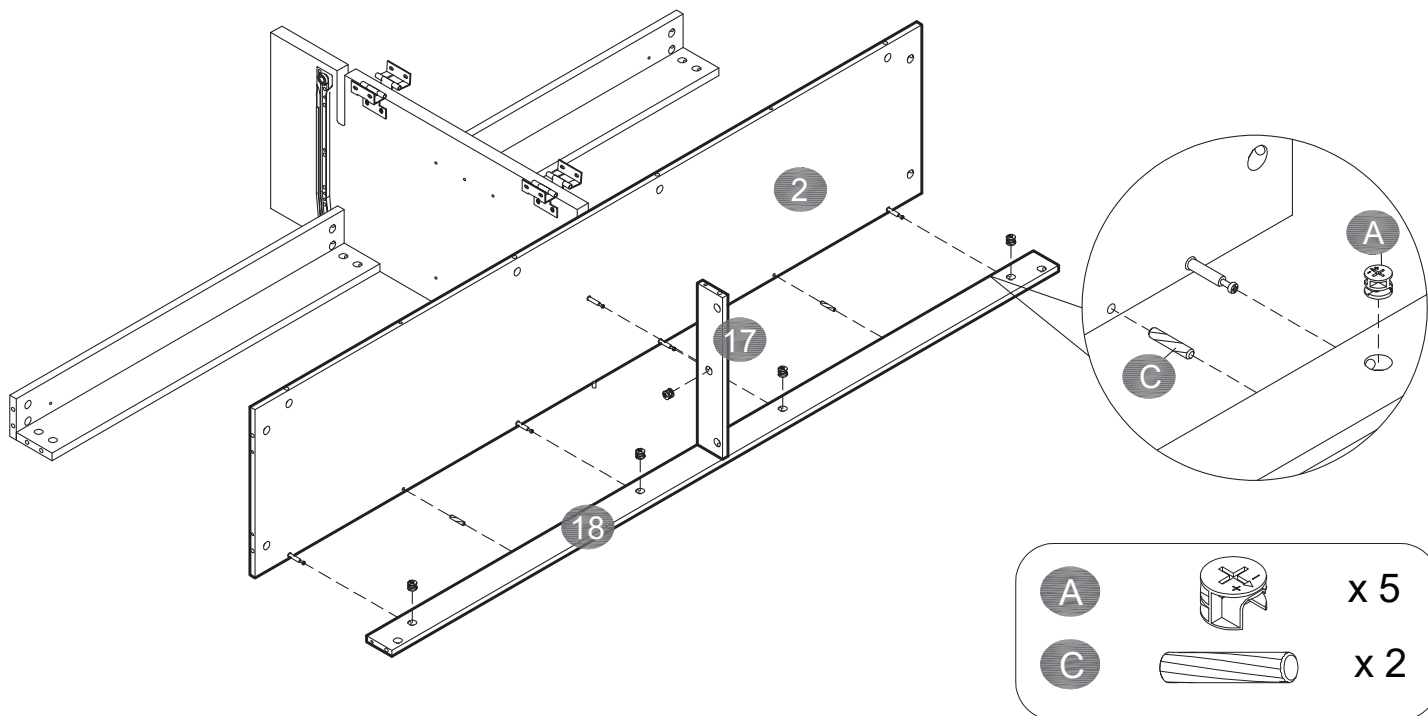
# Step 12

Insert the Dowel C into the Board (18) as below shown  
Board (17) locked to (18) with Screw A as below shown



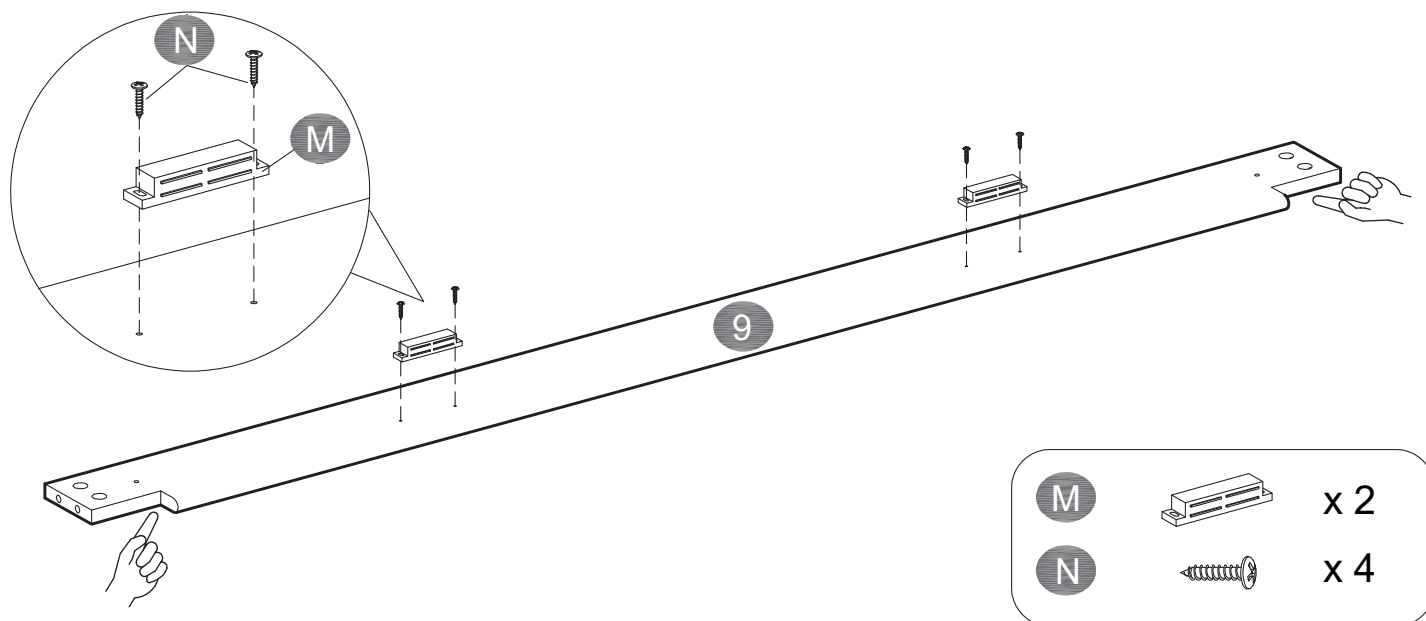
# Step 13

Insert the Dowel C into the Board (2) as below shown  
Board (17) & (18) locked to Board (2) with Screw A as below shown



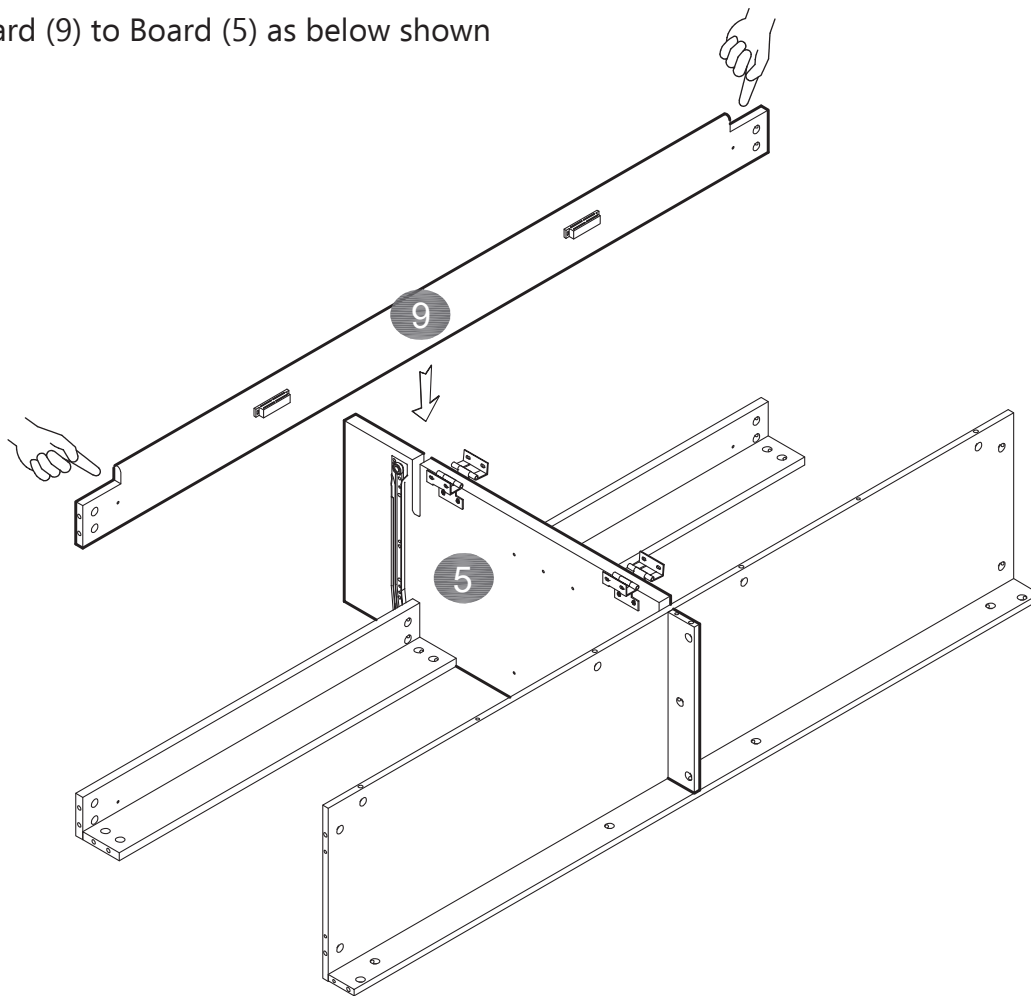
# Step 14

Secure M to Board (9) with Screw N as below shown



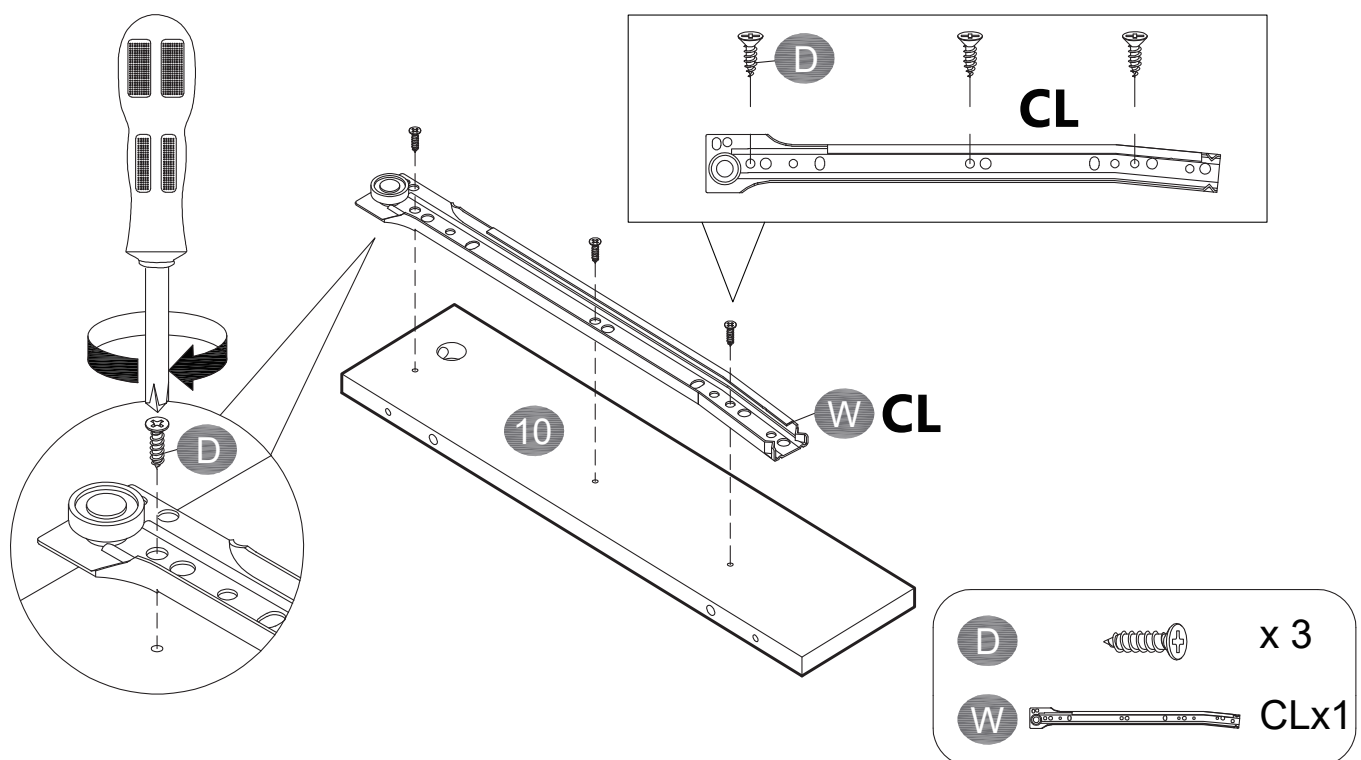
# Step 15

Attach Board (9) to Board (5) as below shown



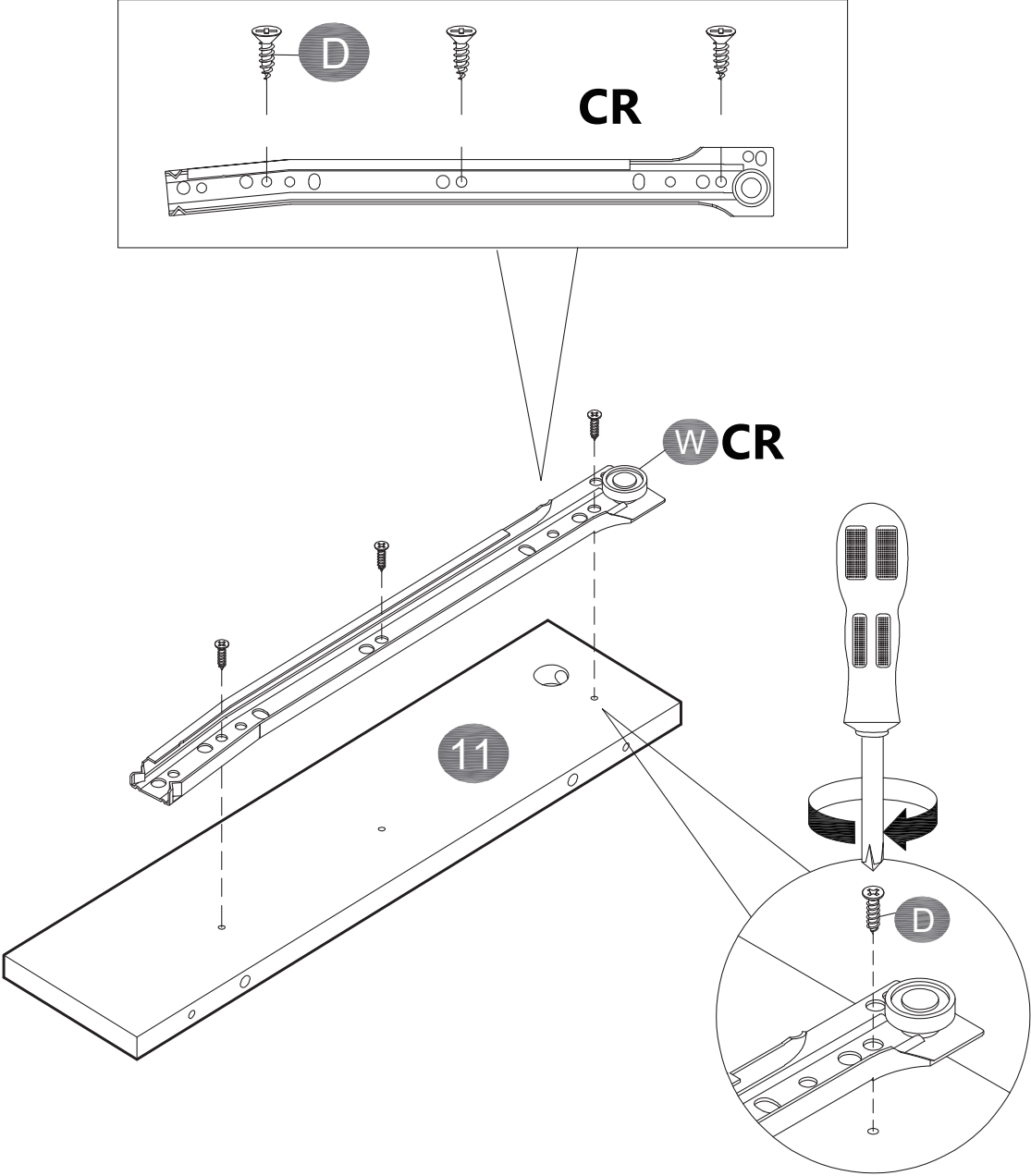
# Step 16



Secure the drawer slide CL to Board (10) with Screw D as below shown



# Step 17

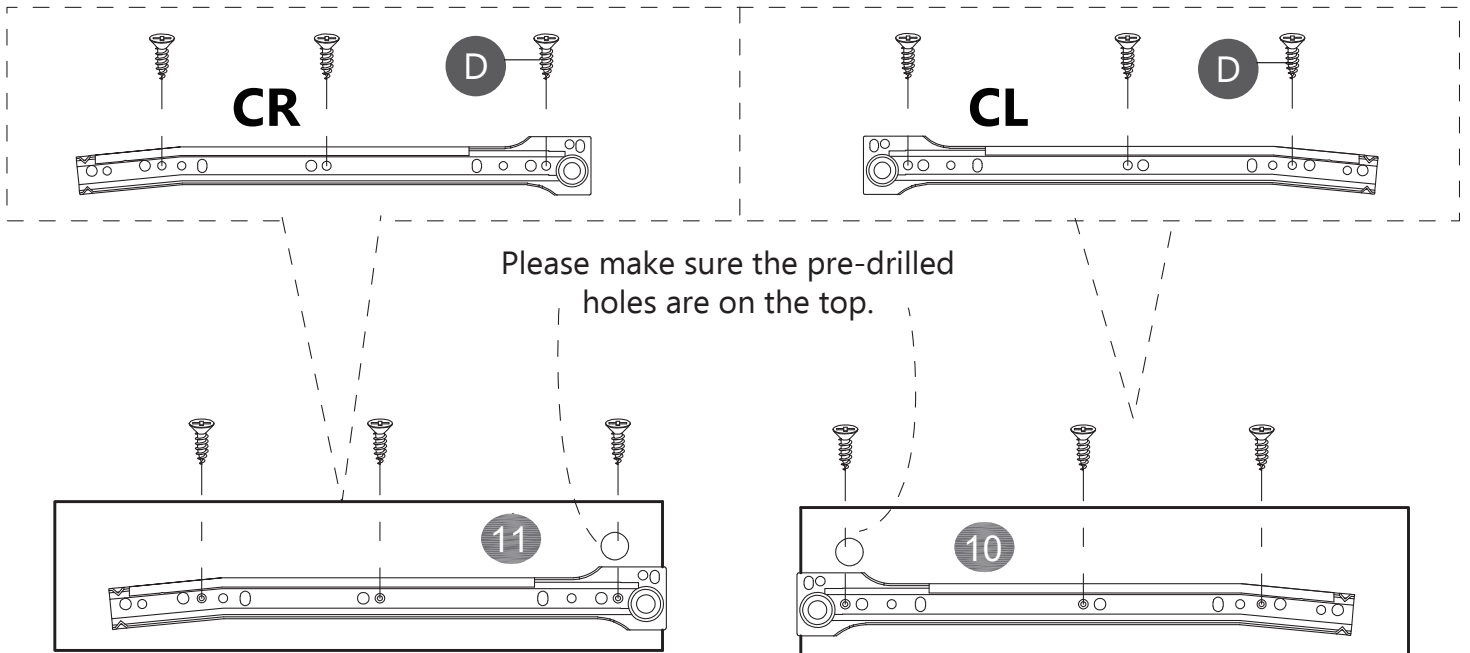
Secure the drawer slide CR to Board (11) with Screw D as below shown



- D**  x 3
- W**  CRx1

# Display. Non-installation steps

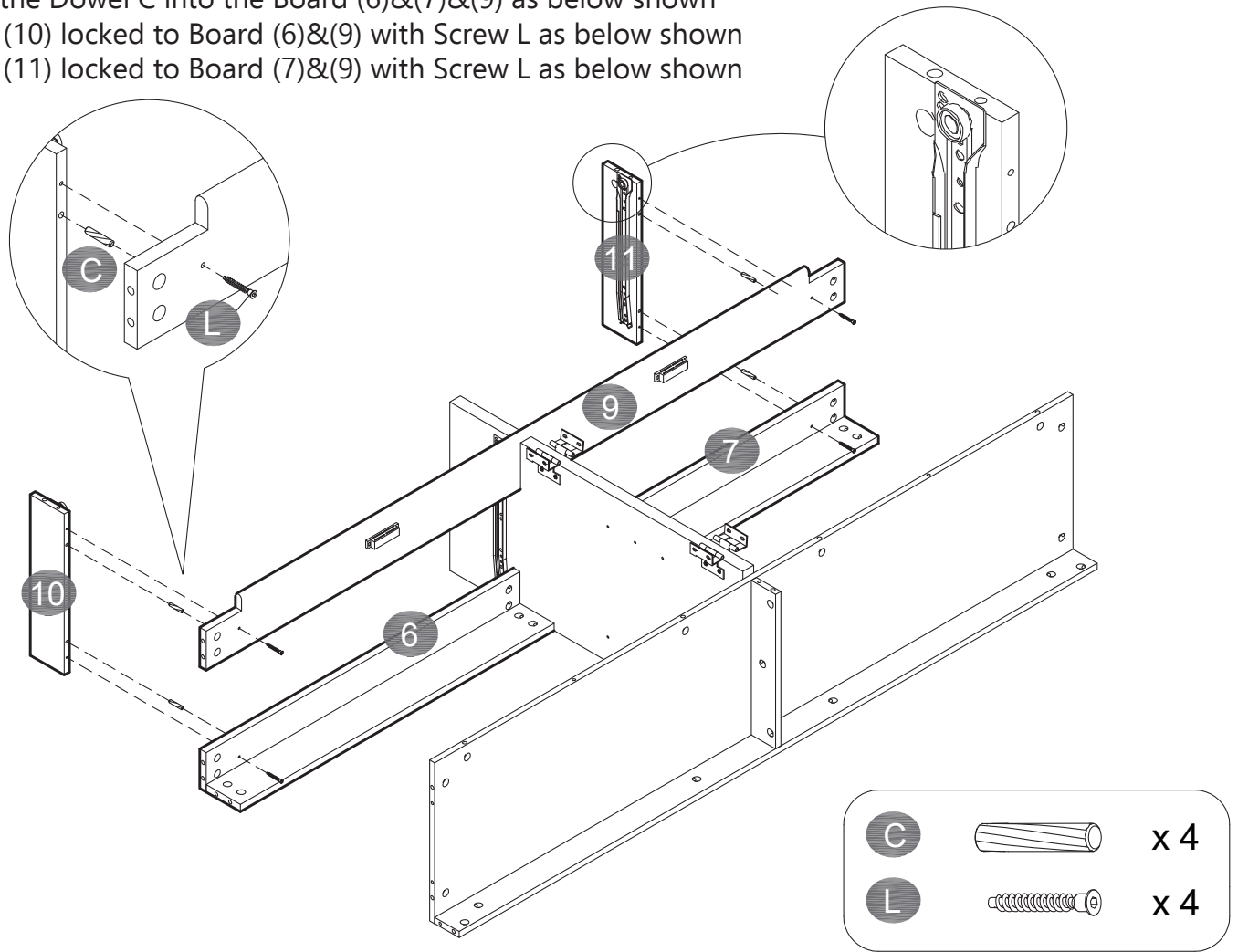
Reference to the completion of the installation:  
checking the position of the slides and screws in the board.



**TIP: The screws for the slide must be tightened very tightly, and don't tilt the screws, otherwise the drawers will get stuck and won't fit in.**

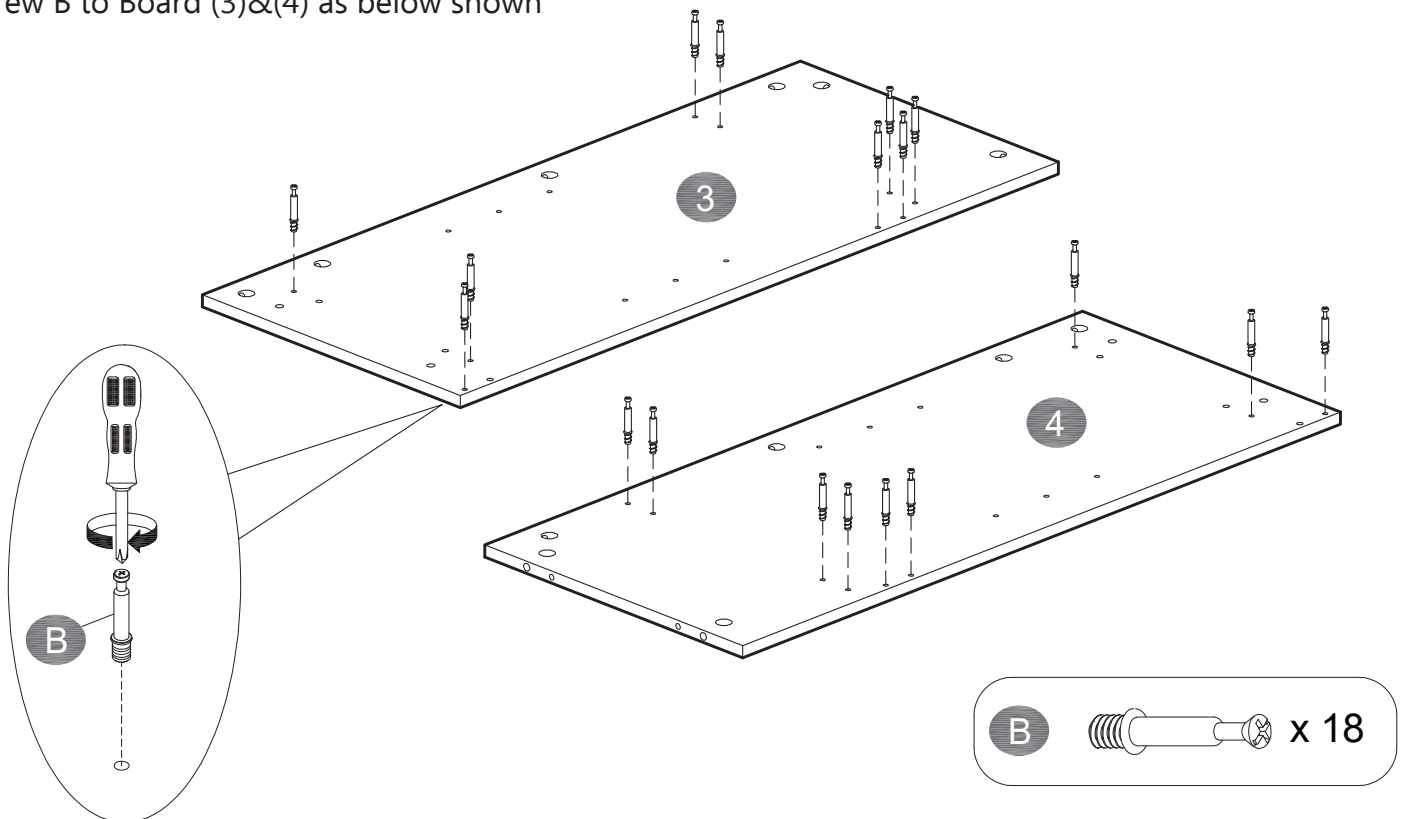
# Step 18

Insert the Dowel C into the Board (6)&(7)&(9) as below shown  
Board (10) locked to Board (6)&(9) with Screw L as below shown  
Board (11) locked to Board (7)&(9) with Screw L as below shown



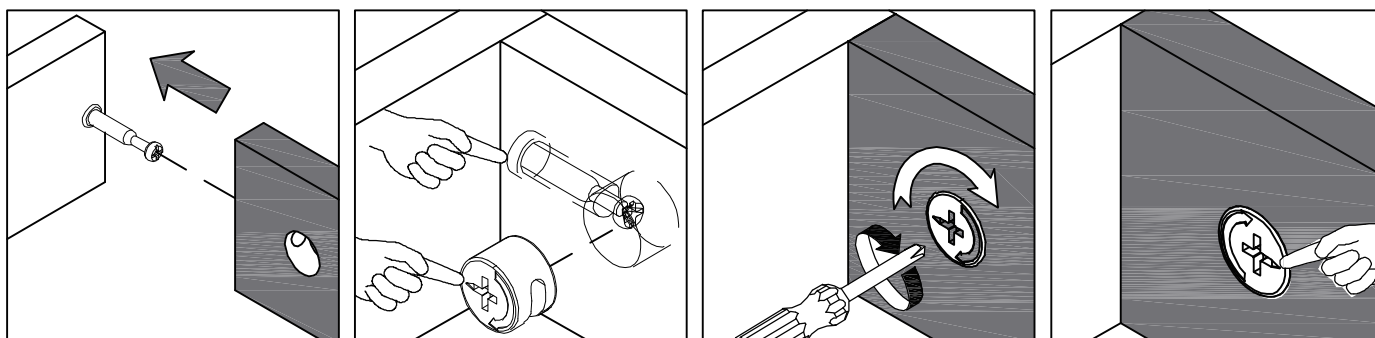
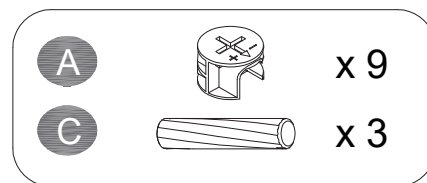
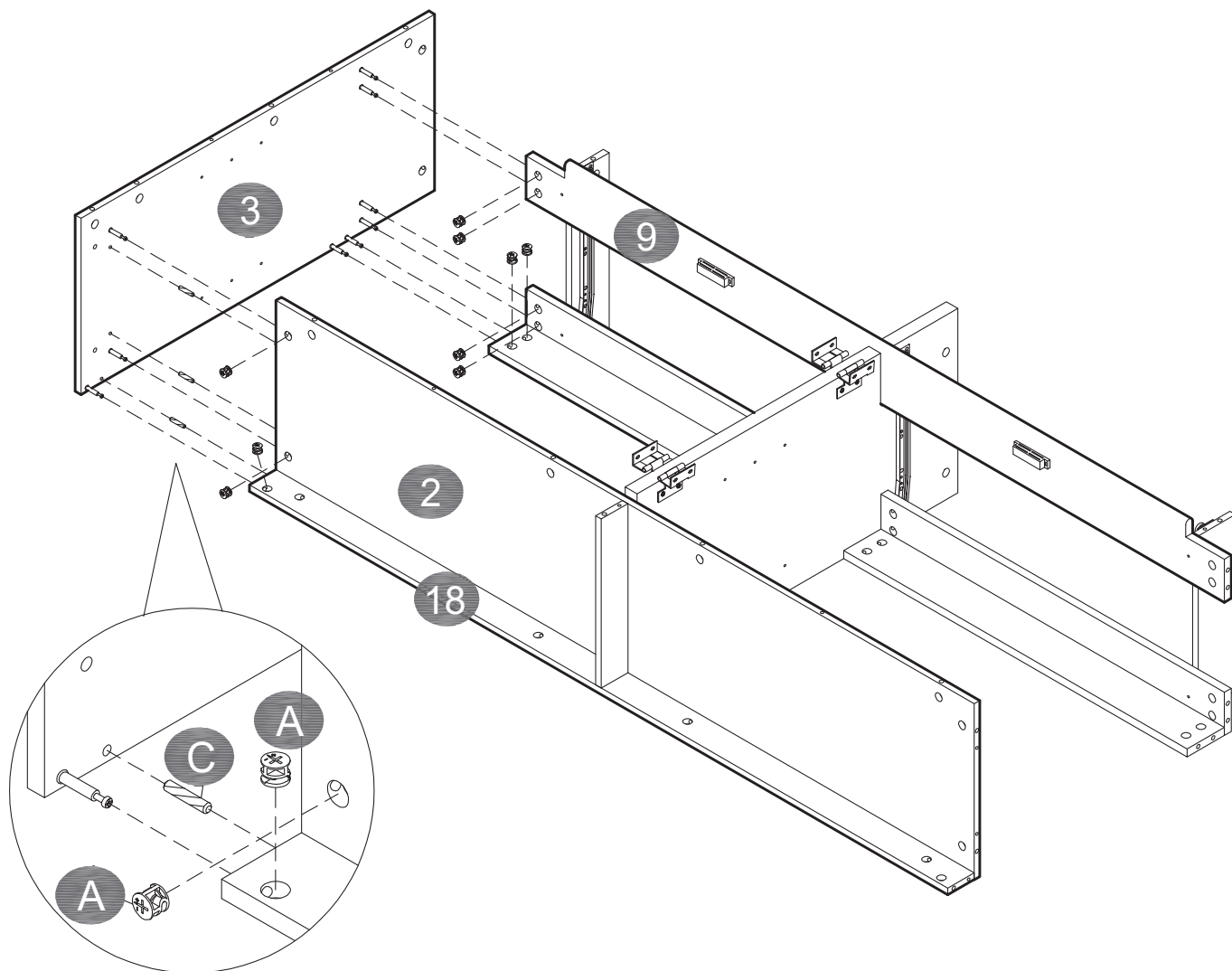
# Step 19

Screw B to Board (3)&(4) as below shown



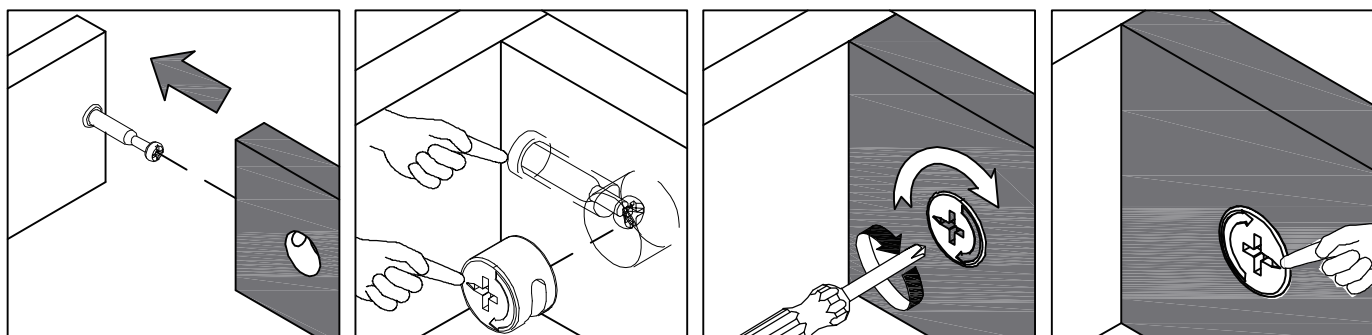
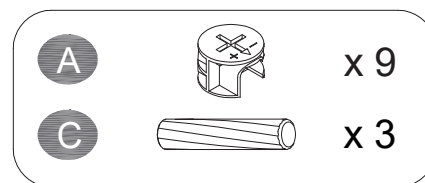
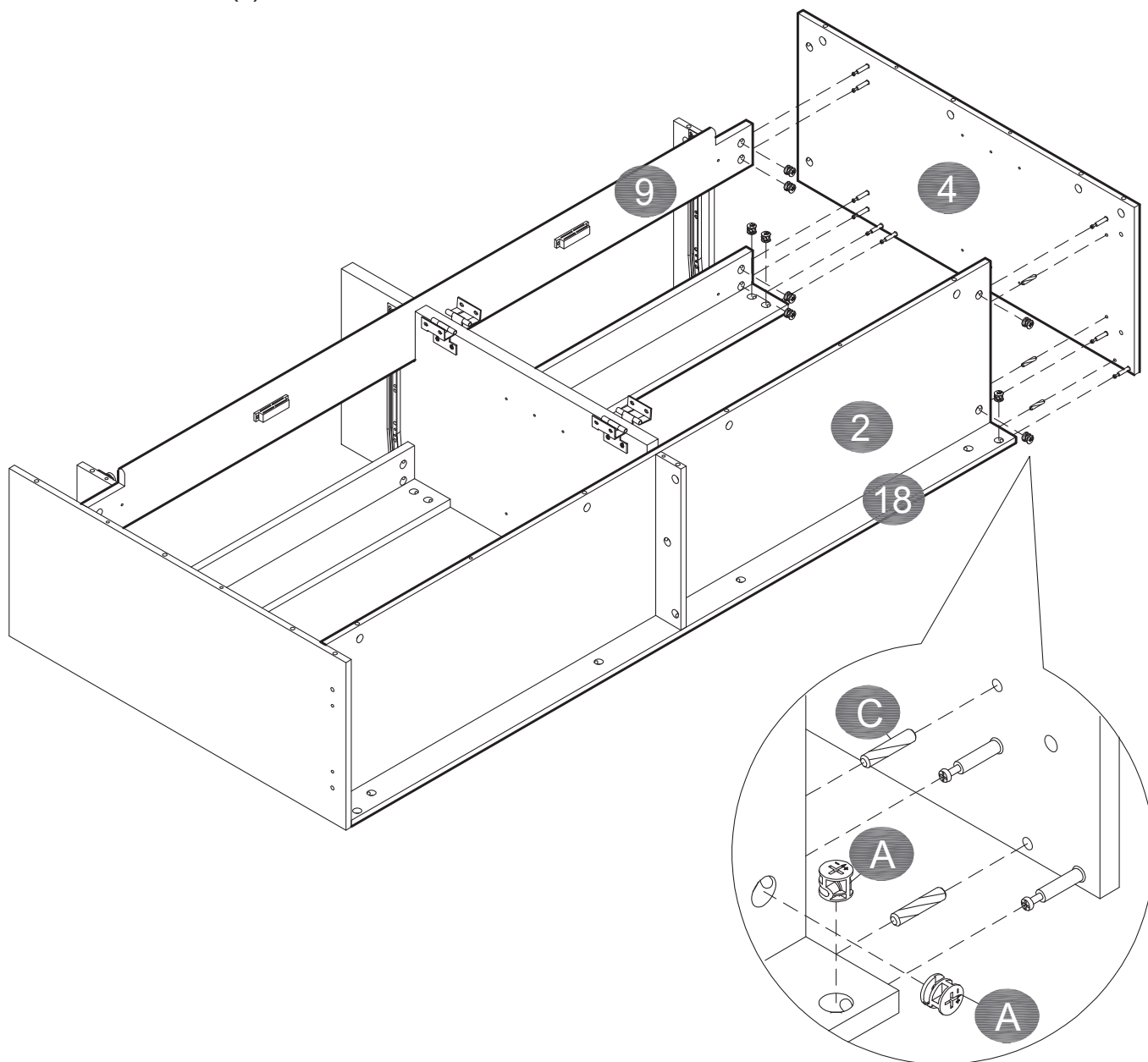
# Step 20

Insert the Dowel C into the Board (2)&(18) as below shown  
Screw A to lock Board (3) as below shown



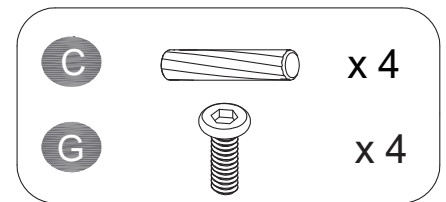
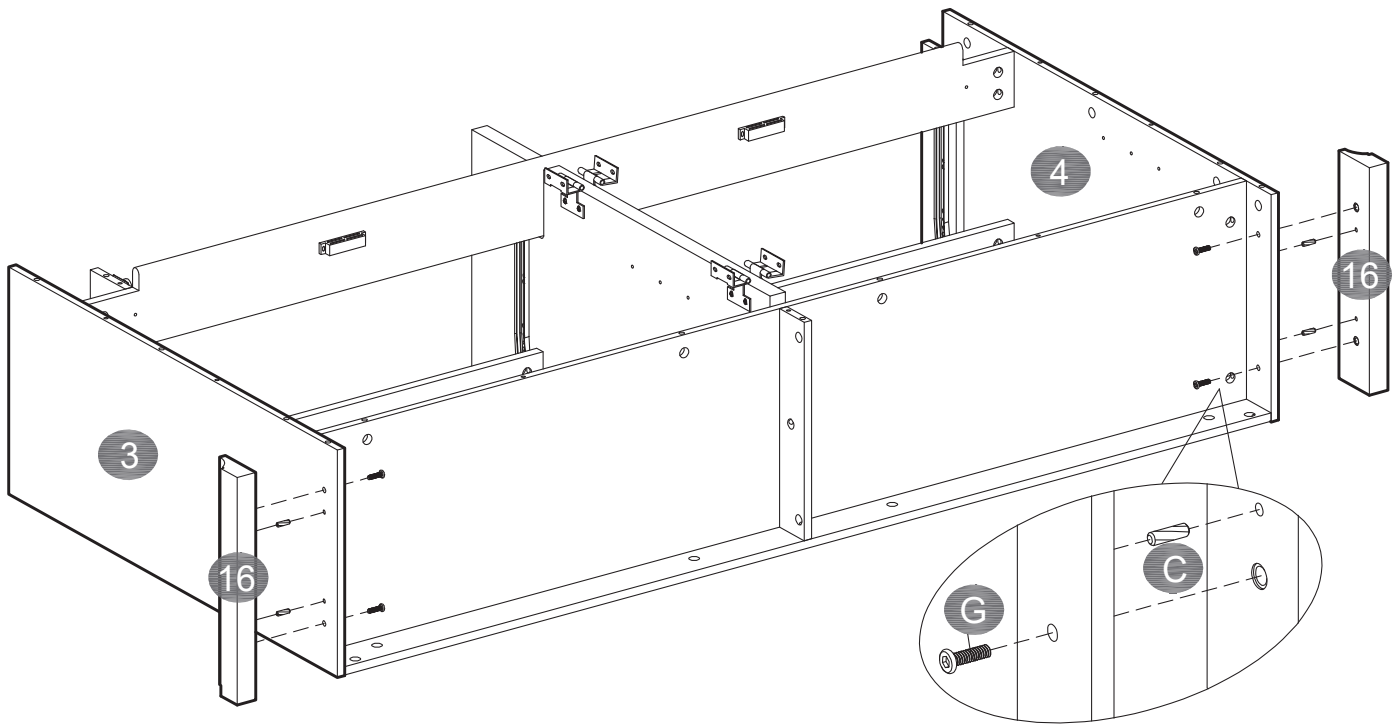
# Step 21

Insert the Dowel C into the Board (2)&(18) as below shown  
Screw A to lock Board (4) as below shown



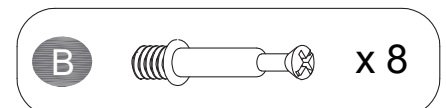
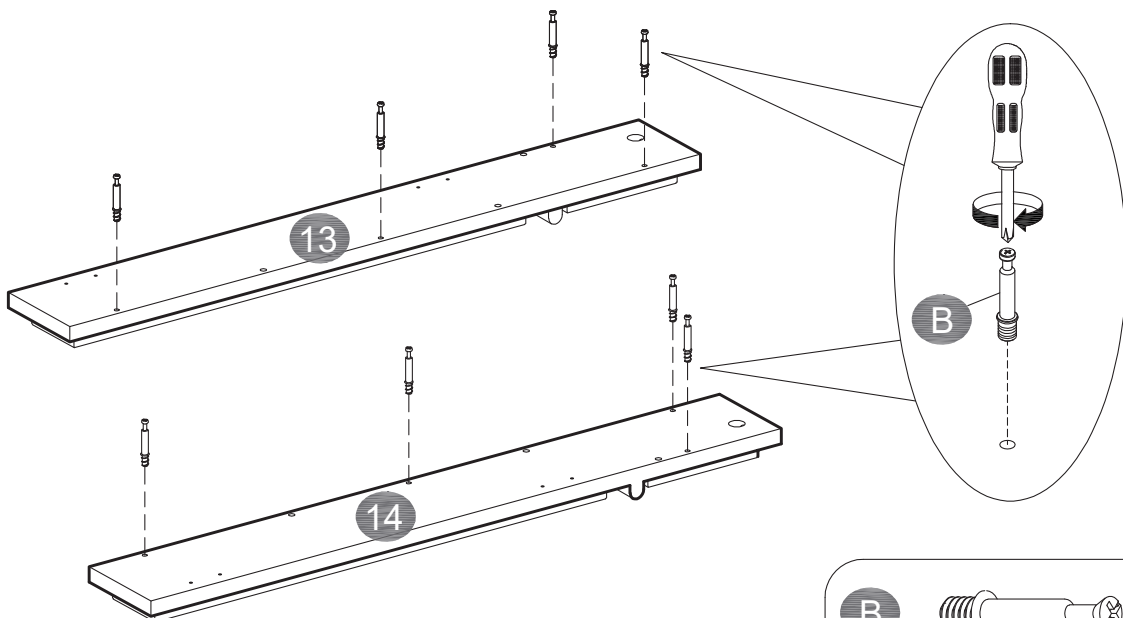
# Step 22

Insert the Dowel C into the Board (3)&(4) as below shown  
Screw G to lock Board (16) as below shown



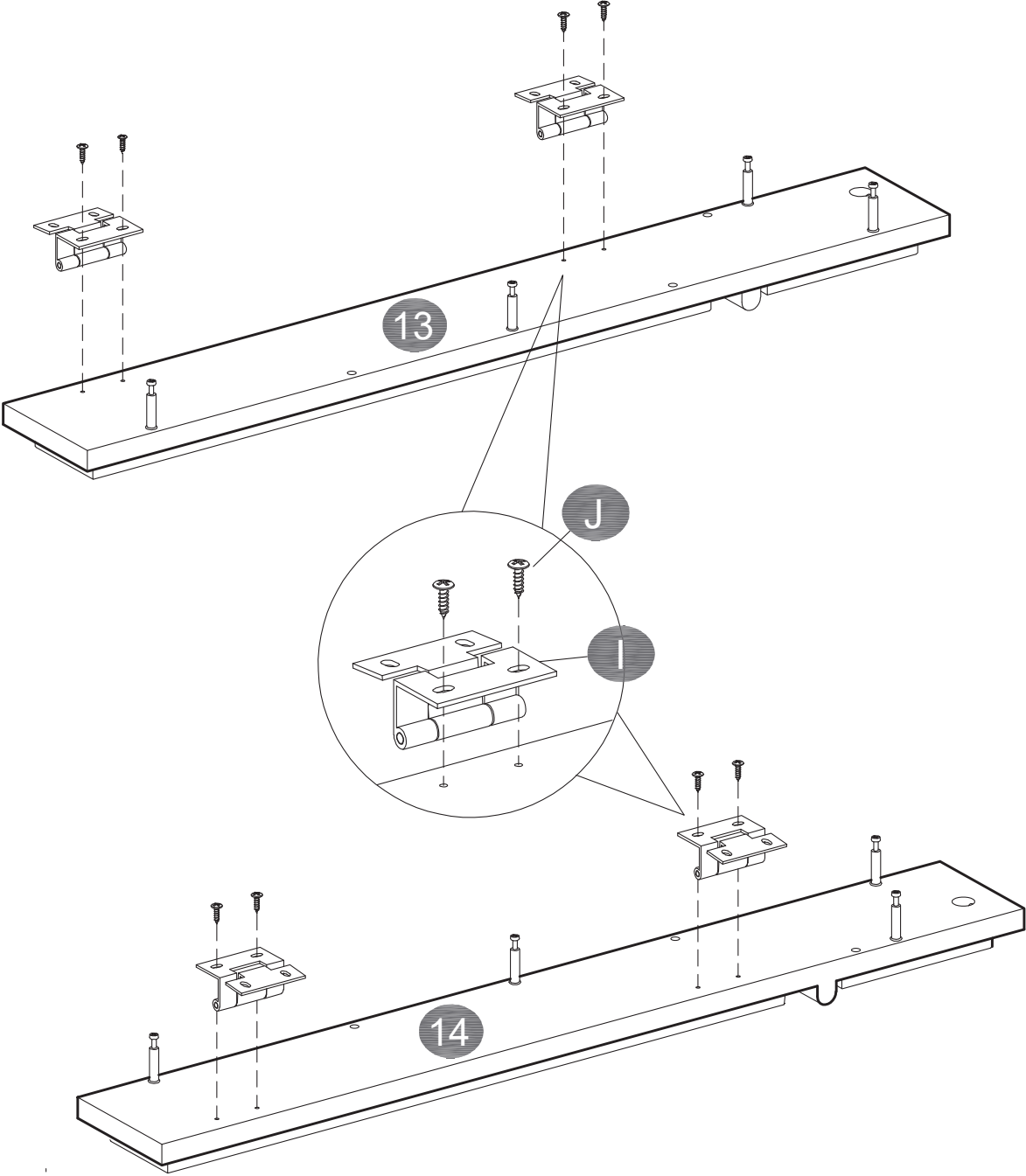
# Step 23

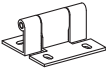
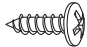
Screw B to Board (13)&(14) as below shown



# Step 24

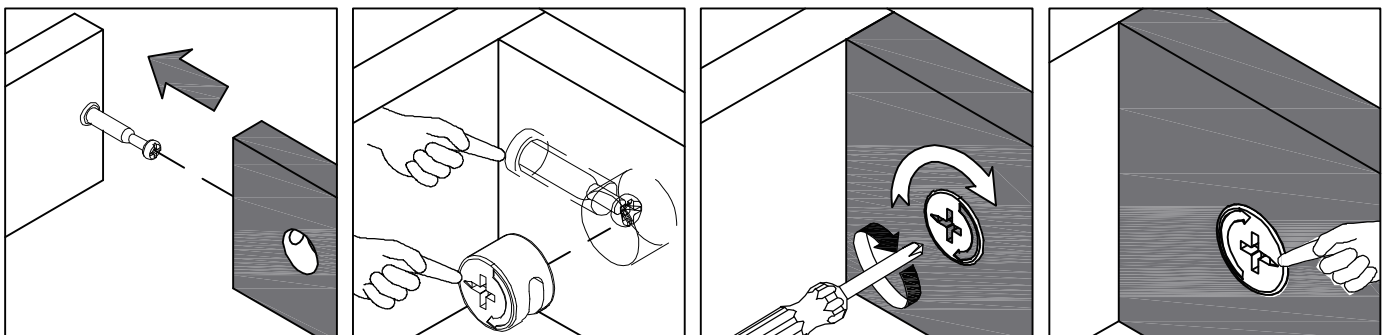
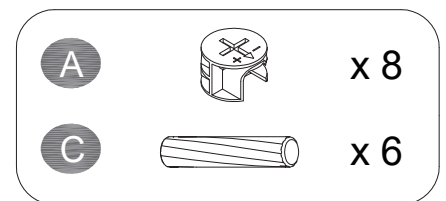
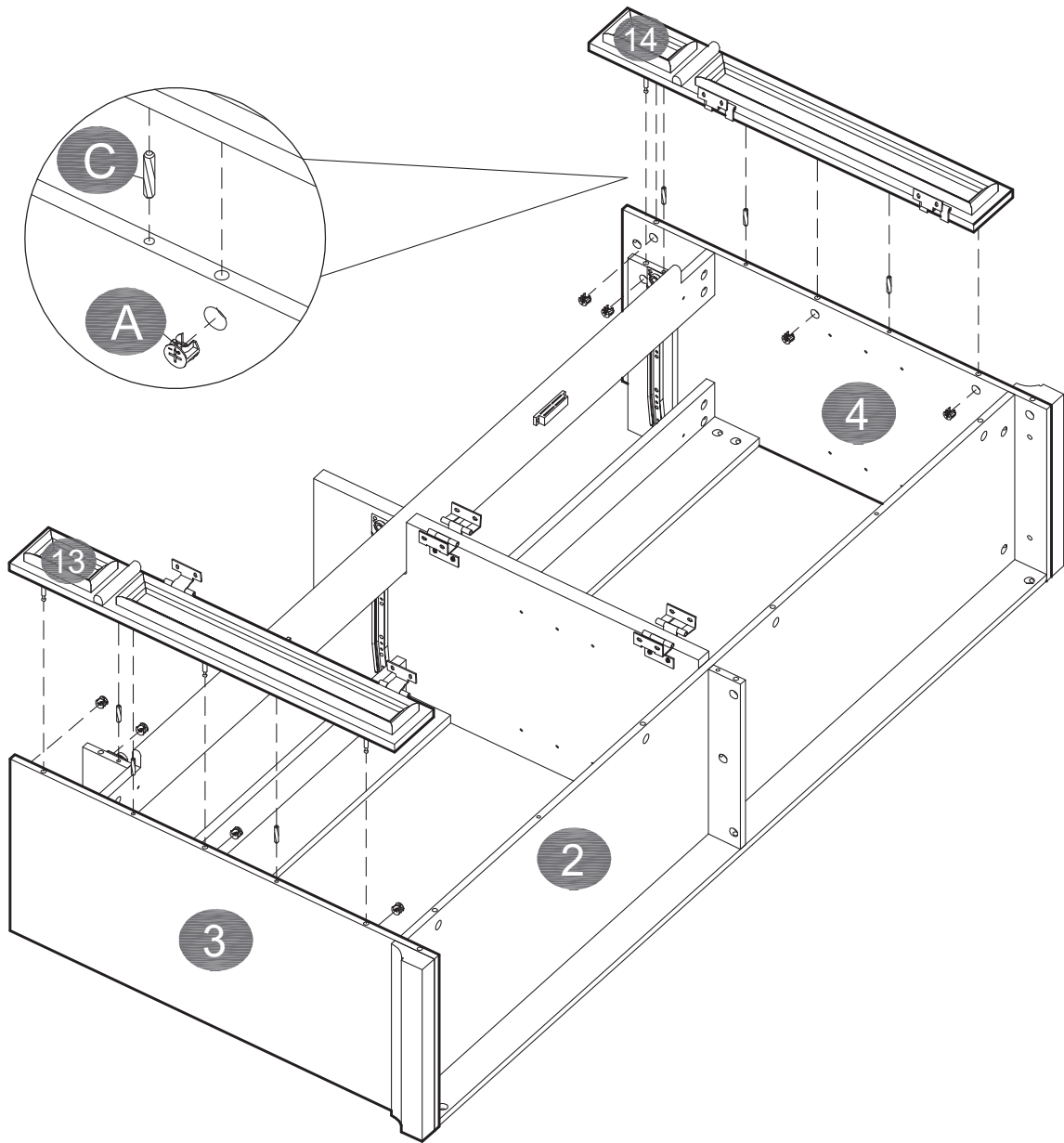
Secure hinge I to Board (13)&(14) with Screw J as below shown



- |   |                                                                                       |     |
|---|---------------------------------------------------------------------------------------|-----|
| I |  | x 4 |
| J |  | x 8 |

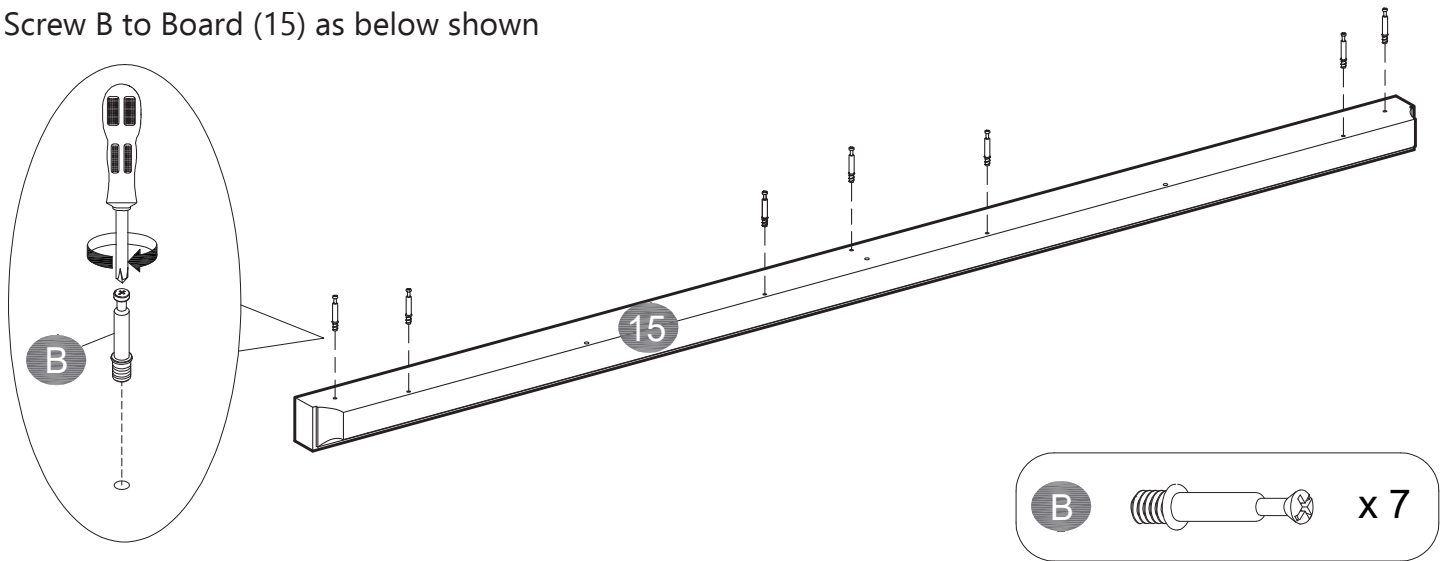
# Step 25

Insert the Dowel C into the Board (3)&(4) as below shown  
Board (13) locked to (3) with Screw A as below shown  
Board (14) locked to (4) with Screw A as below shown



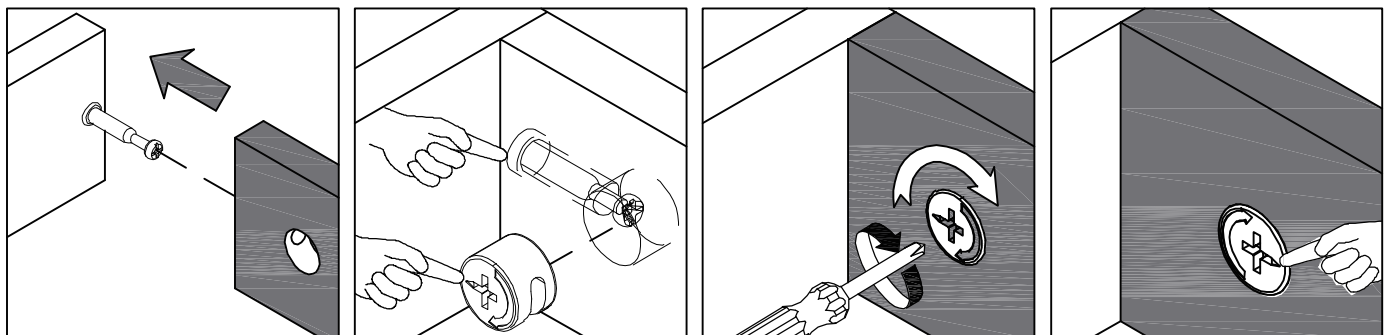
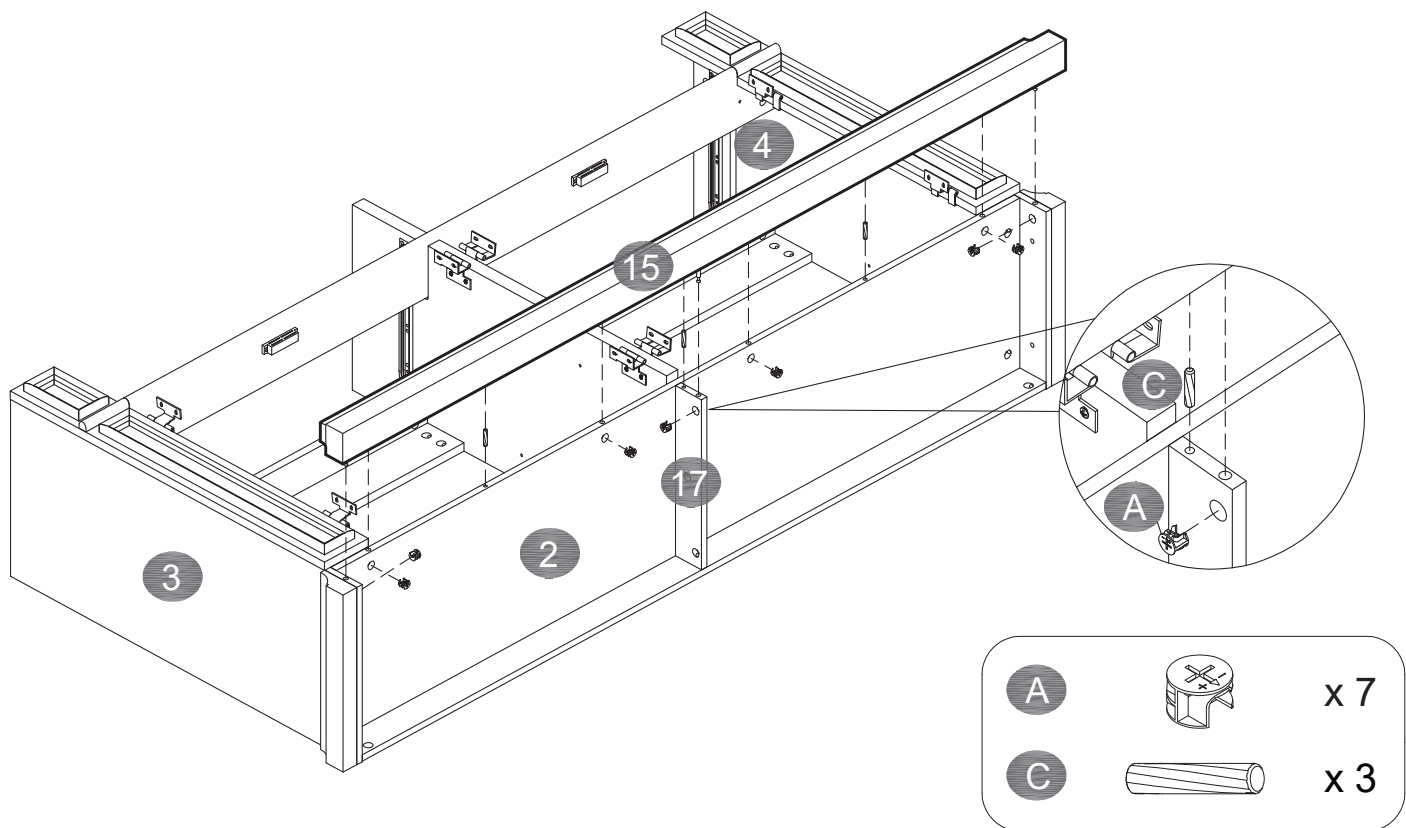
# Step 26

Screw B to Board (15) as below shown



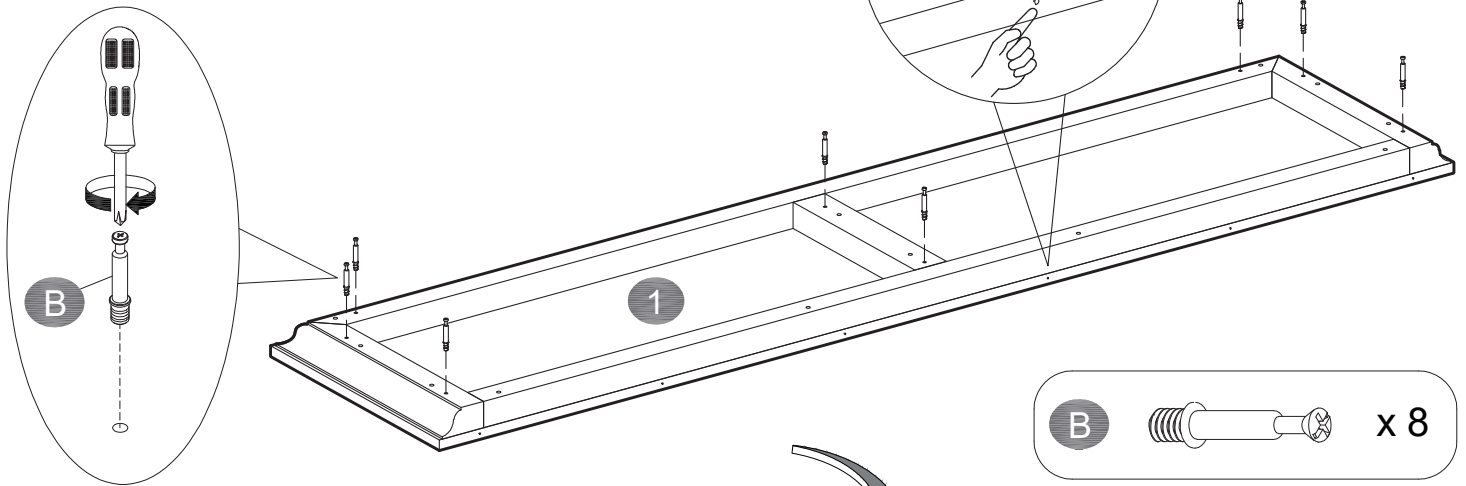
# Step 27

Insert the Dowel C into the Board (15) as below shown  
Screw A to lock Board (15) as below shown



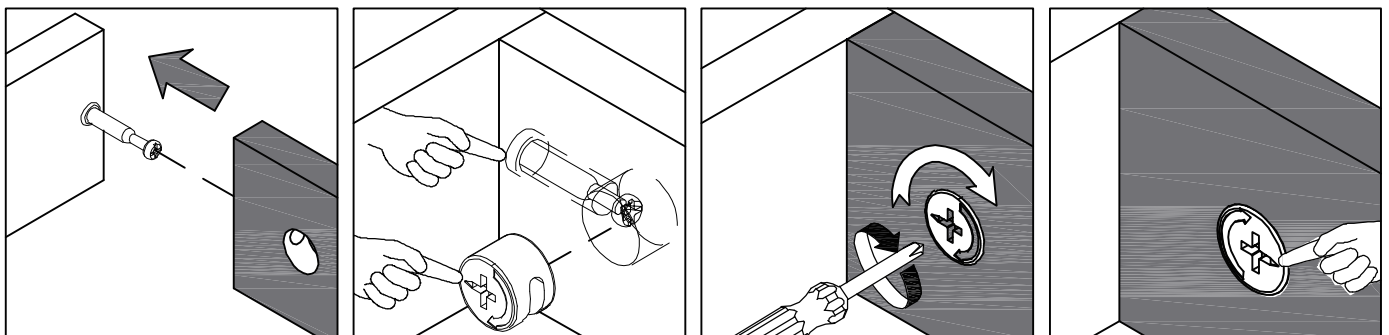
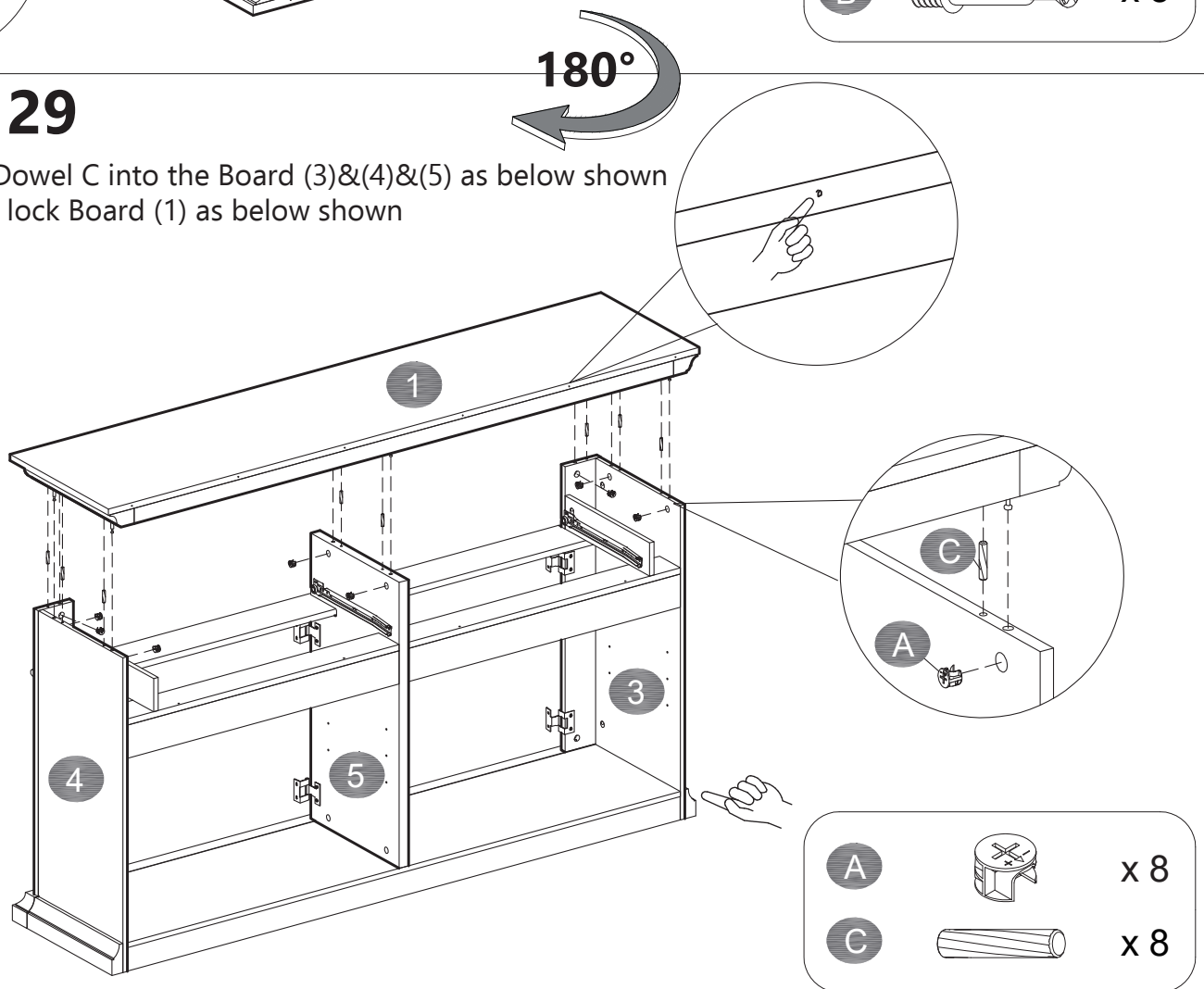
# Step 28

Screw B to Board (15) as below shown



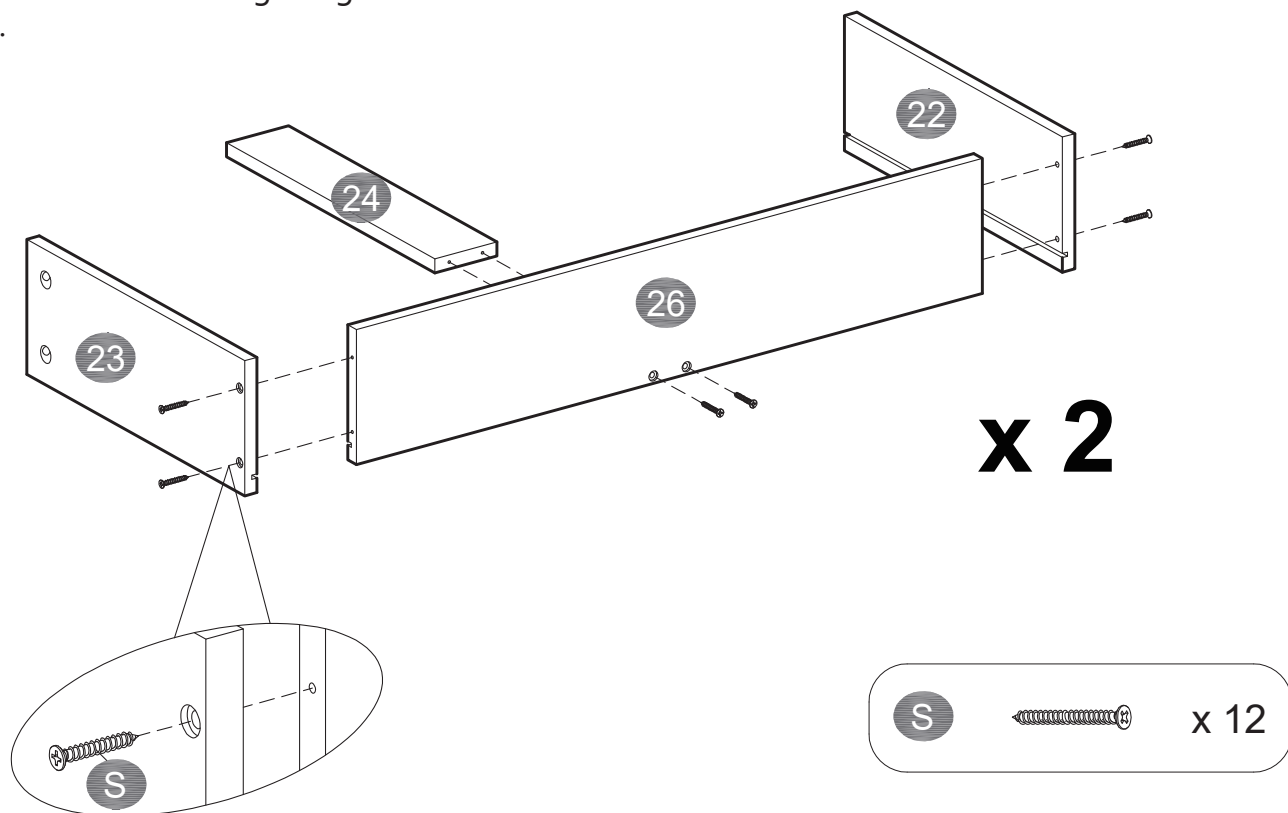
# Step 29

Insert the Dowel C into the Board (3)&(4)&(5) as below shown  
Screw A to lock Board (1) as below shown



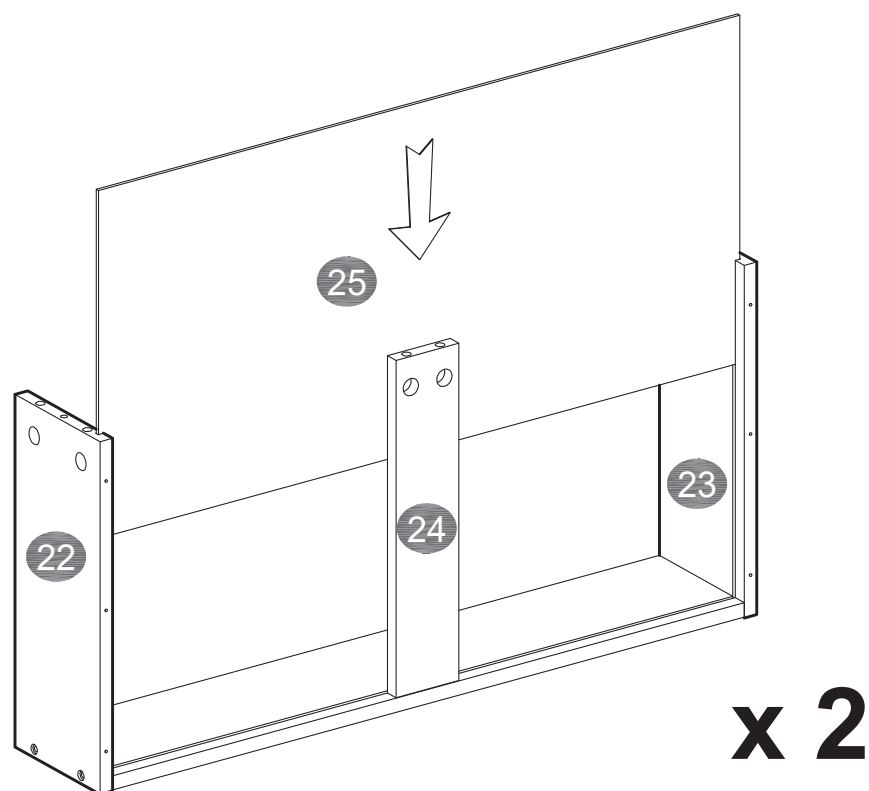
## Step 30

Board (22)& (23)&(24) locked to (26) with Screw S as below shown  
Notice: The long groove is used to install the bottom plate, make sure to take note of installing the grooves of these boards on the same side.



## Step 31

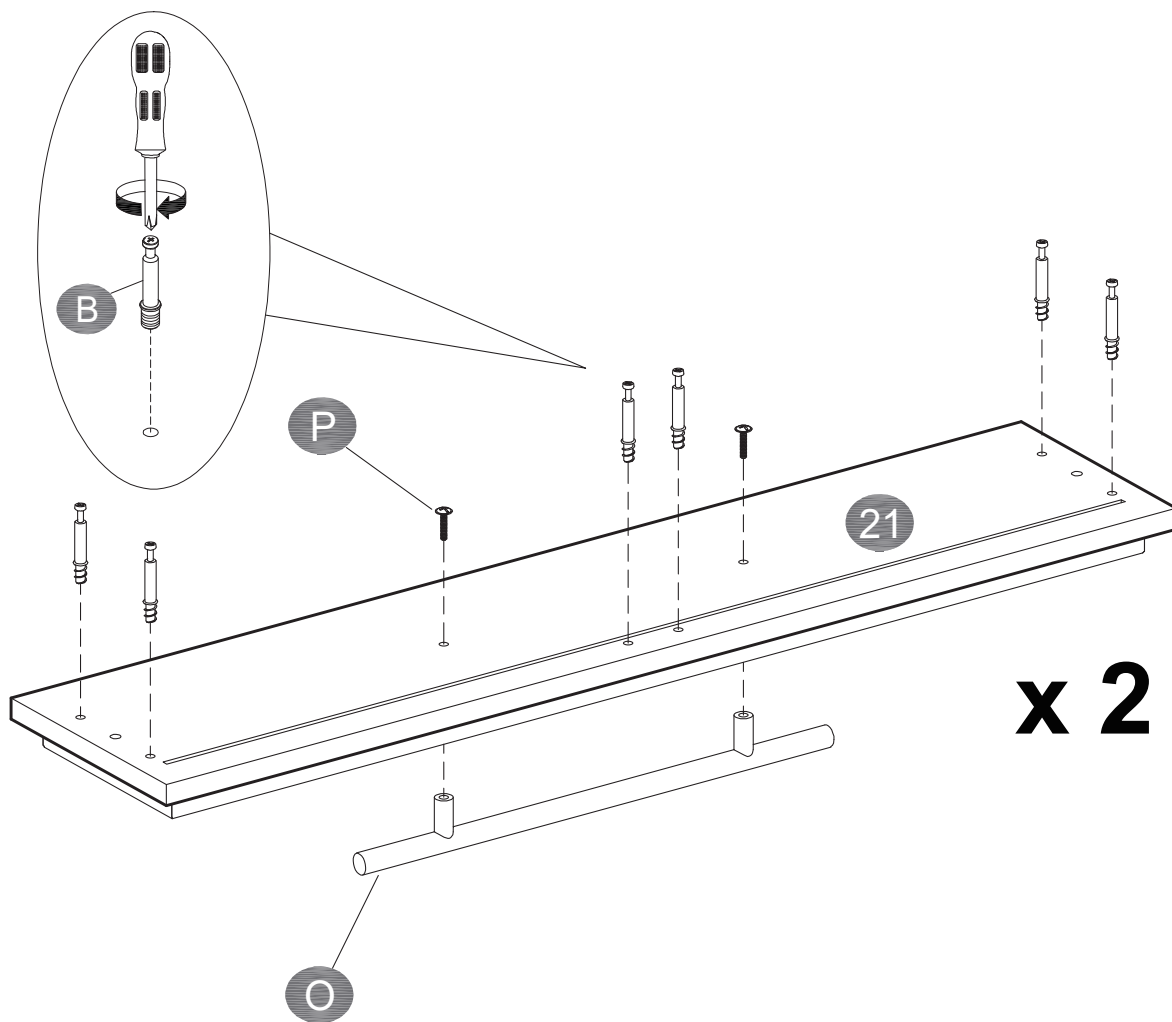
Attach Board(25) as below shown

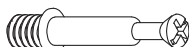




# Step 32

Screw B to Board (21) as below shown

Secure Handle O to Drawers (21) with Screw P as below shown

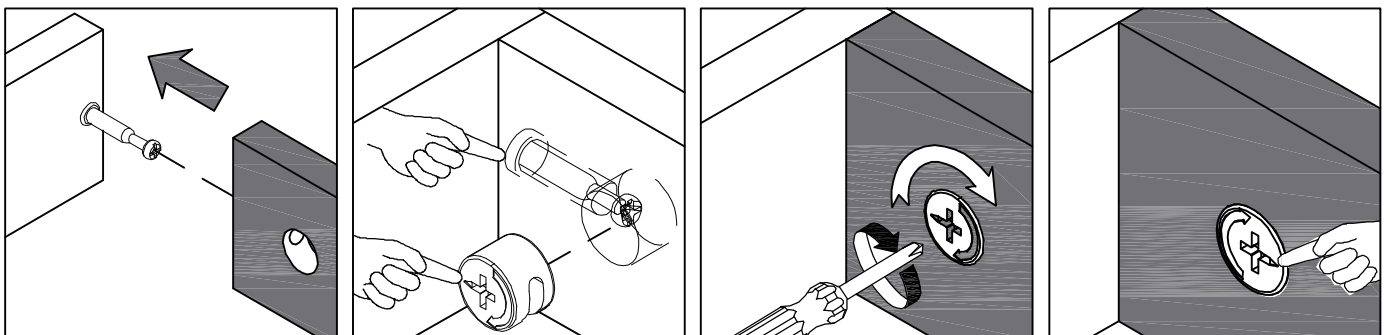
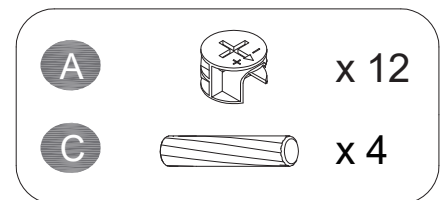
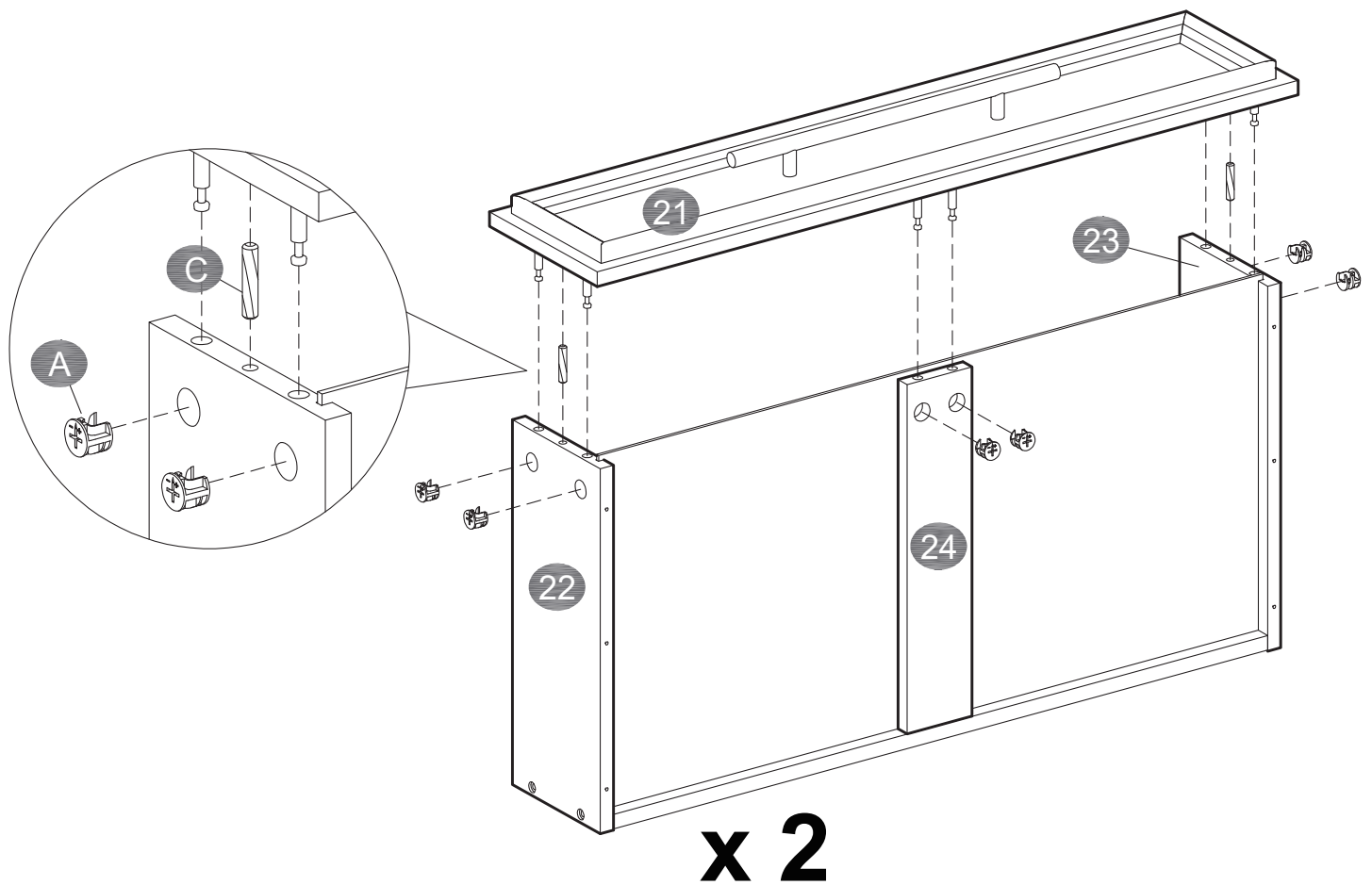


B		x 12
O		x 2
P		x 4

# Step 33

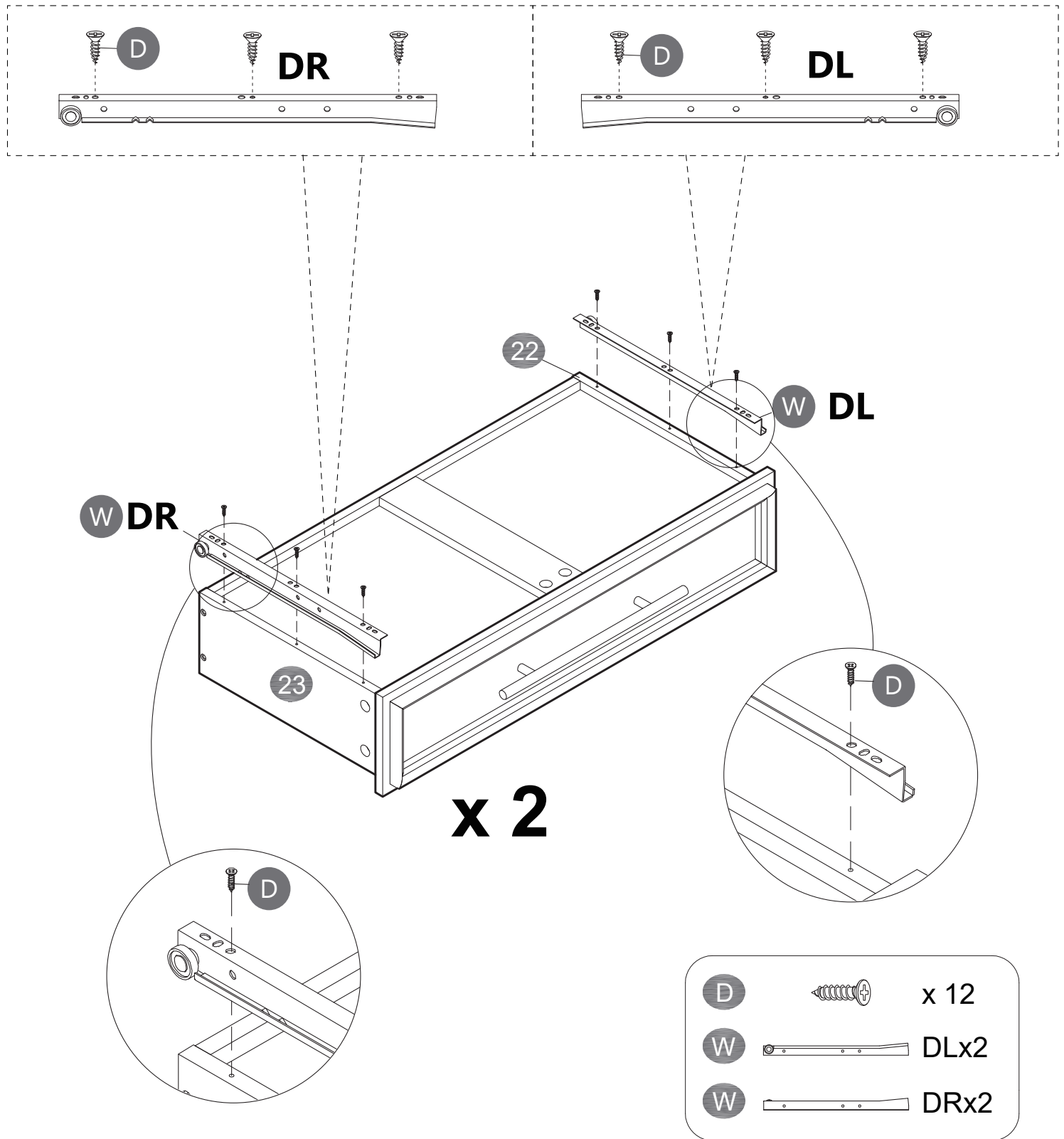
Insert the Dowel C into the Board (22)&(23) as below shown  
Screw A to lock Board (21) as below shown

**Notice:** Align the board with the pre-drilled holes first, then tighten the screws



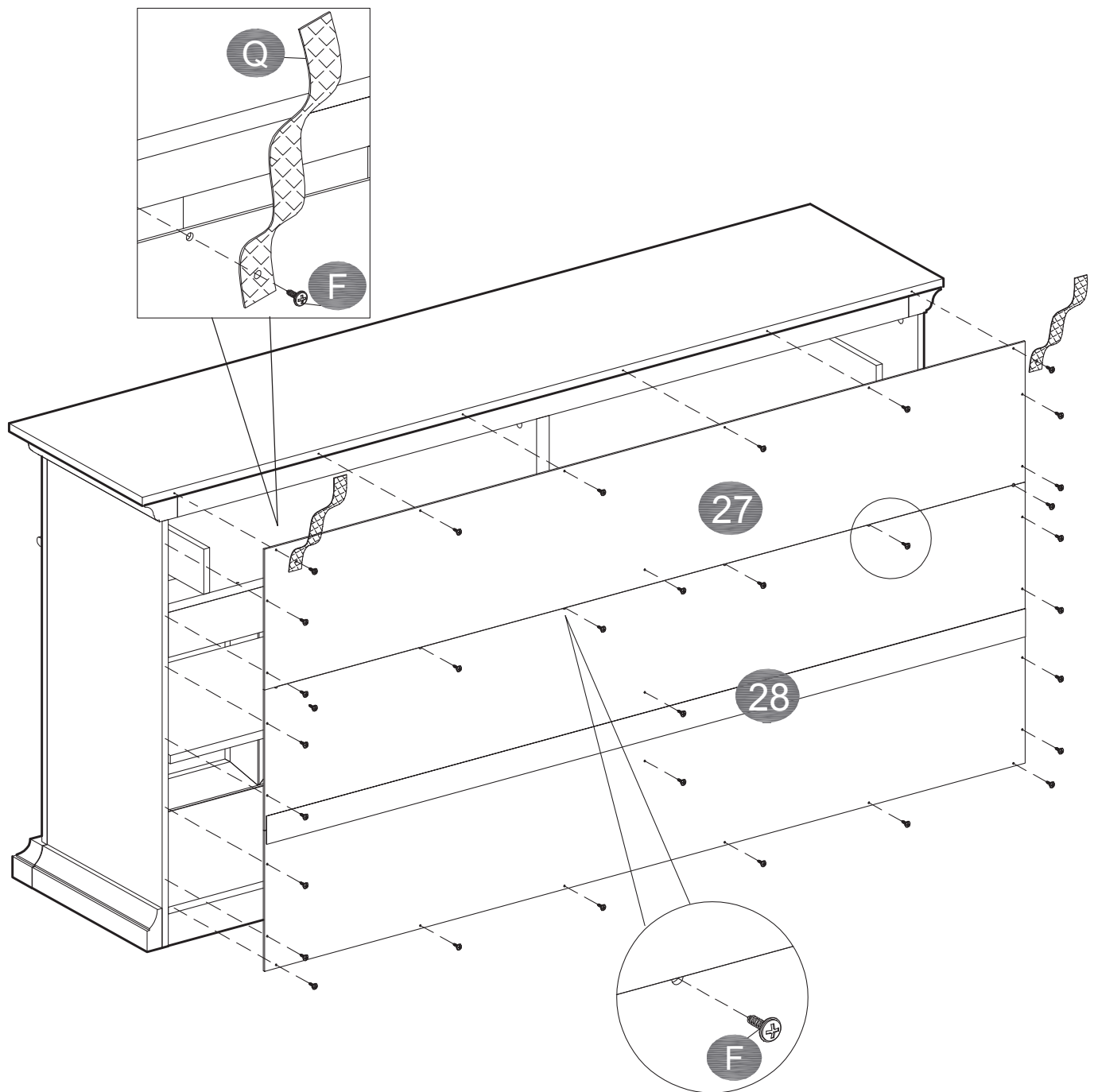
# Step 34

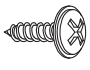

Secure the drawer slide W to Board (22)&(23) with Screw D as below shown



# Step 35

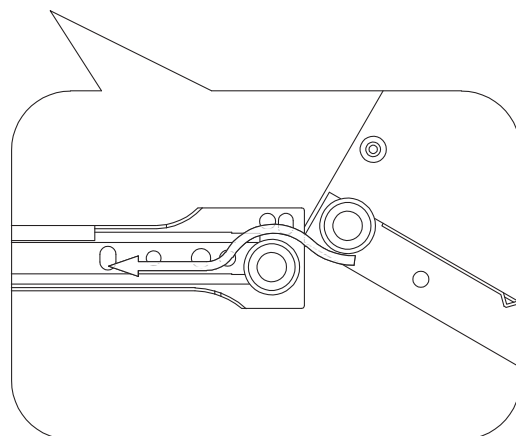
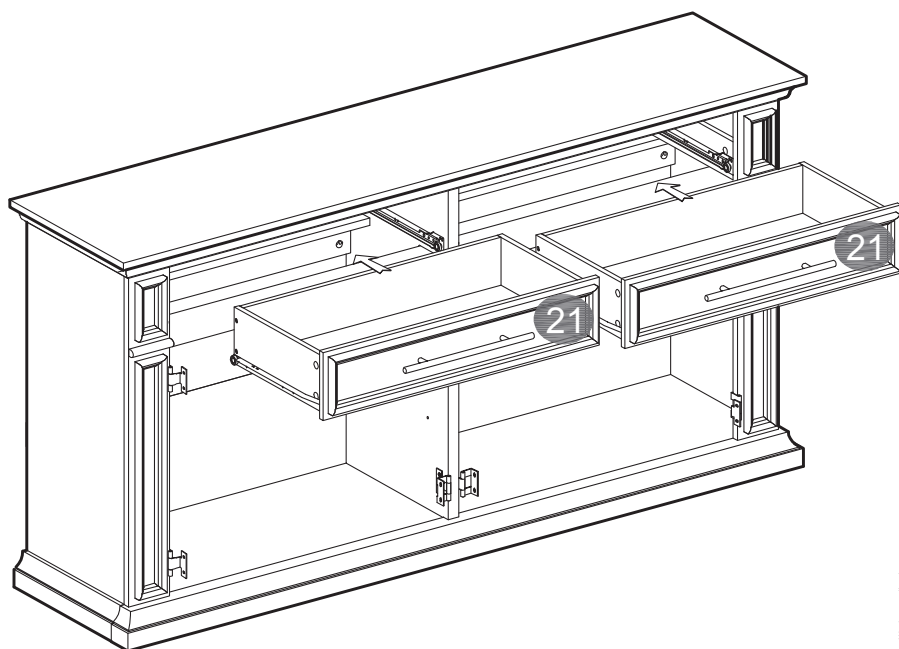
Attach the Back Panel and Anti-Tip Q with Screw F as below shown



F		x 33
Q		x 2

## Step 36

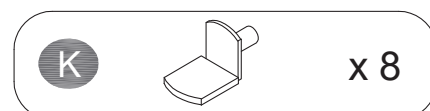
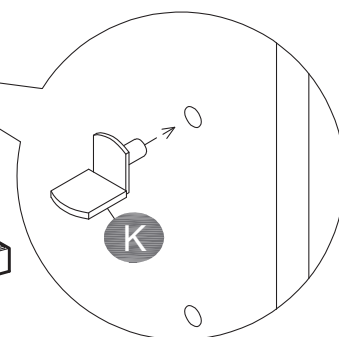
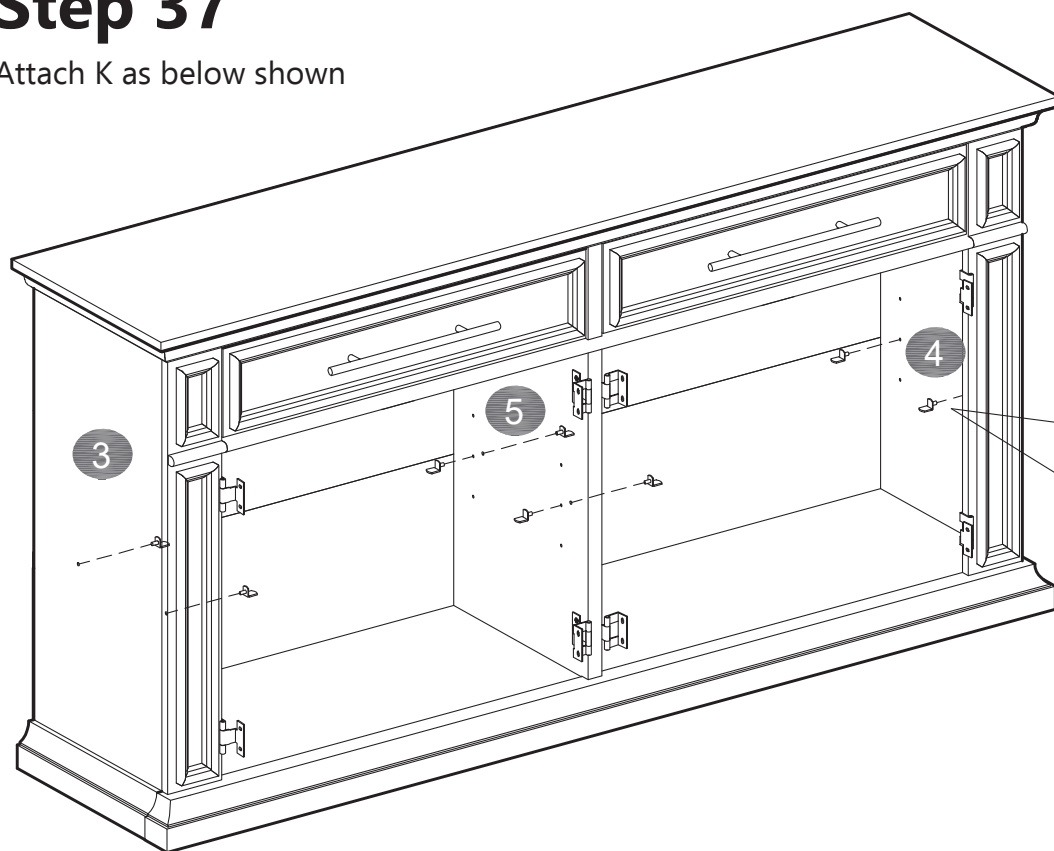
Put into the Drawers as below shown



When you put the drawer, please note that the drawer wheels on the top of the wheels of the slide, then check whether the drawer is smooth when pulled out. Otherwise, the drawer will not be aligned with other drawers.

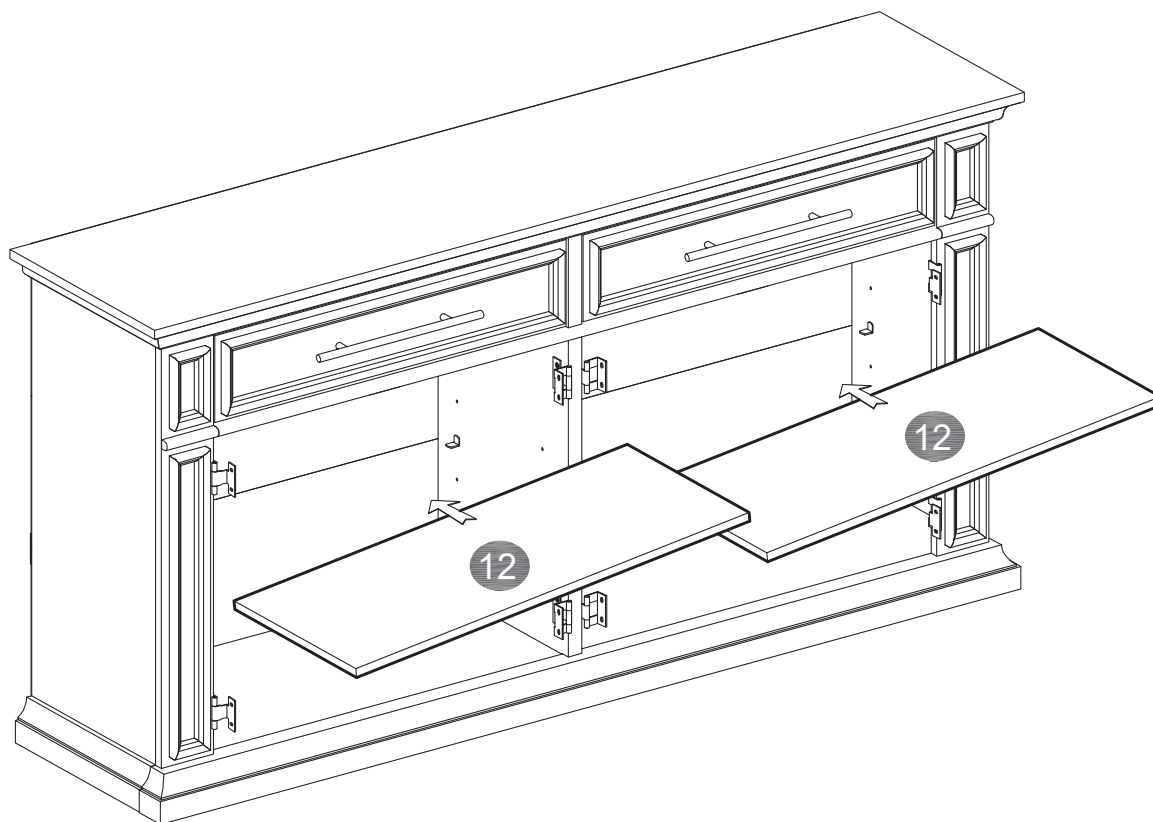
## Step 37

Attach K as below shown



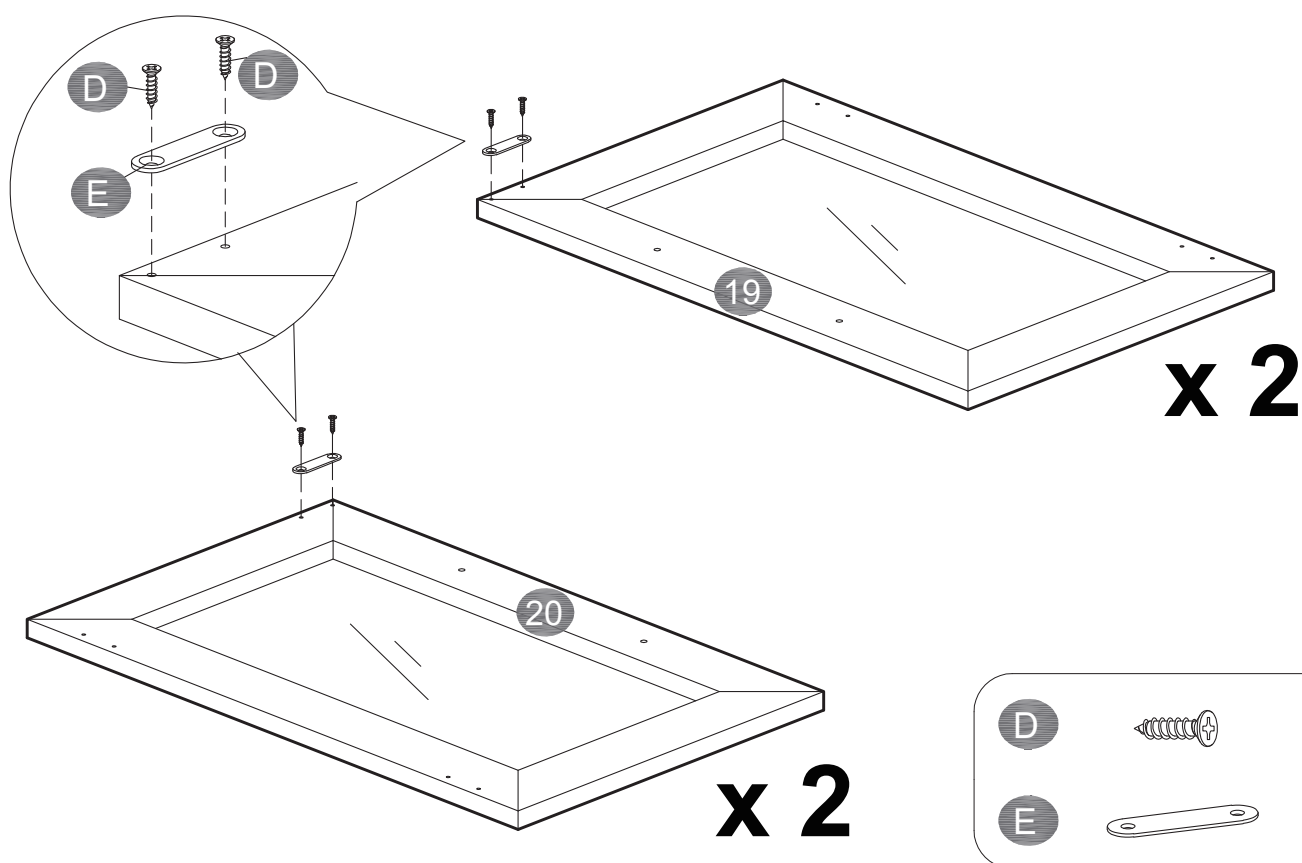
# Step 38

Put into the Shelves (12) as below shown



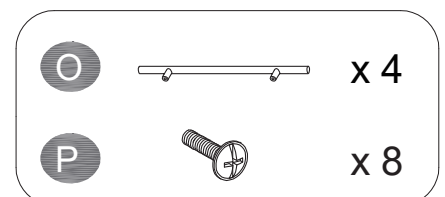
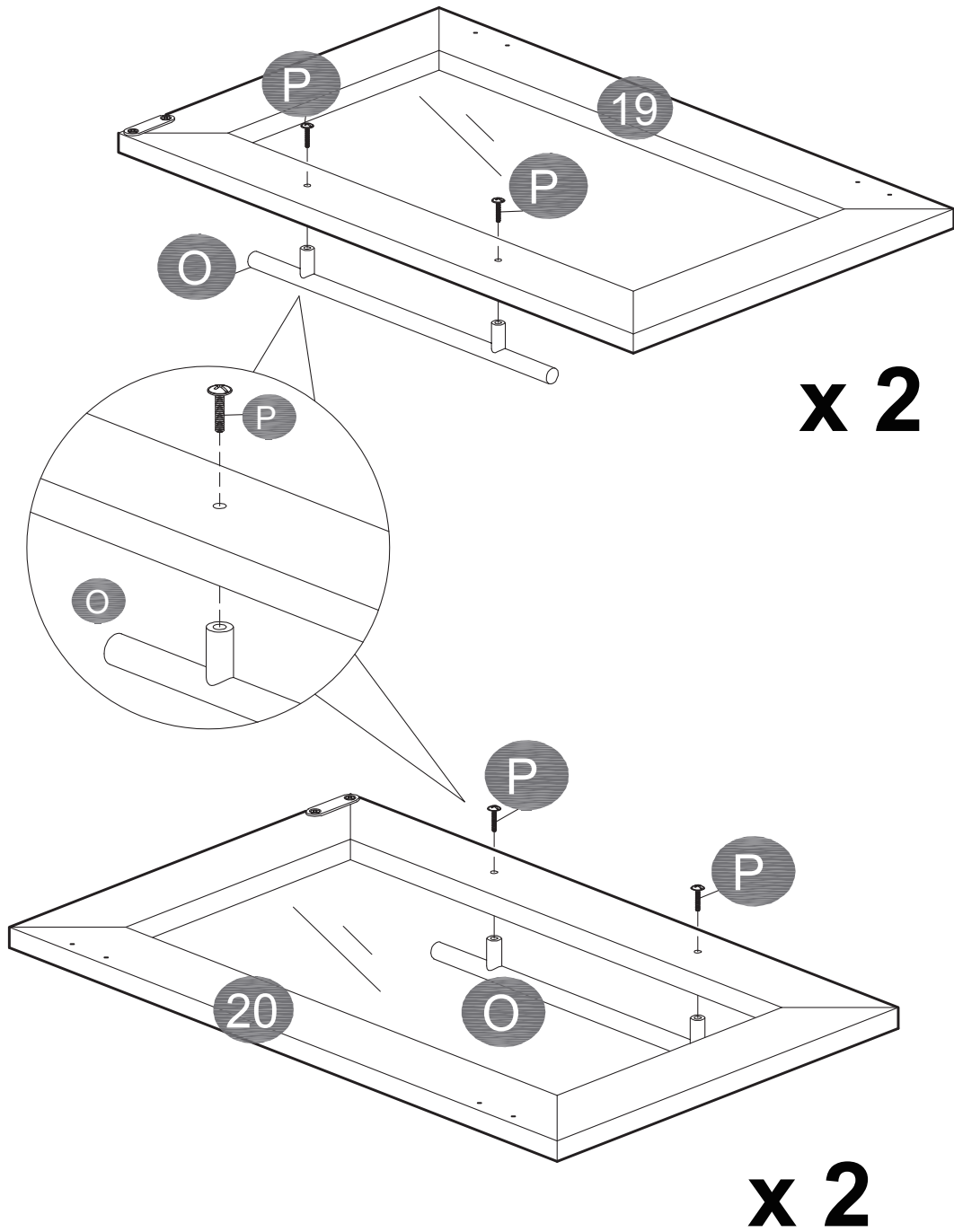
# Step 39

Secure E to Board (19)&(20) with Screw D as below shown



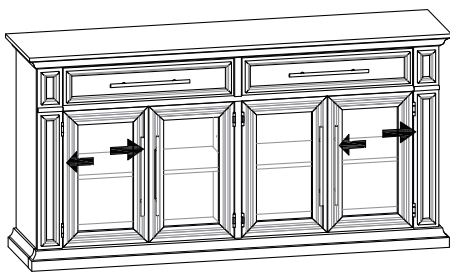
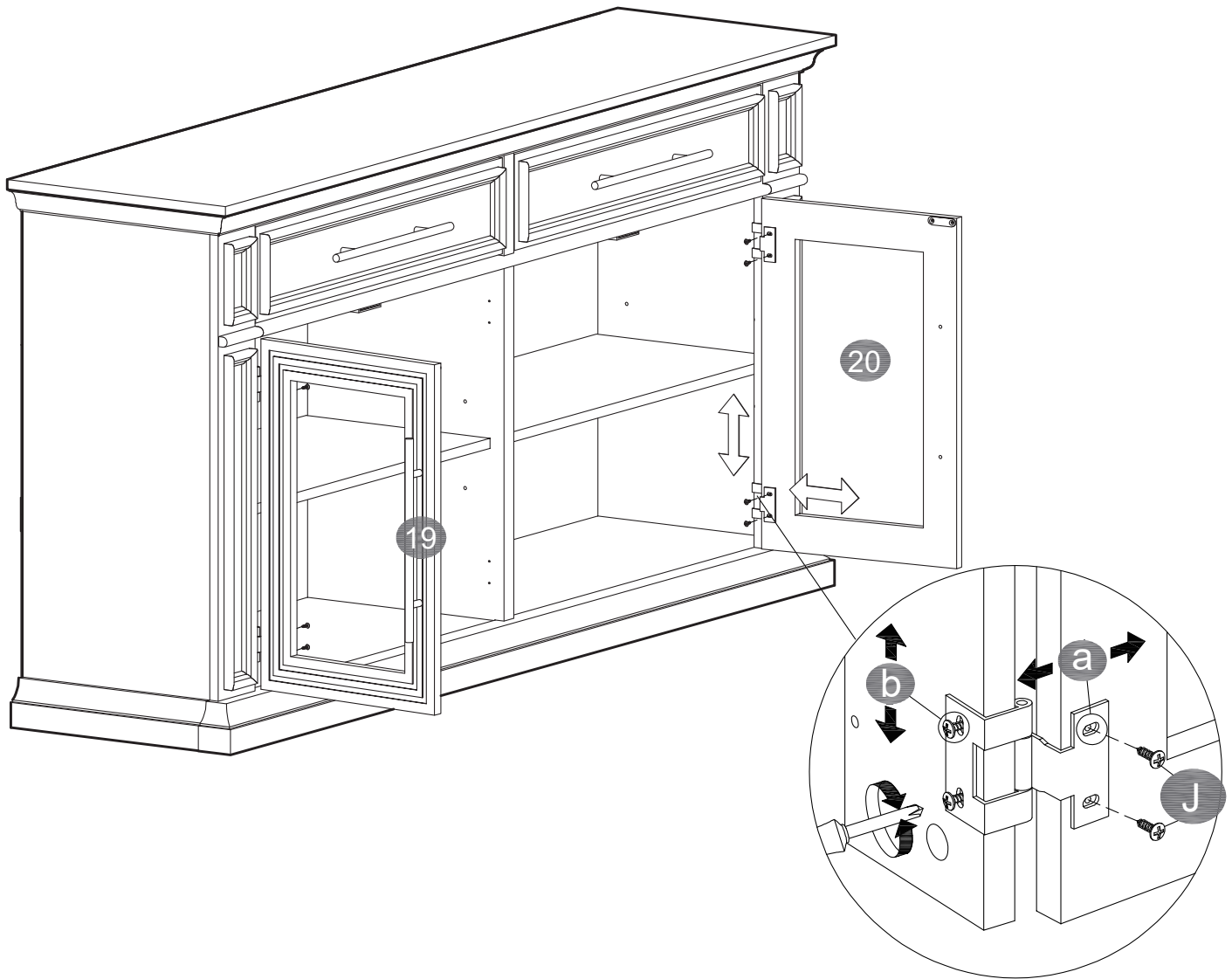
# Step 40

Secure Handle O to Doors (19)&(20) with Screw P as below shown

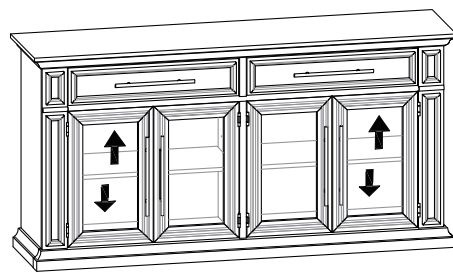


# Step 41

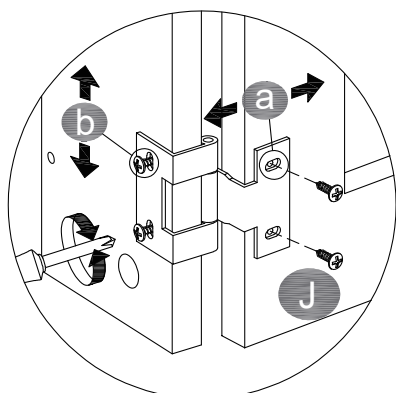
Attach the Doors(19)&(20) with Screw J as below show



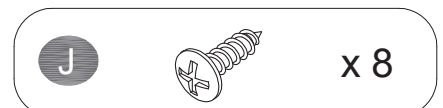
a



b

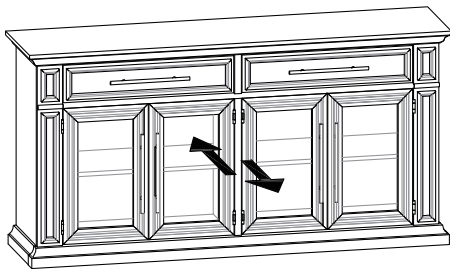
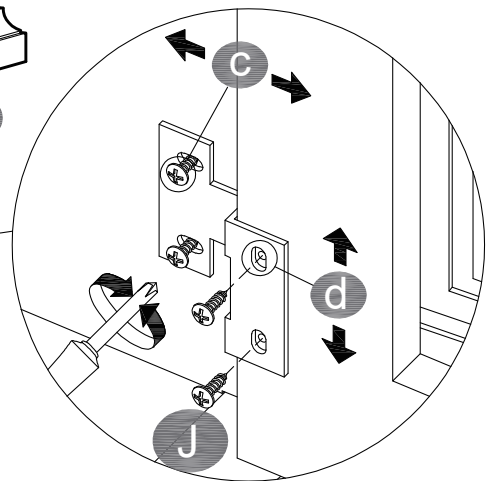
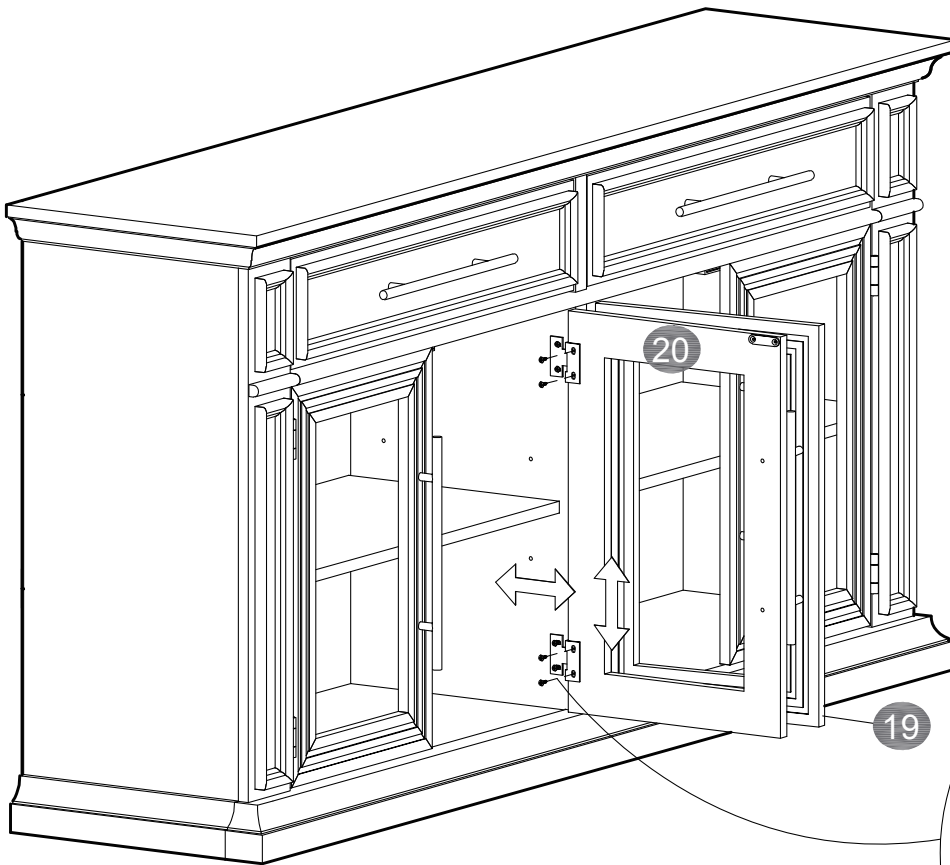


(a) TO ADJUST THE DOOR TO RIGHT OR TO LEFT  
(b) TO ADJUST THE DOOR UP OR DOWN

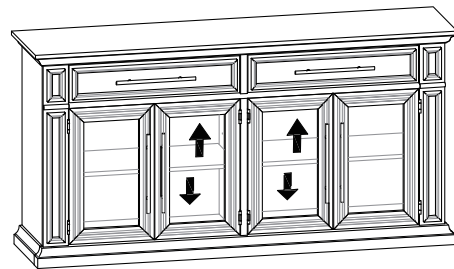


# Step 42

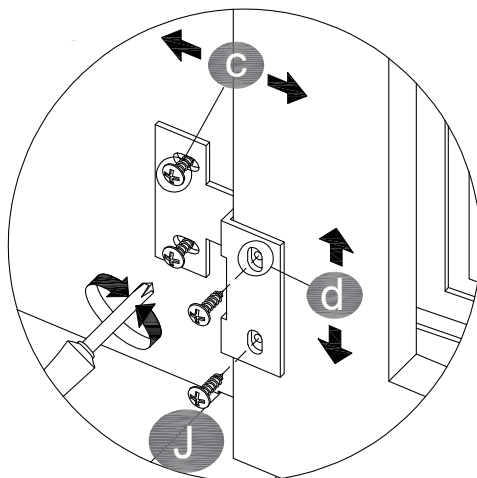
Attach the Doors(19)&(20) with Screw J as below shown



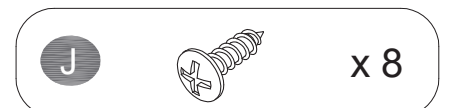
(c)



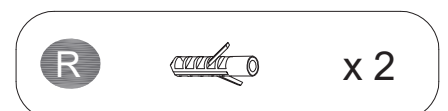
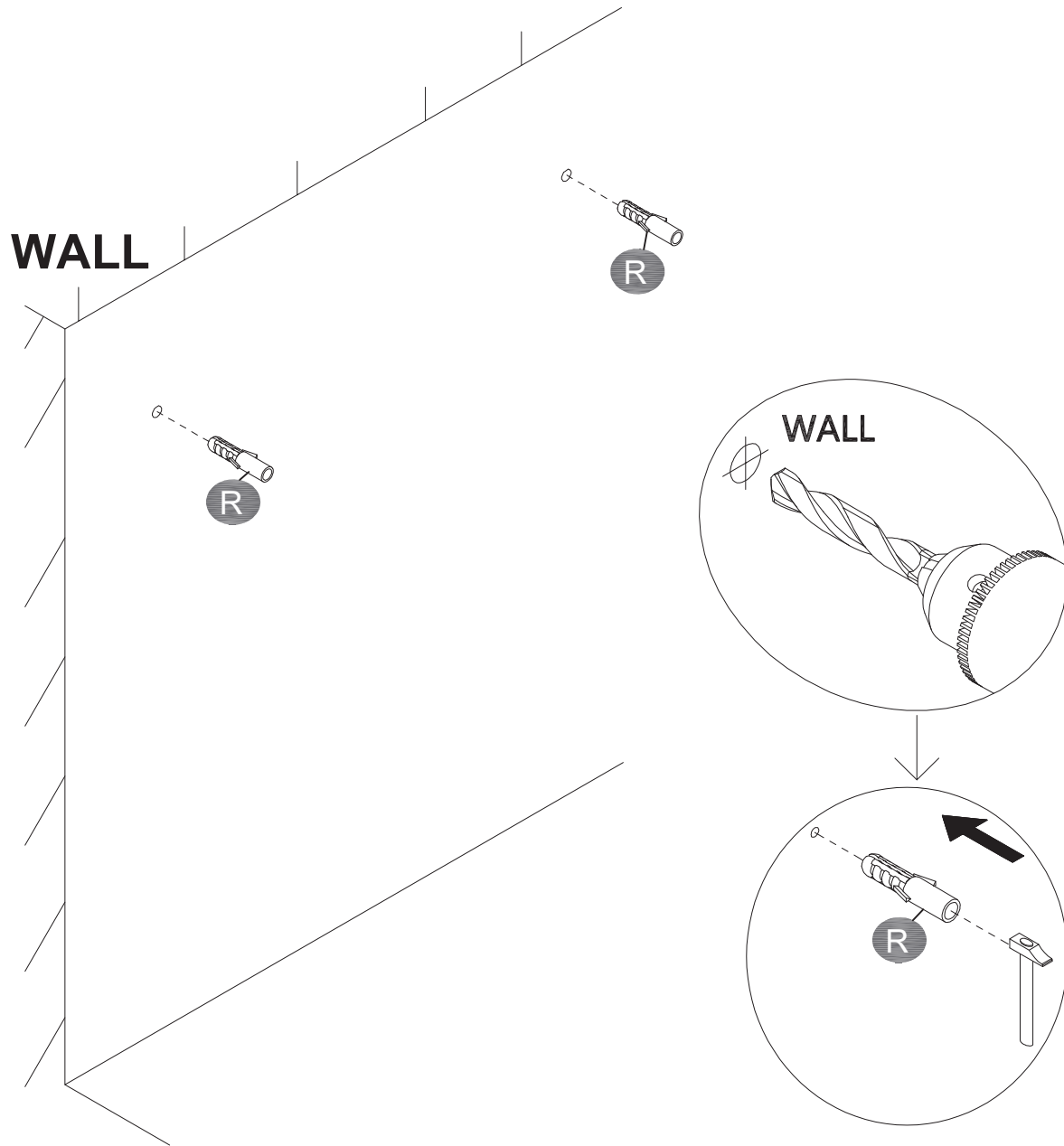
(d)



(c) TO ADJUST THE DOOR TO RIGHT OR TO LEFT  
(d) TO ADJUST THE DOOR UP OR DOWN



# Step 43



# Step 44

