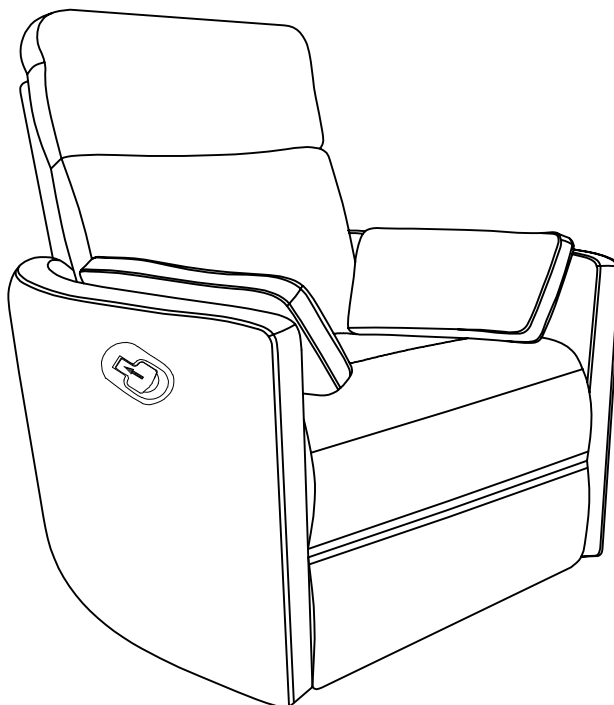
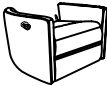




ASSEMBLY INSTRUCTIONS



COMPLETED ASSEMBLY

PARTS LIST

PARTS LIST				
A		1	CHAIR	
B		1	BACKREST	
C		2	PILLOWS	

NOTES:

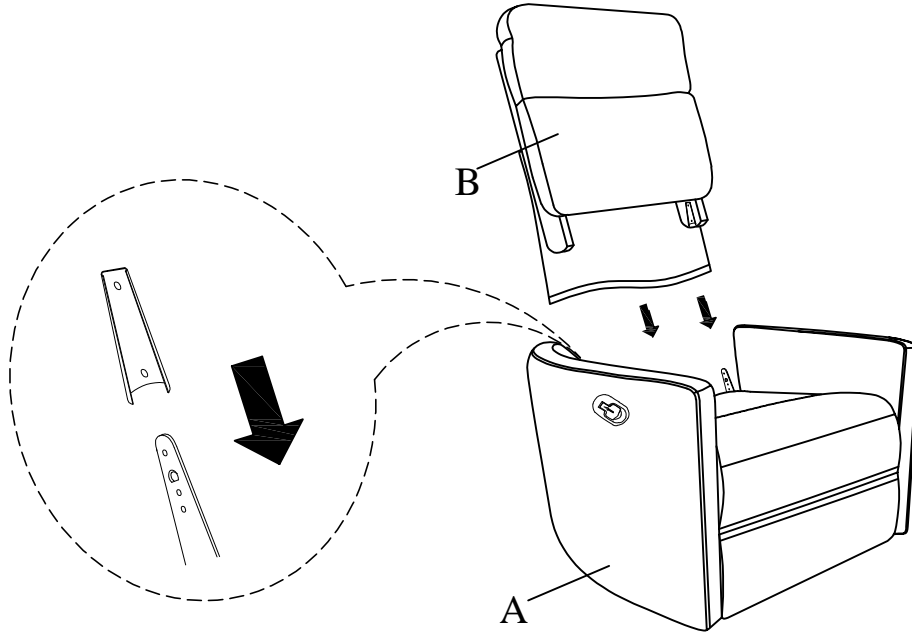
- 1.CHECK CAREFULLY FOR SMALL PARTS WHICH MAY COME LOOSE DURING SHIPMENT.
- 2.REMOVE ALL COMPONENTS FROM THE PACK AND PLACE ON A CLEAN, SOFT SURFACE TO ASSEMBLE
- 3.UNITS SHOULD BE ASSEMBLED BY TWO OR MORE PEOPLE.
- 4.DO NOT OVER -TIGHTEN SCREW/ BOLTS UNTIL ASSEMBLY IS COMPLETED.
- 5.WITH USE, SCREW MAY BE COME LOOSE & MUST BE TIGHTENED PERIODICALLY.



ASSEMBLY INSTRUCTIONS

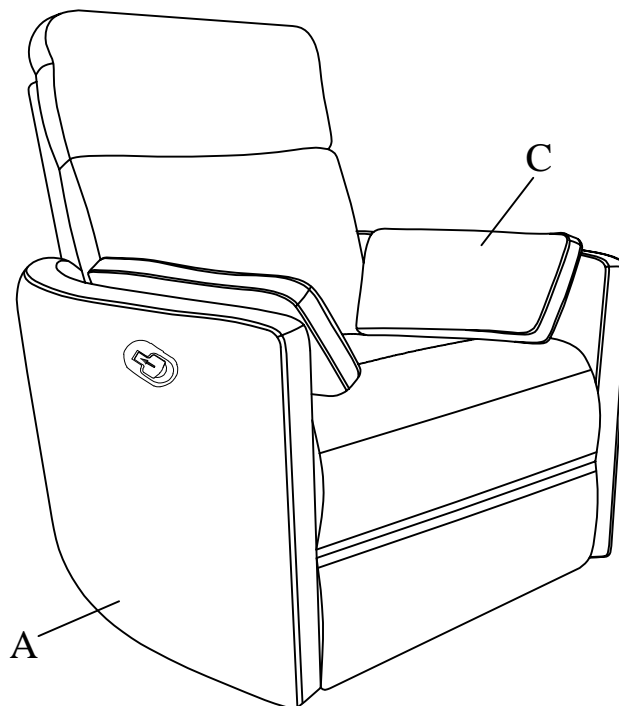
STEP 1 Important:

1. Attach **Backrest (B)** to the Chair (A).



STEP 2 Important:

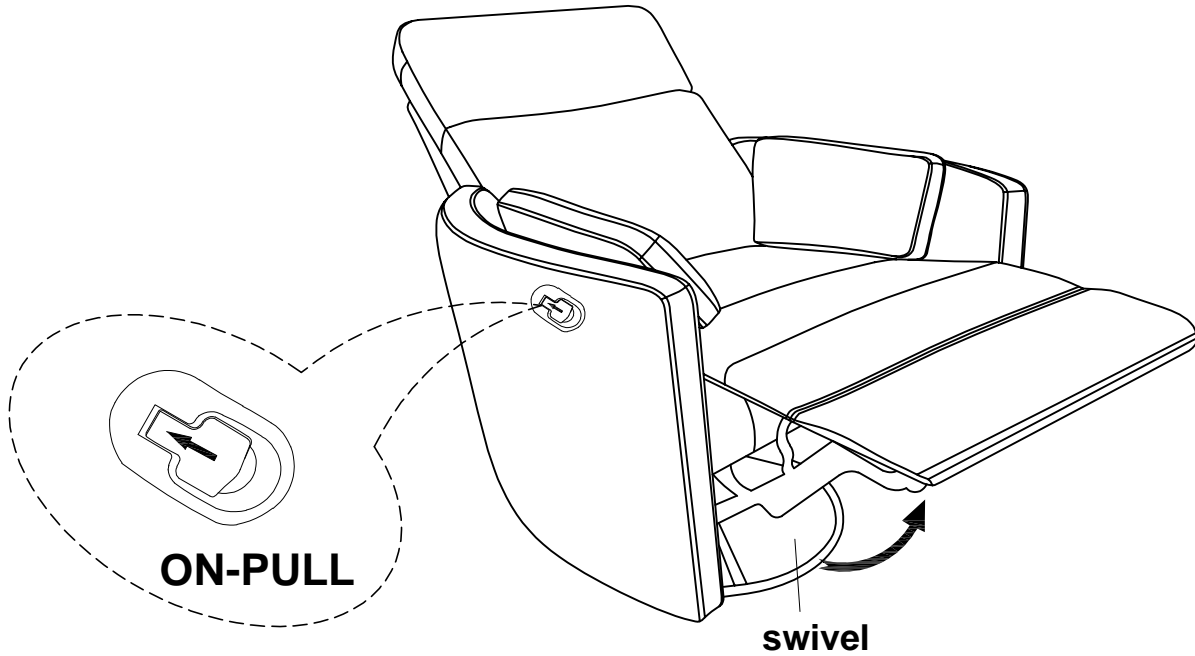
1. Attach **Pillows (C)** to the Chair (A).



ASSEMBLY INSTRUCTIONS

STEP 3 Important:

1. Open the Footrest by pulling out the Switch



STEP 4 Important:

1. Complete assembly.

