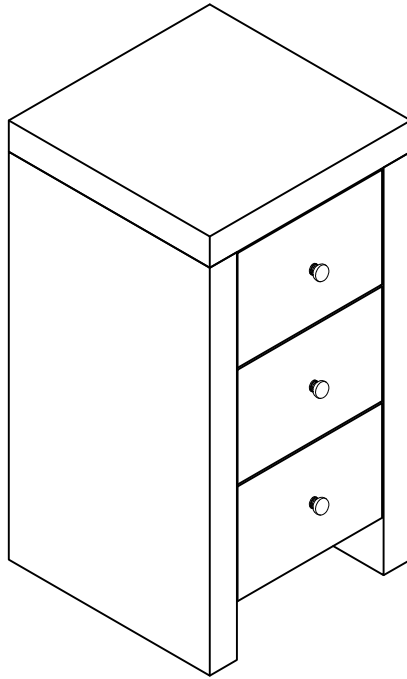


MIRRORED 3 DRAWER SLIM CHEST ASSEMBLY INSTRUCTIONS

Thank you for purchasing the MIRRORED 3 DRAWER SLIM CHEST. Please read the instructions carefully to ensure safe operation of the product.



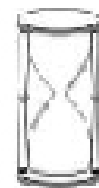
Size:30x30x60cm
Colour:Clear
Finish:Mirrored

PLEASE READ this sheet prior to assembly to familiarise yourself with the various stages of construction.

Carefully open the pack supplied and check the contents against the parts and fittings check list. Do not destroy any of the packaging until you are certain that you have all the necessary parts for the assembly.

CAUTION: There are small components used in the construction of this unit. These loose items should be kept away from young children whilst assembling your unit to avoid the danger of choking hazards.

Tools Required



10 Min
Set Up

MIRRORED 3 DRAWER SLIM CHEST ASSEMBLY INSTRUCTIONS

IMPORTANT - READ CAREFULLY - RETAIN THESE INSTRUCTIONS FOR FUTURE REFERENCE.

INFORMATION

Due to the size of this product we recommend that it is assembled in the room intended for use.
When you are ready to start, make sure that you have the right tools, plenty of space and a clean, dry area for assembly.
Unwrap all packaging materials and place the components on top of the carton box or on a clean floor to prevent it from scratching.
Check the pack and make sure you have all the parts listed.
Ensure that this product is fully assembled as illustrated before use.
Check all screws or bolts are tightened and inspect regularly
This product should only be used on firm, level ground.
Keep small parts out of reach of children.
Make sure the legs remain in contact with the ground.
Tools not included.

WARNINGS

DO NOT use power tools to construct this product.
DO NOT over tighten screws or bolts.
DO NOT use this product if parts are missing, damaged or worn.
DO NOT stand on the product.
DO NOT place very hot or very cold items on the surface unless adequately thick tablemats are used to prevent such items damaging your dresser top
If a glass component is chipped or broken, stop using the product and consult the manufacturer or supplier
We recommend the use of the wall strap provided for safety reasons. N.B.The wall fixings included are for conventional solid walls, please source suitable fixings separately for different wall types. If in doubt please consult a qualified tradesperson.
Warning: Always ensure the area to be drilled is free from hidden electricalwires, water and gas pipes.
It is essential that this unit is fixed to a wall with the fixings provided

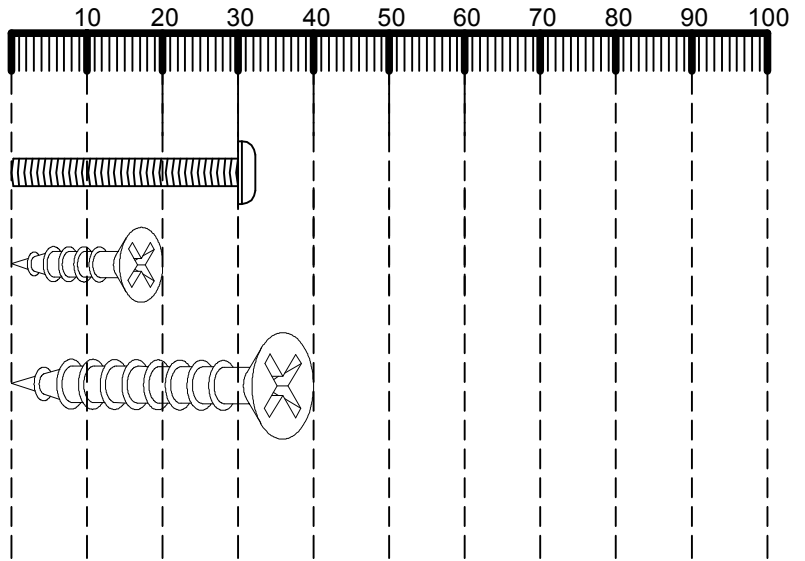
CARE INFORMATION

Never use scourers, abrasives or chemical cleaners.
To clean wipe with a sponge and warm soapy water. Do not use solvent based cleaners or detergents as they can bleach or damage the product.
When cleaning glass panels or mirrors use a damp cloth with washing up liquid or soft soap if necessary; do not use washing powders or any other substances containing abrasives since these substances scratch glass.
Do not use washing powders or any other substances containing abrasives, as these may scratch the glass

MIRRORED 3 DRAWER SLIM CHEST ASSEMBLY INSTRUCTIONS

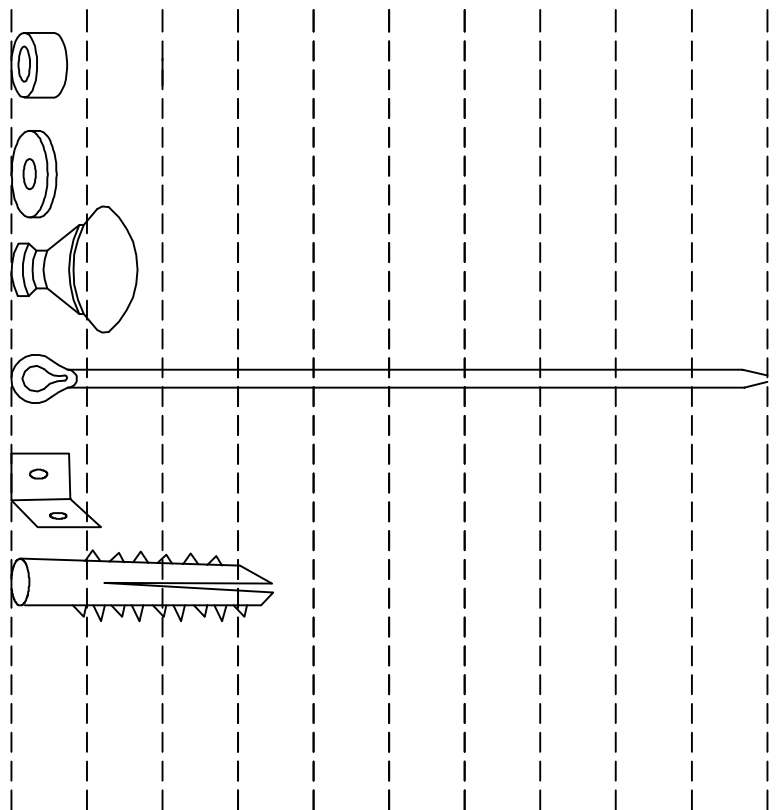
Fittings(to scale)

Ref	Dimensions	Qty
a	Screw 30mm	3
e	Screw 20mm	1
f	Screw 40mm	1

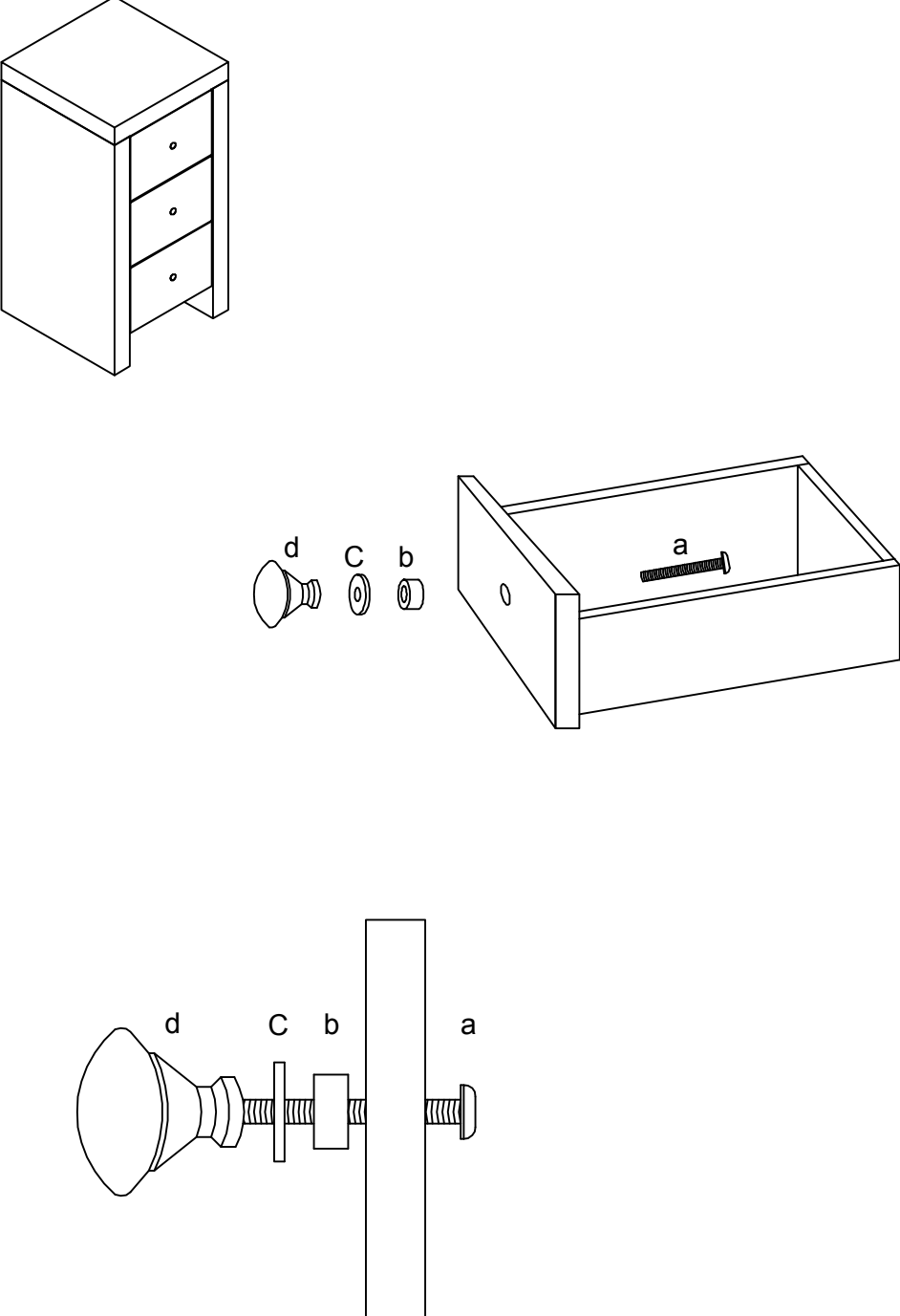


(Not to scale)

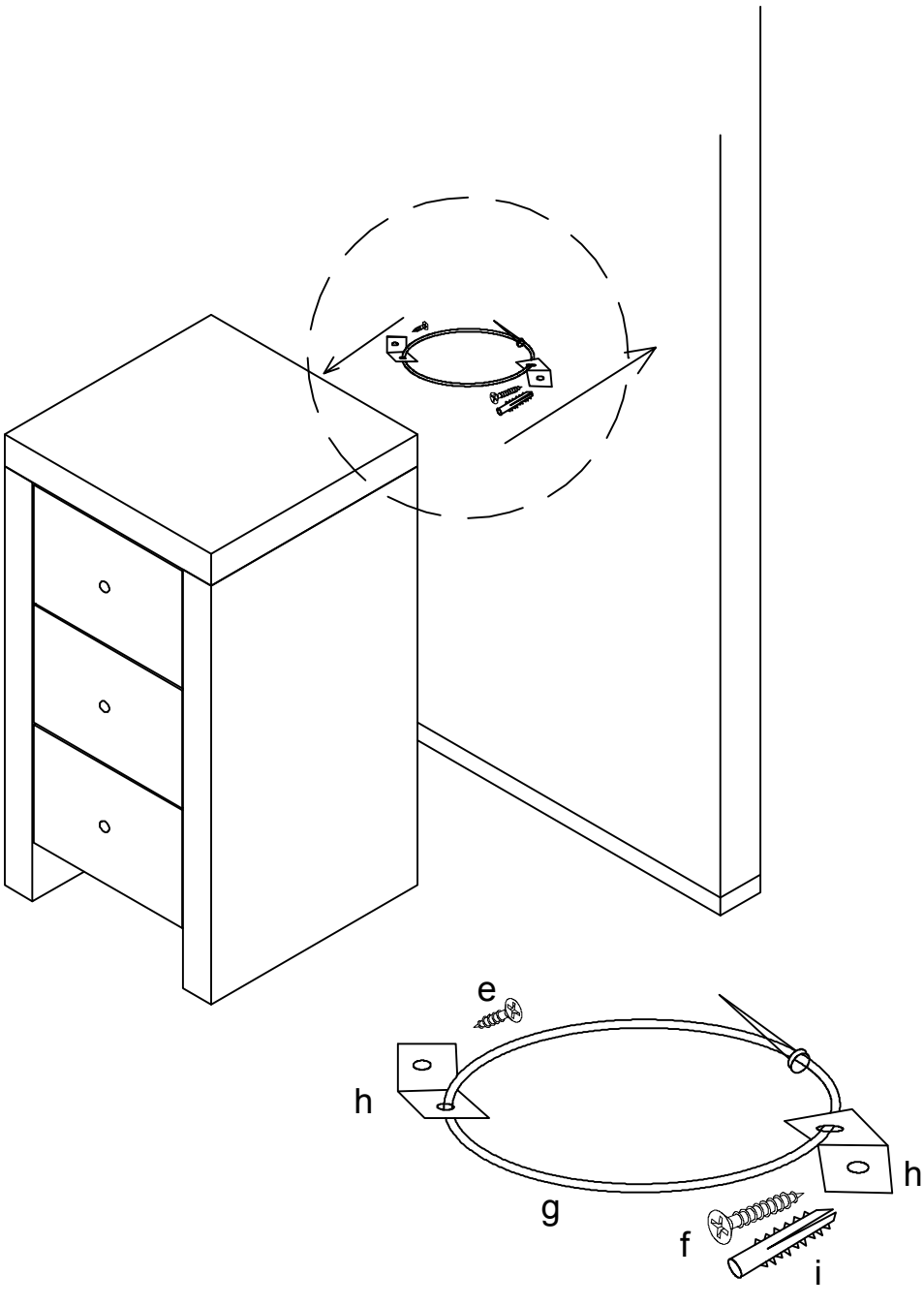
b	Spacer Nut	3
c	Washer	3
d	Handle	3
g	Strap	1
h	Bracket	2
i	Plastic wall plug	1



MIRRORED 3 DRAWER SLIM CHEST ASSEMBLY INSTRUCTIONS

STEP 1	Parts Required
 <p>The diagram illustrates the first step of assembly. It shows a perspective view of the chest with three drawers. Below it, a perspective view of a single drawer is shown with a screw (a) being inserted into the front panel. To the left of the drawer, the handle (d) is shown with its washer (c) and spacer nut (b). A detailed view at the bottom shows the handle (d) being attached to a vertical bar with a washer (c), a spacer nut (b), and a screw (a).</p>	<p>a Screw x 3 b Spacer Nut x 3 c Washer x 3 d Handle x 3</p>

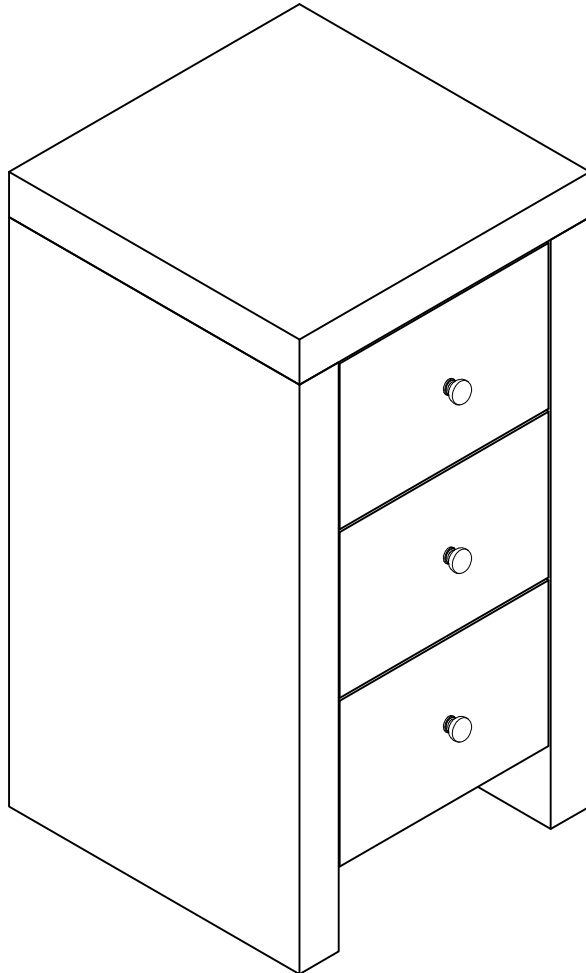
MIRRORED 3 DRAWER SLIM CHEST ASSEMBLY INSTRUCTIONS

STEP 2	Parts Required
 <p>1. Attach the wall bracket using screws suitable for your type of wall, see wall fixing above.</p> <p>2. Screw one of the brackets on to the top of the cabinet in the middle at the back, using the short screws provided, position the cabinet against the wall where you want it to go, place the second bracket on the wall above the one fixed to the cabinet and mark where the holes come on the wall, move the cabinet away from the wall.</p> <p>3. Place the cabinet back against the wall so the two brackets align before securing them together with the plastic strap provided. Close the strap carefully ensuring the cabinet remains stable and level. Do not overtighten the plastic strap.</p>	<p>e Screw x 1 f Screw x1 g Strap x 1 h Bracket x 2 i Plastic wall plug x1</p>

MIRRORED 3 DRAWER SLIM CHEST ASSEMBLY INSTRUCTIONS

Complete Assembly

Your MIRRORED 3 DRAWER SLIM CHEST is now completely assembled. Periodically check to ensure that the components are in their proper position, free from damage. Also, make sure the connectors are tight and secure.



Keep instructions for future reference.

