

ASSEMBLY INSTRUCTION

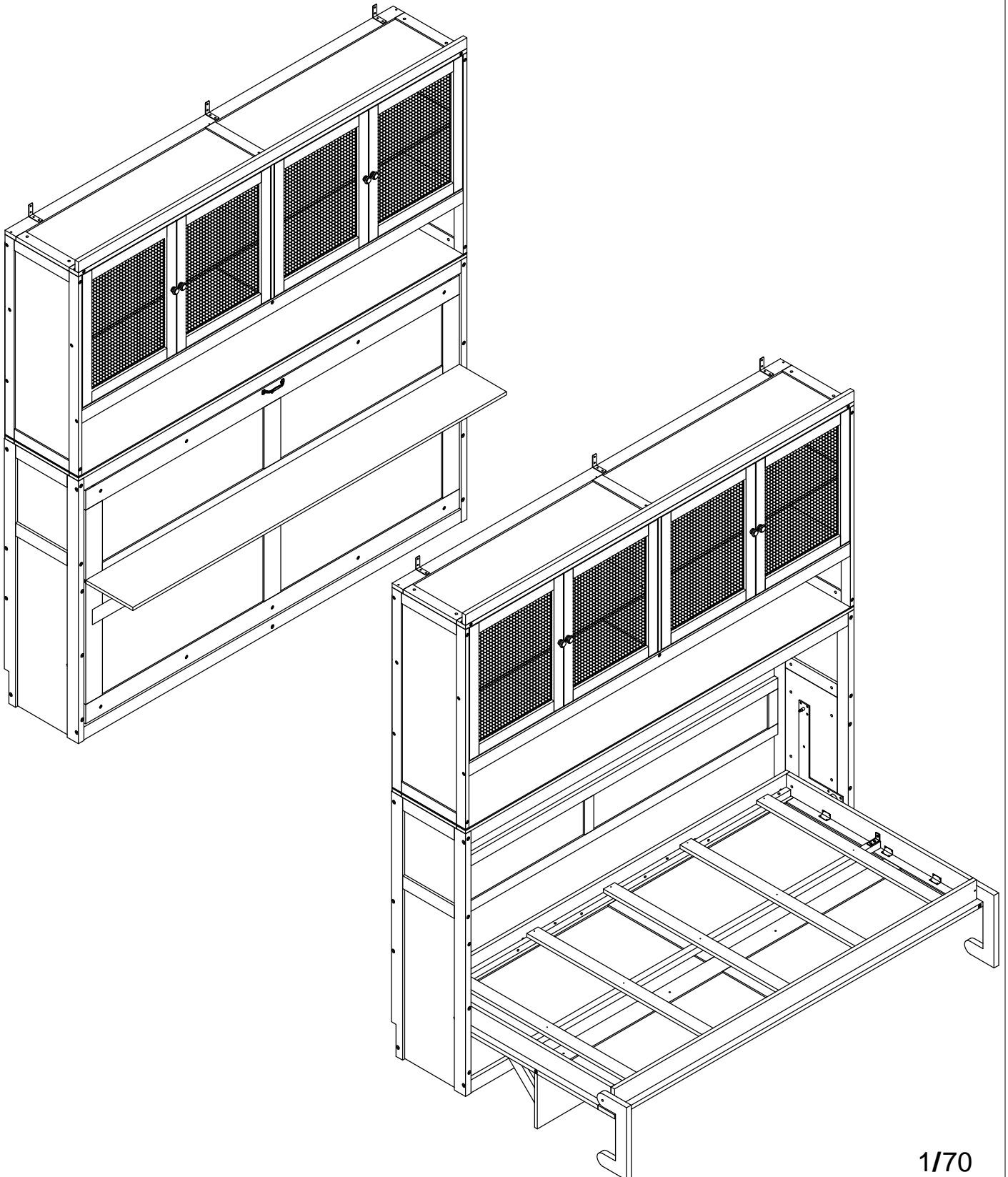
SKU CODE:

(N708P416498-N708P416499-N708P416500-N708P416501)

INSTRUCTION DE MONTAGE

CODE SKU:

(N708P416498-N708P416499-N708P416500-N708P416501)



IMPORTANT INFORMATION PACKAGE.

THIS INFORMATION PACKAGE CONTAINS WARNING AND PRODUCT SAFETY INFORMATION. DO NOT PROCEED WITHOUT REVIEWING THOROUGHLY.

A. WARNING LABELS.

Your purchased Murphy Bed is delivered to you with WARNING LABELS to constantly remind you to take and adopt Safety Measure throughout the entire assembly and mounting points of the Bed to the walls.

DO NOT REMOVE these labels.

These Warning Labels serve as a Reminder Tool for visiting friends and relatives when using the Murphy Bed to ensure Safety Precautions are taken.



WARNING.

IMPORTANT SAFETY REQUIREMENTS - Bed Attachment to Wall.

For Your Safety, the Murphy Bed MUST BE ATTACHED to the Wall.

Seek Certified Professional Consultant / Contractors for their Services to:

- 1.) DETERMINE the WALL Type in Your Home;
- 2.) PRECISE HARDWARE that suits to the Wall Type in Your Home;
- 3.) INSTALL / ATTACH of the Murphy Bed to the Wall in Your Home;
- 4.) VALIDATE the Murphy Bed is appropriately and securely installed/attached.

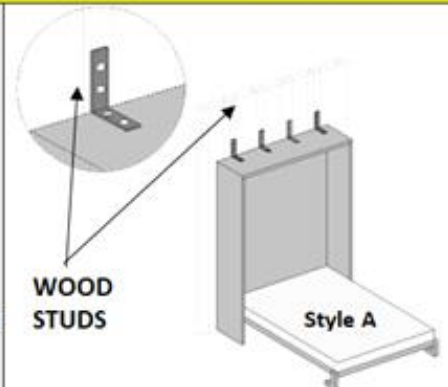
The choice of wall anchoring hardware depends on the type of wall. This Murphy Bed is delivered with HARDWARE SCREWS suited for attachment to WOOD STUDS in walls. Any STUDS type detected with your Consultant-Contractors to be **NOT WOOD STUDS** - DISCARD and DO NOT USE these SCREWS. Use the hardware suitable for your wall material.

Seek the professional advice of your Consultant-Contractor and procure the appropriate hardware and brackets for the attachment of the Murphy Bed to the Wall.

FAILURE TO ADHERE TO THE ABOVE INSTRUCTIONS MAY RESULT IN SERIOUS and/or SEVERE INJURIES or Death caused by the detachment of the Murphy Bed from the Wall.

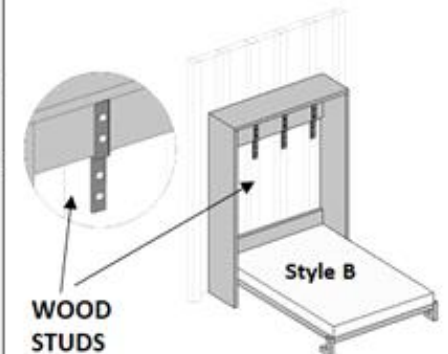
SAFETY PRECAUTION :

1.) MAXIMUM Mattress Weight suited to your Murphy Bed : __lbs (__kg);
MAXIMUM mattress thickness: __ inches (__ cm);
2.) ENSURE ADULTS ONLY throughout the entire assembly and attachment.
3.) KEEP ALL Children, Non-Ambulatory persons and Pets at bay during the entire assembly and attachment.



WOOD STUDS

Style A



WOOD STUDS

Style B

LINE ART for Reference only and NOT DRAWN TO SCALE.

MATTRESS PLACEMENT .

Only after the Murphy Bed is FULLY SECURED to the wall, the 2 adult persons who are holding down the entire Murphy Bed, can now be released for this action.

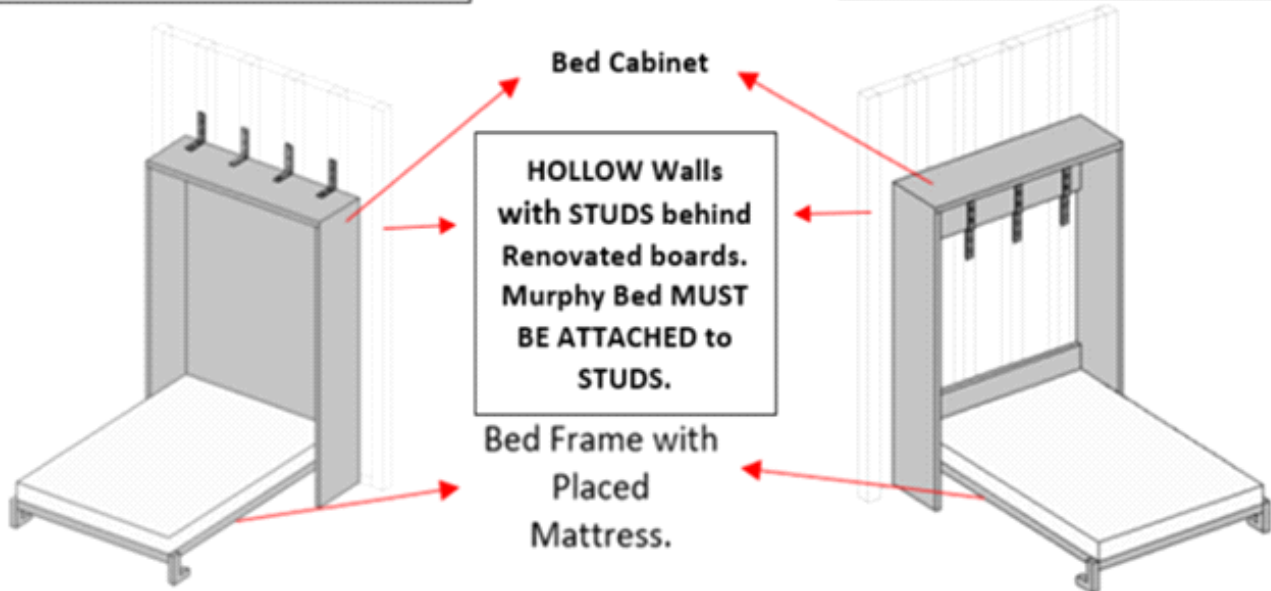
Have 1 to 2 persons – place equal strengths to the handles and gently and securely, PULL DOWN the Bed Frame until the Bed Frame is horizontally and level to the ground.

Have the other 2 persons – carry and place the Mattress (**within the recommended weight and thickness**) and gently place the Mattress on to the Bed Frame.

CAUTION : Homes are renovated differently. There are CONCRETE walls and "hollow walls". Hollow walls are reinforced with STUDS of Wooden or Steel Materials. Seek advice from professionals.

Style A - VERTICAL Murphy Bed with SEALED/CLOSED Back board.

Style B - VERTICAL Murphy Bed with OPEN STYLE Back board.



B. SAFETY REMINDERS. **MARKINGS in WALL - WHERE TO ATTACH the MURPHY BED.**

Irrespective of the wall type, whether **Solid Concrete Walls** OR **Decorative Walls with WOODEN Studs** OR **Decorative Walls with Metal Studs**, ensure that

- a.) you choose a professional installer who has a good understanding of the wall structure where the Murphy Bed is anchored, including the position of the wall studs and structural components in the case of a wood or metal structure.
- b.) precise markings of the positions of the anchor points are to be made on the wall for easy identification during the Murphy Bed attachment to the wall.
- c.) the relevant and appropriate Hardware with Metal Brackets are READY for this attachment and are within easy access for prompt and efficient attachment.

This product requires Professional Consultation and Installation*.

* When you choose the professional installer, make sure to comply with all applicable laws, regulations and rules in the city, state or country where the Murphy Bed is installed.

To have your Murphy Bed fully assembled and to achieve its intended functionality - you **MUST READ** through this entire Assembly Instructions Manual before you start the assembly of the bed

1.) **There are numerous Safety Issues and Safety Precautionary Actions that you MUST KNOW before you start the Assembly.**

2.) **CAUTION - Failure to FOLLOW / ADHERE to the GUIDE, WARNING AND REMINDERS here, may result in serious / severe injuries or death.**

3.) **PRECAUTION : For the assembly, Adult Partners only, to assist in the entire assembly. Ensure 4 (four) to 6 (six) ABLE BODIED PERSONS ONLY in the entire assembly and attachment of this Murphy Bed to the walls of your home.**

4.) **CAUTION : During the entire assembly process and attachment of the Murphy Bed to the walls of your home, Keep ALL Children, Non-Ambulatory Persons and Pets completely at bay.**

5.) **SAFETY REMINDER on / to : Personal, Family Members and Pets. The Murphy Bed may be shipped to you in 3 to 5 packages and are HEAVY. Each carton holds many parts and components. Some of these components eg., bolts and screws are relatively small* in size.**

***. During the assembly process, ensure that any misplaced bolts and nuts are picked up so that Children and or Pets do not play or ingest these.**

6.) **This Murphy Bed is intended for ADULT USE ONLY.**

7.) **This Murphy Bed is delivered to you pre-packed with Hardware - suitable for wood-framed walls renovated with WOOD STUDS ONLY.**

8.) **Your Home's Wall Type** - Every home is renovated differently with different wall(s) type / finishes. Before you proceed to assemble your Murphy Bed :

- a.) **SEEK and CONSULT Professional Services** to ascertain the wall type in the designated location where you intend to attach the Murphy Bed;
- b.) **ENSURE** the Consultant-Contractor specifically **INFORMS** you of the **WALL TYPE** in the designated spot where you intend to attach the Murphy Bed.
- c.) **ENSURE** the Consultant **INFORMS** you specifically on the matching and relevant Hardware / Brackets to secure and attach the Murphy Bed to the wall.

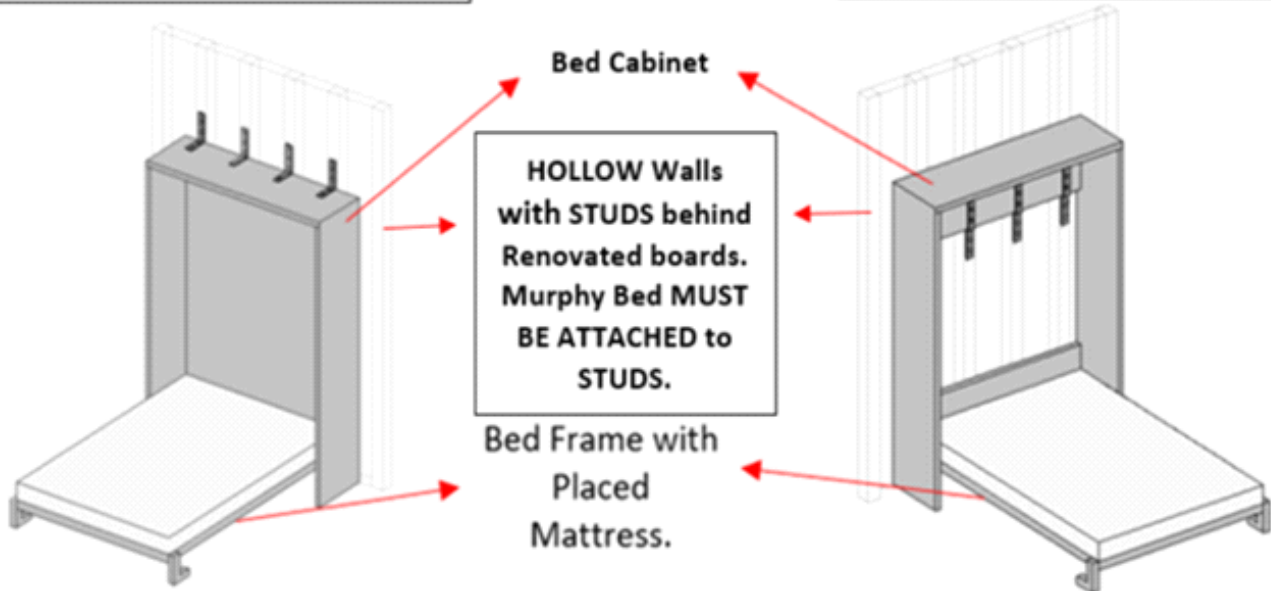
9.) **WARNING - YOU MUST HEED THE INSTRUCTIONS** given by your appointed Consultant-Contractor on the :

- a.) Mounting Hardware Type that suits the wall(s) type - where / when it is NOT WOOD STUDS, the **pre-packed Screws for Wood Stud Walls would not match/ not fit.**
- b.) Number of Mounting Points for the Murphy Bed to the Wall.

CAUTION : Homes are renovated differently. There are CONCRETE walls and "hollow walls". Hollow walls are reinforced with STUDS of Wooden or Steel Materials. Seek advice from professionals.

Style A - VERTICAL Murphy Bed with SEALED/CLOSED Back board.

Style B - VERTICAL Murphy Bed with OPEN STYLE Back board.



11.) This Murphy Bed is designed for home use and not intended for commercial use.

12.) This Murphy Bed is not intended to be moved, modified, uninstalled or disassembled once professionally installed.

A.) MOUNTING INFO & HARDWARE.

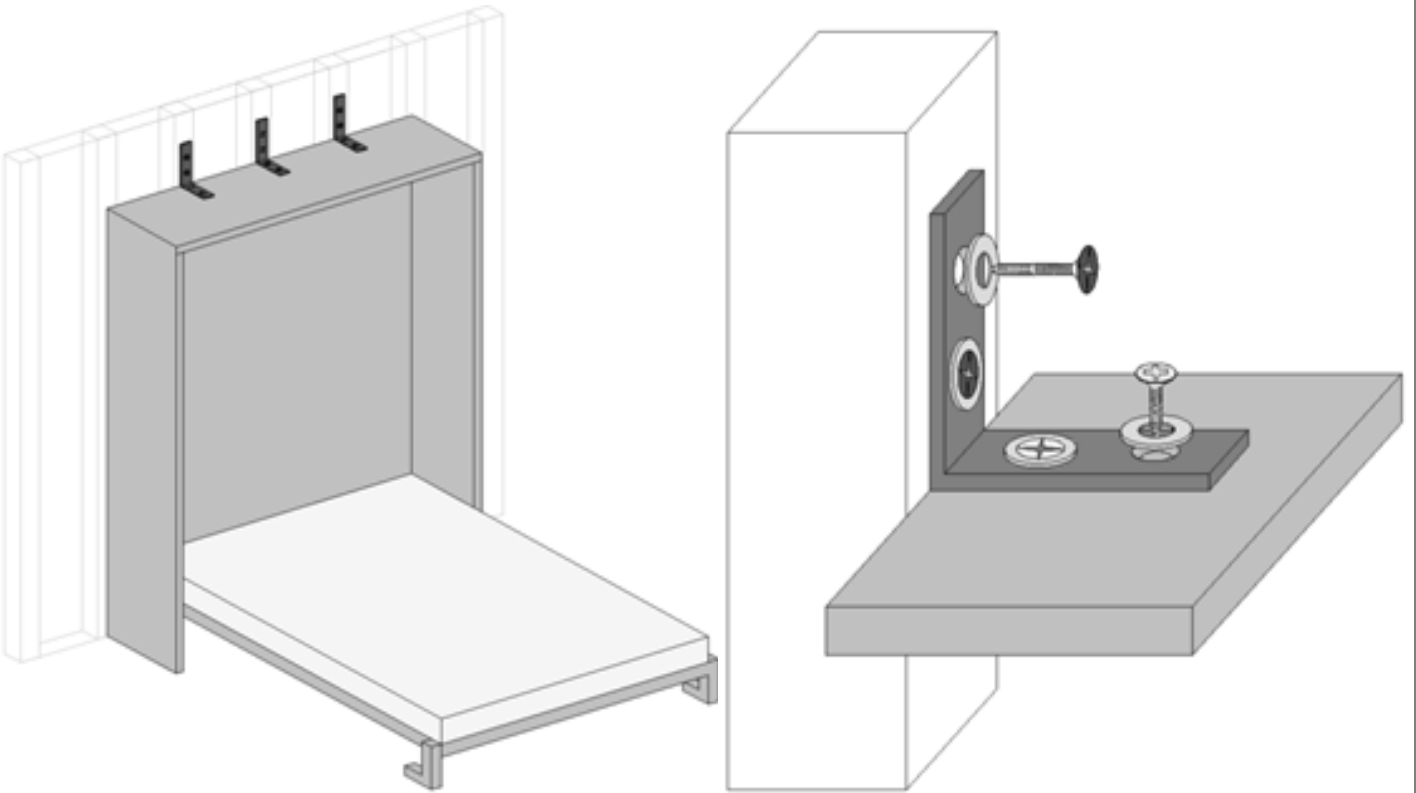
1.) REMINDERS :

- a.) **In the event, that this pre-packed Screws Set does not match to the walls in your home - DO NOT USE / DISCARD these hardware.**
- b.) **ADHERE to the Professional Consultant-Contractor instructions and information on the RELEVANT mounting hardware that suits your wall.**
- c.) Procurement of these **RELEVANT** hardware is an arrangement made between your Consultant-Contractor and you.

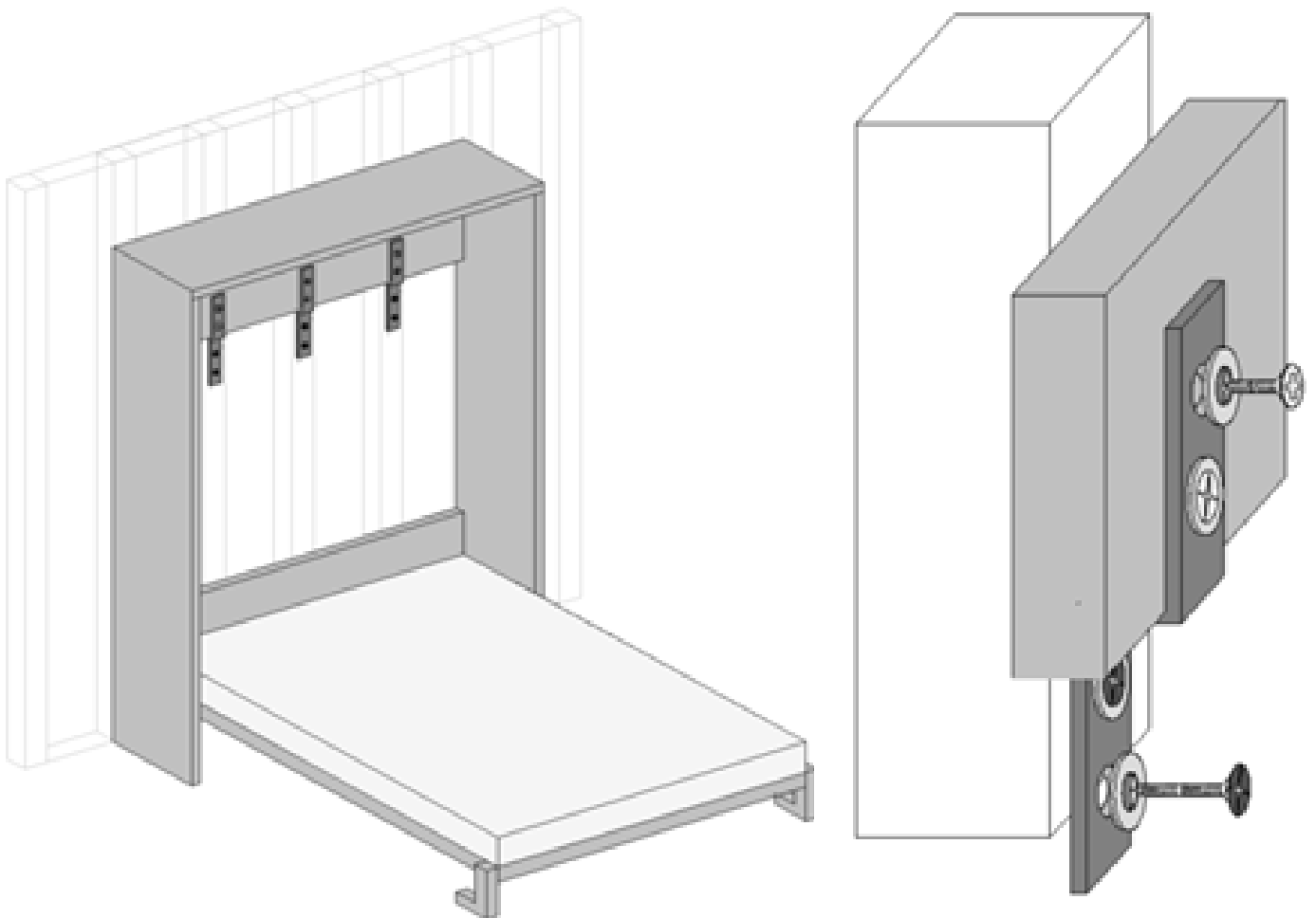
* 2.) A step ladder (not provided) is needed to attach the L-Brackets to the wall, at the Top of the Murphy Bed. **DO NOT** lean against the Top of the Murphy Bed, it may cause sagging.

Murphy Bed Style A

L-Bracket Fixture to Wood Studs



Z-Bracket Fixture to Wood Studs



D.) IDENTIFICATION of TOOLS and ATTACHMENT SKILL.

The parts and components to assemble the Bed Frame are stated in the Assembly Instructions. Follow the instructions with attention.

For an efficient assembly, after opening the cartons shipped to you :

- a.) open and layout all parts and components in sequence;
- b.) account for every part, hardware and component;
- c.) then lay out the parts close to each other;

Assemble and tighten each bolt / nut / screw up to 80% to allow for the Bed Frame and Bed Cabinet to be HELD together.

Upon FINAL assembly where all the parts and components are FITTED precisely, in a sequential manner - proceed to tighten each bolt & nut & screw gradually.

CAUTION :

- 1.) **The METAL PLATES to the sides of the Side Rails - MUST BE FULLY and SECURELY TIED to the SIDE RAILS.**
- 2.) **The Piston L-Brackets that are attached to the INNER WALL of the Bed Cabinet - MUST BE FULLY and SECURELY TIED to these Inner Walls.**
- 3.) **These Metal Plates and the L-Brackets - are the components that are holding the Pistons that allow your Bed to “travel” to an OPEN or CLOSED position.**
- 4.) **Frequent Inspections of these Metal Plates / Brackets and Pistons Bolts, up to Once a Month - to ascertain these DO NOT BECOME LOOSE. For if these bolts to the Bed Frame and or Bed Cabinet or Pistons are loose, may cause the BED FRAME to become DISLODGED and cause injuries.**

REMINDER : NEVER FULLY TIGHTEN any screw / nut or bolt in one session. If you DO TIGHTEN the hardware all the way into the core of the wood, this cause the parts to become skewed that would impact other parts of the item not being able to be aligned to its mounting points for assembly.

E. ALL ASSEMBLY WORKS REQUIRES A TEAM OF NO LESS THAN 4 ADULTS.

Reminder : Per above info, the cartons and products are heavy - therefore exercise CAUTION at all times and ENSURE YOUR TEAM OF 4 for the entire ASSEMBLY.

F.) ASSEMBLY of BED FRAME.

Identify all parts and components for the Bed Frame.
Assemble the Bed Frame according to the Assembly Instructions.

Upon completion of assembly of the Bed Frame, make a final inspection that all joints and parts are fully and securely attached.

Then place this assembled Bed Frame horizontally flat on the ground, some 10feet away, so as to allow room for the assembly of the Bed Cabinet.

G.) ASSEMBLY OF BED CABINET.

Identify all parts and components for the Bed Cabinet.
Assemble the Bed Cabinet according to the Assembly Instructions.

Upon the completion assembly of the Bed Cabinet, make a final inspection that all joints and parts are fully and securely attached.

CLEAR all debris in the area where your Murphy Bed is going to be attached to the wall.

Move this FULLY ASSEMBLED BED CABINET and position this BED CABINET some 2feet to 3 feet away from the designated Wall, where you have previously made markings.

SAFETY REMINDER - The Cabinet is NOT ATTACHED TO THE WALL, YET. From here on - YOU MUST HAVE 2 ADULT to HOLD and STABILISE this BED CABINET, to prevent the Bed Cabinet from TIPPING OVER.

H. ATTACHMENT OF BED FRAME TO BED CABINET.

Safety Reminder : DO ENSURE the 2 adult persons holding the Bed Cabinet is IN POSITION ALL THE TIME.

The other 2 adults shall lift and carry the Bed Frame and attach to the L-Bracket - at the inner walls of the Bed Cabinet.

Thereafter, gently LIFT THE Bed Frame to a CLOSED POSITION.

I.) ATTACHMENT OF PISTONS TO HOLD & SUPPORT BED CABINET TO BED FRAME.

The Murphy Bed, is now still placed at 2feet to 3feet, from the wall.

The 2 adults, upon attachment the Bed Frame to the Bed Cabinet, shall get the Pistons, and move to the back of the Murphy Bed. Both persons shall - then attach the Pistons to the Bed Frame and Bed Cabinet.

You may need to - LIGHTLY slide forward-backward to adjust and create gap space so as to enable the Pistons to be hooked to both ends of the hanging bolts in the Inner Wall of the L-BRACKET

Fully Secure and Tighten these Bolts at each end of the Pistons.

J.) Attachment of Safety Latches.

Upon completion of Step I above, ensure the entire structure of Bed Frame to Cabinet is fully and securely attached as ONE UNIT - affix the Safety Latches.

These Latches are to be reachable by Adults Only. Thus, the minimum height shall be no less than 5feet (1.5m) from ground.

K.) POSITIONING THE MURPHY BED INTO ITS FINAL POSITION.

At this juncture, the Murphy Bed is ASSEMBLED BUT NOT AS A FULL & COMPLETE piece of furniture AND NOT FUNCTIONAL AS A BED YET, as it is NOT SECURED TO THE WALL.

DO NOT ATTEMPT TO OPEN THE MURPHY BED AND OR TEST SLEEP AND OR LIE-INTO the Murphy Bed.

ALL 4 (four) adults shall now move the entire Murphy Bed to the FINAL DESIGNATED Position, matching to the previously marked "SCREW-IN" positions in the walls.

L) ATTACHMENT OF MURPHY BED TO WALL.

With the Murphy Bed now in its final designated spot, 2 adult persons shall continue to hold down the entire Murphy Bed.

REMINDER : FOLLOW the INSTRUCTIONS from your Professional Consultant / Contractor.

Position the Ladder (where necessary) and FULLY & SECURELY turn in the BOLTS or SCREWS into the CONCRETE WALL or WOODEN STUDS or STEEL STUDS.

SEQ	Bed Description	Bed Size	Details.
1	Single/Twin(XL)	~38*75/80~ inches	Attach at least 2 pieces of L or Z Hardware onto the Wall or Studs;
2	Full	54*75inches	Install at least 3 pieces of L or Z Hardware onto the Wall or Studs;
3	Queen	60*80inches	Install at least 3 pieces of L or Z Hardware onto the Wall or Studs;
4	King	76*80inches	Install at least 4 pieces of L or Z Hardware onto the Wall or Studs;
5	Other Bed Size		Other Bed Sizes - seek advice from your Contractor

Recommended Mattress weight (77)lb or (35)kg / Recommended Mattress thickness (8)in or (20)cm - Your Murphy Bed is made having taken into consideration the Bed Frame Weight and Mattress weight to pair with the Pistons Newton Force.

Therefore, load your bed with the RECOMMENDED MATTRESS Weights, Size and Thickness as stated here in the assembly instructions.

DO NOT LOAD any heavier and or LARGER and or LIGHTER Mattress than what is recommended here.

M.) MATTRESS PLACEMENT.

Only after the Murphy Bed is FULLY SECURED to the wall, the 2 adult persons who are holding down the entire Murphy Bed, can now be released for this action.

Have 1 to 2 persons - place equal strengths to the handles and gently and securely, PULL DOWN the Bed Frame until the Bed Frame is horizontally and level to the ground.

Have the other 2 persons - carry and place the Mattress (**within the recommended weight and thickness**) and gently place the Mattress on to the Bed Frame.

N) PISTON NEWTON-LOAD STRENGTH.

You are hereby reminded that when the BED FRAME is EMPTY OF MATTRESS, the Bed Frame may NEED a STRONGER force to be pulled down before you can place the Mattress.

This RESISTANCE to be PULLED DOWN is a normal characteristics of the Pistons Newton-Load force is "in action".

O) BED STRAP - GUIDE STRAP

Your Murphy Bed may or may not come equipped with a Bed Strap.

This Bed Strap serves as a GUIDE STRAP to help you lift the Bed Frame some 6 inches or so off its resting position. Then use both hands to FULLY LIFT HOIST the Bed Frame to its closing position.

SAFETY REMINDER :

- 1.) DO NOT USE THE BED STRAP to PULL DOWN TO OPEN the BED FRAME from its CLOSED POSITION.**
- 2.) DO NOT USE THE BED STRAP to PULL-LIFT-HOIST the BED FRAME from the OPENED-HORIZONTAL position, to the CLOSED POSITION.**

Both the above may cause injury and or unnecessary strain to your arm(s).

P.) USING YOUR MURPHY BED.

For EVERY USE - exercising Safety Precautionary Measures to ensure the safety of your family members and pets **are** IMPORTANT.

Therefore, PRIOR TO OPENING / PRIOR TO CLOSING OF YOUR MURPHY BED - Make sure all Children / Non Ambulatory Persons and Pets are at bay.

KEEP CHILDREN and NON-AMBULATORY persons from Unlatching the Safety Latches.

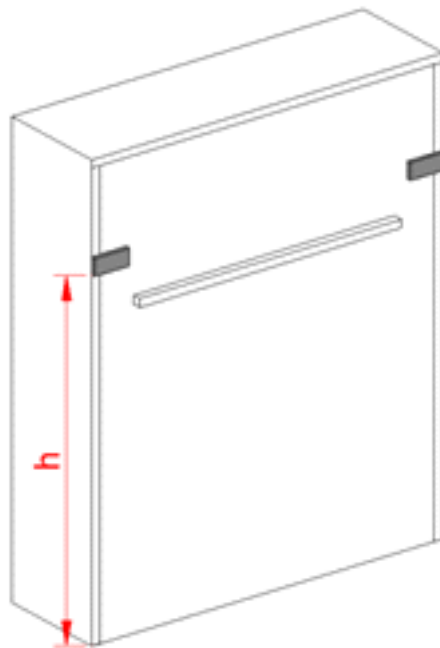
Q.) CAUTION : DO NOT BE DISTRACTED During EVERY OPENING and CLOSING of your Murphy Bed.

Every time you Pull to **OPEN** the Murphy Bed from its closed position OR **Lift-Pull to CLOSE** the Murphy Bed to stow it into the Bed Cabinet -

- give these actions your focused and dedicated attention.
- **DURING EVERY OPENING and CLOSING of your Murphy Bed** - always ensure you have an Adult Partner close by for added assistance, where necessary.
- **DO NOT OVER EXERT ADDED FORCE to OPEN the Bed or to CLOSE the Bedframe.** For if you do, the resistance of the Piston will only make it harder for you to complete the task.
- **TO CLOSE the Murphy Bed** : depending on your height - stand some 6 inches to 10 inches away from the FootBoard edge. Use both your hands and place both hands at about equal distance from the middle of the Bed Frame, spaced at 2 to 3 feet between your hands - GENTLY LIFT-PULL to Close your Murphy Bed.
- **TO OPEN the Murphy Bed** : using equal force - **place your hands to the installed grab handle** and GENTLY PULL towards you to Open. **As you pull Open the Murphy Bed - proceed to move backwards, slowly and steadily, so as to give way to the Murphy Bed's OPEN Position.**

- During **EVERY OPENING or CLOSING** of the Murphy Bed - at about your hip level - you may find that you need to rotate your hand / wrist - take caution here to prevent injury.
- During EVERY OPENING and CLOSING, keep Children and Pets and Non Ambulatory Persons at bay.
- **NEVER** allow your children to treat this Murphy Bed as a Hide and Seek place of fun or jump on the bed.
- **Care & Maintenance** - Depending on the frequency of use of your Murphy Bed, it is recommended that you take precautionary Care and Maintenance. It is advisable to conduct **NO LESS THAN 2 to 3** checks annually on these mounting points & pistons to ensure that these are securely bolted. Where necessary, use a vacuum cleaner to clear all dust and then wipe down with a damp cloth, then proceed with your maintenance work.

Safety Latches - Your Murphy Bed comes with two (2) Safety Latches. These are to be attached at both the **TOP LEFT** and **TOP RIGHT** hand upper portion, **minimum of 5 feet (1.5m) from ground**, of the Bed Frame / Bed Cabinet. Monitor and Inspect these frequently.



- Whenever **NOT** in use and after the Murphy Bed has been **LIFTED** and stowed in its **CLOSED POSITION** - **ALWAYS LATCH UP**.

Frequently Asked Questions. **Malfunctioned Pistons.**

How do you know when the Murphy Bed's Piston has malfunctioned?

It would be quite evident in that :

- a.) the Bed Frame may become **LOPSIDED** and
- b.) the **Lift-PULL** force to **CLOSE** may be "heavier" than before.

IMMEDIATELY - STOP USING YOUR MURPHY BED.

SEEK and CONSULT professional maintenance service to ascertain the problem and repair and or have the pistons changed.

ASSEMBLY INSTRUCTION

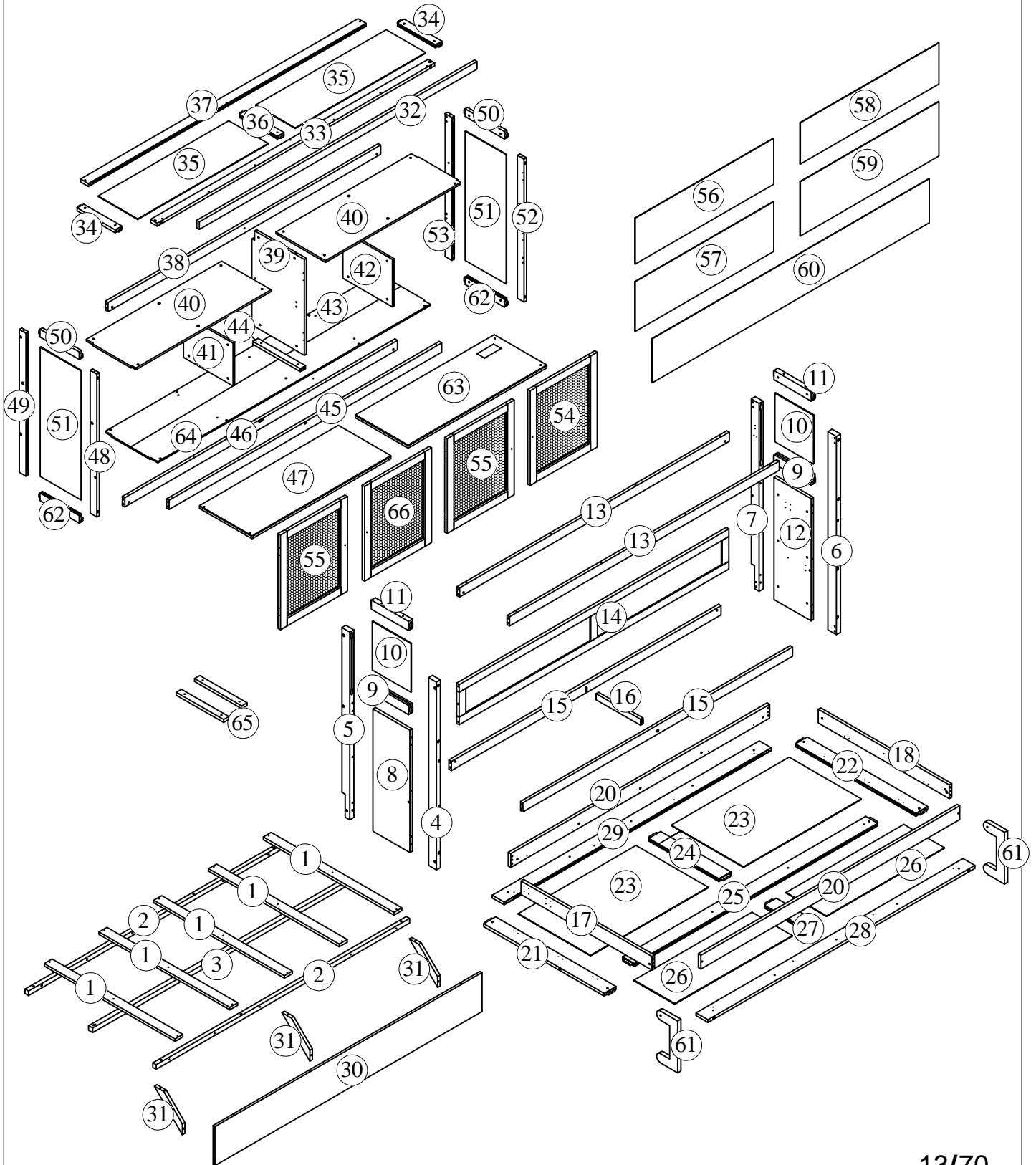
SKU CODE:

(N708P416498-N708P416499-N708P416500-N708P416501)

INSTRUCTION DE MONTAGE

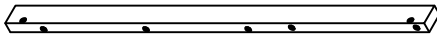
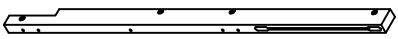
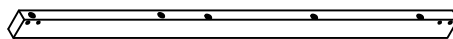
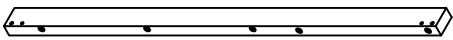
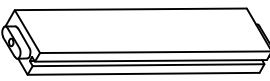
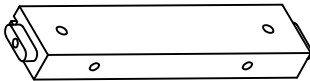

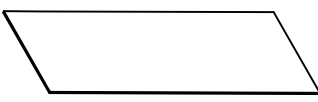
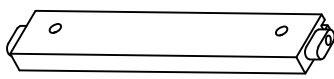
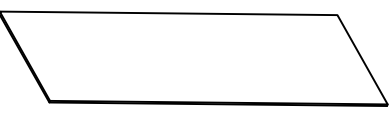

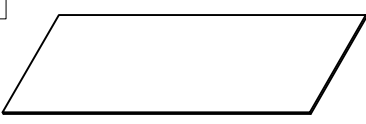

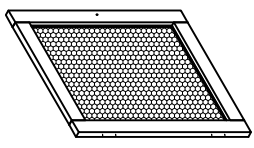
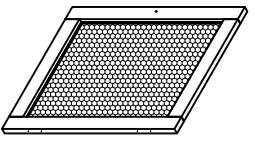
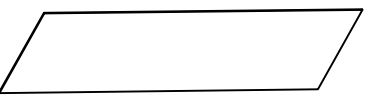
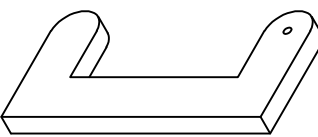
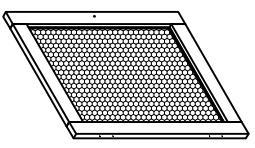
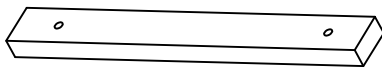
CODE SKU:

(N708P416498-N708P416499-N708P416500-N708P416501)



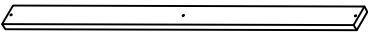
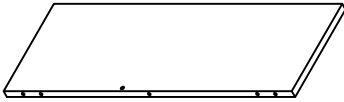
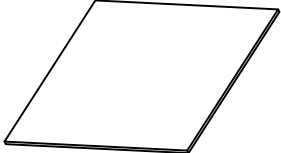

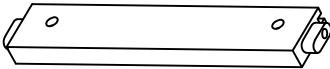

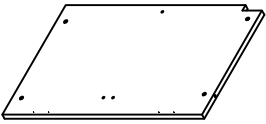
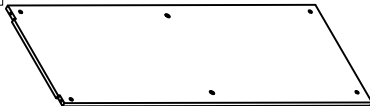
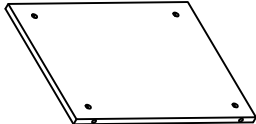
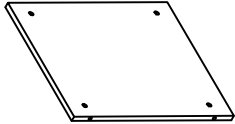

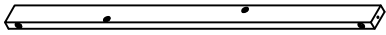

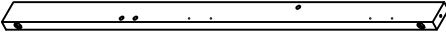

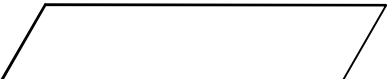



Part List (Box 1-N708P416498)

Liste des pcs

<p>4</p>  <p>Front-left leg- 1 pc Pied avant-gauche- 1 pc</p>	<p>5</p>  <p>Rear-left leg- 1 pc Pied arrière-gauche- 1 pc</p>	<p>6</p>  <p>Front-right leg- 1 pc Pied avant-droit- 1 pc</p>
<p>7</p>  <p>Rear-right leg- 1 pc Pied arrière droit- 1 pc</p>	<p>9</p>  <p>Side crossbar - 2 pcs Traverse latérale - 2 pcs</p>	<p>11</p>  <p>Side crossbar - 2 pcs Traverse latérale - 2 pcs</p>
<p>23</p>  <p>Mattress base panel - 2 pcs Panneau support matelas - 2 pcs</p>	<p>26</p>  <p>Mattress base panel - 2 pcs Panneau support matelas - 2 pcs</p>	<p>34</p>  <p>Top rail- 1 pc Traverse du haut- 1 pc</p>
<p>35</p>  <p>Top panel - 2 pcs Panneau supérieur - 2 pcs</p>	<p>49</p>  <p>Rear-left crossbar- 1 pc Traverse arrière-gauche- 1 pc</p>	<p>51</p>  <p>Upper side panel- 2 pcs Panneau latéral supérieur- 2 pcs</p>
<p>53</p>  <p>Rear-right crossbar - 1 pc Traverse arrière-droit - 1 pc</p>	<p>54</p>  <p>Left door frame - 1 pc Cadre de porte gauche -1 pc</p>	<p>55</p>  <p>Right door frame - 2 pcs Cadre de porte droit - 2 pcs</p>
<p>56</p>  <p>Back panel - 1 pc Panneau arrière - 1 pc</p>	<p>61</p>  <p>U-leg - 2 pcs Pied en U - 2 pcs</p>	<p>66</p>  <p>Left door frame - 1 pc Cadre de porte gauche -1 pc</p>
<p>65</p>  <p>Crossbar - 2 pcs Barre transversale - 2 pcs</p>		

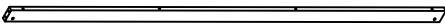
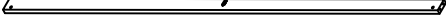
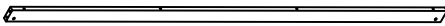
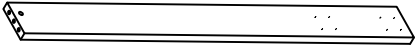
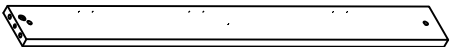
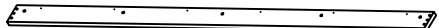
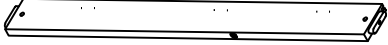




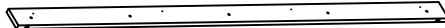

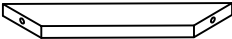


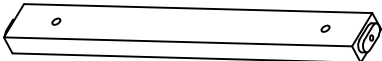


Part List (Box 2-N708P416499)

Liste des pcs

<p>1</p>  <p>Slat- 5 pcs Latte- 5 pcs</p>	<p>8</p>  <p>Left side panel- 1 pc Panneau latéral gauche- 1 pc</p>	<p>10</p>  <p>Side panel- 2 pcs Panneau latéral- 2 pcs</p>
<p>12</p>  <p>Right side panel- 1 pc Panneau latéral droit- 1 pc</p>	<p>34</p>  <p>Top rail- 1 pc Traverse du haut- 1 pc</p>	<p>36</p>  <p>Top rail- 1 pc Traverse du haut- 1 pc</p>
<p>39</p>  <p>Middle divider panel - 1 pc Panneau séparateur central - 1 pc</p>	<p>40</p>  <p>Top shelf panel - 2 pcs Panneau supérieur de l'étagère - 2 pcs</p>	<p>41</p>  <p>Divider panel - 1 pc Panneau séparateur - 1 pc</p>
<p>42</p>  <p>Divider panel - 1 pc Panneau séparateur - 1 pc</p>	<p>47</p>  <p>Bed top panel - 1 pc Panneau supérieur du lit - 1 pc</p>	<p>48</p>  <p>Front-left crossbar- 1 pc Traverse avant-gauche- 1 pc</p>
<p>50</p>  <p>Crossbar - 2 pcs</p>	<p>52</p>  <p>Front-right crossbar- 1 pc Traverse avant-droit- 1 pc</p>	<p>57</p>  <p>Back panel - 1 pc Panneau arrière - 1 pc</p>
<p>58</p>  <p>Back panel - 1 pc Panneau arrière - 1 pc</p>	<p>59</p>  <p>Back panel - 1 pc Panneau arrière - 1 pc</p>	<p>62</p>  <p>Crossbar - 2 pcs Barre transversale - 2 pcs</p>
<p>63</p>  <p>Bed top panel - 1 pc Panneau supérieur du lit - 1 pc</p>		



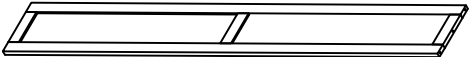
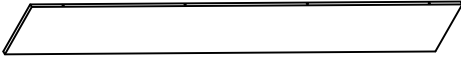
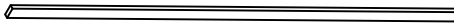

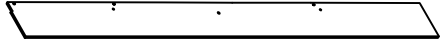

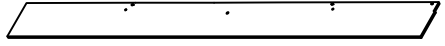
Part List (Box 3-N708P416500)

Liste des pcs

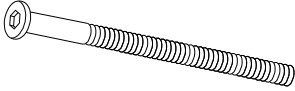

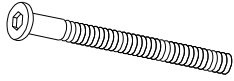
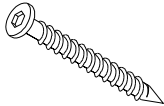
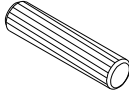
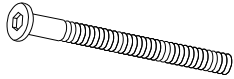
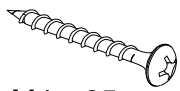
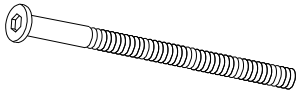
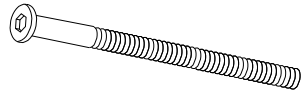
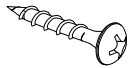
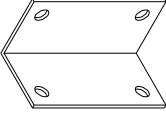
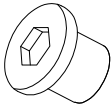
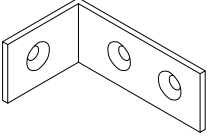
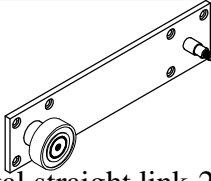
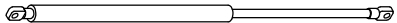
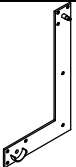
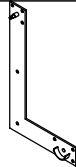
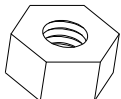
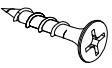
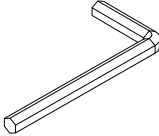
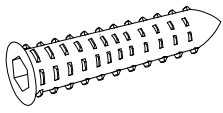
<p>13</p>  <p>Top crossbar- 2 pcs Traverse supérieure- 2 pcs</p>	<p>15</p>  <p>Bottom crossbar - 2 pcs Traverse inférieure - 2 pcs</p>	<p>16</p>  <p>Bottom crosspiece - 1 pc Traverse inférieure - 1 pc</p>
<p>17</p>  <p>Upper Bed Side Rail - 1 pc Longeron latéral supérieur du lit - 1pc</p>	<p>18</p>  <p>Upper Bed Side Rail - 1 pc Longeron latéral supérieur du lit - 1pc</p>	<p>20</p>  <p>Upper Bed Side Rail - 2 pcs Longeron latéral supérieur du lit - 2pcs</p>
<p>21</p>  <p>Lower Bed Side Rail - 1 pc Longeron latéral inférieur du lit - 1pc</p>	<p>22</p>  <p>Lower Bed Side Rail - 1 pc Longeron latéral inférieur du lit - 1pc</p>	<p>24</p>  <p>Mattress frame crossbar- 1 pc Traverse cadre matelas- 1 pc</p>
<p>25</p>  <p>Middle mattress crossbar - 1 pc Traverse centrale du matelas - 1pc</p>	<p>27</p>  <p>Mattress frame crossbar- 1 pc Traverse cadre matelas- 1 pc</p>	<p>28</p>  <p>Mattress frame crossbar- 1 pc Traverse cadre matelas- 1 pc</p>
<p>29</p>  <p>Mattress base panel - 1 pc Panneau support matelas - 1 pc</p>	<p>31</p>  <p>Mattress frame crossbar- 3 pcs Traverse cadre matelas- 3 pcs</p>	<p>37</p>  <p>Top crossbar - 1 pc Traverse supérieure - 1 pc</p>
<p>38</p>  <p>Upper rear crossbar - 1 pc Traverse arrière haute - 1 pc</p>	<p>44</p>  <p>Crossbar - 1 pc Barre transversale - 1 pc</p>	<p>45</p>  <p>Bottom shelf crossbar- 1 pc Traverse cadre matelas- 1 pc</p>
<p>46</p>  <p>Bottom shelf crossbar- 1 pc Traverse cadre matelas- 1 pc</p>		

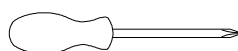
Part List (Box 4-N708P416501)

Liste des pcs

<p>2</p>  <p>Slat support bracket- 2 pcs Support de latte- 2 pcs</p>	<p>3</p>  <p>Slat support bracket- 1 pc Support de latte- 1 pc</p>	<p>14</p>  <p>Rear frame - 1 pc Cadre arrière - 1 pc</p>
<p>30</p>  <p>Tabletop - 1 pc Plateau de table - 1 pc</p>	<p>32</p>  <p>Top crossbar - 1 pc Traverse supérieure - 1 pc</p>	<p>33</p>  <p>Top crossbar - 1 pc Traverse supérieure - 1 pc</p>
<p>43</p>  <p>Bottom shelf panel - 1 pc Panneau inférieur de l'étagère - 1pc</p>	<p>60</p>  <p>Back panel - 1 pc Panneau arrière - 1 pc</p>	<p>64</p>  <p>Bottom shelf panel - 1 pc Panneau inférieur de l'étagère - 1pc</p>

Hardware List (Box 1 - N708P416498)

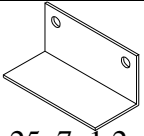
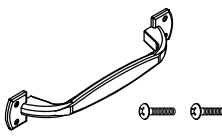
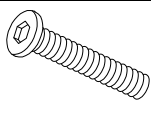
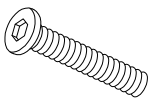
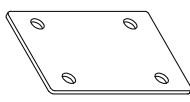
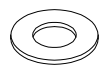
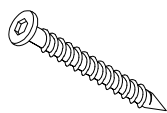
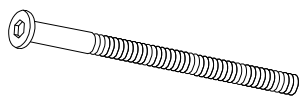
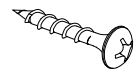
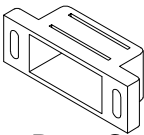
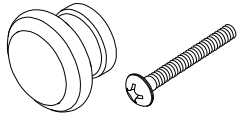
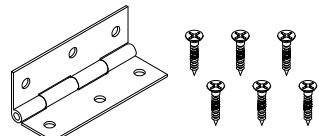
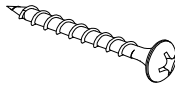
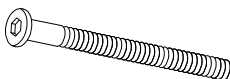
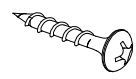
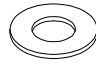
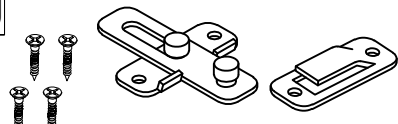
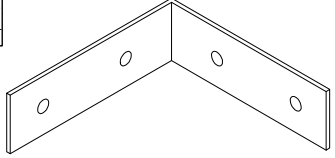
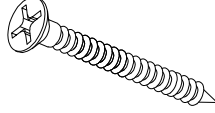
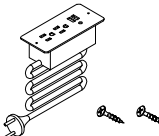
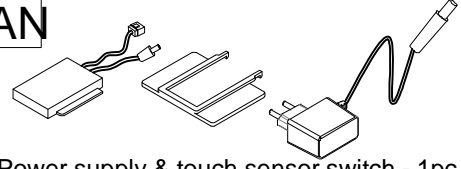
<p>A</p>  <p>Ø1/4" x 100 mm Hex-Head bolts 18 pcs Boulons à tête hexagonale 18 pcs</p>	<p>B</p>  <p>Ø1/4" x 12 mm Horizontal-Hole bolts 94 pcs Boulons à trous horizontaux 94 pcs</p>	<p>C</p>  <p>Ø1/4" x 80 mm Hex-Head bolts 2 pcs Boulons à tête hexagonale 2 pcs</p>
<p>D</p>  <p>1/4" x40 Screws 20 pcs Vis 20 pcs</p>	<p>E</p>  <p>Ø8 x 30 mm Wood dowel 40 pcs Cheville en bois 40 pcs</p>	<p>F</p>  <p>Ø1/4" x 70 mm Hex-Head bolts 22 pcs Boulons à tête hexagonale 22 pcs</p>
<p>G</p>  <p>M4 x 35 mm Wood Screws 41 pcs Vis à bois 41 pcs</p>	<p>H</p>  <p>Ø1/4" x 60 mm Hex-Head bolts 38 pcs Boulons à tête hexagonale 38 pcs</p>	<p>I</p>  <p>Ø1/4" x 120 mm Hex-Head bolts 6 pcs Boulons à tête hexagonale 6 pcs</p>
<p>J</p>  <p>M4 x 15 mm Wood Screws 50 pcs Vis à bois 50 pcs</p>	<p>K</p>  <p>Angle Metal-6 pcs Angle en métal-6 pcs</p>	<p>L</p>  <p>Angle Metal-2 pcs Angle en métal-2 pcs</p>
<p>M</p>  <p>Angle Metal - 4pcs Angle en métal - 4 pièces</p>	<p>N</p>  <p>Metal straight link-2pcs Maillon droit en métal - 2 pièces</p>	<p>O</p>  <p>Piston -2pcs Piston - 2 pièces</p>
<p>P</p>  <p>Metal corner link-1pc Lien d'angle en métal - 1 pièce</p>	<p>Q</p>  <p>Metal corner link-1pc Lien d'angle en métal - 1 pièce</p>	<p>R</p>  <p>Nut-4pcs Écrou - 4 pièces</p>
<p>S</p>  <p>M4 x 15 mm Wood Screws 44 pcs Vis à bois 44 pcs</p>	<p>AO</p>  <p>Allen Key 4pcs Clé Allen 4 pièces</p>	<p>AP</p>  <p>Plastic wall plug - 8pcs Cheville en plastique - 8pcs</p>

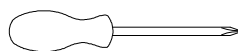


Assembly Tools Required (Not Included)
Outils d'assemblage requis (non inclus)

8/70

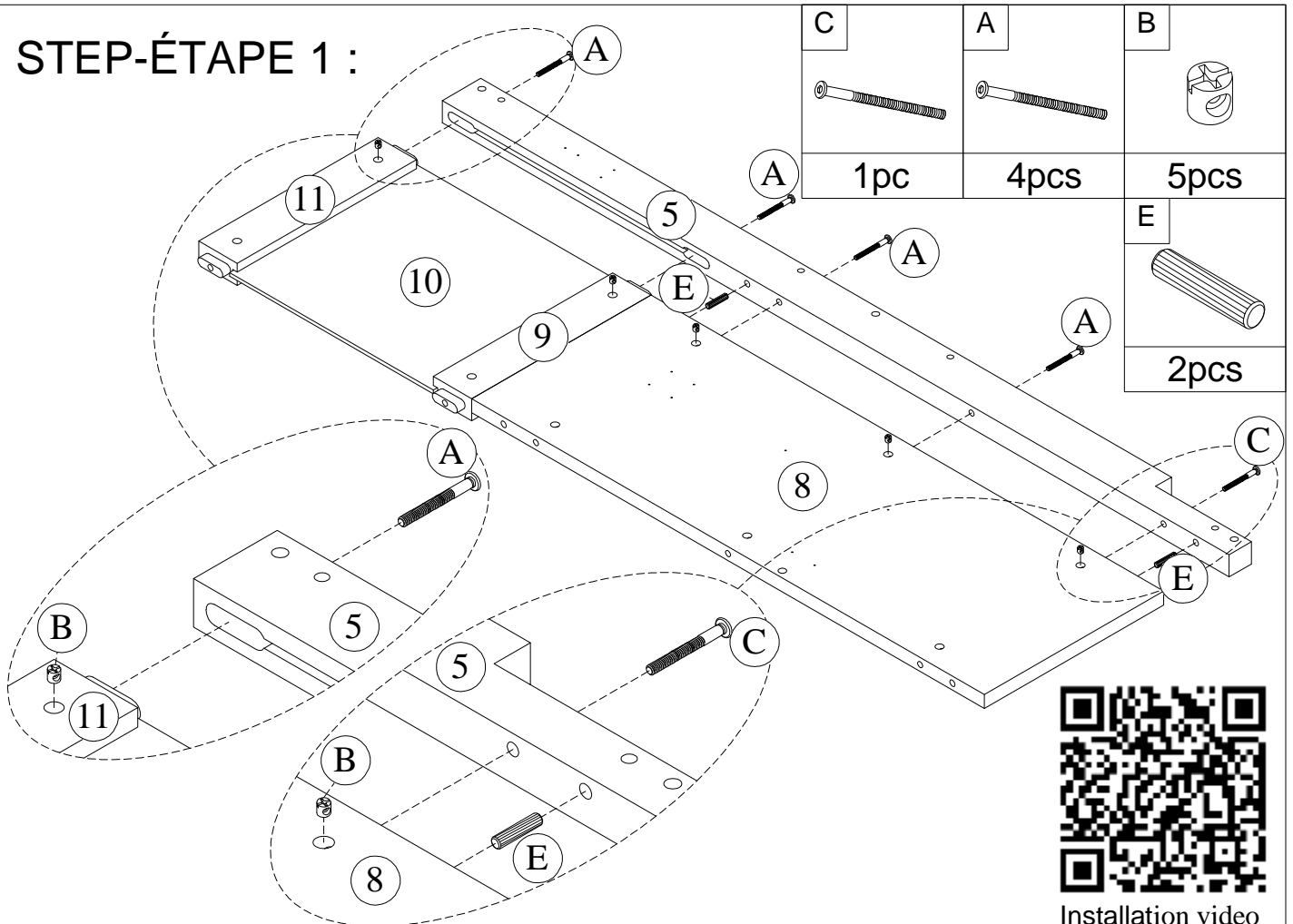
Hardware List (Box 1 - N708P416498)

<p>T</p>  <p>25x25x7x1.2 mm L Angle pat- 2pcs Angle en L - 2 pièces</p>	<p>U</p>  <p>Handle - 1pc Poignée</p>	<p>V</p>  <p>Ø1/3" x 40 mm Hex-Head bolts 2pcs Boulons à tête hexagonale 2 pièces</p>
<p>W</p>  <p>Ø1/4" x 35 mm Hex-Head bolts 2pcs Boulons à tête hexagonale 2 pièces</p>	<p>X</p>  <p>50 x 35x1.5 mm Straight Steel Panel-3 pcs Panneau en acier droit-3 pcs</p>	<p>Y</p>  <p>Ø20 / Ø6 x 2 mm Washer 2 pcs Rondelle 2 pièces</p>
<p>Z</p>  <p>1/4" x35 Screws 3 pcs Vis 3 pcs</p>	<p>AA</p>  <p>Ø1/4" x 90 mm Hex-Head bolts 12 pcs Boulons à tête hexagonale 12 pcs</p>	<p>AB</p>  <p>M3 x 8 mm Wood Screws 8 pcs Vis à bois 8 pcs</p>
<p>AC</p>  <p>Magnet Door Catcher 4pcs Attrape-porte magnétique-4pcs</p>	<p>AD</p>  <p>Wood Handle - 4 pcs Manche en bois - 4 pcs</p>	<p>AE</p>  <p>Hings 8 set Charnières 8 set</p>
<p>AF</p>  <p>M4 x 25 mm Wood Screws 8 pcs Vis à bois 8 pcs</p>	<p>AG</p>  <p>Ø1/4" x 50 mm Hex-Head bolts 4 pcs Boulons à tête hexagonale 4 pcs</p>	<p>AH</p>  <p>M3 x 12 mm Wood Screws 40 pcs Vis à bois 40 pcs</p>
<p>AI</p>  <p>Ø20 / Ø6 x 2 mm Washer 16 pcs Rondelle 16 pièces</p>	<p>AJ</p>  <p>Metal link-2pcs Lien métallique - 2 pièces</p>	<p>AK</p>  <p>Angle Metal - 3pcs Angle en métal - 3 pièces</p>
<p>AL</p>  <p>M5 x 50 mm Wood Screws 8 pcs Vis à bois 8 pièces</p>	<p>AM</p>  <p>Power socket 1 pc Prise électrique 1 pc</p>	<p>AN</p>  <p>Power supply & touch sensor switch - 1pc Alimentation électrique et interrupteur à capteur tactile - 1pc</p>



Assembly Tools Required (Not Included)
Outils d'assemblage requis (non inclus)

STEP-ÉTAPE 1 :

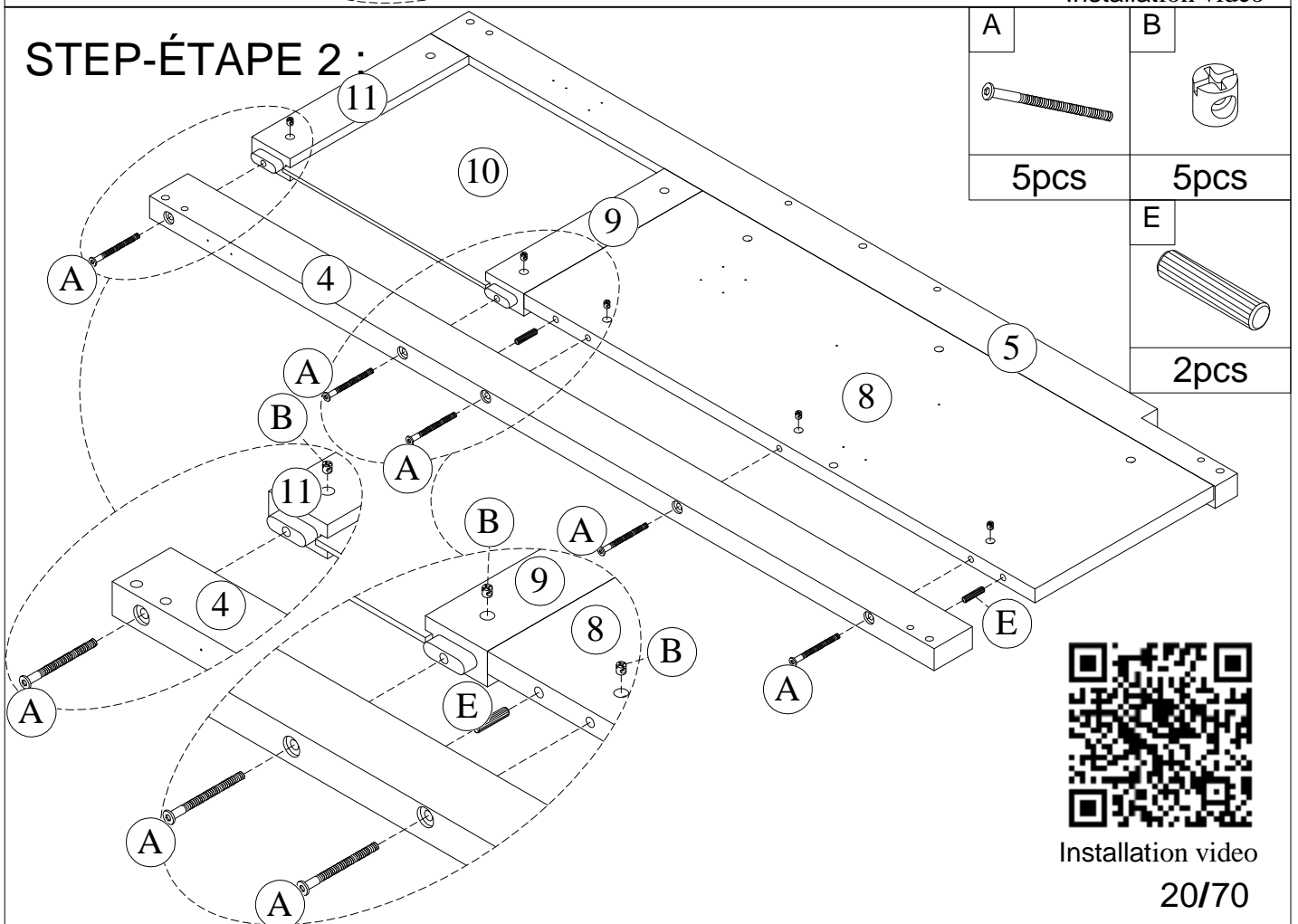


C	A	B
1pc	4pcs	5pcs
E		
2pcs		



Installation video

STEP-ÉTAPE 2 :

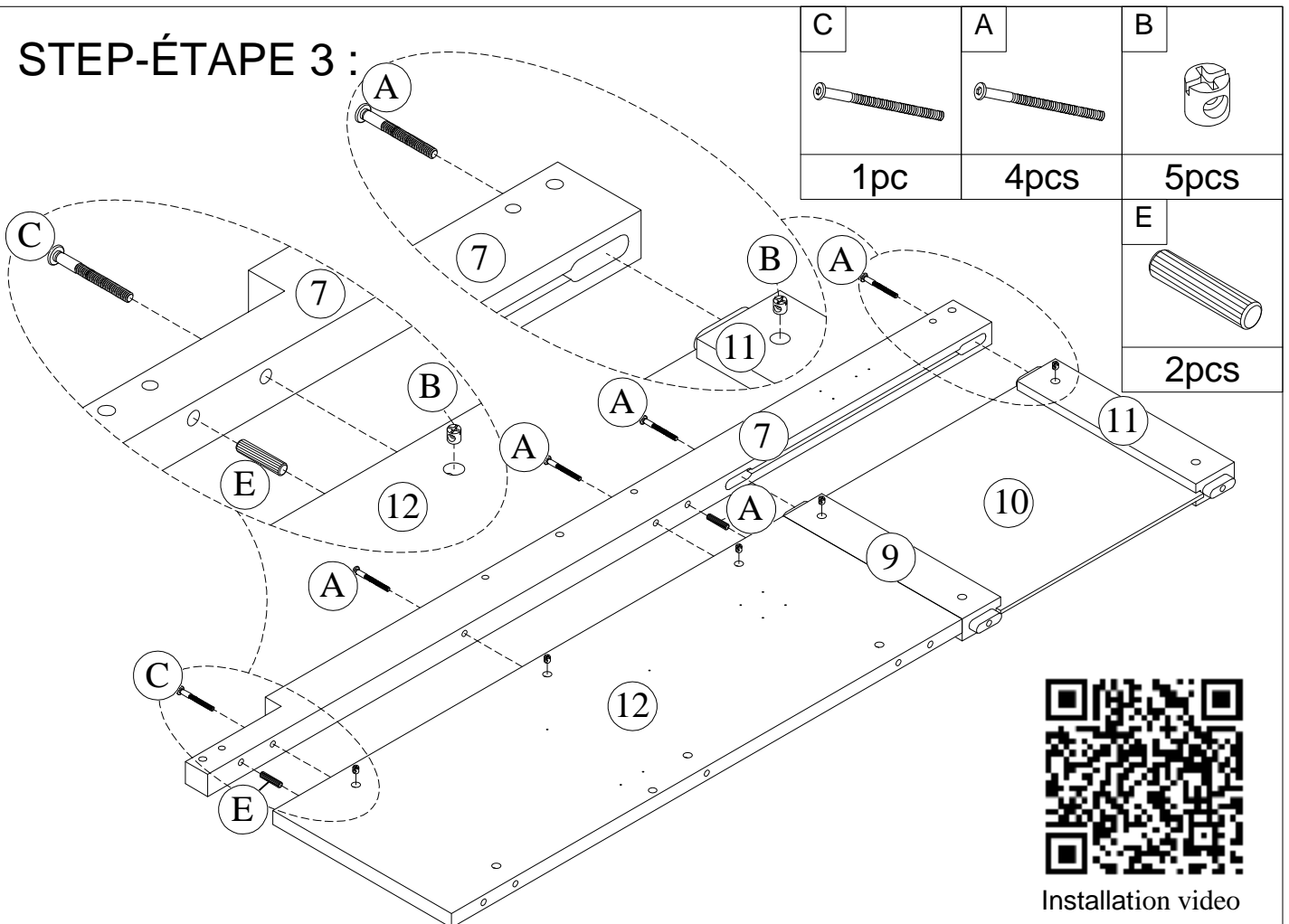


A	B
5pcs	5pcs
E	
2pcs	



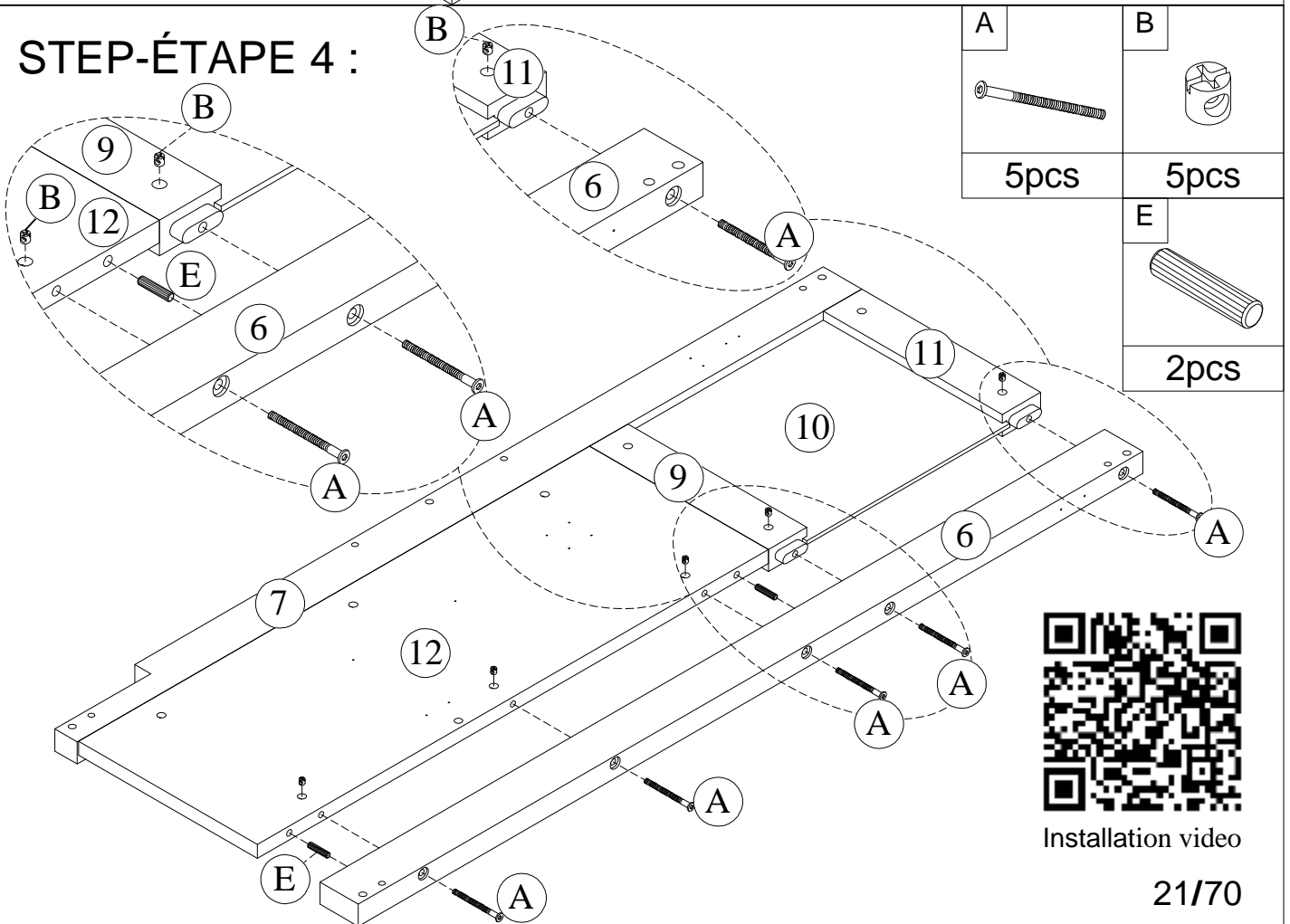
Installation video

STEP-ÉTAPE 3 :



Installation video

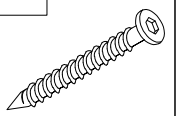
STEP-ÉTAPE 4 :



Installation video

STEP-ÉTAPE 5 :

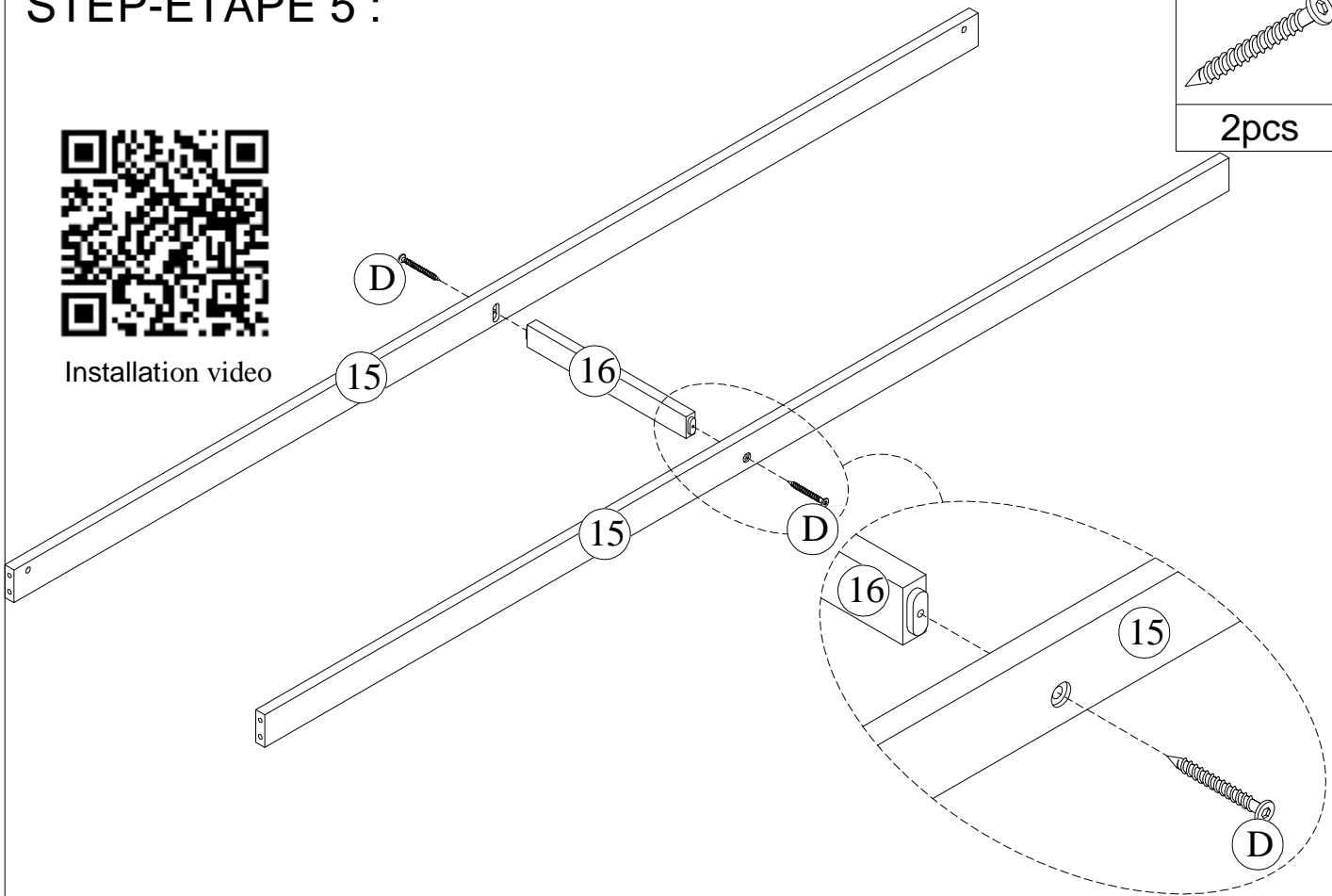
D



2pcs

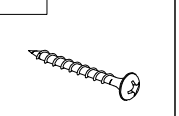


Installation video



STEP-ÉTAPE 6 :

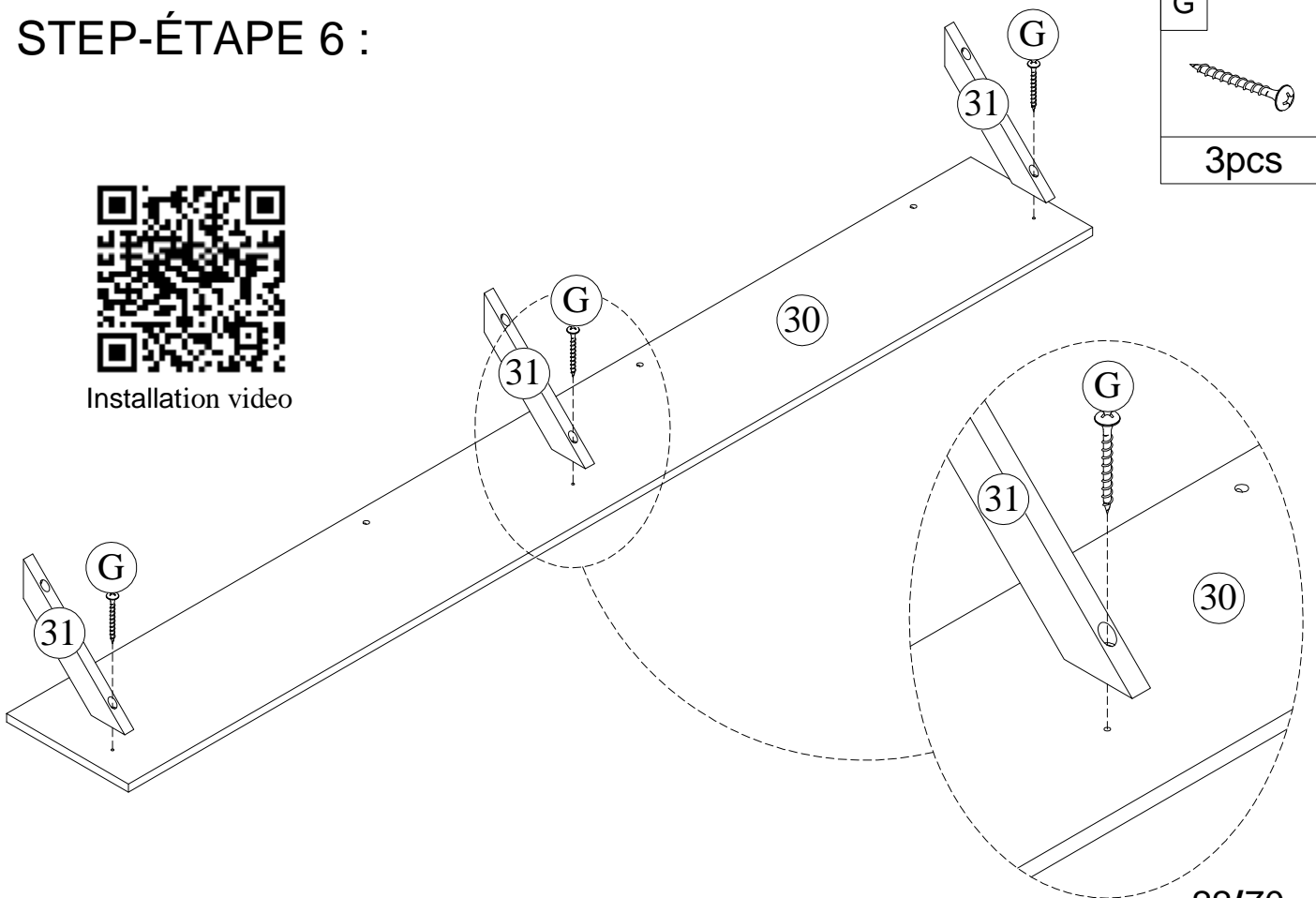
G





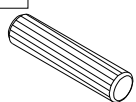
3pcs



Installation video

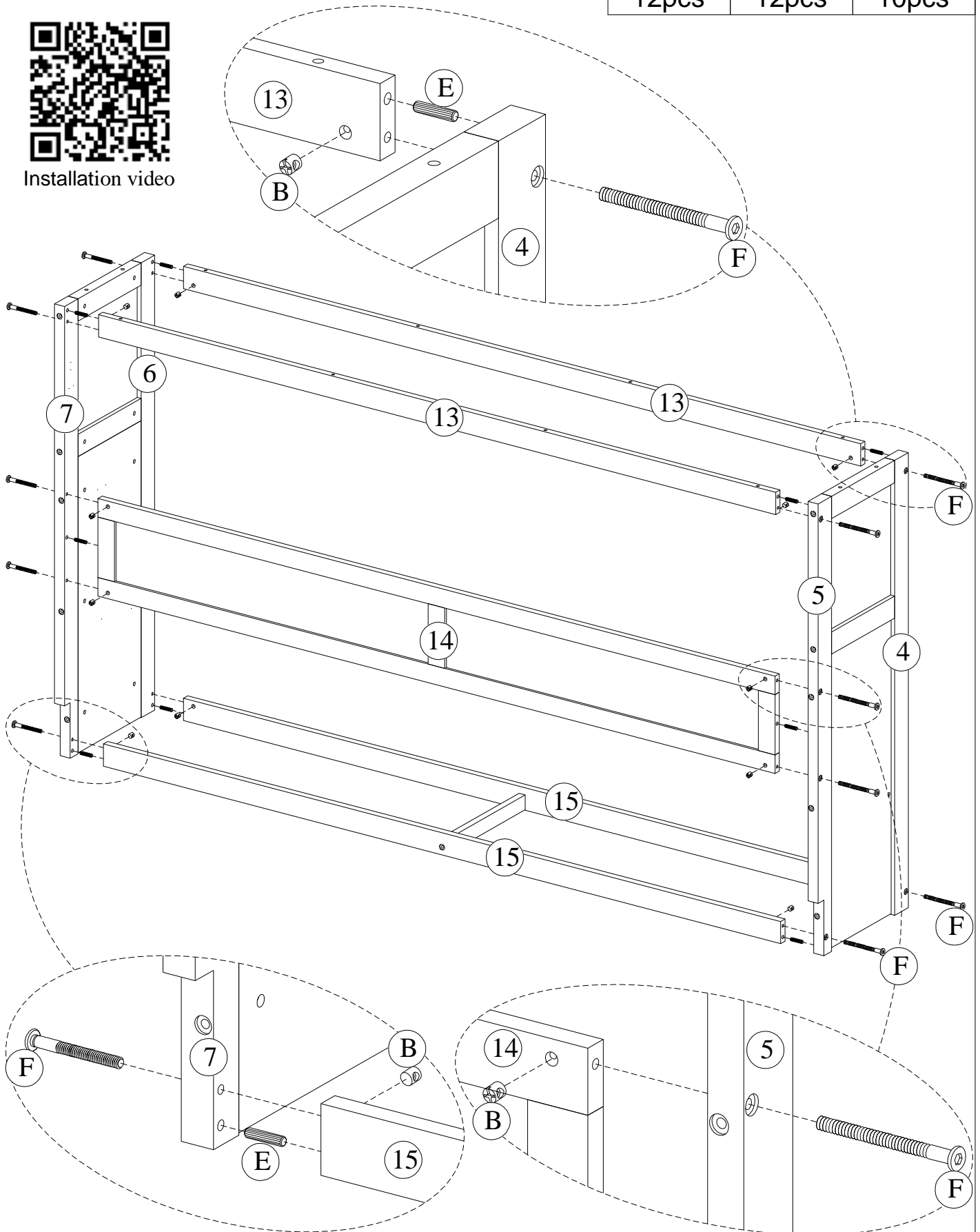


STEP-ÉTAPE 7 :

B	F	E
		
12pcs	12pcs	10pcs





Installation video

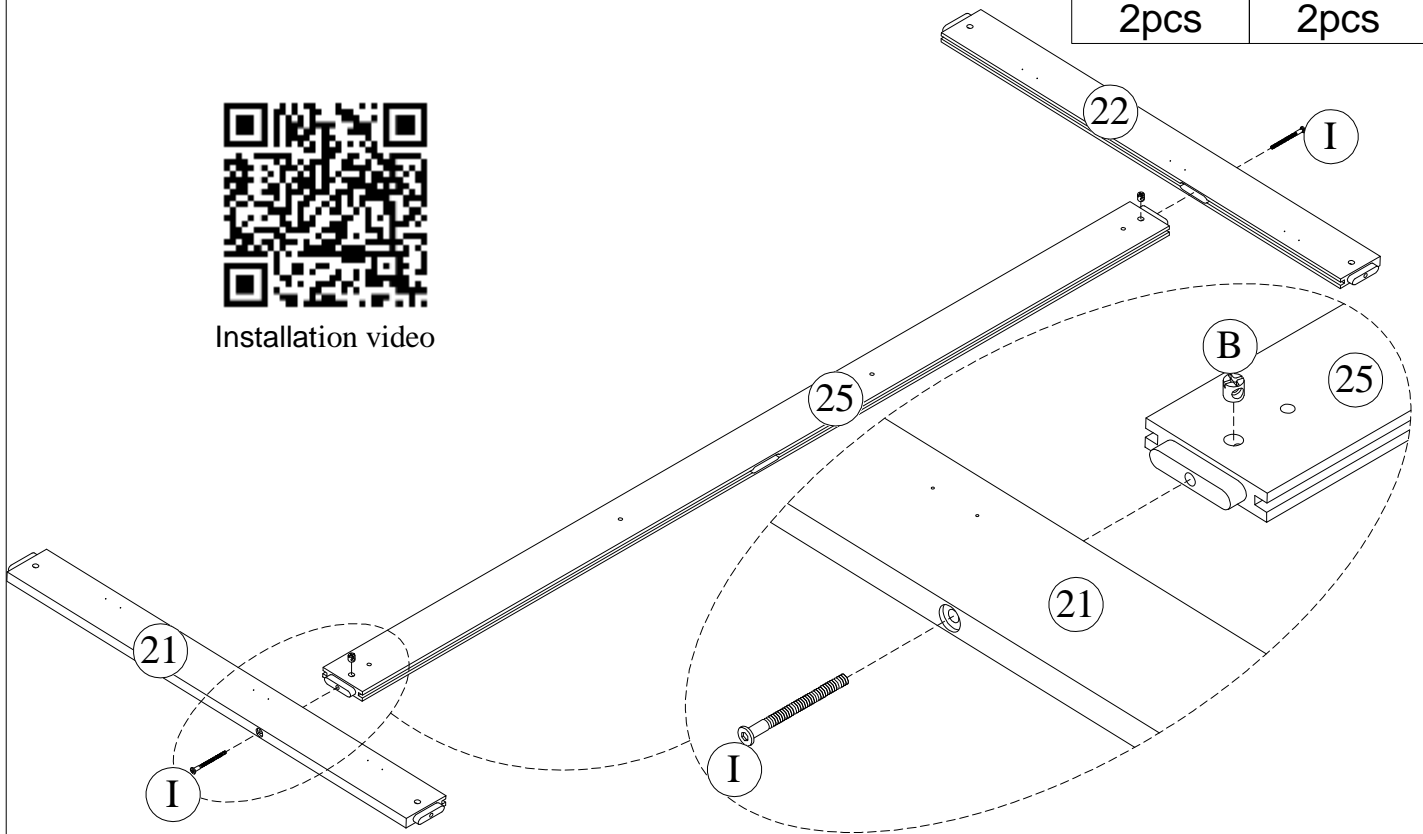


STEP-ÉTAPE 8 :



Installation video

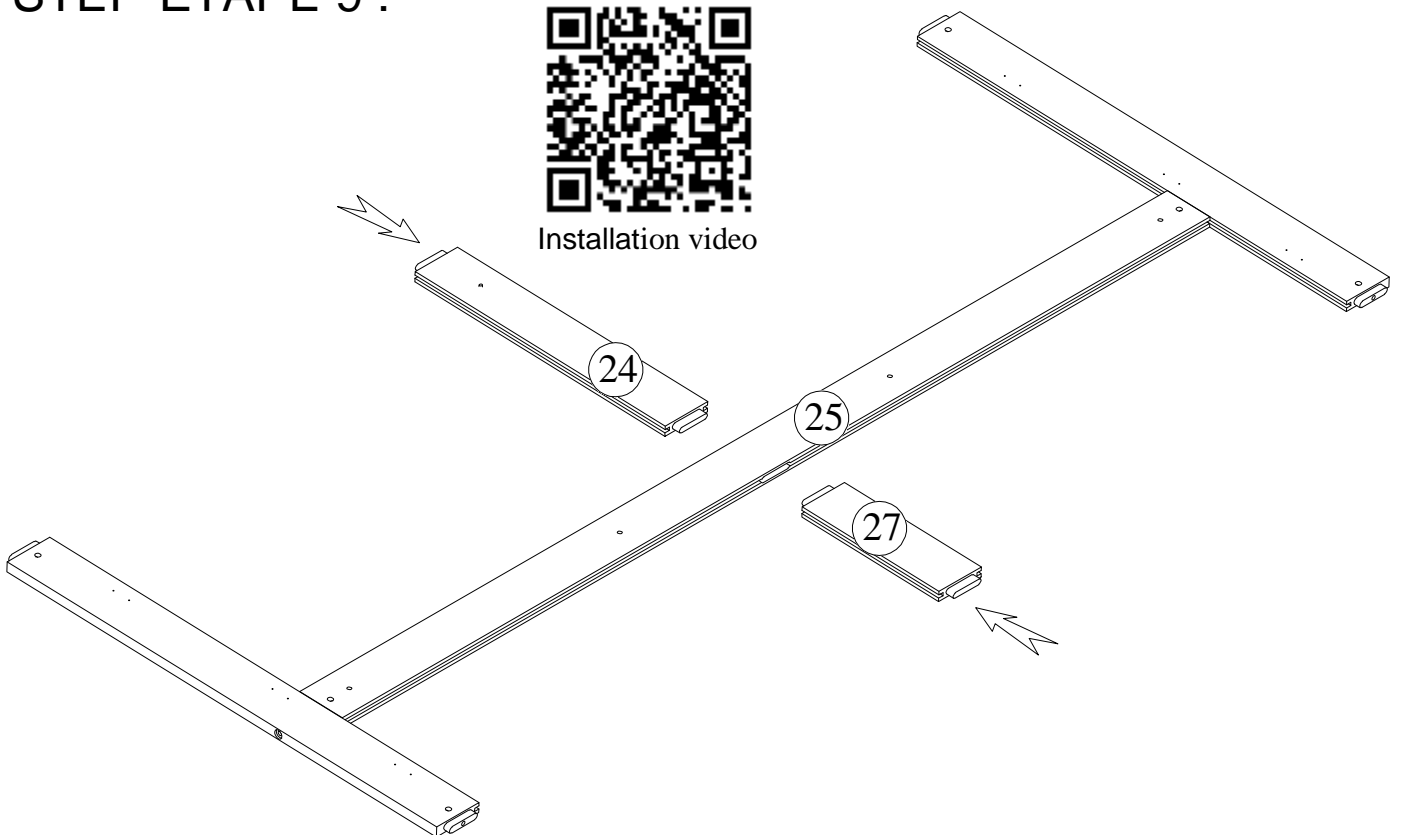
B		I	
	2pcs		2pcs



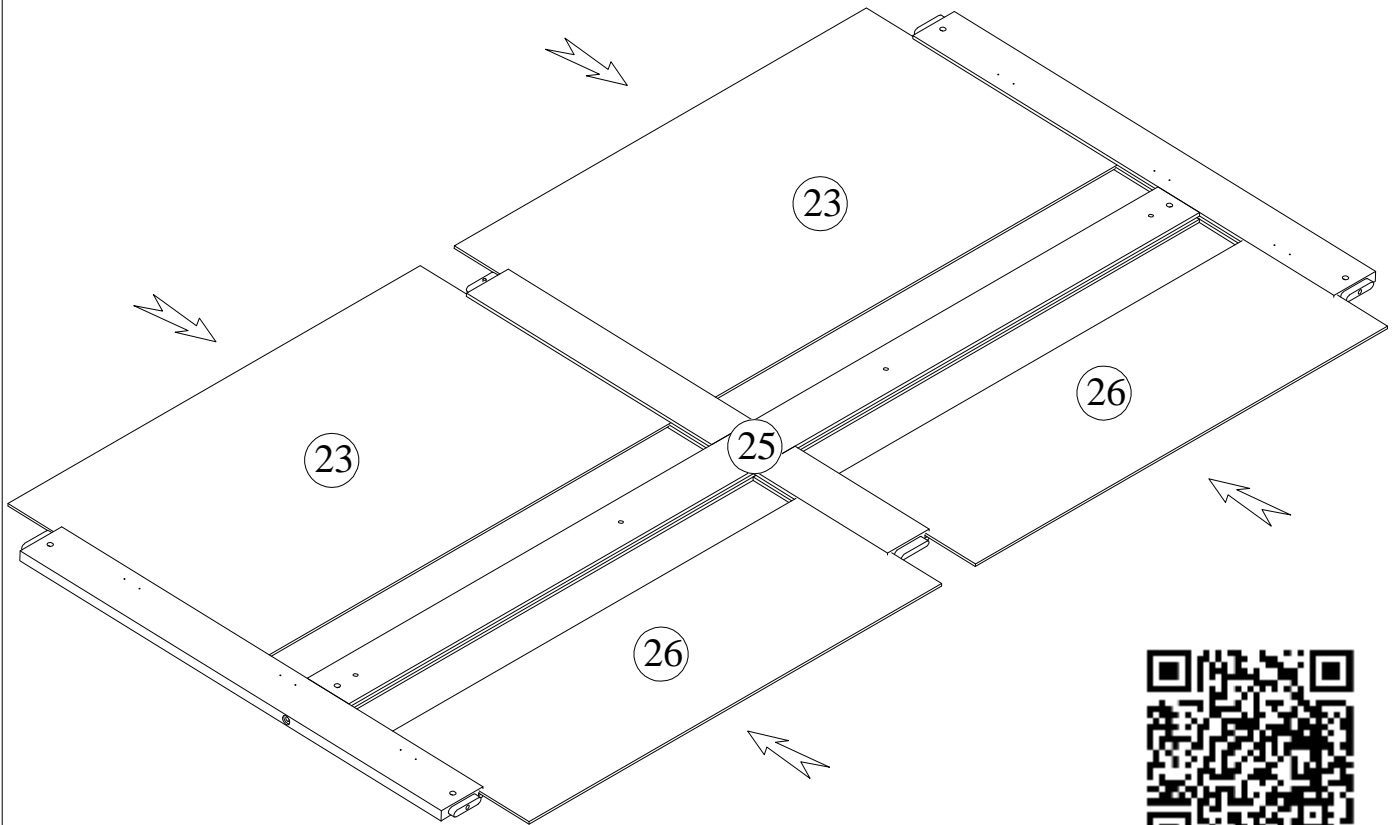
STEP-ÉTAPE 9 :



Installation video

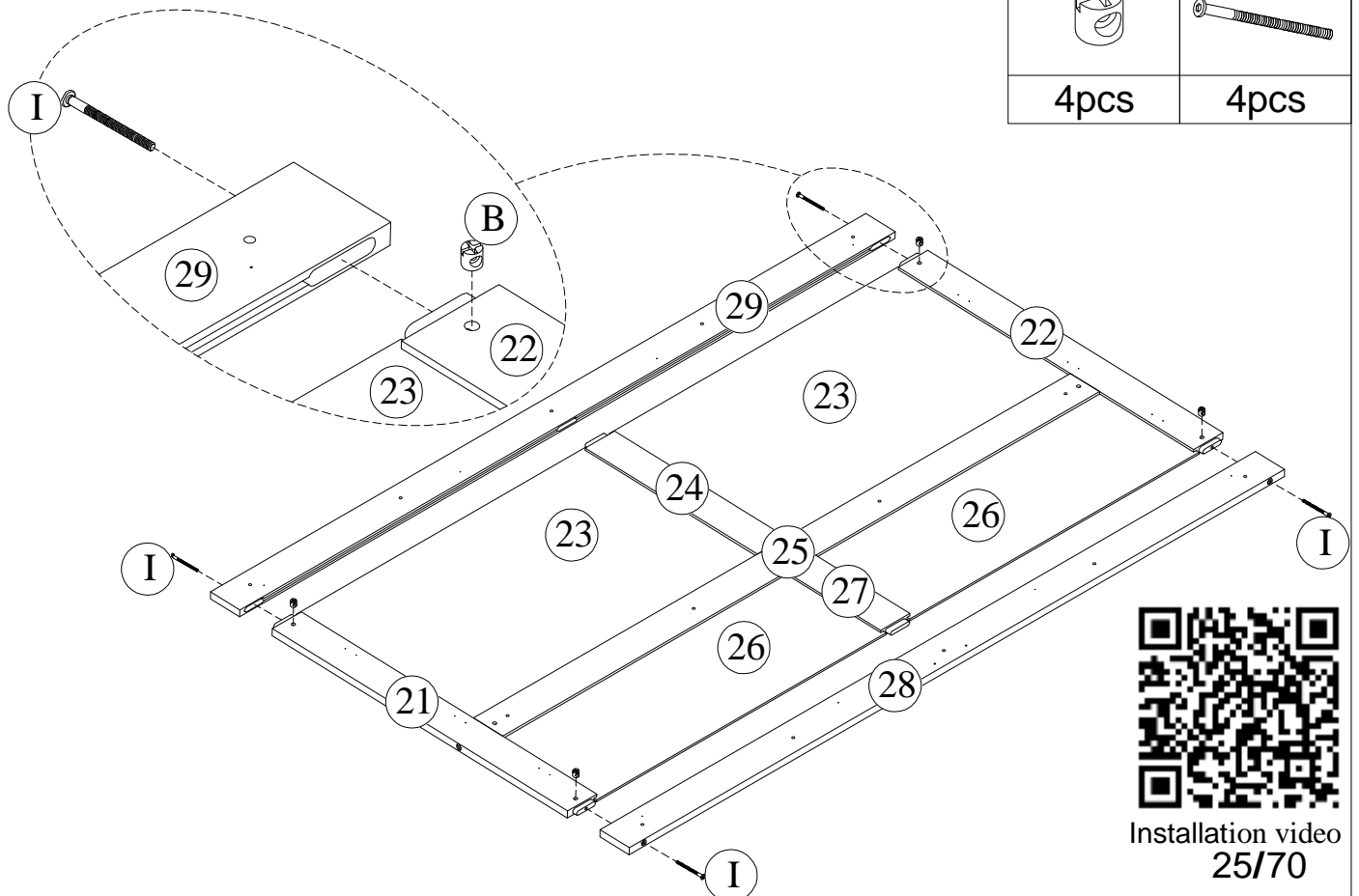


STEP-ÉTAPE 10 :

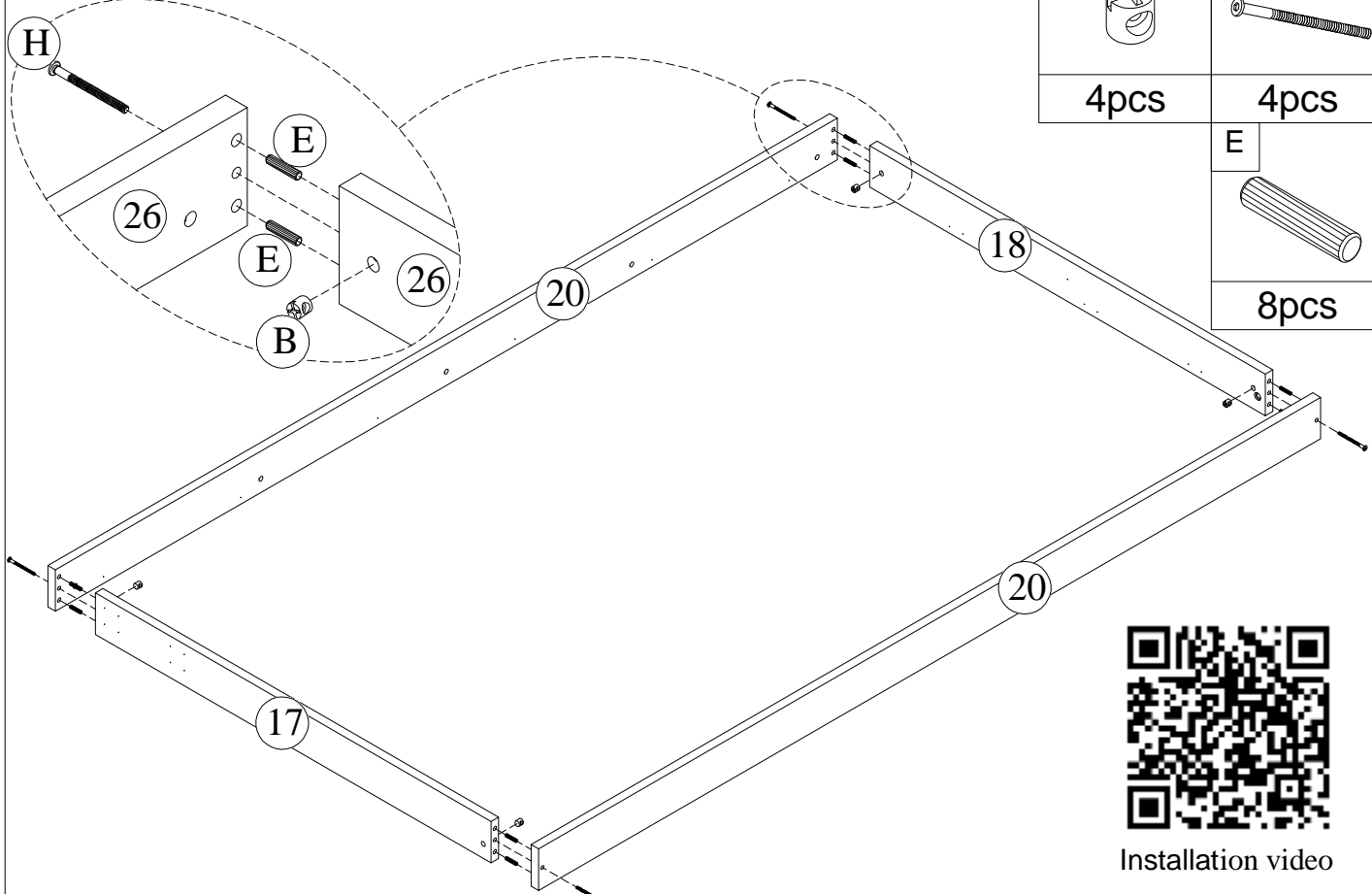


Installation video

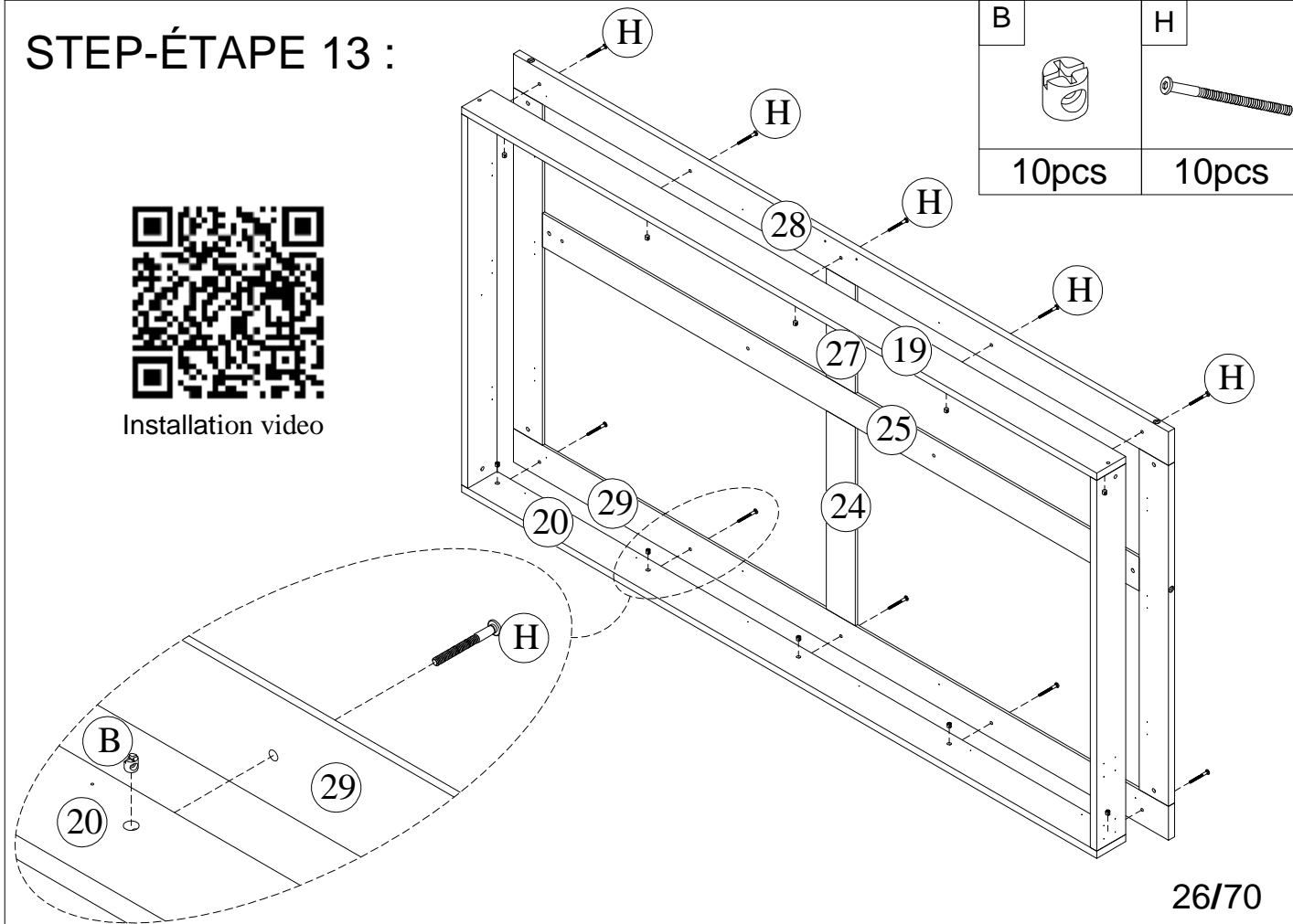
STEP-ÉTAPE 11 :



STEP-ÉTAPE 12 :



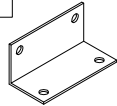
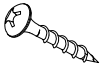
STEP-ÉTAPE 13 :

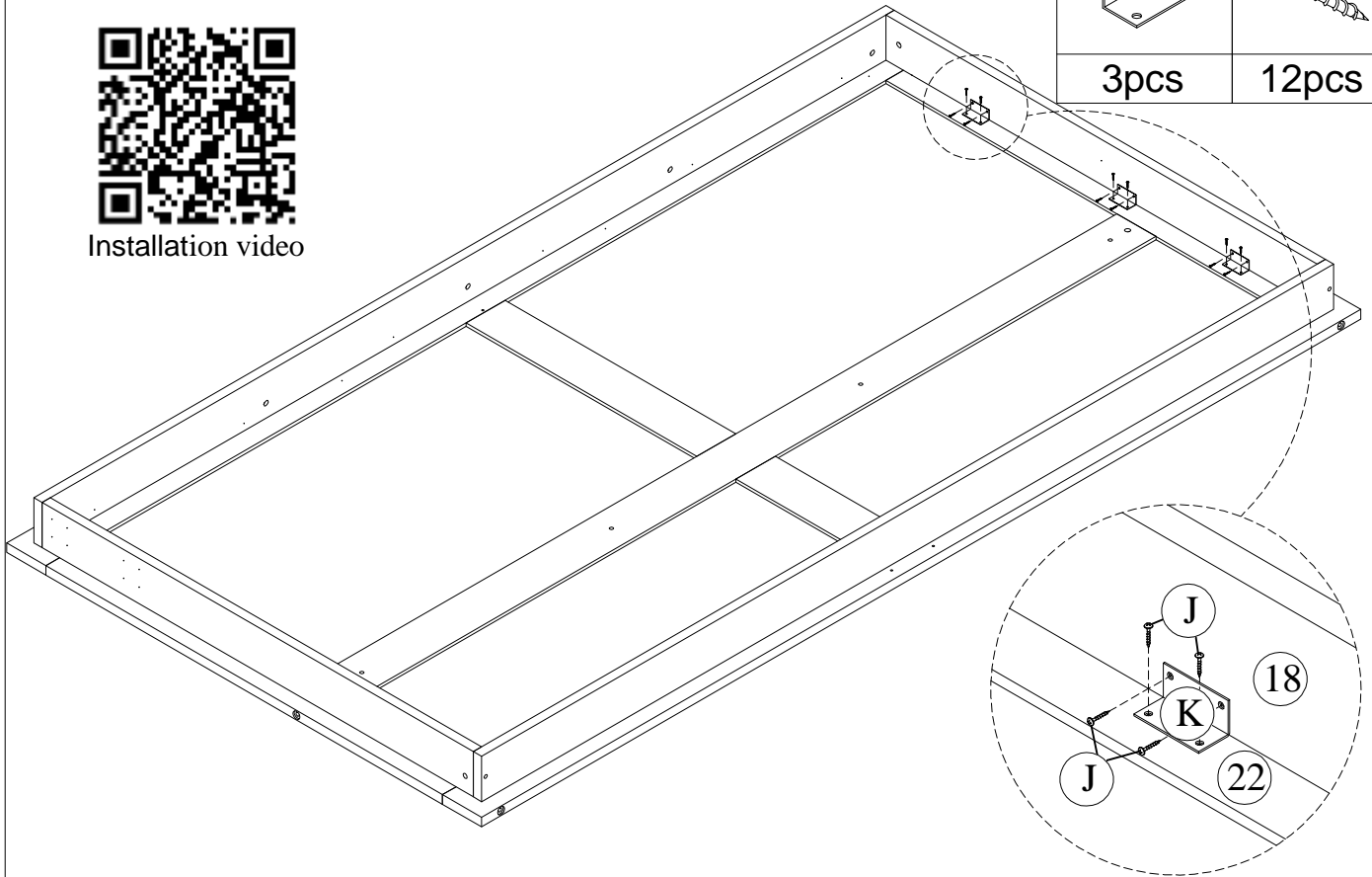


STEP-ÉTAPE 14 :



Installation video

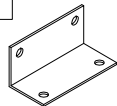
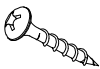
K		J	
	3pcs		12pcs

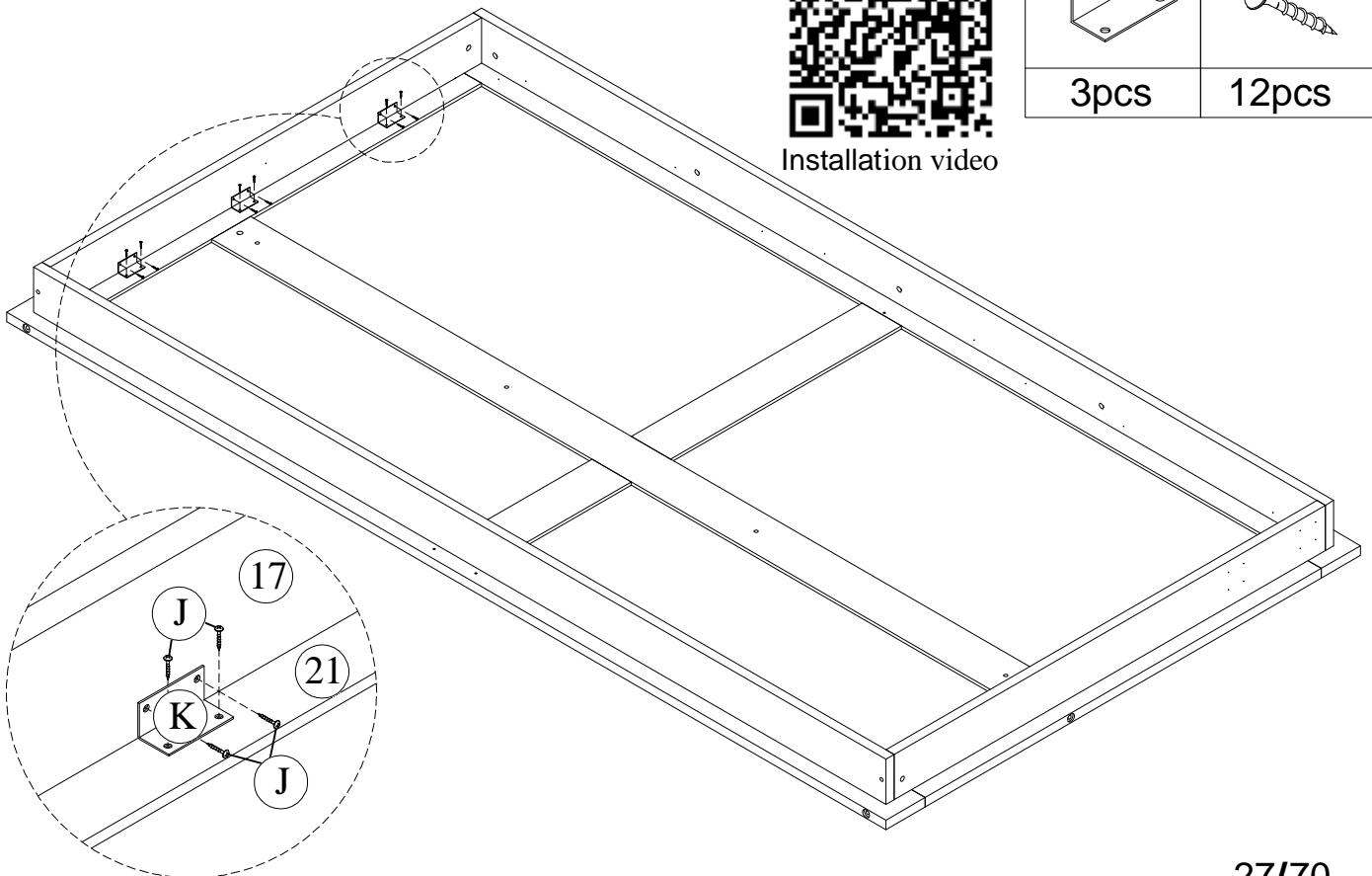


STEP-ÉTAPE 15 :



Installation video

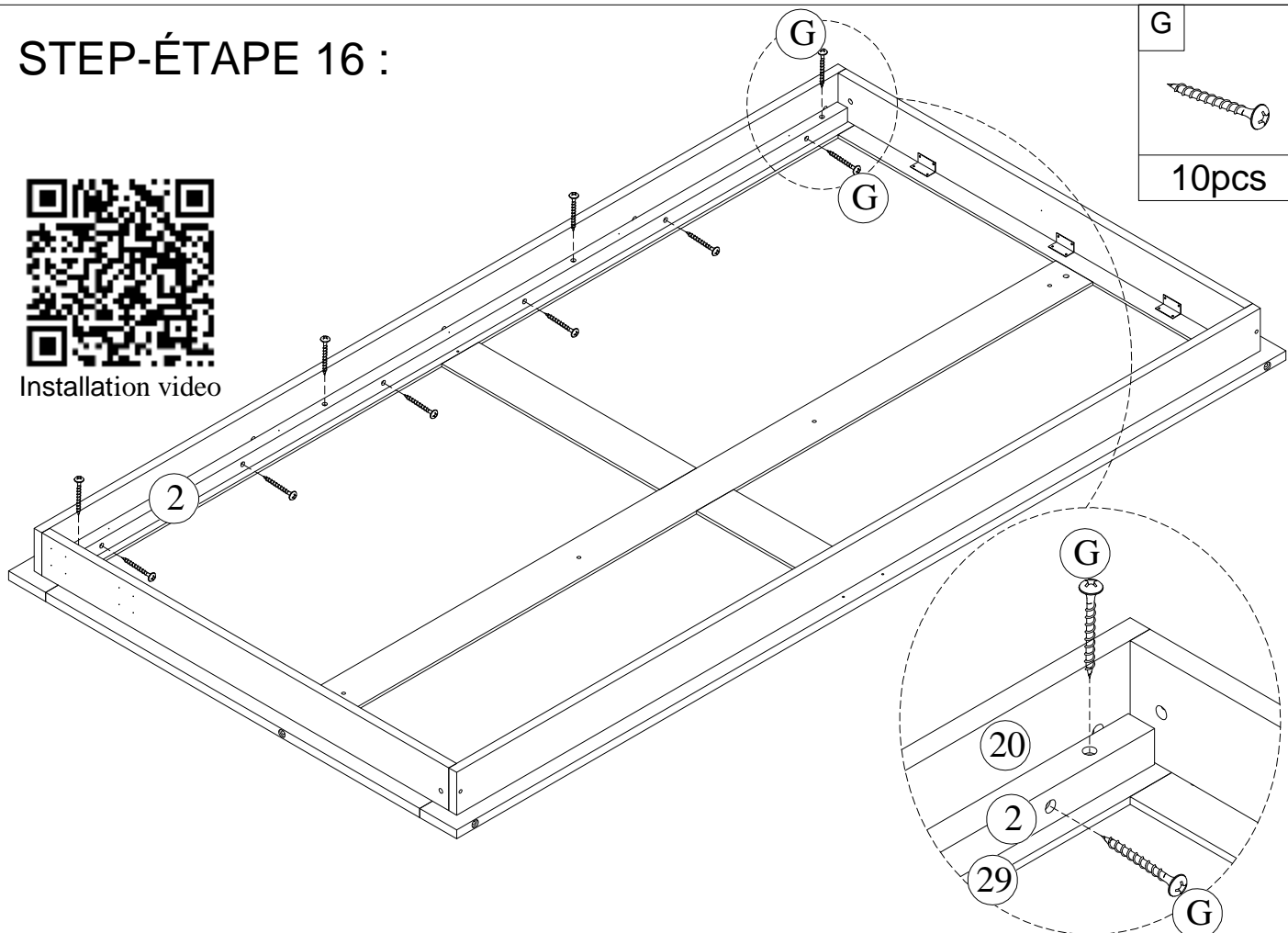
K		J	
	3pcs		12pcs



STEP-ÉTAPE 16 :



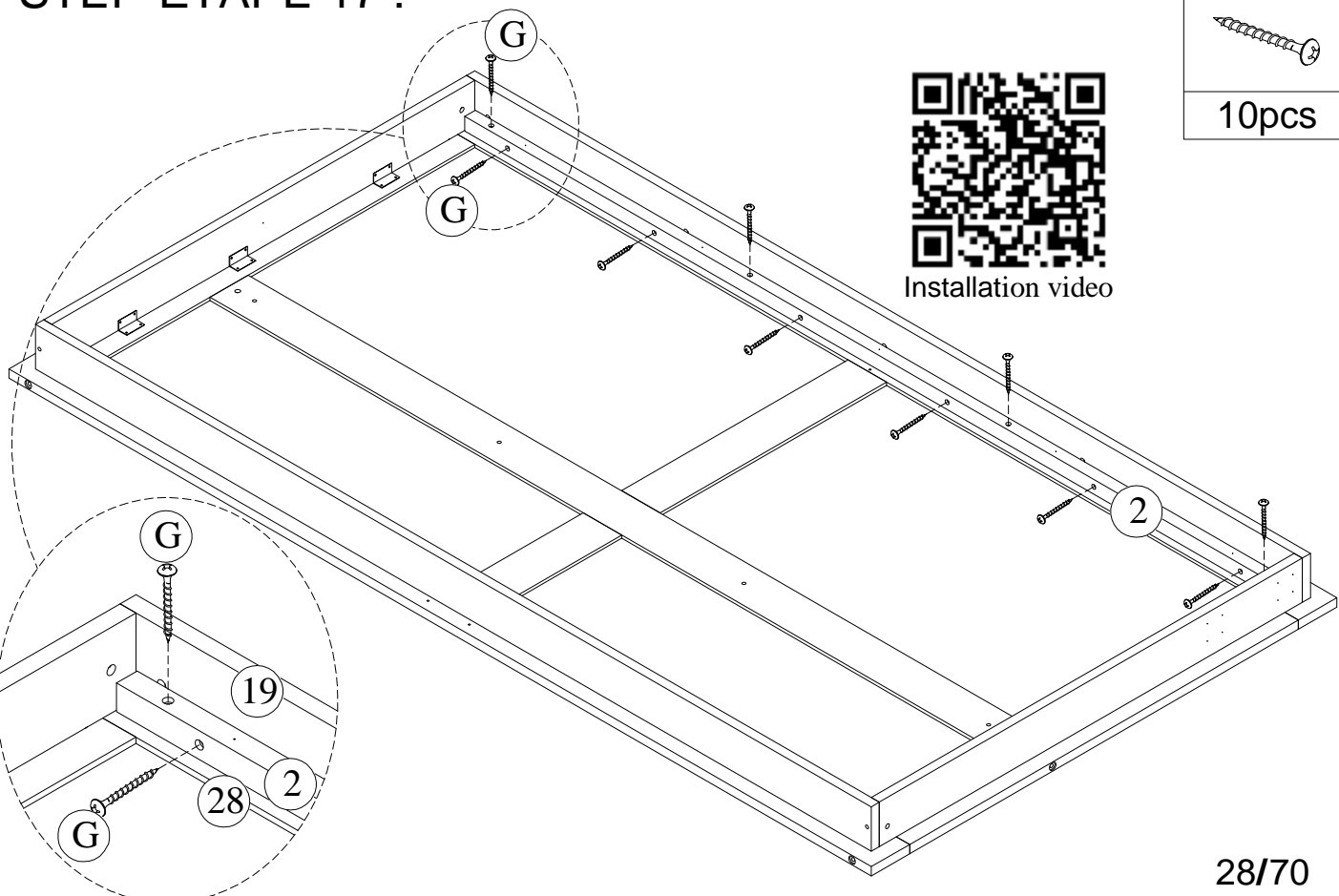
Installation video



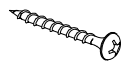
STEP-ÉTAPE 17 :



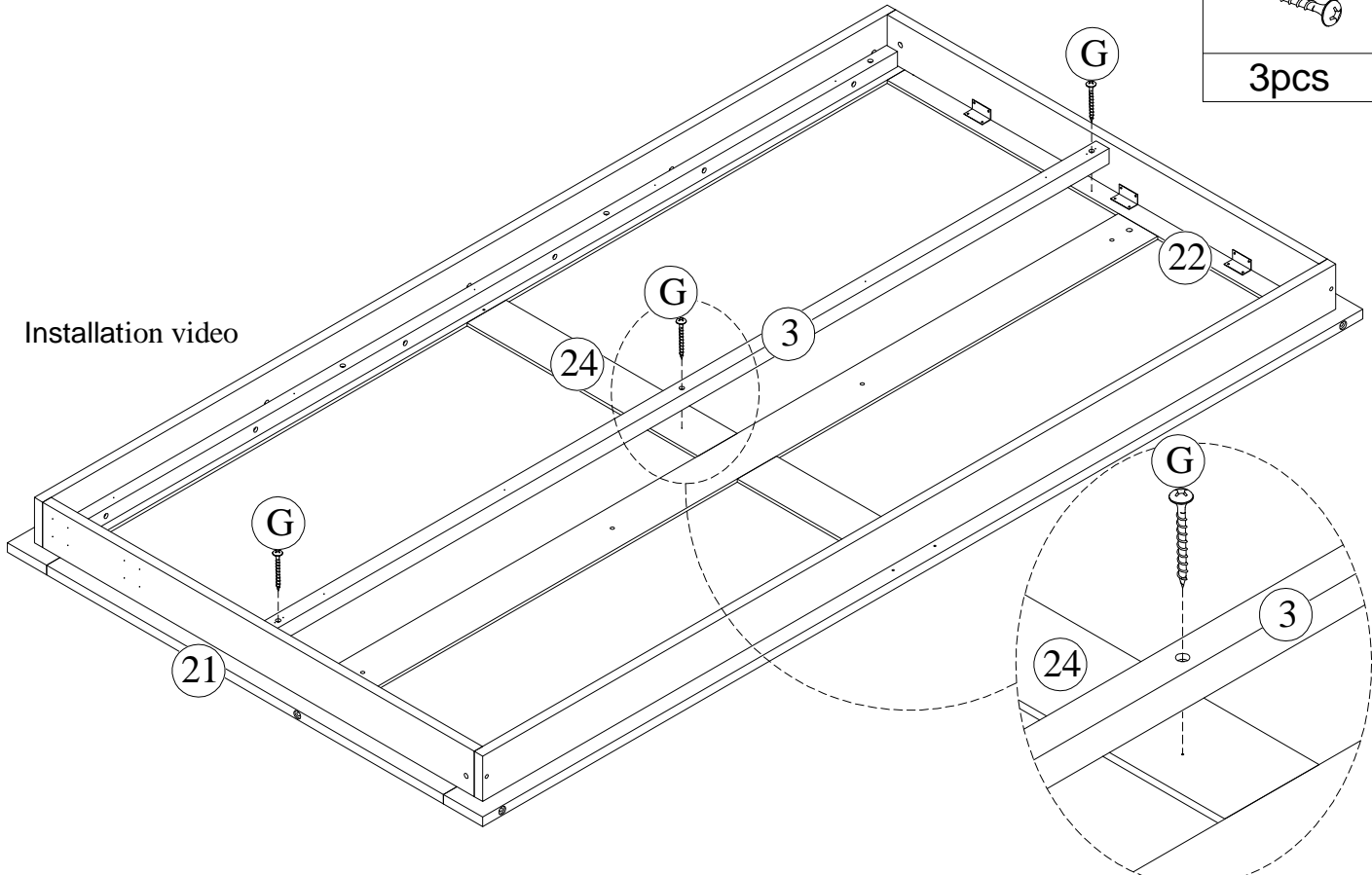
Installation video



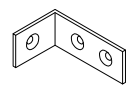
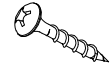
STEP-ÉTAPE 18 :

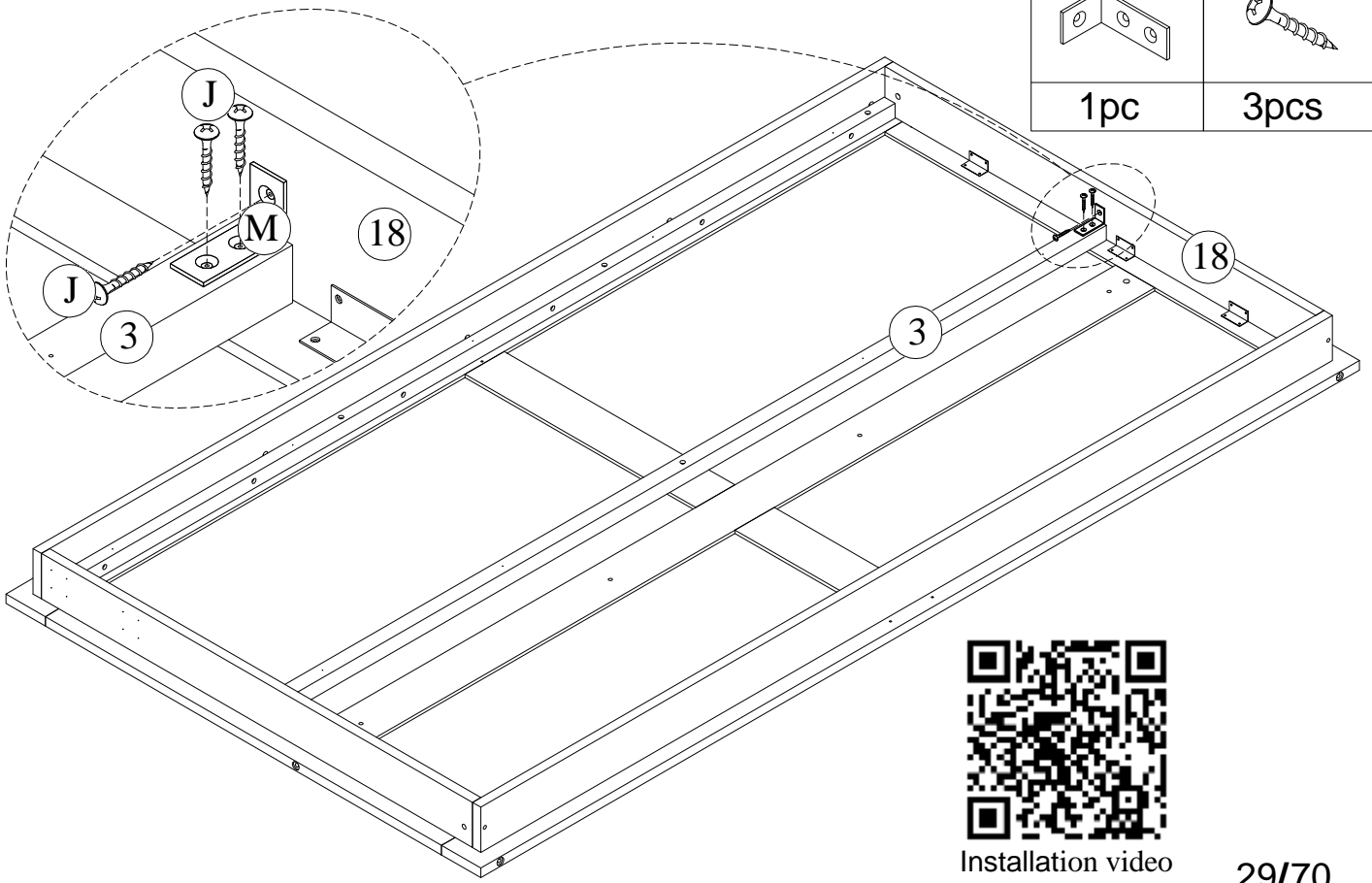
G

3pcs

Installation video



STEP-ÉTAPE 19 :

M	J
	
1pc	3pcs

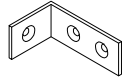
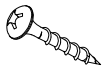


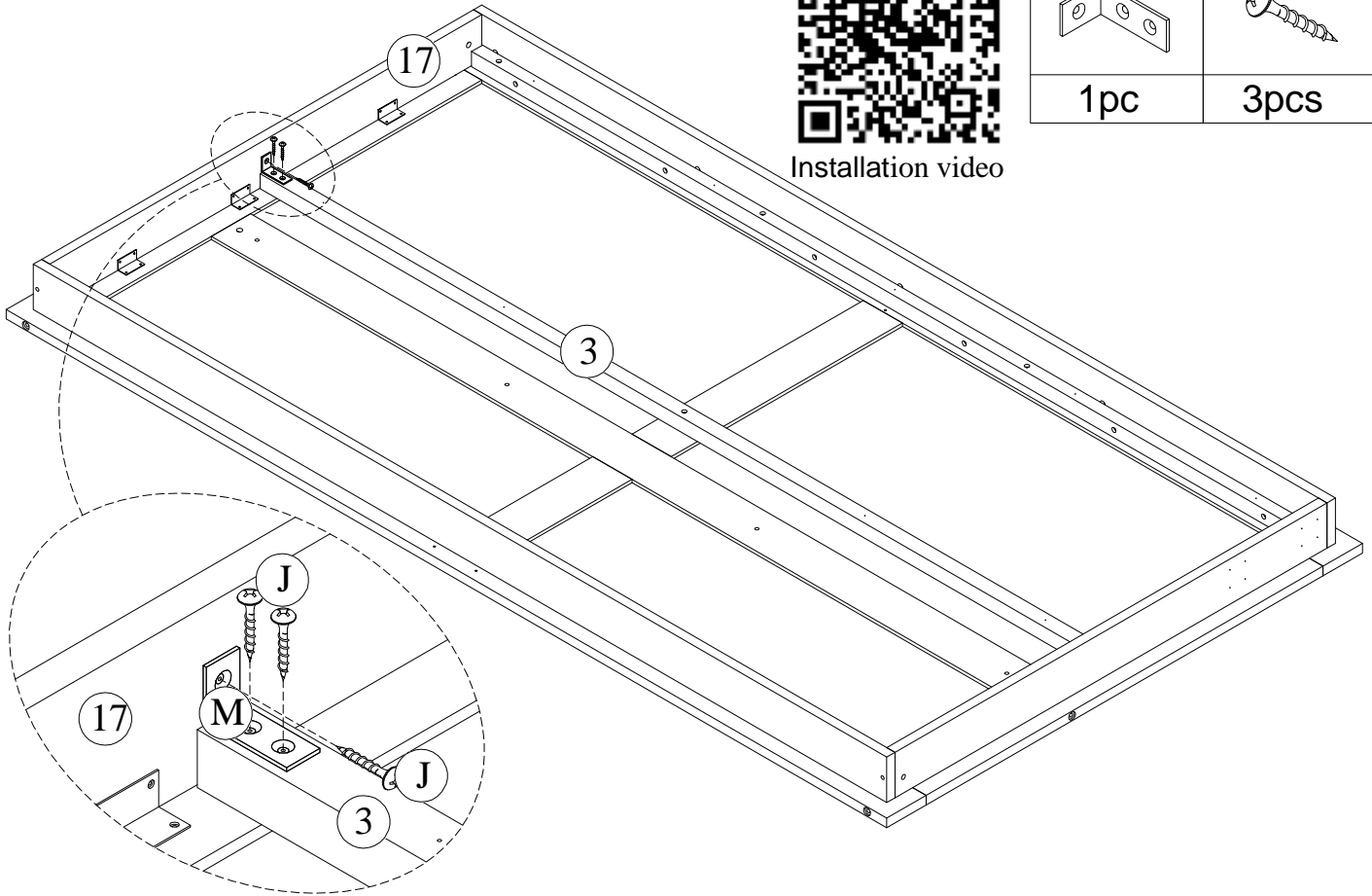
Installation video

STEP-ÉTAPE 20 :




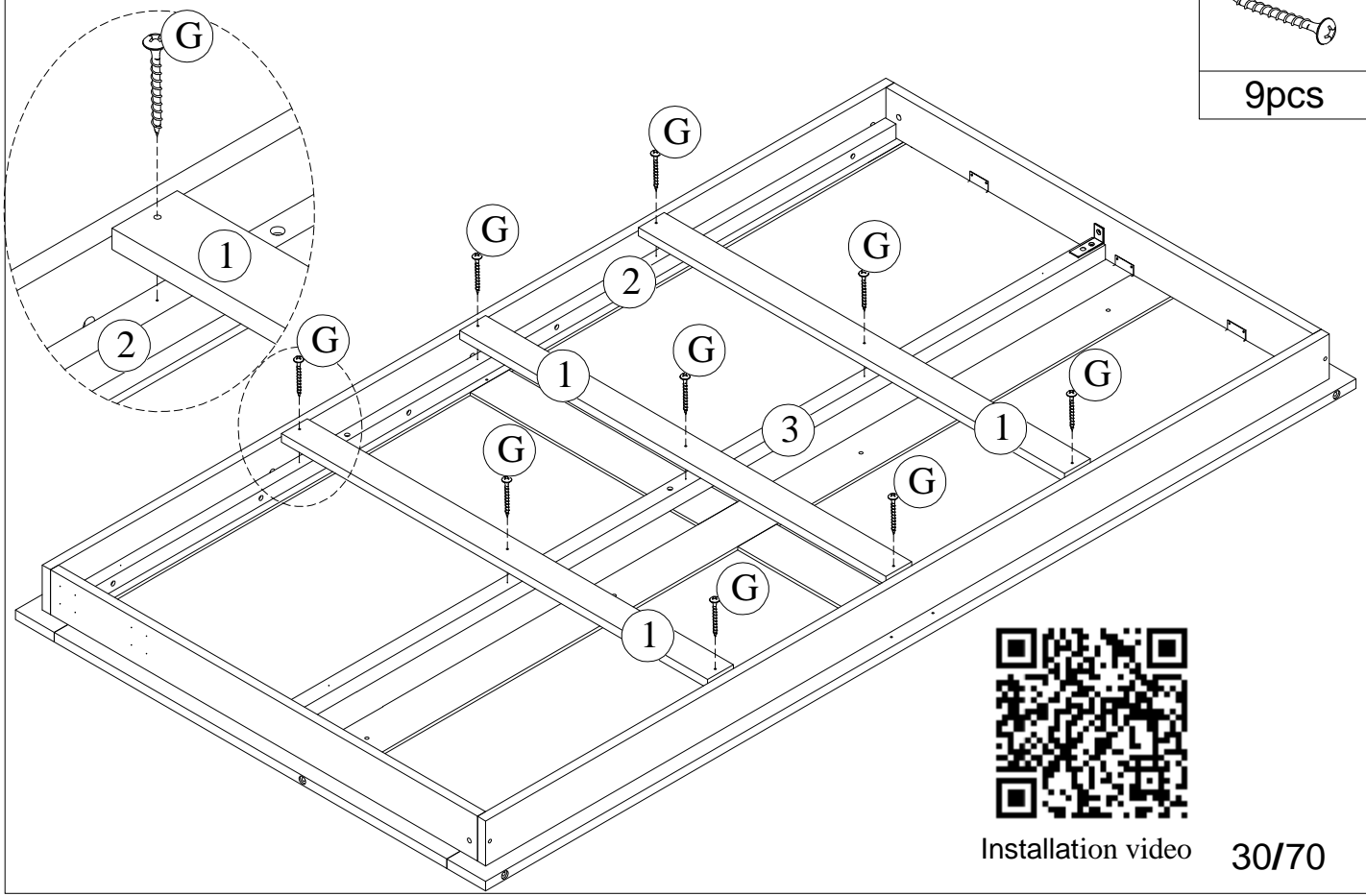
Installation video

M	J
	
1pc	3pcs



STEP-ÉTAPE 21 :

G

9pcs

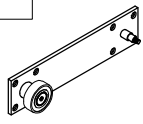
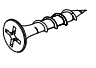


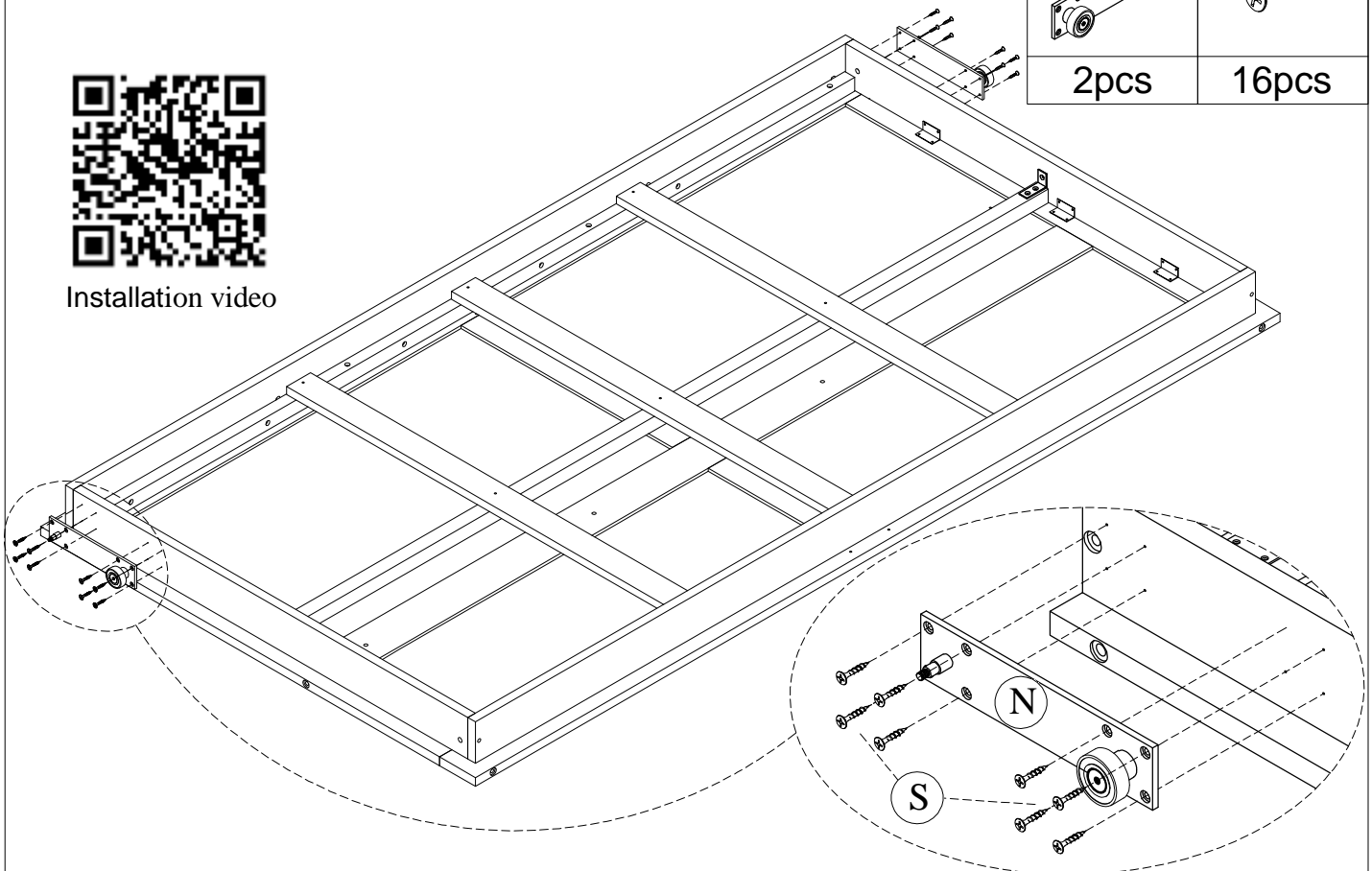
Installation video

STEP-ÉTAPE 22 :

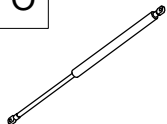



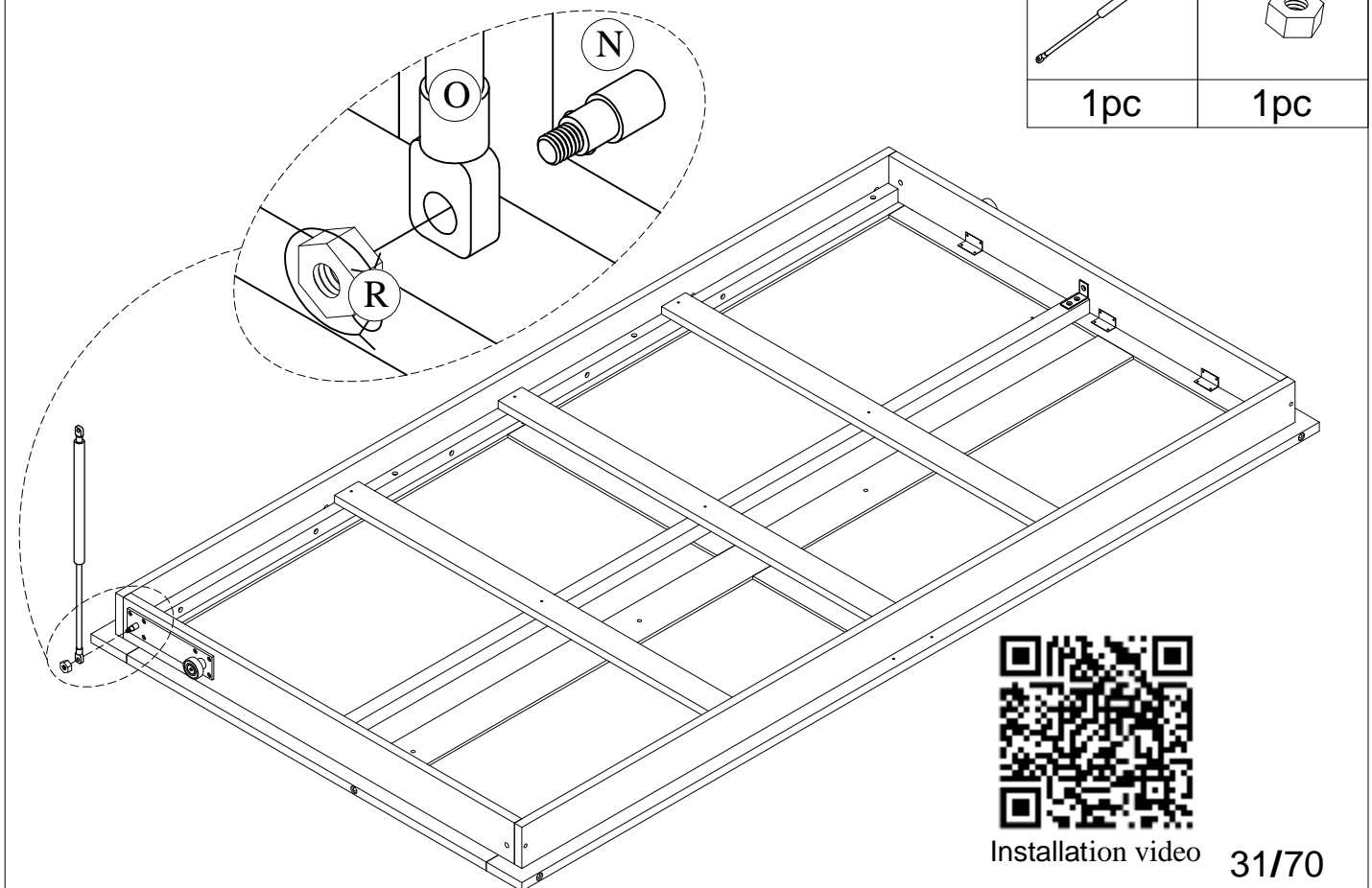
Installation video

N		S	
	2pcs		16pcs



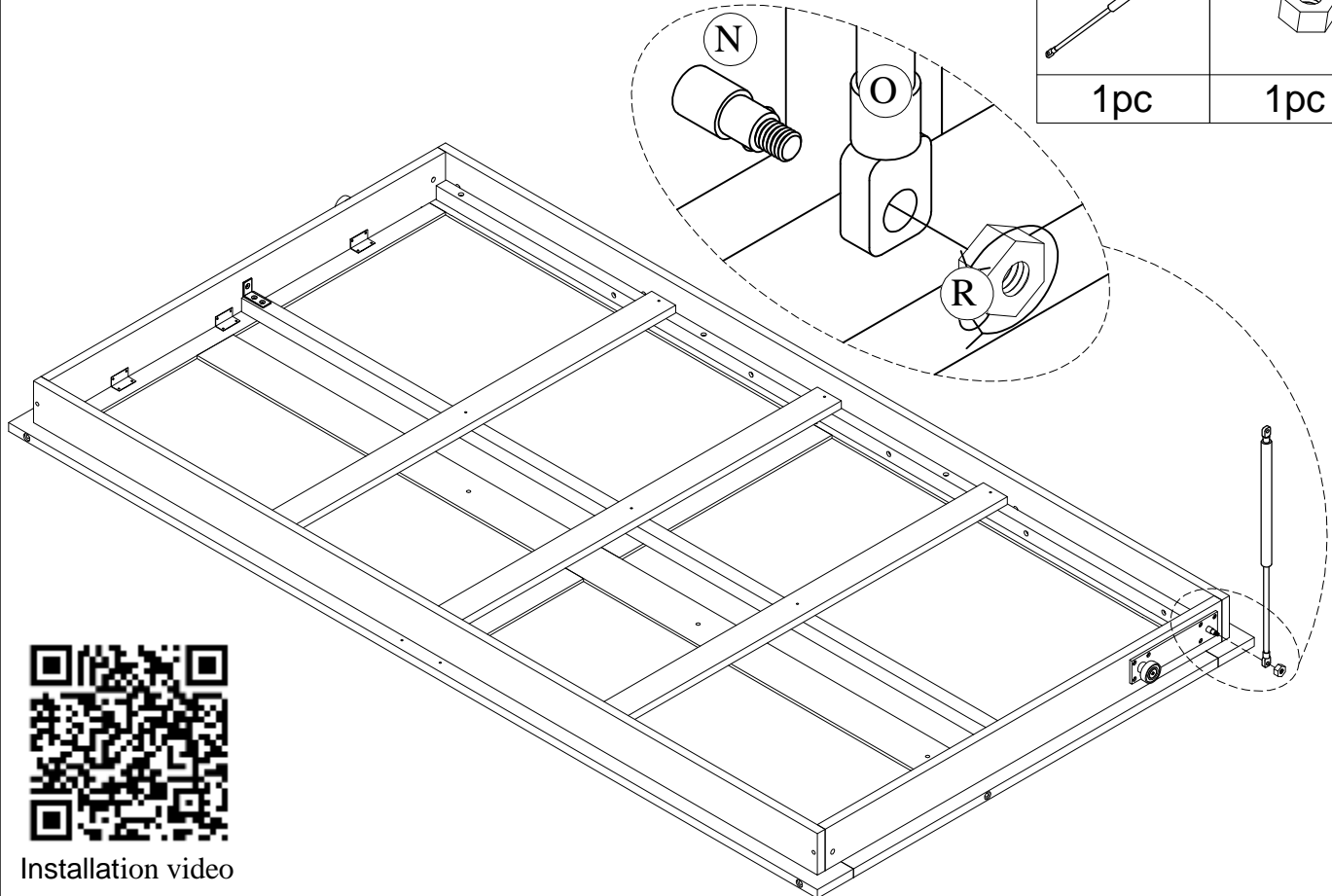
STEP-ÉTAPE 23 :

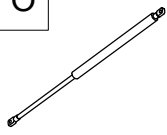

O		R	
	1pc		1pc



Installation video

STEP-ÉTAPE 24 :

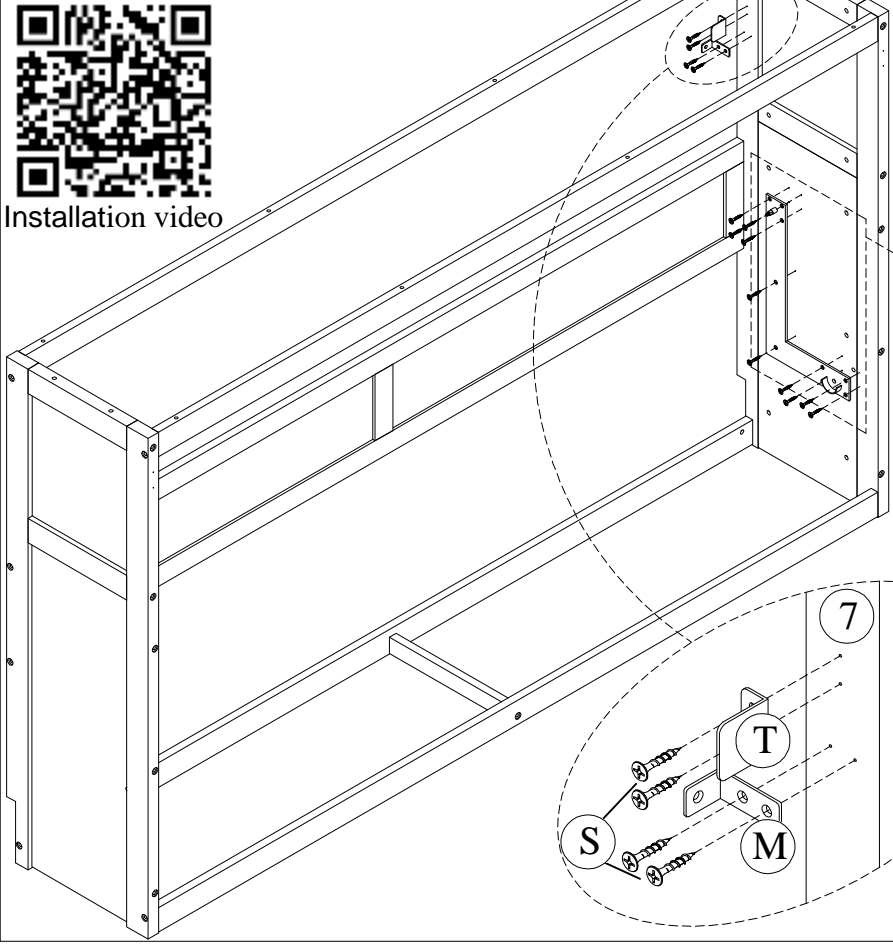


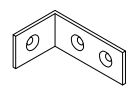
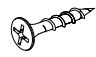
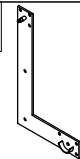
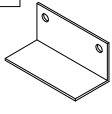
O	R
	
1pc	1pc



Installation video

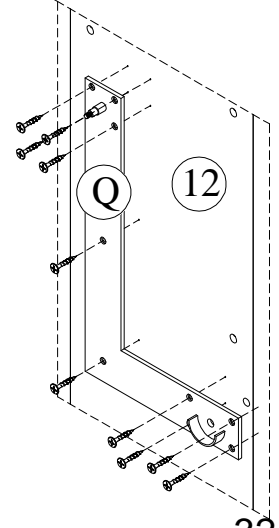
STEP-ÉTAPE 25 :



M	S
	
1pc	14pcs
Q	T
	
1pc	1pc



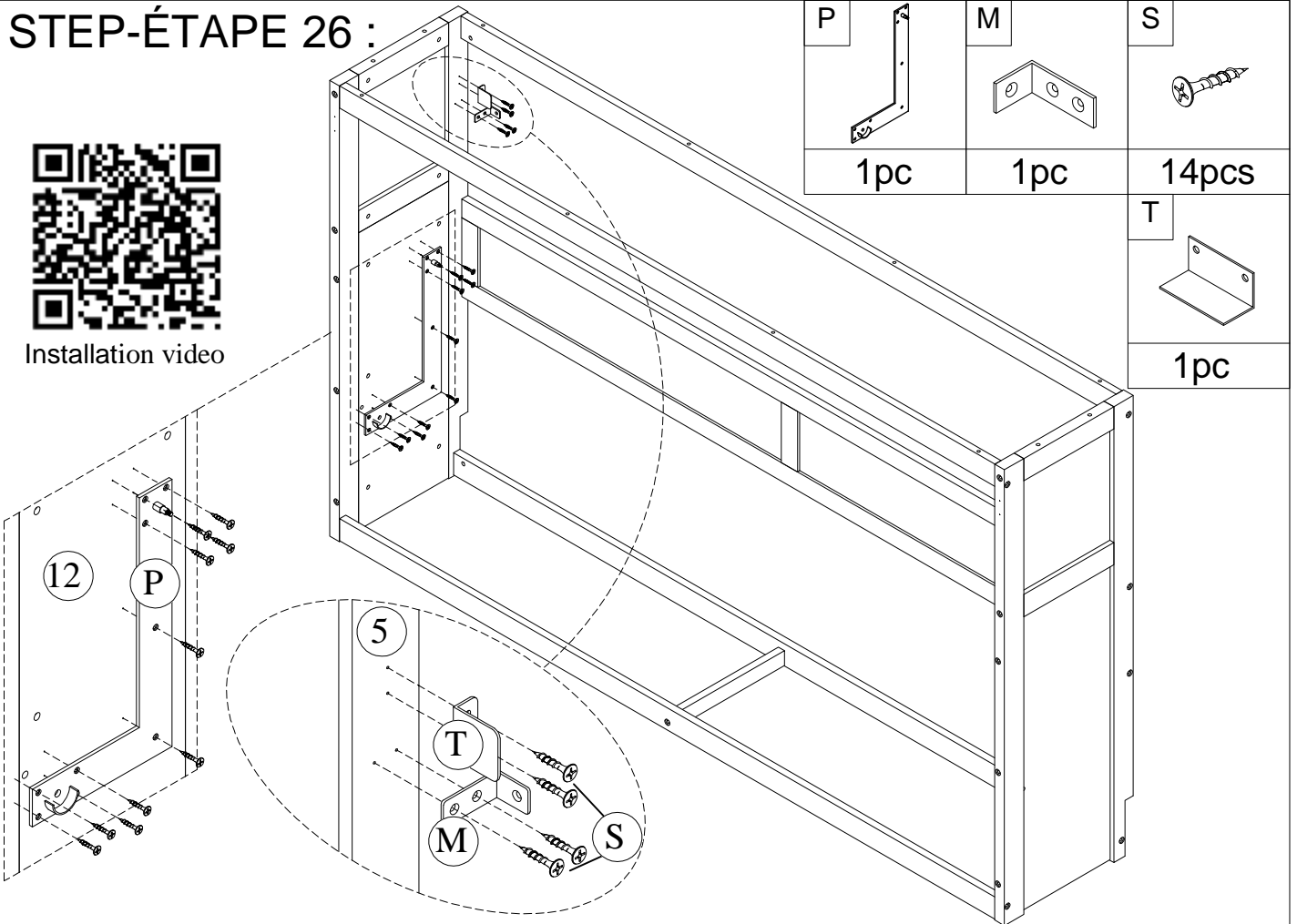
Installation video



STEP-ÉTAPE 26 :



Installation video



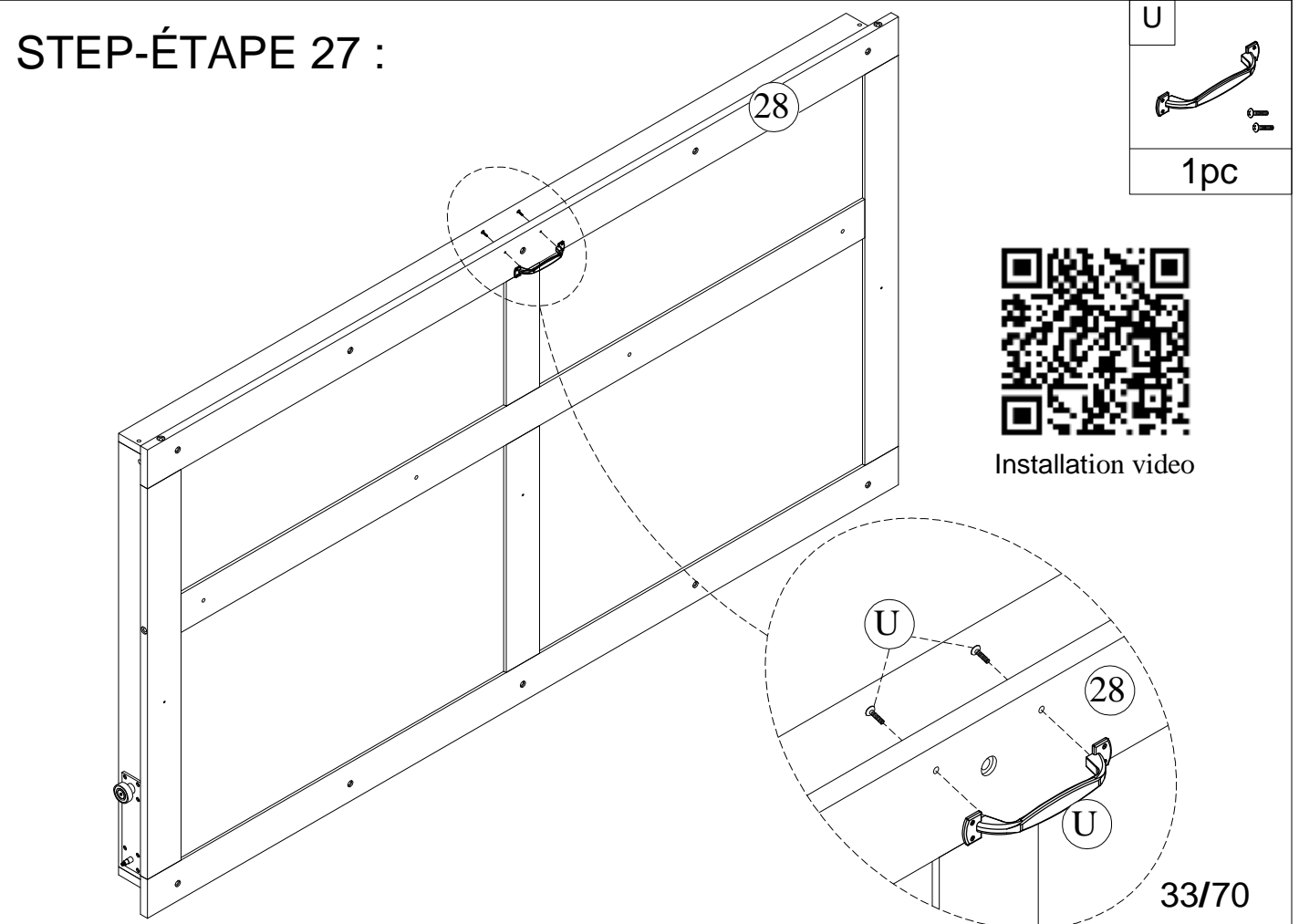
P	M	S
1pc	1pc	14pcs
		T
		1pc

STEP-ÉTAPE 27 :

U
1pc



Installation video

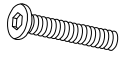


STEP-ÉTAPE 28 :

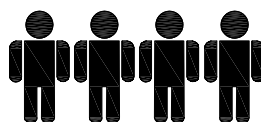
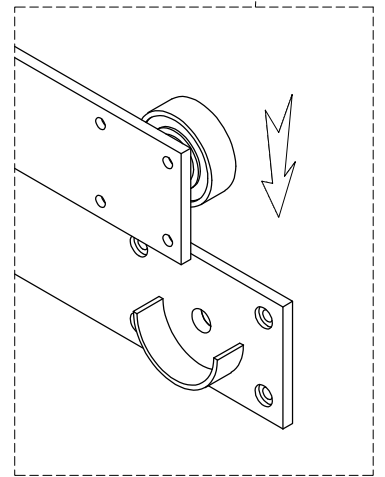
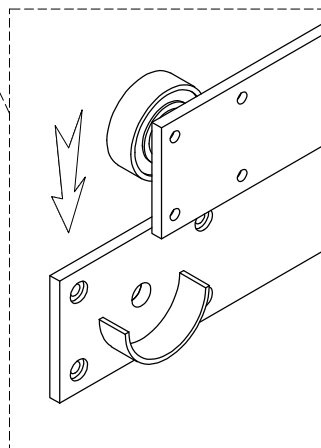
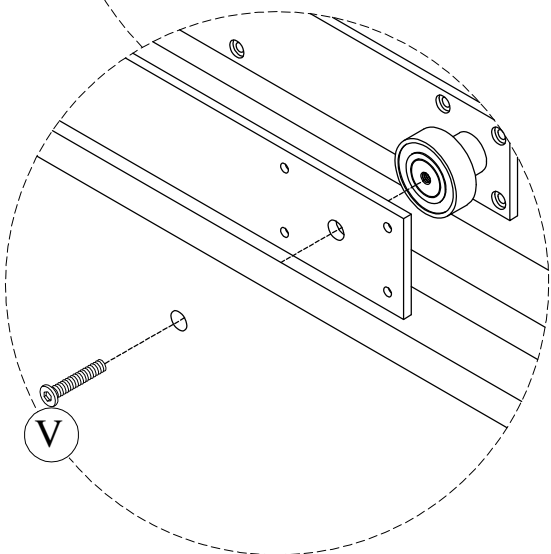
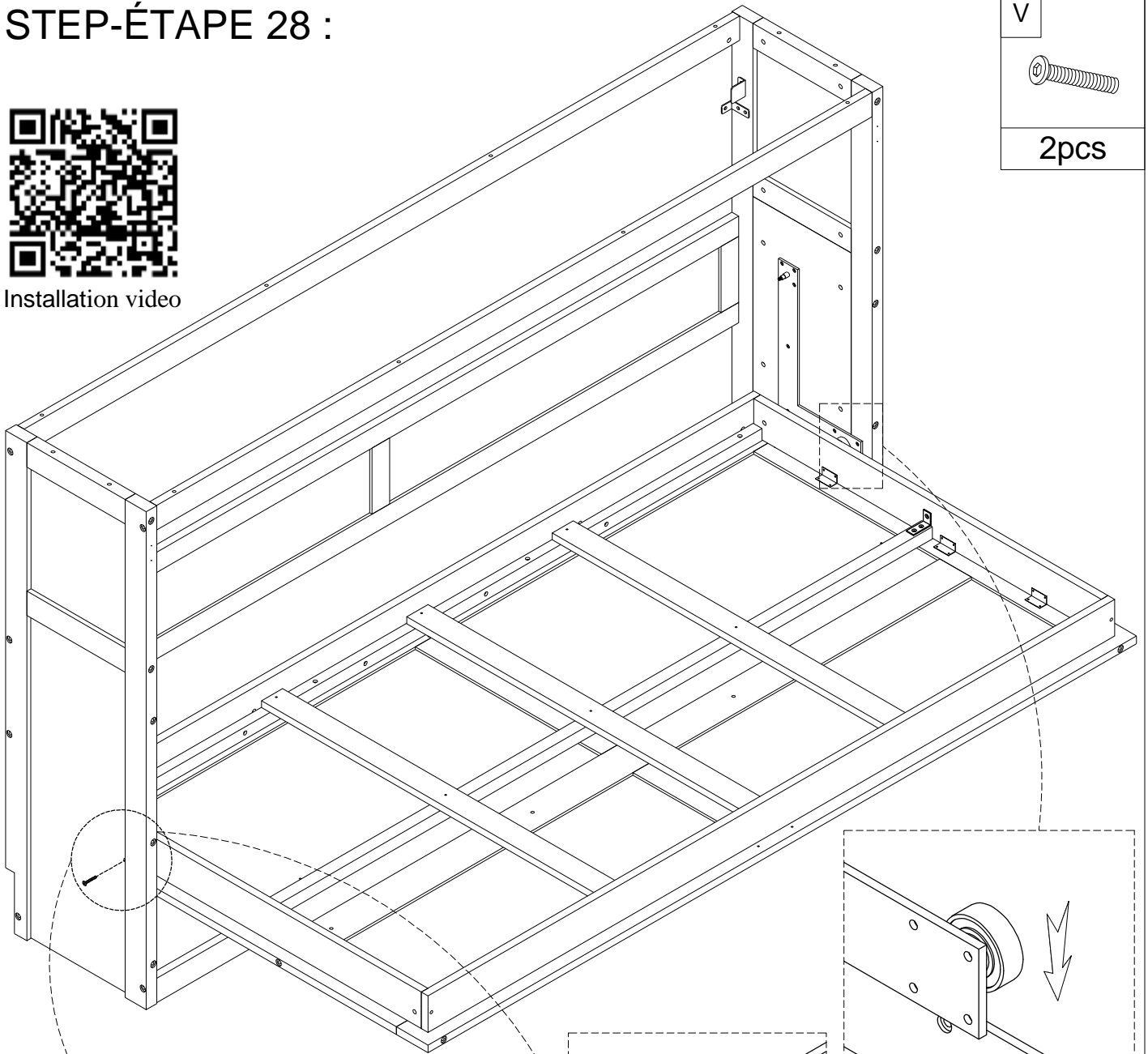


Installation video

V



2pcs



.Requires 4 people to assemble
(2 people hold the large cabinet
in place and 2 people tilt the bed
until accessories are in place)

STEP-ÉTAPE 29 :

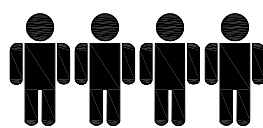
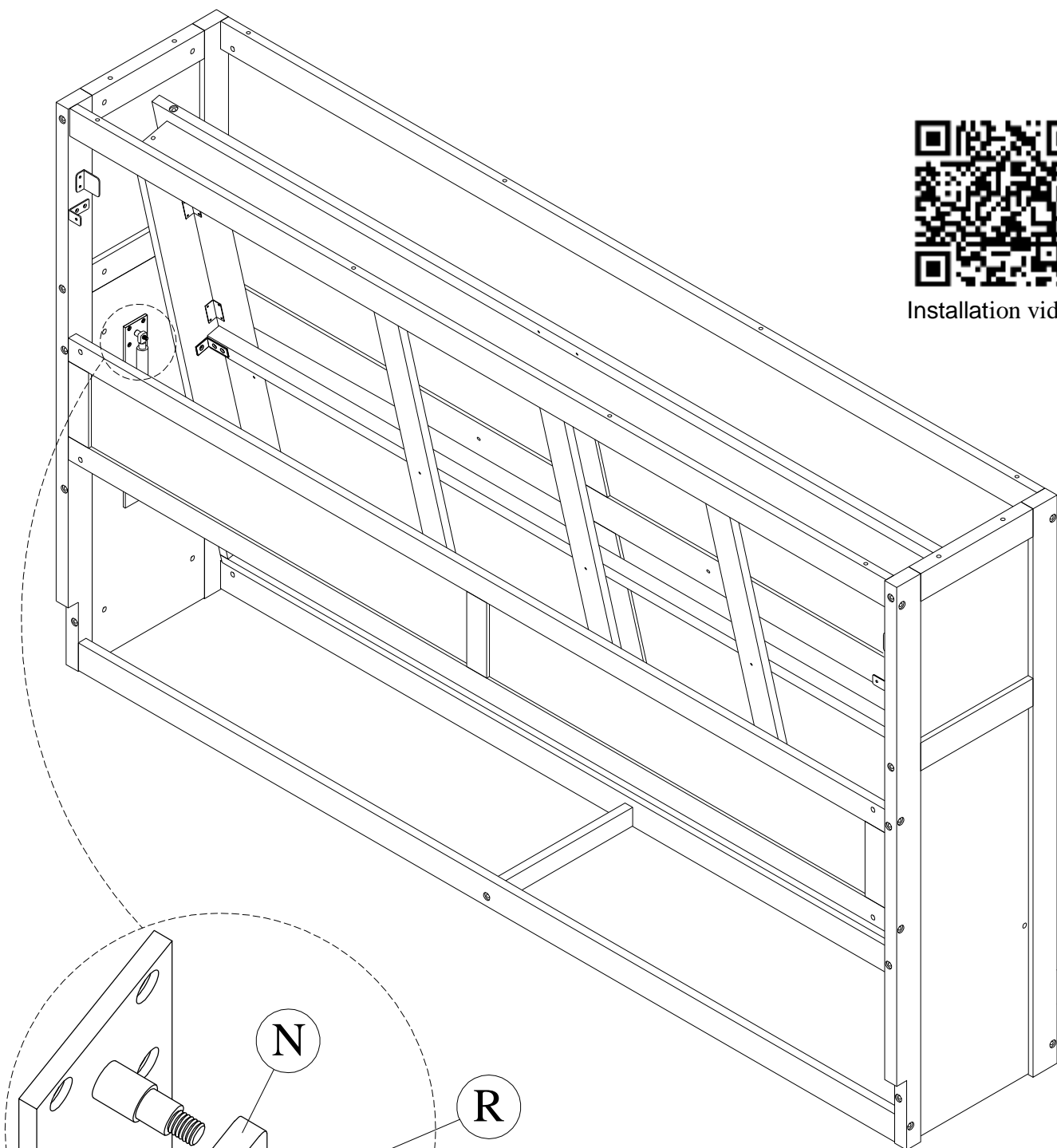
R



1pc



Installation video



.Requires 4 people to assemble
(2 people hold the large cabinet
in place and 2 people tilt the bed
until accessories are in place)

STEP-ÉTAPE 30 :

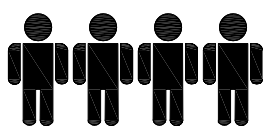
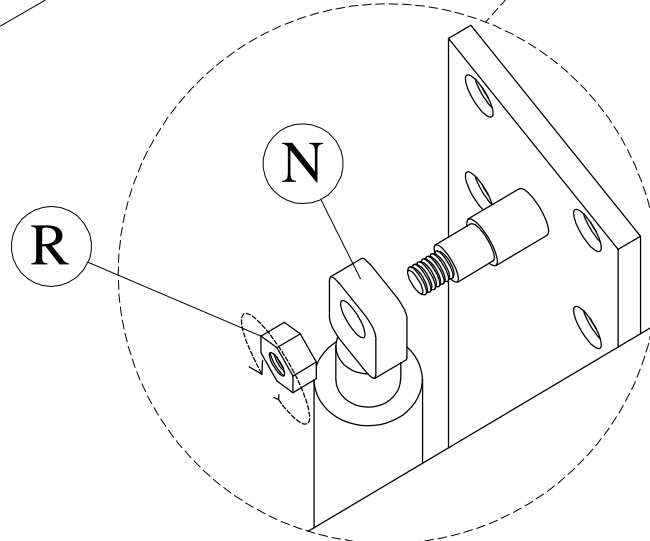
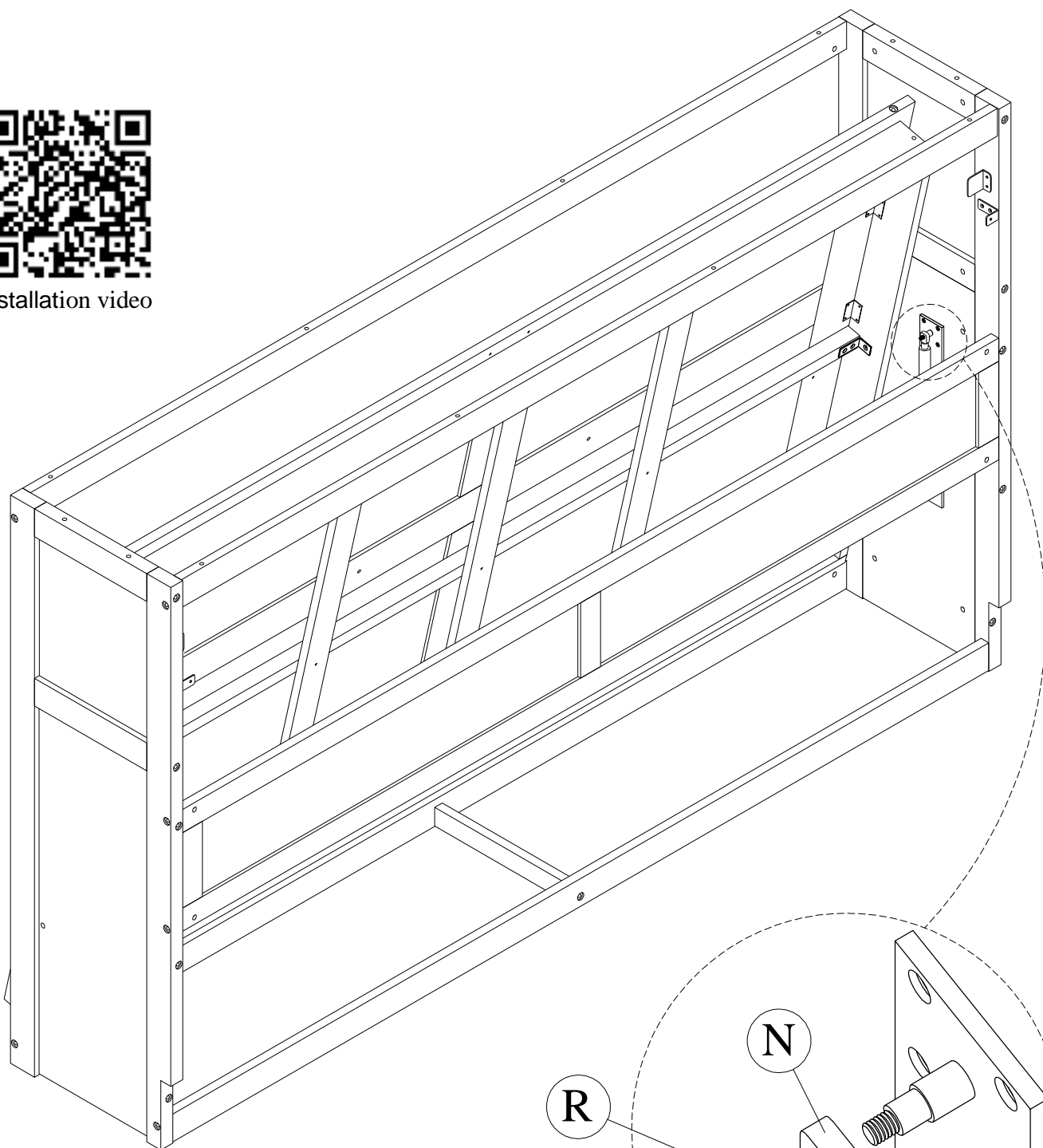
R



1pc



Installation video

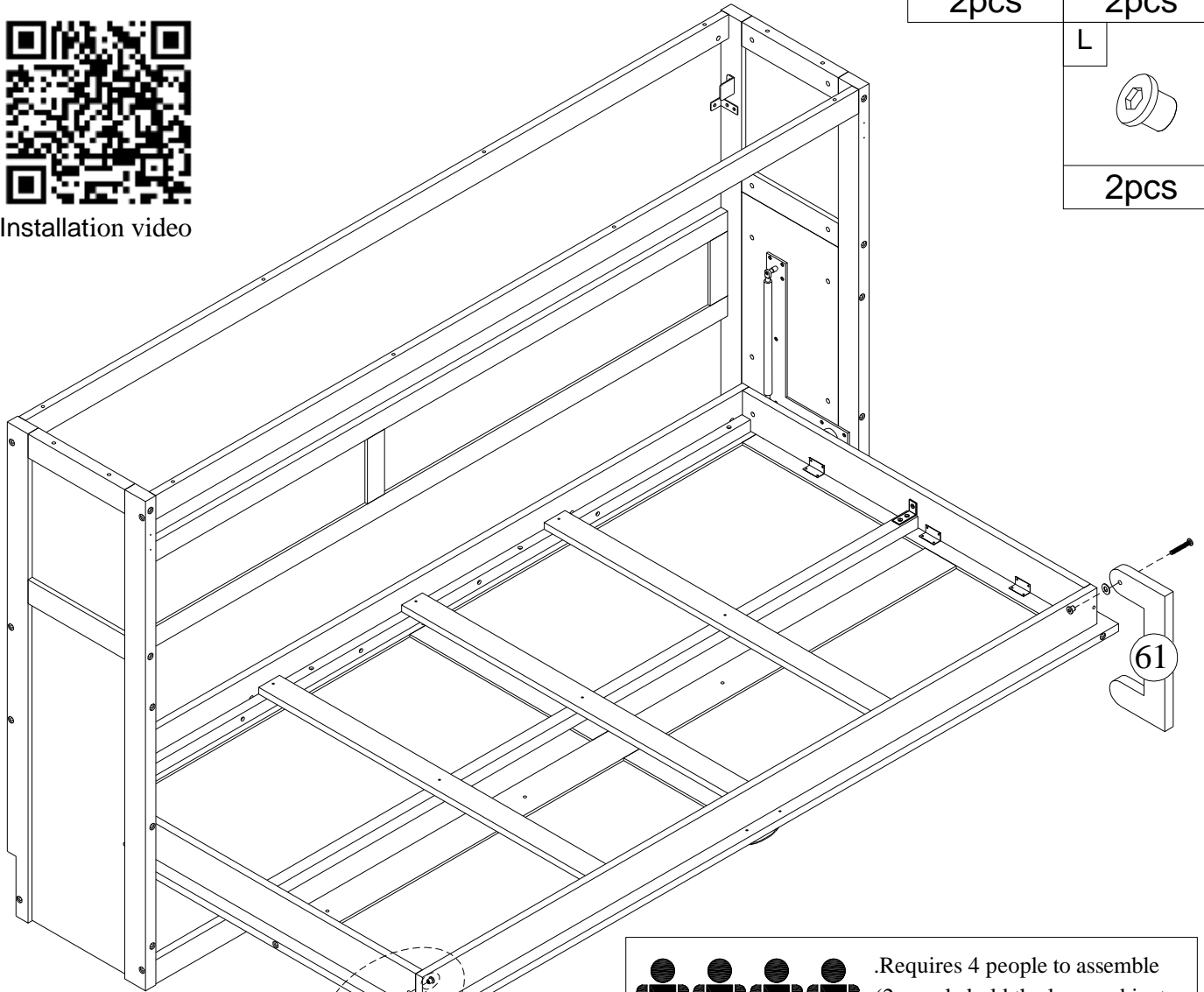


.Requires 4 people to assemble
(2 people hold the large cabinet
in place and 2 people tilt the bed
until accessories are in place)

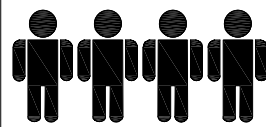
STEP-ÉTAPE 31 :



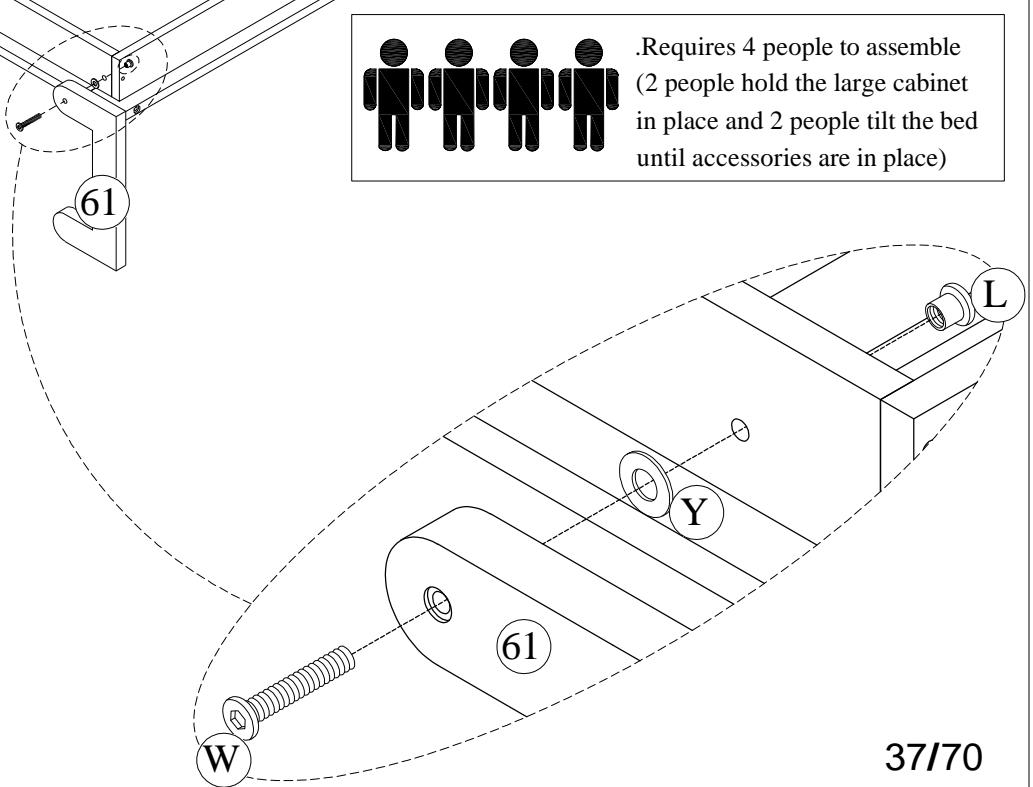
Installation video



W	Y
2pcs	2pcs
	L
	2pcs

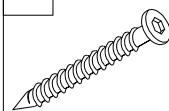


.Requires 4 people to assemble
(2 people hold the large cabinet
in place and 2 people tilt the bed
until accessories are in place)



STEP-ÉTAPE 32 :

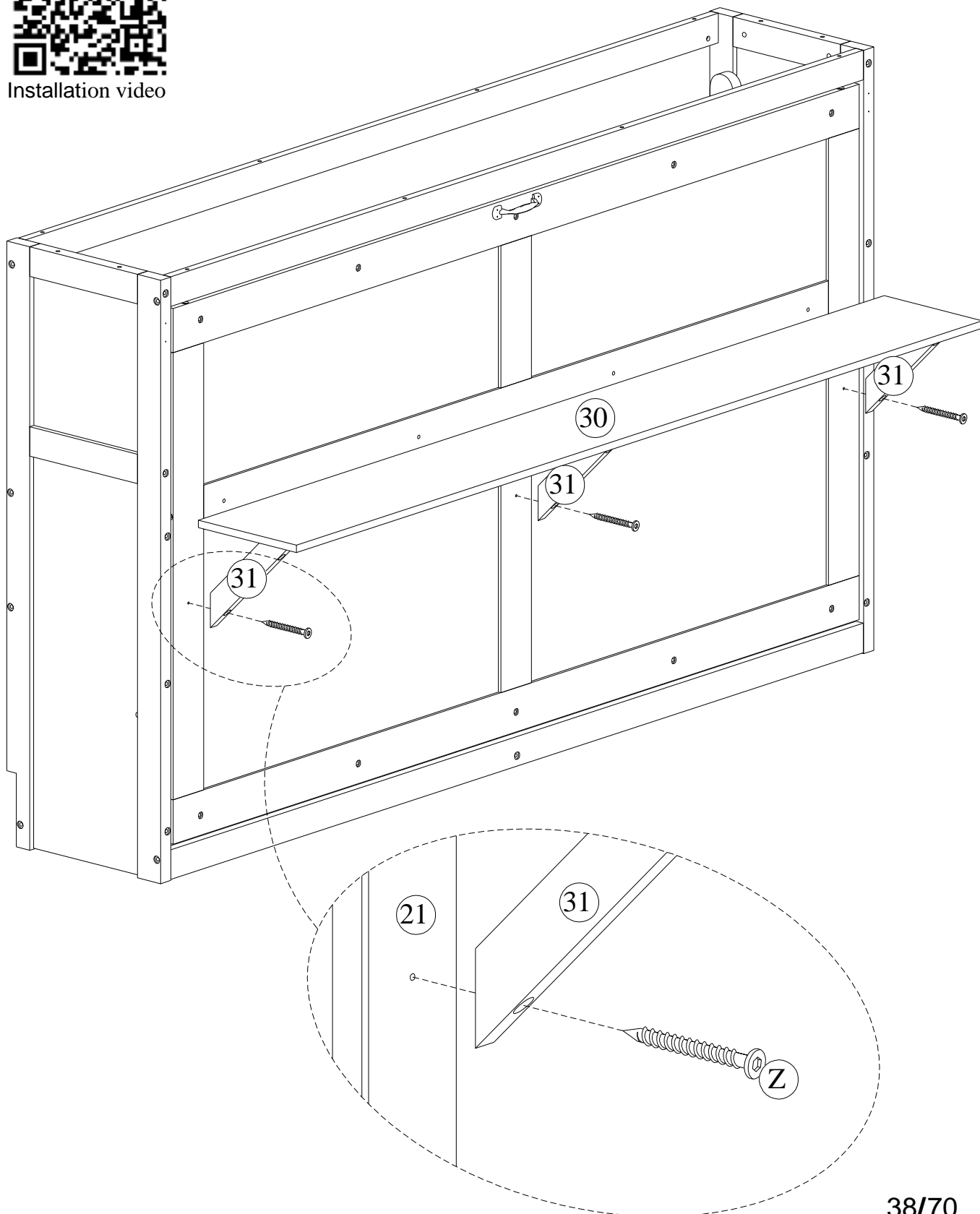
Z





3pcs

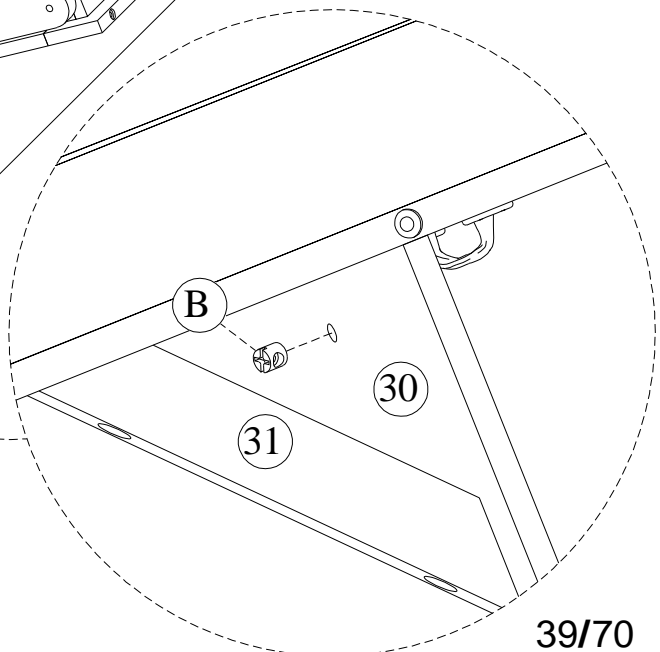
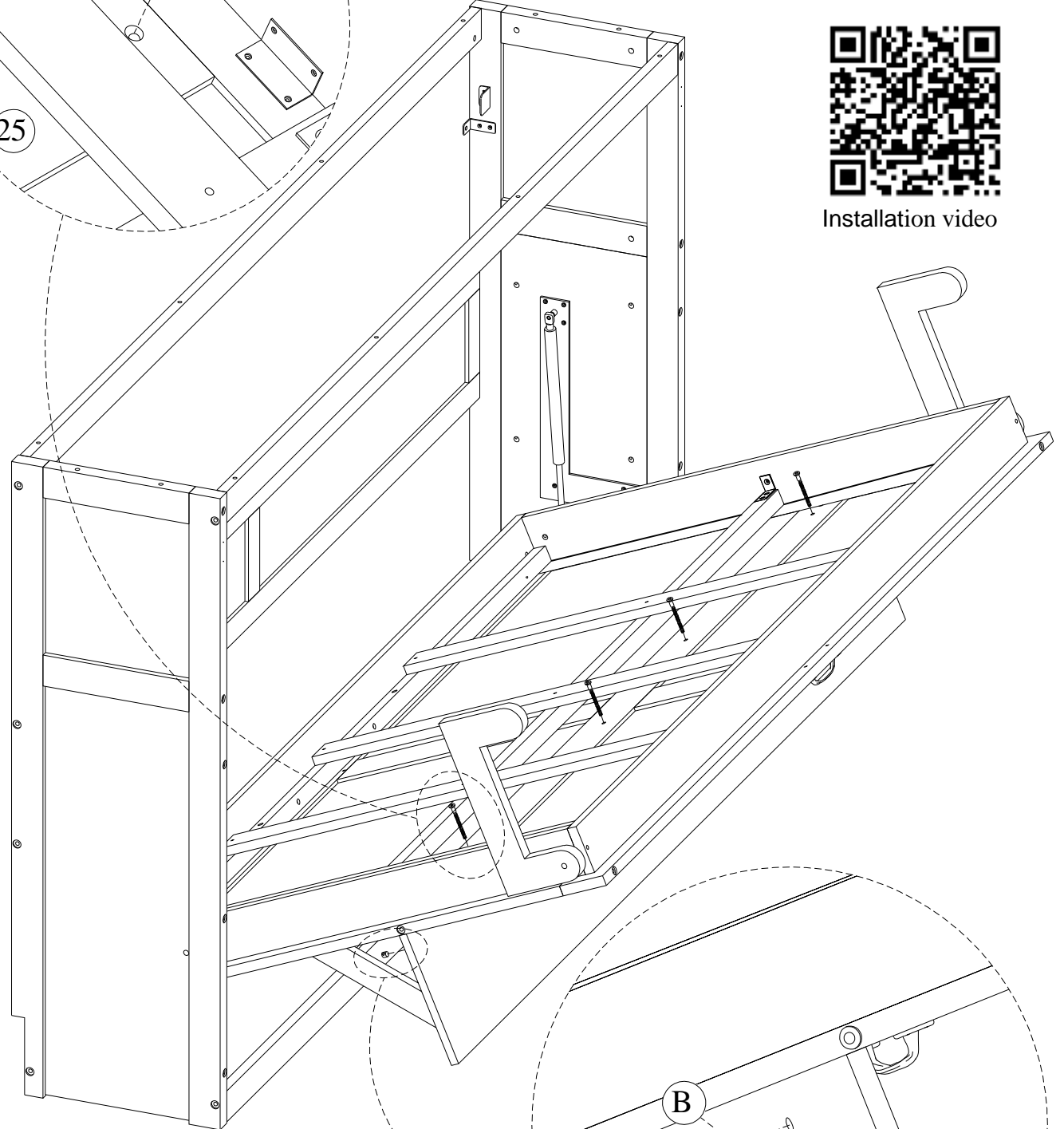
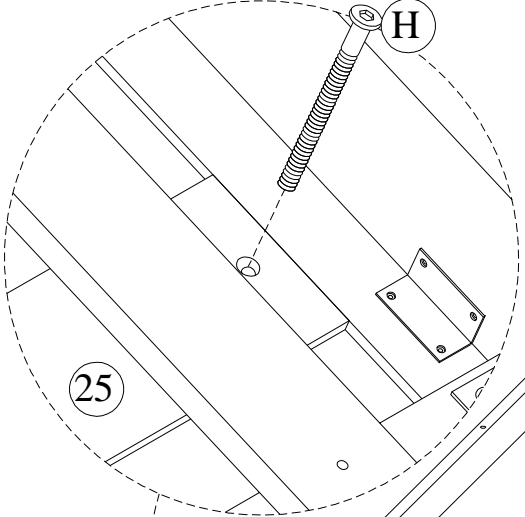



Installation video



STEP-ÉTAPE 33 :

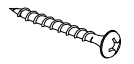
B	H
	
4pcs	4pcs



 .Requires 4 people to assemble
(2 people hold the large cabinet
in place and 2 people tilt the bed
until accessories are in place)

STEP-ÉTAPE 33.5 :

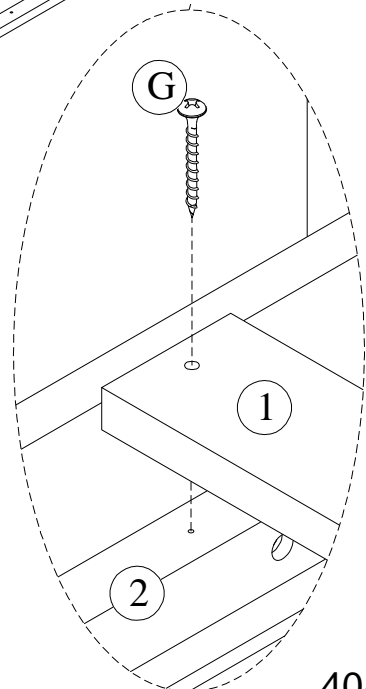
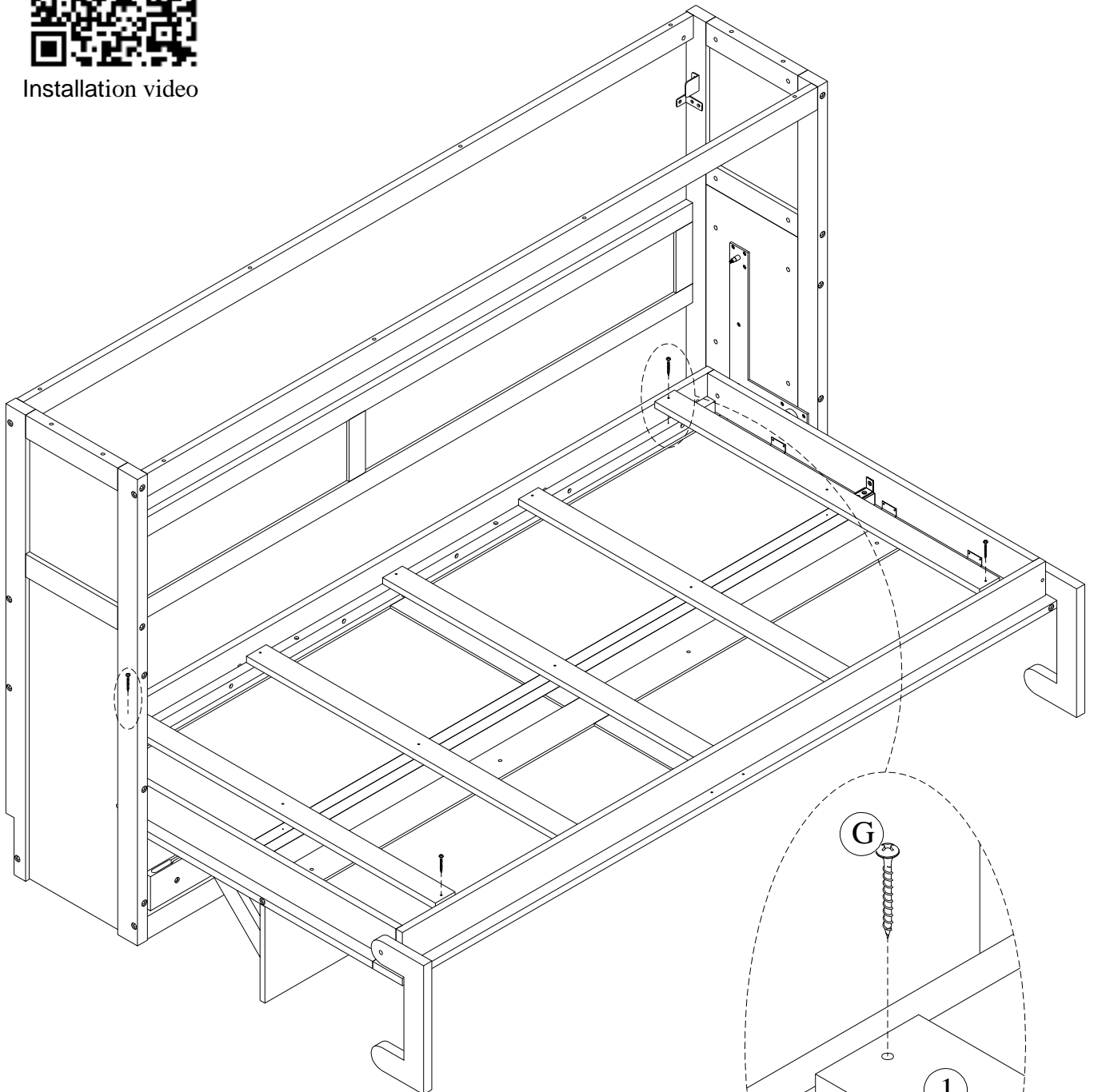
G



6pcs

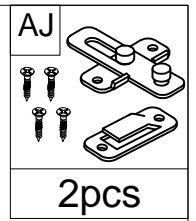


Installation video

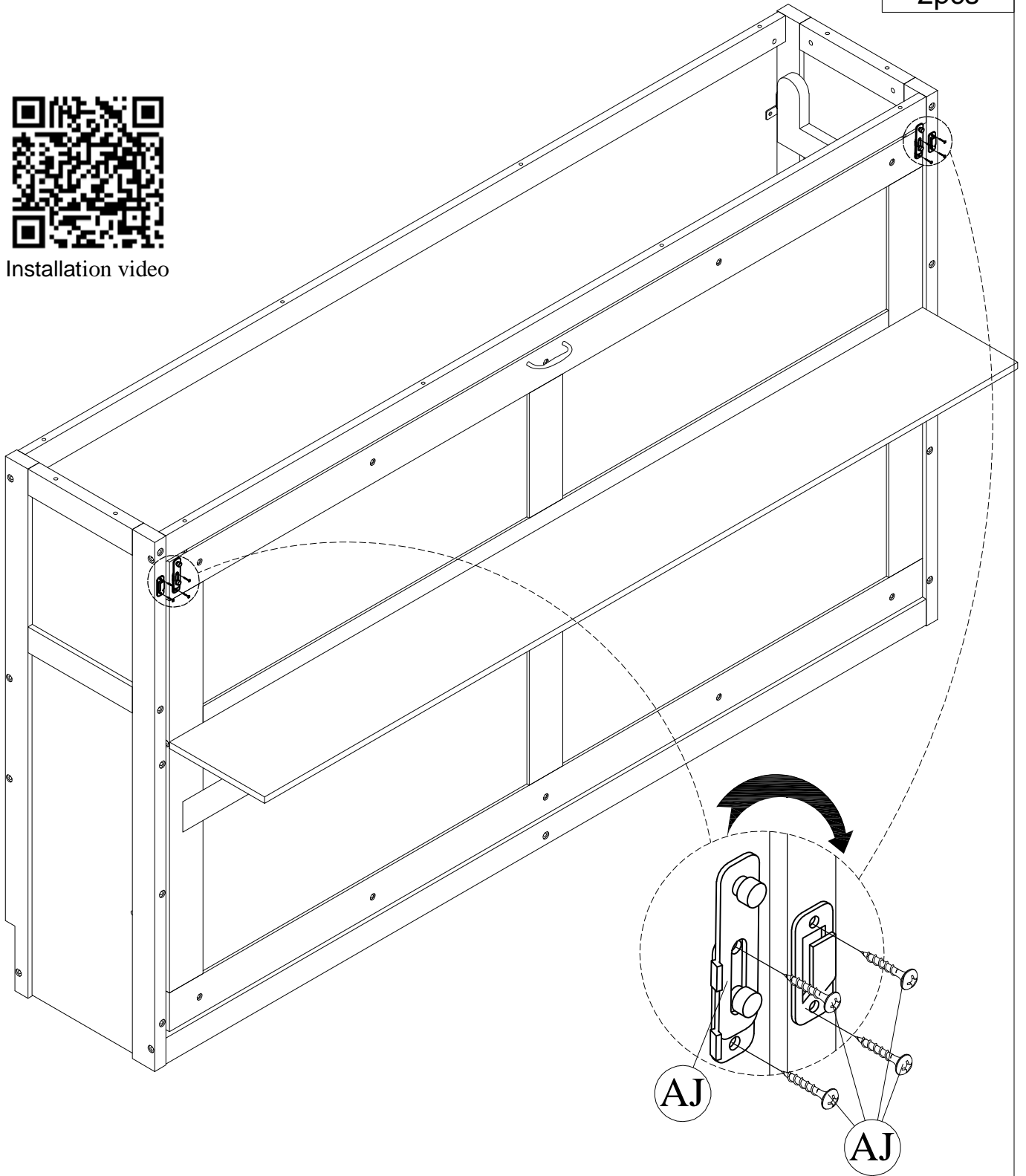


40/70

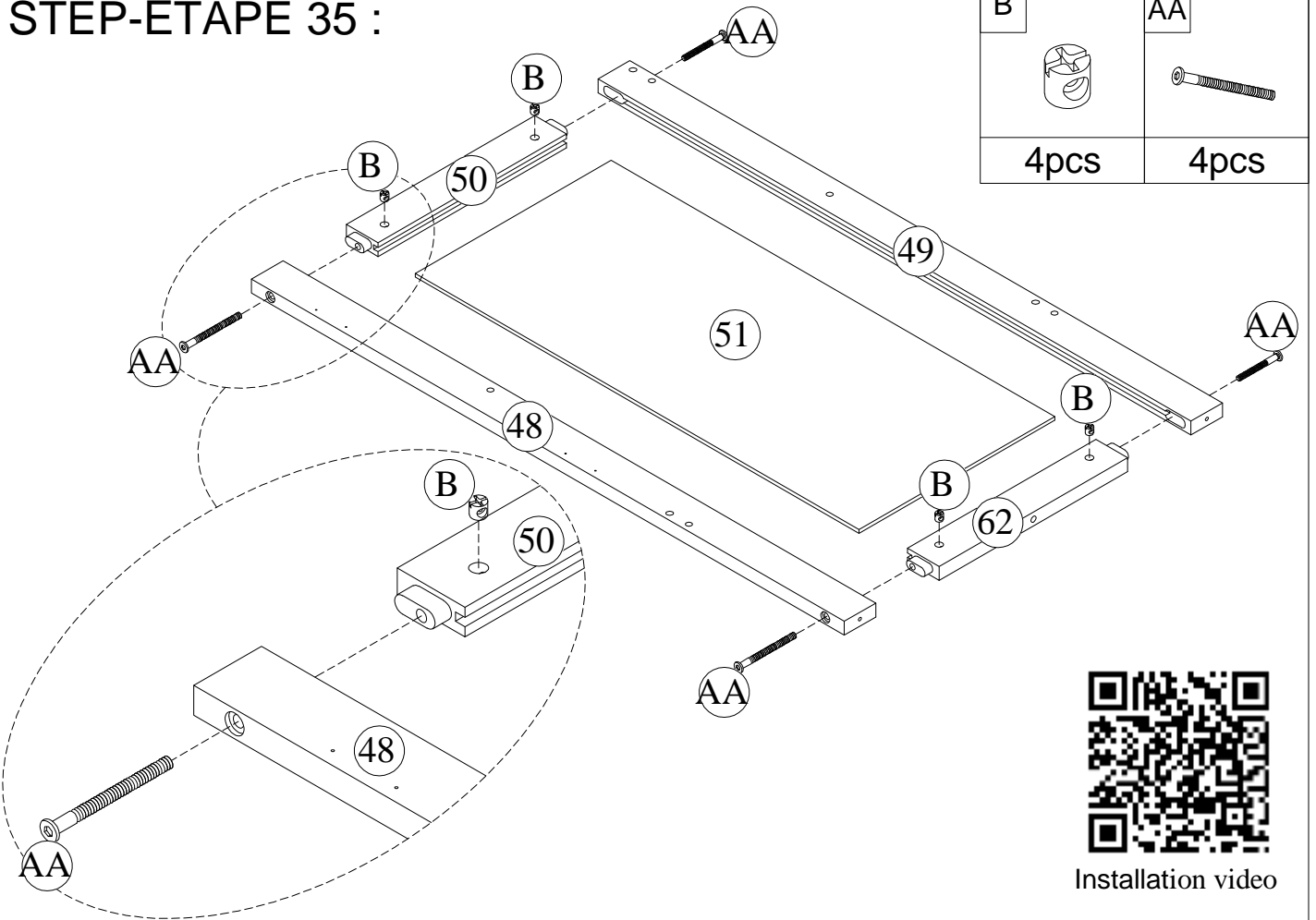
STEP-ÉTAPE 34 :





Installation video



STEP-ÉTAPE 35 :

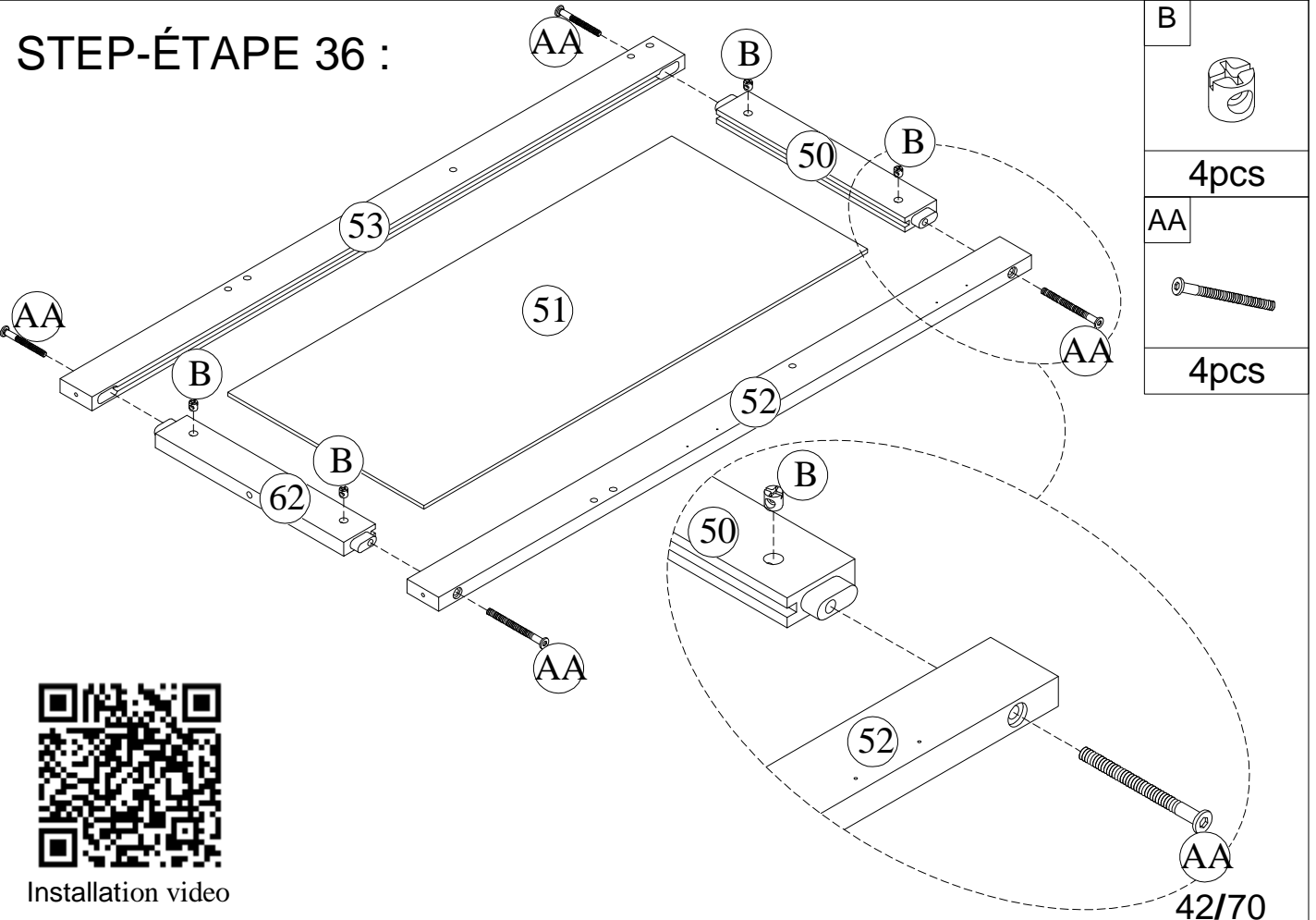




B	AA
	
4pcs	4pcs



Installation video

STEP-ÉTAPE 36 :



B	AA
	
4pcs	4pcs

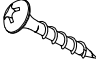




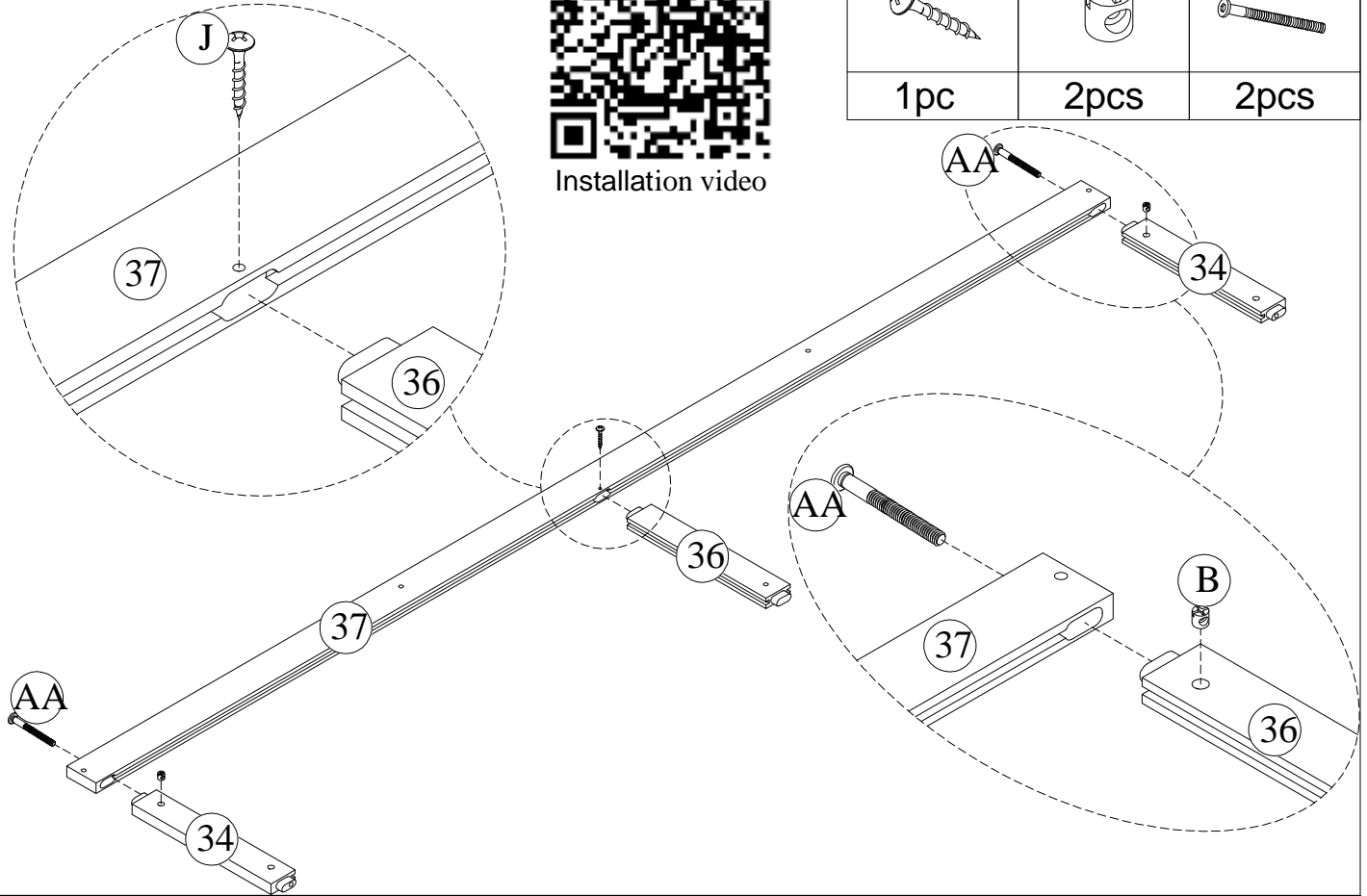
Installation video

STEP-ÉTAPE 37 :



Installation video

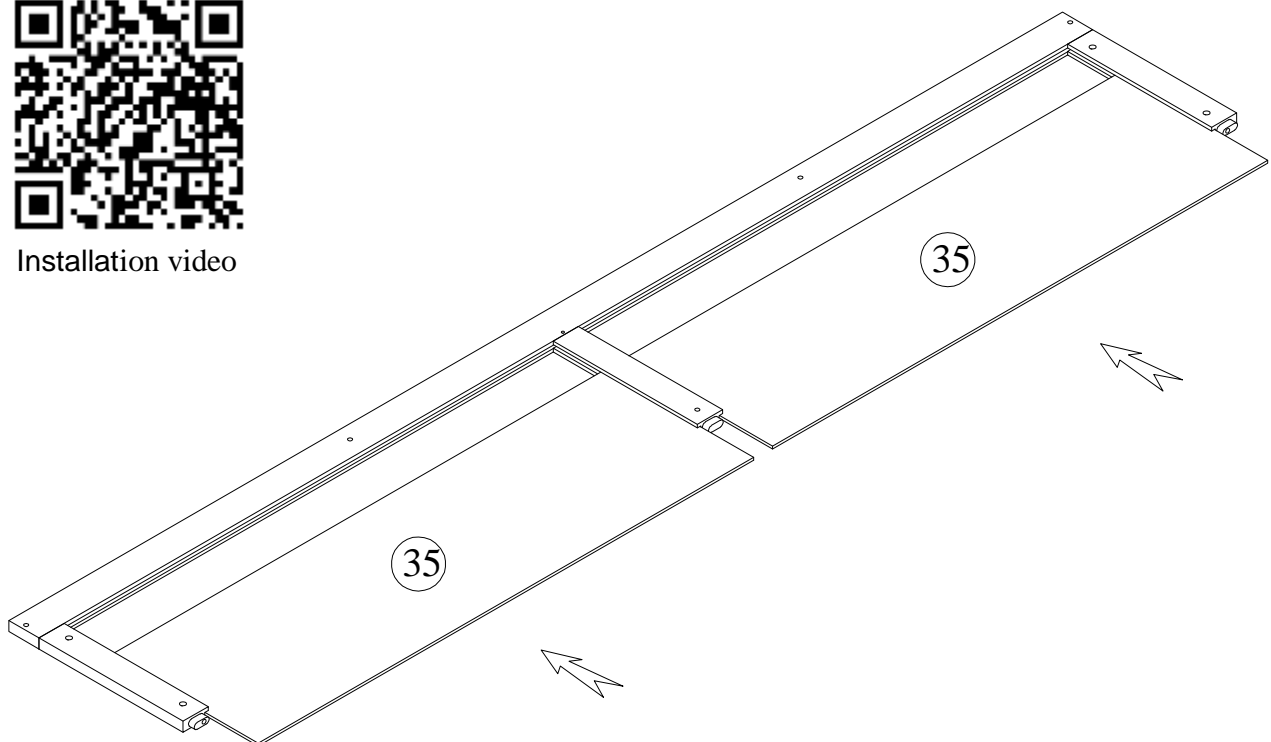
J	B	AA
		
1pc	2pcs	2pcs



STEP-ÉTAPE 38 :



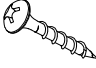


Installation video

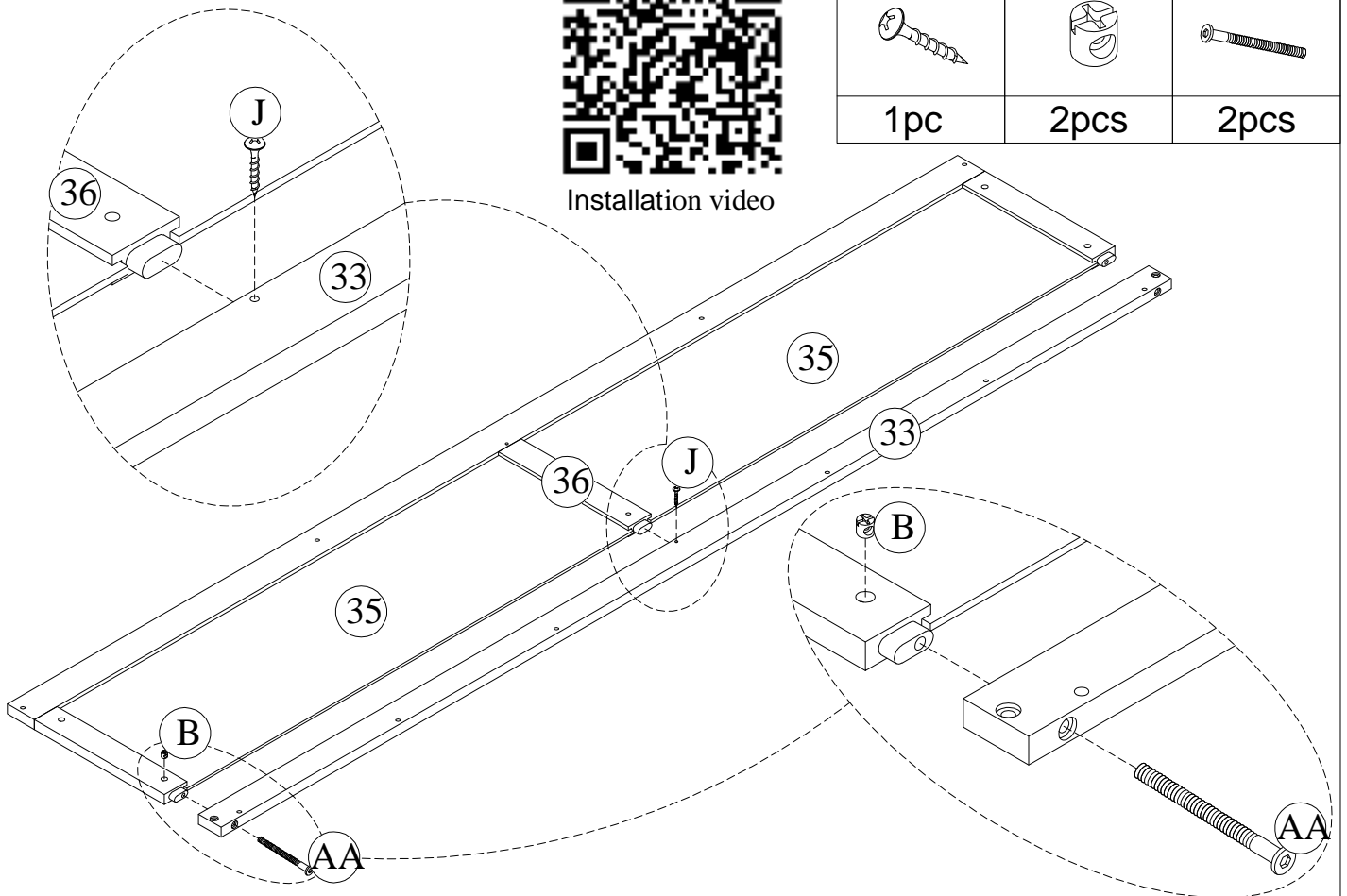


STEP-ÉTAPE 39 :

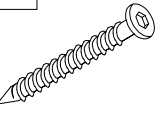


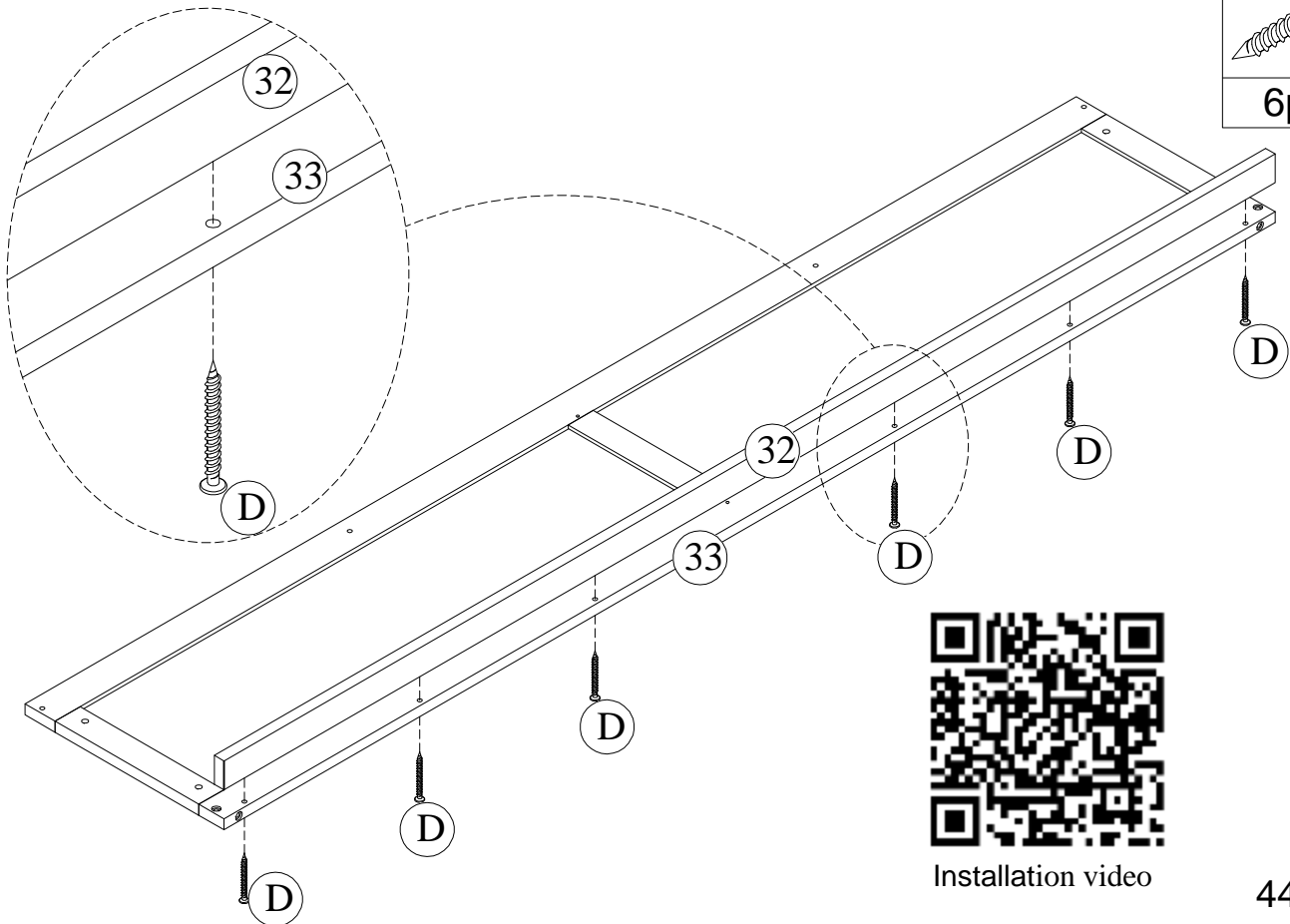
Installation video

J	B	AA
		
1pc	2pcs	2pcs



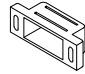
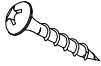
STEP-ÉTAPE 40 :

D

6pcs



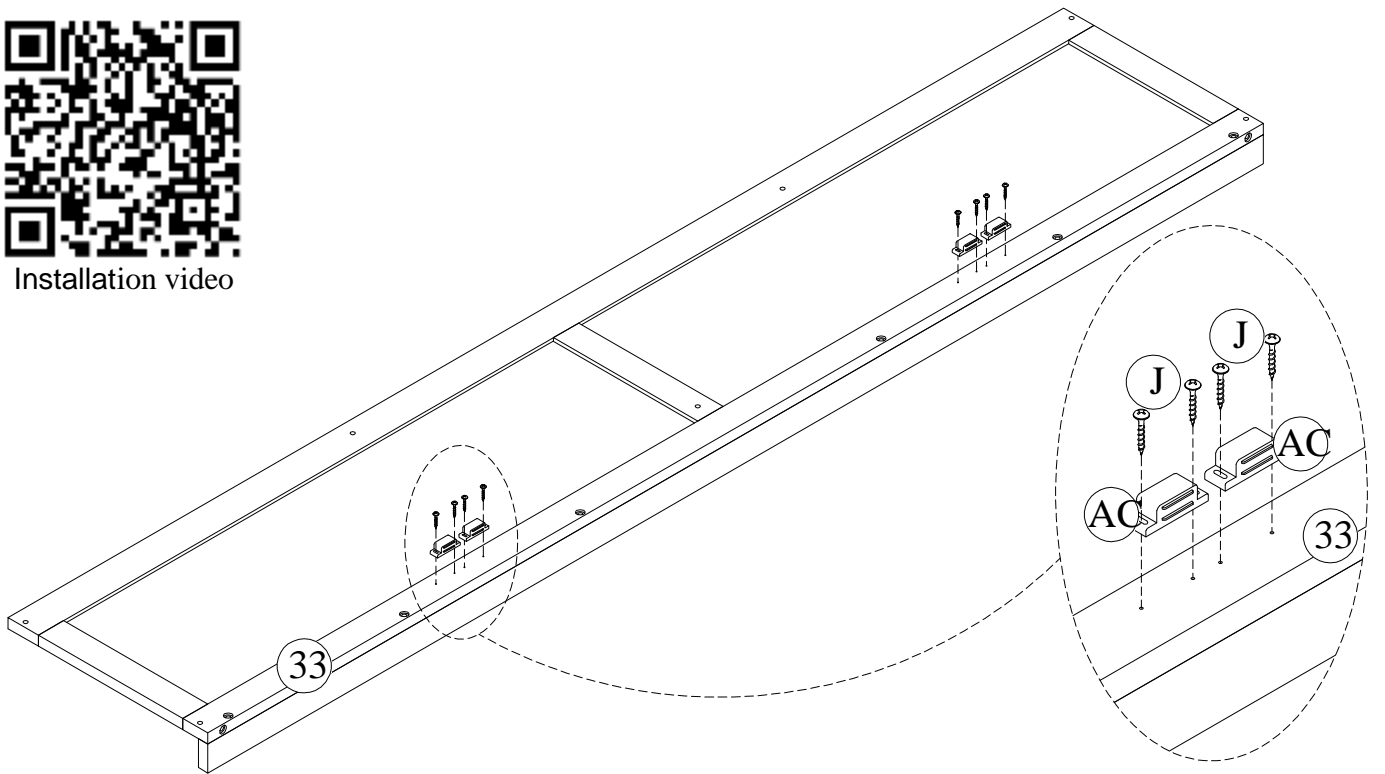
Installation video

STEP-ÉTAPE 41 :

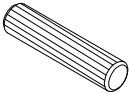
AC	J
	
4pcs	8pc



Installation video

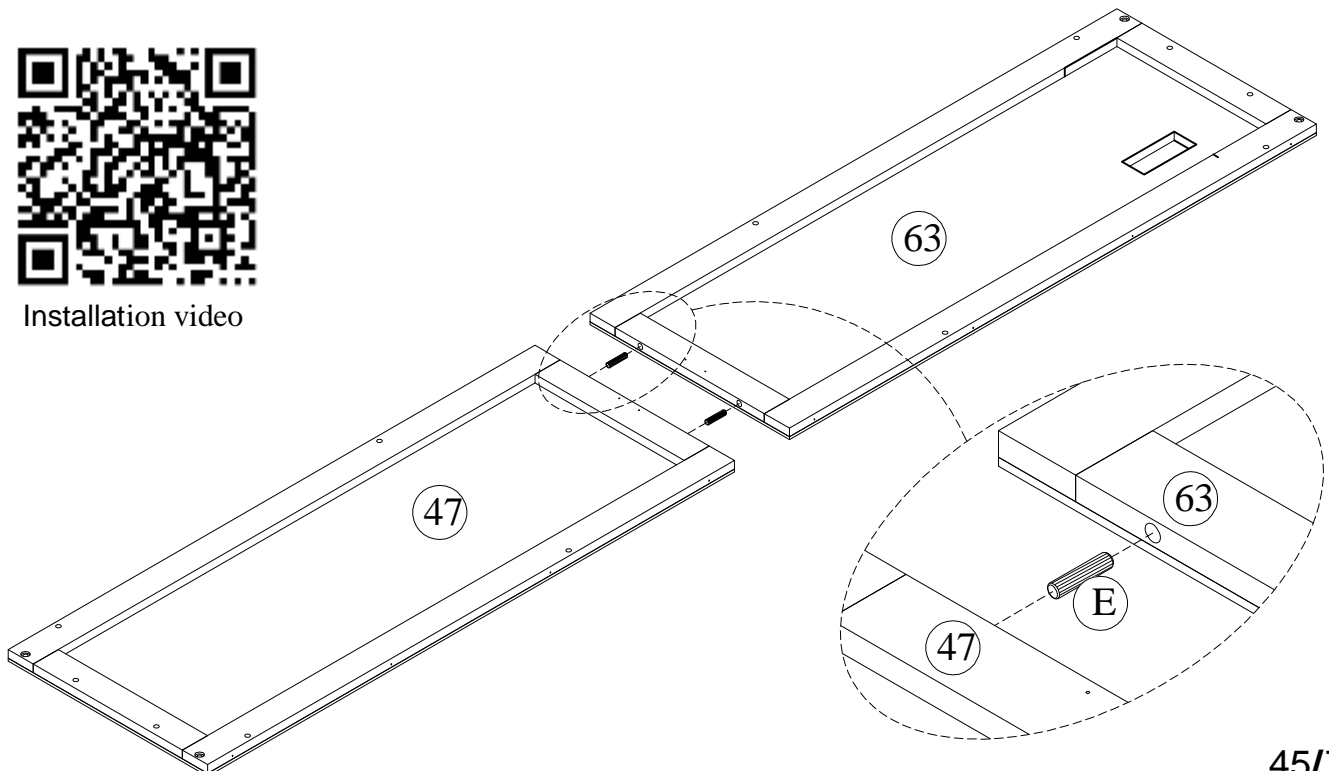


STEP-ÉTAPE 42 :

E

2pcs



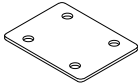
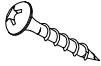
Installation video

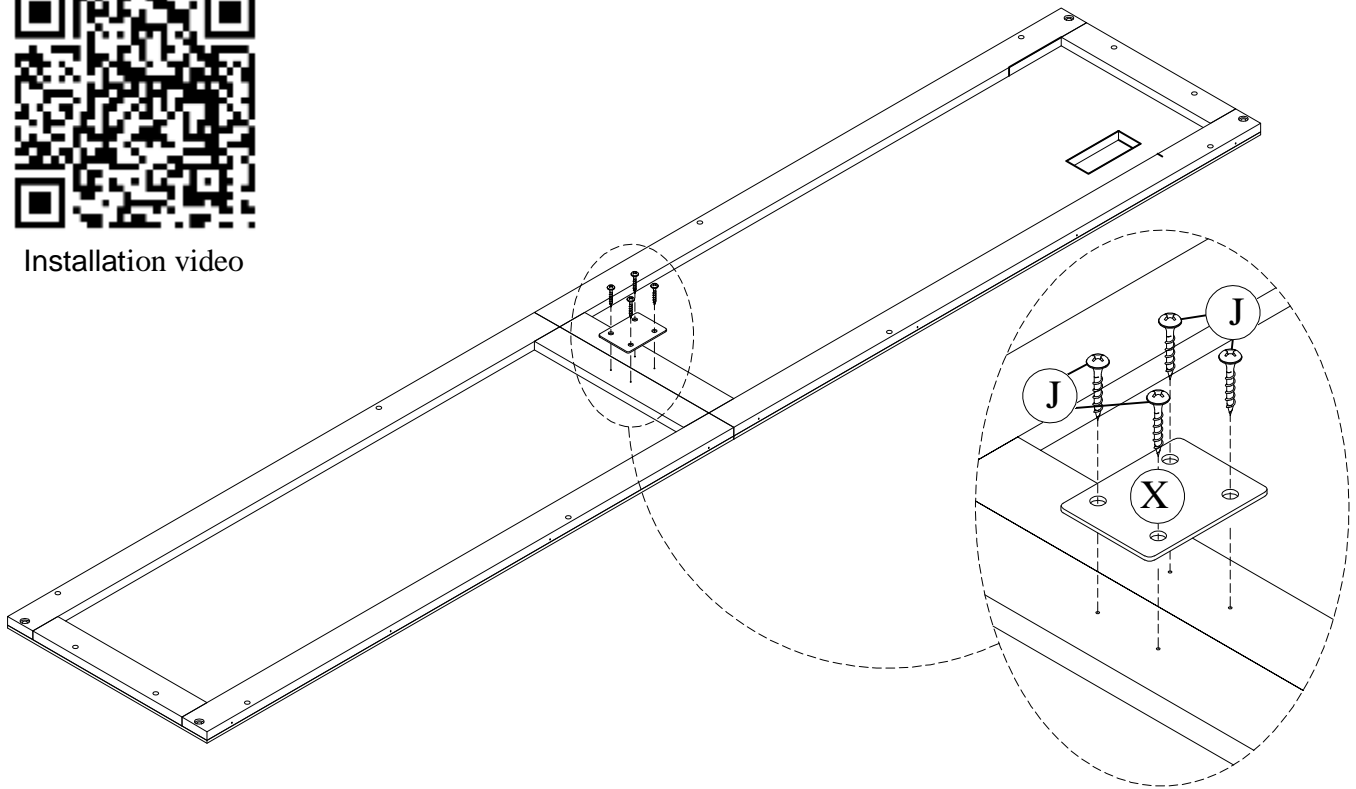


STEP-ÉTAPE 43 :



Installation video


X	J
	
1pc	4pcs

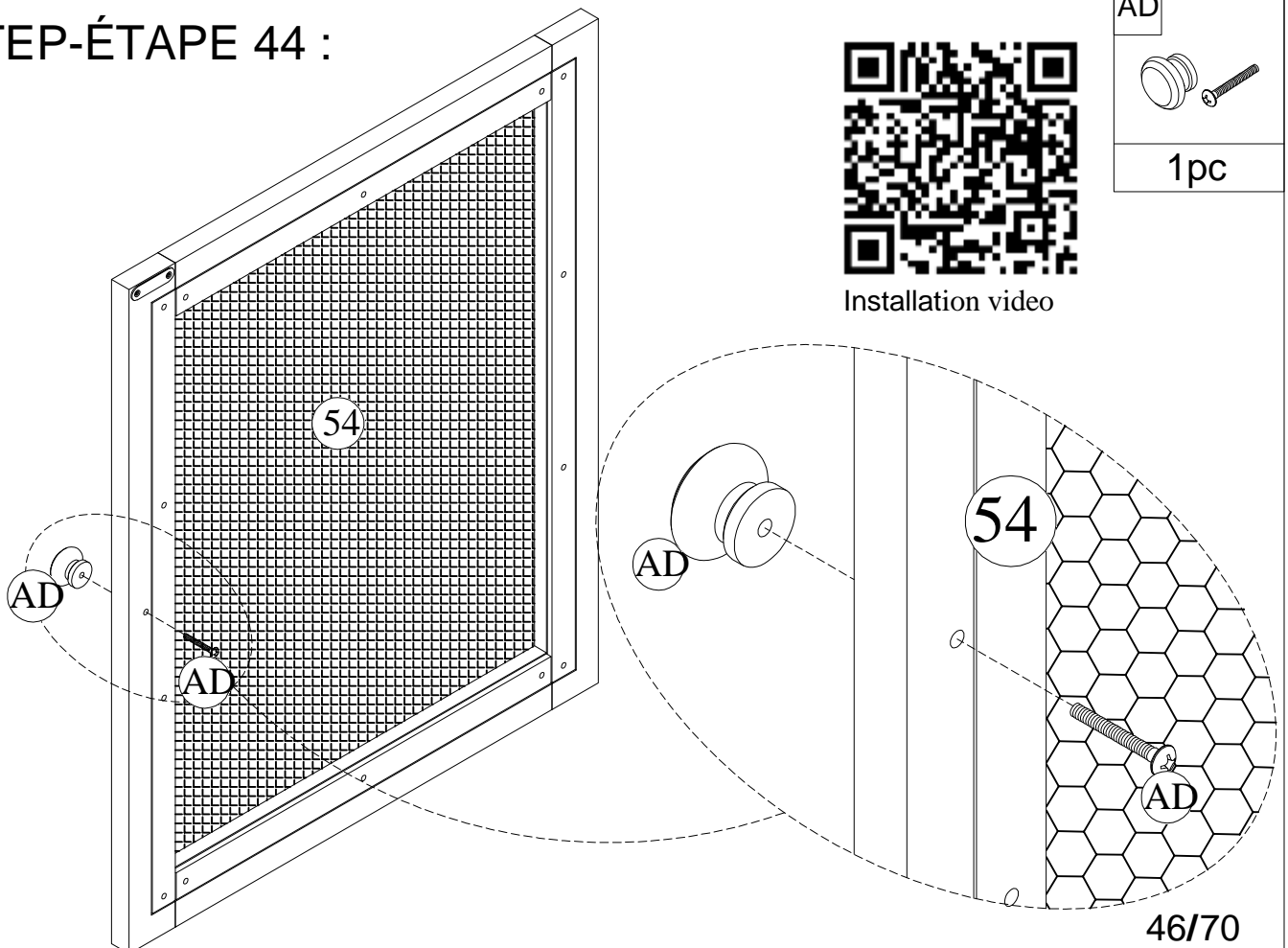


STEP-ÉTAPE 44 :

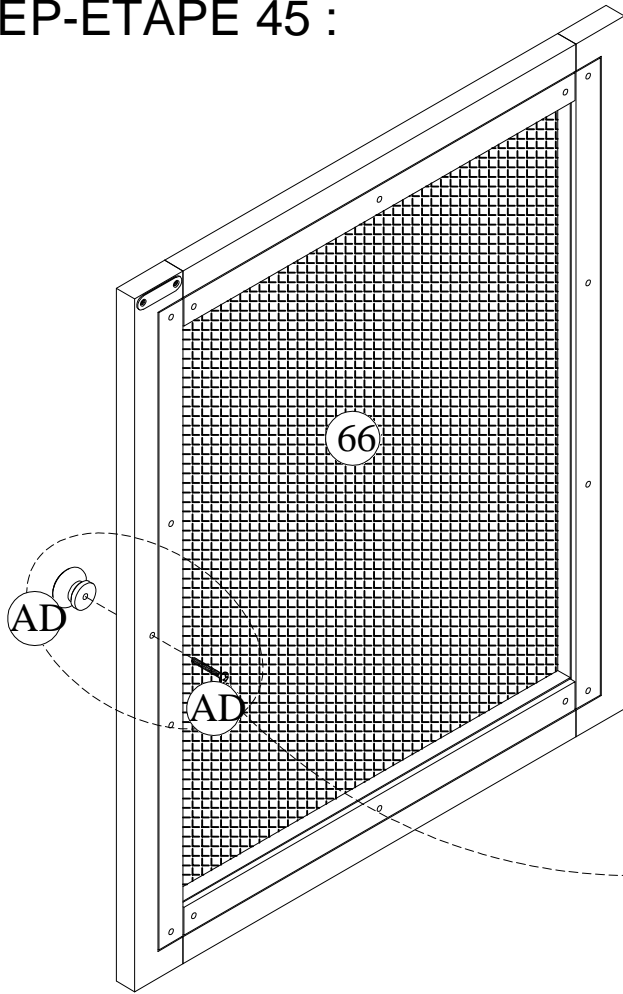


Installation video

AD

1pc



STEP-ÉTAPE 45 :

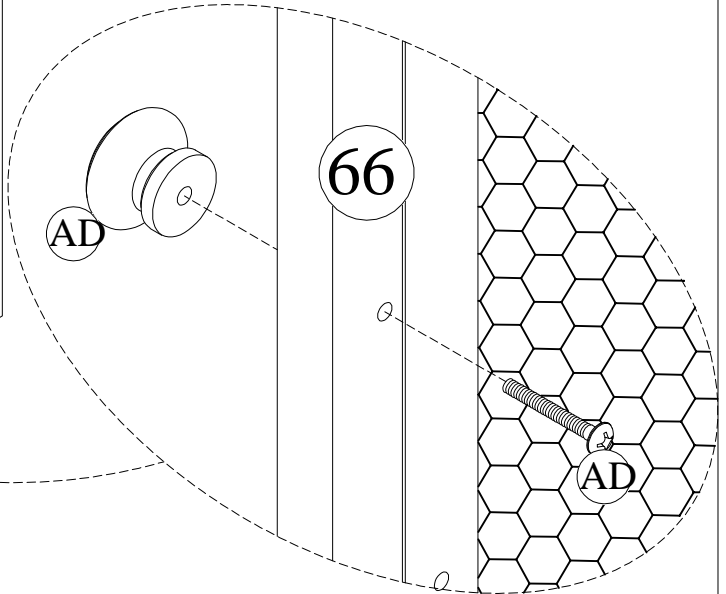


Installation video

AD



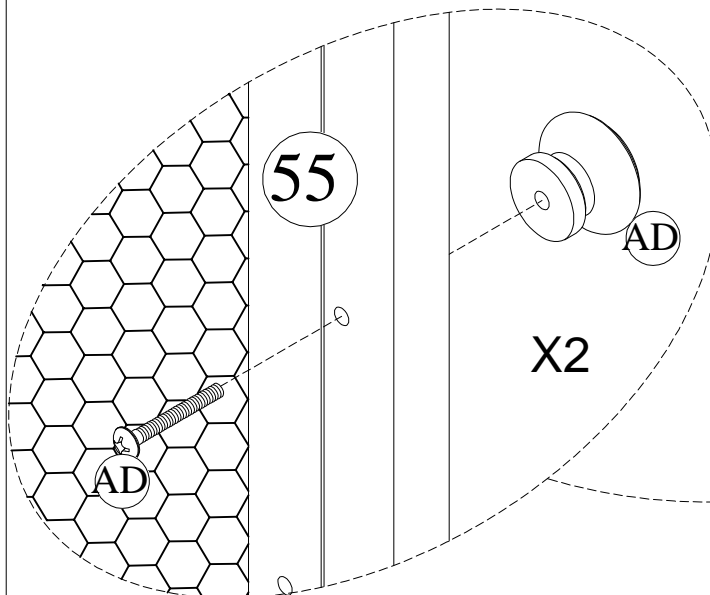
1pc



STEP-ÉTAPE 46 :



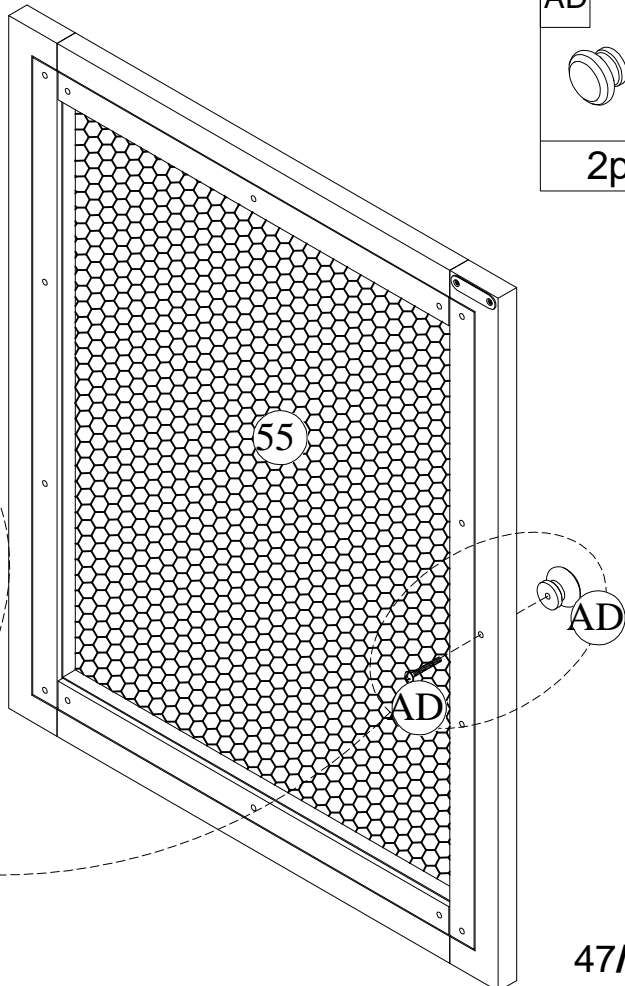
Installation video



AD



2pcs

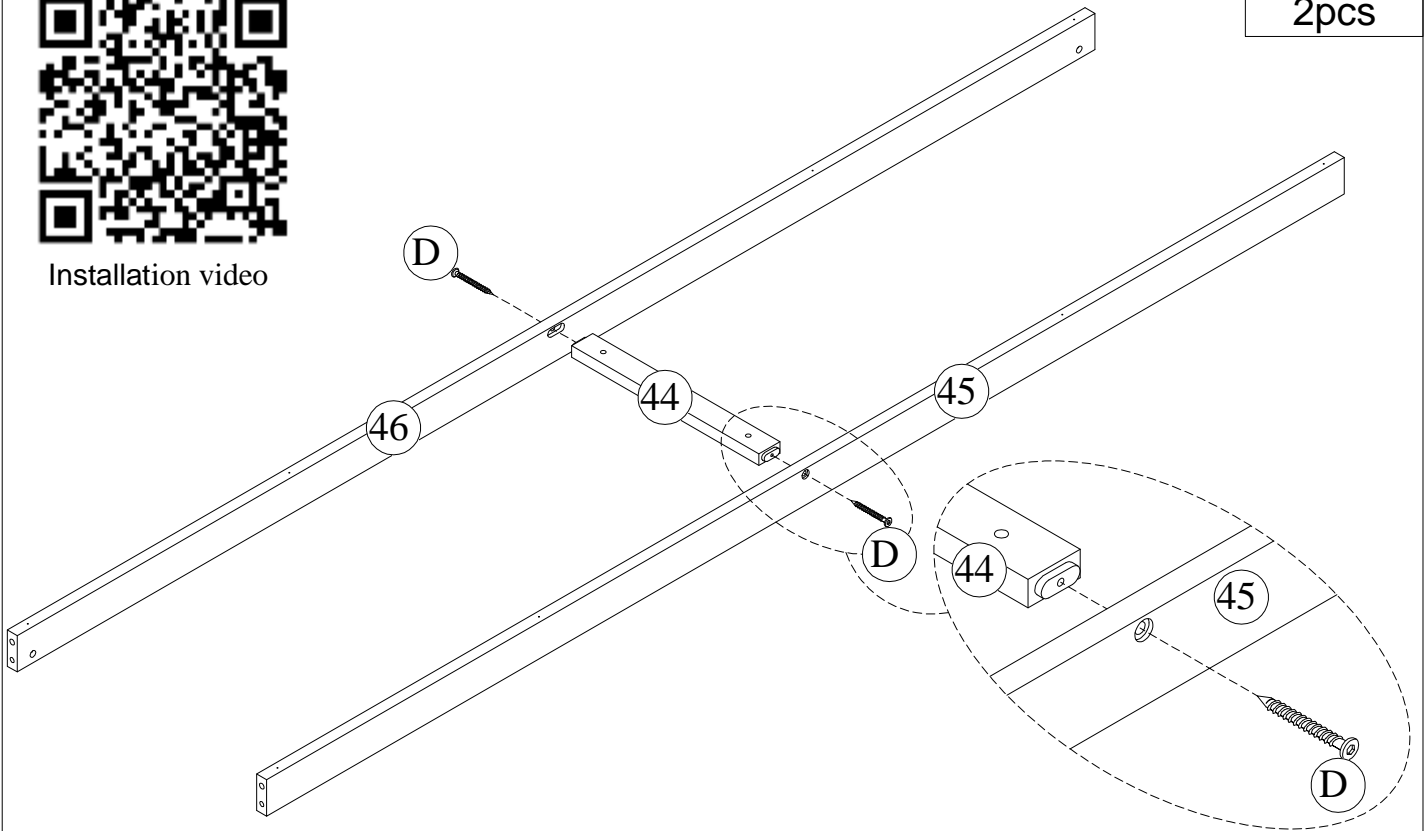
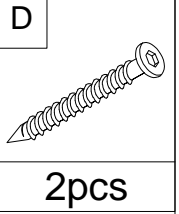


47170

STEP-ÉTAPE 47 :



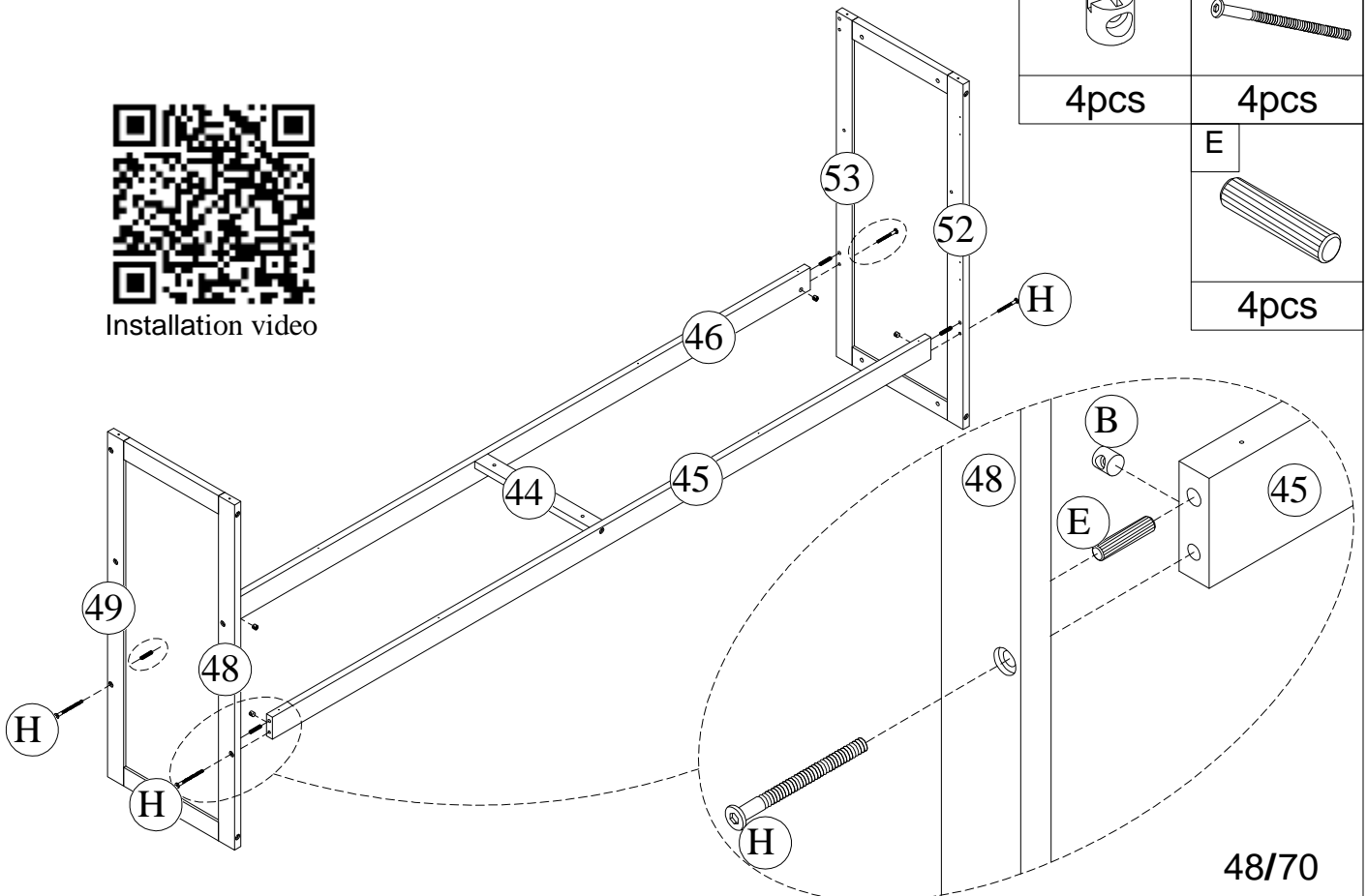
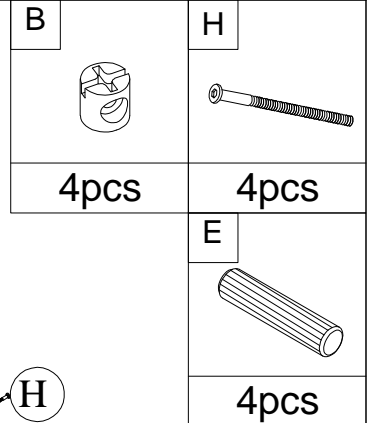
Installation video



STEP-ÉTAPE 48 :



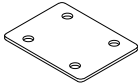
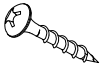
Installation video

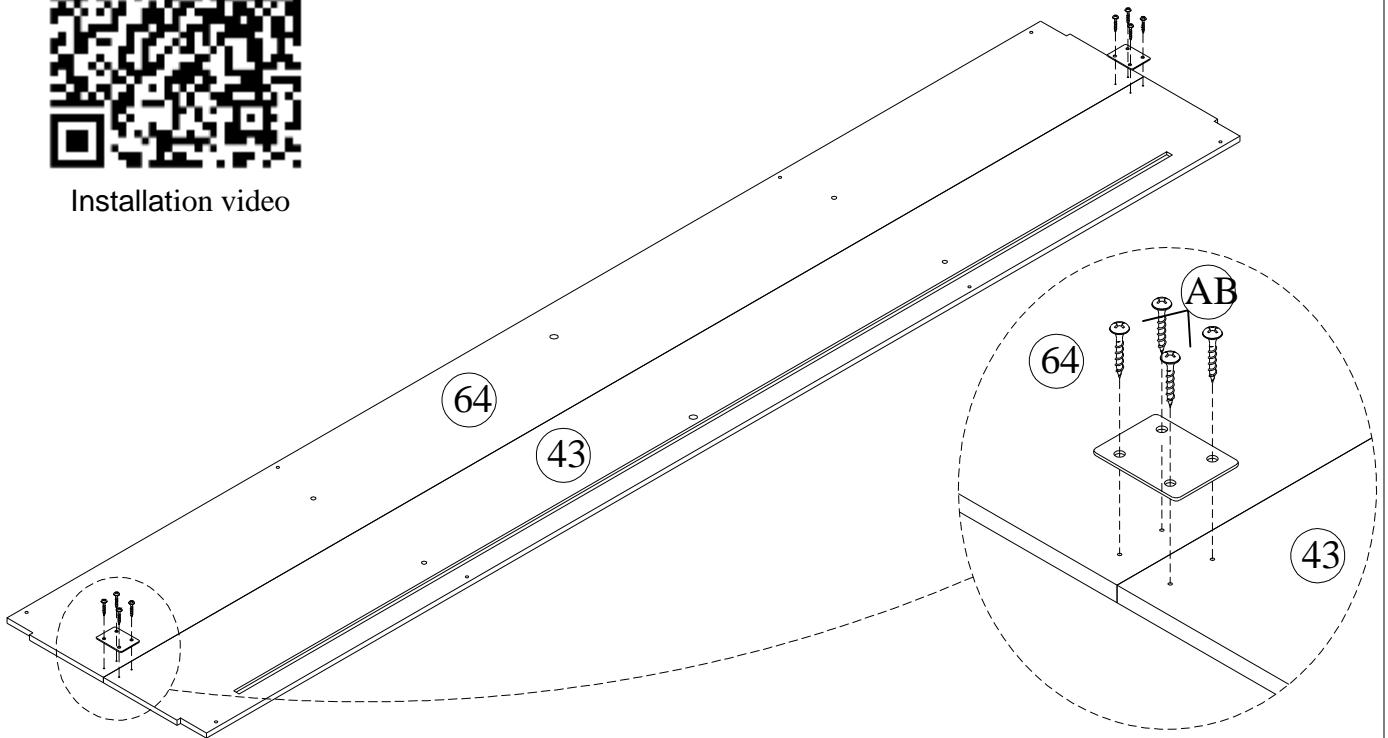


STEP-ÉTAPE 49:



Installation video



X	AB
	
2pcs	8pcs

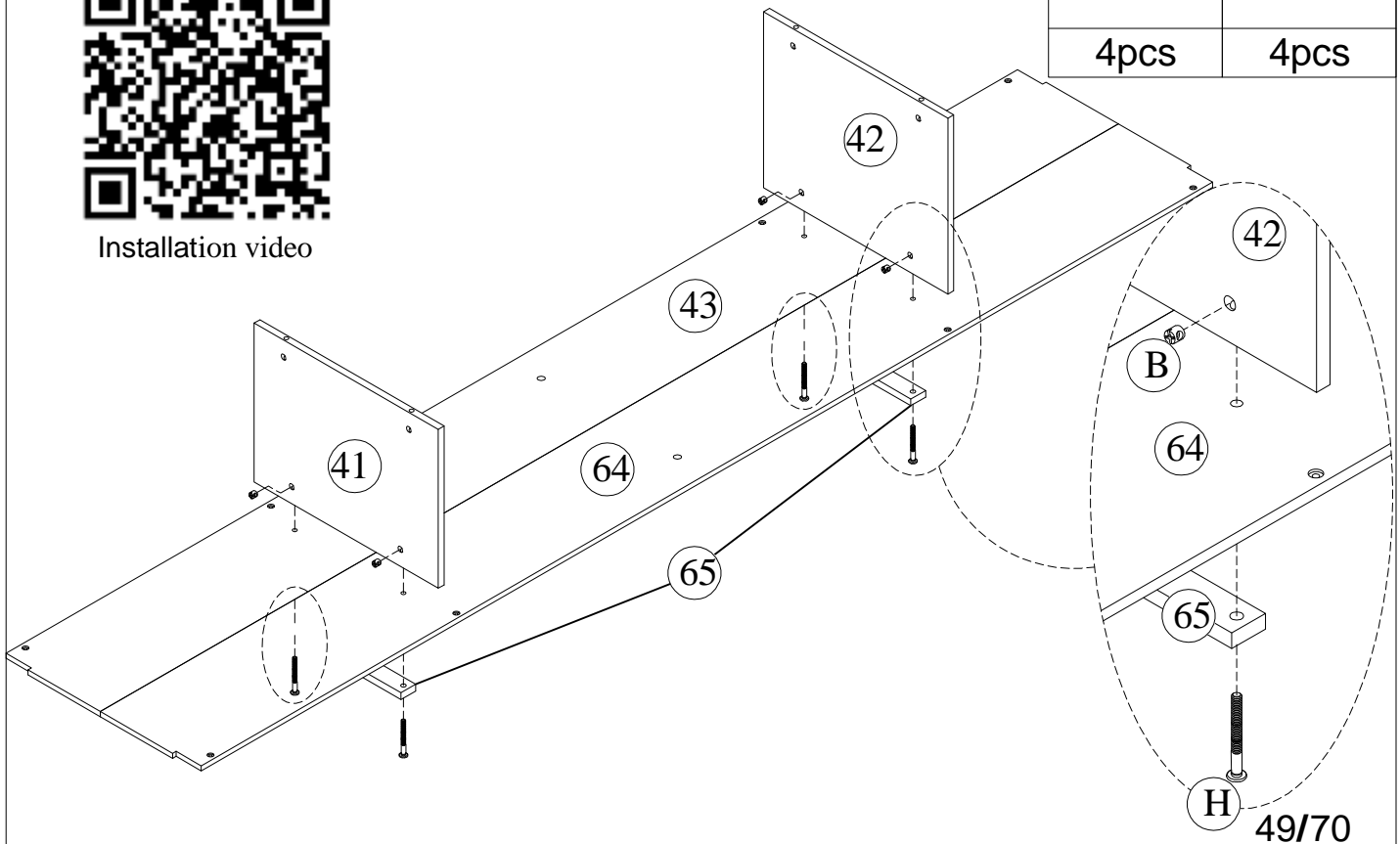


STEP-ÉTAPE 50 :



Installation video

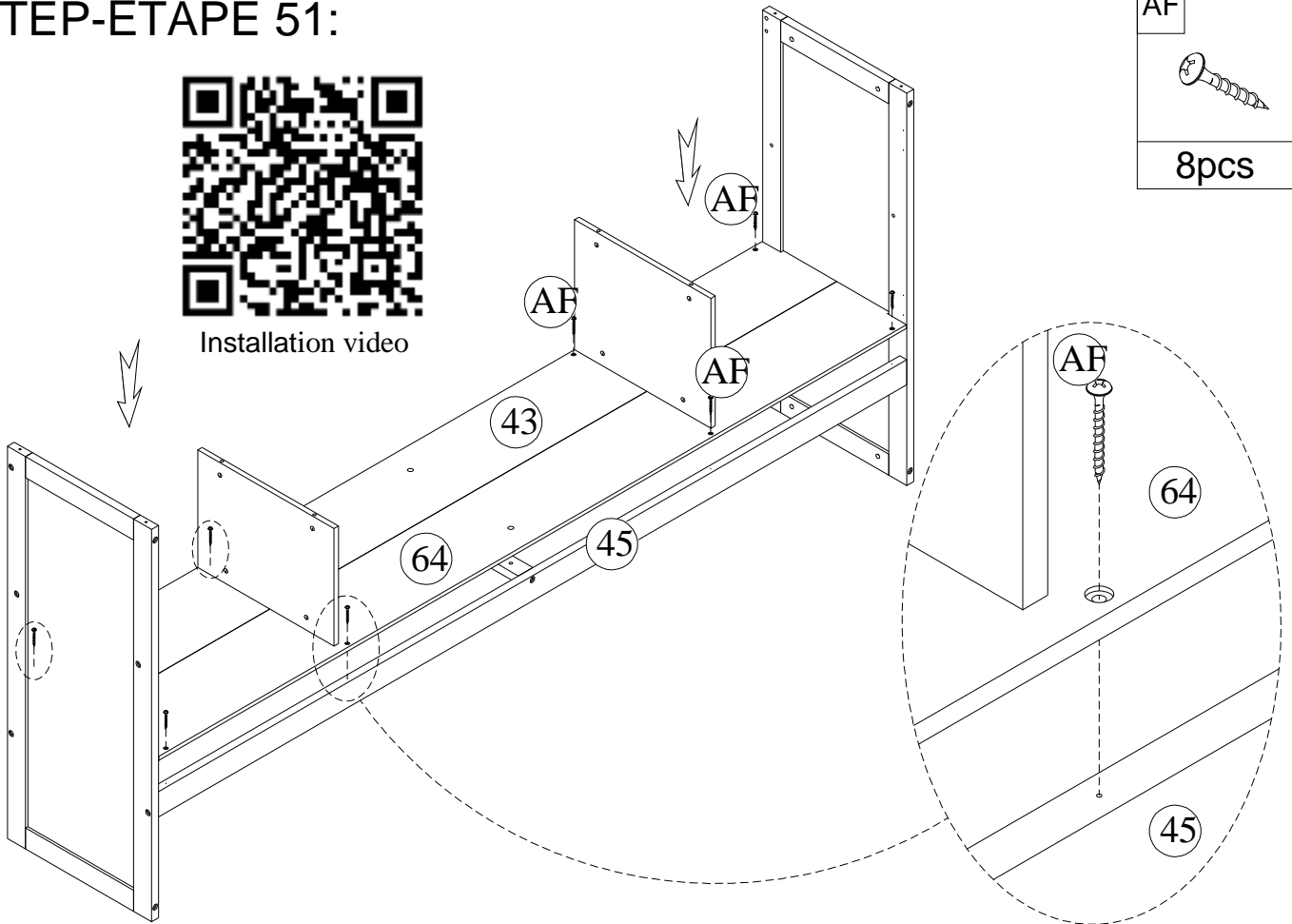
B	H
	
4pcs	4pcs



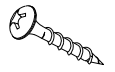
STEP-ÉTAPE 51:



Installation video

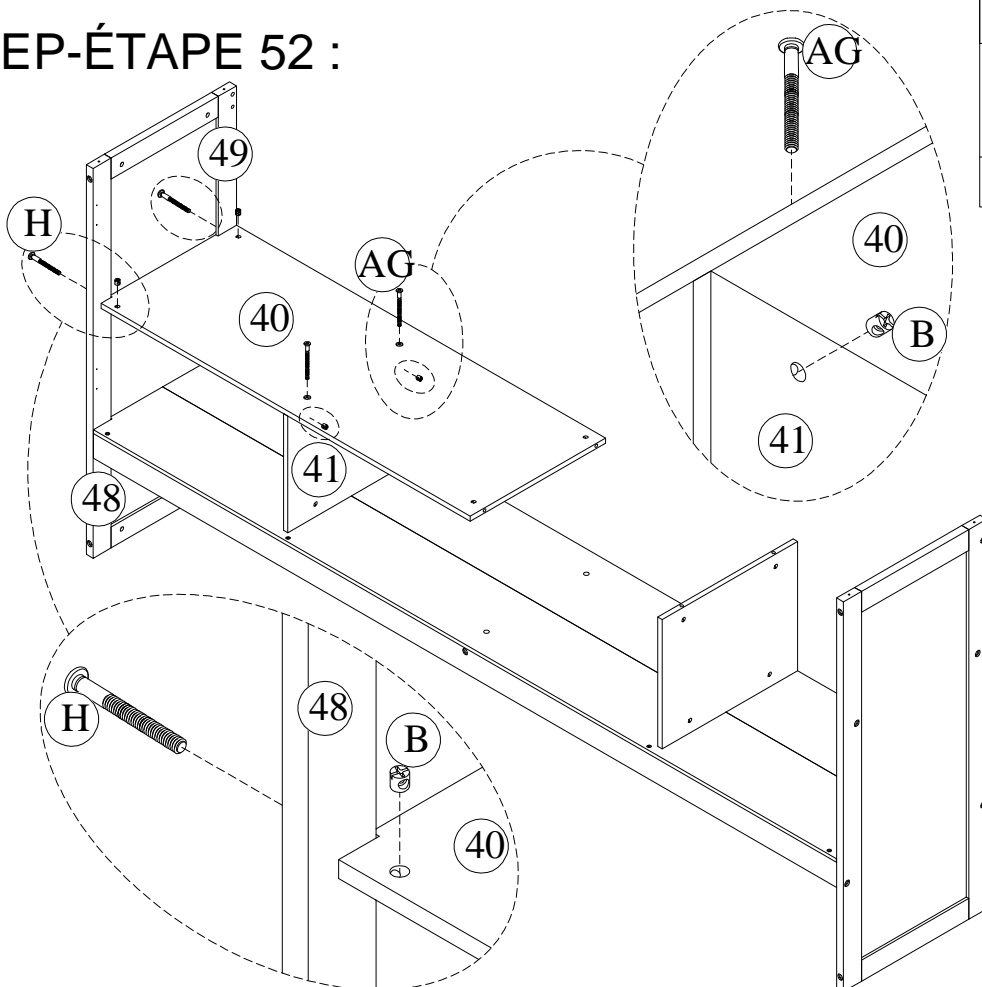


AF



8pcs

STEP-ÉTAPE 52 :



B



4pcs

H



2pcs

AG

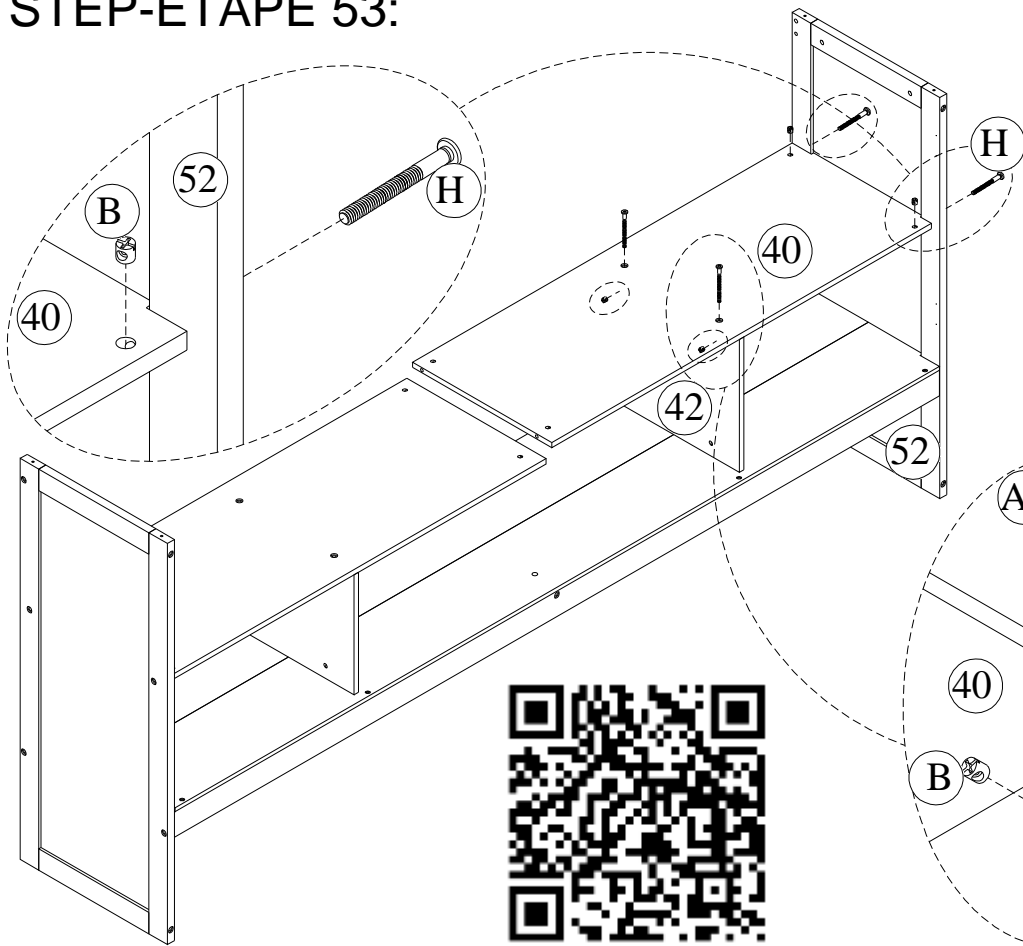


2pcs






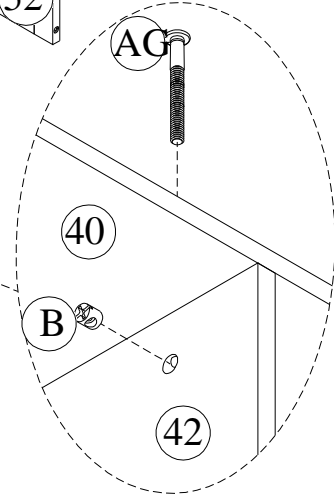
Installation video

STEP-ÉTAPE 53:



Installation video

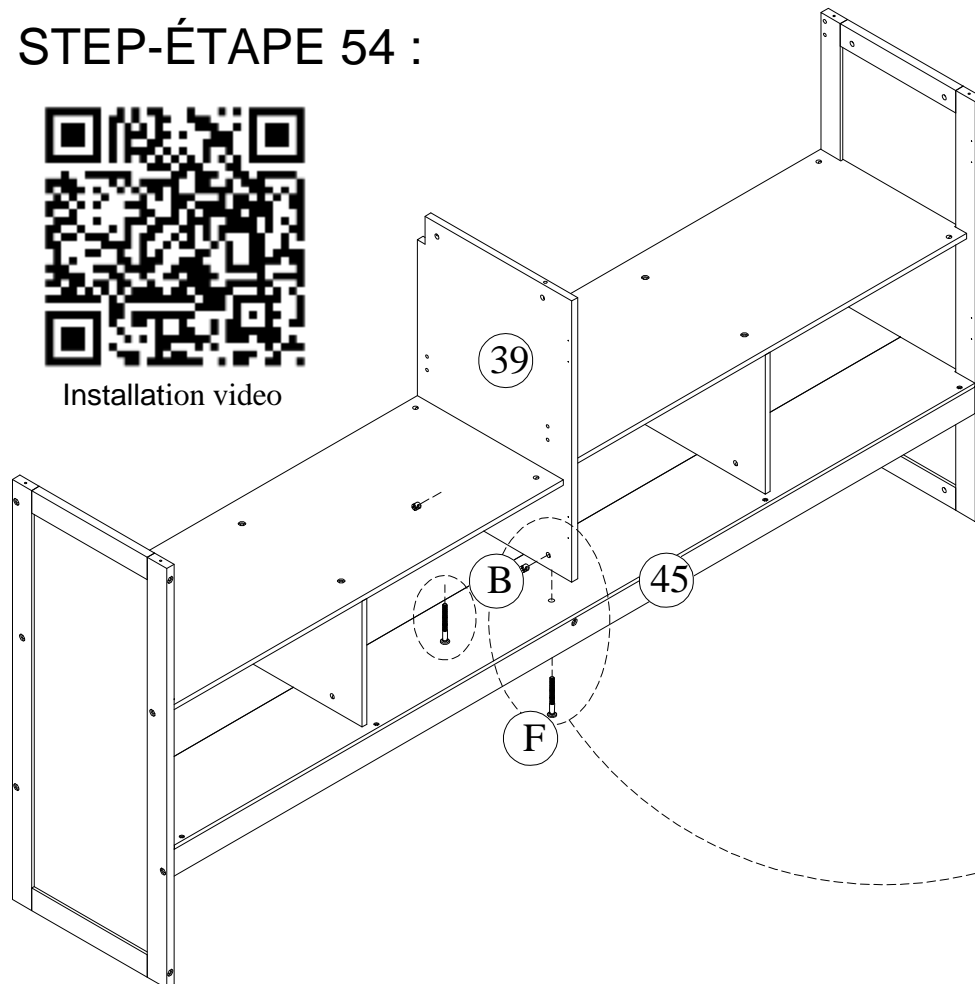
B	H
	
4pcs	2pcs
	AG
	
	2pcs





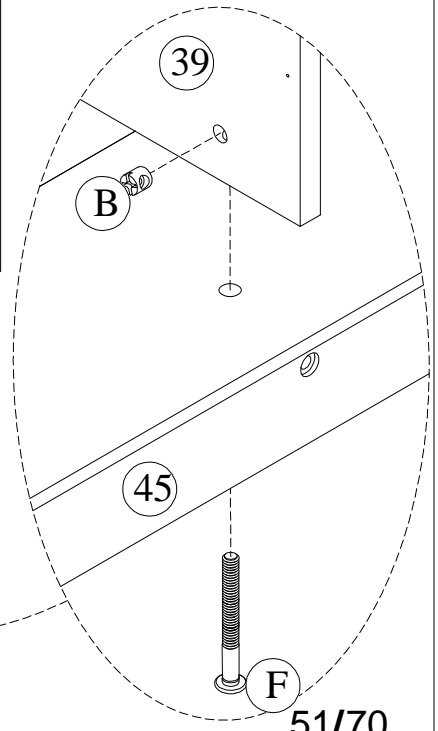
STEP-ÉTAPE 54 :



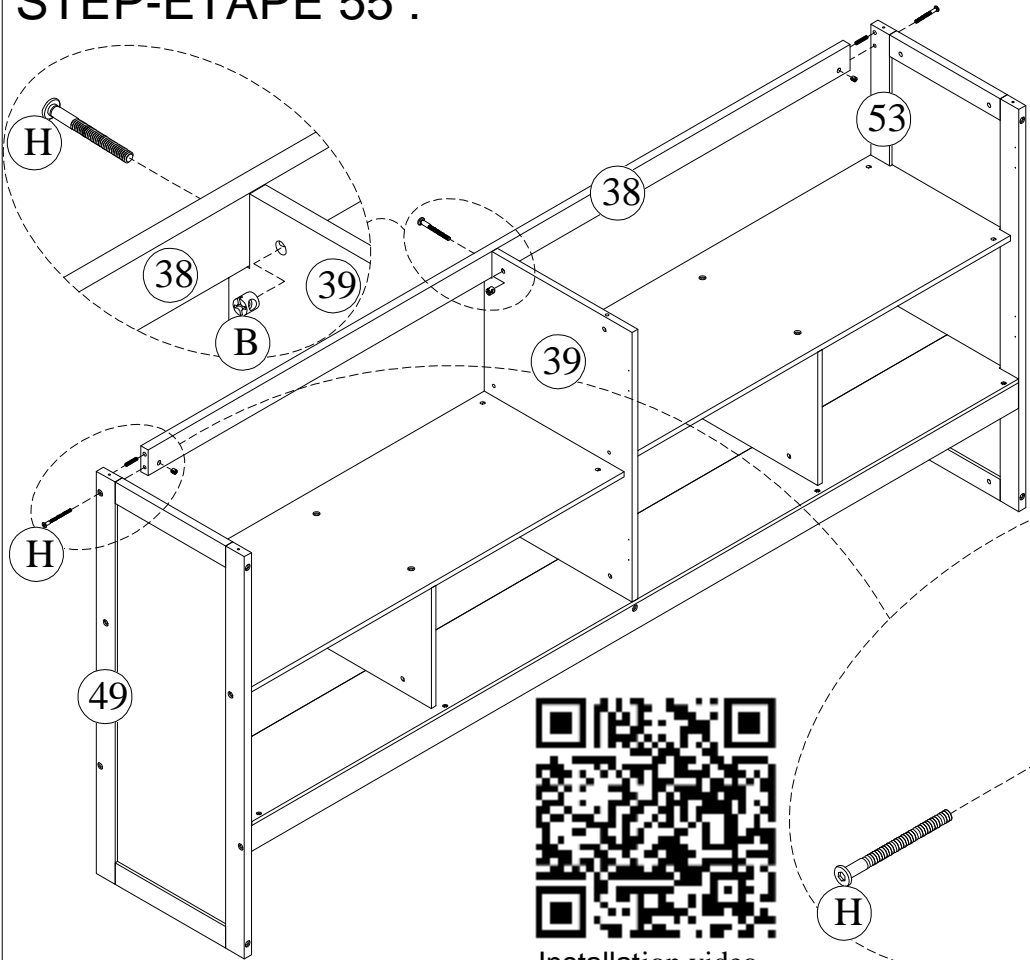
Installation video





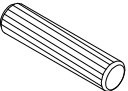
B	F
	
2pcs	2pcs

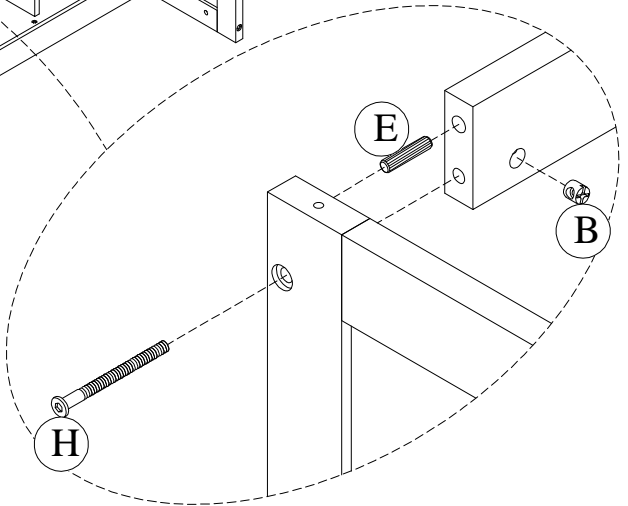


STEP-ÉTAPE 55 :

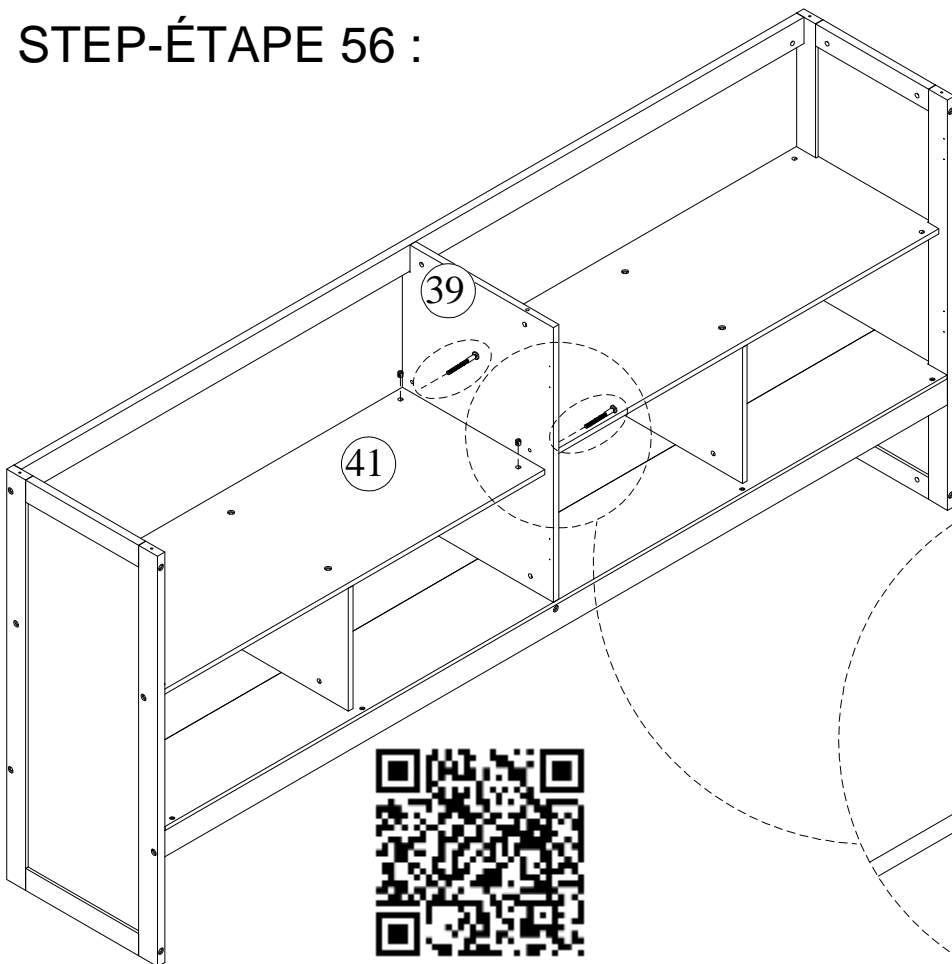


Installation video



B		H	
	3pcs		3pcs
		E	
			2pcs

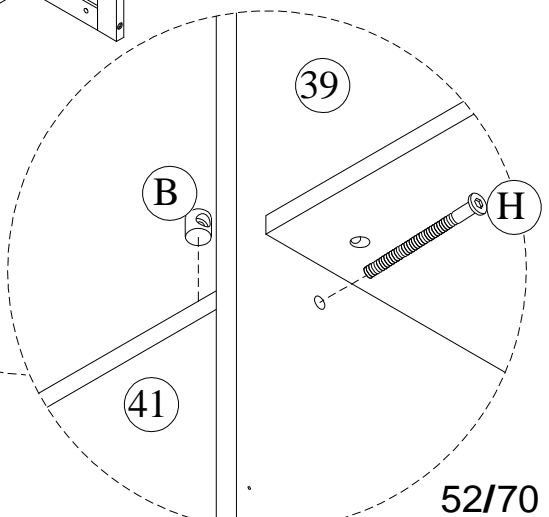


STEP-ÉTAPE 56 :



Installation video

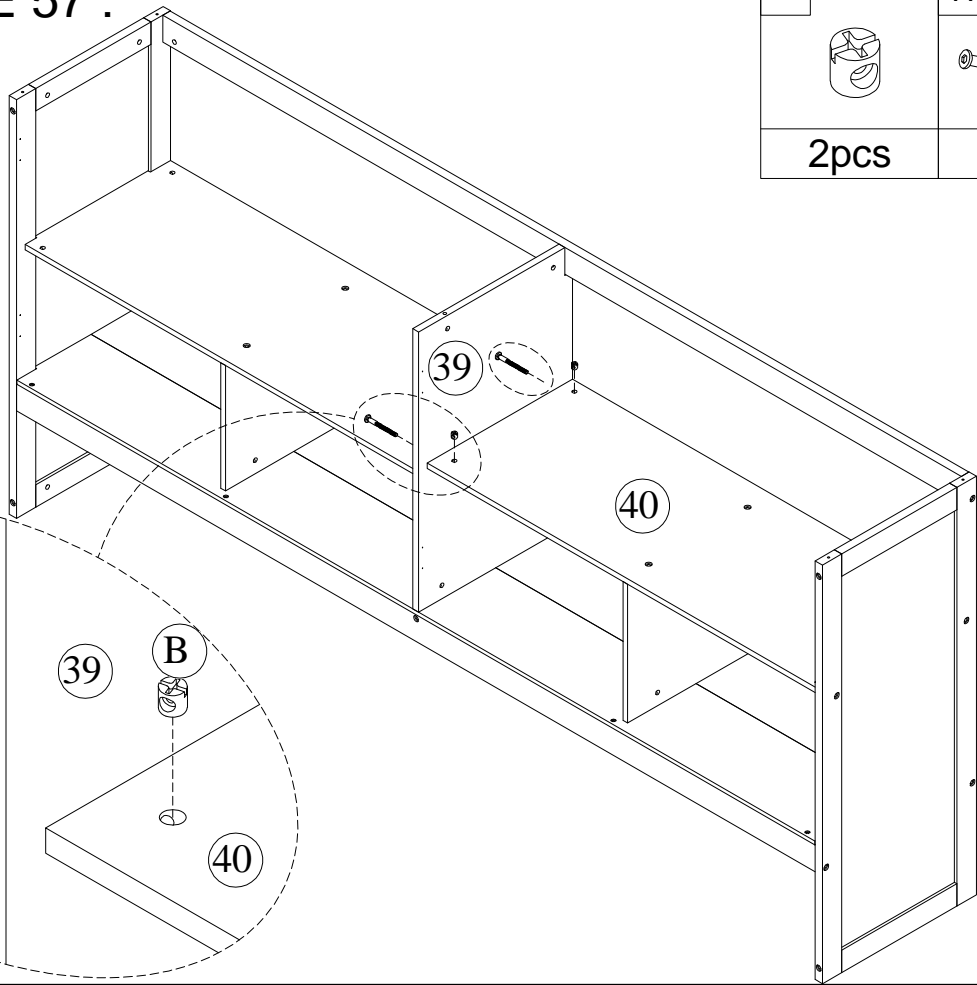
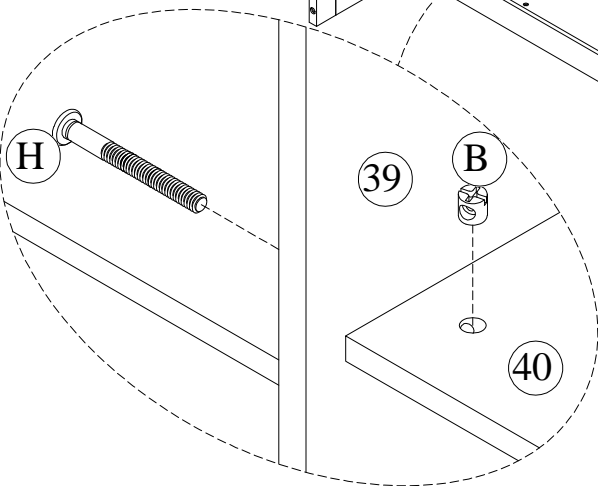
B		H	
	2pcs		2pcs



STEP-ÉTAPE 57 :



Installation video

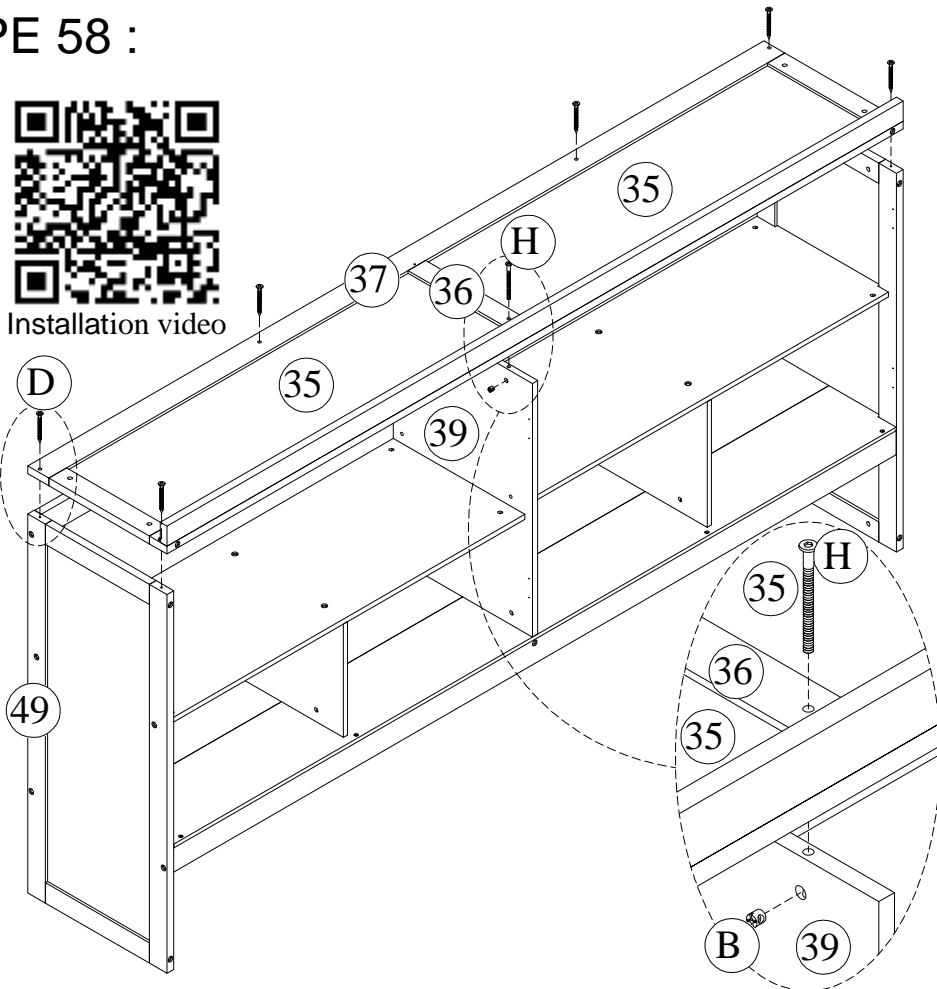
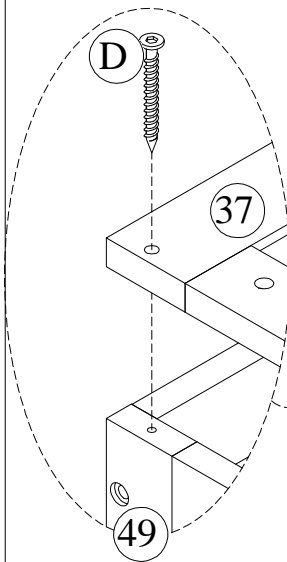


B		H	
	2pcs		2pcs

STEP-ÉTAPE 58 :



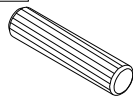
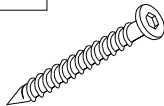
Installation video



B		1pc
H		1pc
D		6pcs

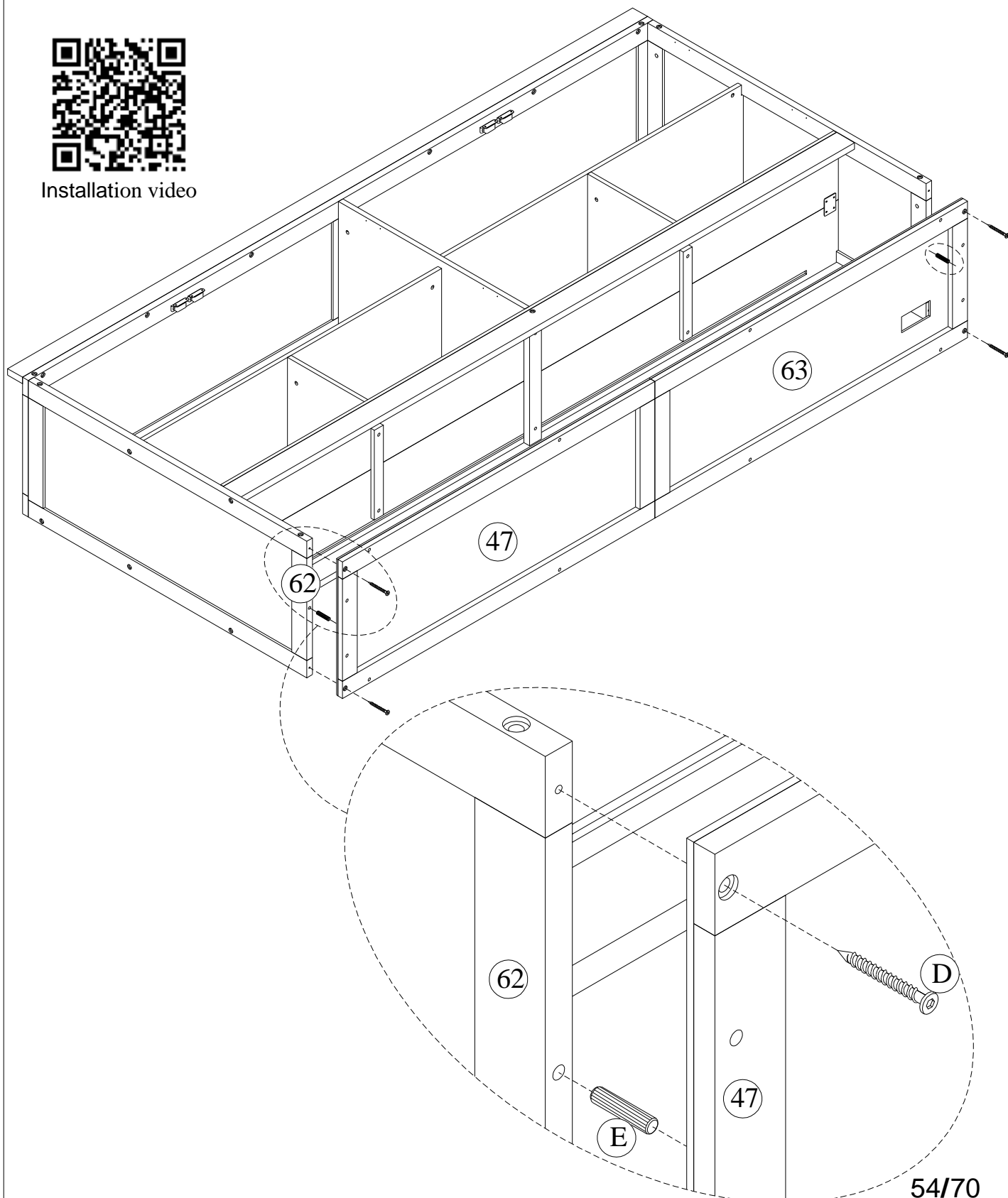
Installation video

STEP-ÉTAPE 59 :

E	D
	
2pcs	4pcs

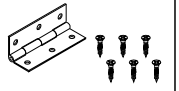


Installation video



STEP-ÉTAPE 60 :

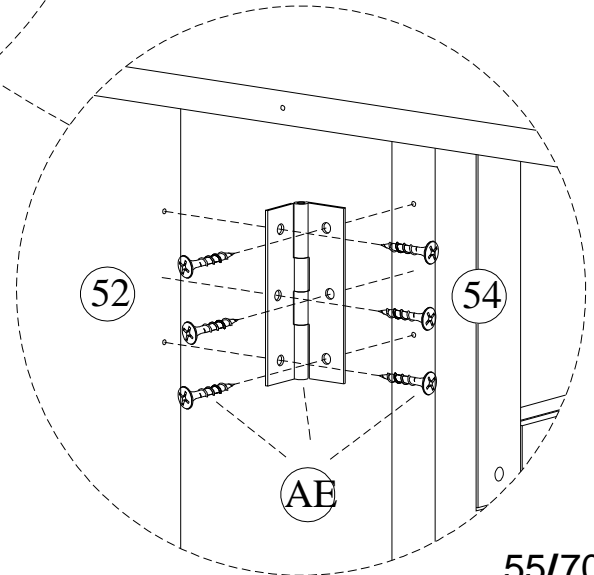
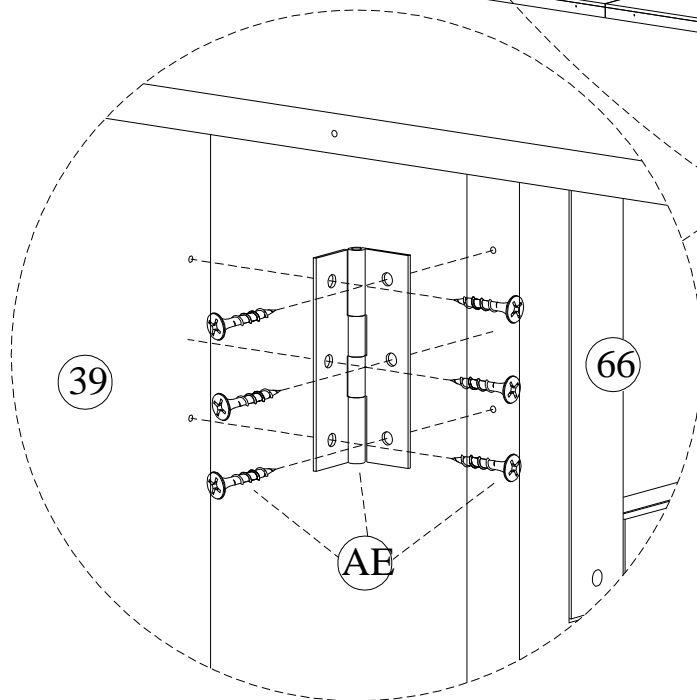
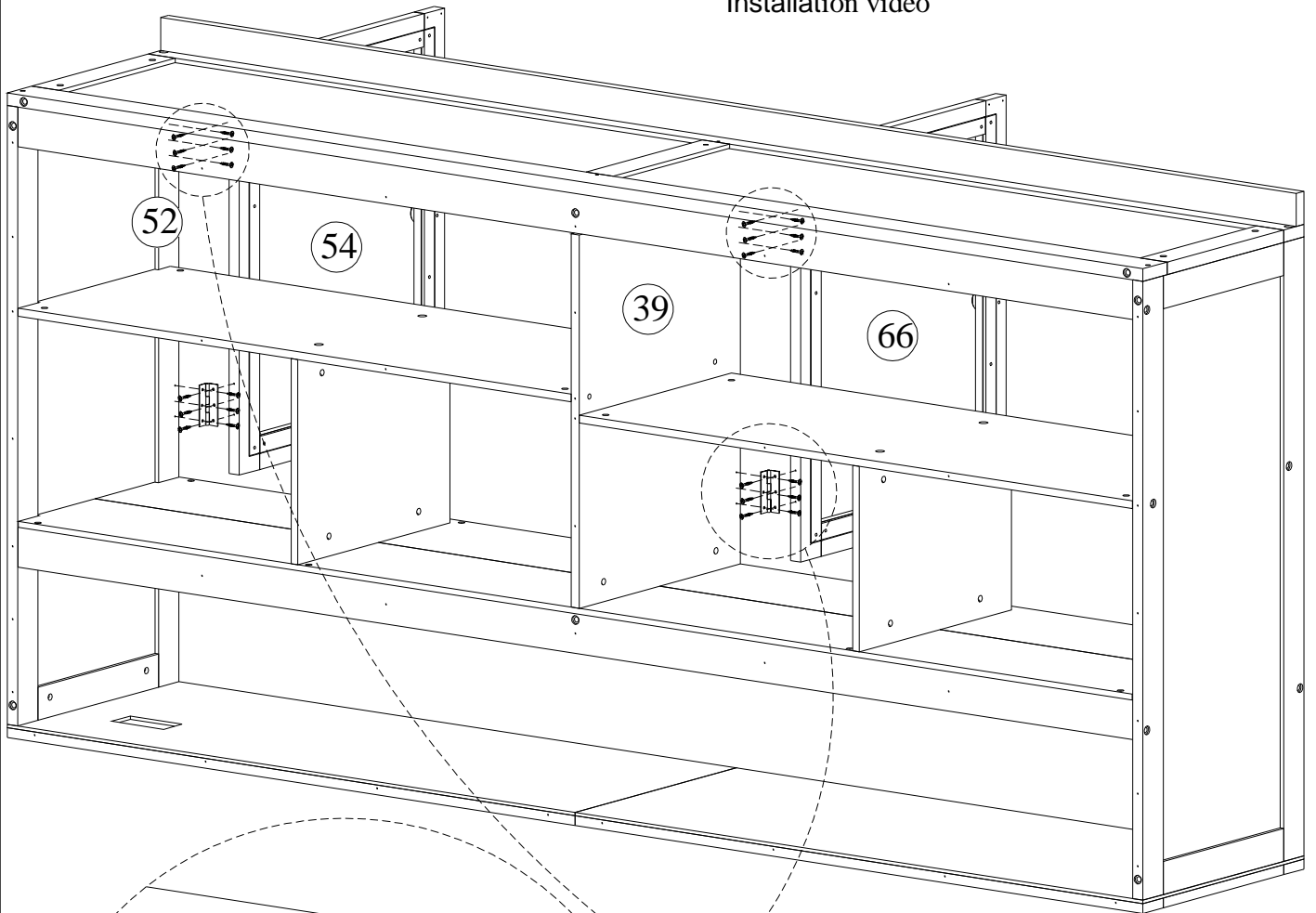
AE



4set



Installation video

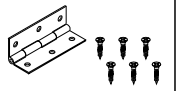


STEP-ÉTAPE 61 :

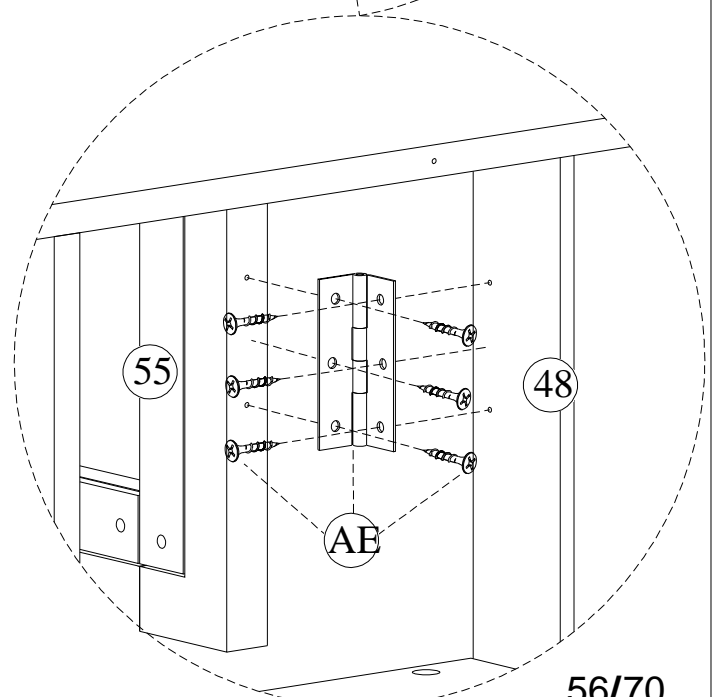
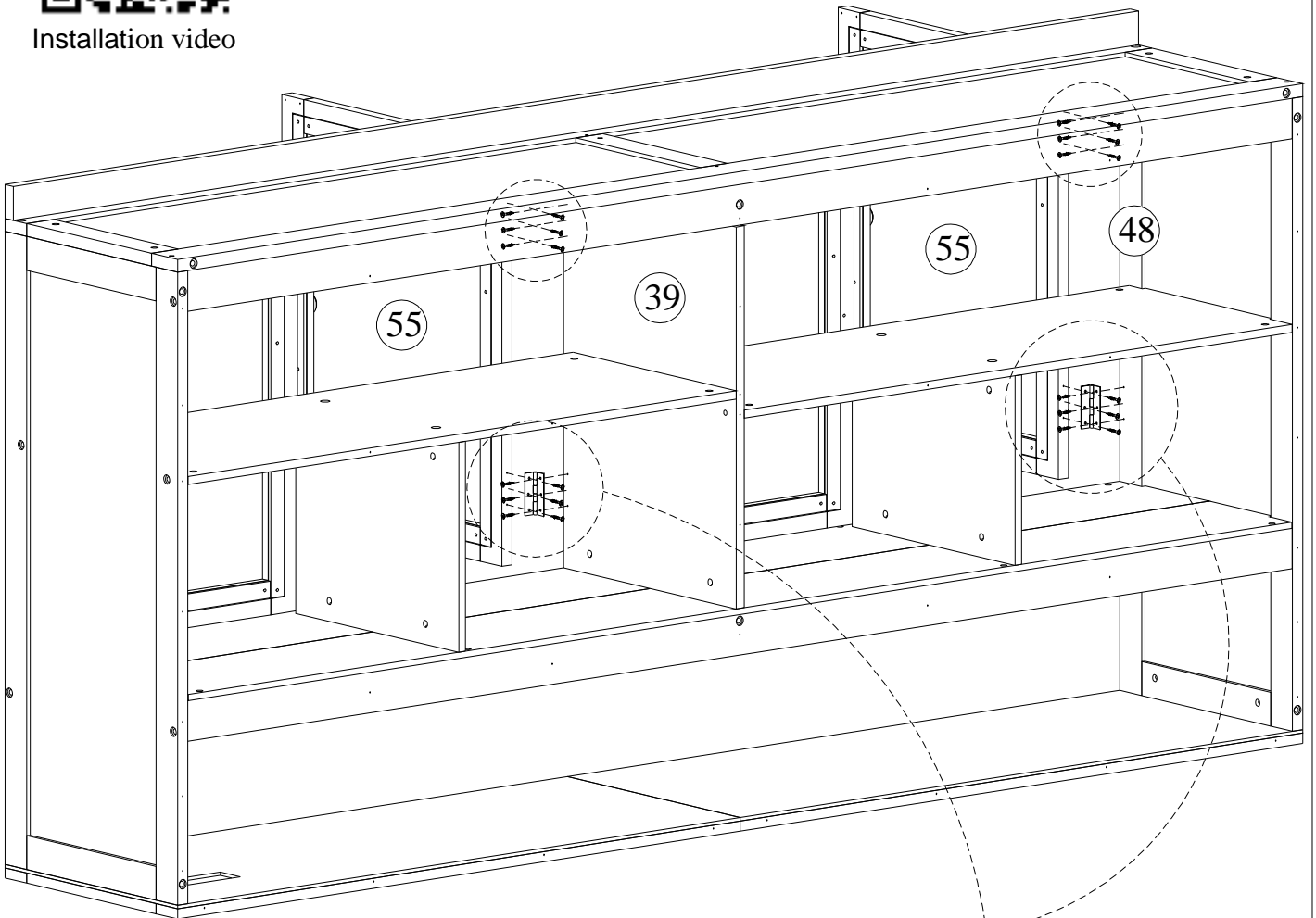


Installation video

AE

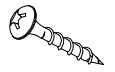


4set



STEP-ÉTAPE 62 :

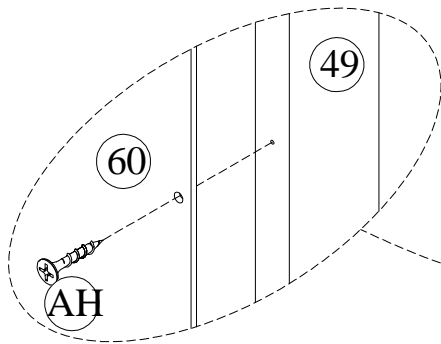
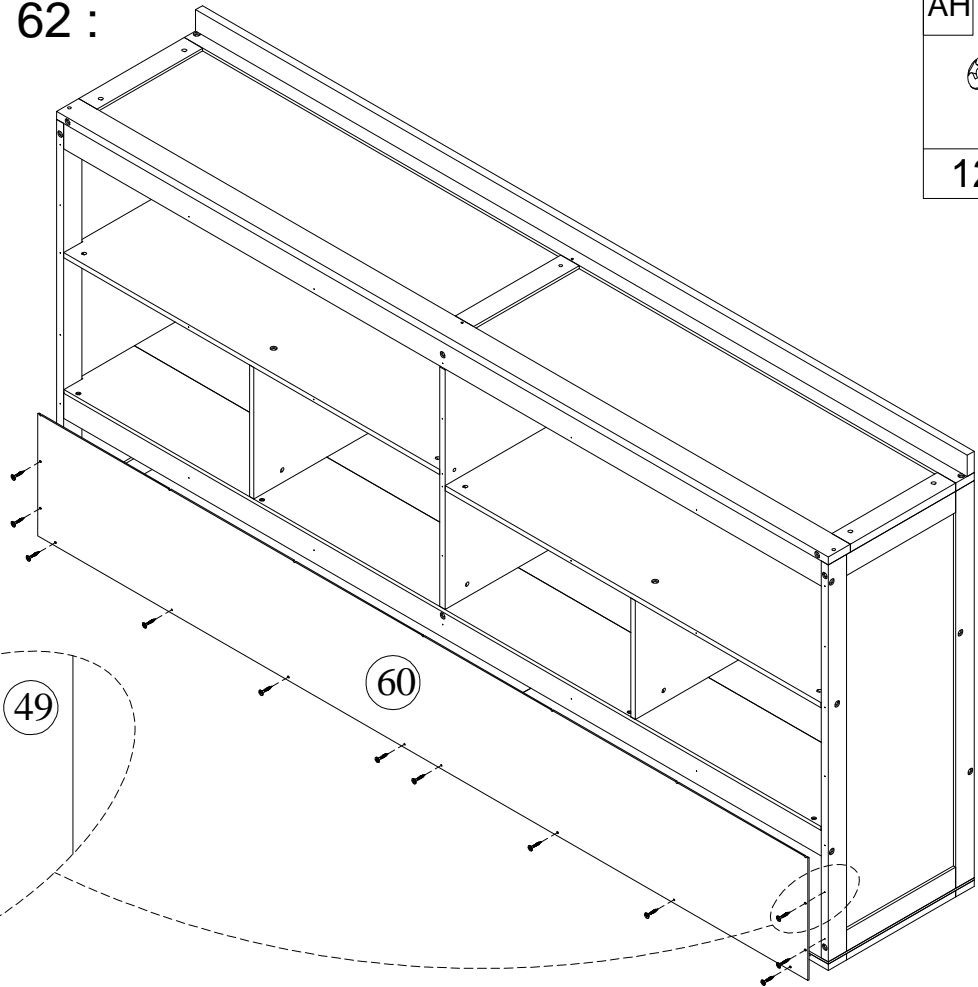
AH



12pcs



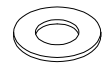
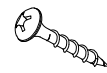
Installation video



STEP-ÉTAPE 63 :

AH

AI

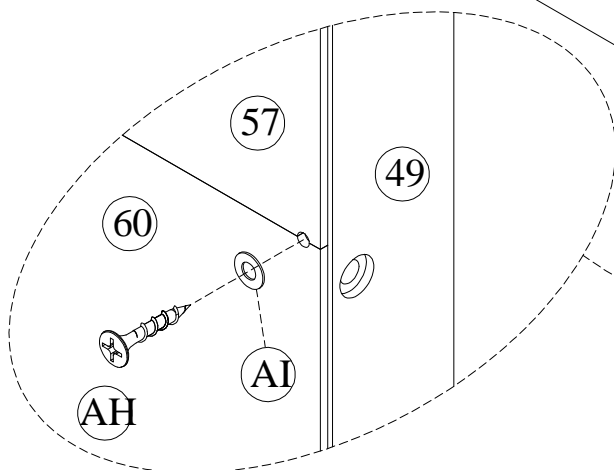
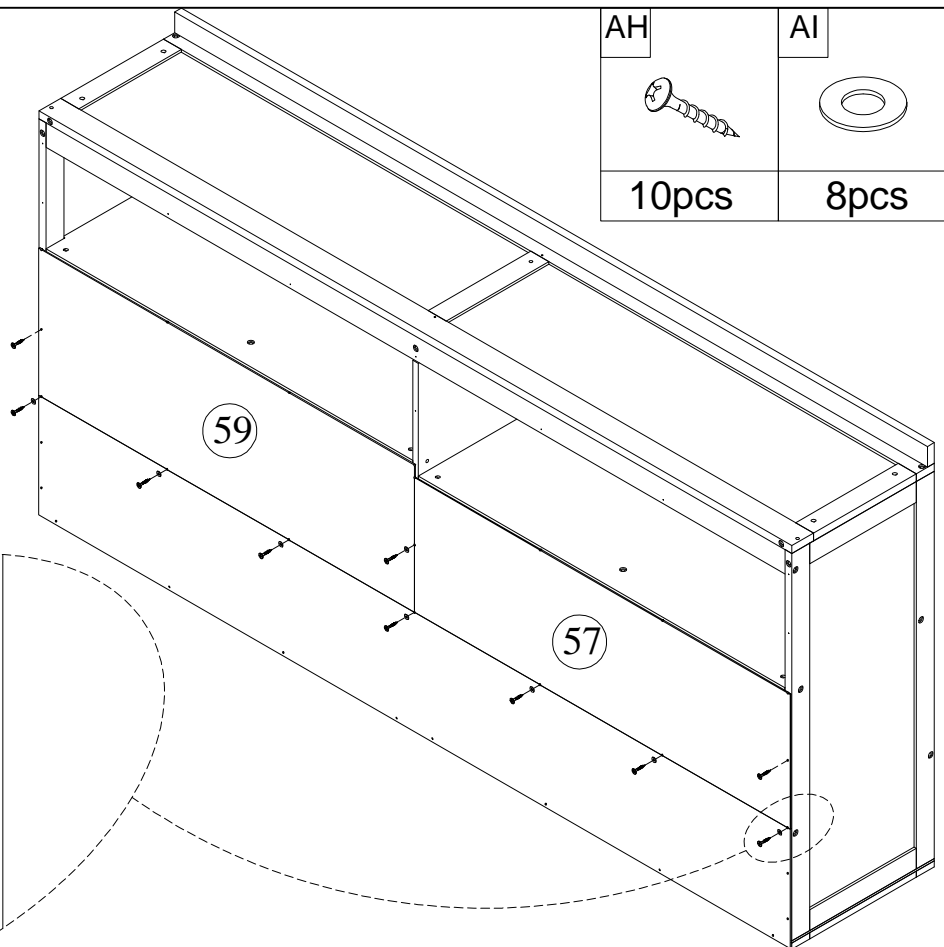


10pcs

8pcs



Installation video



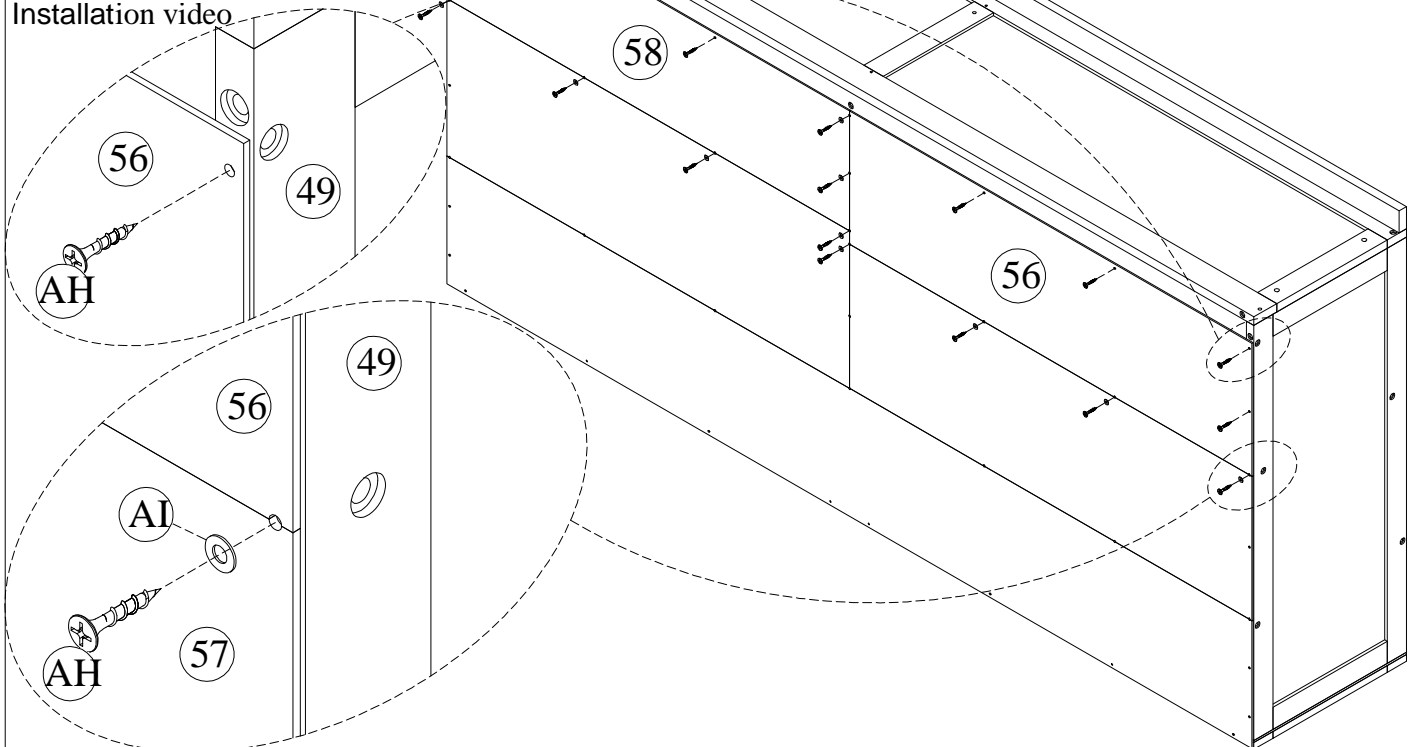
57/70

STEP-ÉTAPE 64 :

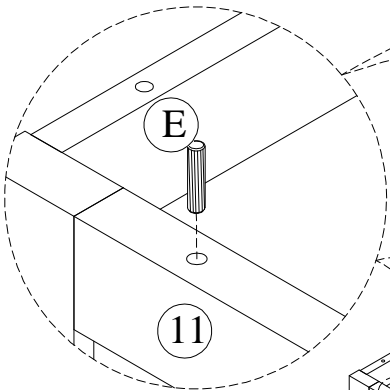


Installation video

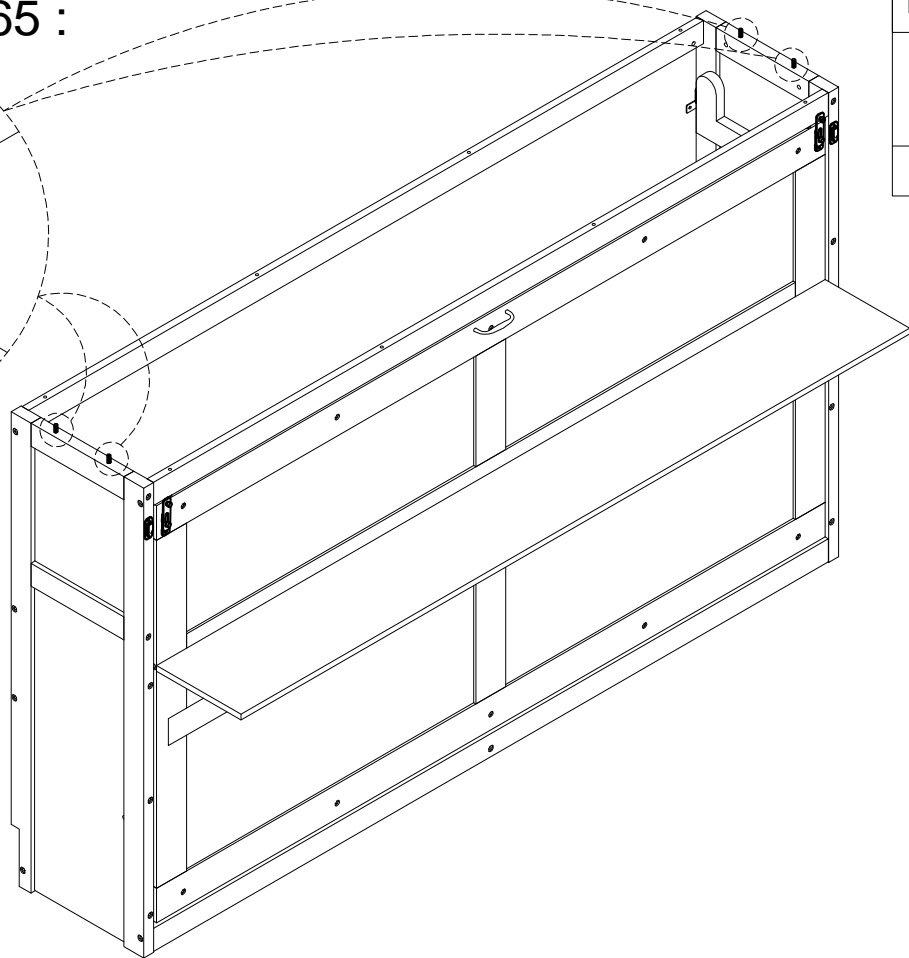
AH	AI
18pcs	8pcs



STEP-ÉTAPE 65 :

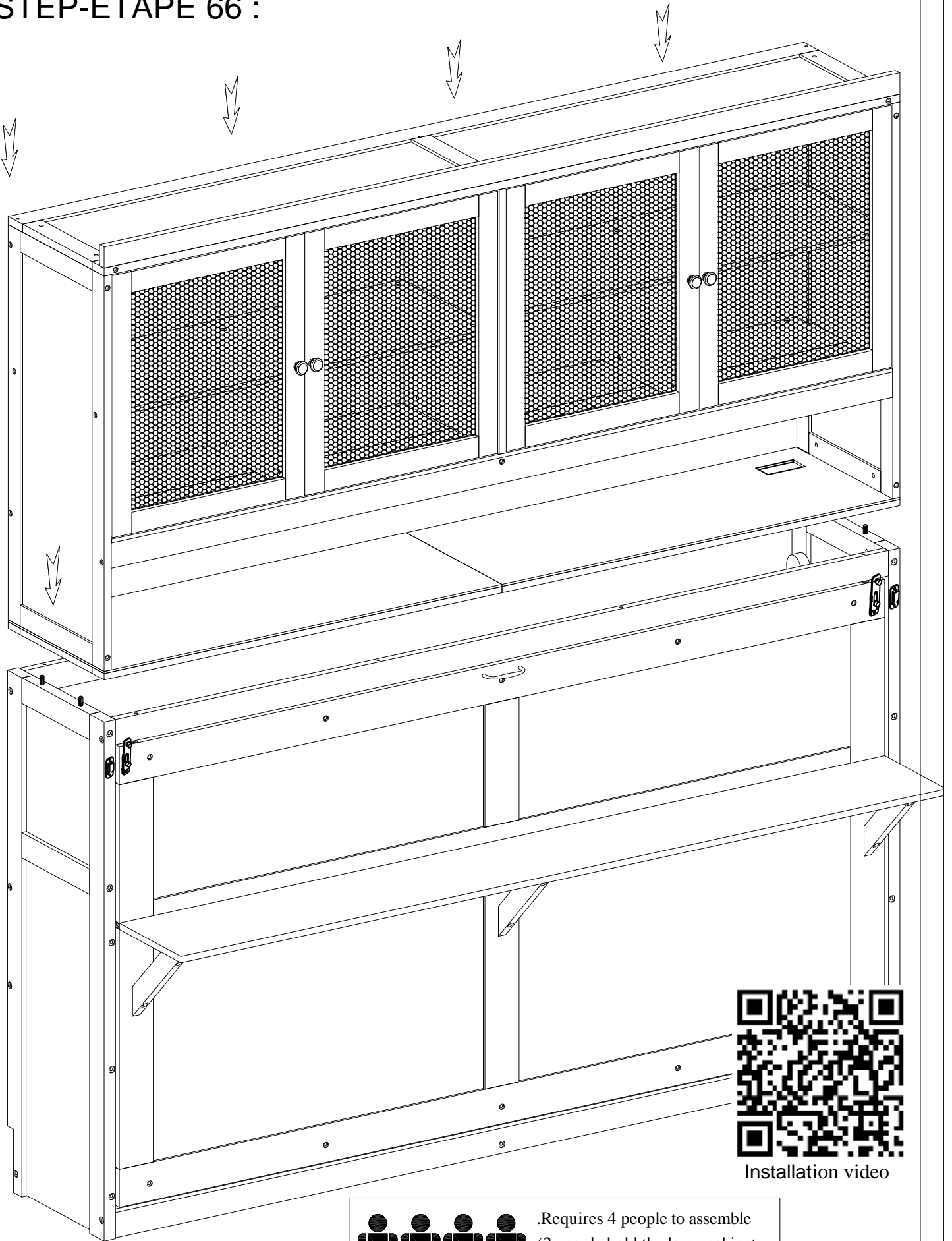


E
4pcs

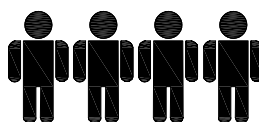


Installation video

STEP-ÉTAPE 66 :



Installation video



.Requires 4 people to assemble
(2 people hold the large cabinet
in place and 2 people tilt the bed
until accessories are in place)

59/70

STEP-ÉTAPE 67 :

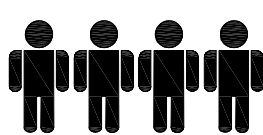
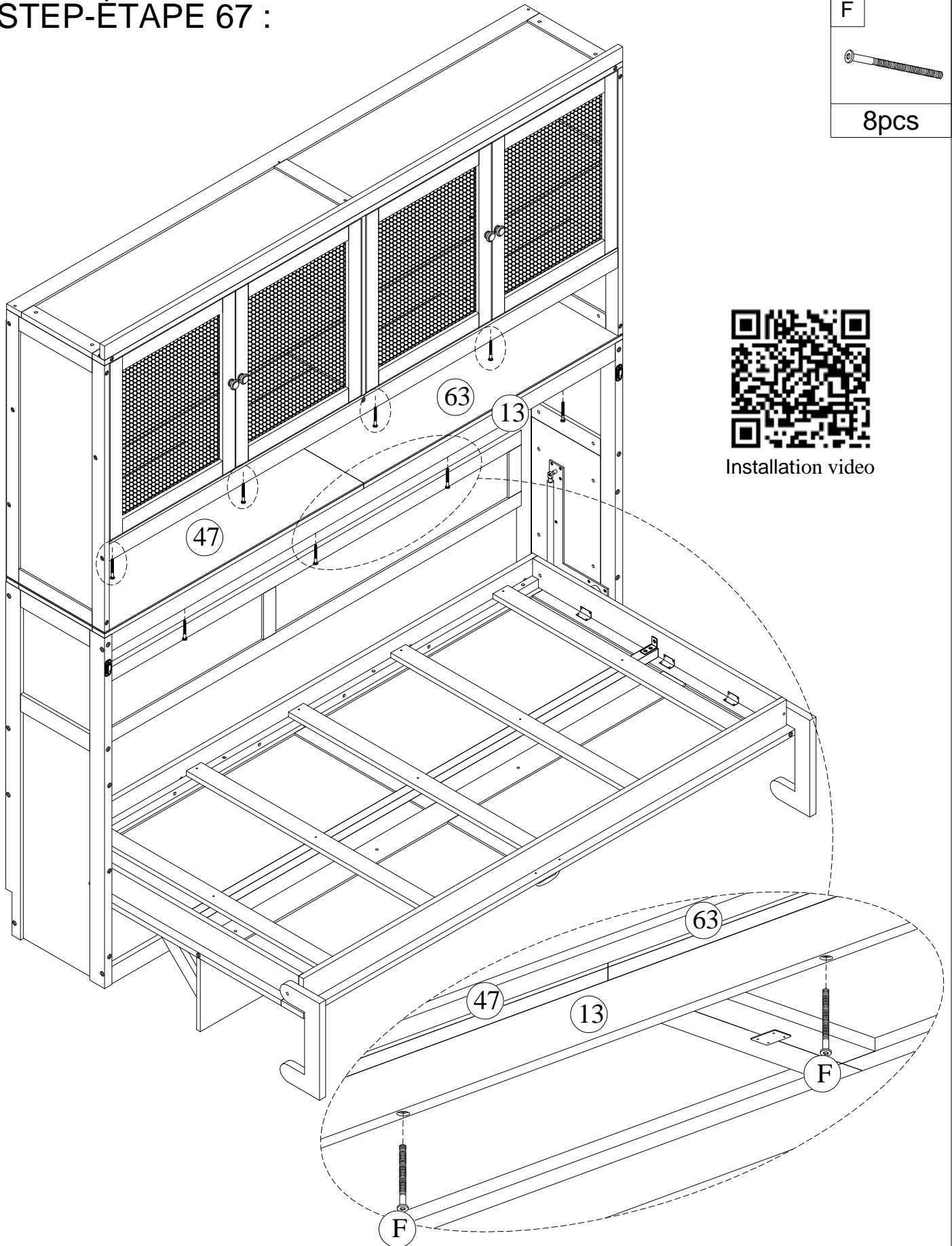
F



8pcs

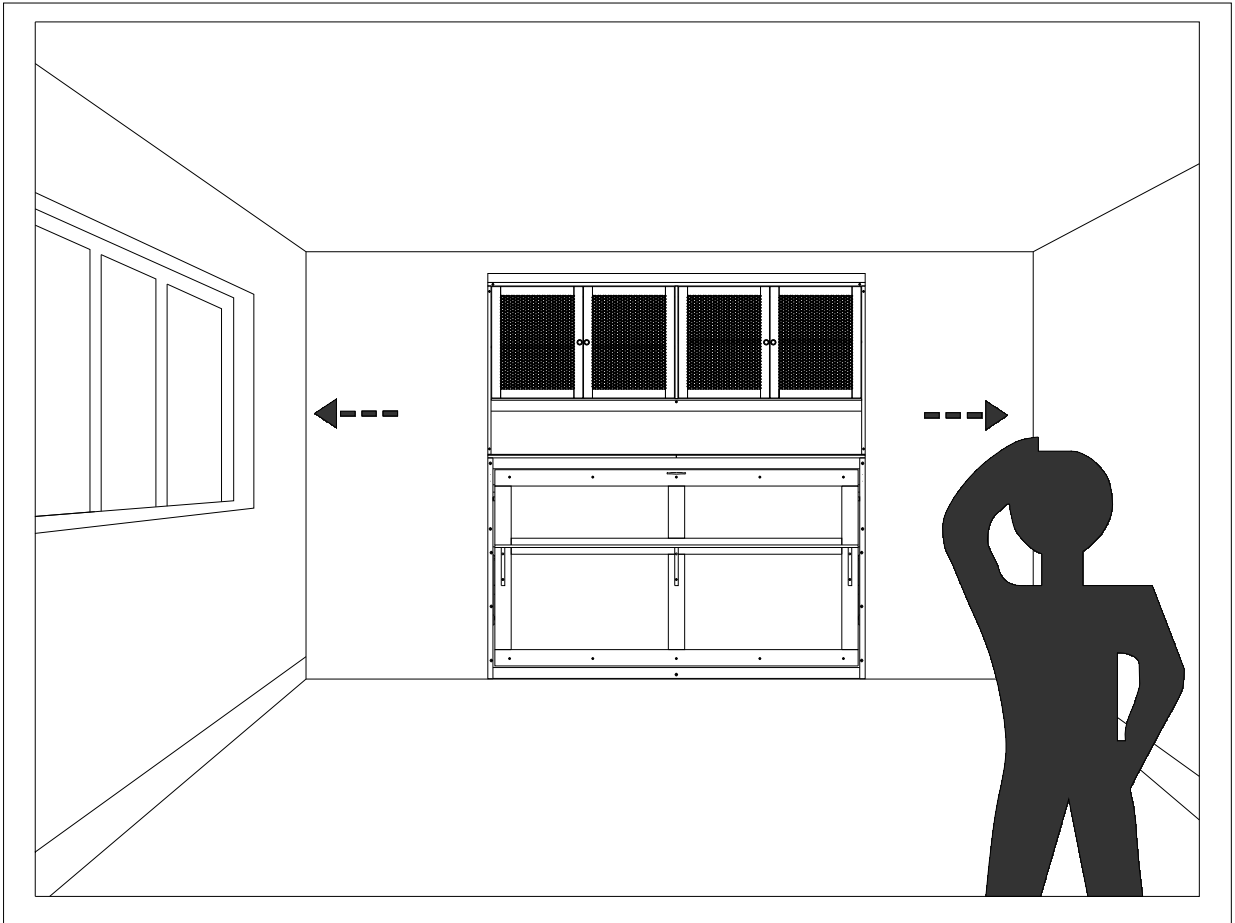


Installation video

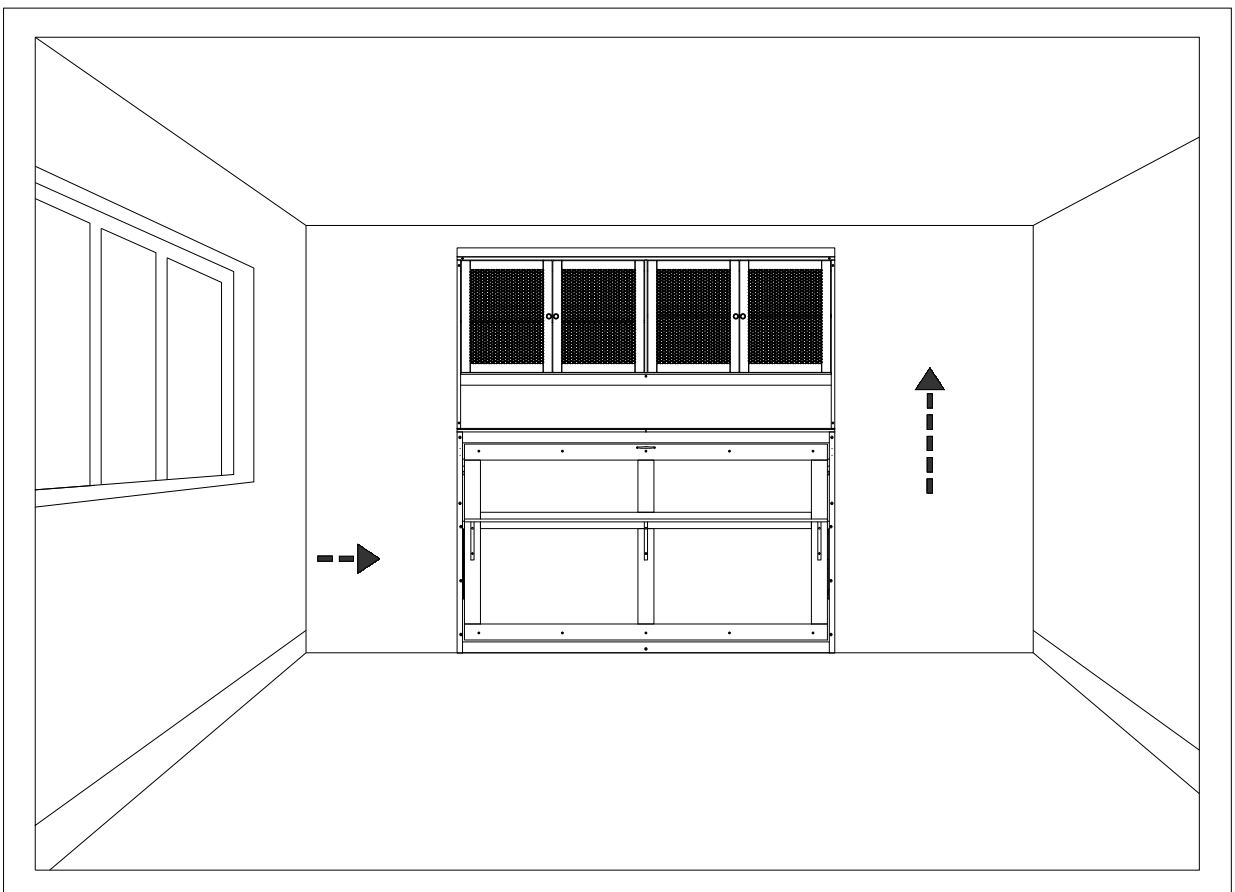


.Requires 4 people to assemble
(2 people hold the large cabinet
in place and 2 people tilt the bed
until accessories are in place)

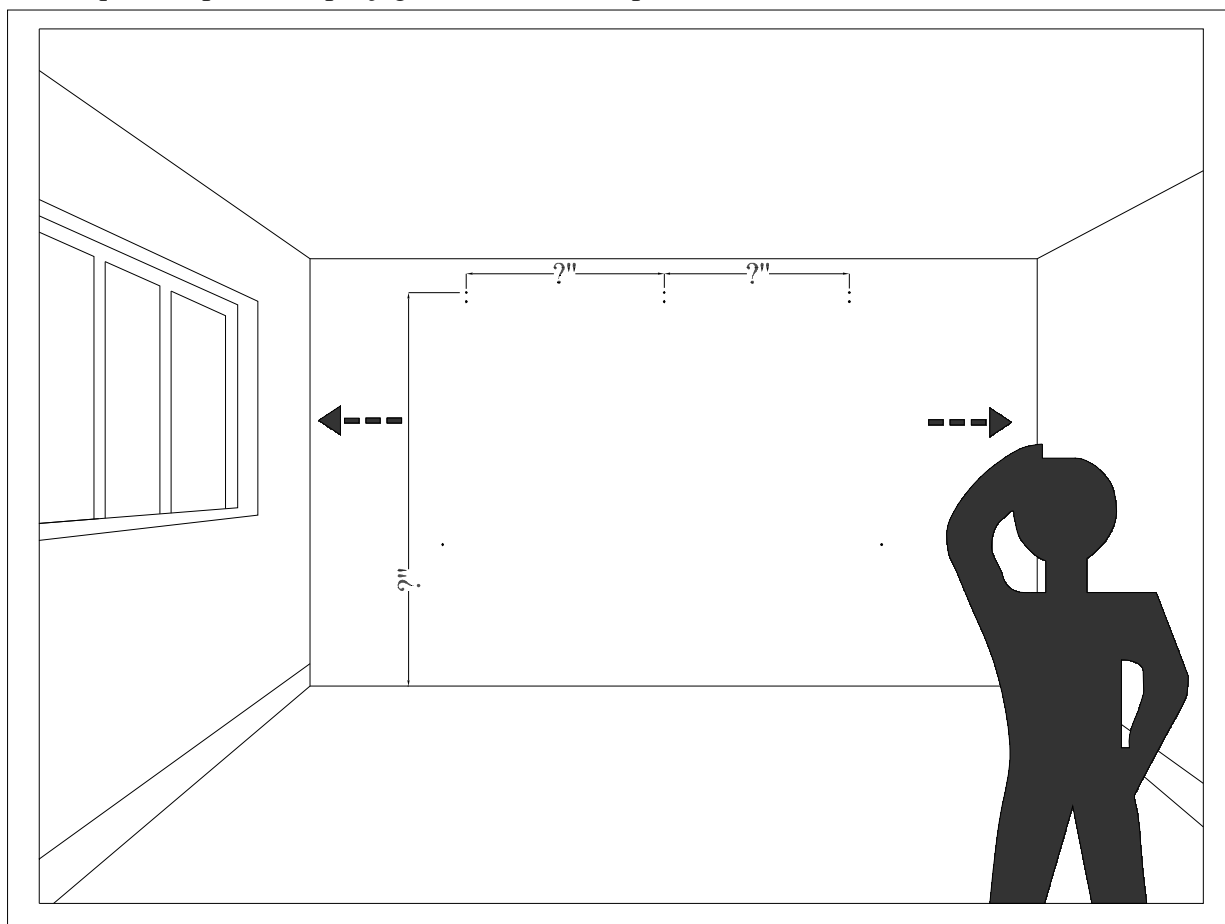
- 1- Determine the position of the bed in the room.
1- Déterminer l'emplacement du lit dans la pièce.



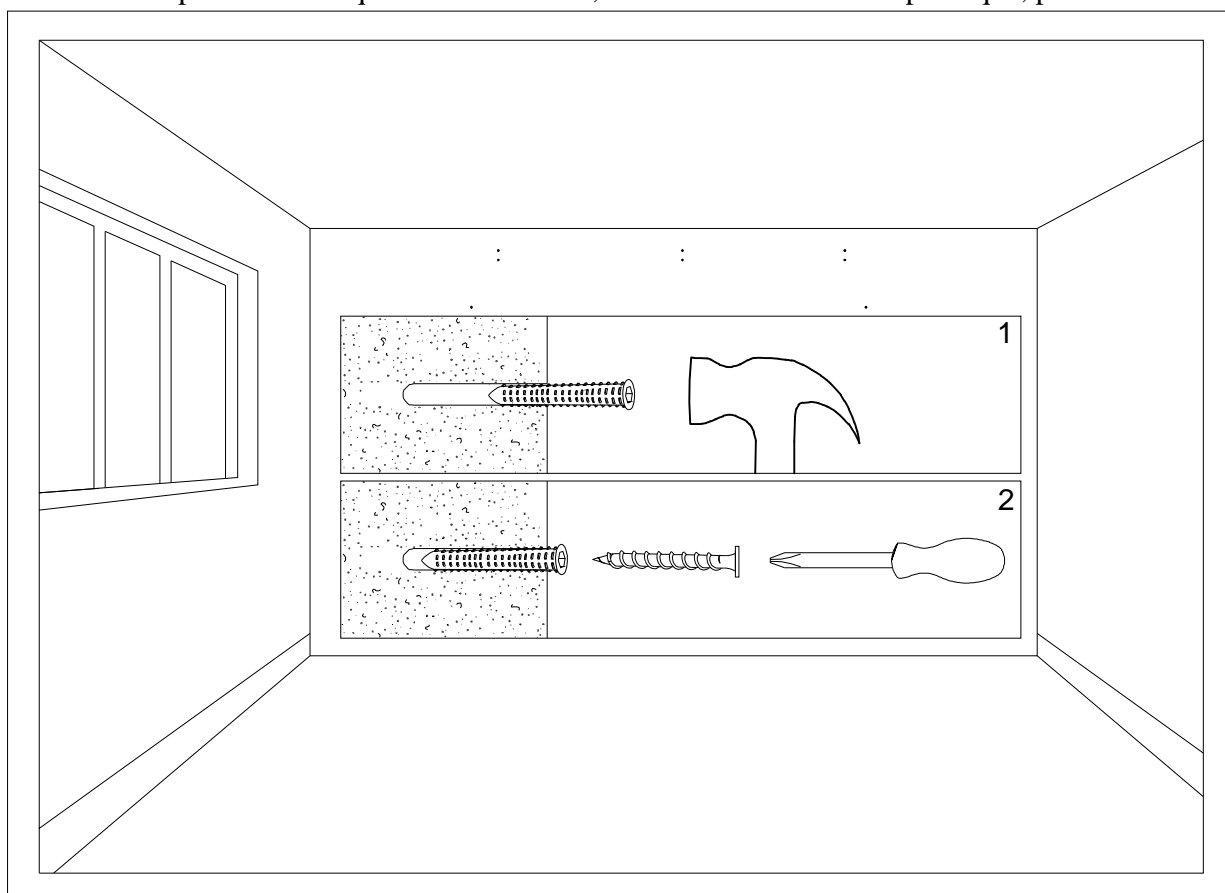
- 2- Put the bed back in its place. Please keep it vertical and horizontal.
2- Remettez le lit à sa place. Veuillez le garder bien vertical et horizontal.



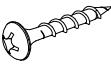

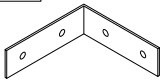
- 3- Mark the points drill holes according to actual products.
3- Marquez les points de perçage en fonction des produits réels.

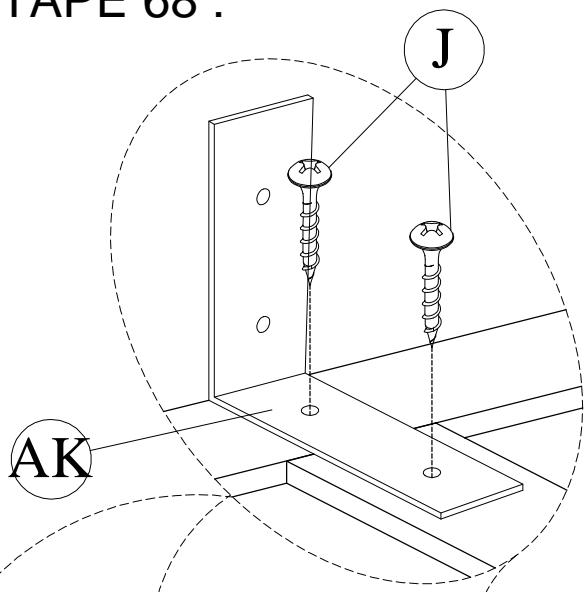



- 4- Drill the positions marked in STEP 3, insert the plastic wall plugs, and secure with screws.
4- Percez les positions marquées à l'ÉTAPE 3, insérez les chevilles en plastique, puis fixez avec les vis.

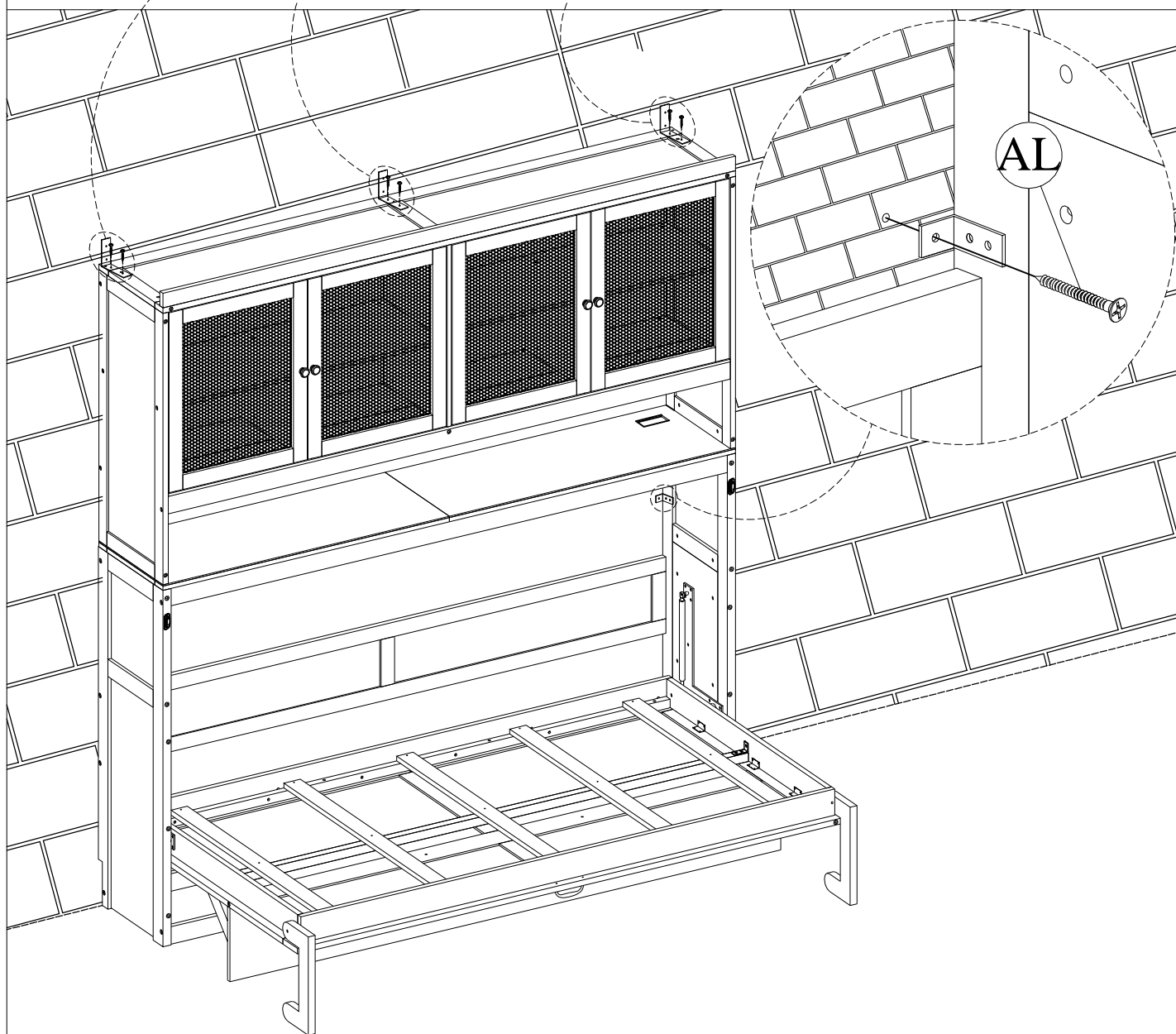


STEP-ÉTAPE 68 :

J	AL	AK
		
6pcs	1pc	3pcs



 Four people are required to assemble and move this model.



STEP-ÉTAPE 69 :

AL

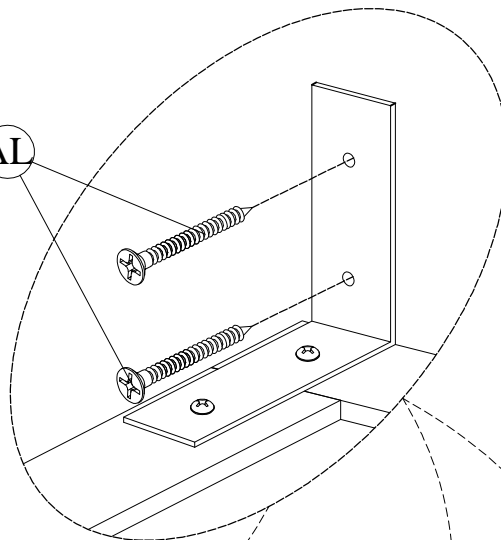


7pcs

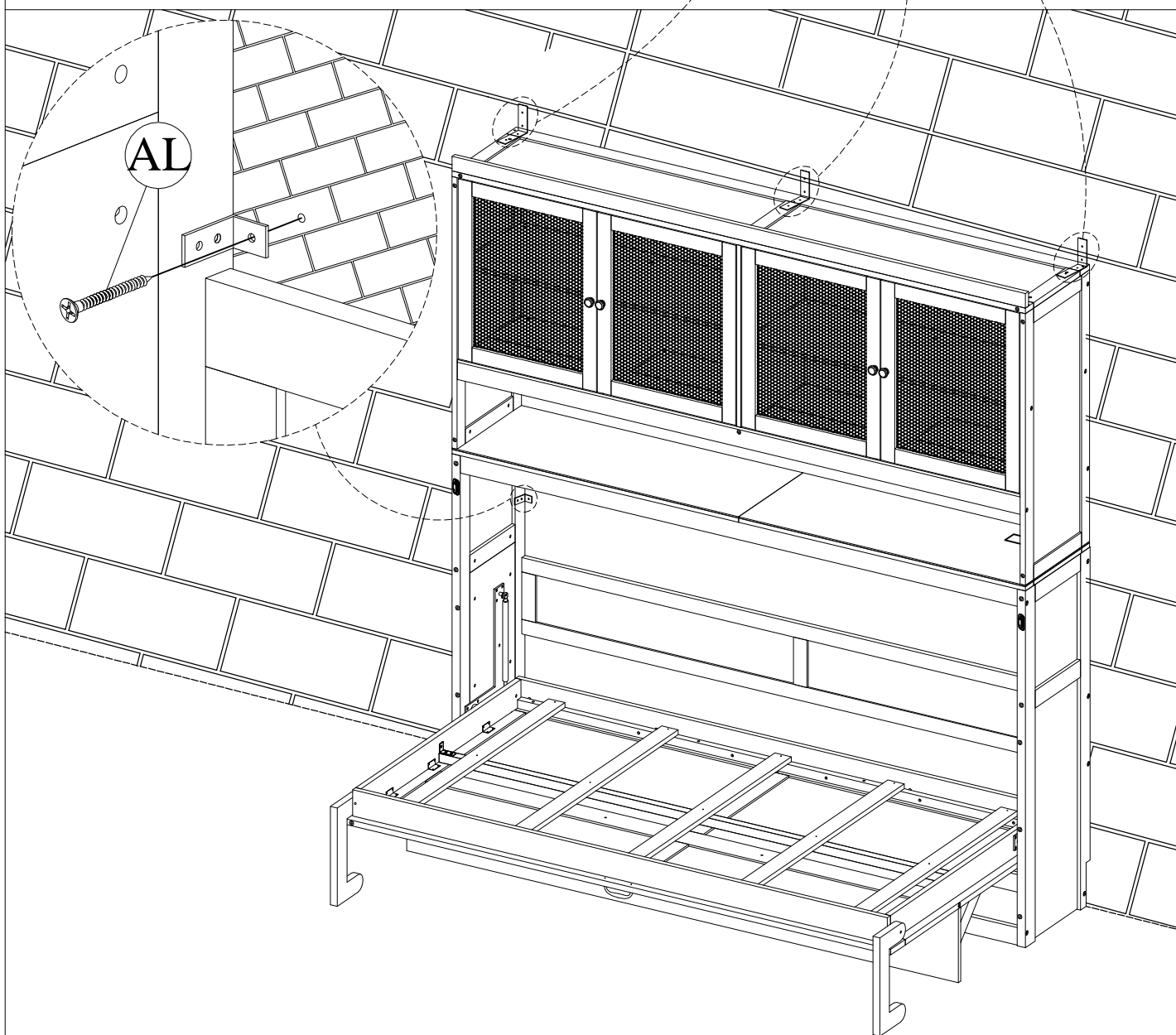
Four people are required to assemble and move this model.



AL

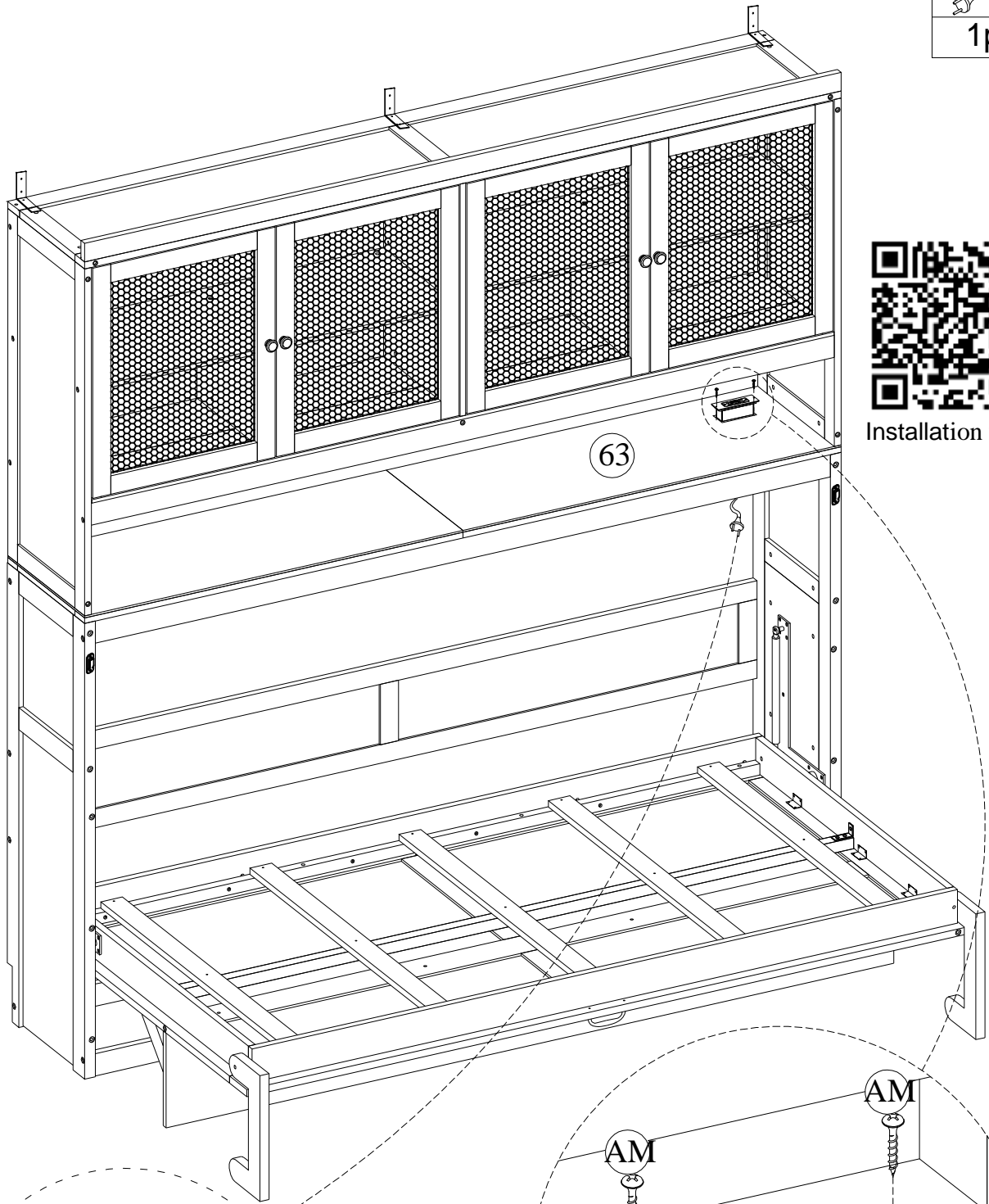
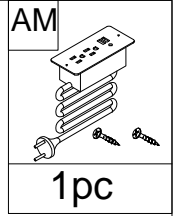


AL

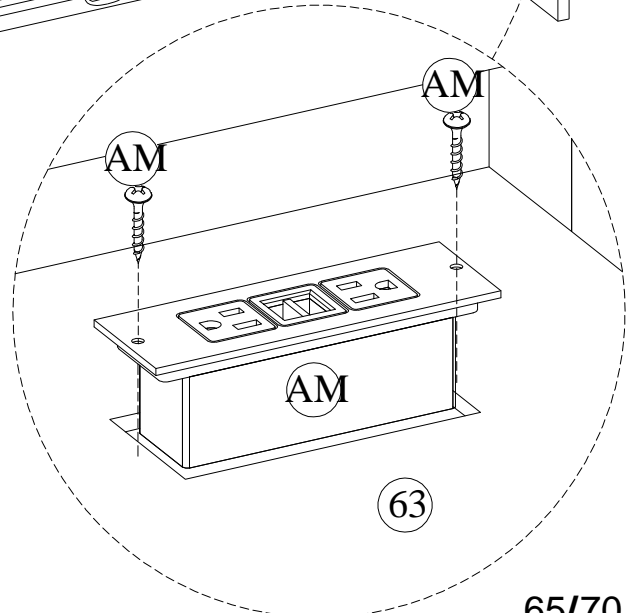
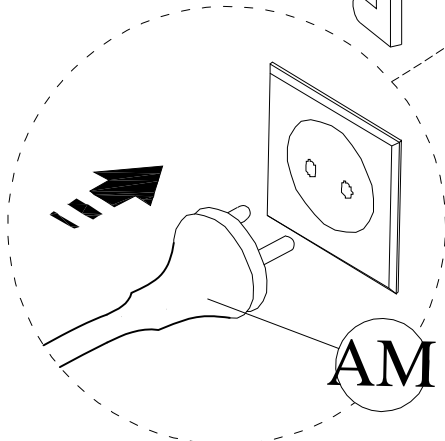


64/70

STEP-ÉTAPE 70 :

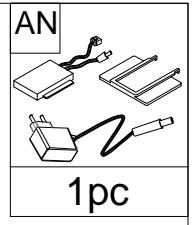


Installation video

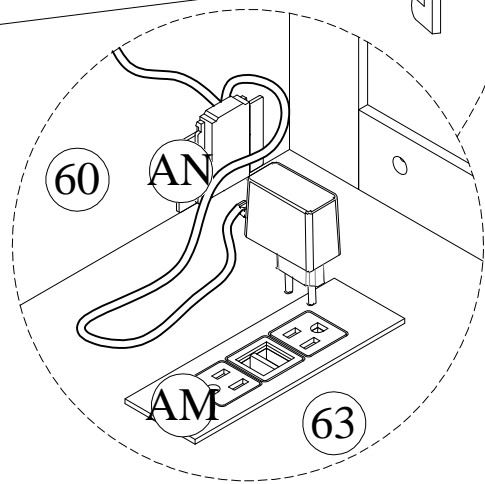
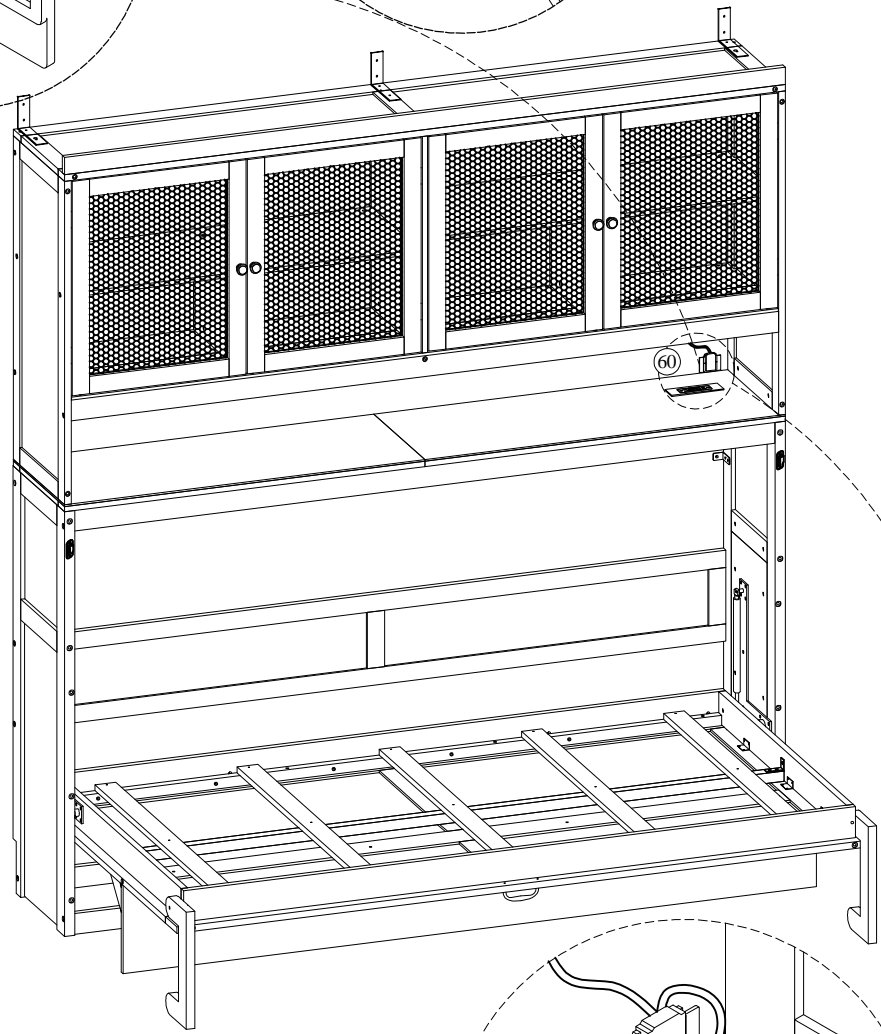
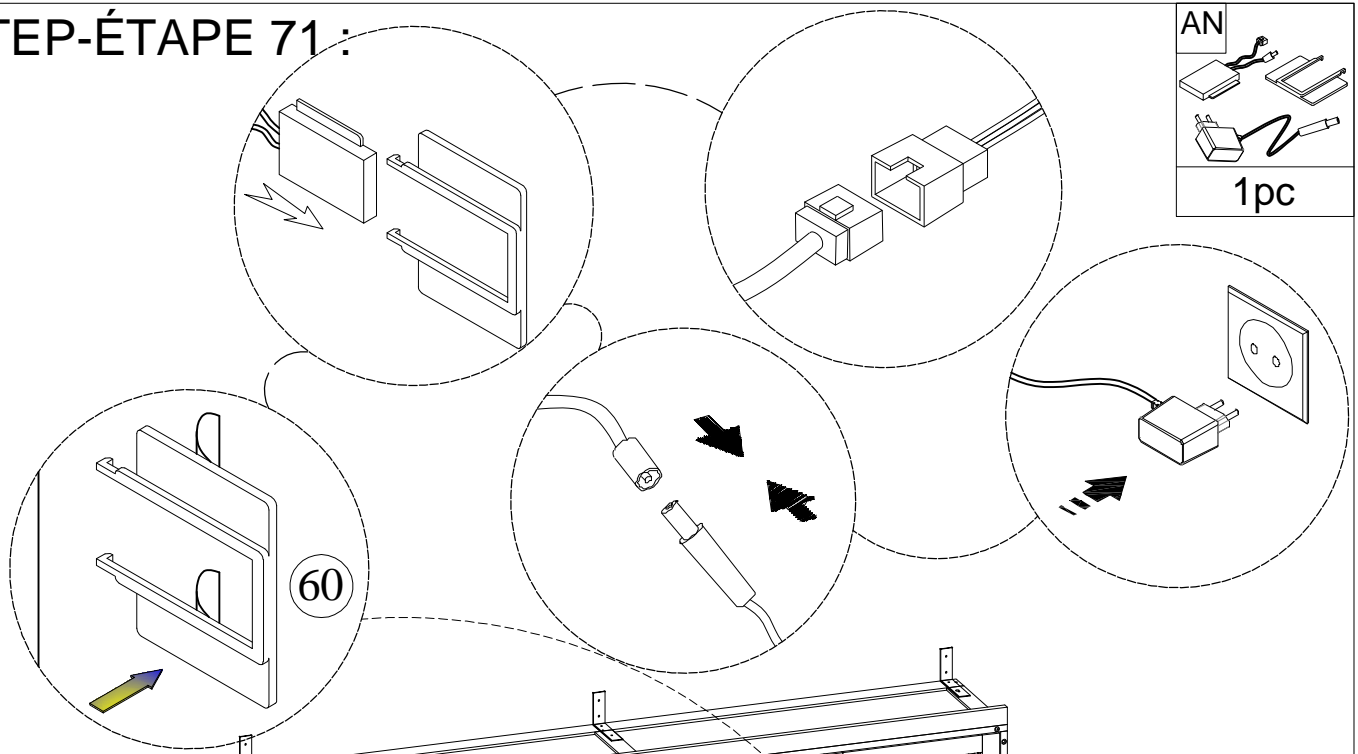


STEP-ÉTAPE 71 :

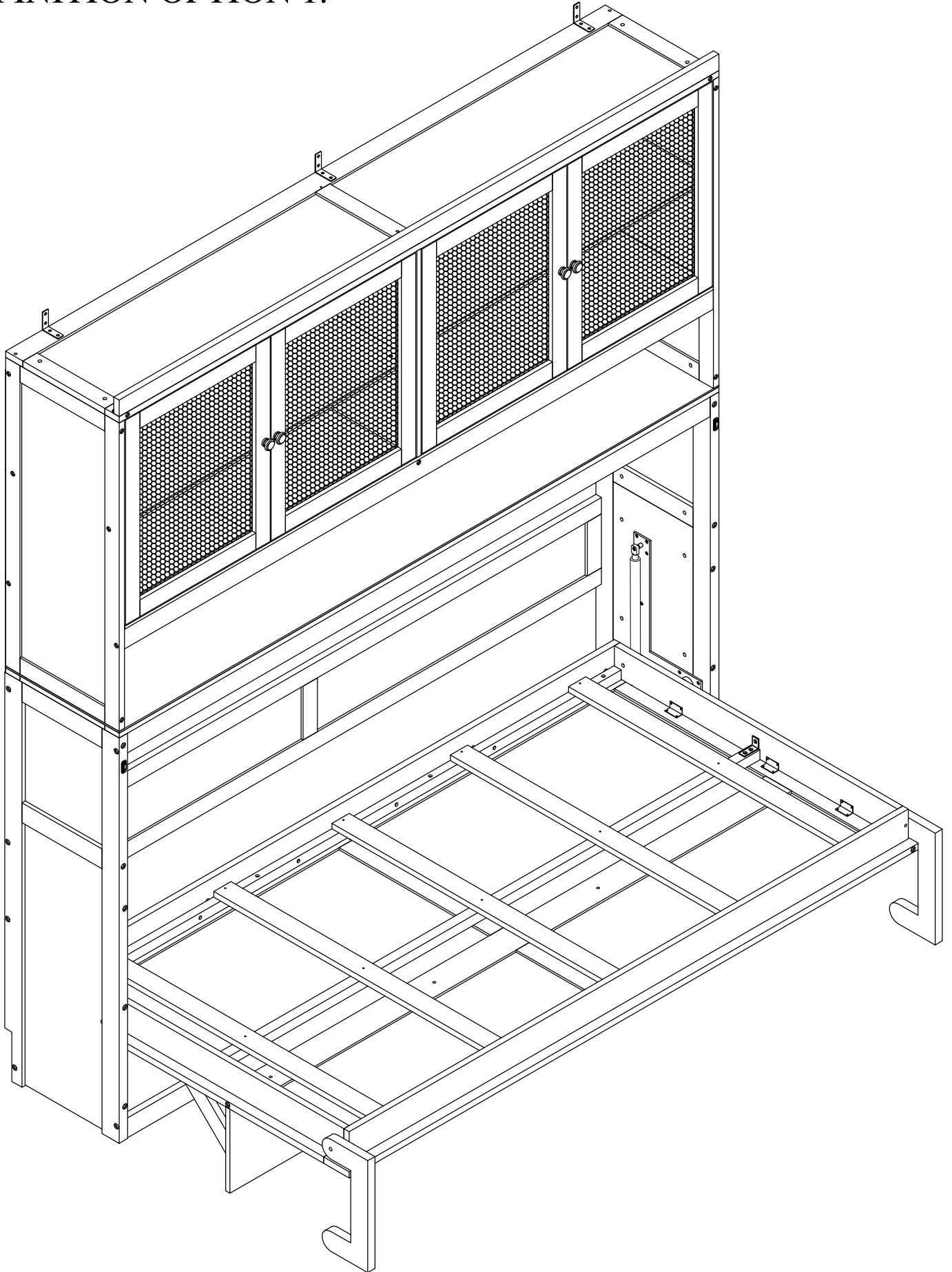
AN



1pc

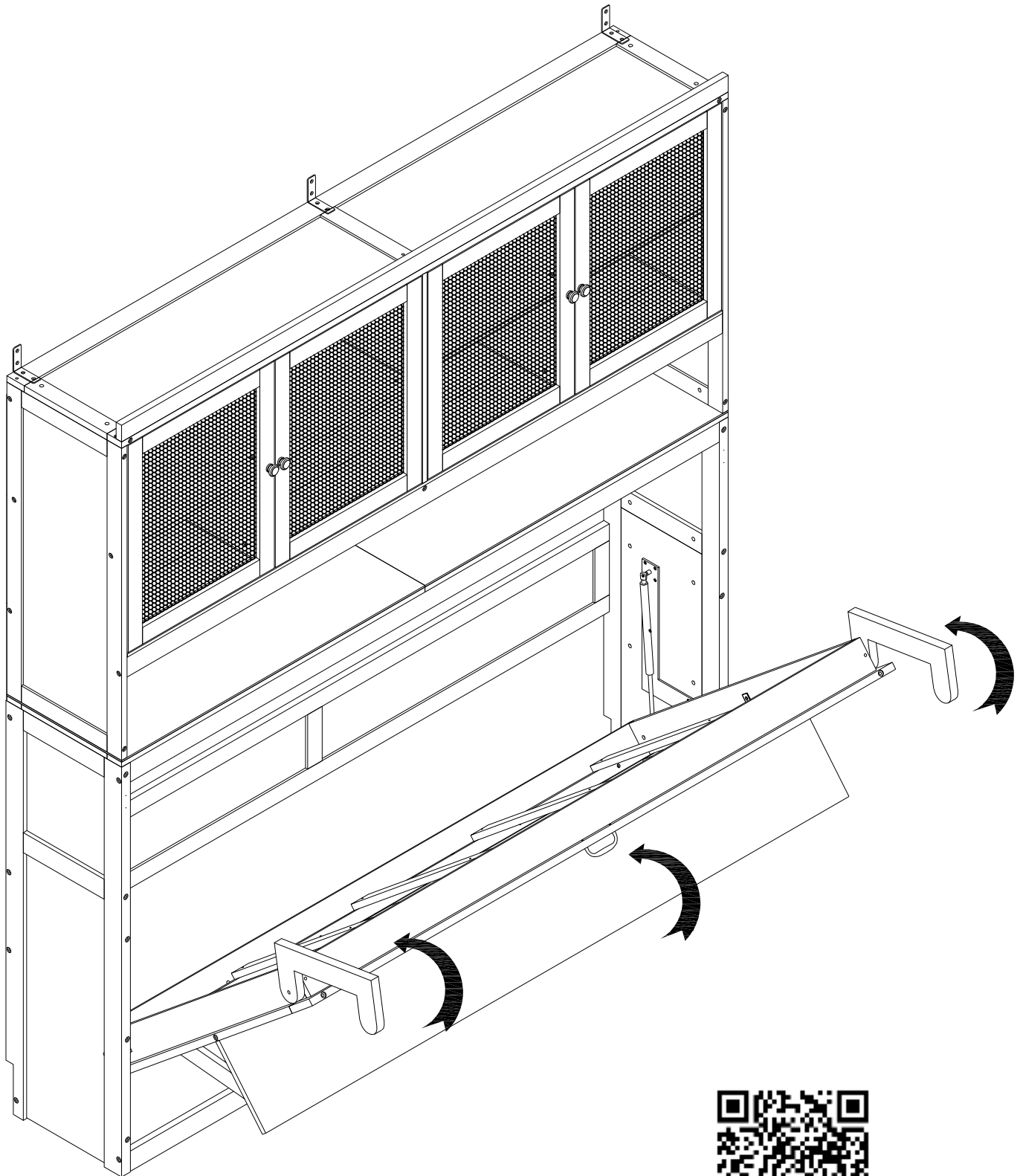


FINISH OPTION 1:
FINITION OPTION 1:



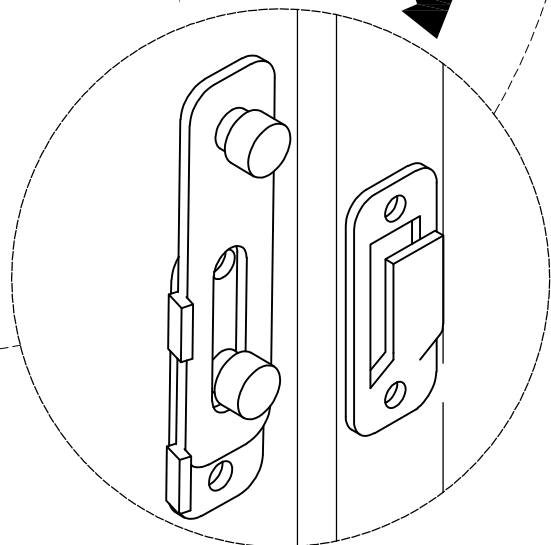
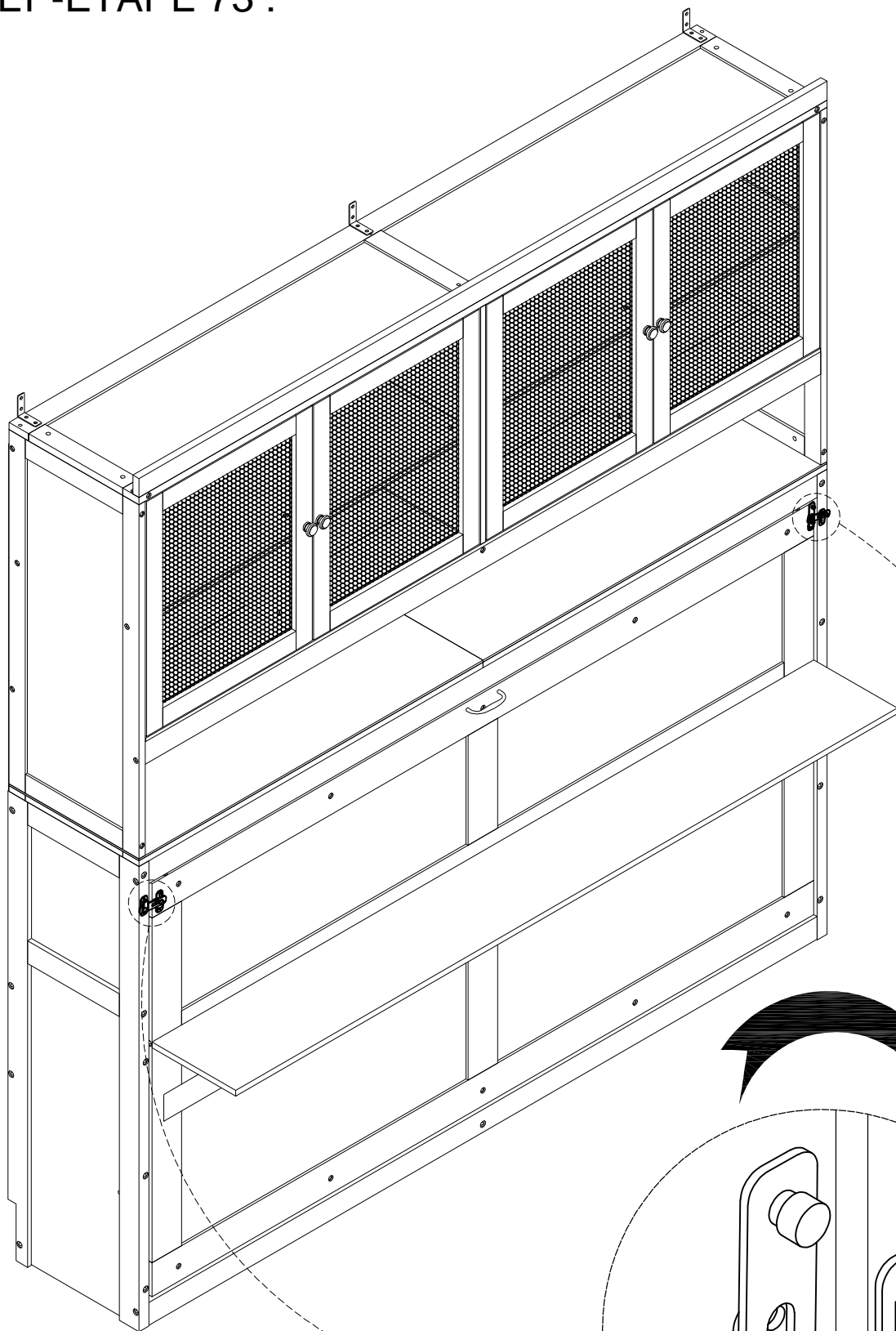
67170

STEP-ÉTAPE 72 :



Installation video

STEP-ÉTAPE 73 :



Installation video

FINISH OPTION 2:
FINITION OPTION 2:

