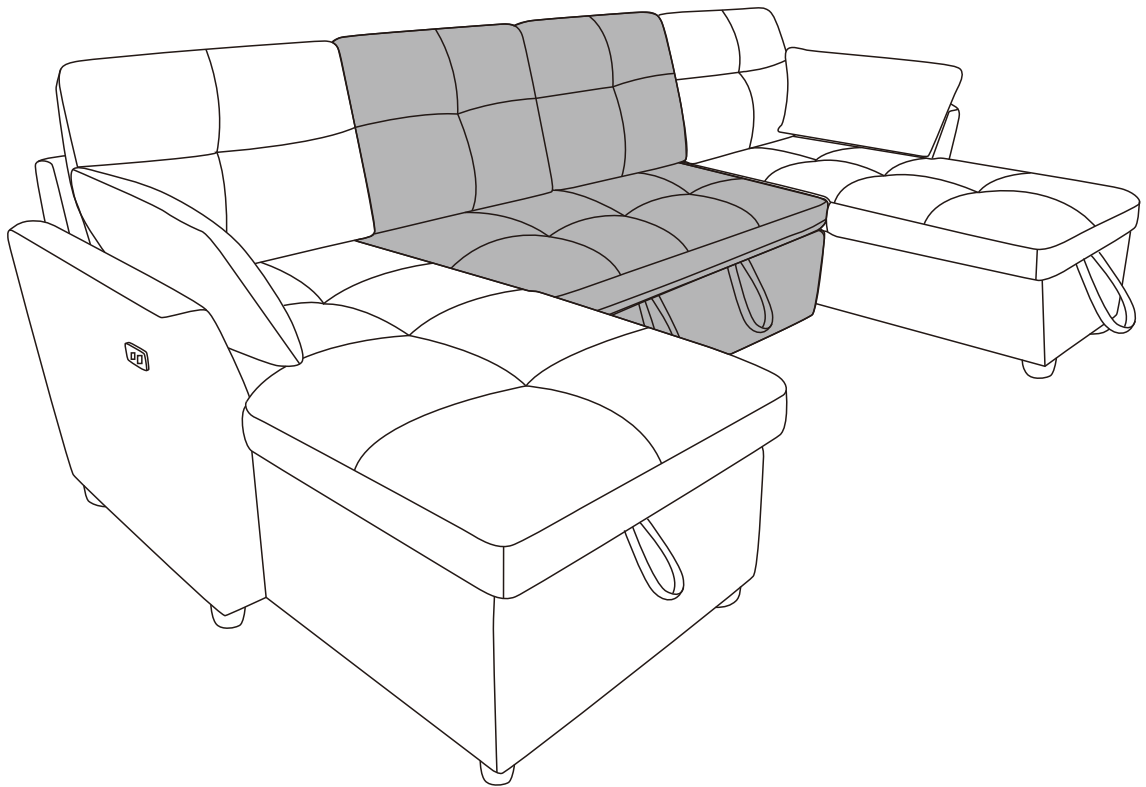
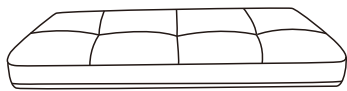


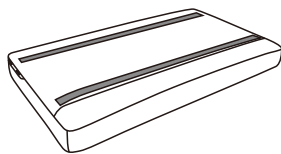
# Installation & Assembly



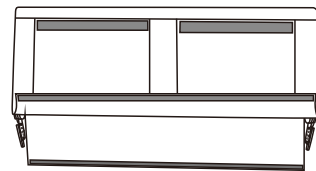
# Components List



H X1



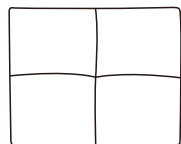
I X1



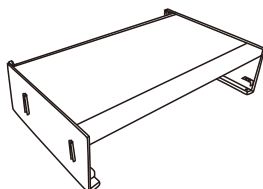
J X1



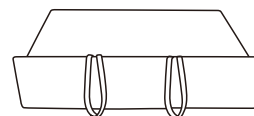
J accessory goes inside csal sccessory



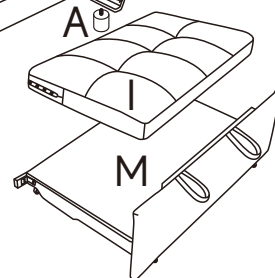
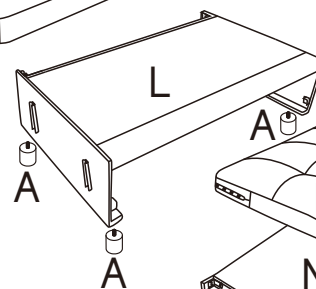
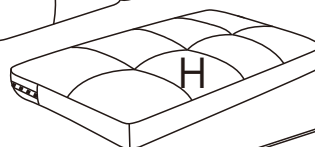
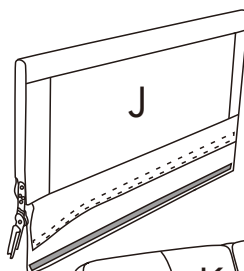
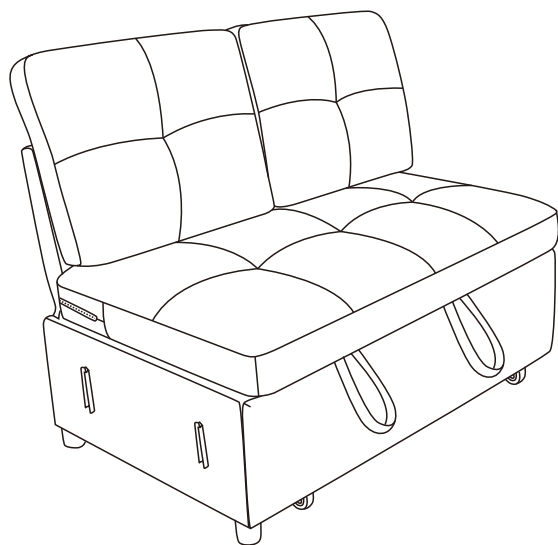
K X2



L X1



M X1



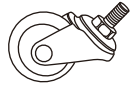
# Hardware List

A



X4

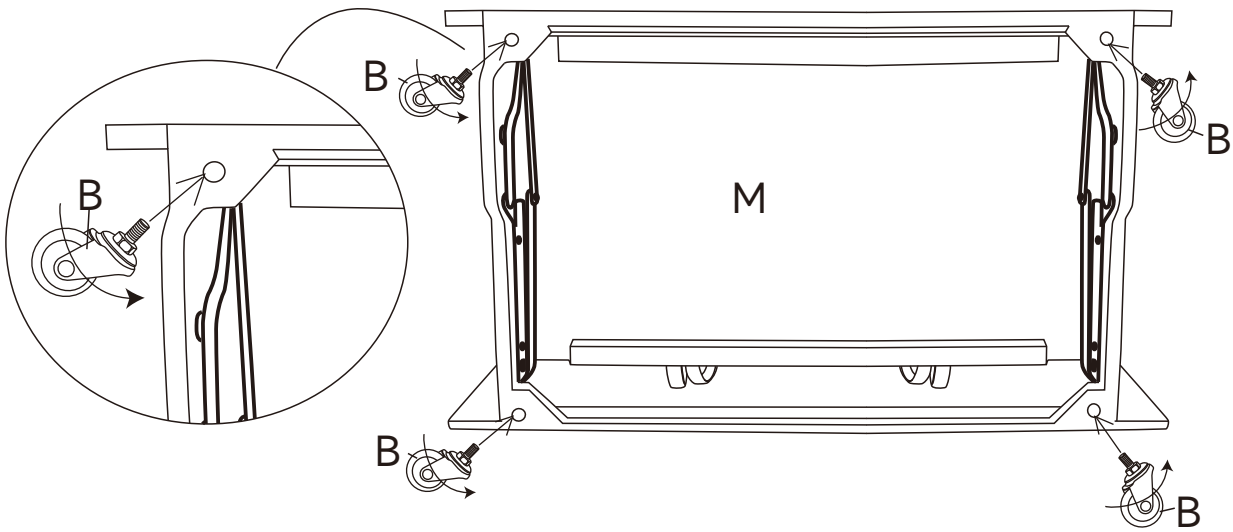
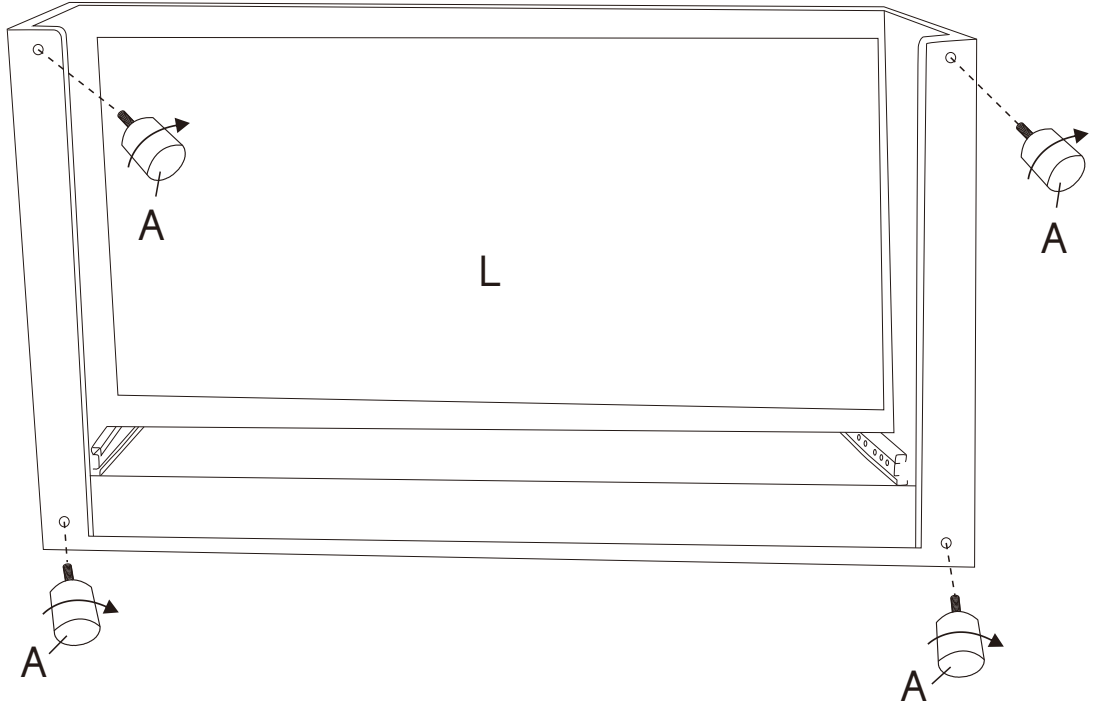
B



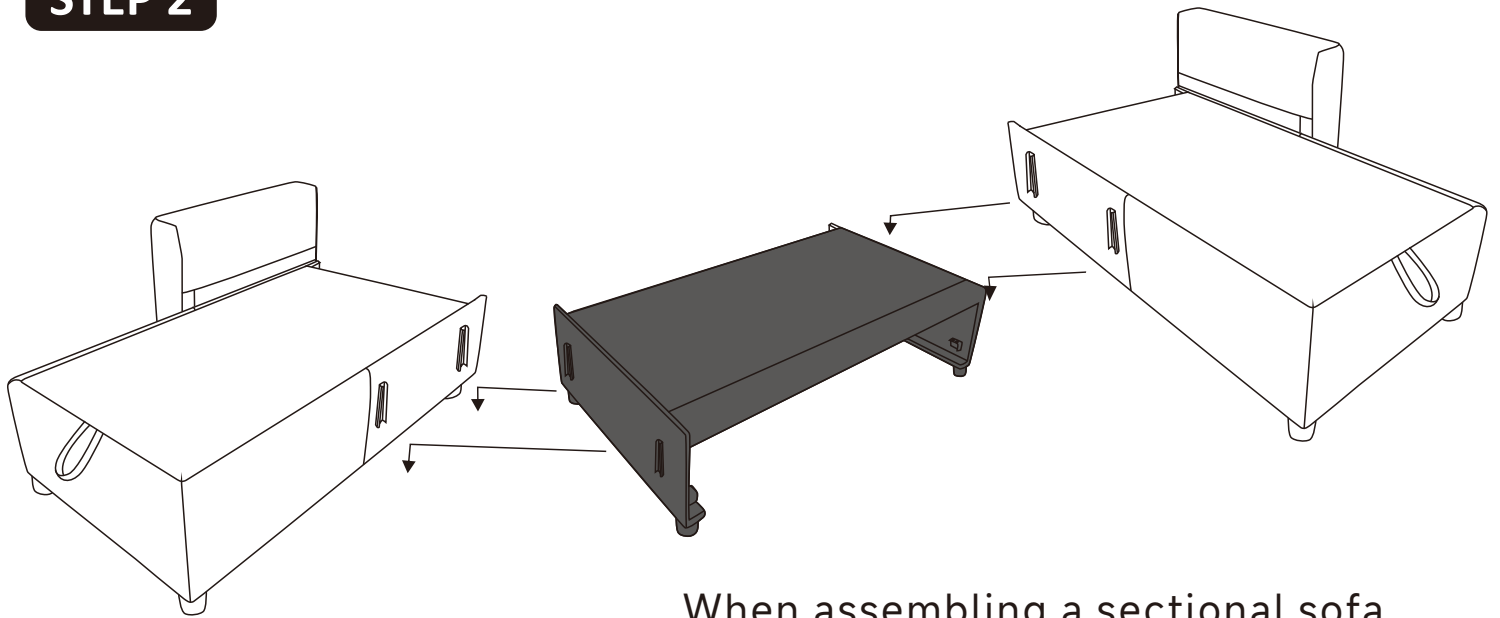
X4

# STEP 1

	Ax4
	Bx4

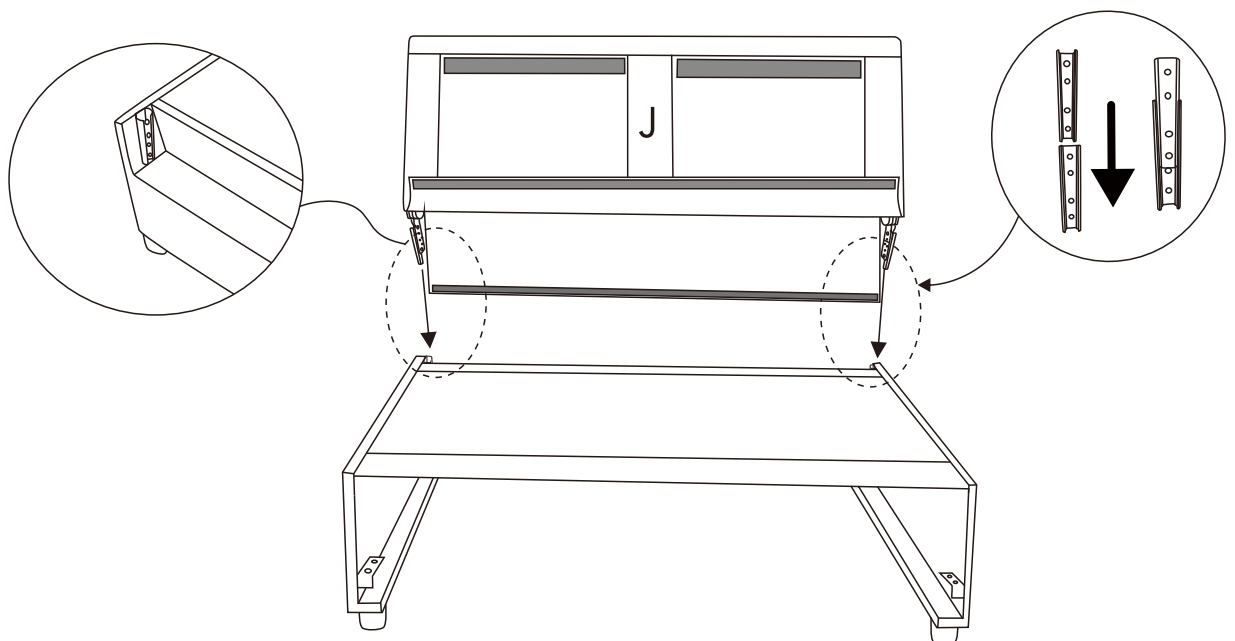


## STEP 2

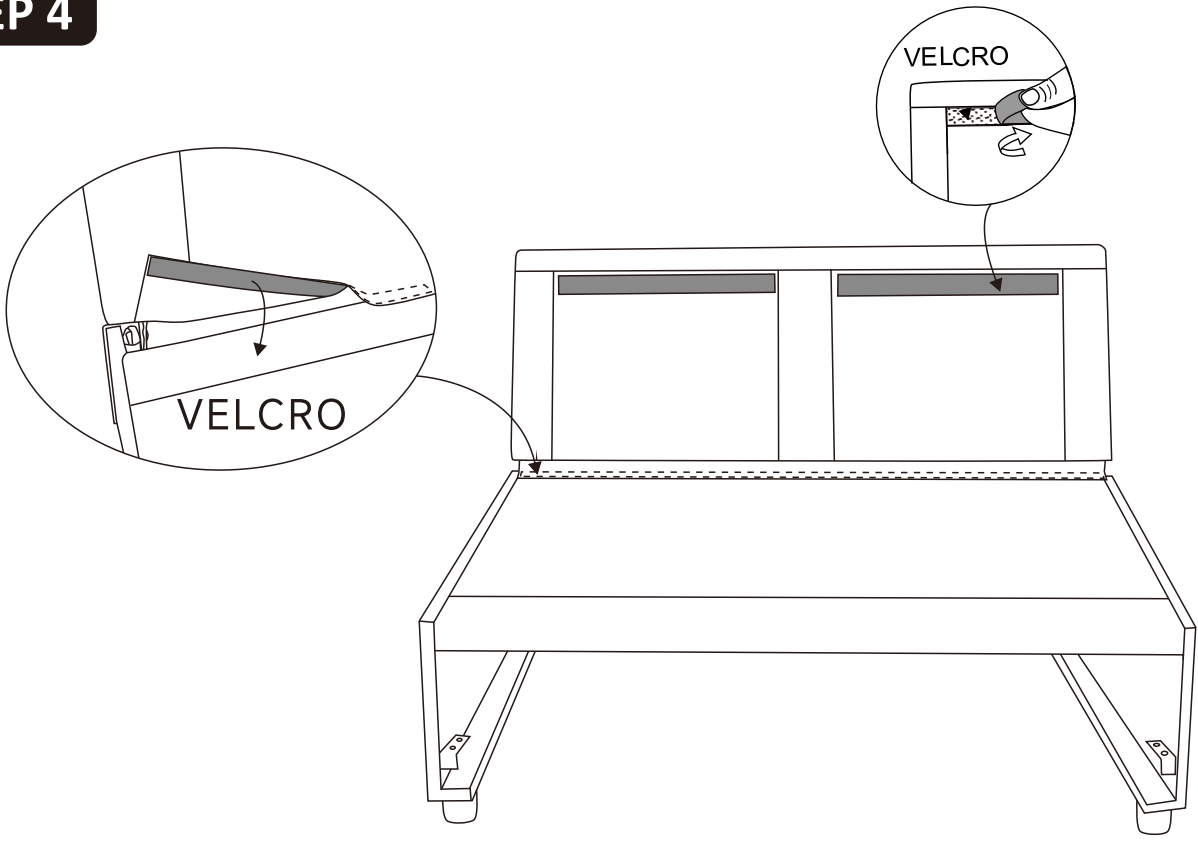


When assembling a sectional sofa, it is essential to have one individual positioned at the rear and another at the front, simultaneously lifting the sofa to securely fasten the components together.

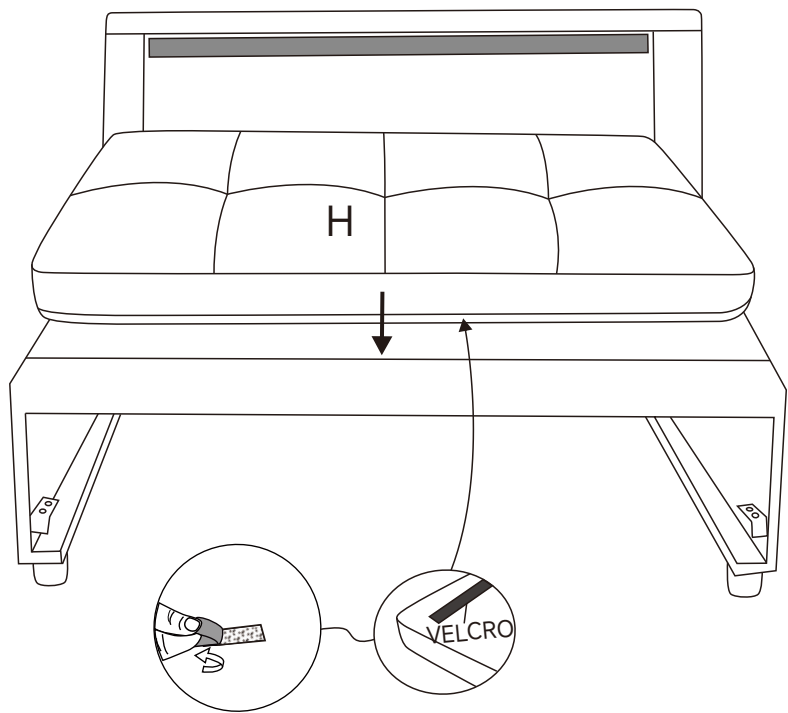
## STEP 3



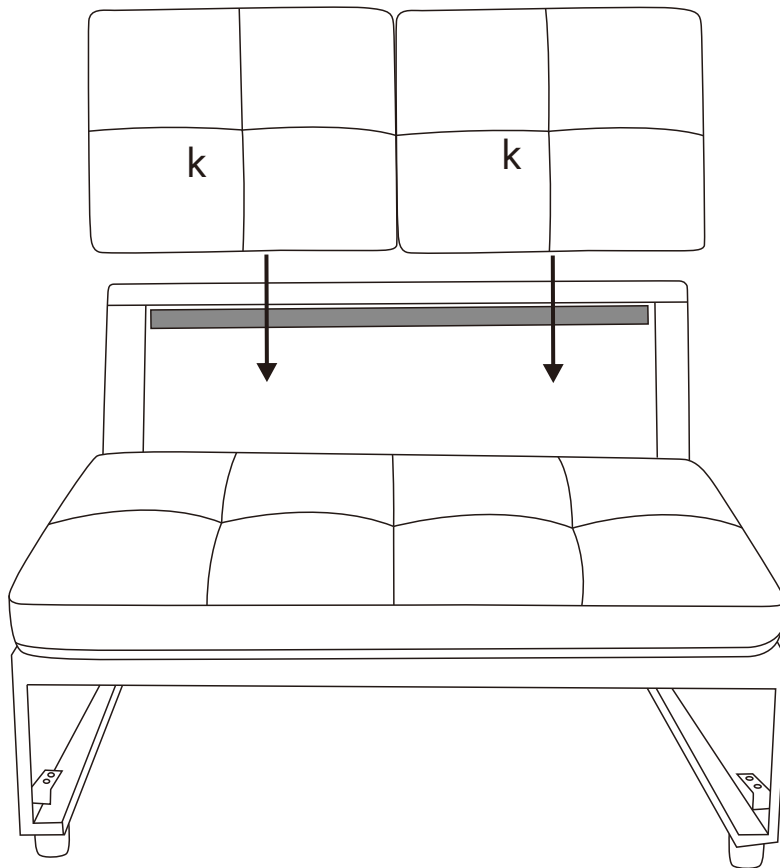
**STEP 4**



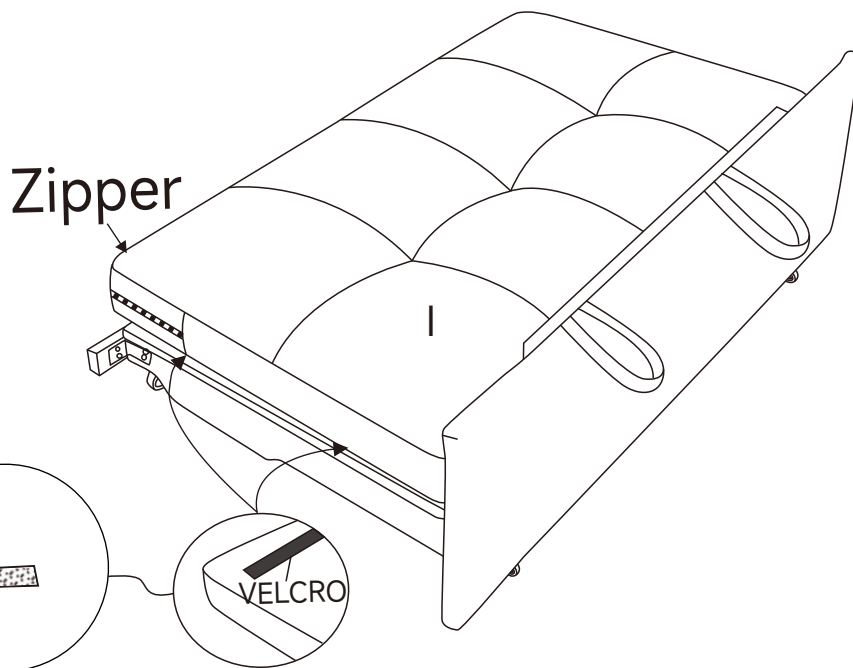
**STEP 5**



**STEP 6**

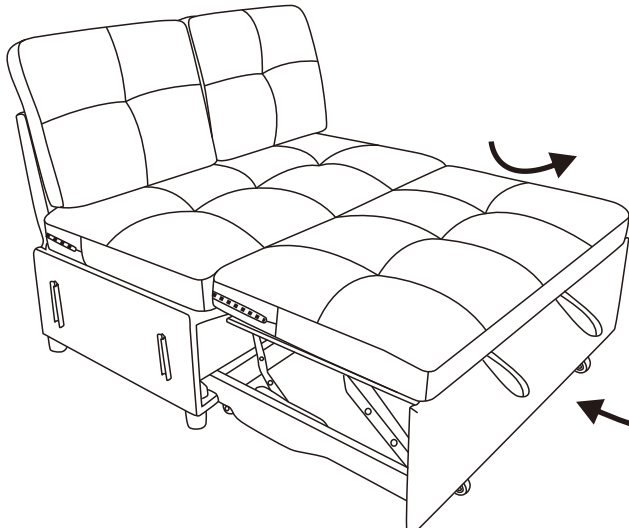
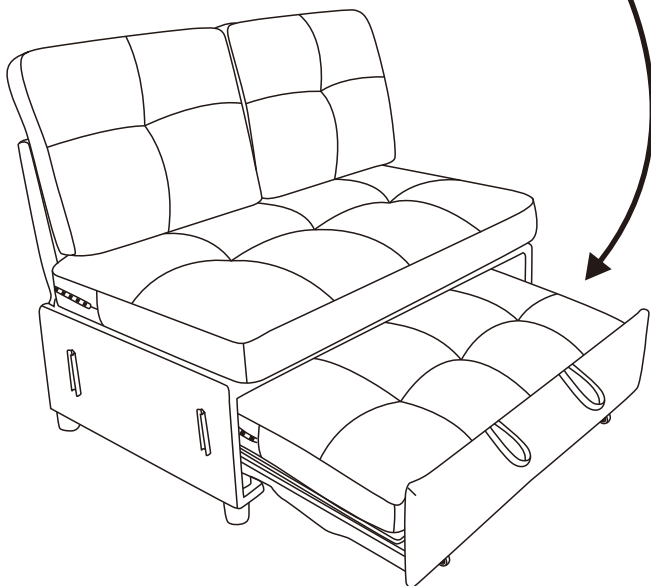
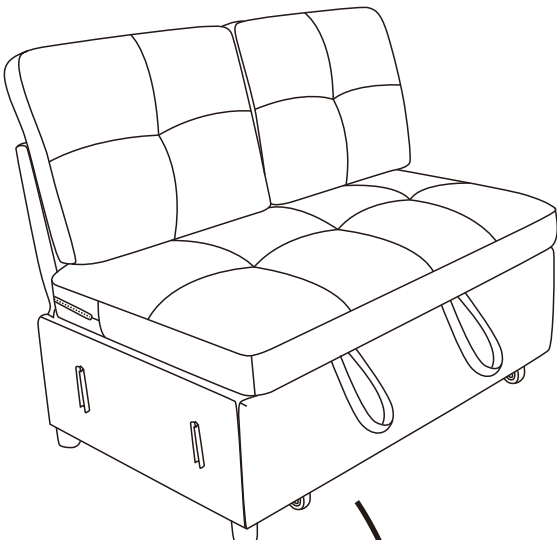
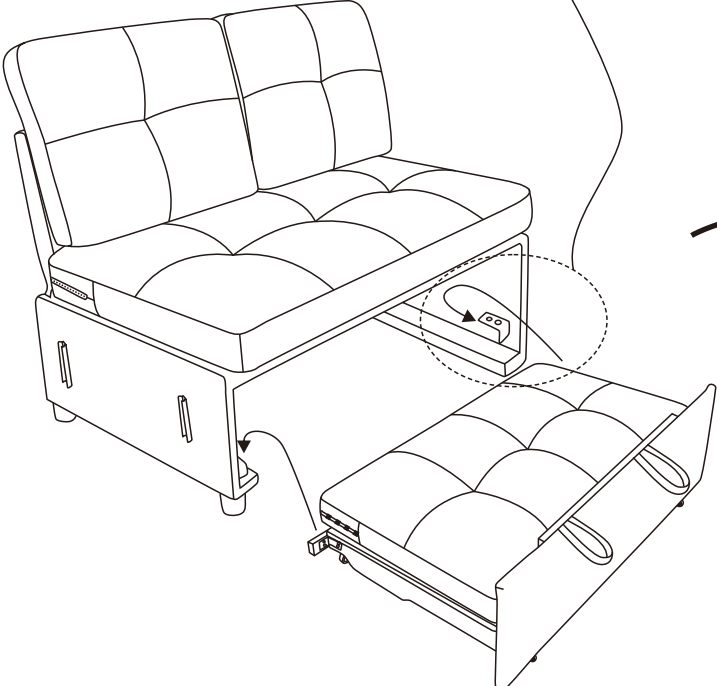
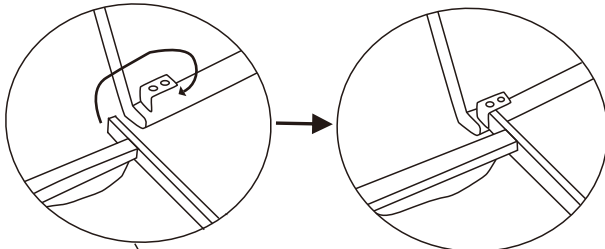


**STEP 7**

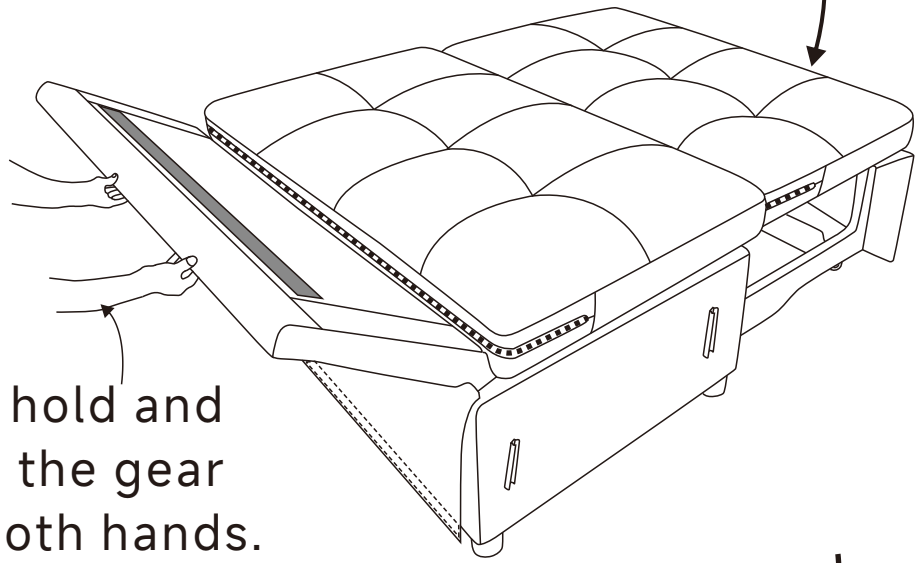
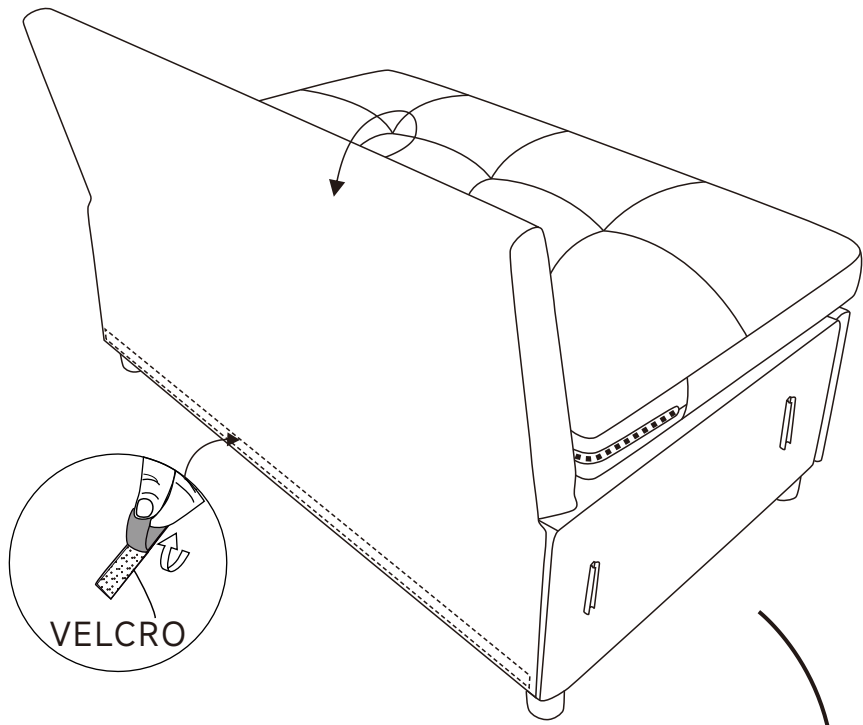


The cushion is in compression package . Just take out and plump up for hours . 48 hours is better for reaching its full size . Follow the assembly instructions to assemble after reach its full size .

**STEP 8**



**STEP 9**



Please hold and adjust the gear with both hands.

