

### Specifications:

<b>Installation:</b>	Vessel
<b>Exterior Dimensions:</b>	16 1/8" w x 16 1/8" d x 6 1/2" h
<b>Material:</b>	Porcelain
<b>Weight:</b>	28 lbs
<b>Overflow:</b>	Yes
<b>Finishes:</b>	001 - White
<b>Faucet Holes:</b>	N/A
<b>Cut-out Size:</b>	Ø 6" (template available upon request)
<b>Drain Hole Size:</b>	Ø 1 3/4"



### Features:

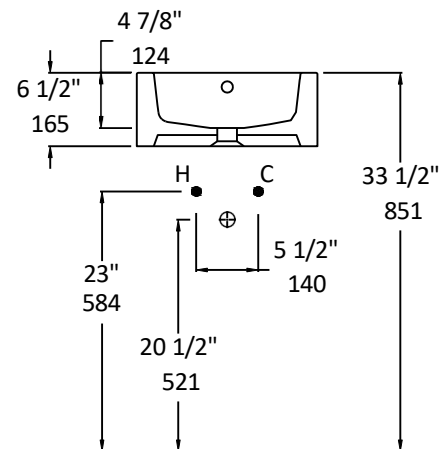
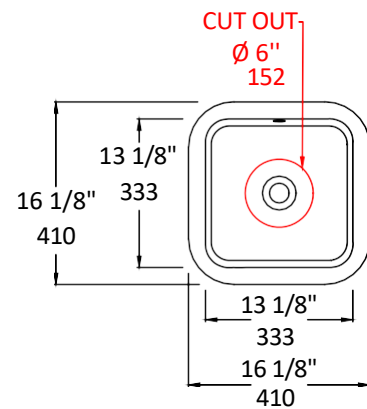
- Porcelain sink with overflow
- Unglazed bottom
- Glazed around

### Codes + Standards:

- Meets and exceeds applicable national codes and standards

### Recommended Items:

- European drain with overflow
  - 7100-160F



LACAVA reserves the right to revise any dimension or information on this sheet without notice. Dimensions are nominal and may vary within an industry accepted tolerance of 1/4". Drawings provided herein are meant to give the user an idea of the product and are not made to scale.

Revised: 11/26/25