

# FZU36L



Product family	Freezers
Installation	Built-in
Category	One Door
Cooling type	No-frost
Hinge	Door-to-door
Hinge position	Left



## Aesthetic

Aesthetics	Universal	Side material	Metal
Material	Steel	Display	TFT
Door stainless steel type	Normal		

## Freezer features

Freezer lighting	Yes
Freezer lighting	Incandescent light
Number of drawers	4

## Other Freezer features

Ice maker	Automatico
-----------	------------

## Other technical features



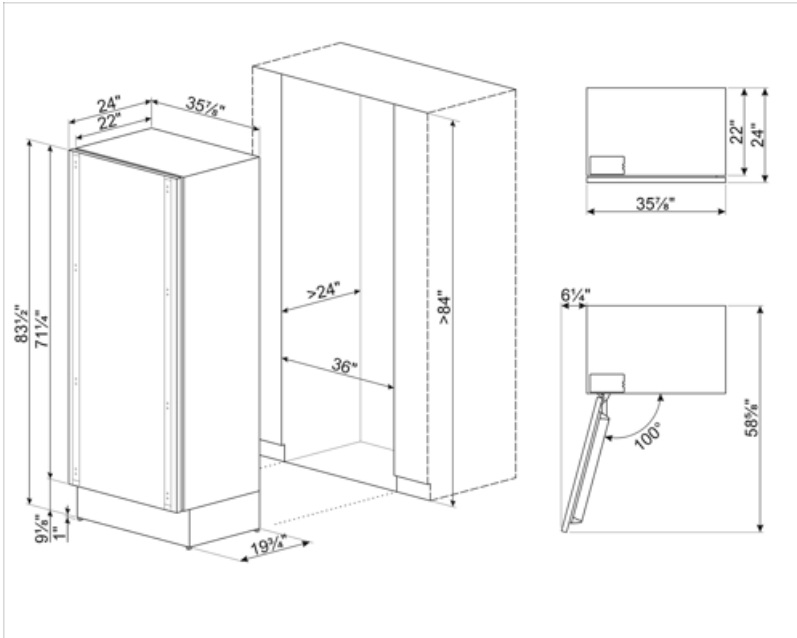
Display functions	Holiday, Fast-freezing	Type of temperature control	Electronic
Fast-freezing button	Yes	No. of compressors	1
Power-on light	Yes	Refrigerant gas type	R600a
Temperature alarm light	Yes	Type of compressor	Inverter
Door-open alarm	Yes	Refrigerant quantity	85 oz
Temperature Alarm	Yes	Foam agent	Cyclopentane

## Performance / Energy Label

<b>Total volume</b>	150.6 gal	<b>Climatic class</b>	SN, N, ST, T
<b>Sum of the volumes of the frozen compartment(s)</b>	150.6 gal		

## Electrical Connection

<b>Current</b>	3,5 A	<b>Power cord length</b>	78 3/4 "
<b>Voltage</b>	115 V	<b>Plug</b>	(B) NEMA 5-15P
<b>Frequency (Hz)</b>	60 Hz		



---

## Symbols glossary

---



**Fast freezing:** The fast freezing function brings the temperature of the compartment down when activated a few hours prior to usage.



**Power saving mode:** The power saving mode allows you to disable the refrigerator and keep the freezer working.



**Inverter technology:** The evolution of Smeg's driers towards more intelligent and environmentally sustainable models has led to the choice of using Inverter technology with heat pumps, which reduces significantly energy consumption.



**No Frost:** The No Frost and Frost free systems prevent ice from forming so that no defrosting is required.