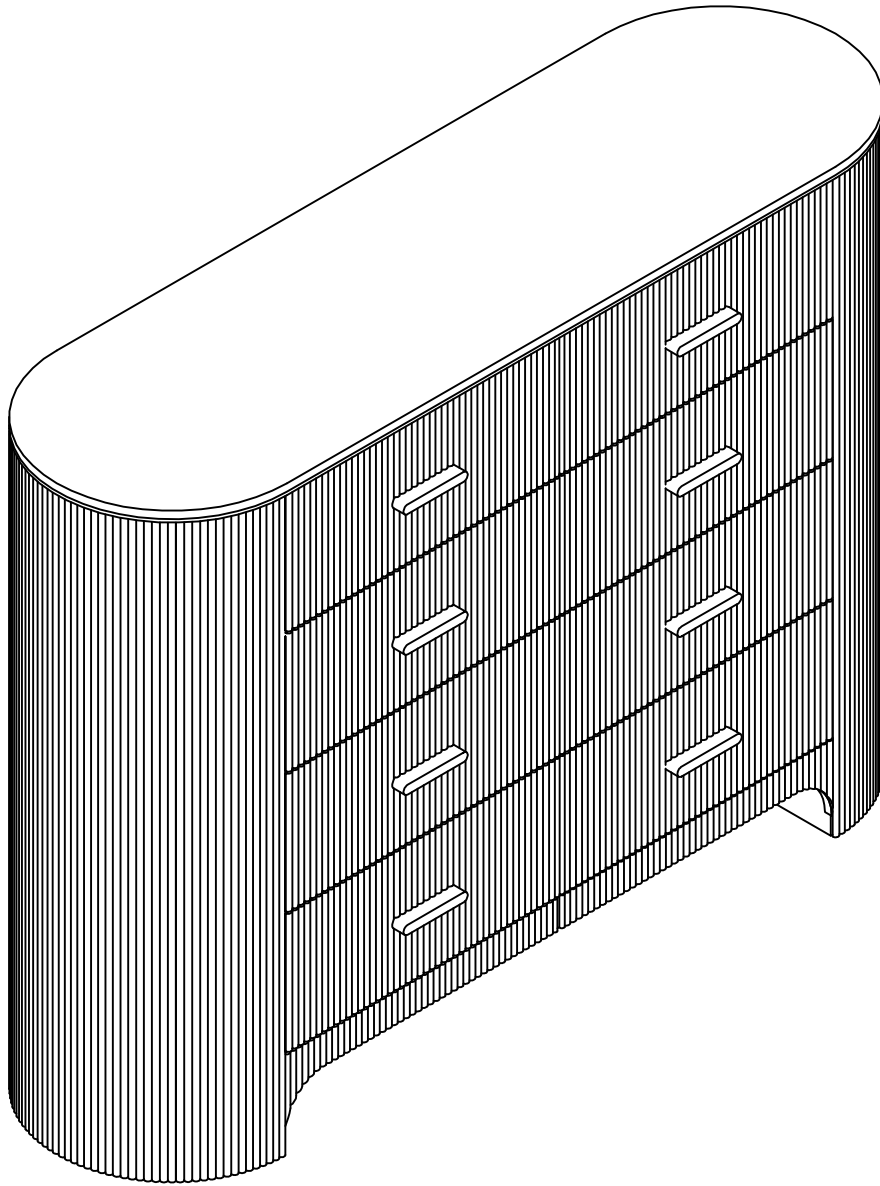
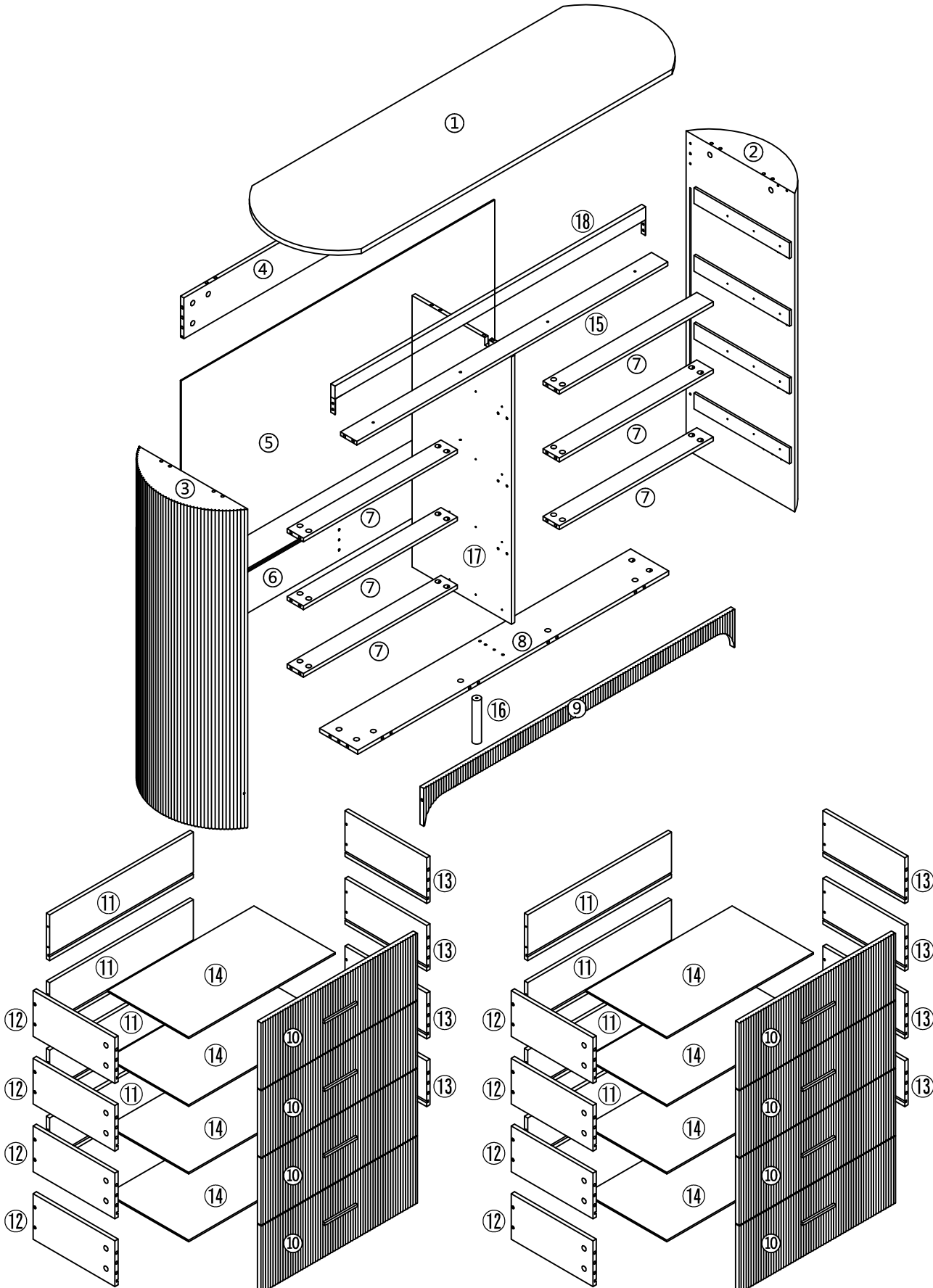




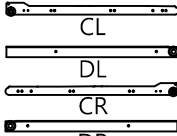






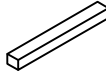



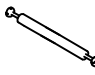



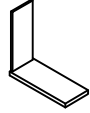


# ASSEMBLY INSTRUCTIONS



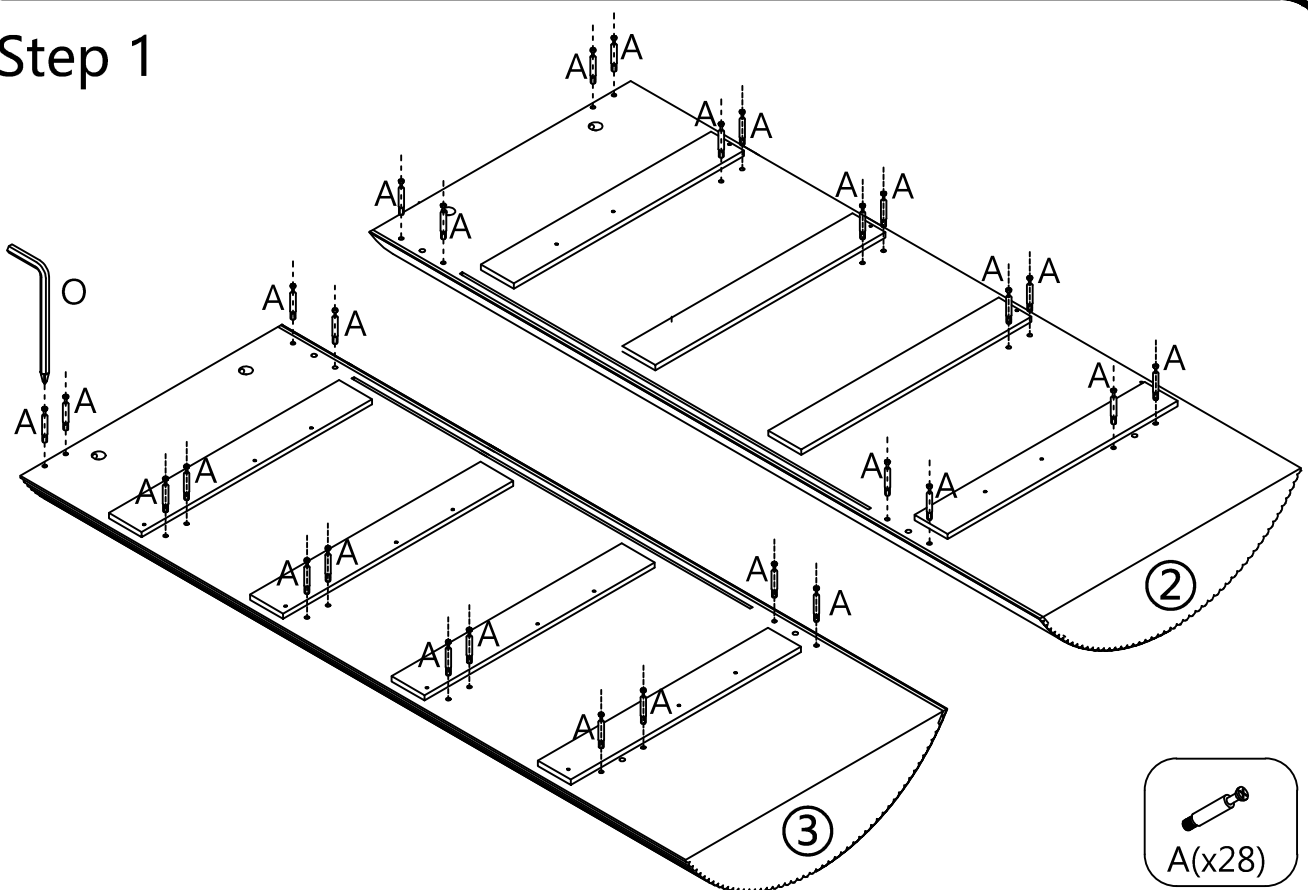
# Parts List



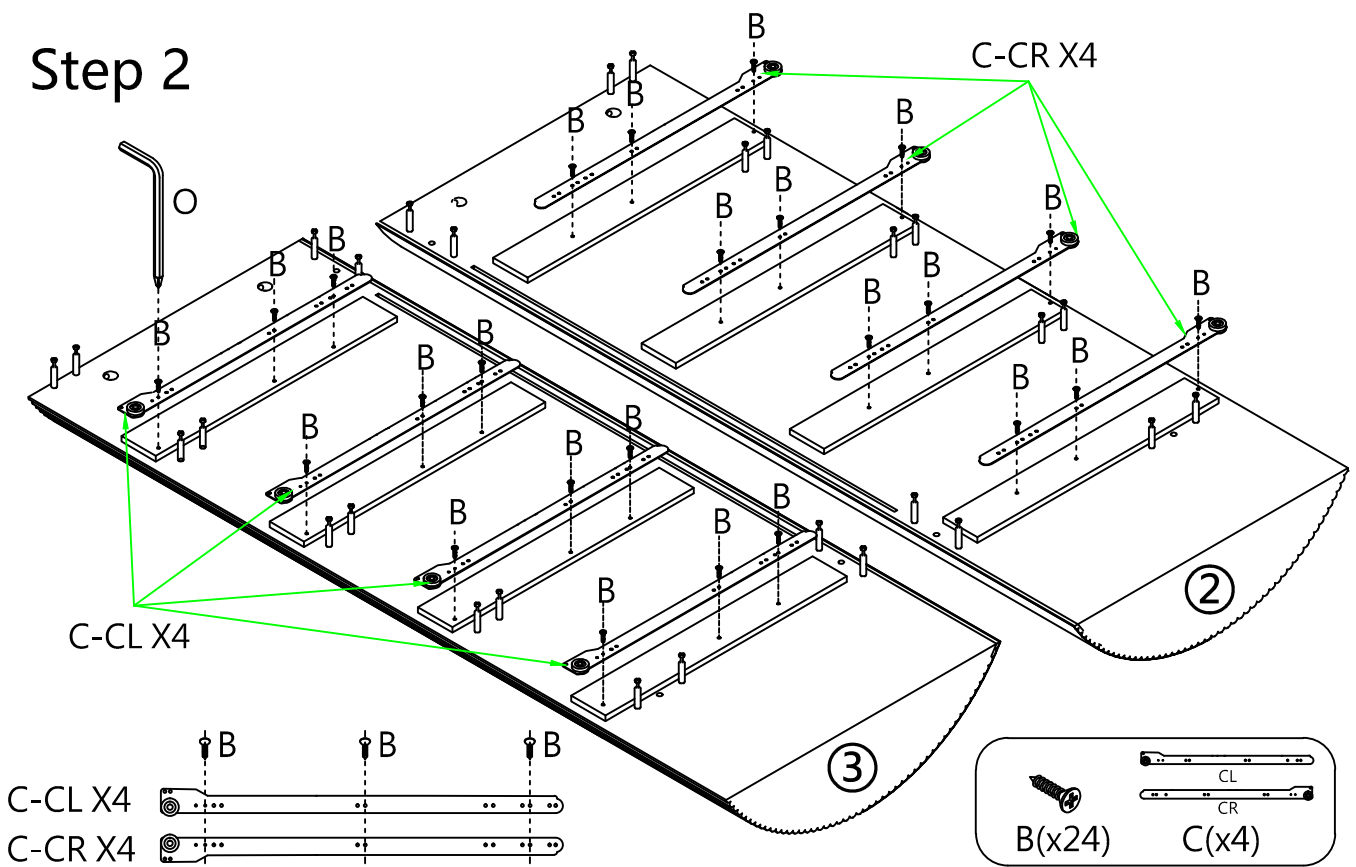
# Hardware List

 A(x74+2)	 M4*12 B(x102+16)	 CL DL CR DR L=300 C(x8)	 D(x2)	 M6*30 E(x42+1)
 D=15 F(x86+2)	 M4*20 G(x4)	 M3.5*25 H(x32+1)	 M4*22 I(x16)	 J(x8)
 K(x4)	 M3.5*15 L(x4)	 M5*40 M(x4)	 N(x6)	 O(x1)
 P(x1)	 Q(x2)	 R(x2)	 S (X2)	 M3.5*40 T (x2)

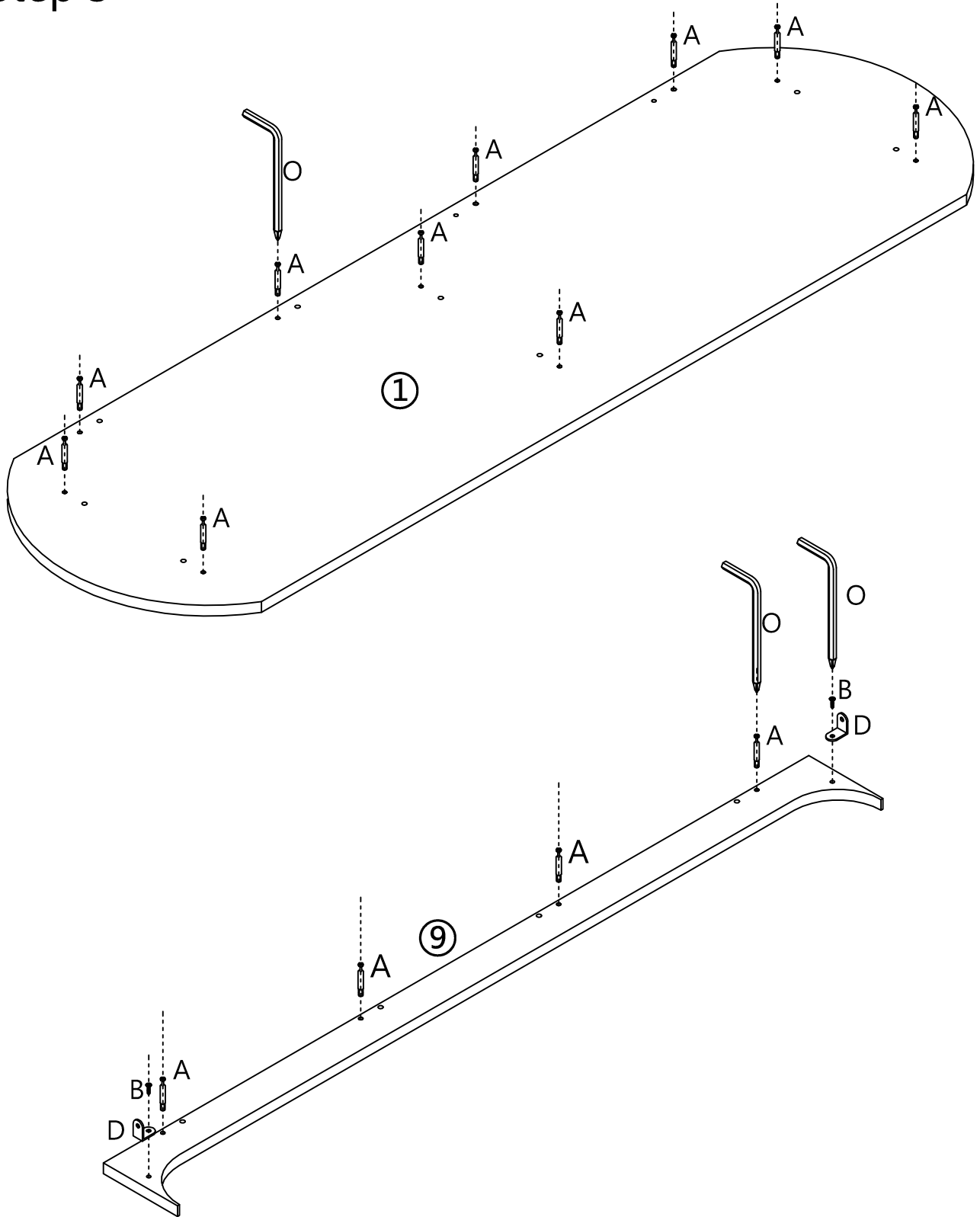
# Step 1






# Step 2

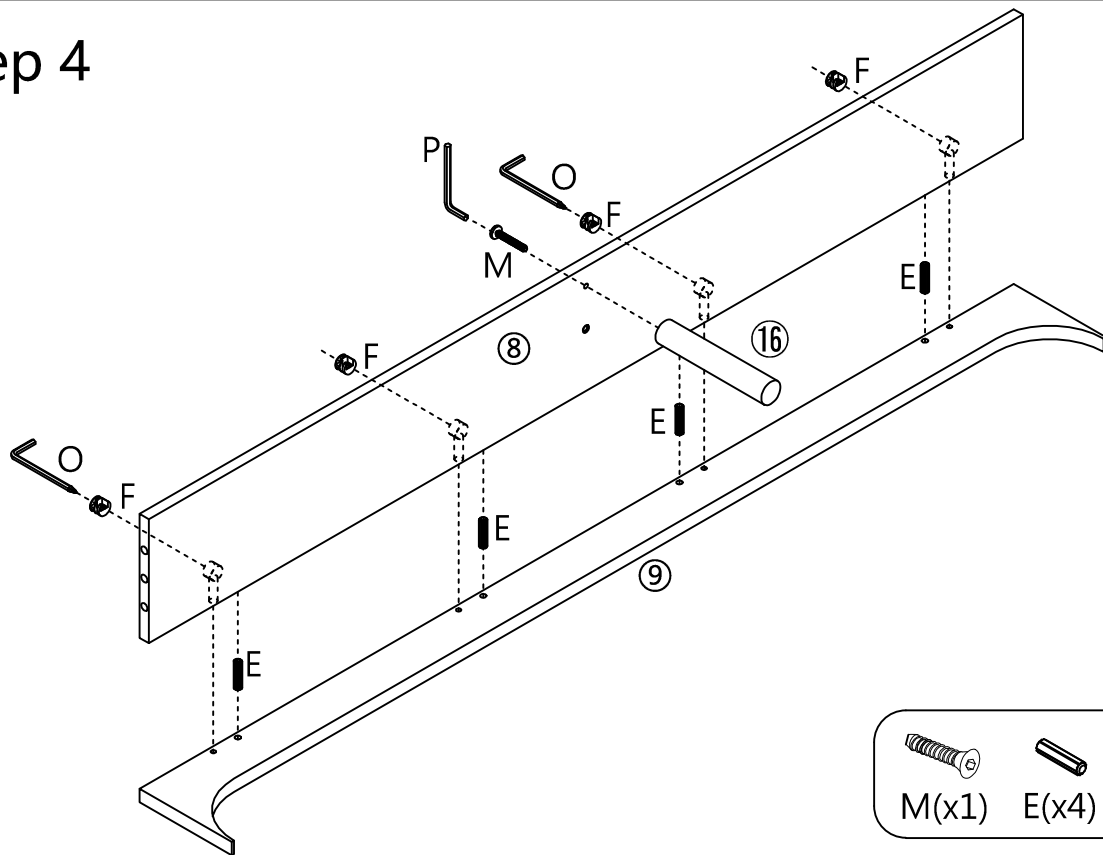


# Step 3

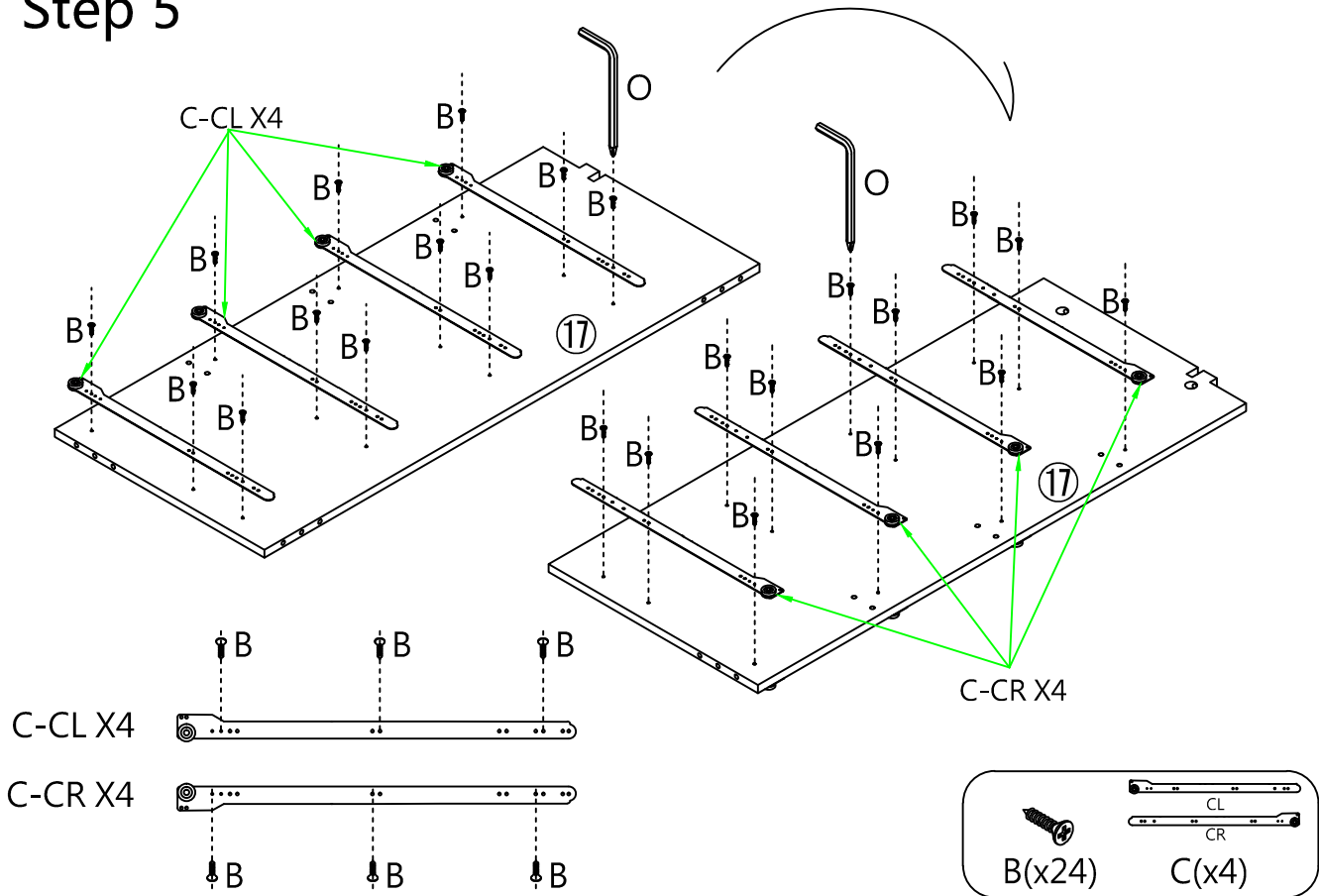


		
A(x14)	B(x2)	D(x2)

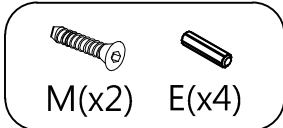
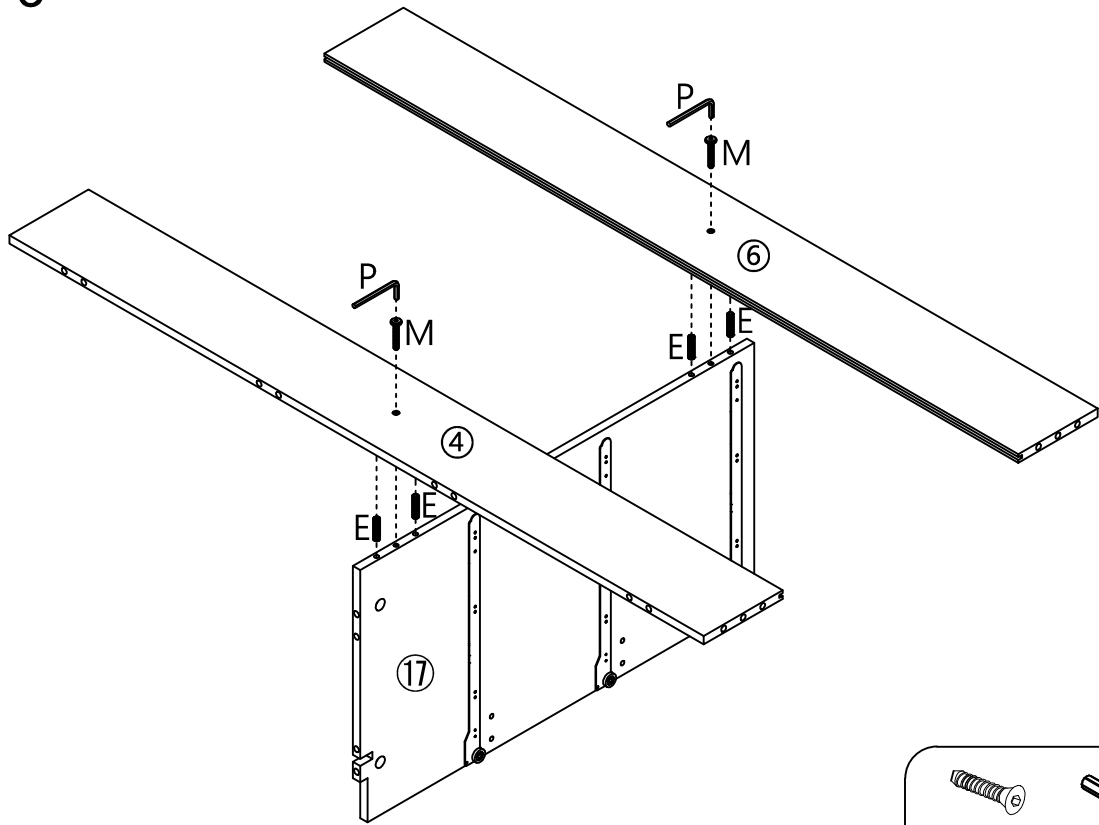
# Step 4



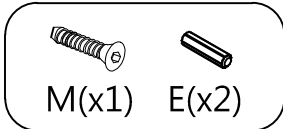
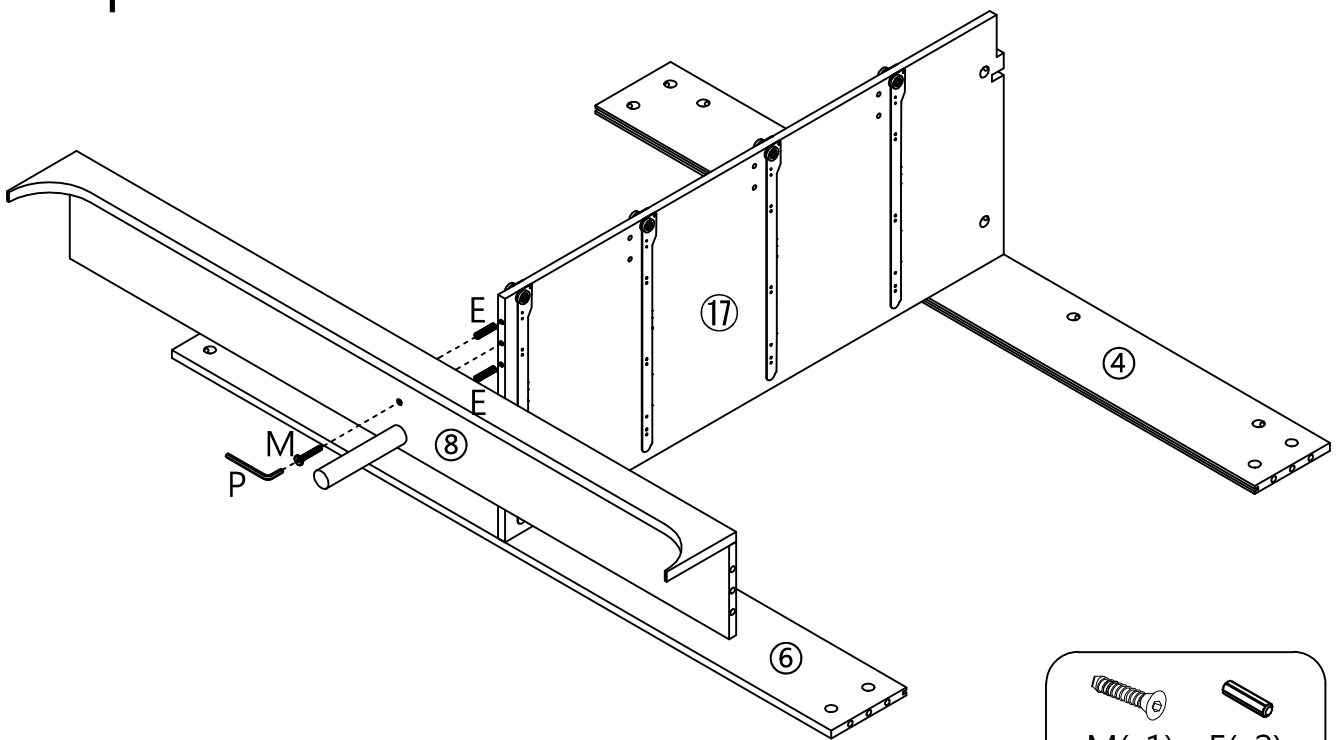
# Step 5



# Step 6

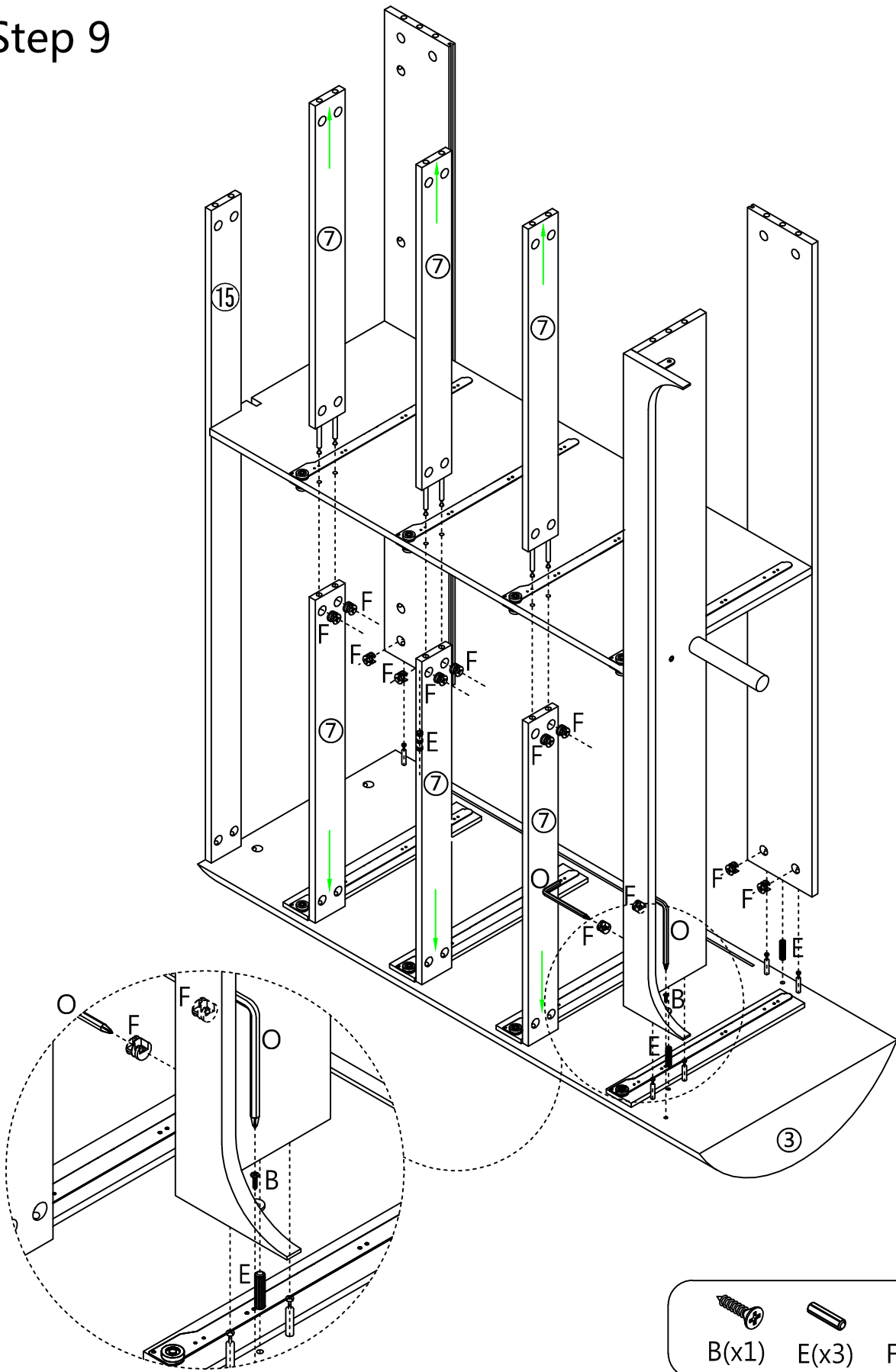


# Step 7

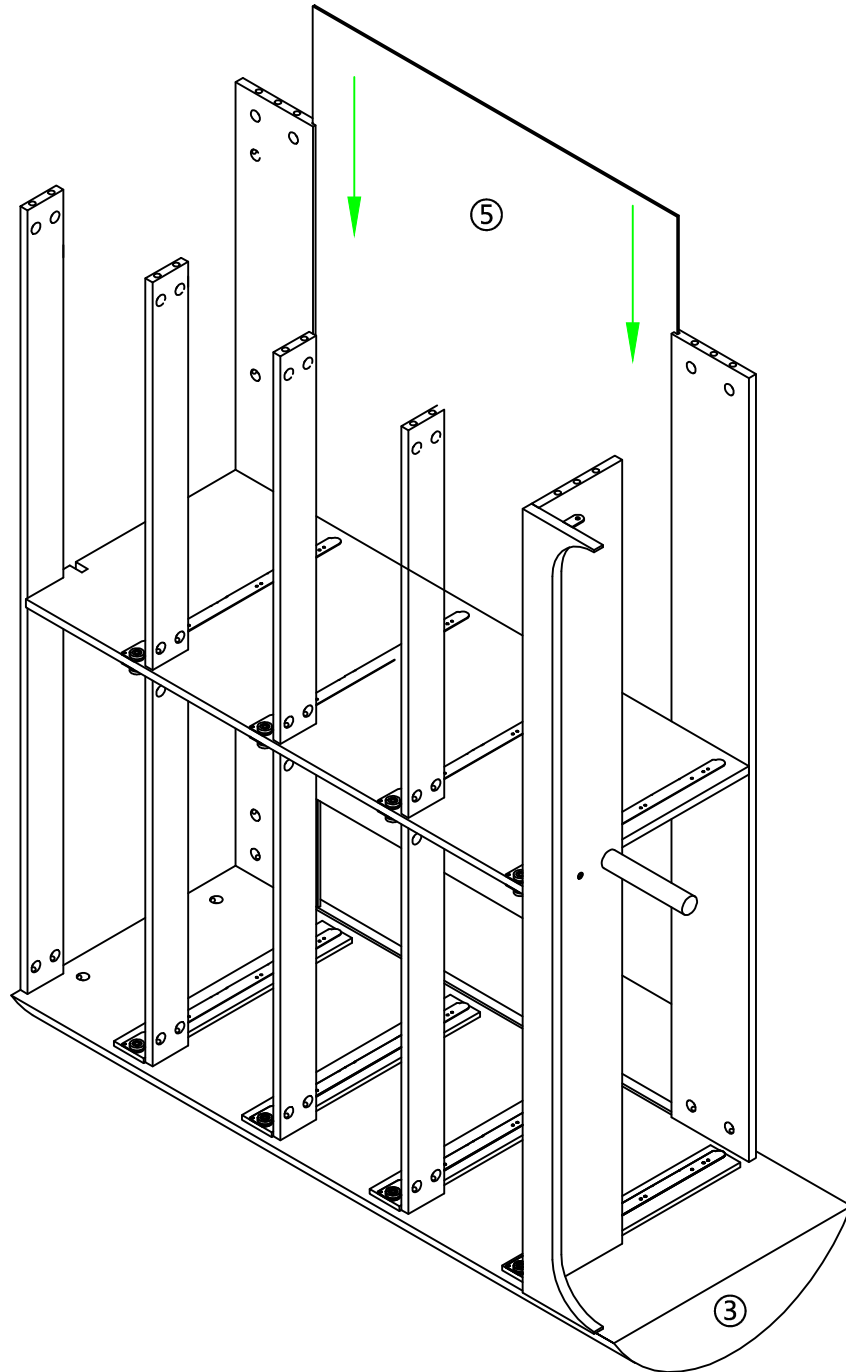




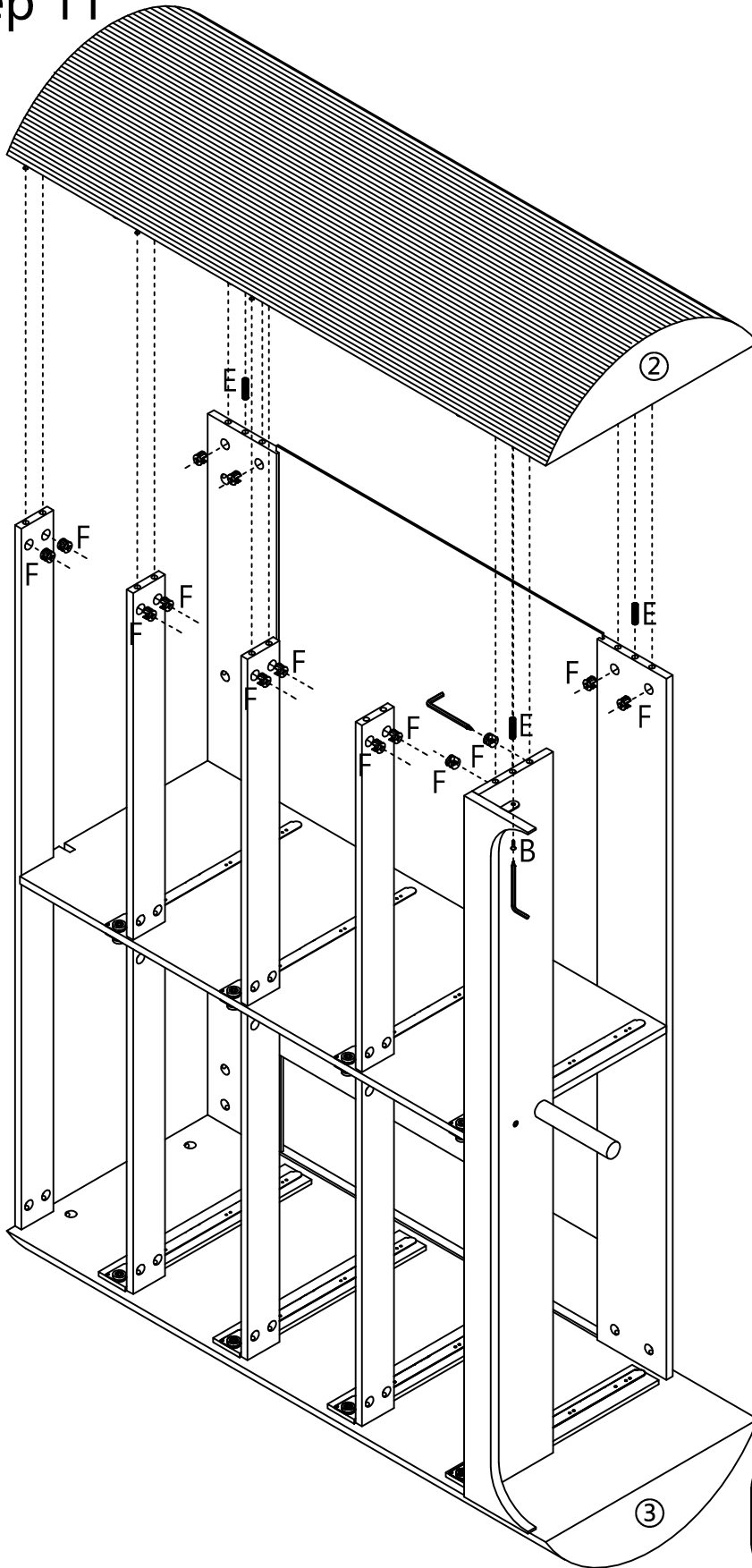
# Step 9






# Step 10

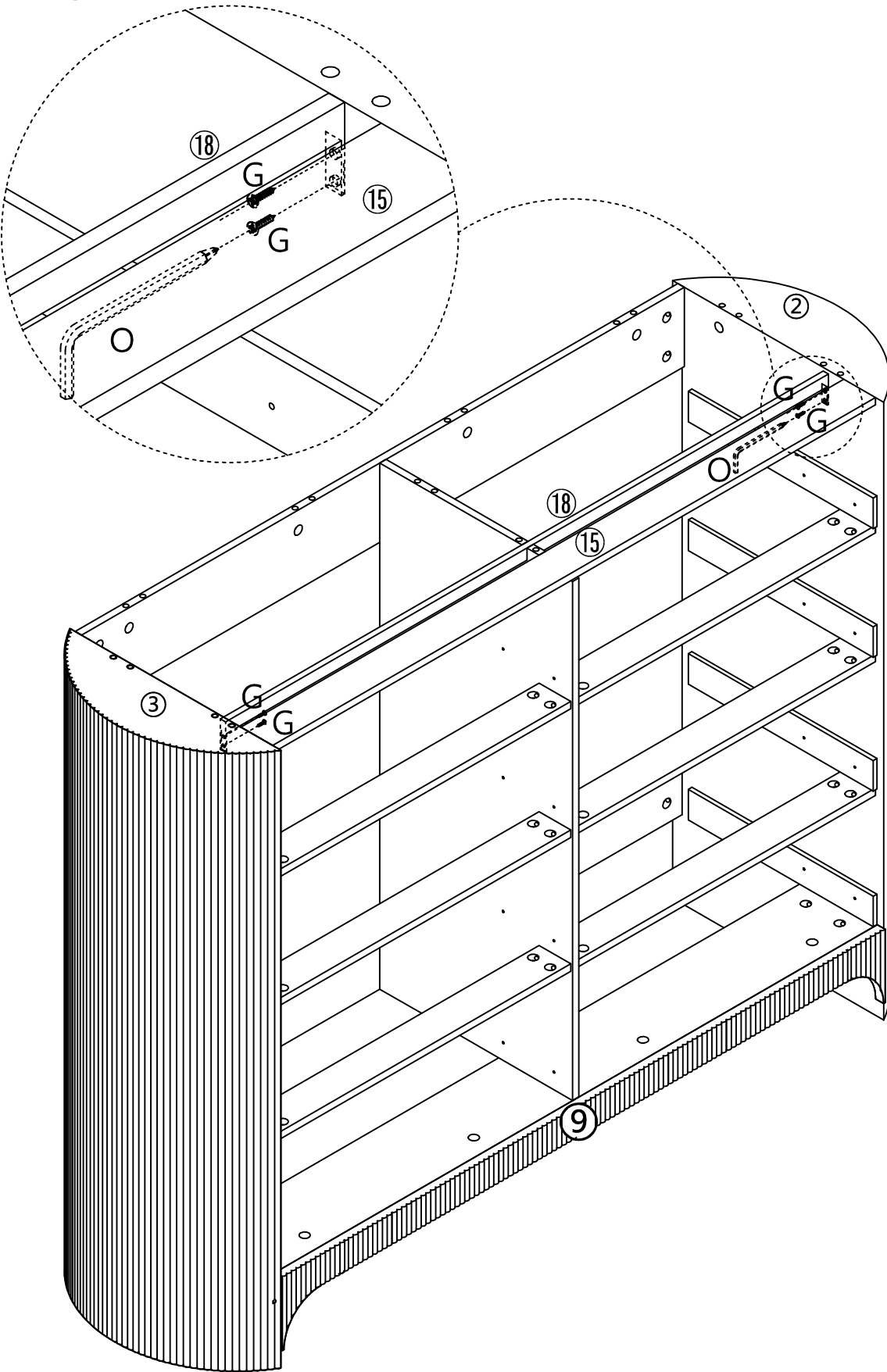


# Step 11



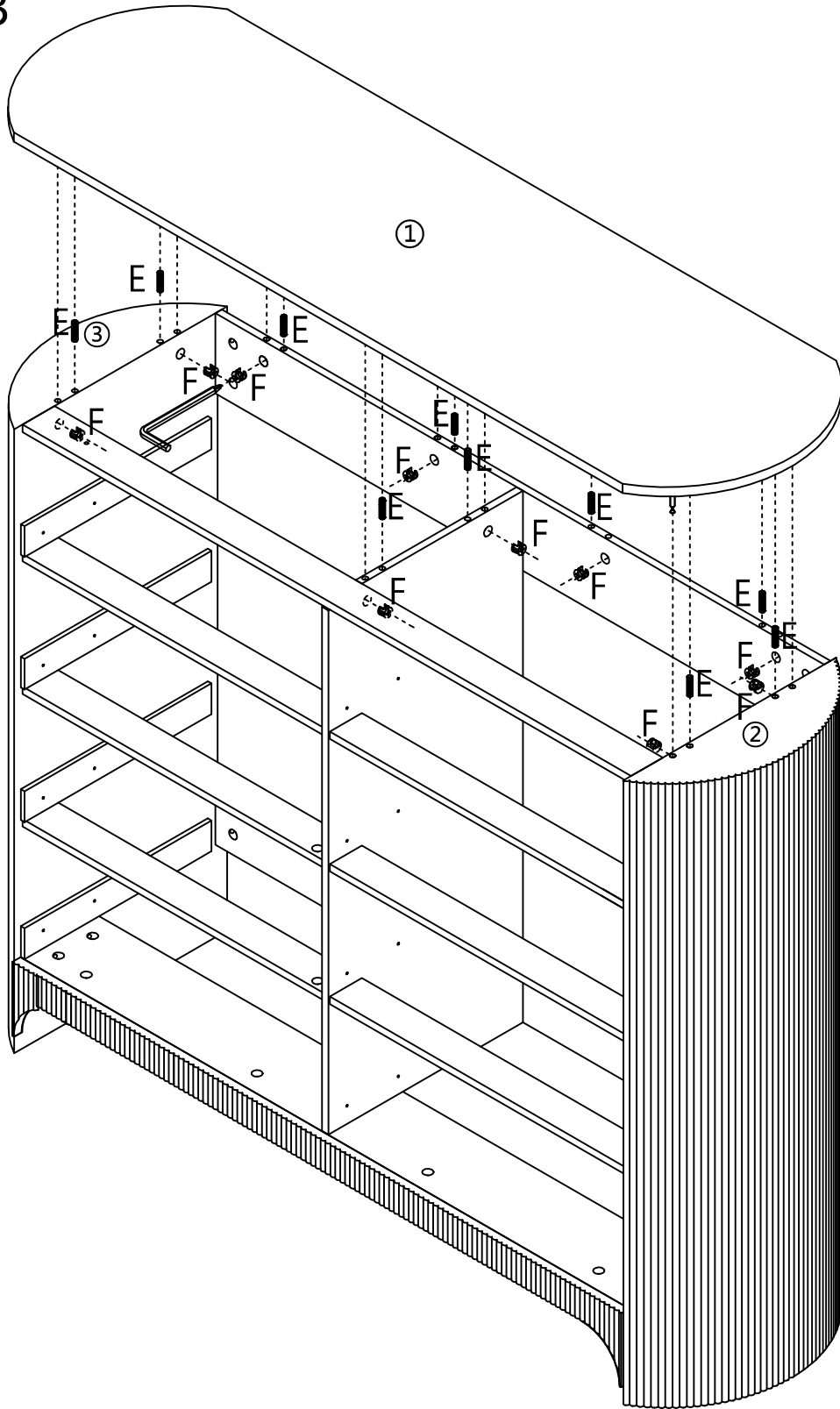
-  B(x1)
-  E(x3)
-  F(x14)



# Step 12



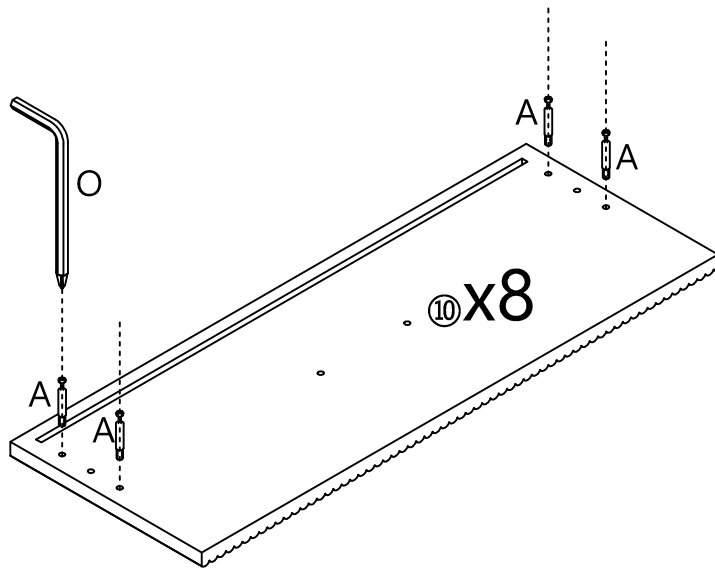
G(x4)

# Step 13

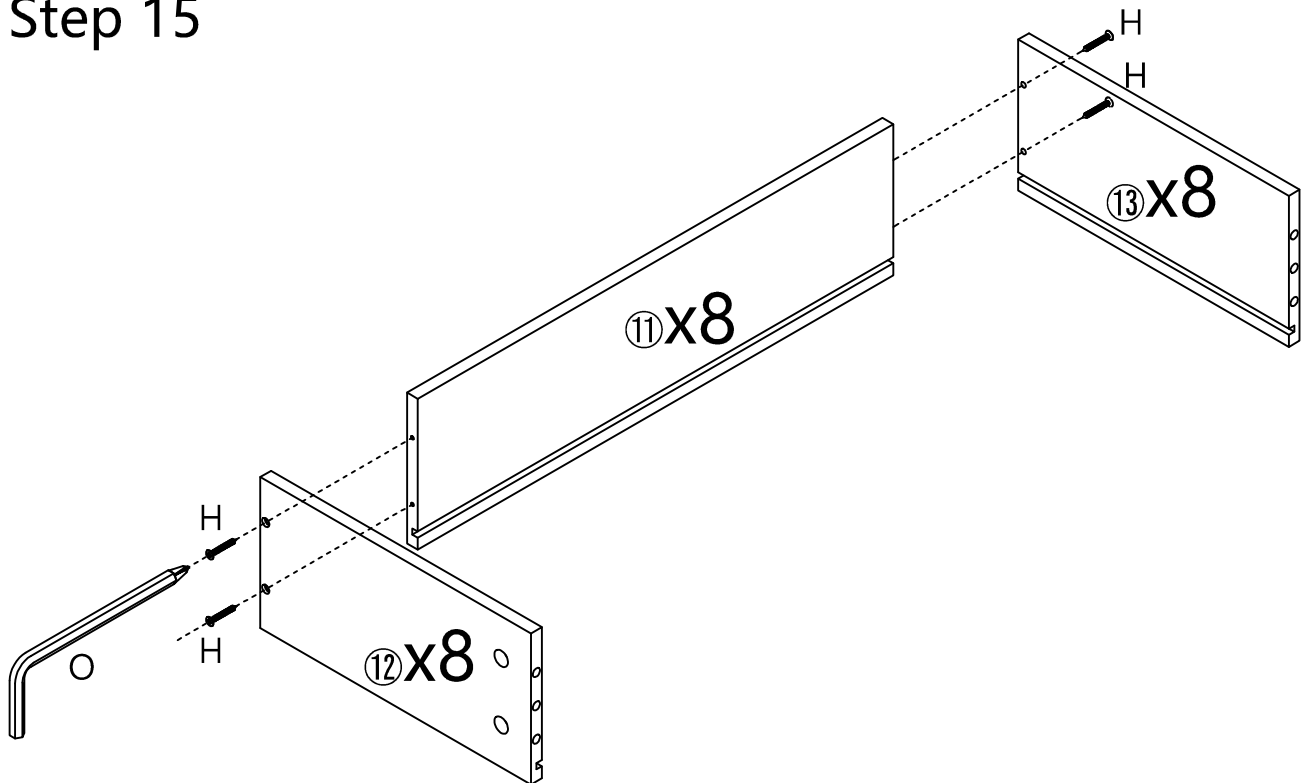


   
E(x10) F(x10)

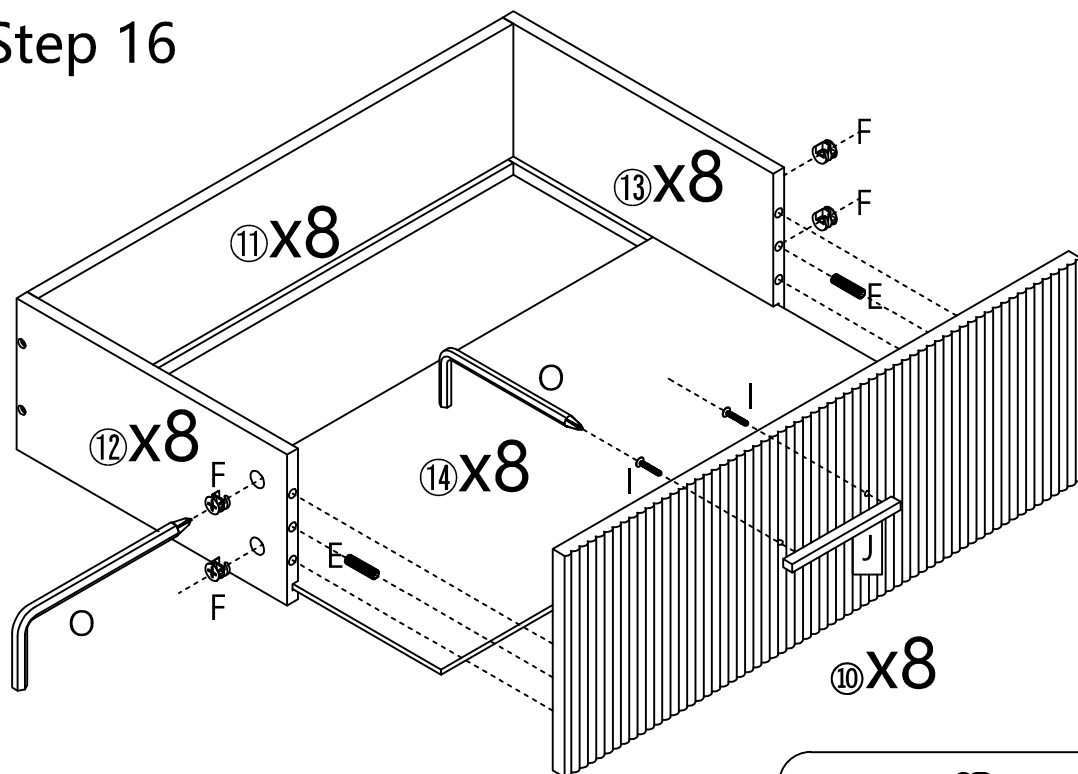
# Step 14



# Step 15

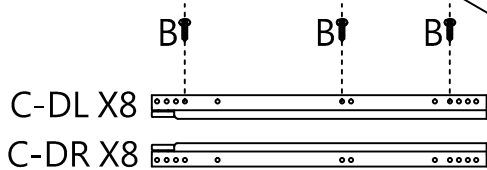
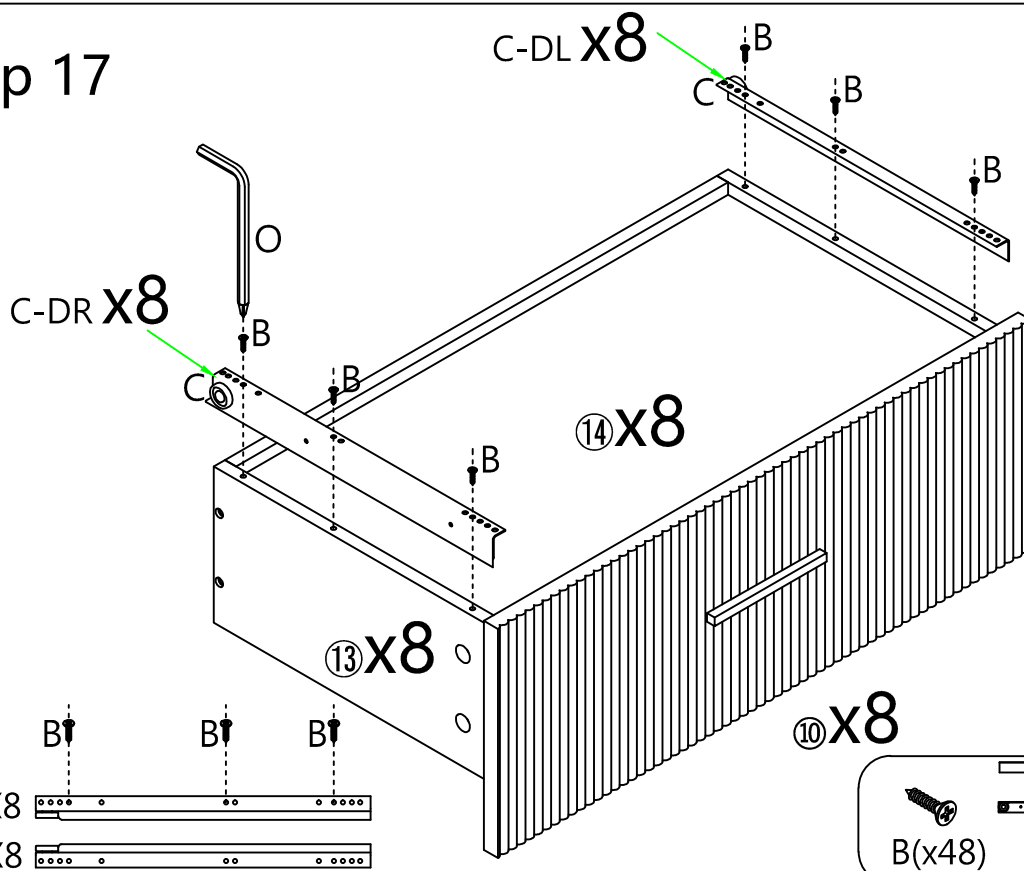


# Step 16



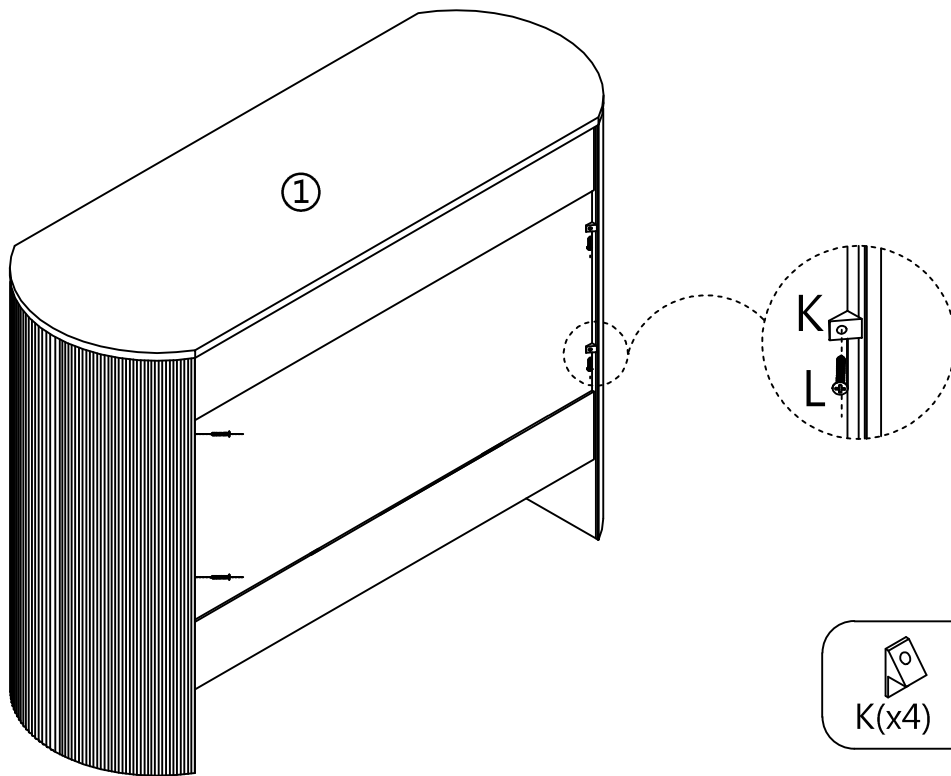
E(x16)	F(x32)	I(x16)	J(x8)

# Step 17

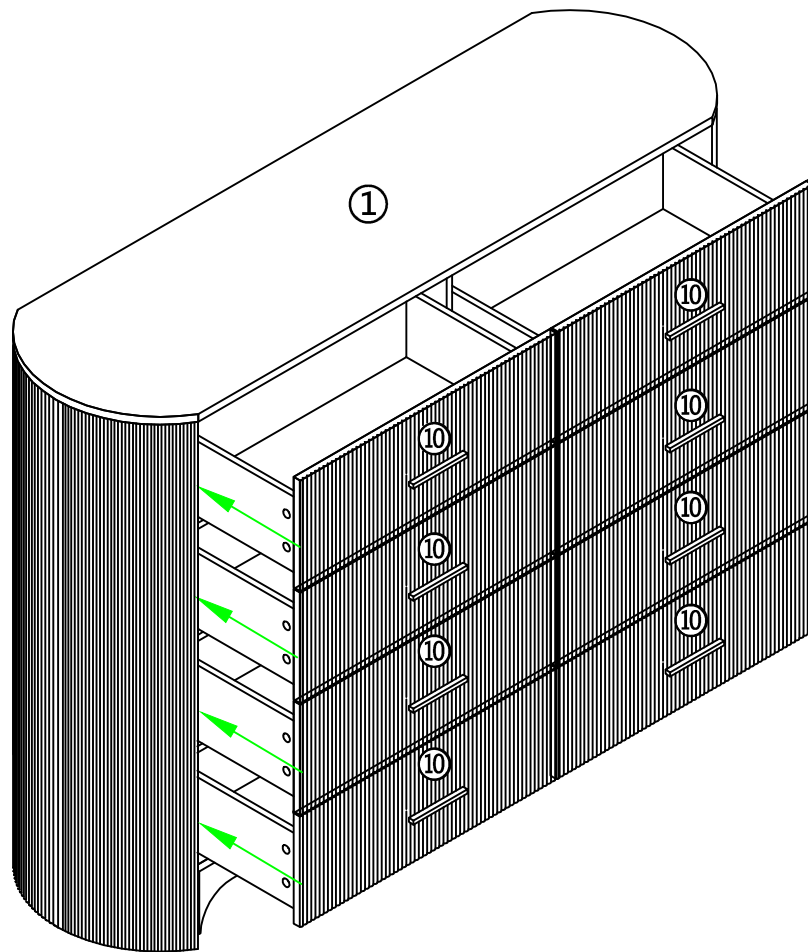


B(x48)	DL
	DR
	C(x8)

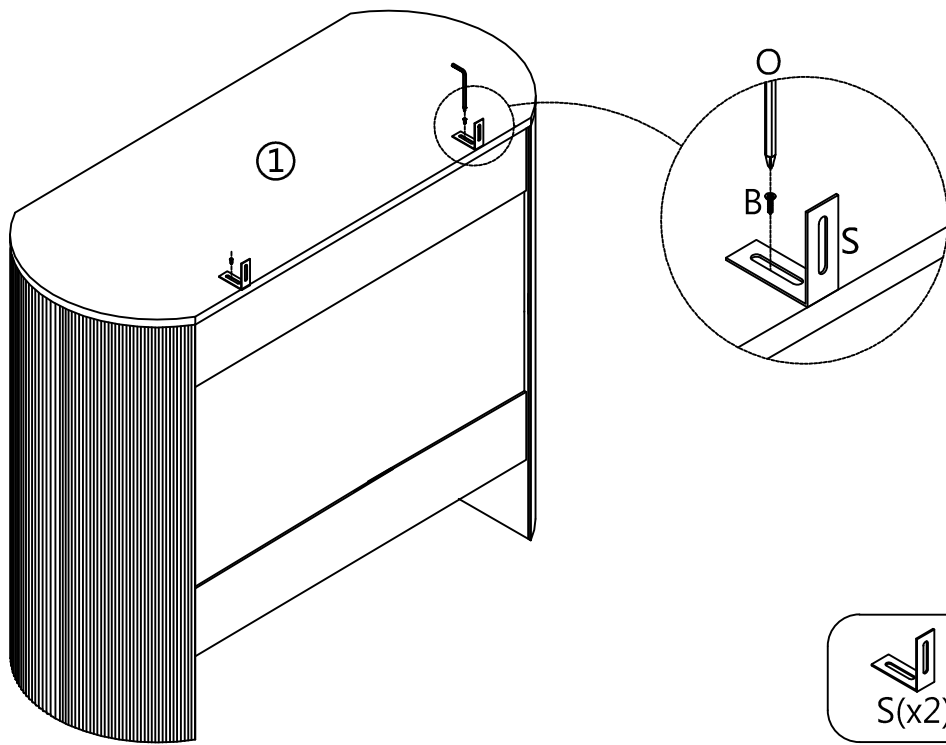
# Step 18



# Step 19



# Step 20



# Step 21

