

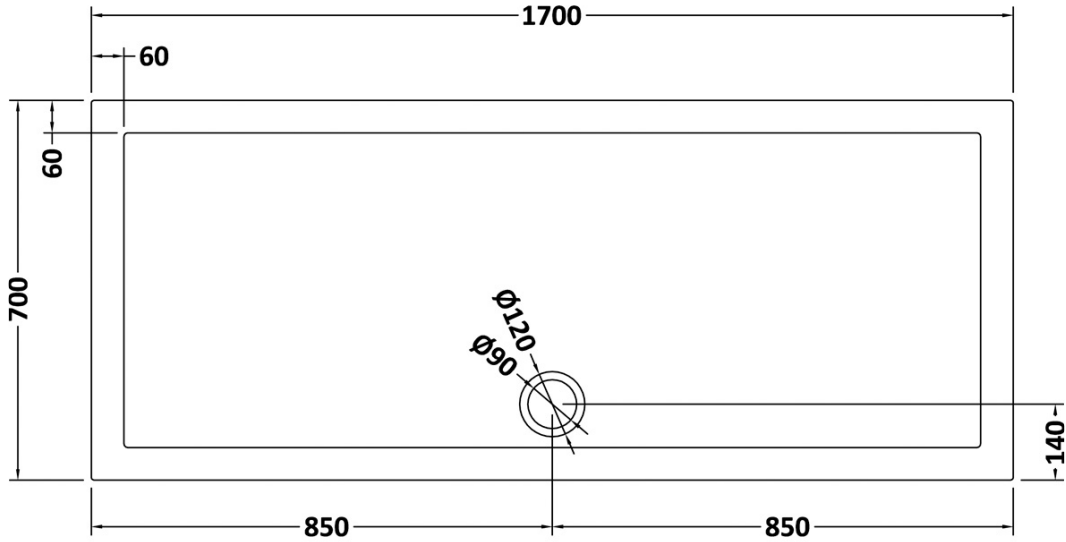
## CUSTOMER DATA SHEET - SHOWER TRAYS

**DESCRIPTION:**

Rectangular Tray 1700X700x40



**1700 x 700 RECTANGULAR TRAY**



**PRODUCT DIMENSIONS**

Length (mm)	Width (mm)	Height (mm)	Nett Wgt Kg
1700	700	40	32.2

**PACKAGING DIMENSIONS**

Length (mm)	Width (mm)	Height (mm)	Gross Wgt Kg
1720	720	60	32.2

**PACKAGING DATA**

Box Colour	Shrinkwrap & Polystyrene		
Box Qty	1	Label Colour	White Label
Label Size	100 x 50	Label Qty	2

**OUTER BOX DIMENSIONS (If Applicable)**

Length (mm)	Width (mm)	Height (mm)	Gross Wgt Kg

**PRODUCT DETAILS**

Country of Origin	United Kingdom
Fitting Instruction	Yes
Product Material	Acrylic Capped ABS Caco3 & Pu
Mat' Colour Ref'	European White
Waste Required	

CE Certification	Yes
Colour/Finish	White
Radius	0
Compatible with Leg Kit	Yes