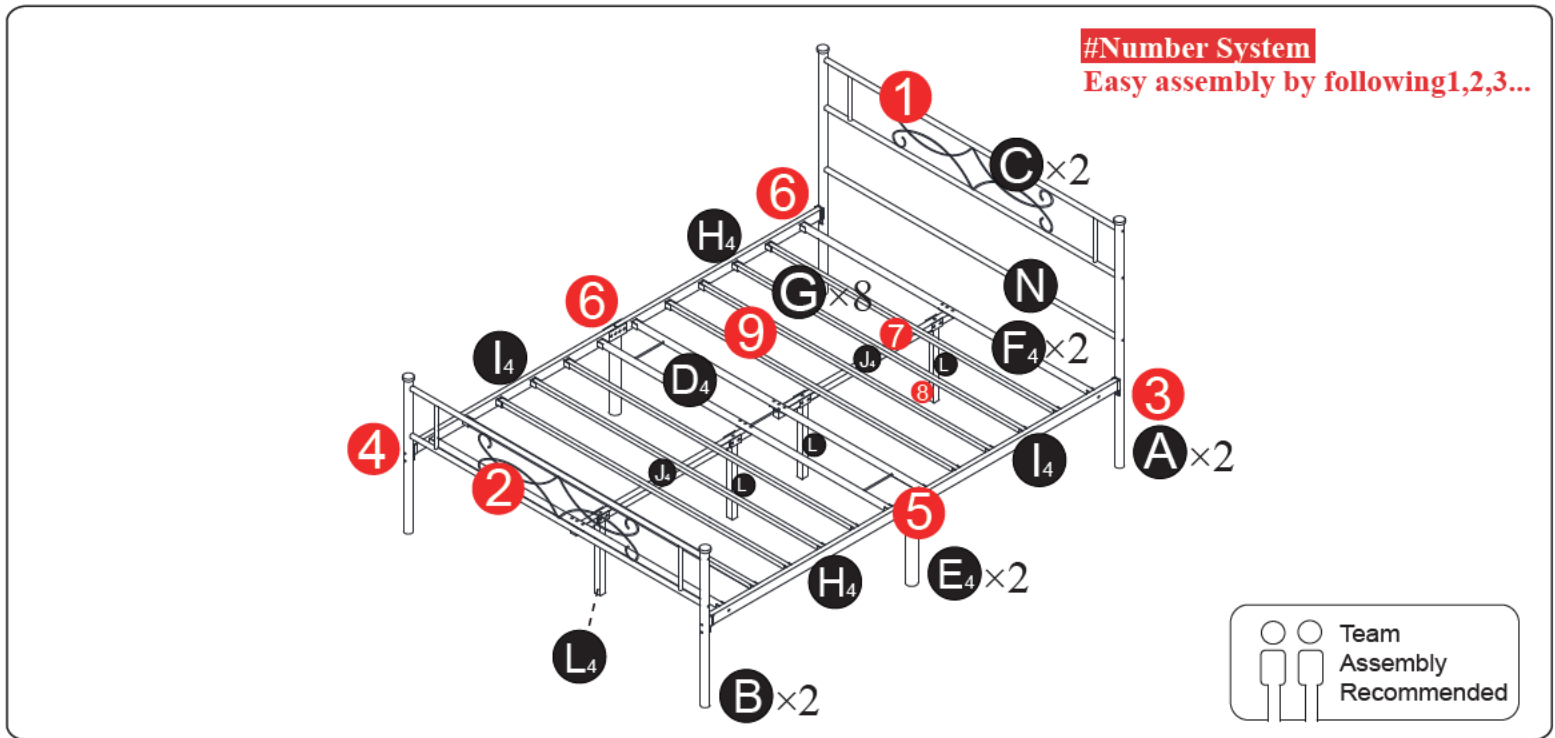
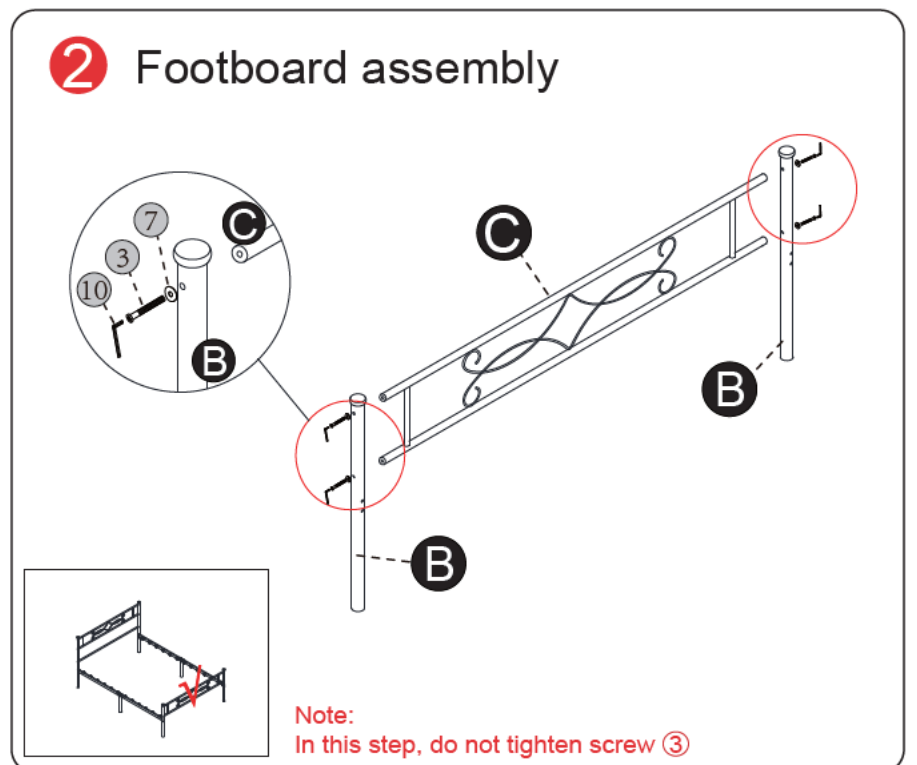
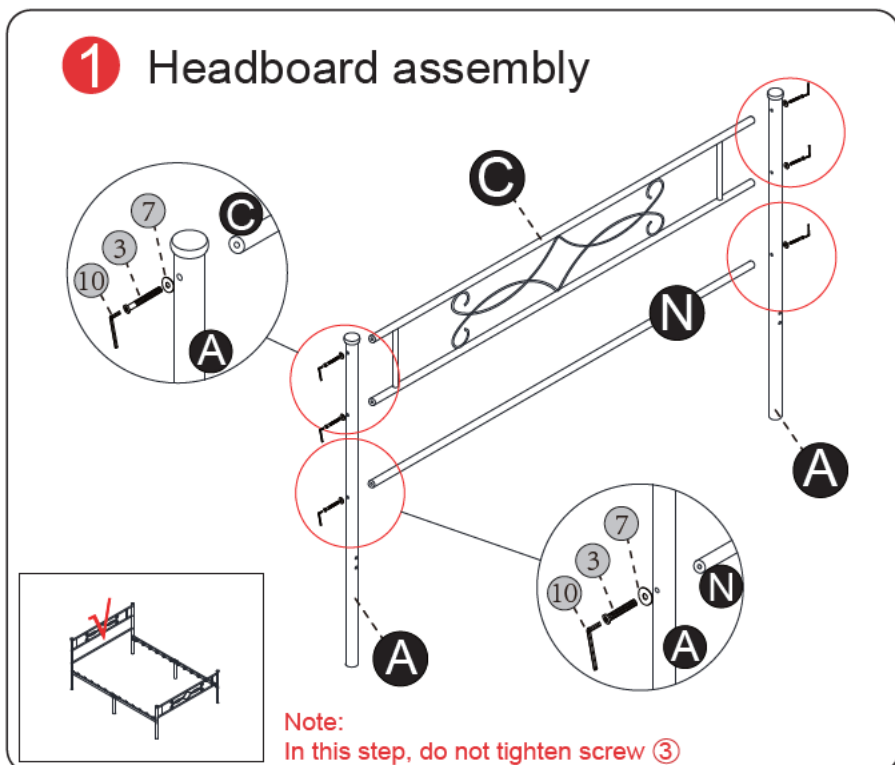


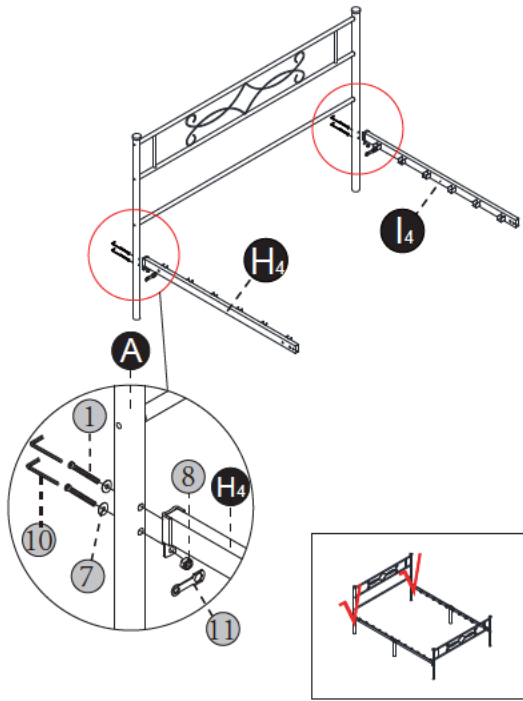
# Bed Frame Installation Manual



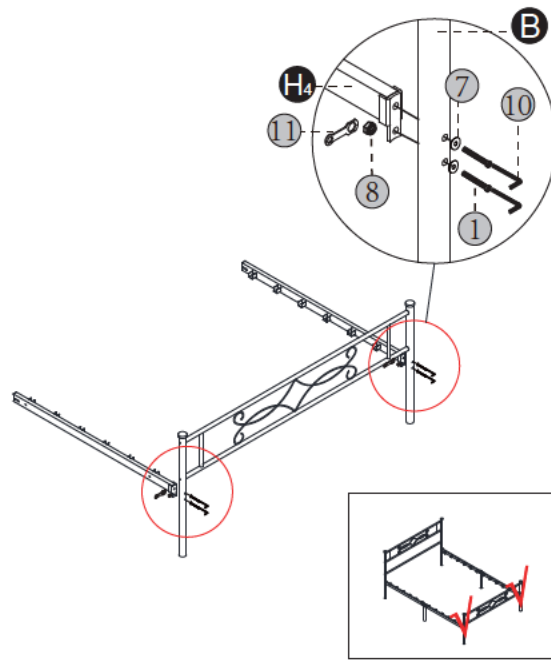
Components		Screws & Tools		
	A x2	①	M8x45mm	x8
	B x2	②	M8x35mm	x8
	C x2	③	M6x60mm	x10
	D x1	④	M6x40mm	x20
	E x2	⑤	M6x30mm	x12
	F x2	⑥	M6x15mm	x4
	G x8	⑦		x18
	H x2	⑧	M8	x12
	I x2	⑨	M6	x16
	J x2	⑩	M5	x1
	L x4	⑪	M13/M10	x1
	N x1			



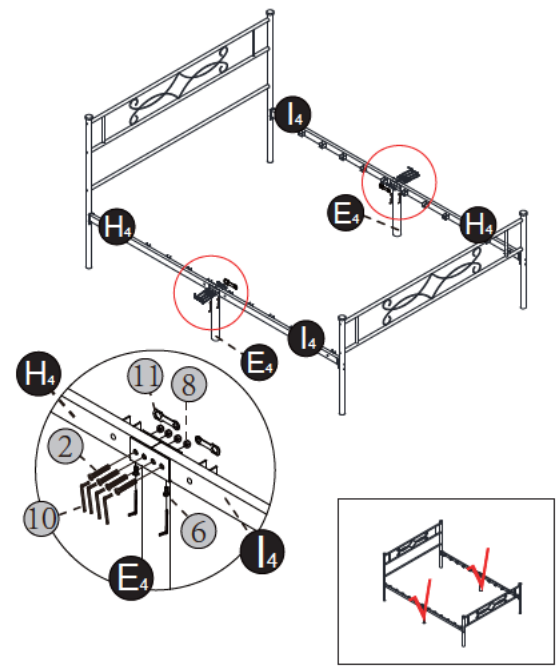
**3** Connect **H<sub>4</sub>** & **I<sub>4</sub>** to headboard



**4** Connect **H<sub>4</sub>** & **I<sub>4</sub>** to footboard

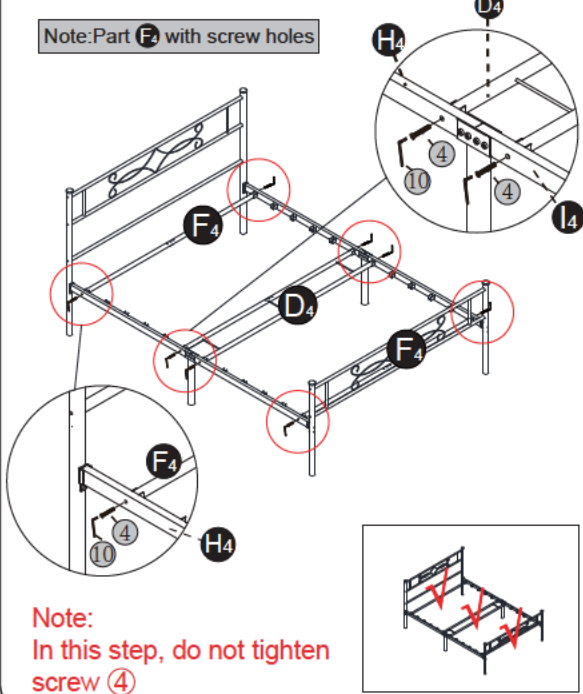


**5** Connect **E<sub>4</sub>** to **H<sub>4</sub>** & **I<sub>4</sub>**



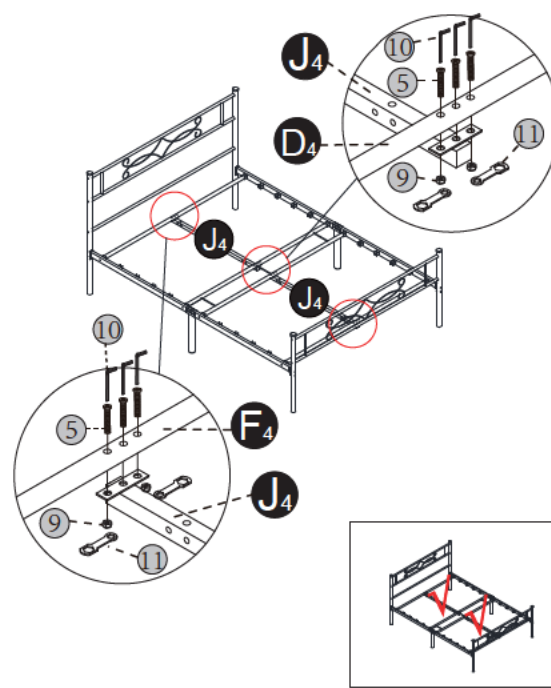
**6** Connect **D<sub>4</sub>** **F<sub>4</sub>** to **H<sub>4</sub>** & **I<sub>4</sub>**

Note: Part **F<sub>4</sub>** with screw holes

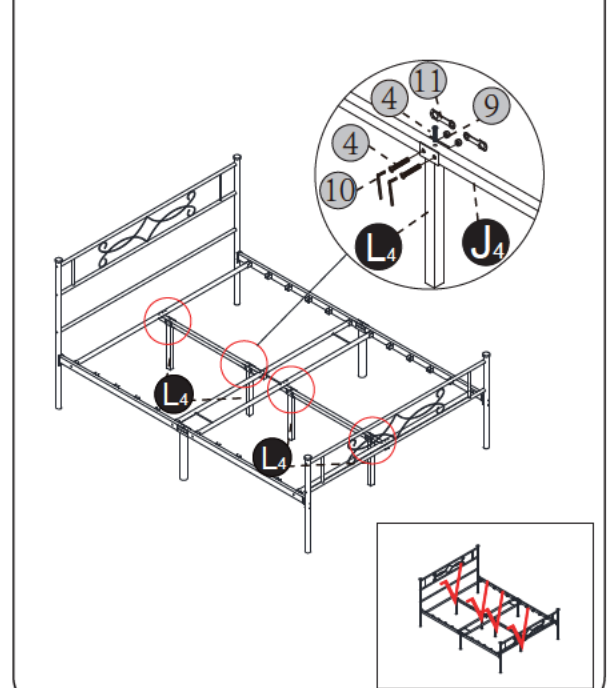


Note:  
In this step, do not tighten  
screw **4**

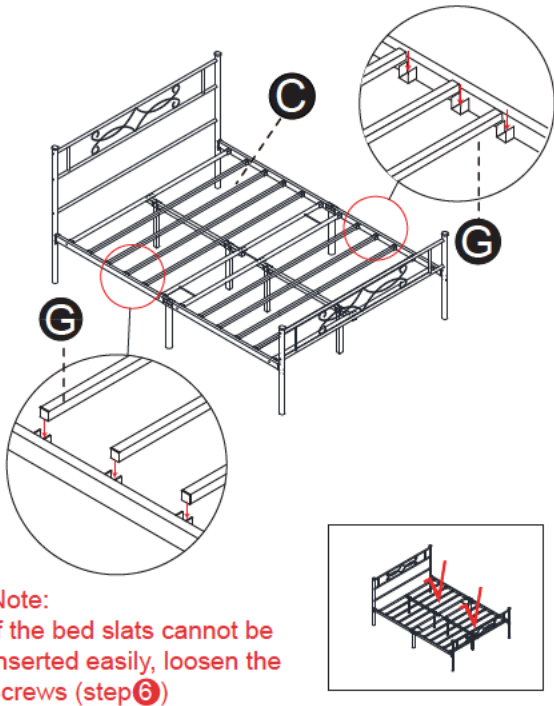
**7** Connect **J<sub>4</sub>** to **D<sub>4</sub>** & **F<sub>4</sub>**



**8** Connect **L<sub>4</sub>** to **J<sub>4</sub>**



**9** Assemble bed slats



Note:  
If the bed slats cannot be  
inserted easily, loosen the  
screws (step **6**)

**10** Check and tighten all screws

