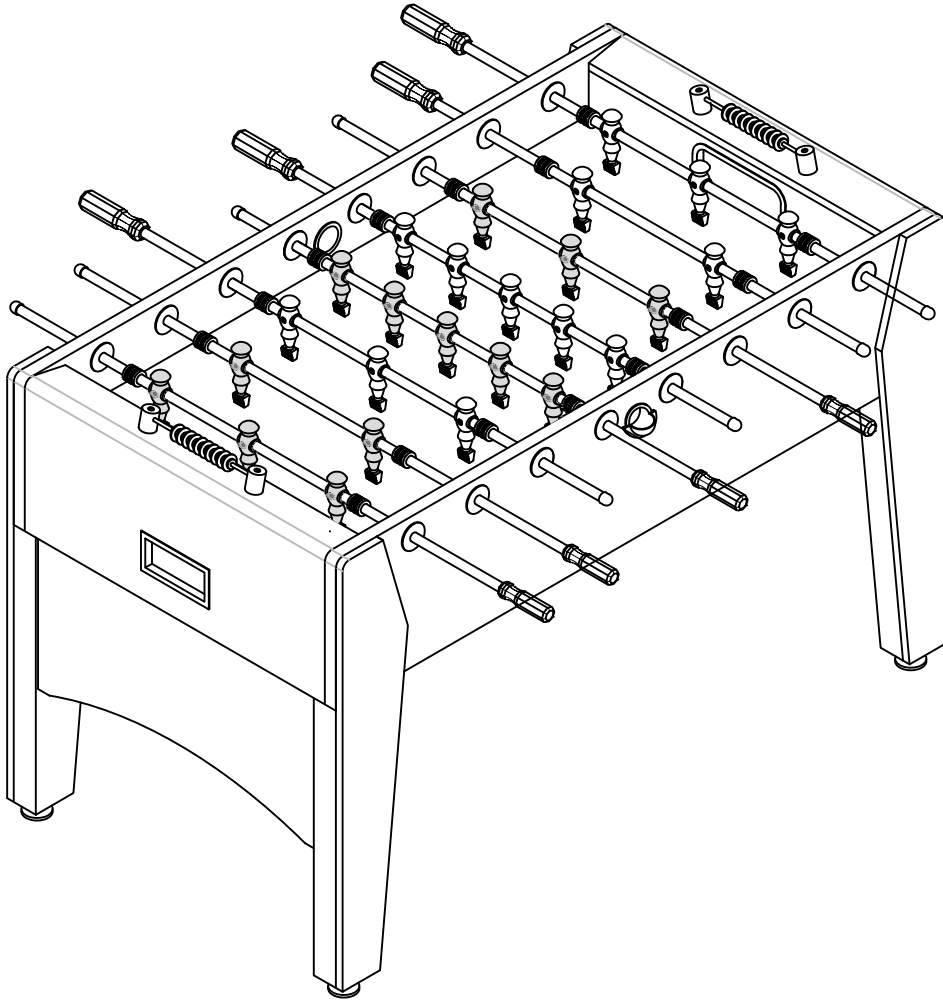
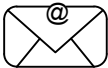


MODLE: GT23016



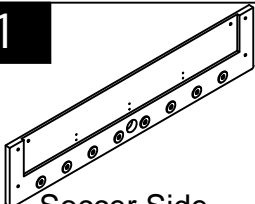
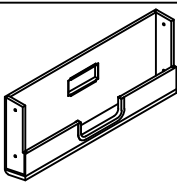
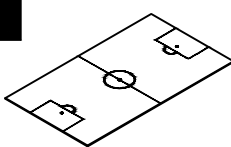
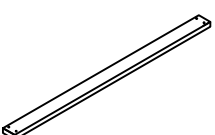
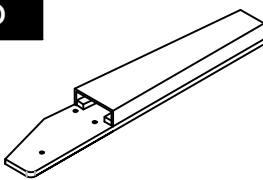
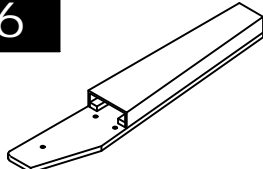
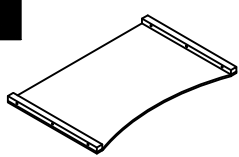
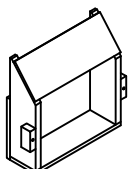
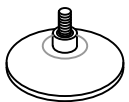
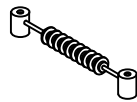


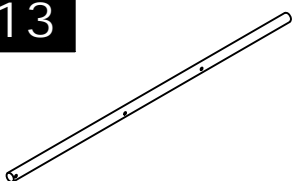
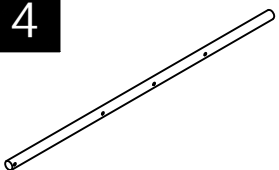
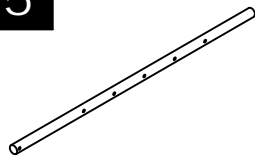


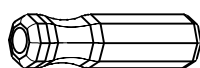
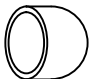

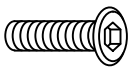
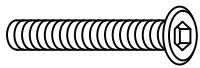

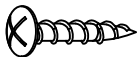
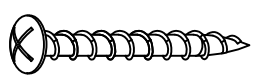

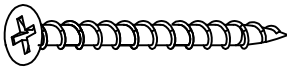
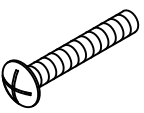
Missing parts, damages, and any other problems, please contact us via email.



raykeepgoods@outlook.com


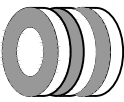
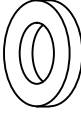

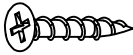
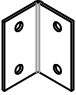
ENGLISH

GT23016 PARTS LIST




<p>1</p>  <p>Soccer Side Panel</p> <p>x2</p>	<p>2</p>  <p>Soccer End Panel</p> <p>x2</p>	<p>3</p>  <p>Soccer Playfield</p> <p>x1</p>	<p>4</p>  <p>Support Brace</p> <p>x3</p>
<p>5</p>  <p>Leg Right</p> <p>x2</p>	<p>6</p>  <p>Leg Left</p> <p>x2</p>	<p>7</p>  <p>Leg Panel</p> <p>x2</p>	<p>8</p>  <p>Ball Catcher</p> <p>x2</p>
<p>9</p>  <p>Leg Leveler</p> <p>x4</p>	<p>10</p>  <p>Scorer</p> <p>x2</p>	<p>11</p>  <p>Ball Entry Cup</p> <p>x2</p>	<p>12</p>  <p>ball entry cup socket</p> <p>x2</p>
<p>13</p>  <p>2-Players Rod</p> <p>x2</p>	<p>14</p>  <p>3-Players Rod</p> <p>x4</p>	<p>15</p>  <p>5-Players Rod</p> <p>x2</p>	<p>16</p>  <p>Player -White</p> <p>x13</p>
<p>17</p>  <p>Player -Black</p> <p>x13</p>	<p>18</p>  <p>Handle</p> <p>x8</p>	<p>19</p>  <p>Rod End Cap</p> <p>x8</p>	<p>20</p>  <p>Soccer ball</p> <p>x2</p>
<p>A1</p>  <p>1/4"x1" Bolt</p> <p>x4</p>	<p>A2</p>  <p>1/4"x1-7/8" Bolt</p> <p>x8</p>	<p>A3</p>  <p>1/4" Washer</p> <p>x12</p>	<p>A4</p>  <p>4x12mm Screw</p> <p>x24</p>
<p>A5</p>  <p>4x35mm Screw</p> <p>x16</p>	<p>A6</p>  <p>3x25mm Screw</p> <p>x16</p>	<p>A7</p>  <p>4x45mm Screw</p> <p>x4</p>	<p>A8</p>  <p>5/32"x1-1/8" Bolt</p> <p>x26</p>

ENGLISH

GT23016 PARTS LIST

A9  5/32" Lock Nut x26	A10  Rubber Bushing x16	A11  Rod Washer x16	A12  Wrench x1
A13  4x15mm Screw x2	A14  Angle Iron x6		

GT23016 PRE-INSTALLED PARTS

P1  Bearing-A x16	P2  Bearing-B x16	P3  Nut x12
--	--	---

ENGLISH

ASSEMBLY INSTRUCTIONS:

1. Find a clean, level place to begin the assembly of your Table. The table will be assembled upside down and then turned over on its legs once the assembly completed.
2. Remove all the parts from the box and verify that you have all of the listed parts as shown on the parts list Carefully cut or tear the four corners of the box so that the bottom of the box can be used as your work surface.

1		x1
2		x2
5		x1
6		x1
A1		x2
A2		x4
A3		x6
P1		x16
P2		x16
P3		x12

Fig 1

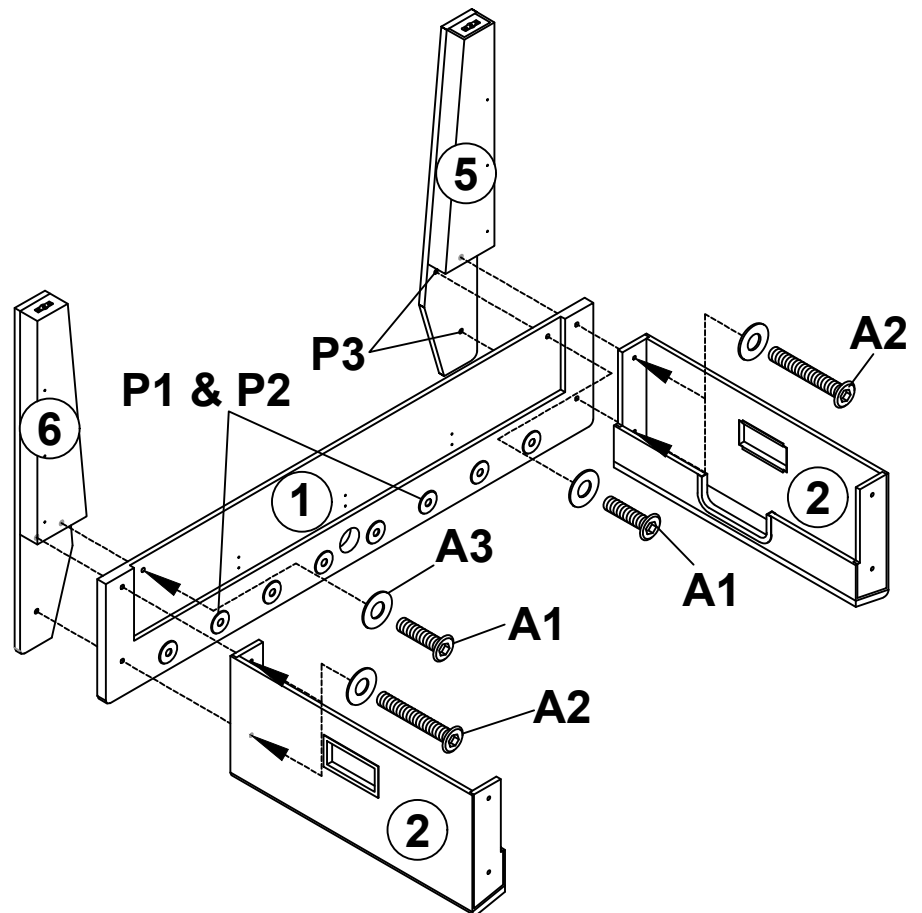


Fig 1

3. Attach one Leg Right(5) and one Leg Left(6) and one Soccer Side Panel (1) to the Soccer End Panels (2) using two Bolts (A1) and four Bolts (A2) and six Washers as shown in Fig.1.
Note: Do not tighten the Screws at this time.

ENGLISH

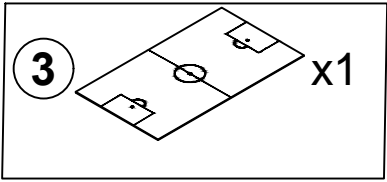


Fig 2

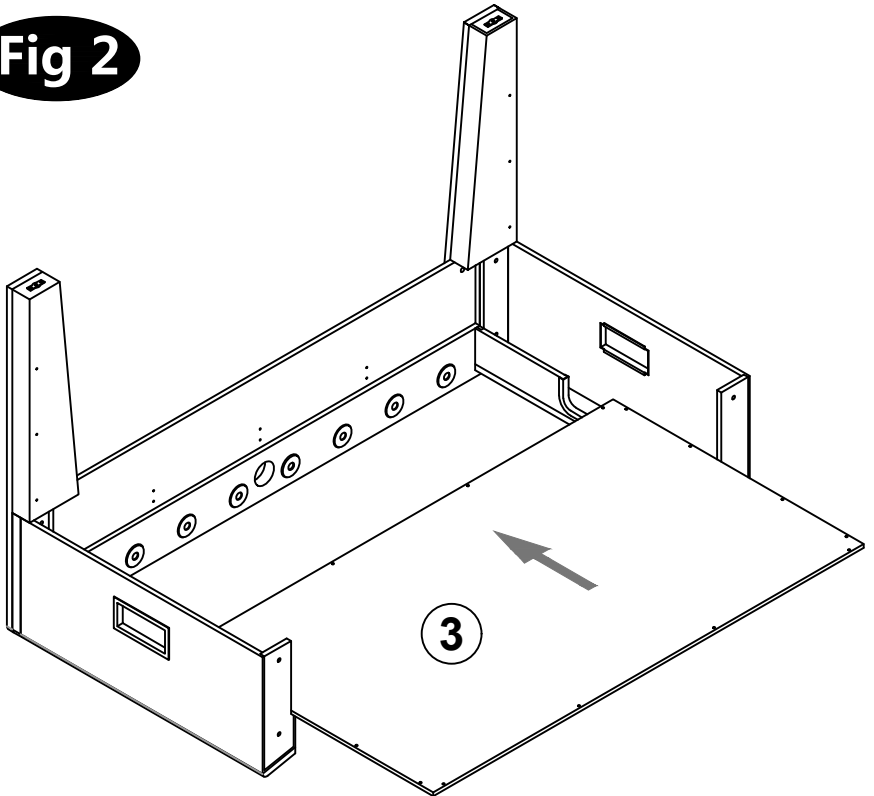


Fig 2

4. Slide the Soccer Playfield (3) into the groove on the Soccer Side Panel (1) and the Soccer End Panel (2) with graphics facing down . See FIG. 2.

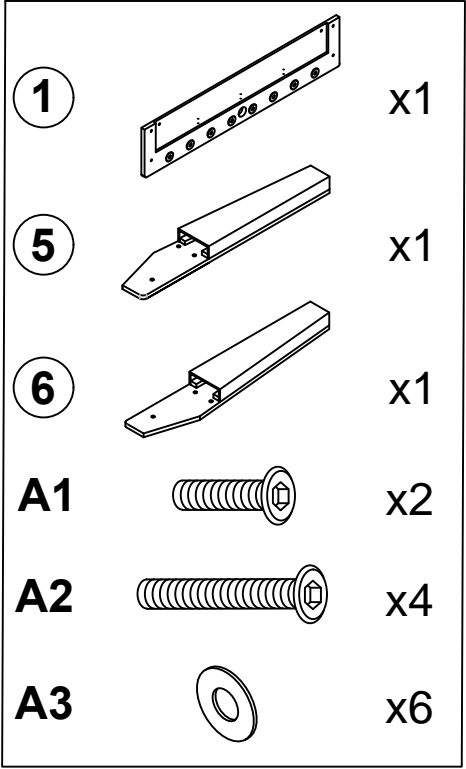


Fig 3

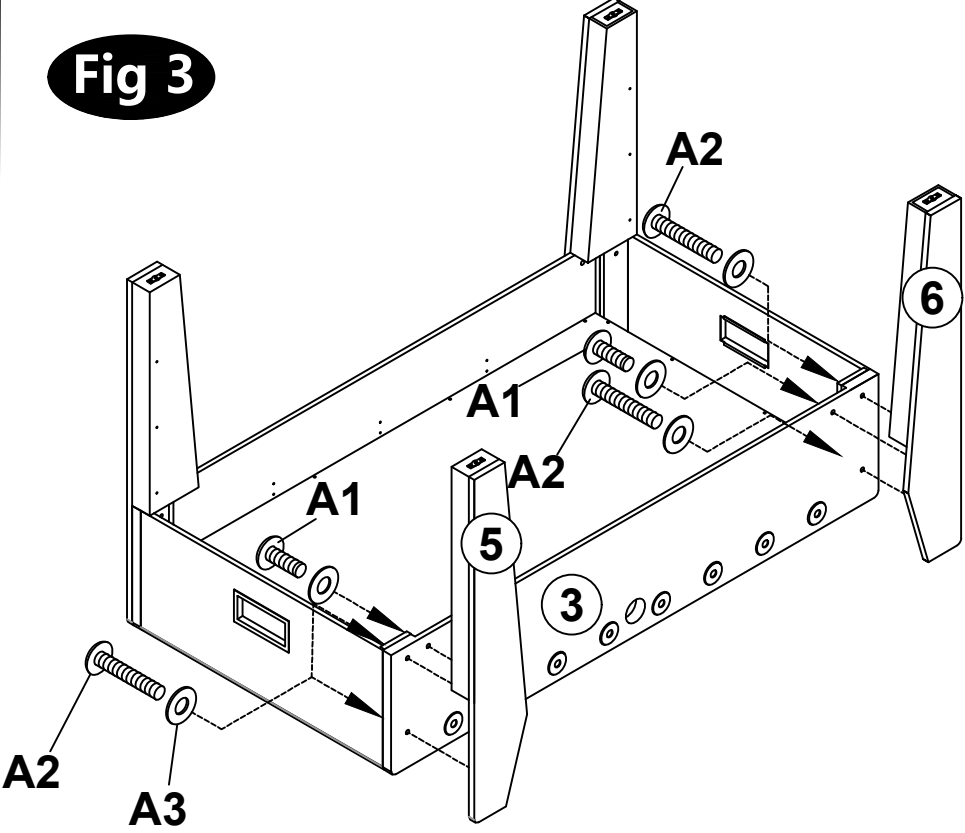


Fig 3

5. Attach one Leg Right(5) , one Leg Left(6) and other Soccer Side Panel (1) to the Soccer End Panels (2) using two Bolts (A1) and four Bolts (A2) and six Washers as shown in Fig.3.
Note: Do not tighten the Screws at this time.

ENGLISH

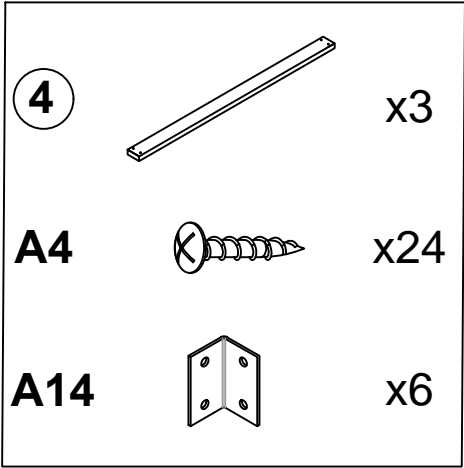


Fig 4

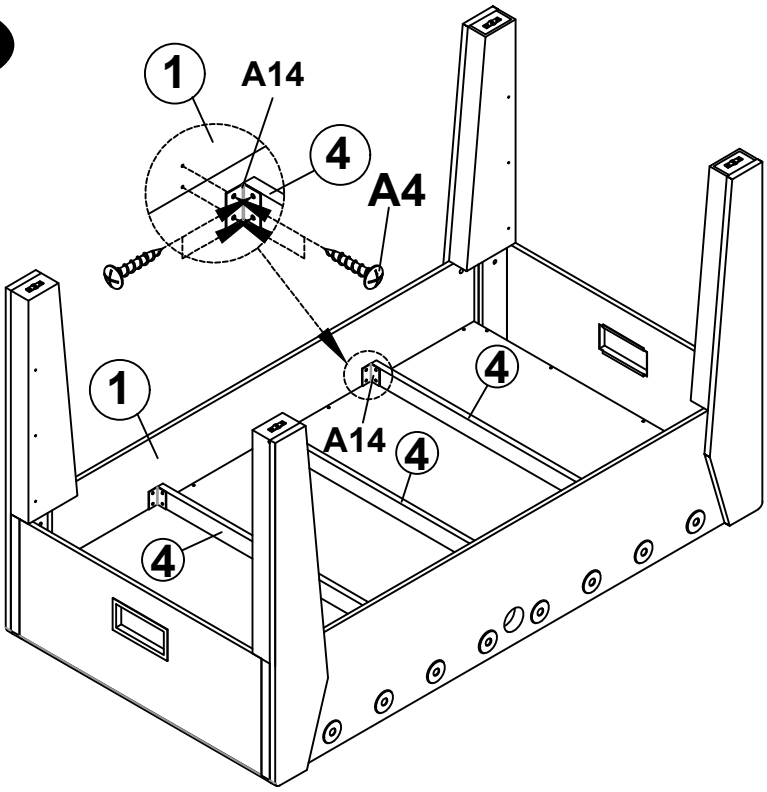


Fig 4

6. Attach the Angle Iron(A14) to the Support Brace (4) using Screws (A4), then Place the Support Brace (4) on the Soccer Play field (3), and attach it to the Soccer Side Aprons (1) using Screws (A4) See the FIG. 4..

Now go back and tighten the Bolts (A1 & A2) securely

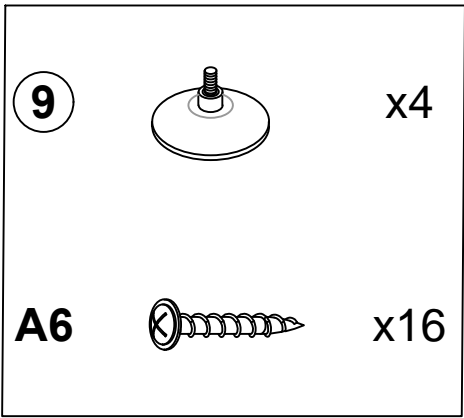


Fig 5

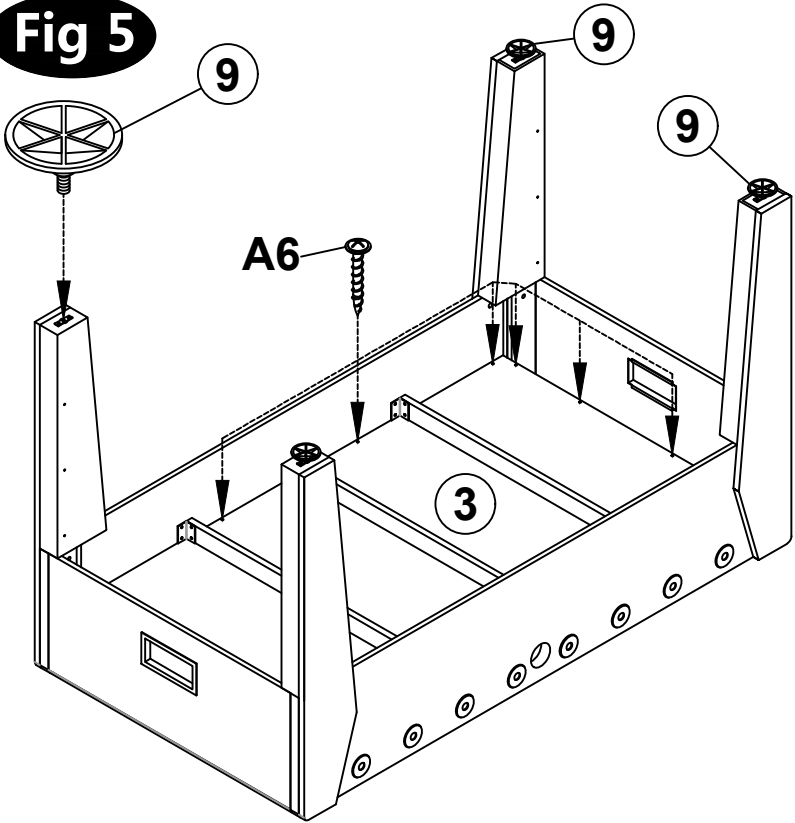


Fig 5

7. attach play field to the Side Panels (1) and the End Panels (2) using sixteen Screws (A5) as shown in FIG.4 .
 8. Screw the Leg Levelers (9) into the bottom of each Leg (5 & 6).

ENGLISH

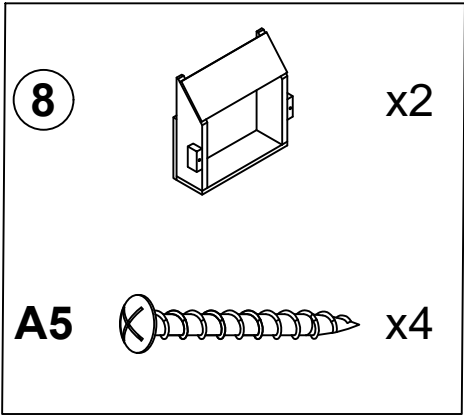


Fig 6

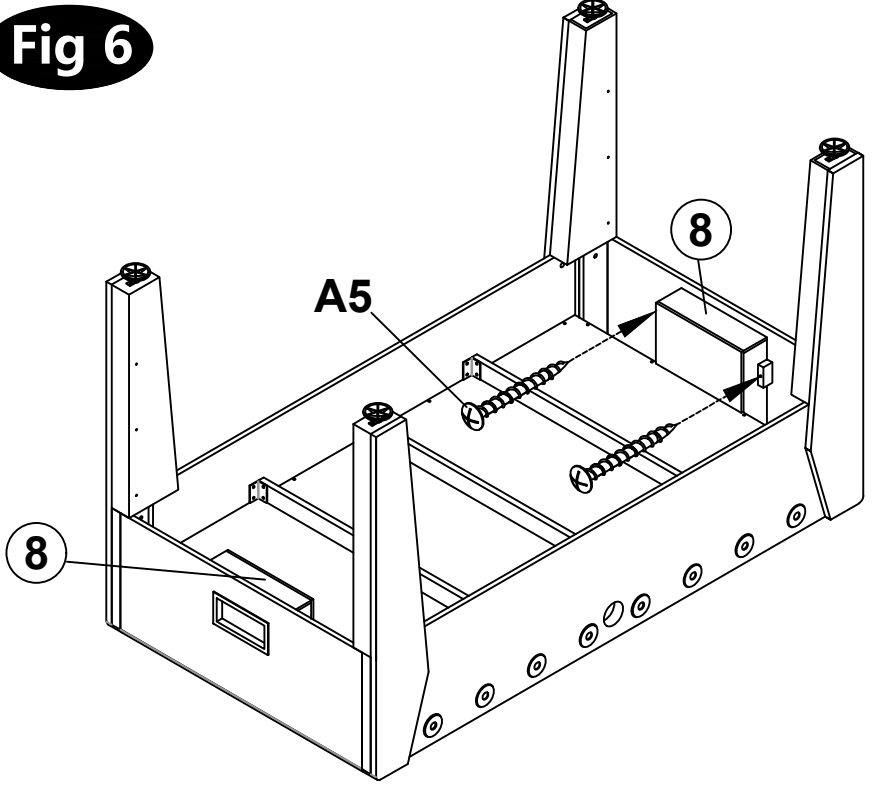


Fig 6

9. Place the Ball Catchers (8) over the holes in the End Panels (2) and tighten using Screws (A5). see FIG.6 .

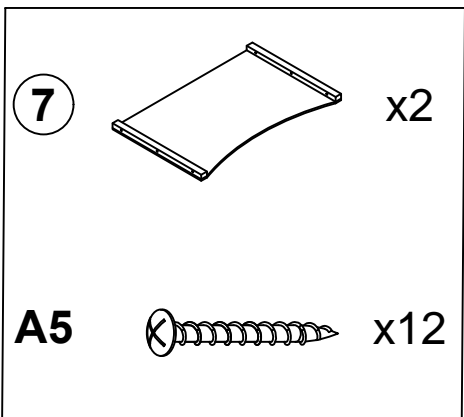


Fig 7

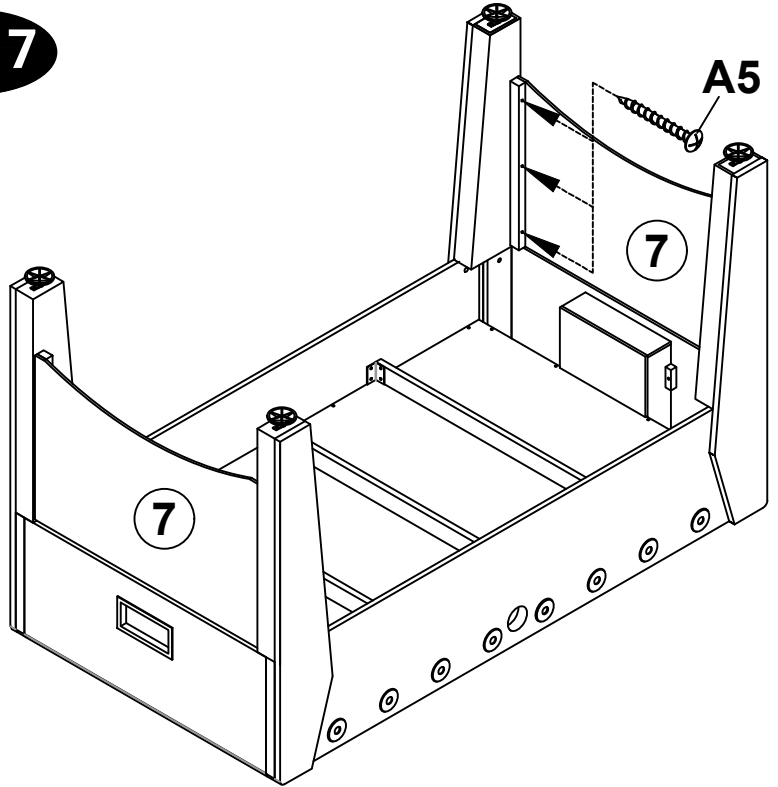


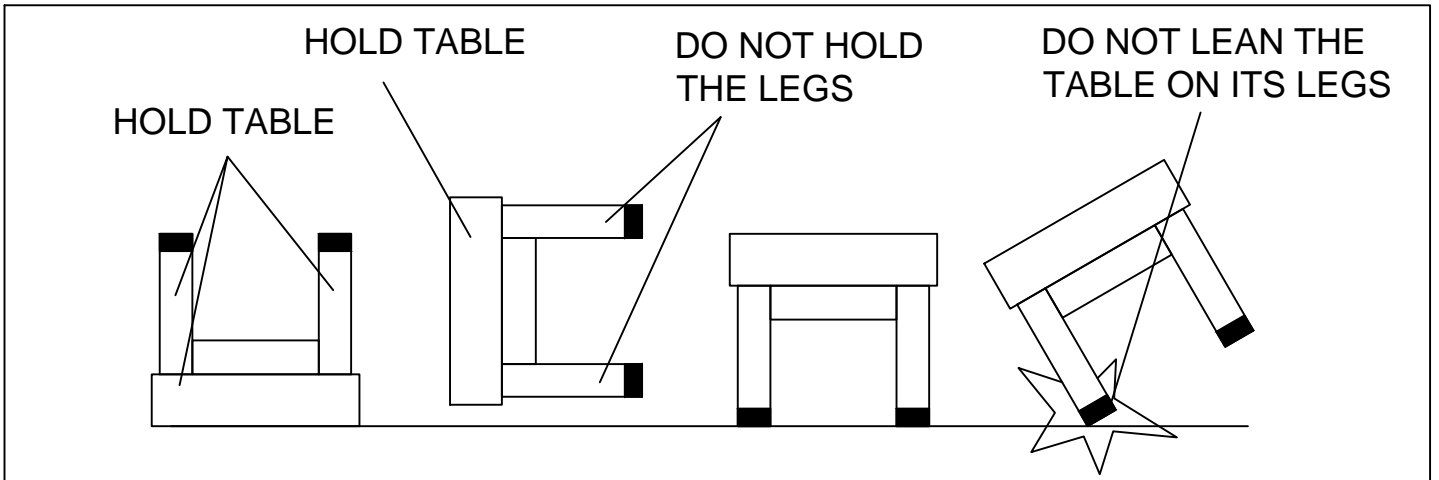
Fig 7

10. Attach the Leg Panel (7) to the Leg (5 & 6) using six Screws (A5) per Leg Panel. See FIG. 7.

ENGLISH

11. Lift the table assembly from the floor with two adults, turn it over, and set the table on its leg in the location where you will play.

Go back and make sure that all connections are tight.



CAUTION: Two strong adults are recommended to turn the table over as shown.

1. Lift the table off the ground.
2. Turn the table over.
3. Place it on all four feet at the same time on the ground.

Fig 8

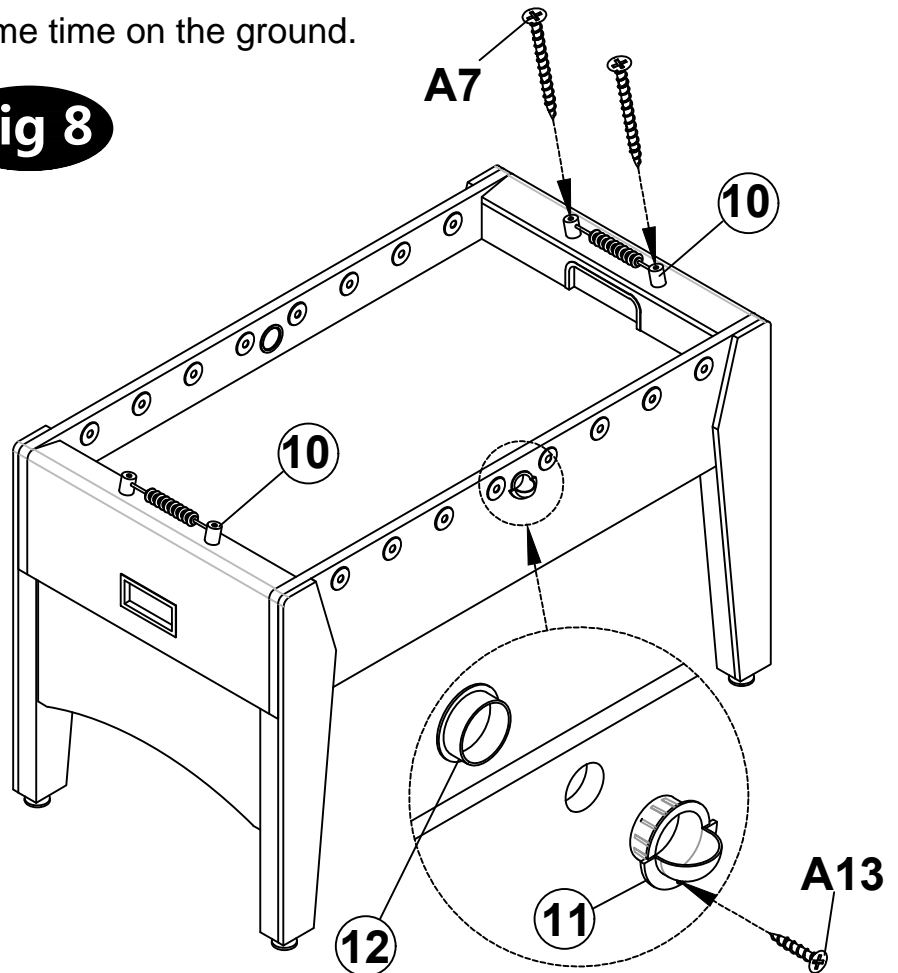
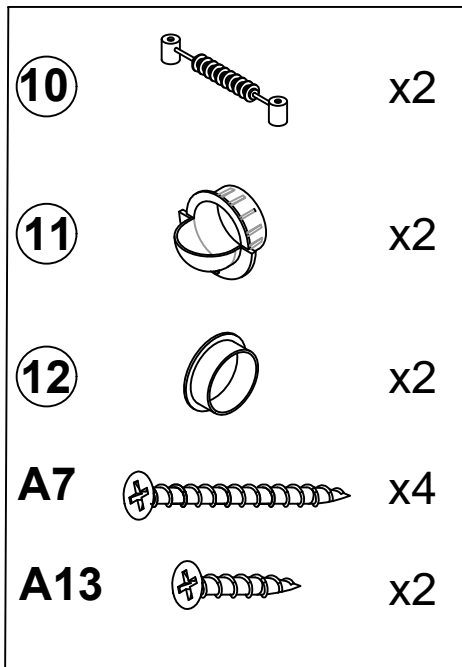


Fig 8

11. Attach Ball entry cups(11) and ball entry cup socket(12) to the side panels with Screws (13) as shown in FIG.8.

12. Attach the two sets of Scorer(10) to the End Panels(2) with Screws (7).

ENGLISH

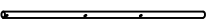



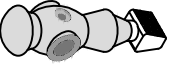
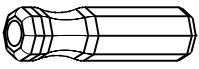
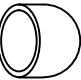
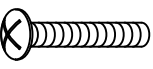



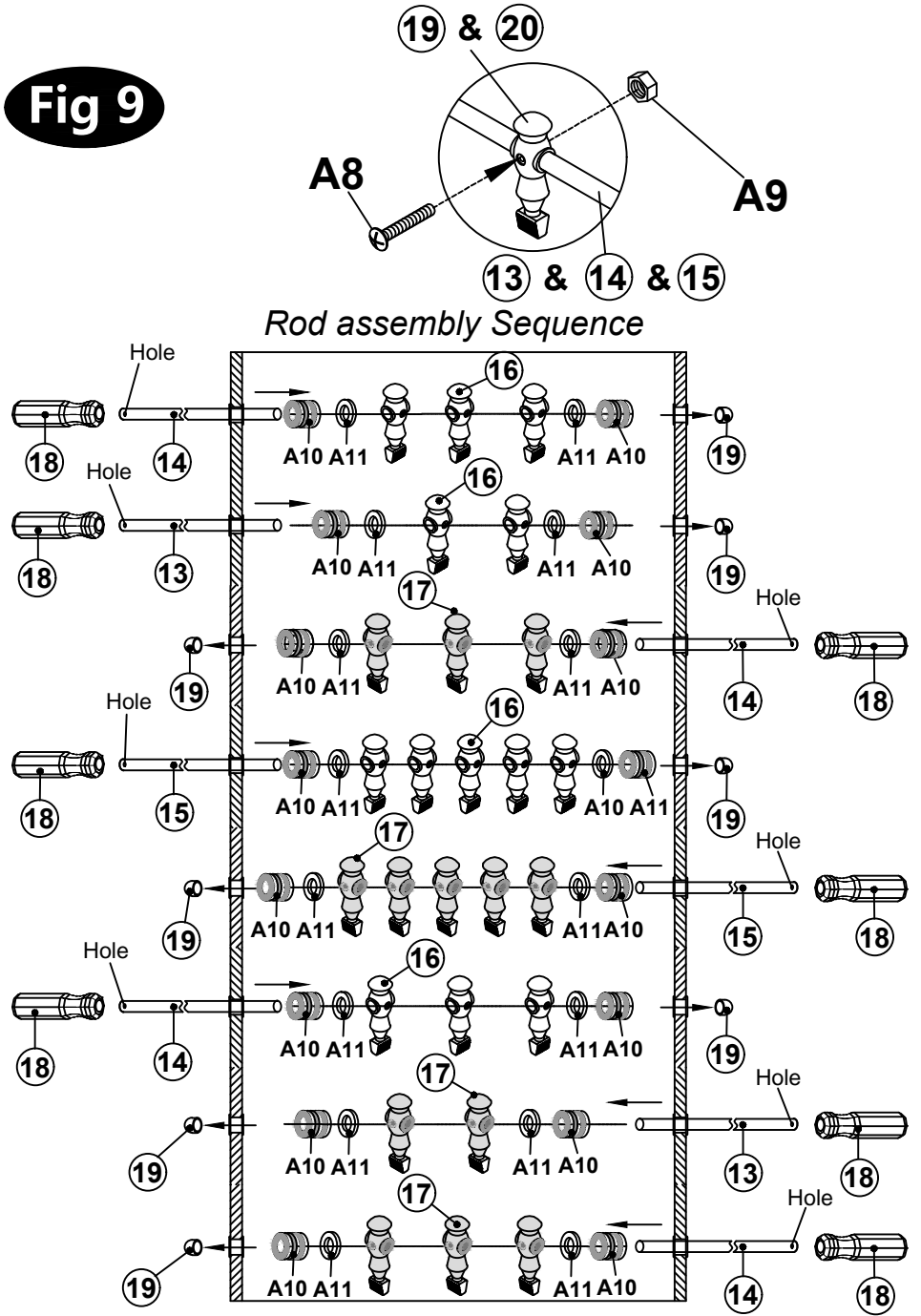
13		x2
14		x4
15		x2
16		x13
17		x13
18		x8
19		x8
A8		x26
A9		x26
A10		x16
A11		x16

Fig 9

Fig 9



24. Push a Handle (18) onto each of the Player Rod(13&14&15) at the end of the rod where there is a hole as indicated in FIG. 9.
25. Take the Player Rod (13&14&15) which now has a handle on it. While holding the handle insert the other end through the first side panel only.
26. Thread onto the rod a Rubber Bushing (A10) ,a Rod Washer(A11), Players-white (16), a Rod Washer(A11),and a Rubber Bushing(A10) again. Push the rod through the other side of the table and cover the end with an Rod End Cap (19).
27. Repeat this process for the remaining rods, keeping team colors consistent on the left and right side of the table. Follow FIG.9 for the correct rod and number of men for each position.
28. Attach the Players (16 & 17) to the Player Rods(13&14&15) with Bolts (A8) and Lock Nuts(A9).