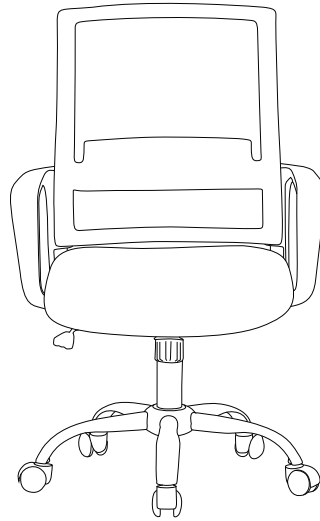




<http://www.paylesshere.com>

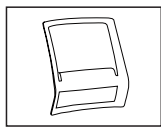
OFFICE CHAIR ASSEMBLY INSTRUCTION



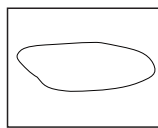
THANK YOU FOR PURCHASING BEST CHAIR

OC-MC735

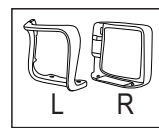
PARTS LIST



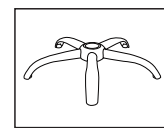
A 1XBackrest



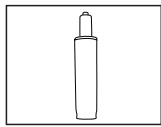
B 1XSeat



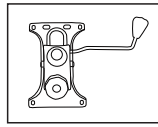
C 2XArmrest



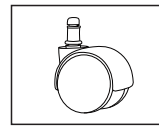
D 1XBase



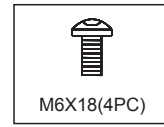
E 1XGaslift



F 1XMechanism

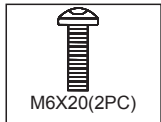


G 5XWheels



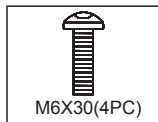
M6X18(4PC)

H



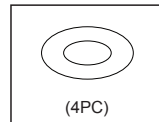
M6X20(2PC)

I



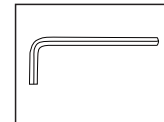
M6X30(4PC)

J



(4PC)

K

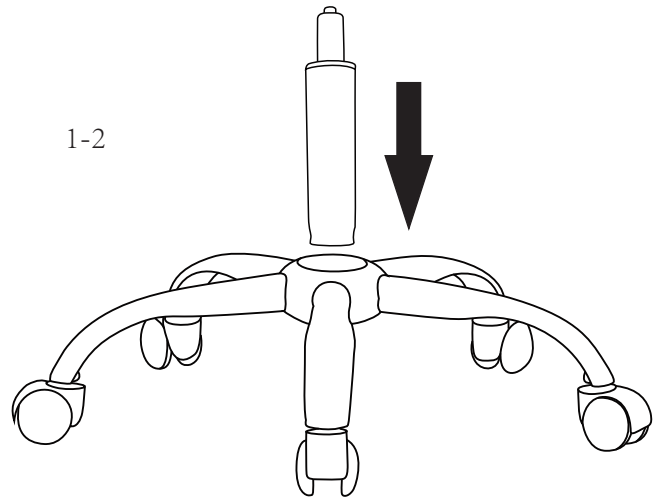
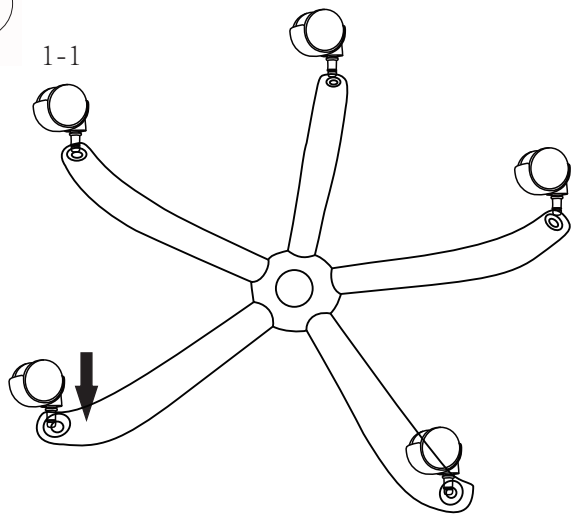


M

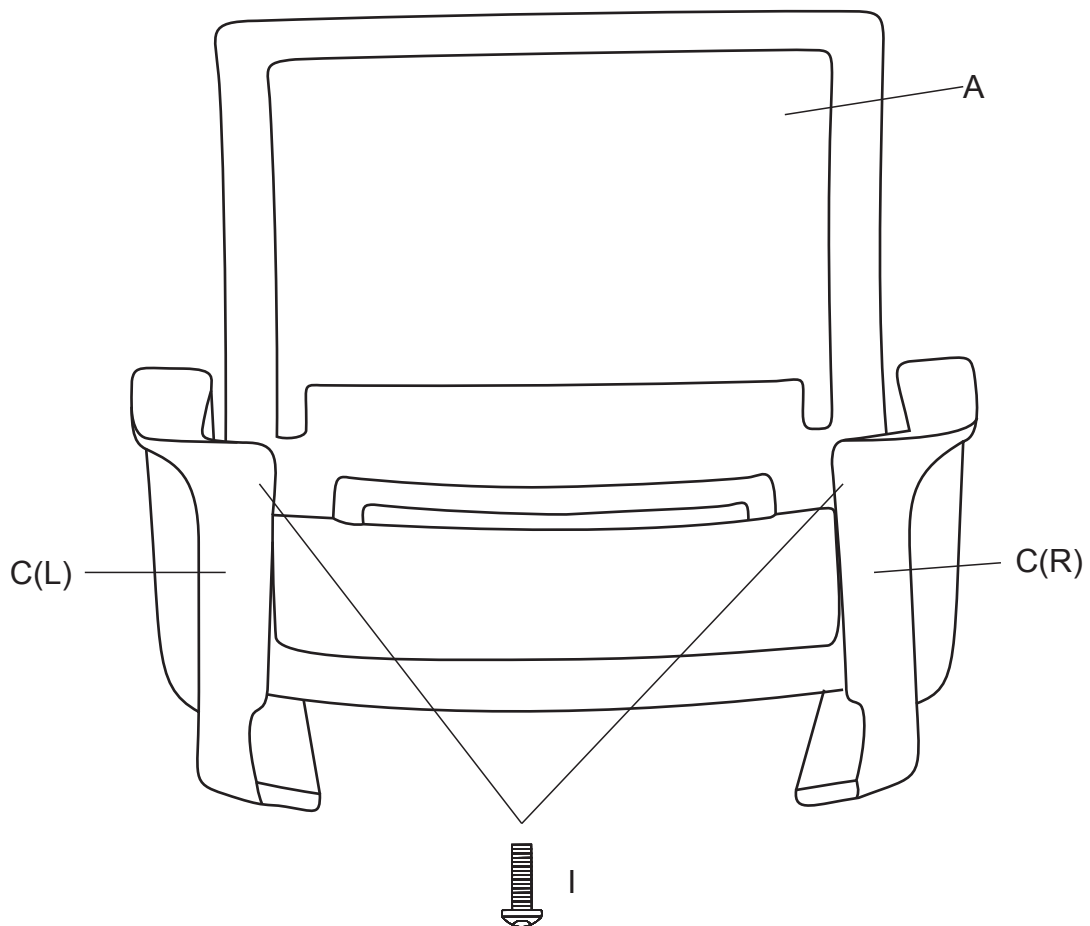
WARNING

- Do not stand in this chair or use the chair as a step ladder use it as chair only.
- This chair is designed for one person to use at a time.
- This chair is designed for one person weighing up to 250lbs(113kgs).
- Do not use this chair unless all bolts, screws and knobs are firmly secured.
- Check all bolts,screws and knobs every 90days. Tighten if any are loose.
- Failure to follow these instructions may result in serious injury or death of yourself and people around you.
- Some of the part are heavy and/or has shape edge, please install it carefully to avoid hurt you and people around you.

1

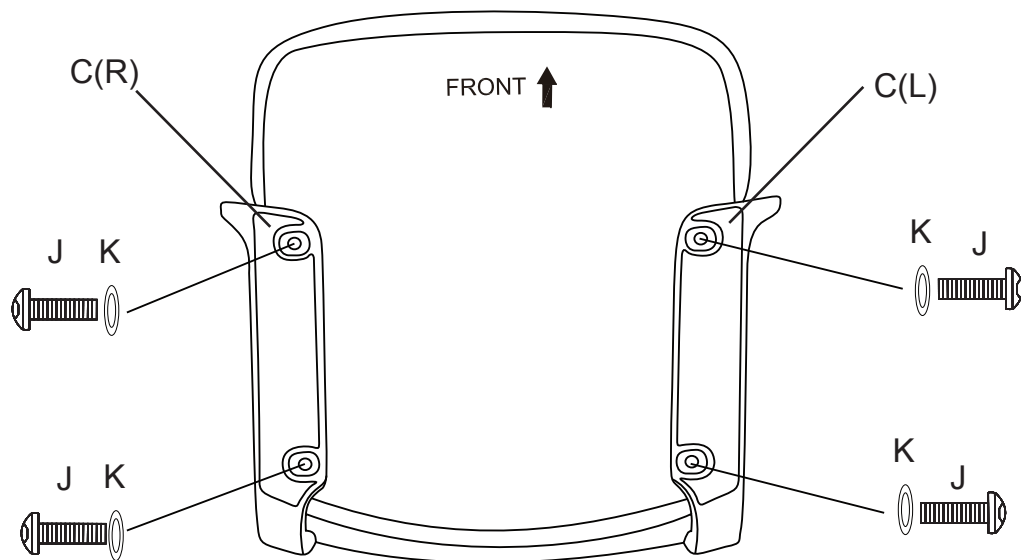


2



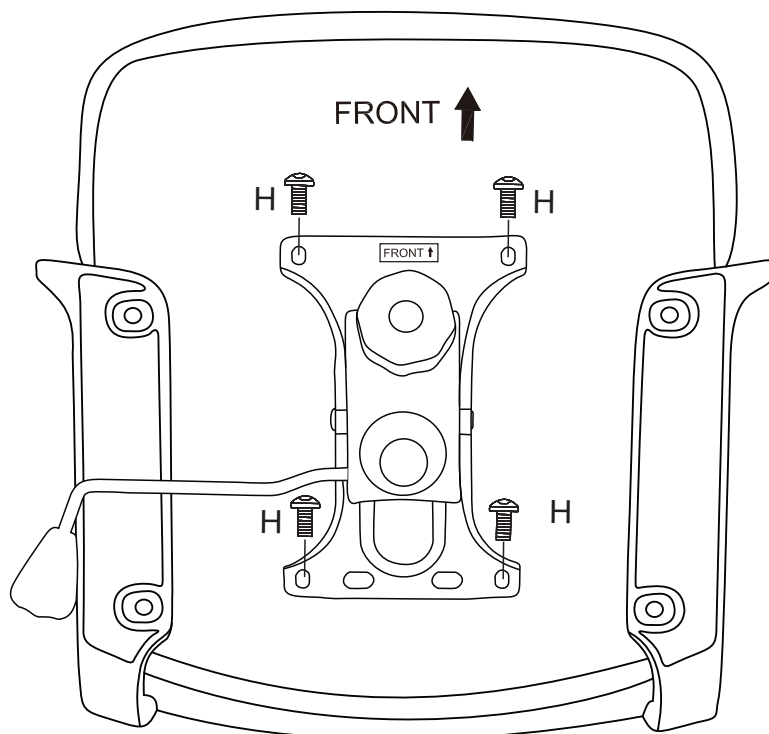
Attention: All the screws in, and then tighten them.

3



Attention:All the screws in,and then tighten them.

4



Attention:All the screws in,and then tighten them.

5

