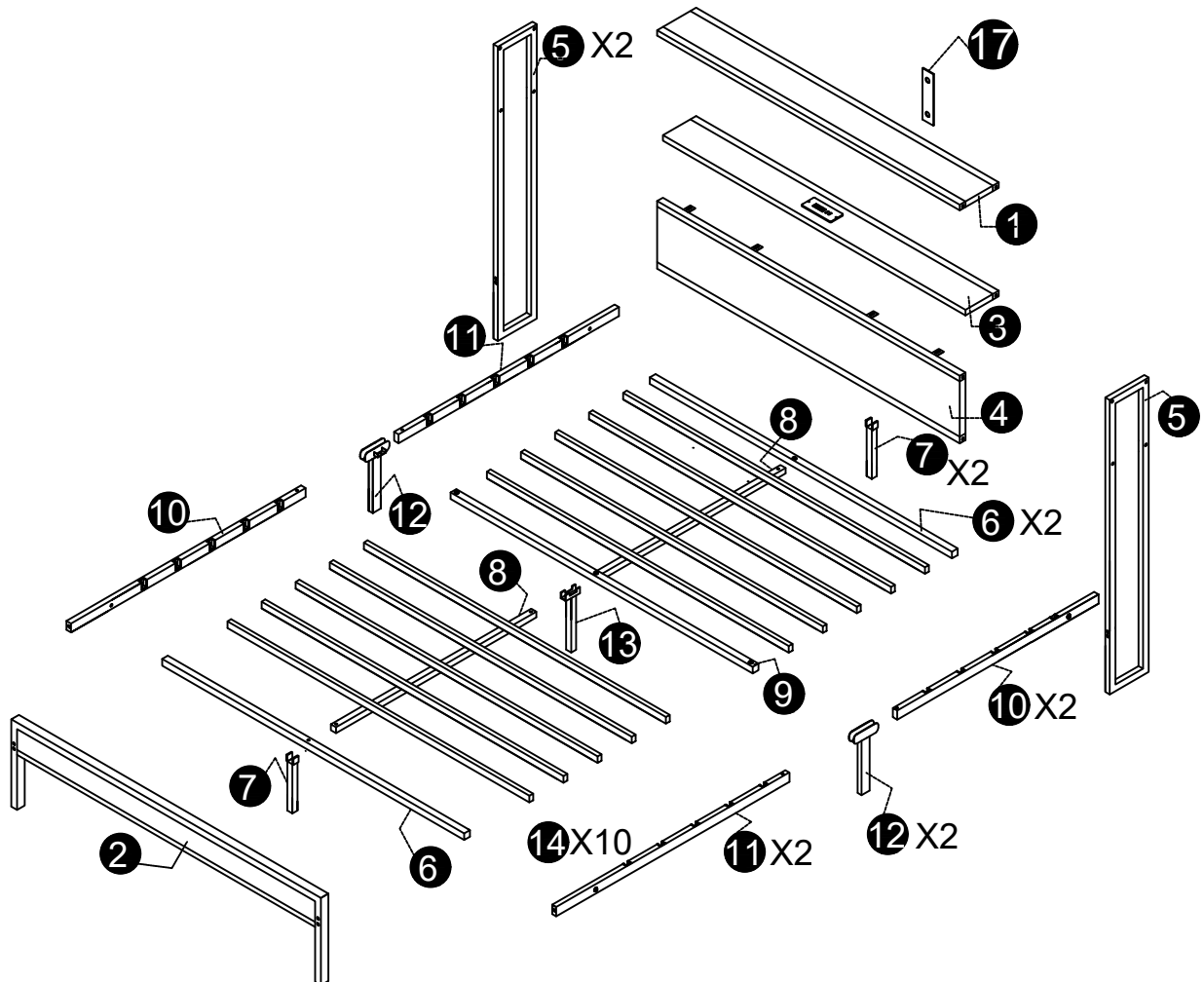
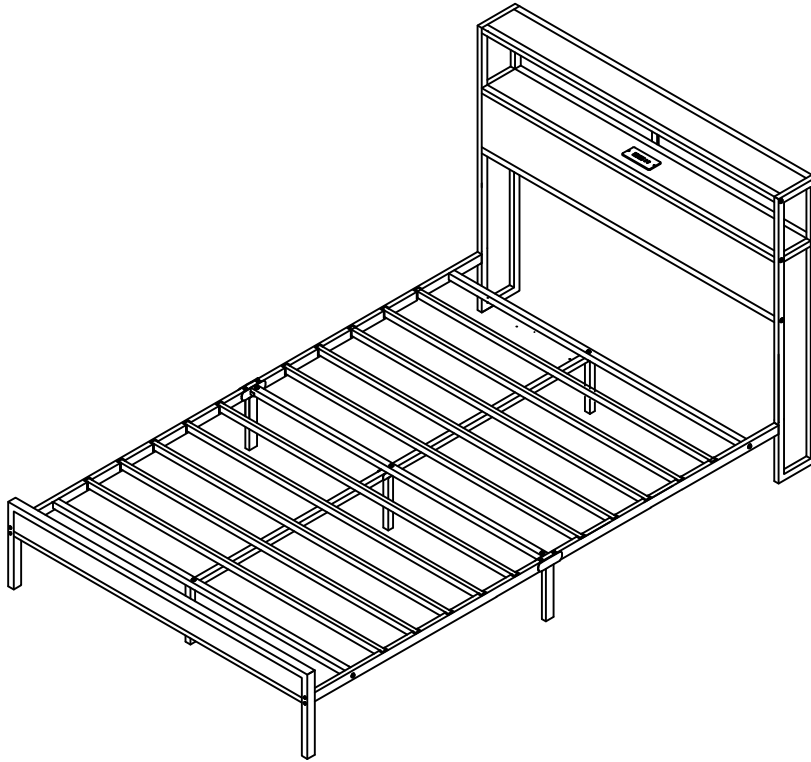

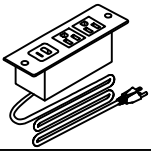

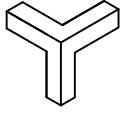



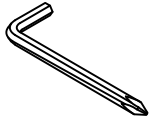
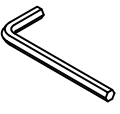
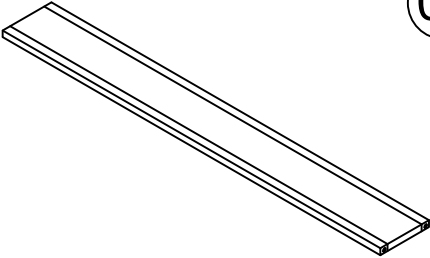
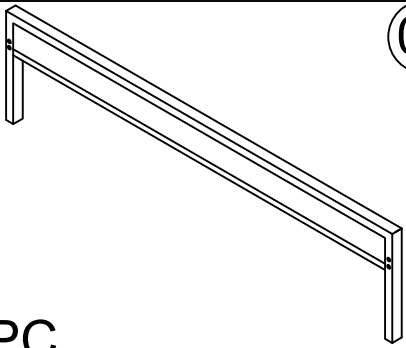
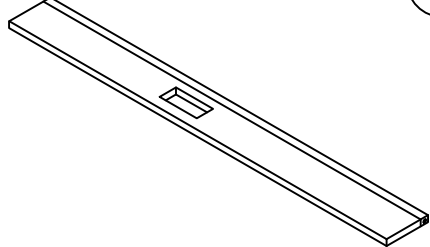
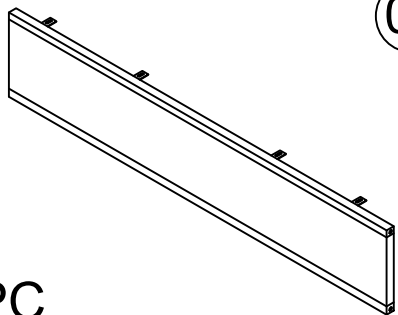
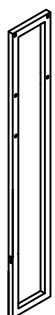
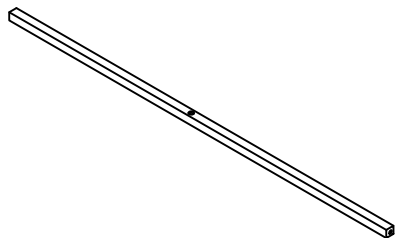
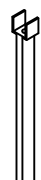
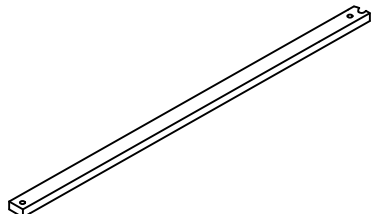
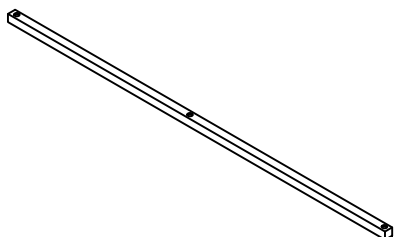


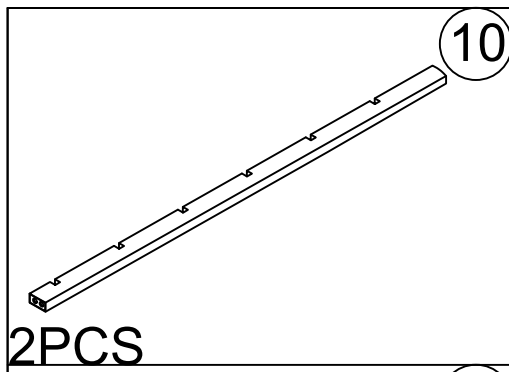
# KING BED ASSEMBLY

Please don't tighten the screws completely and go back later for a final tightening of all the screws after pieces are aligned with each other.



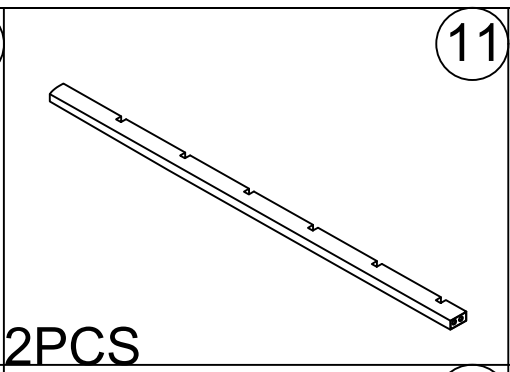
|   |  |         |       |   |   |      |
|---|--|---------|-------|---|---|------|
| A |    | M8*40mm | 12PCS | I |   | 1PC  |
| B |   | M8*55mm | 7PCS  | M |  | 4PCS |
| C |   | M6*40mm | 14PCS |   |   |      |
| D |   | M6*12mm | 6PCS  |   |   |      |
| E |   | M4*12mm | 2PCS  |   |   |      |
| G |   | M5      | 1PC   |   |   |      |
| H |  | M4      | 1PC   |   |   |      |

|   |   |   |
|---|---|---|
| <br>1PC   | <br>1PC  | <br>1PC  |
| <br>1PC   | <br>2PCS | <br>2PCS |
| <br>2PCS | <br>2PCS | <br>1PC  |



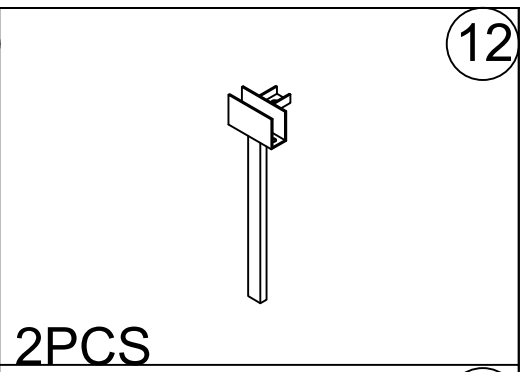
10

2PCS



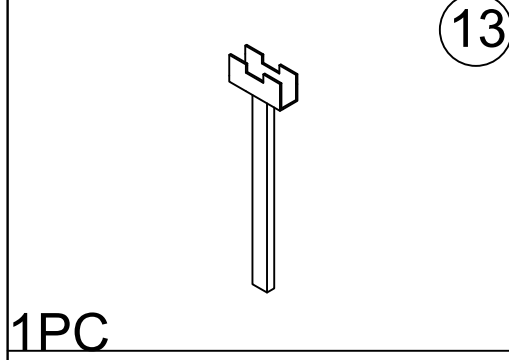
11

2PCS



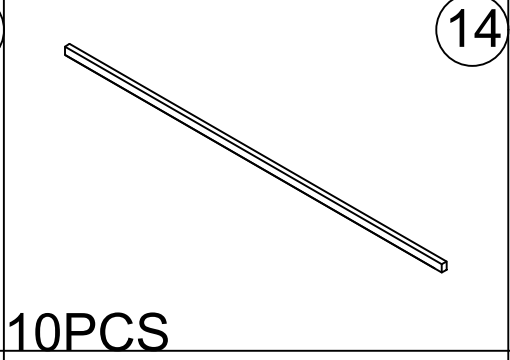
12

2PCS



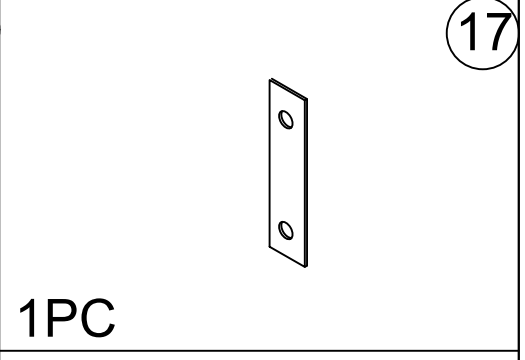
13

1PC



14

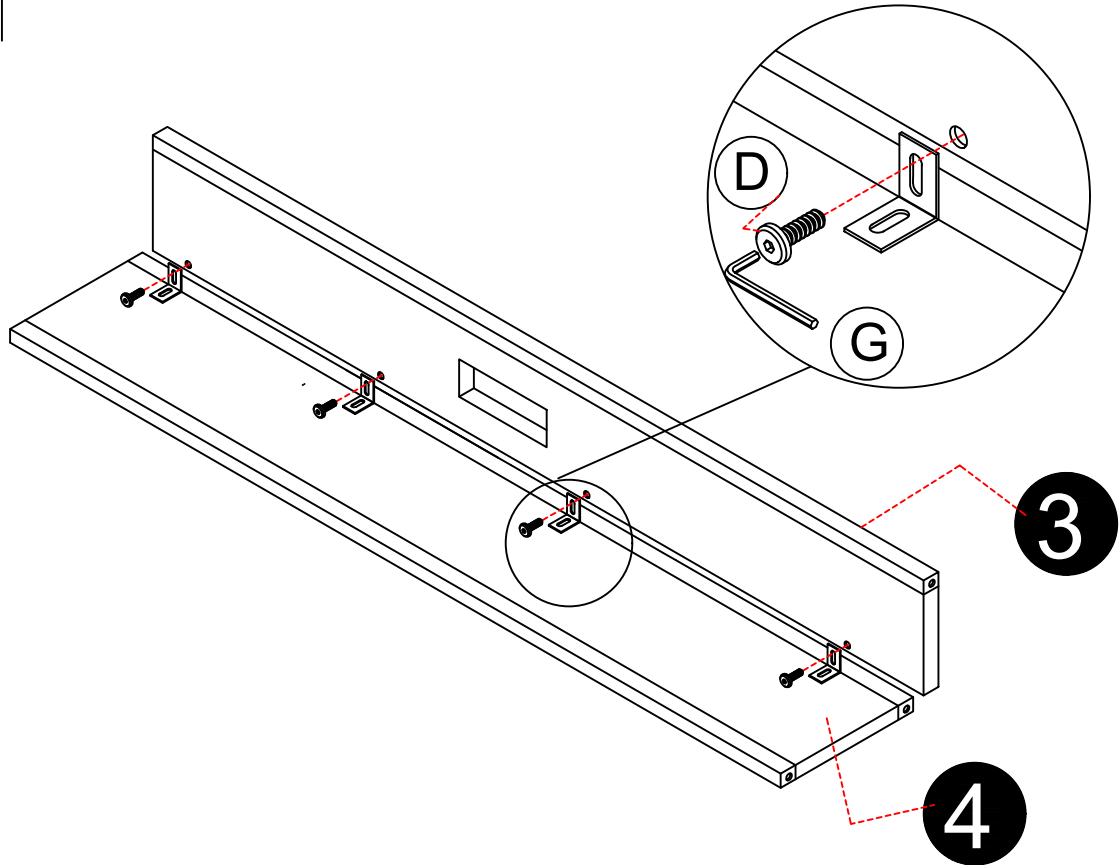
10PCS

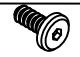



17

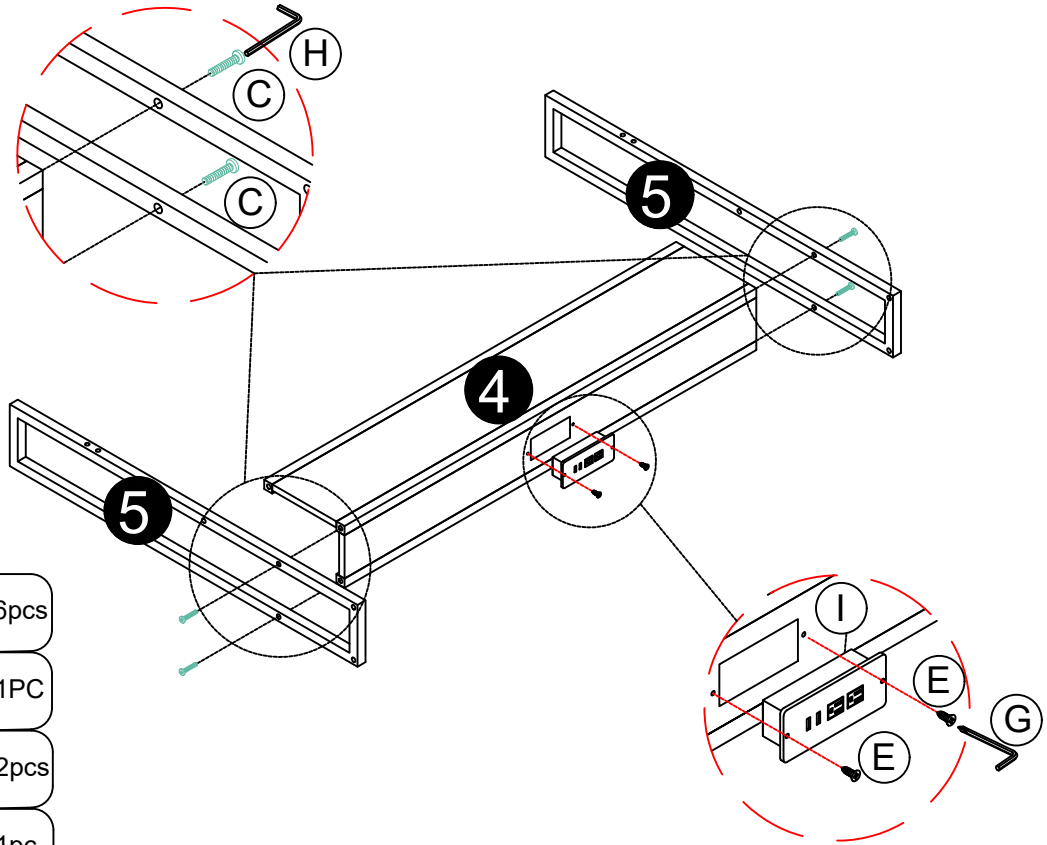
1PC




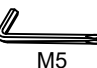

# Step 1



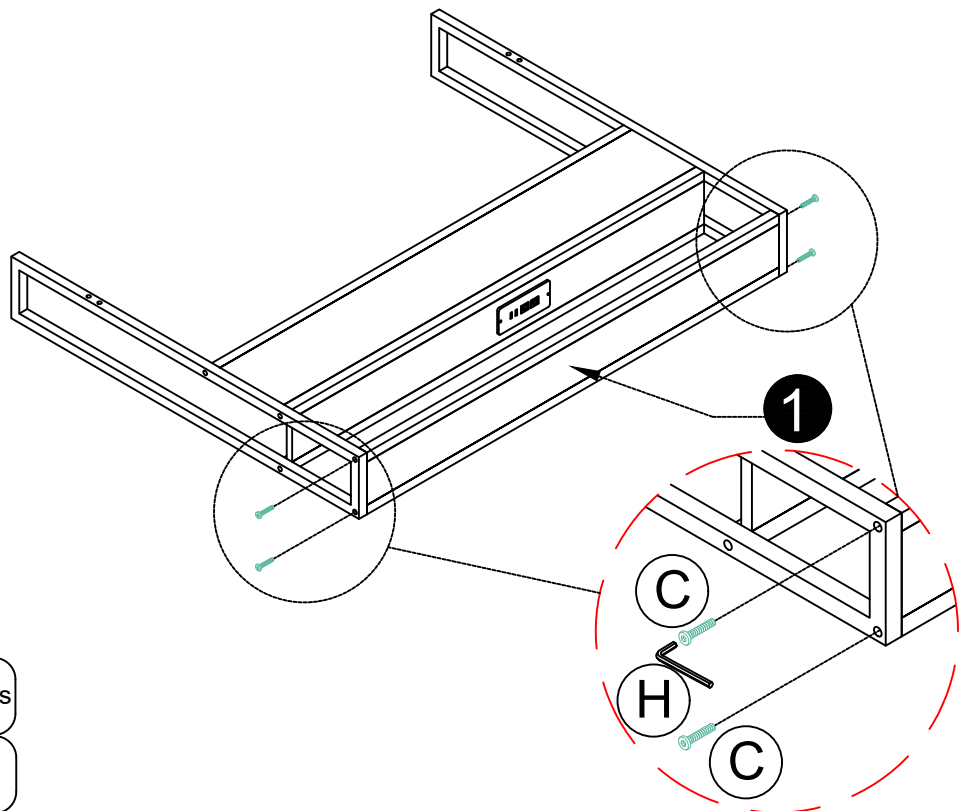
|   |  |      |
|---|--|------|
| D | <br>M6*12MM | 4pcs |
| H | <br>M4      | 1pc  |



# Step 2



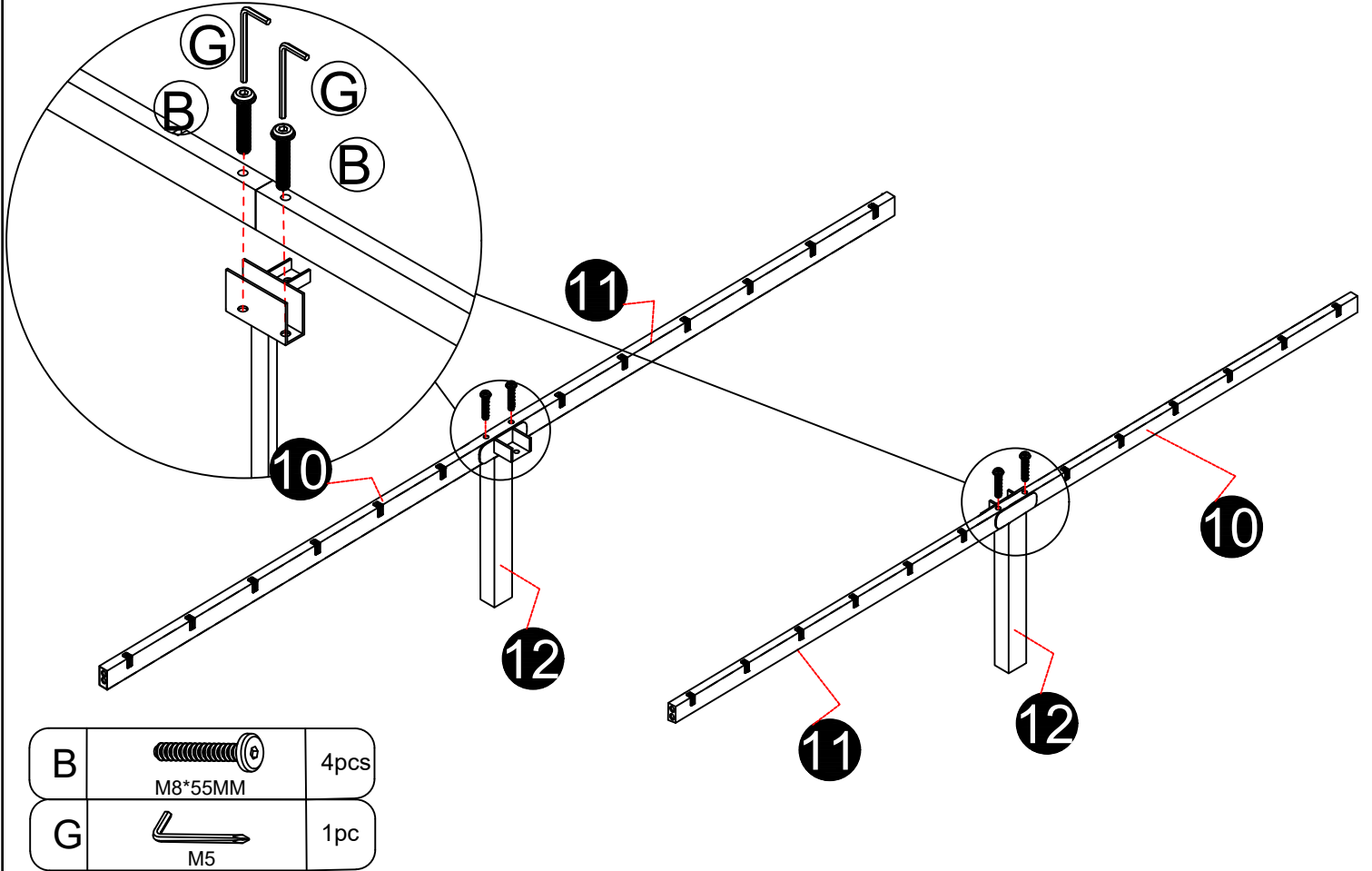
|   |  |      |
|---|--|------|
| C | <br>M6*40MM | 6pcs |
| I |             | 1PC  |
| E | <br>M4*12MM | 2pcs |
| G | <br>M5      | 1pc  |
| H | <br>M4    | 1pc  |

# Step 3

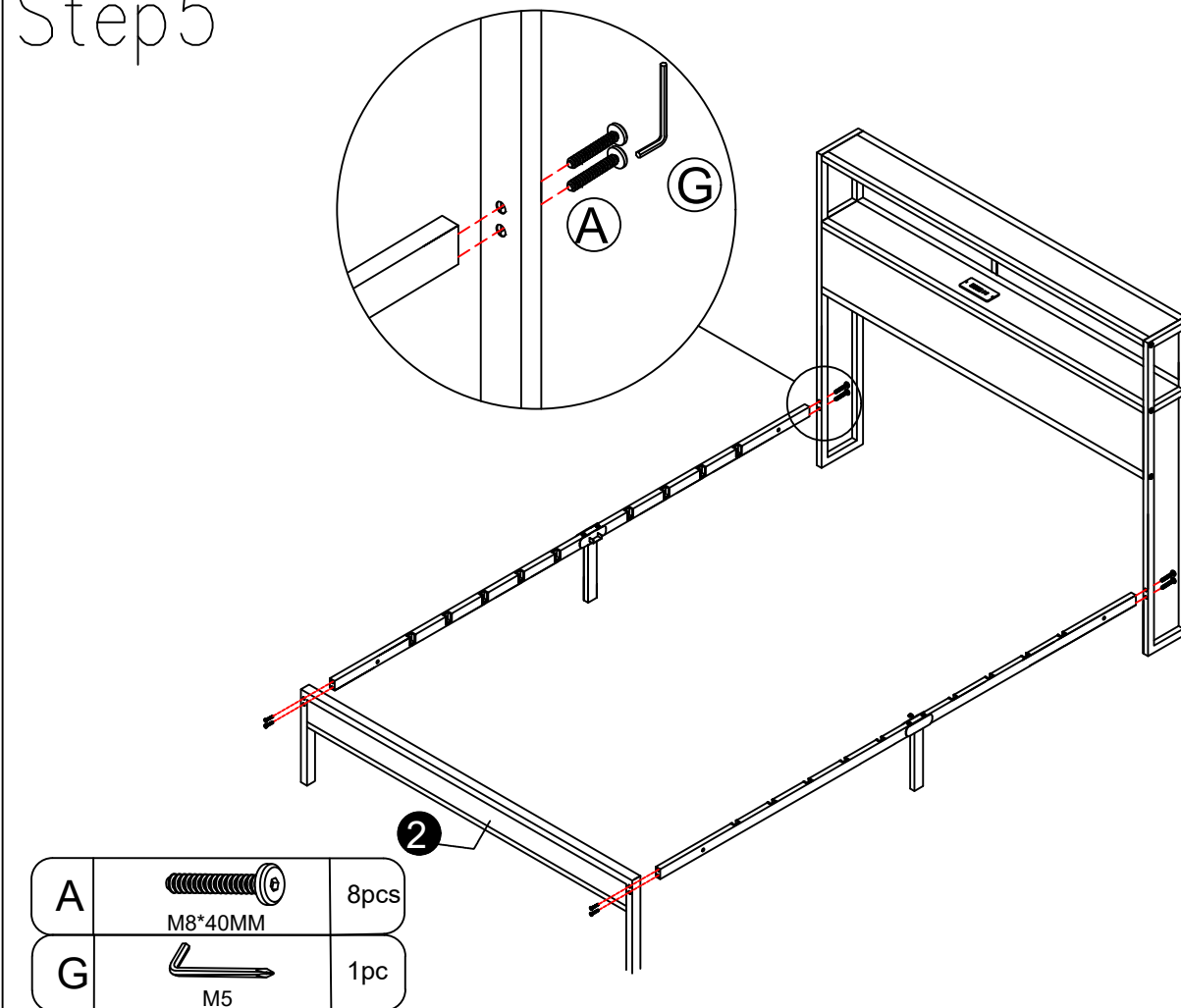


|   |  |      |
|---|--|------|
| C | <br>M6*40MM | 4pcs |
| H | <br>M4      | 1pc  |

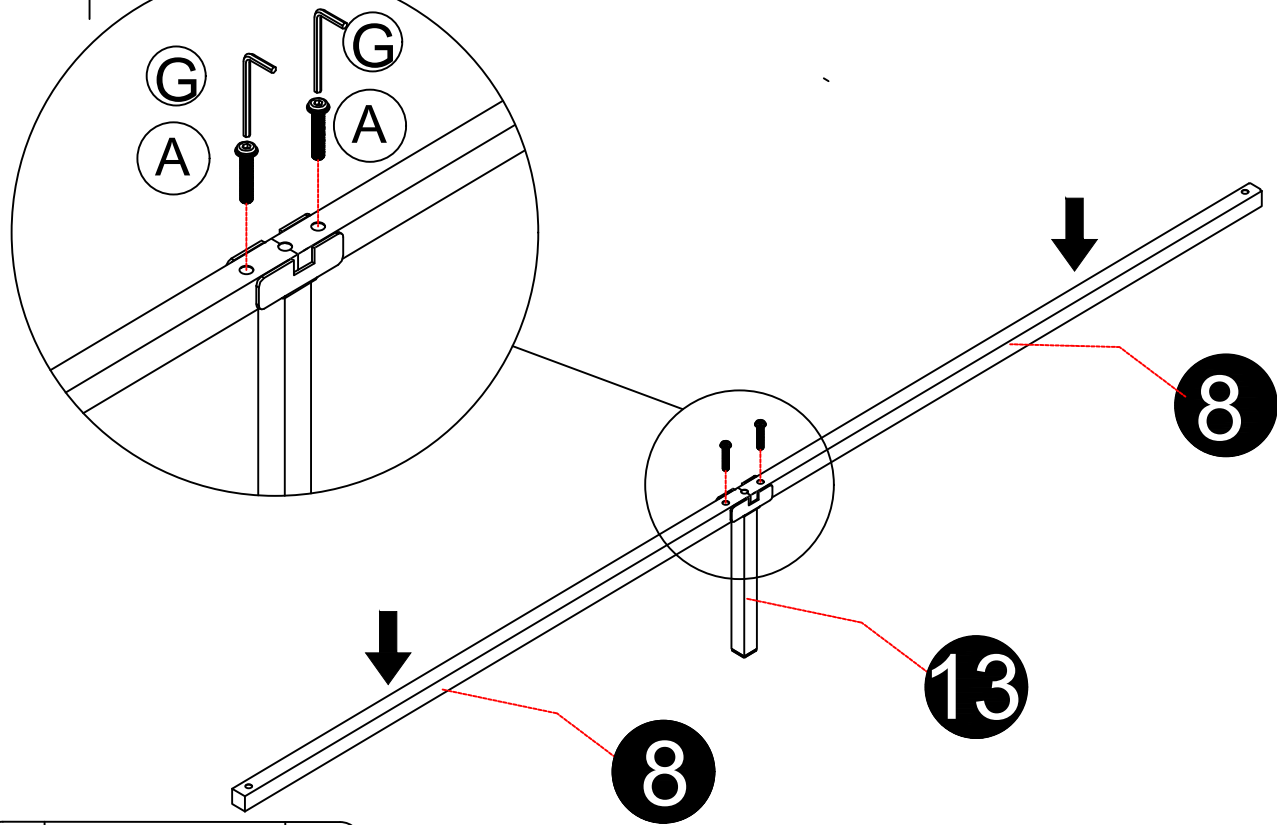
# Step 4


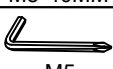


# Step 5

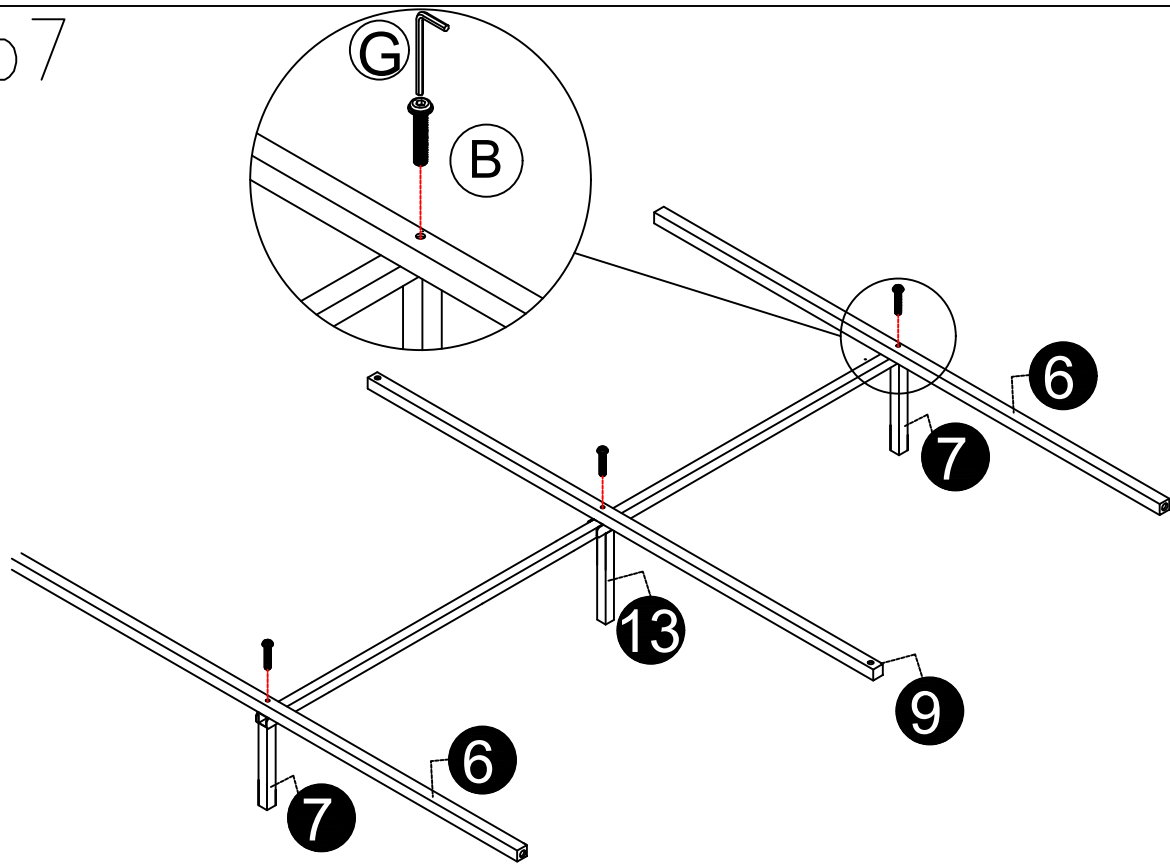



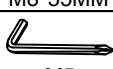
# Step 6



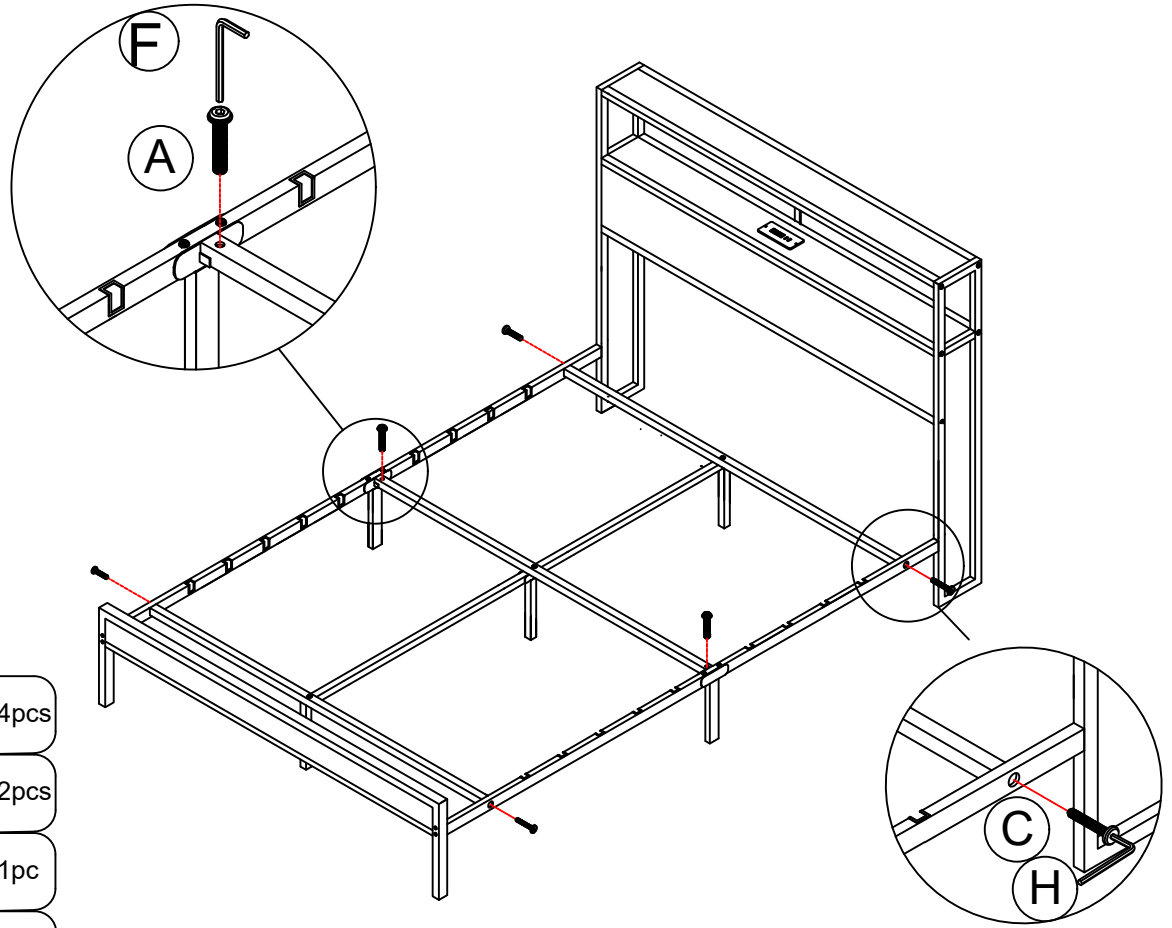
|   |  |      |
|---|--|------|
| A | <br>M8*40MM | 2pcs |
| G | <br>M5     | 1pc  |



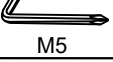
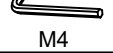
# Step 7



|   |  |      |
|---|--|------|
| B | <br>M8*55MM | 3pcs |
| G | <br>M5      | 1pc  |

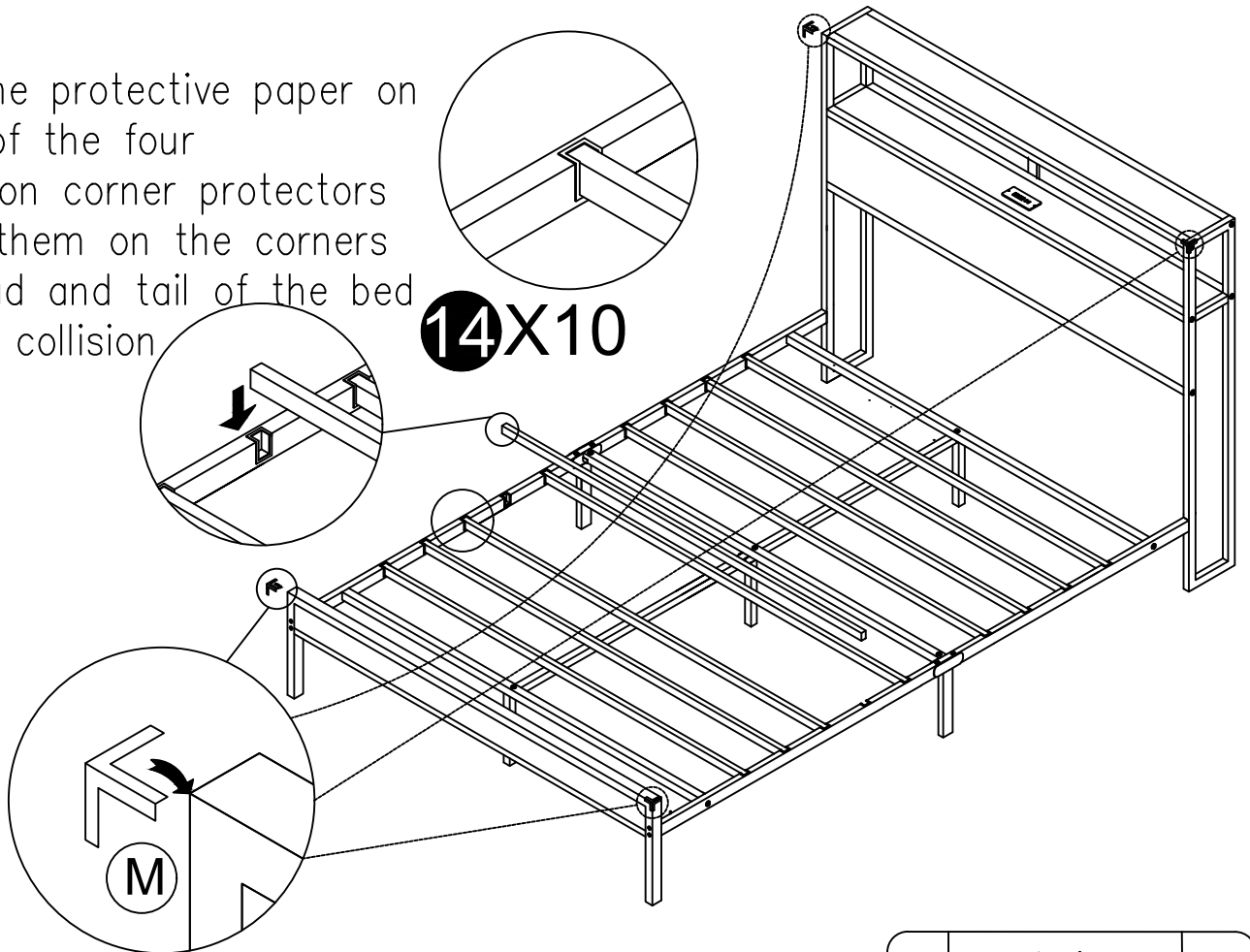
# Step 8



|   |  |      |
|---|--|------|
| C | <br>M6*40MM | 4pcs |
| A | <br>M8*40MM | 2pcs |
| G | <br>M5     | 1pc  |
| H | <br>M4    | 1pc  |

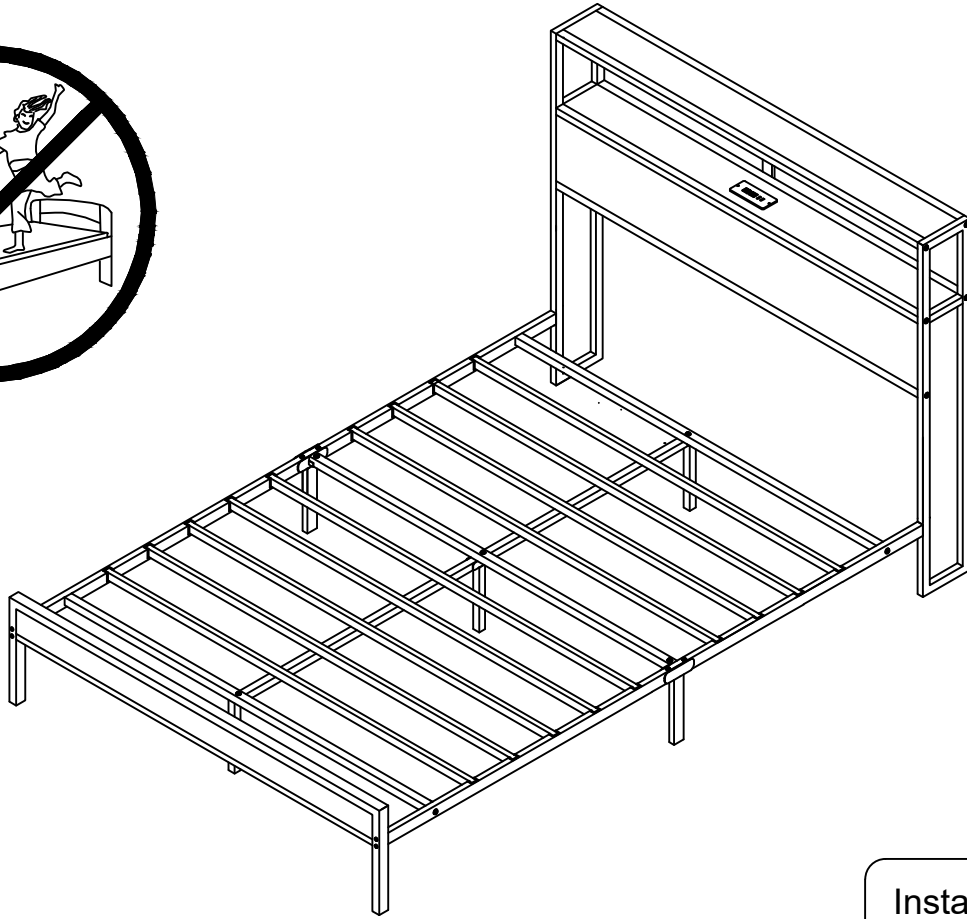
# Step 9

Tear off the protective paper on the back of the four anti-collision corner protectors and stick them on the corners at the head and tail of the bed to prevent collision



|   |   |      |
|---|---|------|
| M |  | 4pcs |
|---|---|------|

# Step 10



Installation Complete