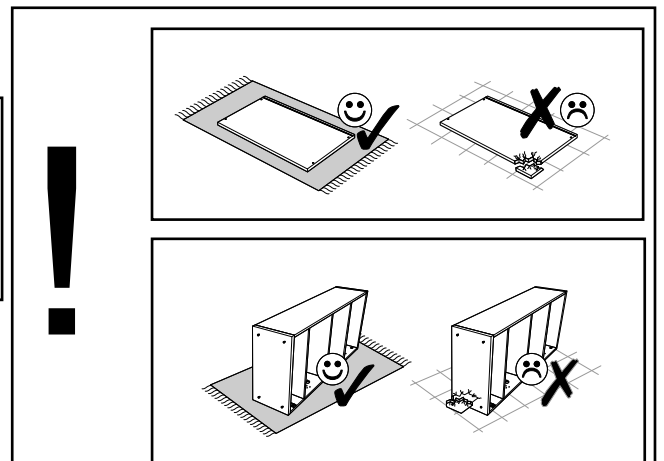
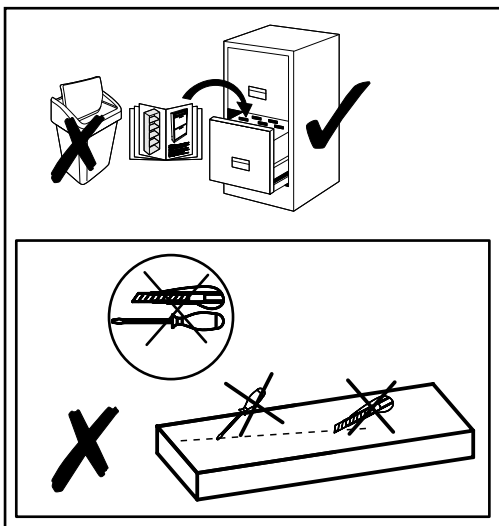
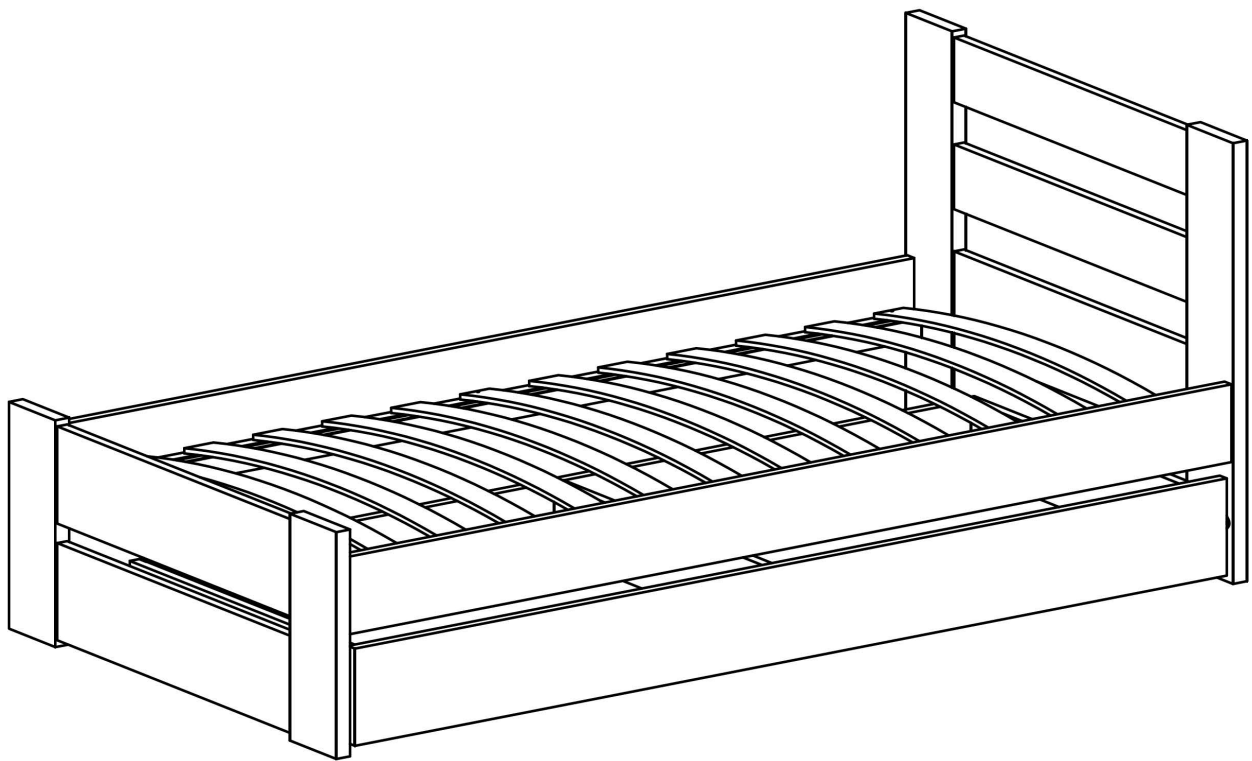
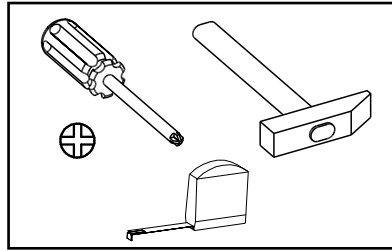
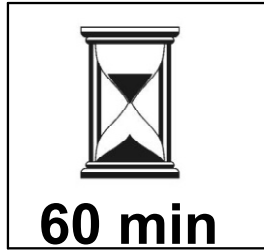
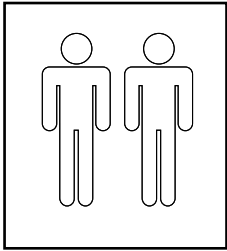
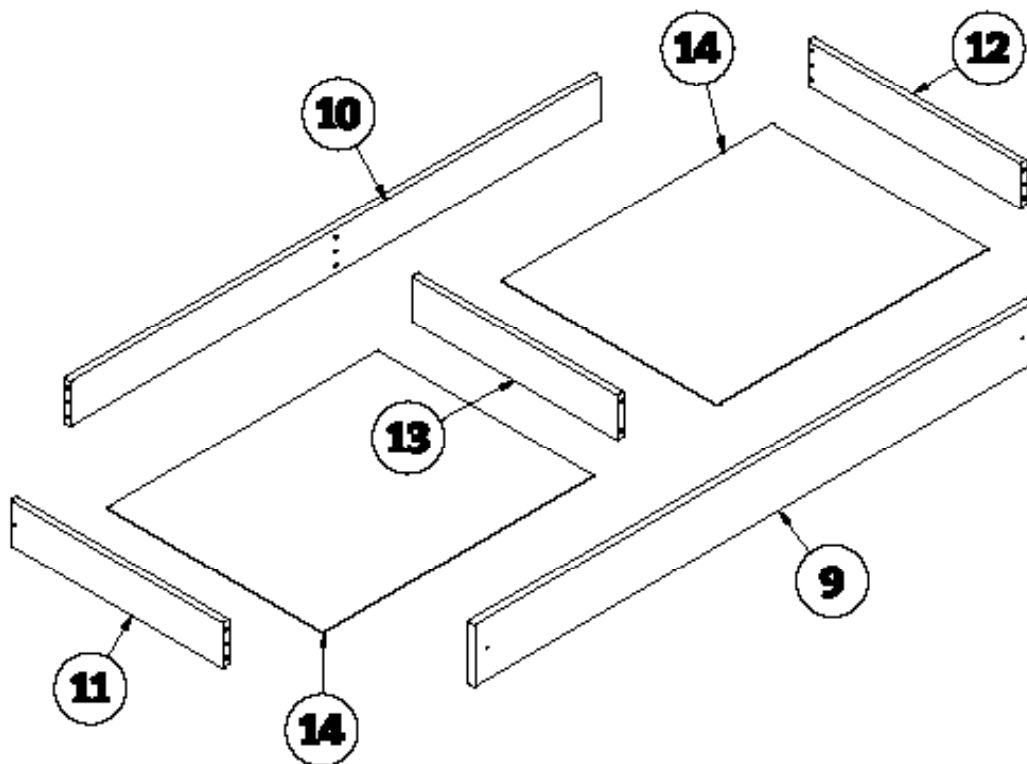
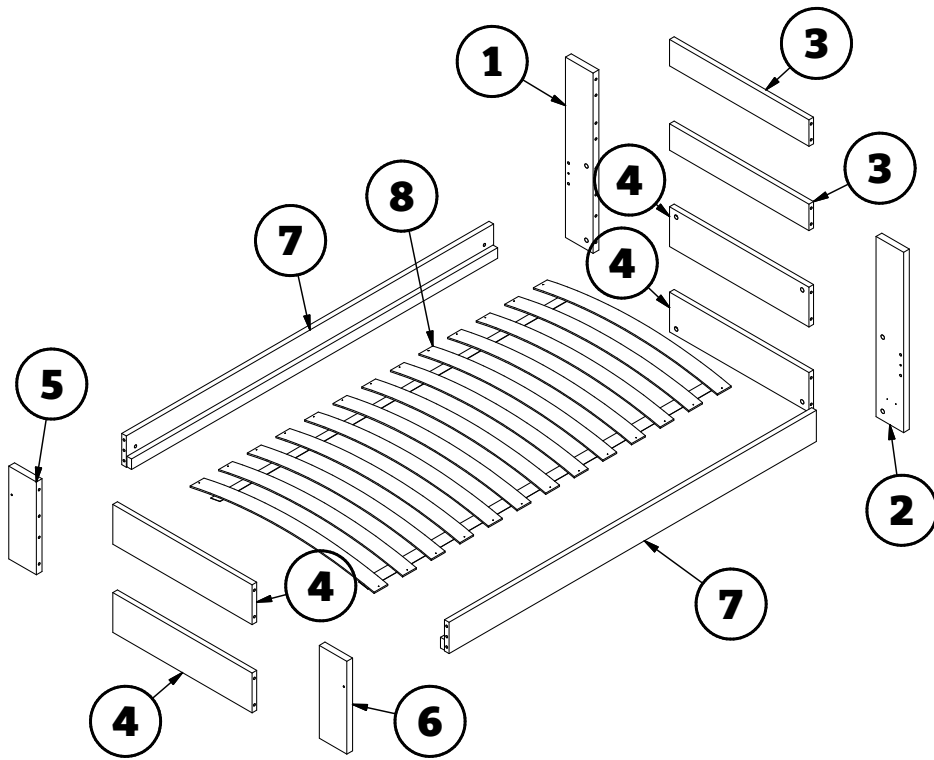


EMIL 160 / 80





① **x1** 680x120x25mm

④ **x4** 707x150x18mm

⑦ **x2** 1600x120x40mm

⑩ **x1** 1495x110x18mm

⑬ **x1** 582x110x18mm

② **x1** 680x120x25mm

⑤ **x1** 350x120x25mm

⑧ **x1** 1600x800mm

⑪ **x1** 600x110x18mm


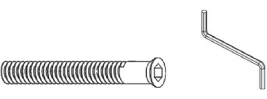
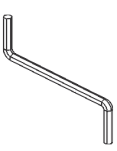

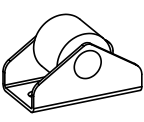

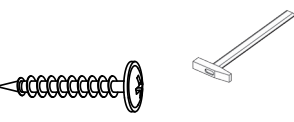
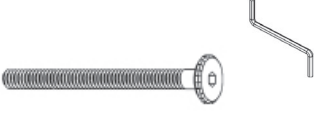
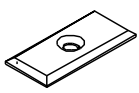
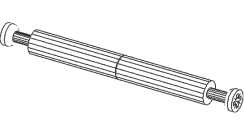
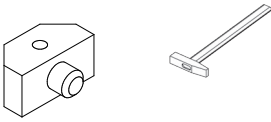
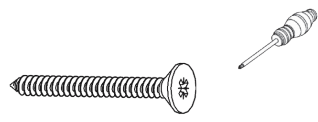
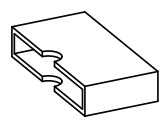

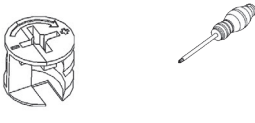
⑭ **x2** 763x608x3mm

③ **x2** 707x100x18mm

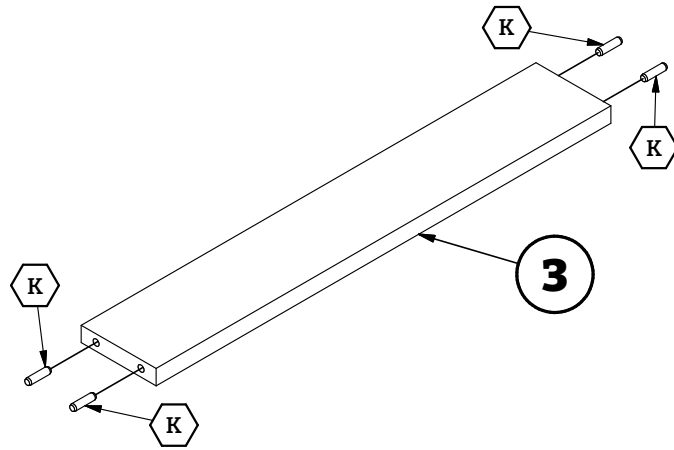
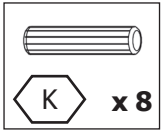
⑥ **x1** 350x120x25mm

⑨ **x1** 1580x150x18mm

⑫ **x1** 600x110x18mm

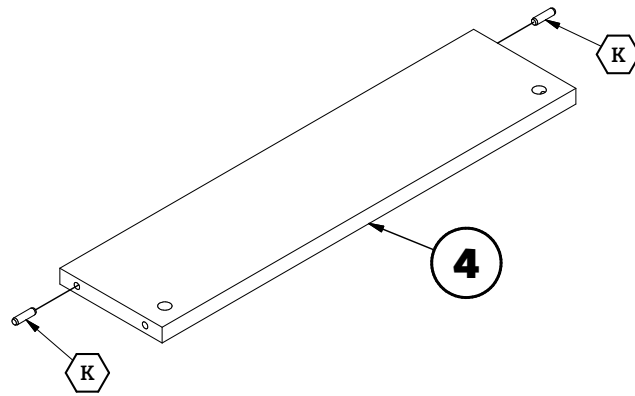
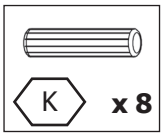
<p>K</p>  <p>x 36 $\Phi 8 \times 35 \text{mm}$</p>	<p>T</p>  <p>x 3 7×50</p>	<p>I</p>  <p>x 1</p>
<p>Q</p>  <p>x 4 $10 \times 13 \text{mm}$</p>	<p>W</p>  <p>x 6</p>	<p>F2</p>  <p>x 8 $3,5 \times 30 \text{mm}$</p>
<p>H</p>  <p>x 25 $2,5 \times 25 \text{mm}$</p>	<p>T1</p>  <p>x 4 $6 \times 50 \text{mm}$</p>	<p>R</p>  <p>x 5</p>
<p>C</p>  <p>x 8 $67 \times 7 \text{mm}$</p>	<p>Q2</p>  <p>x 2</p>	<p>T3</p>  <p>x 2 $6,5 \times 60 \text{mm}$</p>
<p>X</p>  <p>x 26</p>	<p>F1</p>  <p>x 12 $4 \times 16 \text{mm}$</p>	<p>B</p>  <p>x 16 $15 \times 12 \text{mm}$</p>

1



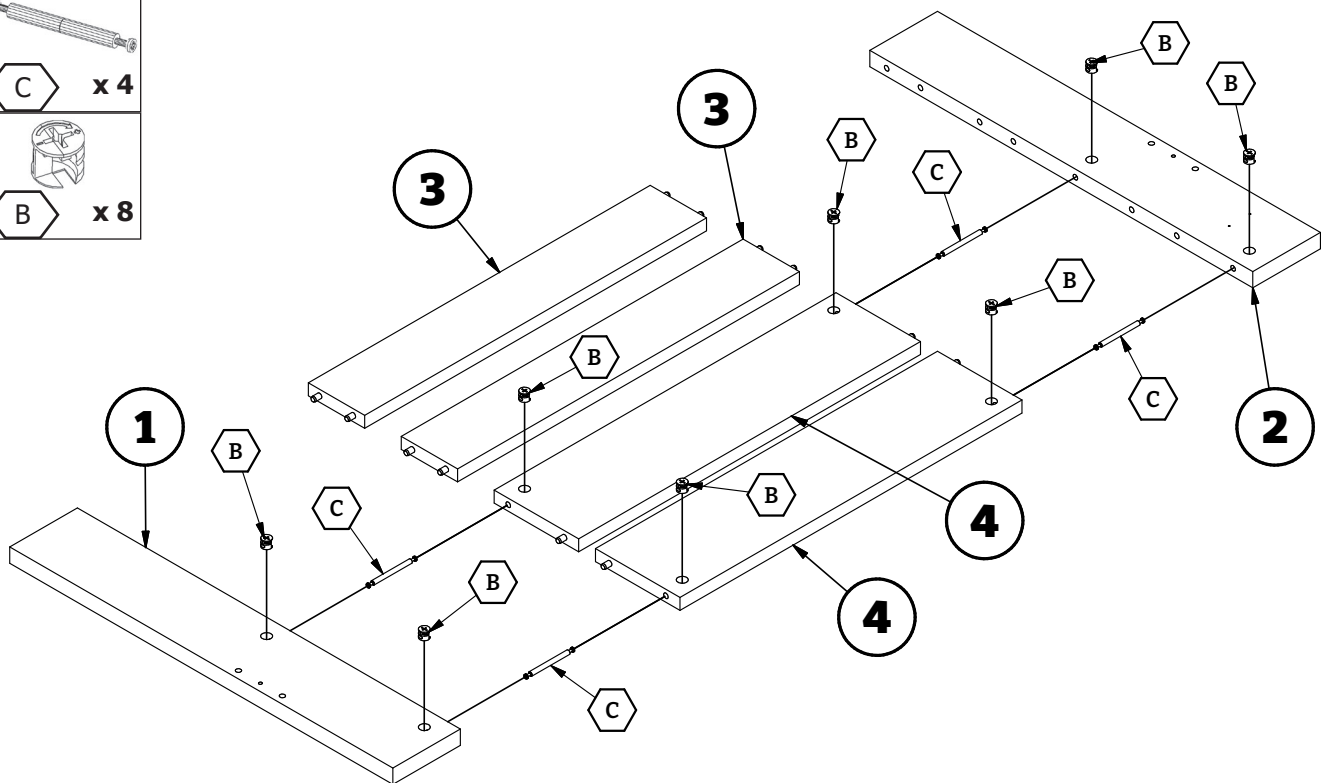
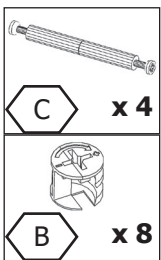
x2

2

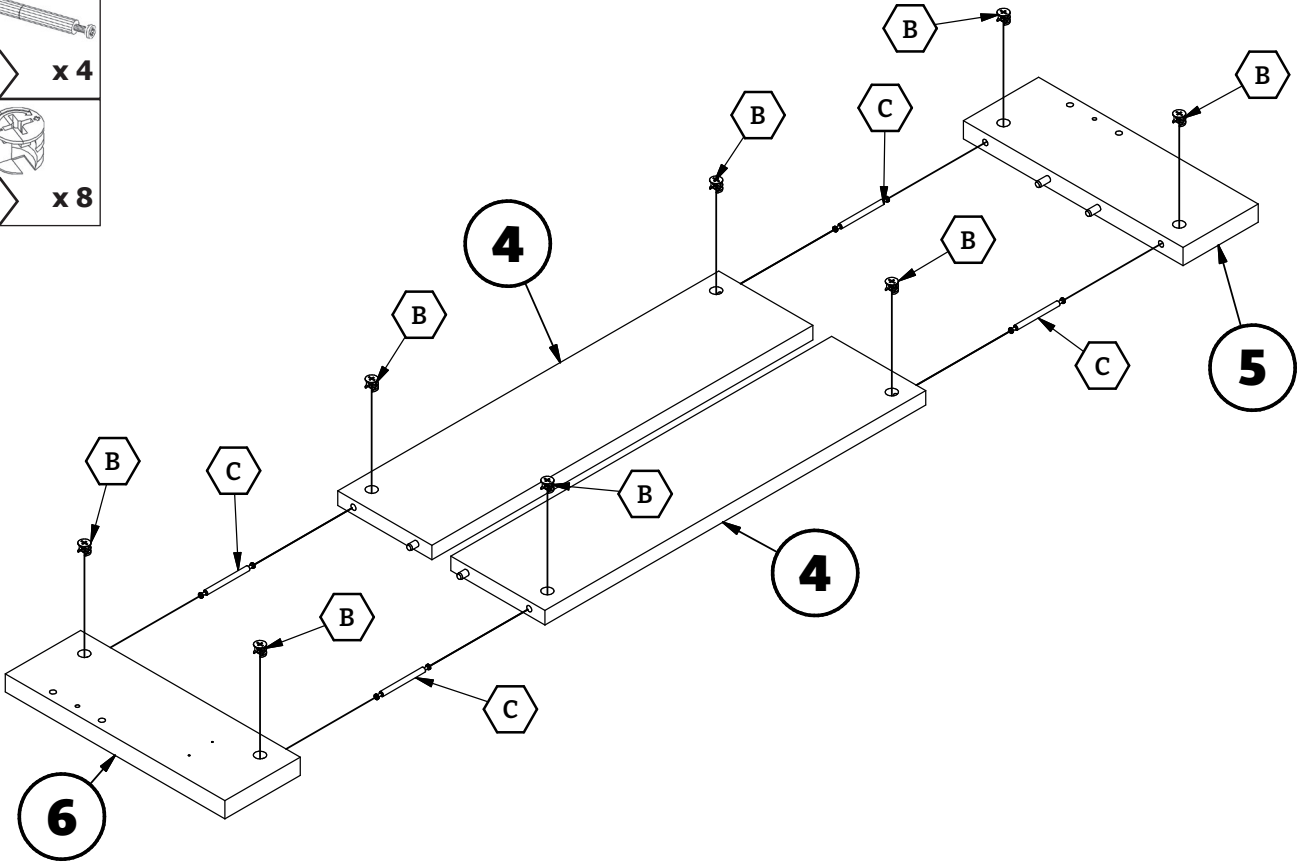
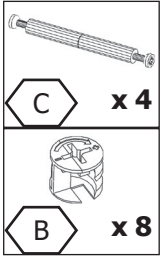


x4

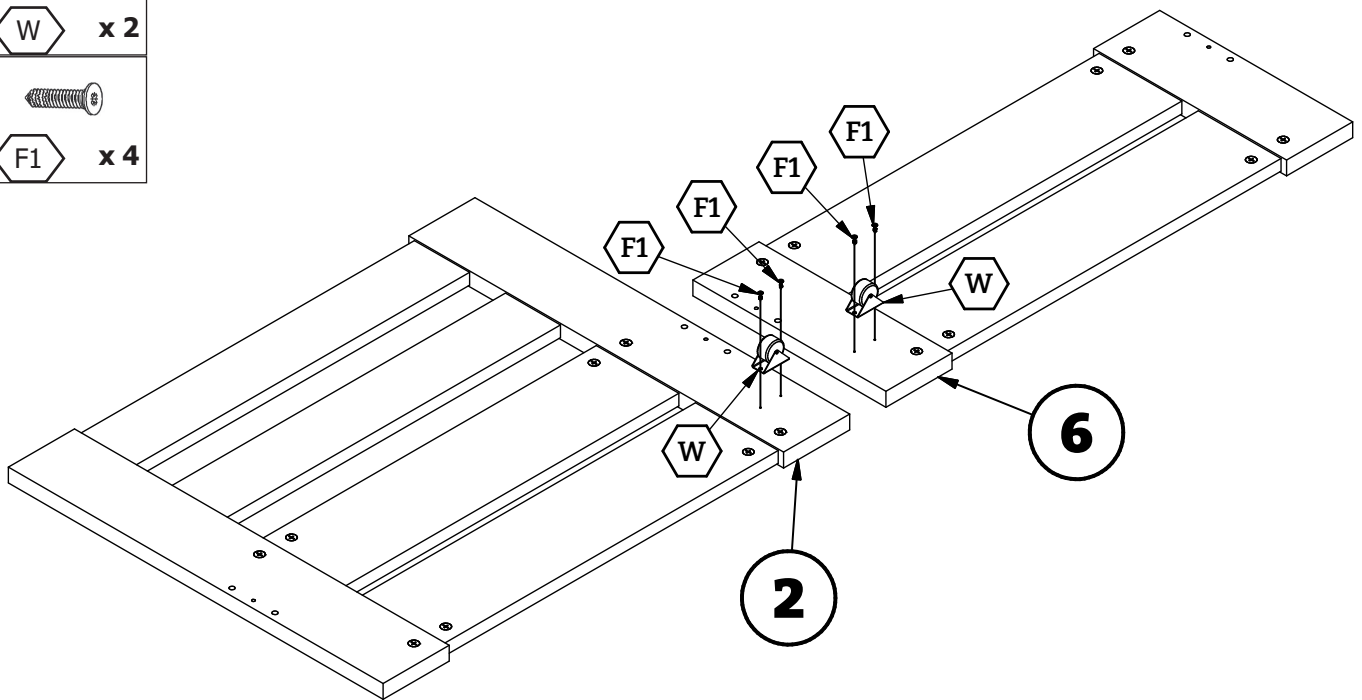
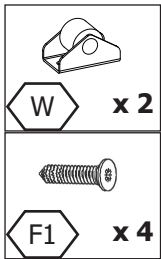
3



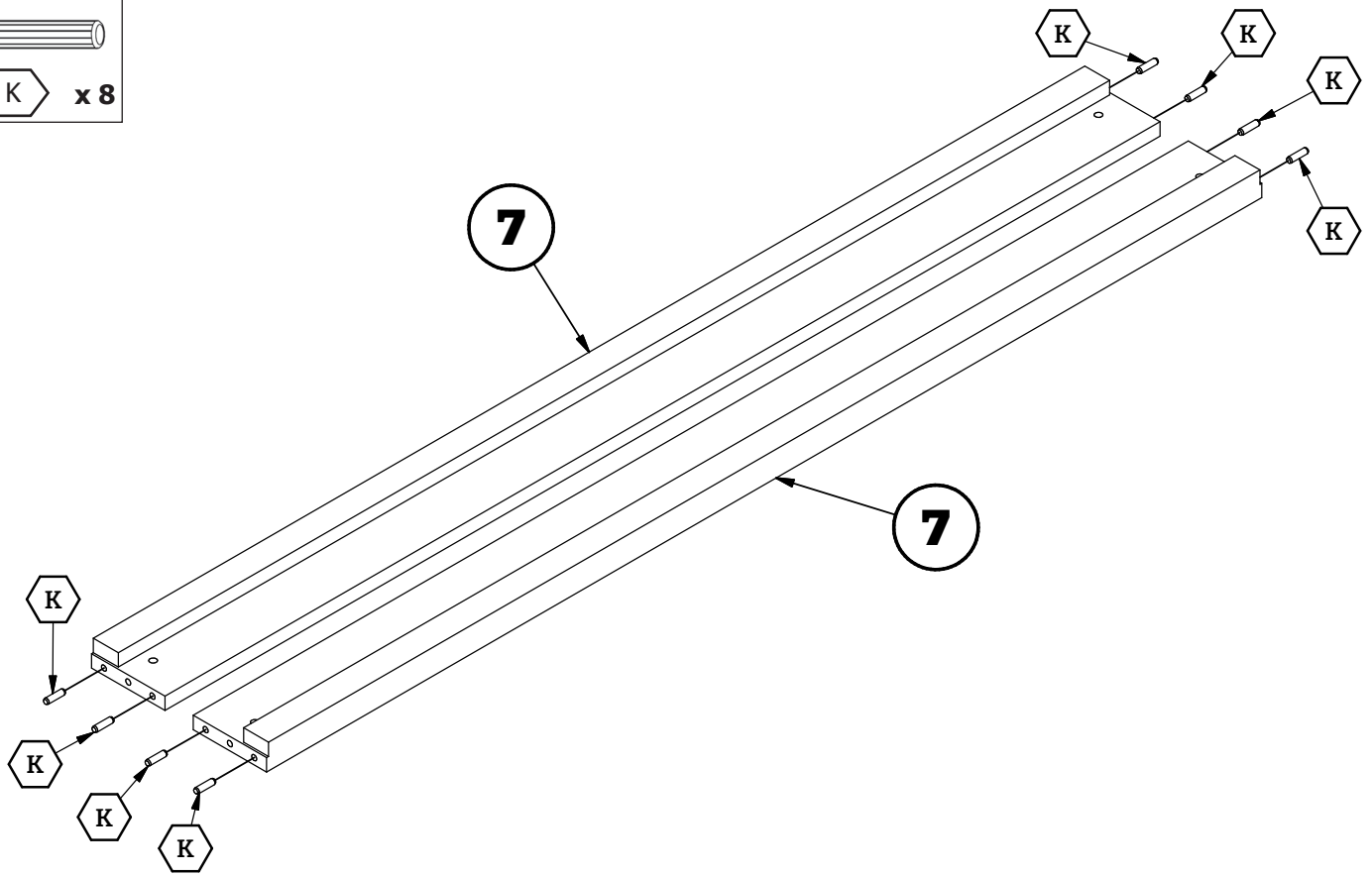
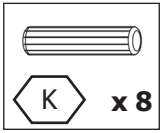
4



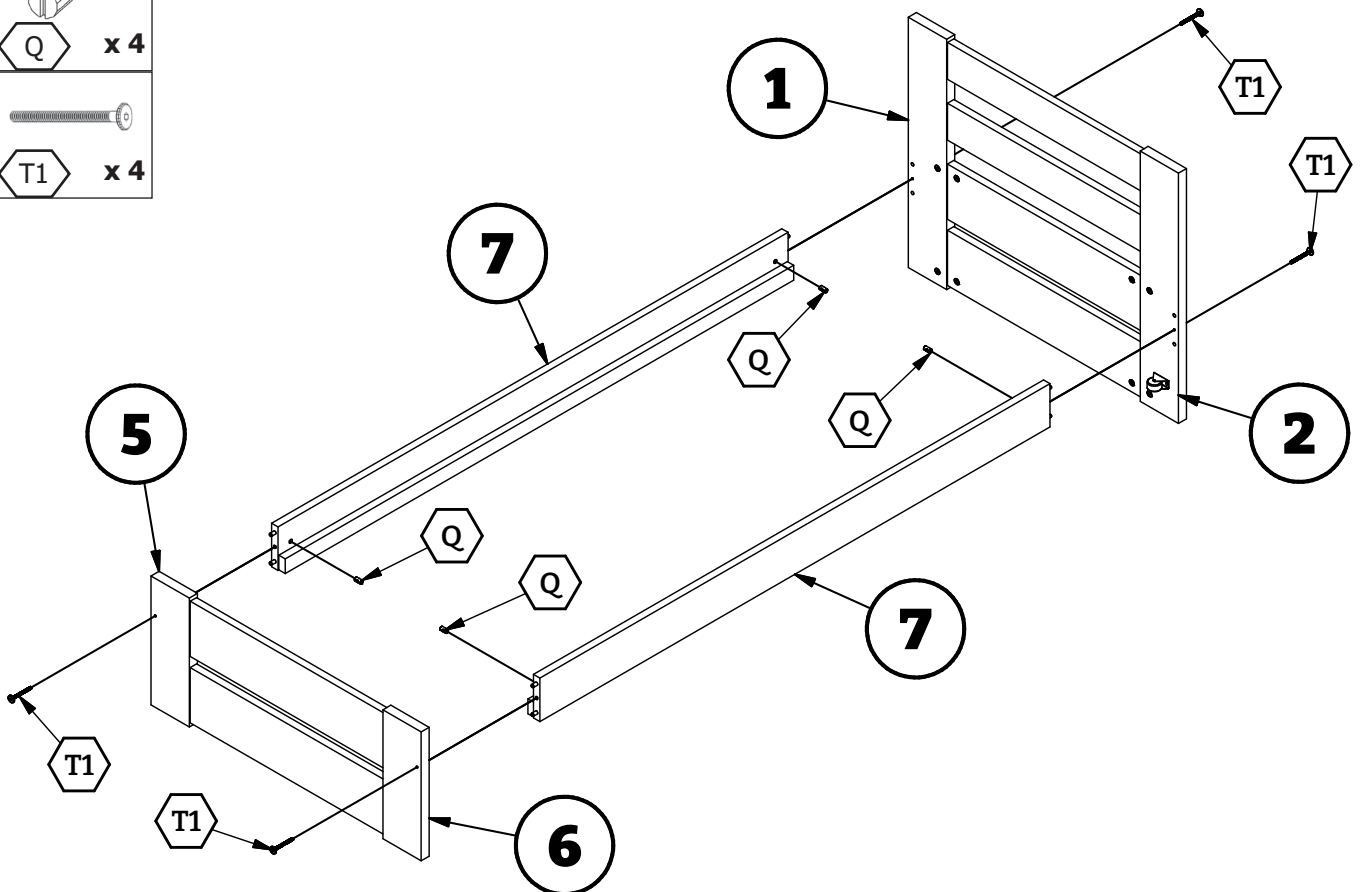
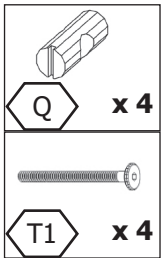
5



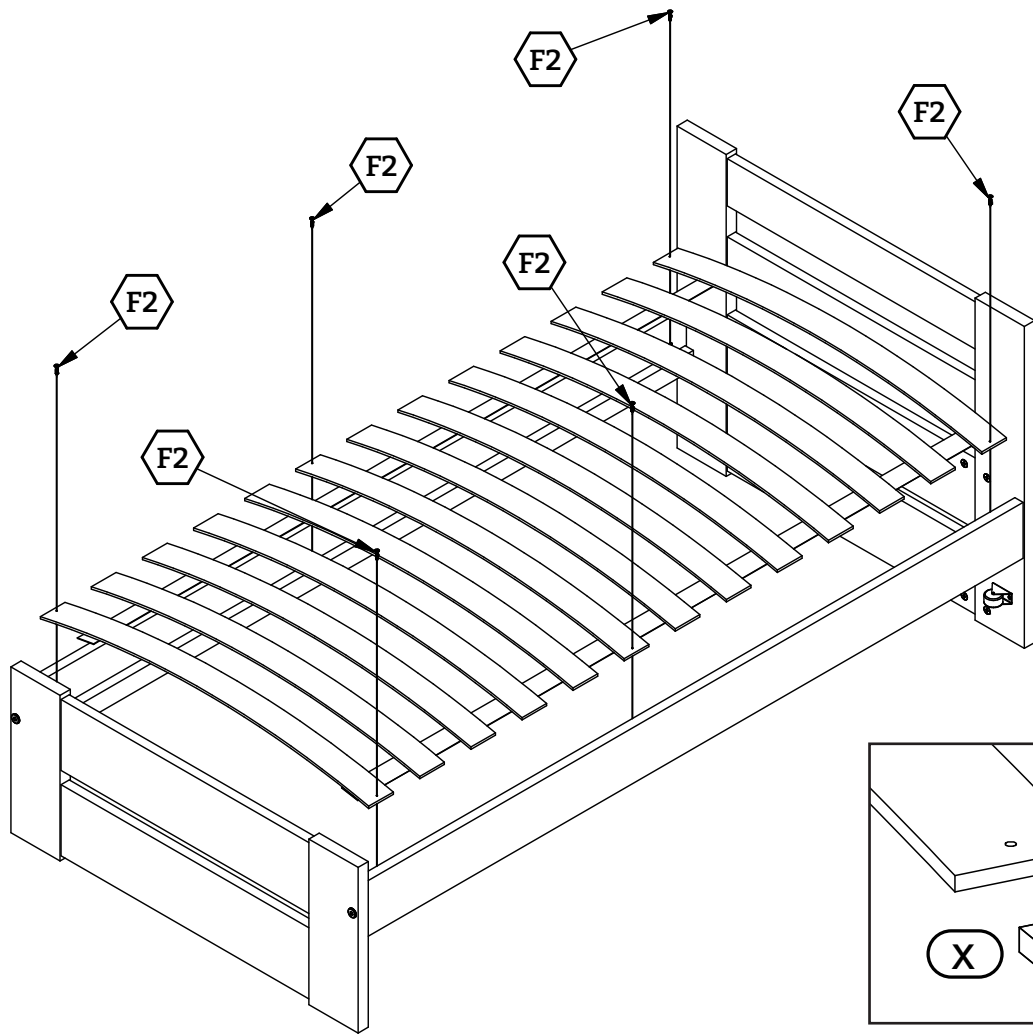
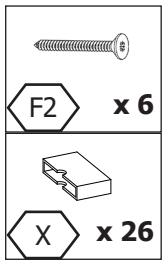
6



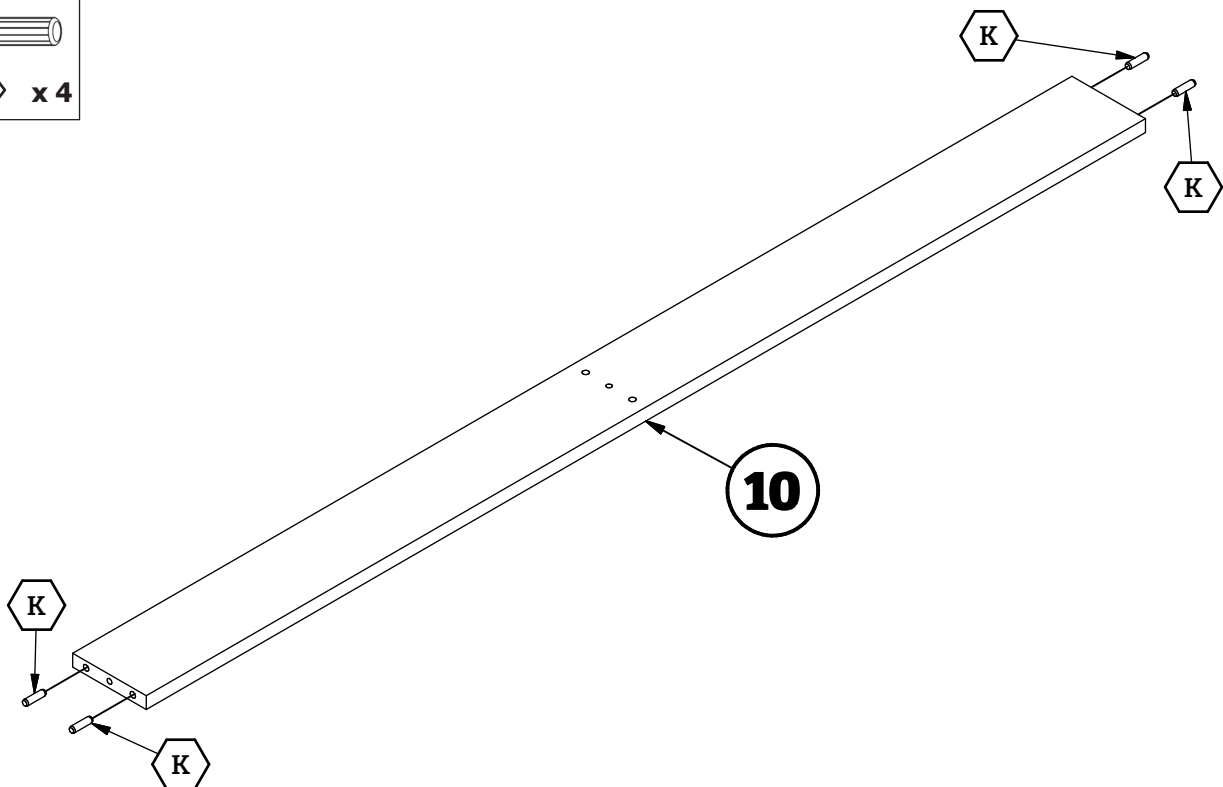
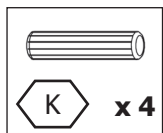
7



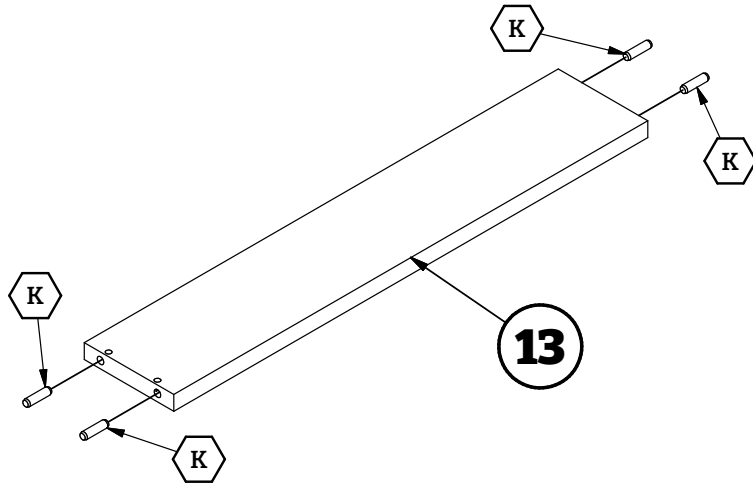
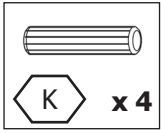
8



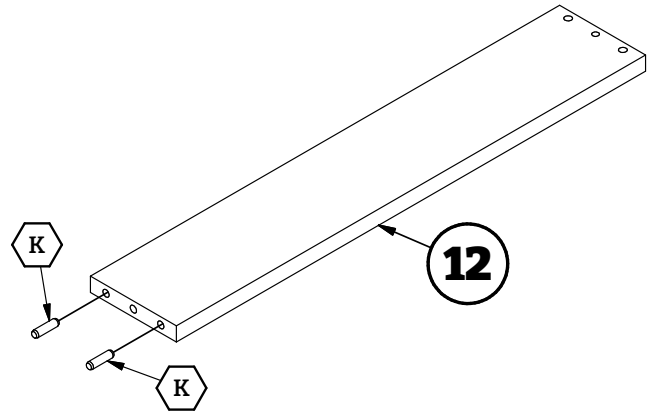
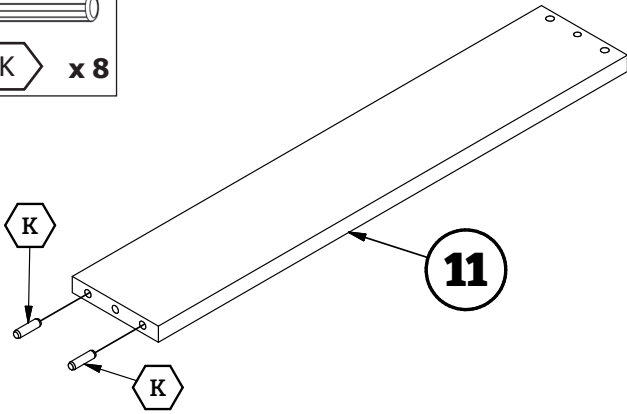
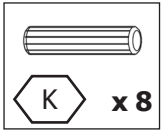
9



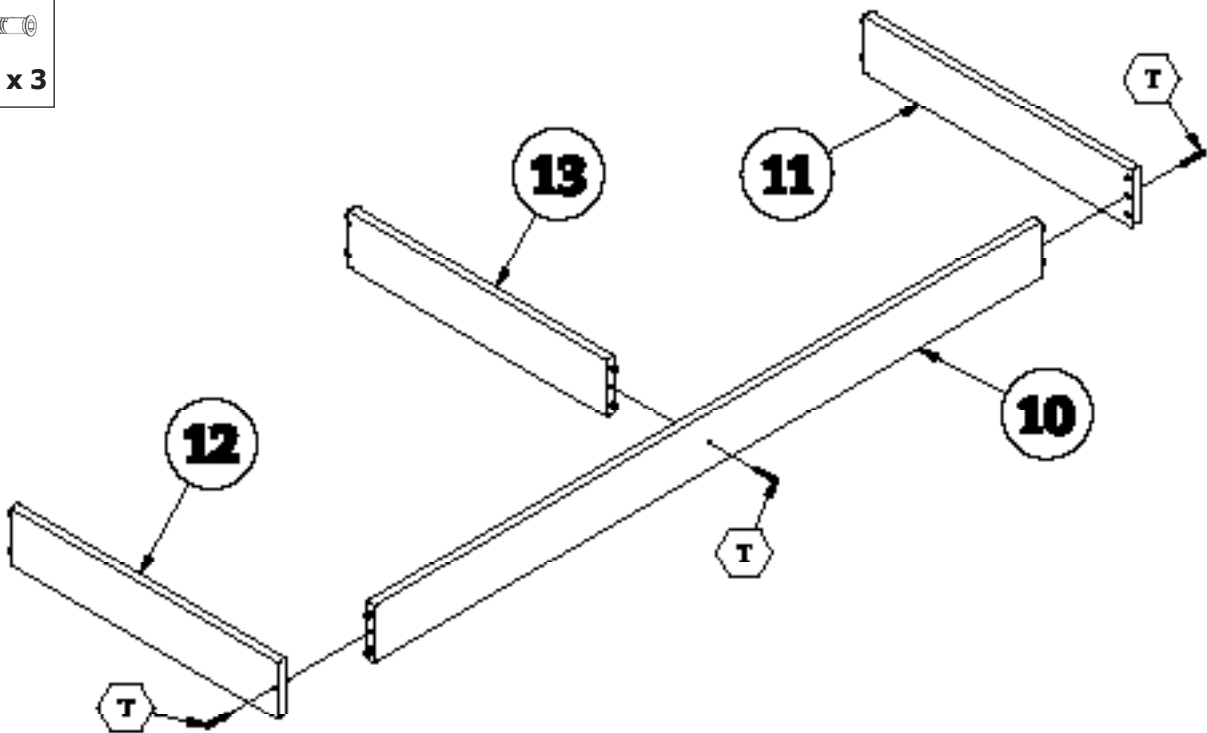
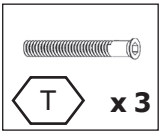
10



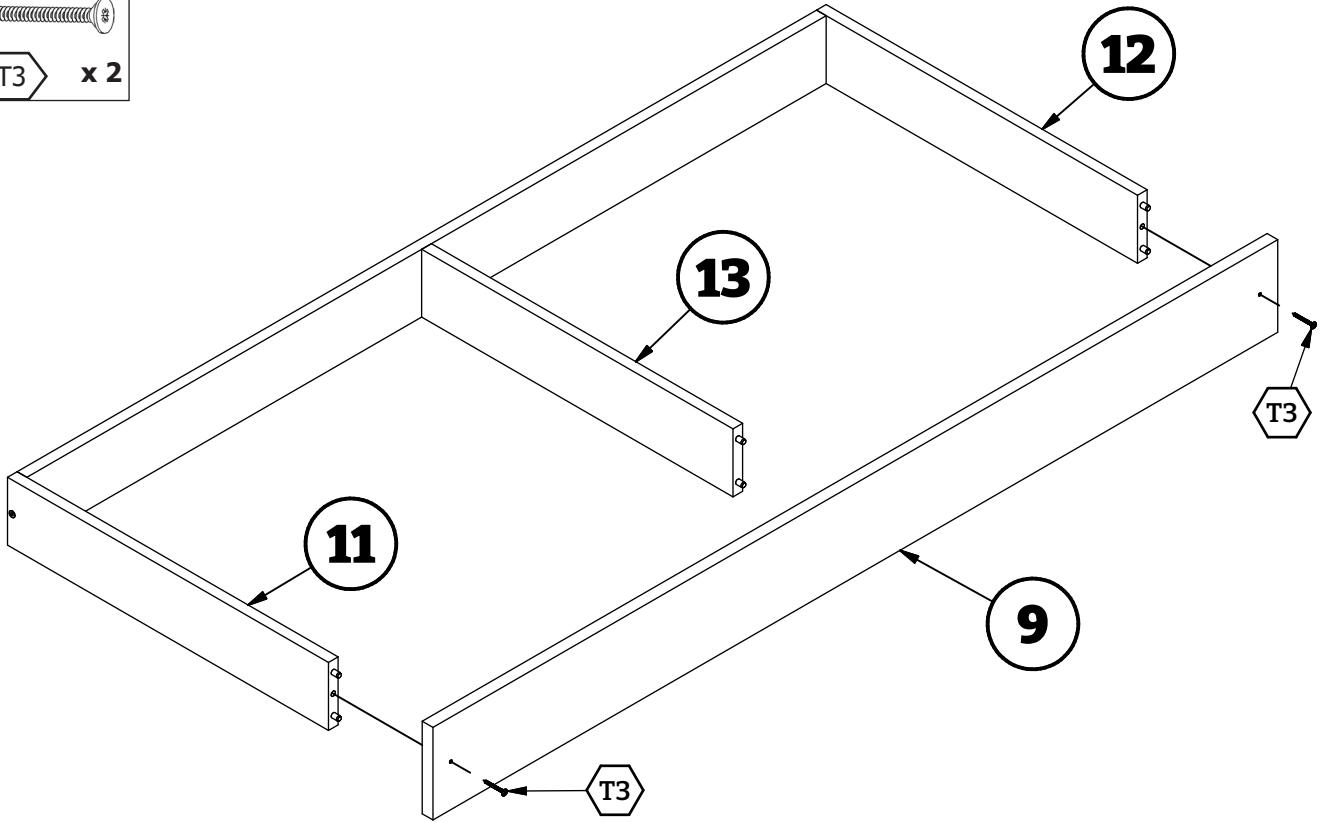
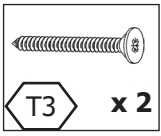
11



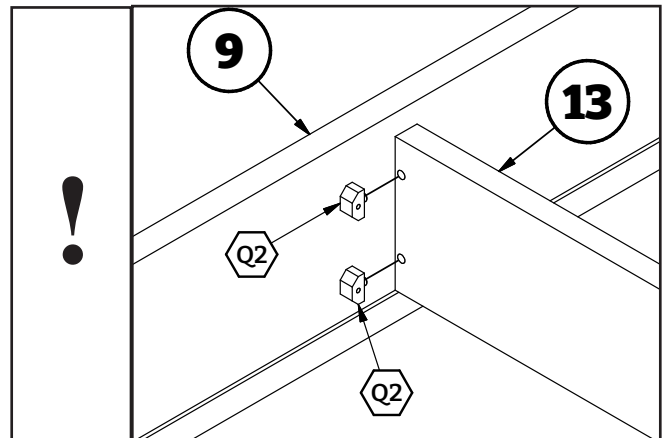
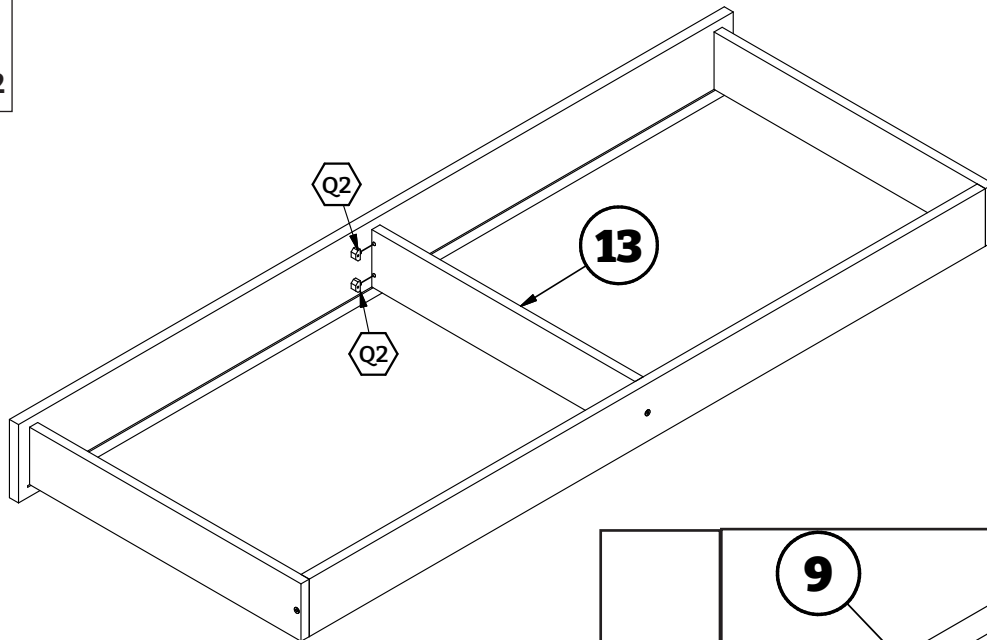
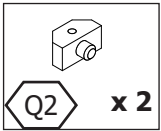
12



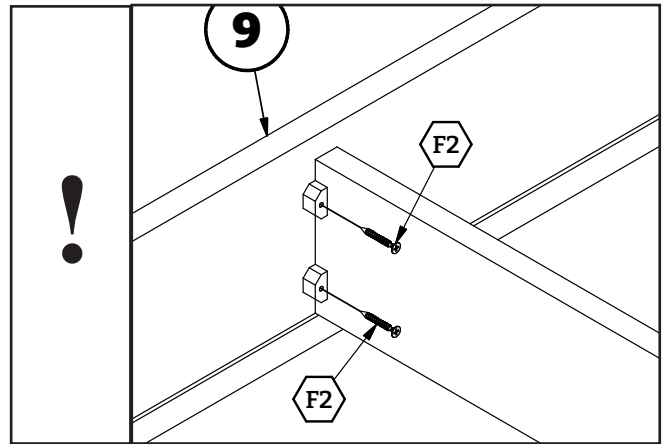
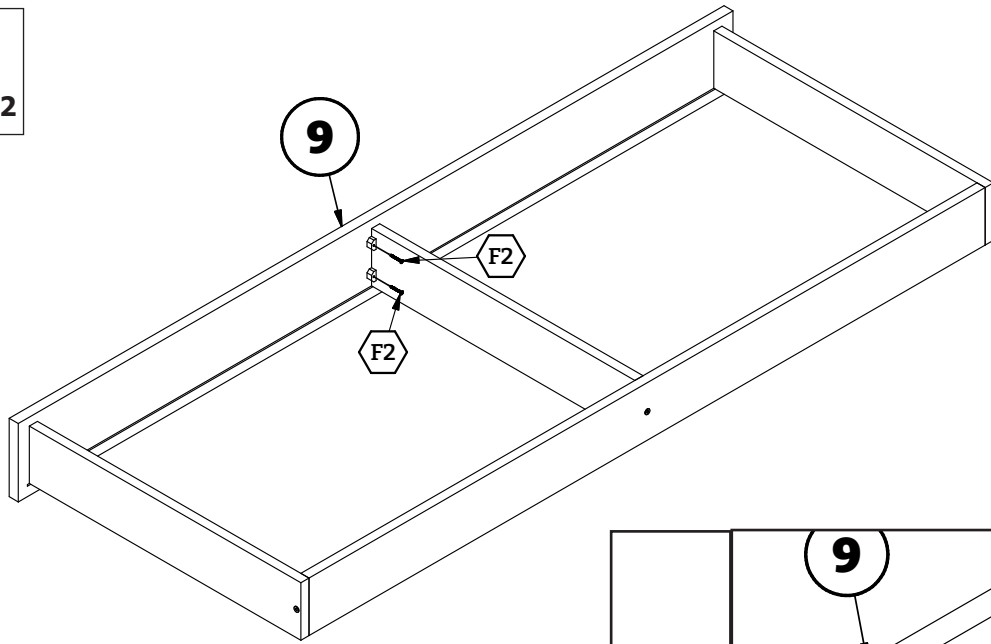
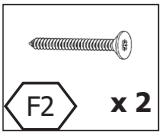
13



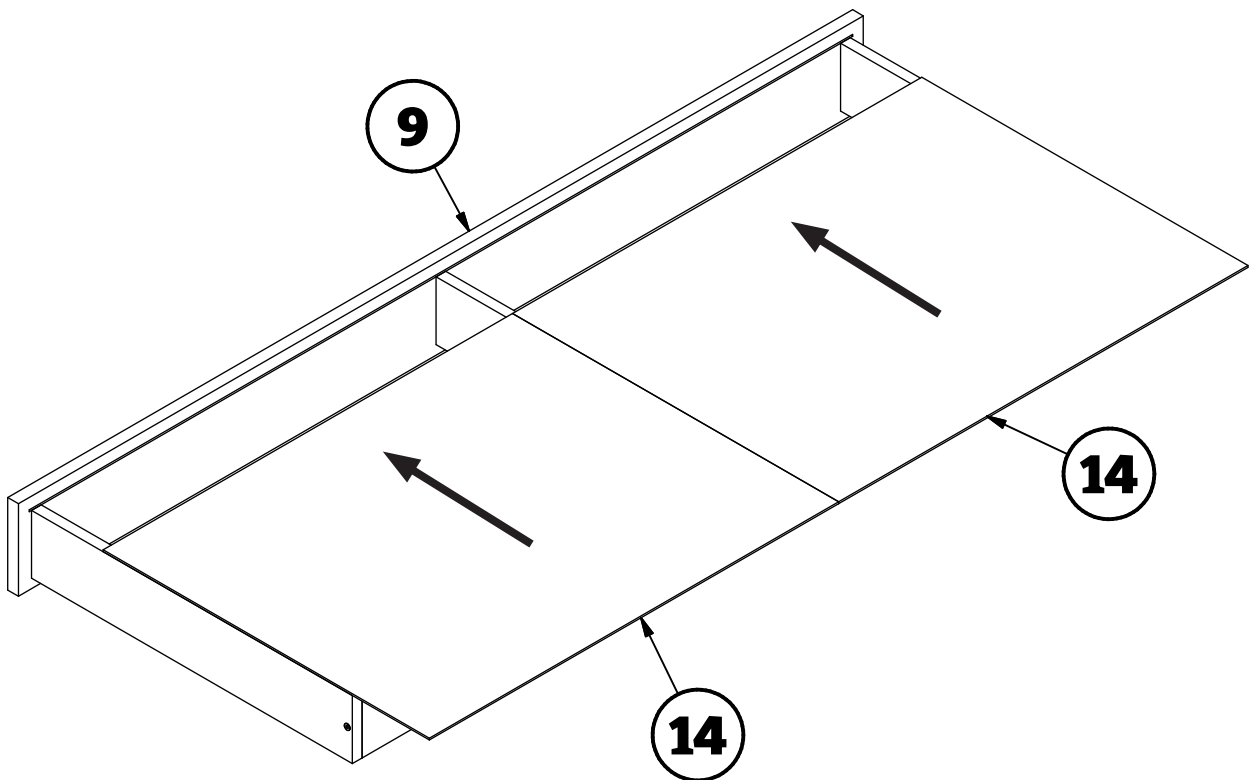
14



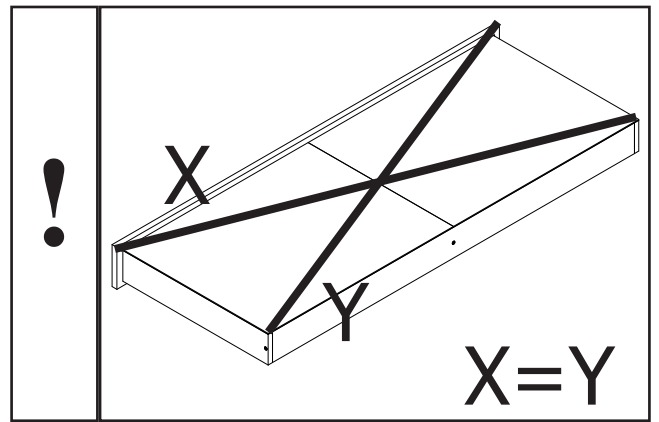
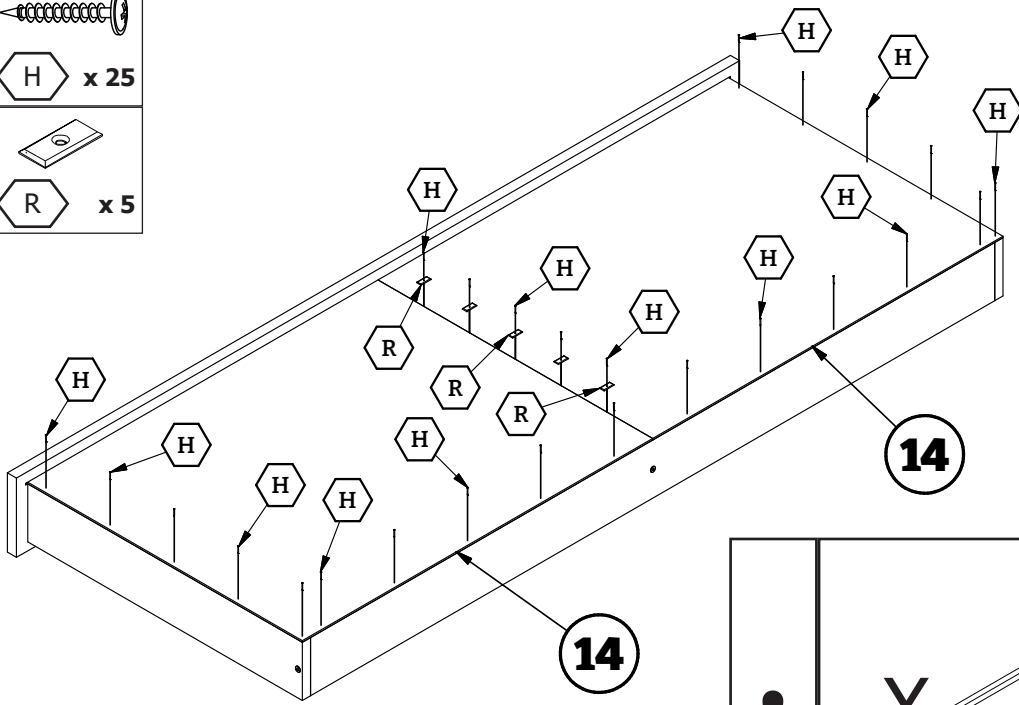
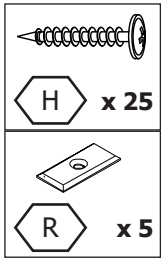
15



16



17



18

