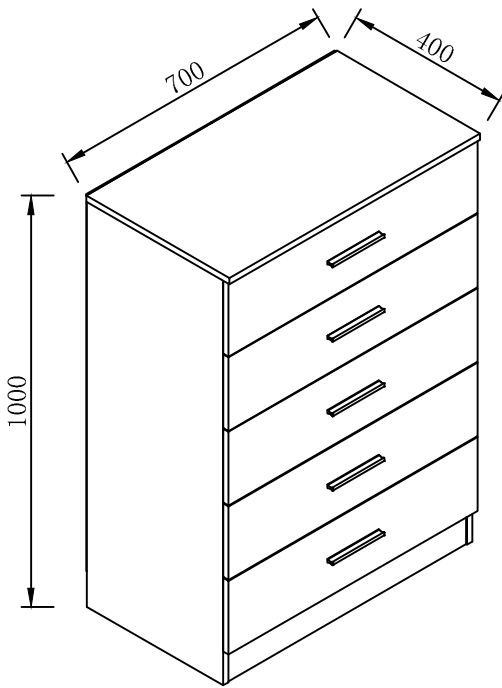


## REFLECT - 5 DRAWER CHEST ASSEMBLY INSTRUCTION

please read the instructions thoroughly BEFORE assembling



Please take care with small parts



Please do not move item when part or fully assembled

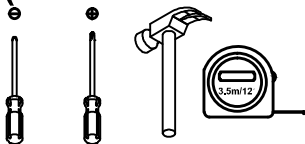
Size:(W)700 x (D)400 x (H)1000mm

Please Read these instructions BEFORE starting to assemble, to familiarise yourself with the stages of construction and to plan where to assemble the wardrobe. (as moving the item whilst partly assembled or failing to lift the item when fully assembled will cause damaged)

CAREFULLY open the fittings kit and check all parts are present against the instructions. Please DO NOT destroy or dispose of any packing until AFTER completing the final stage of assembly.

CAUTION: Small components are to be KEPT AWAY from young children to avoid the risk of choking.

### Tools Required (NOT PROVIDED)



### Person Required



### Approximate Assembly Time



1 Hour

## **IMPORTANT SAFETY AND ITEM CARE INFORMATION - PLEASE READ THOROUGHLY AND RETAIN INSTRUCTIONS FOR FUTURE REFERENCE**

### **INFORMATION**

- This product is intended for a maximum weight of 50kgs . **DO NOT Exceed** this weight as this would cause structural damage and failures
- Due to the size of this product we recommend that it is assembled in the room intended for use, as close to the final position as possible
- When you are ready to start, make sure that you have the right tools, plenty of space and a clean, dry area for assembly.
- Unwrap all packaging materials and place the components on top of the carton box or on a clean floor to prevent it from scratching.
- Check the pack and make sure you have all the parts listed.
- Ensure that this product is fully assembled as illustrated before use.
- Check all screws or bolts are tightened and inspect regularly.
- This product should only be used on firm, level ground.
- Keep small parts out of reach of children.
- Make sure the feet are securely in contact with the ground
- Tools not included.

### **WARNINGS**

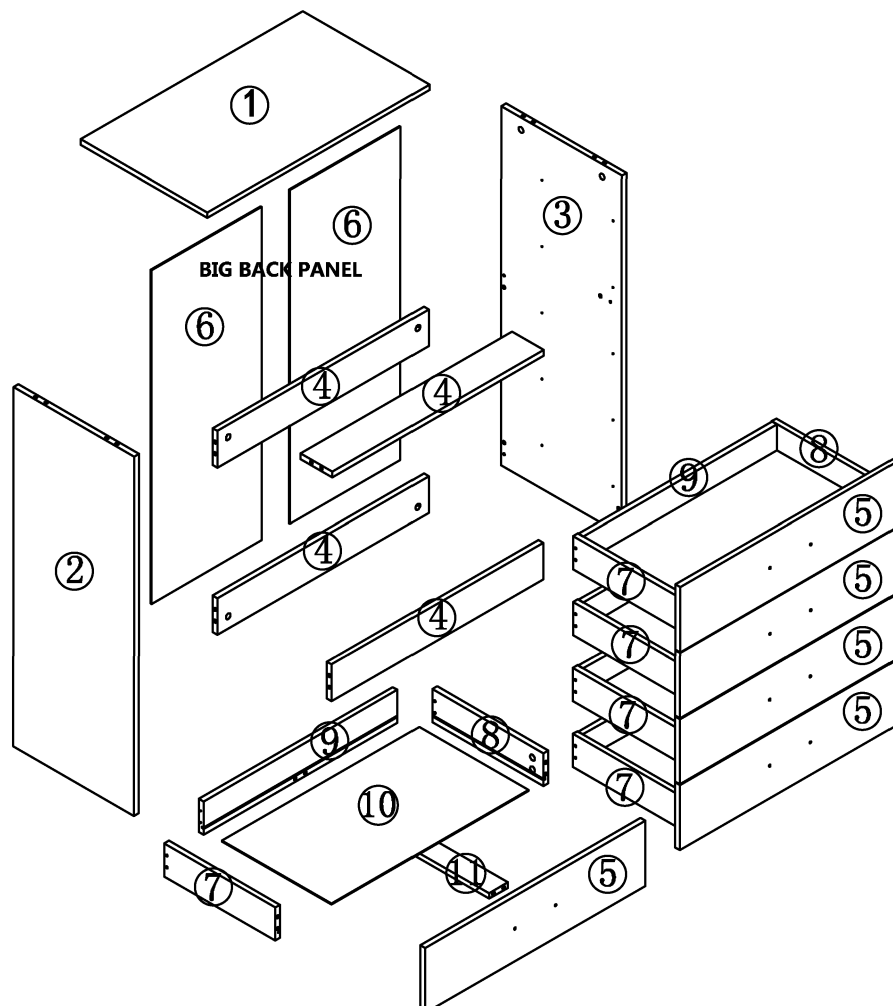
- Do NOT use power tools to construct this product.
- Do NOT tighten screws until fully assembled .
- Do NOT over tighten screws or bolts .
- Do NOT use this product if parts are missing , damaged or worn .
- Do NOT sit or stand on the product .
- We recommend the use of the wall strap provided for safety reasons . N.B. Wall fixings are not included - please source suitable fixings for your wall type . if in doubt please consult a qualified trade person. Warning: Always ensure the area to be drilled is free from hidden electrical wires , water and gas pipes.

### **CARE INFORMATION**

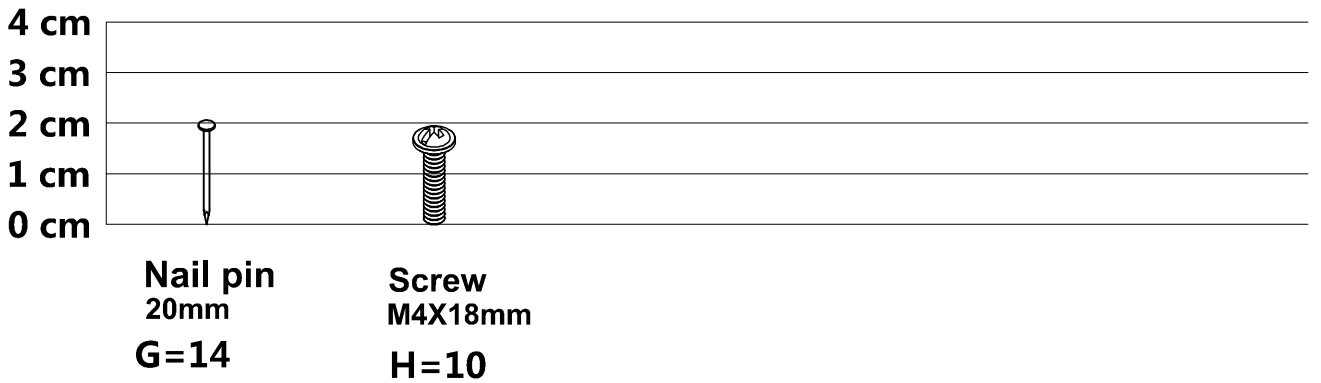
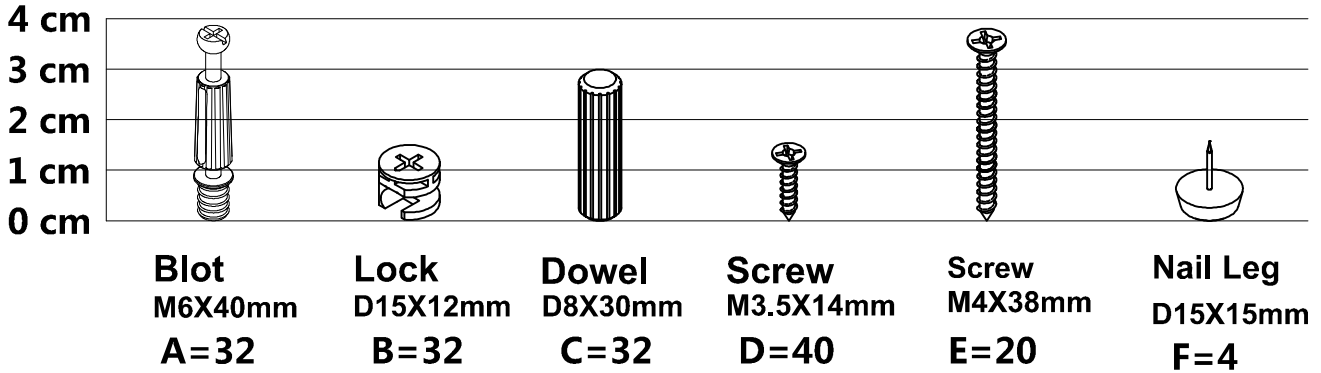
- Never use scourers , abrasives or chemical cleaners.
- To clean wipe with a sponge and warm soapy water . do not use solvent based cleaners or detergents as they can bleach or damage the product.

Please check the pack contents before assembling the product. If any components are missing, please contact your retailer. The fittings pack contains small items that should be kept away from small children.

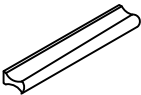
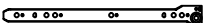
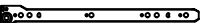
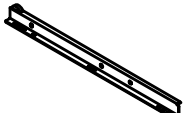
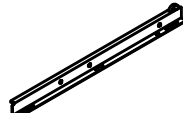
CODE	PART NAME	QTY	CODE	PART NAME	QTY
1	700X400X15MM TOP PANEL	1PC	9	609X90X15MM DRAWER BACK PANEL	5PCS
2	980X380X15MM LEFT SIDE PANEL	1PC	10	620X345X3MM DRAWER BASE PANEL	5PCS
3	980X380X15MM RIGHT SIDE PANEL	1PC	11	335X60X15MM DRAWER BOTTOM SUPPORT	5PCS
4	665X100X15MM BOTTOM & MIDDLE CROSS BAR	4PCS			
5	696X179X15MM DRAWER FRONT PANEL	5PCS			
6	910X347X3MM BACK PANEL	2PCS			
7	350X90X15MM DRAWER LEFT SIDE PANEL	5PCS			
8	350X90X15MM DRAWER RIGHT SIDE PANEL	5PCS			



# Fixings (to scale)



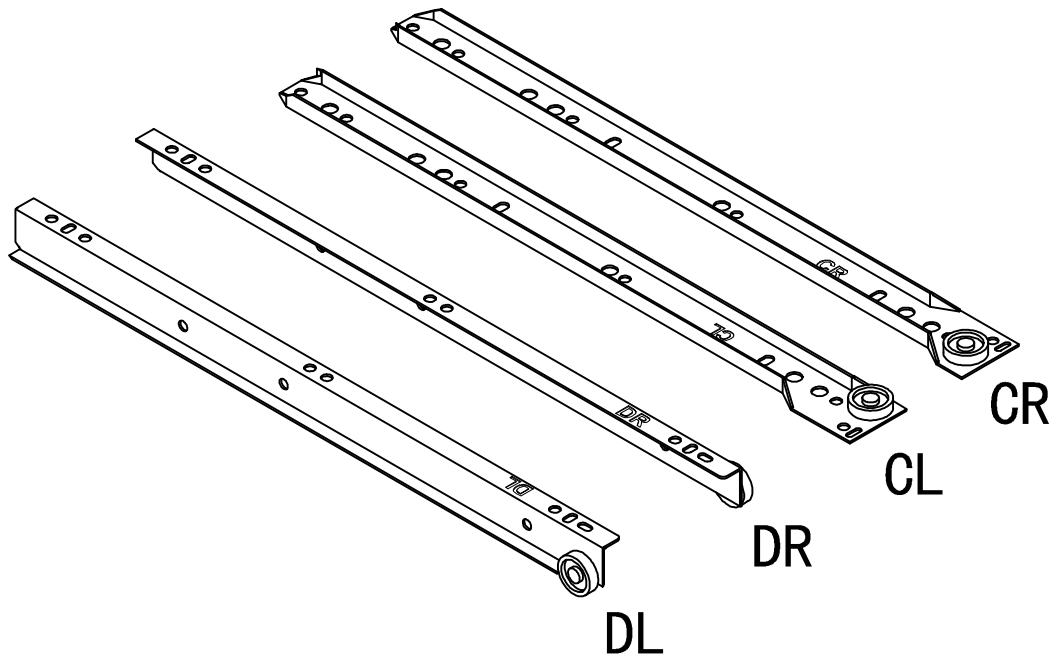
# Fixings (not to scale)

J=5  Handles 128mm	CR=5  Outer Drawer Runner - Right	CL=5  Outer Drawer Runner - Left	DR=5  Inner Drawer Runner - Right	DL=5  Inner Drawer Runner - Left	

# Drawer Runner Instruction

**IMPORTANT - Please Read It Carefully.**

**NOTE: 1 PAIR DRAWER RUNNER INCLUDES 4 PIECES.**

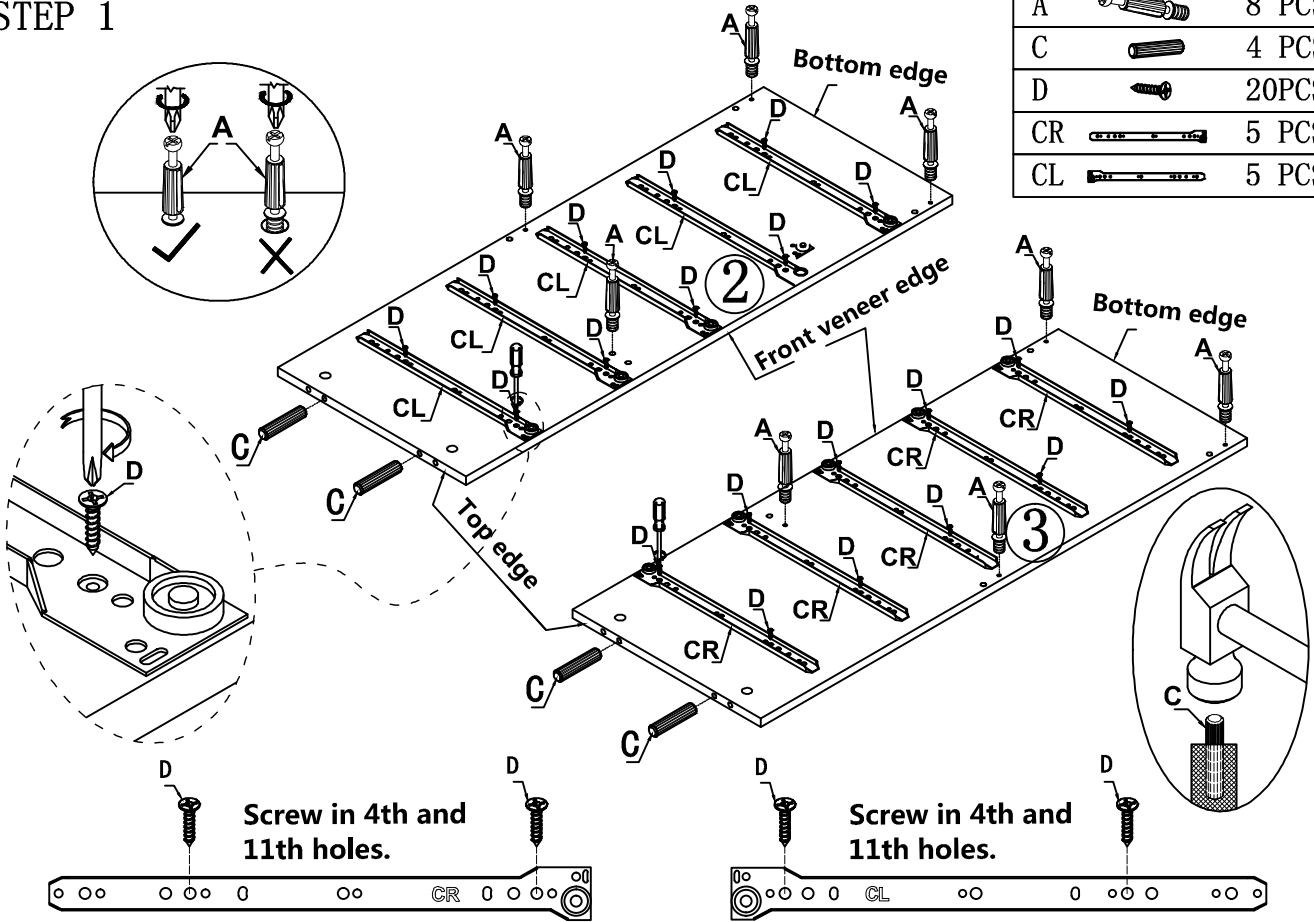


## Fittings (not to scale)

NO.	DESCRIPTION	QTY		
CR	Outer Drawer Runner - Right	5PCS		
CL	Outer Drawer Runner - Left	5PCS		
DR	Inner Drawer Runner - Right	5PCS		
DL	Inner Drawer Runner - Left	5PCS		

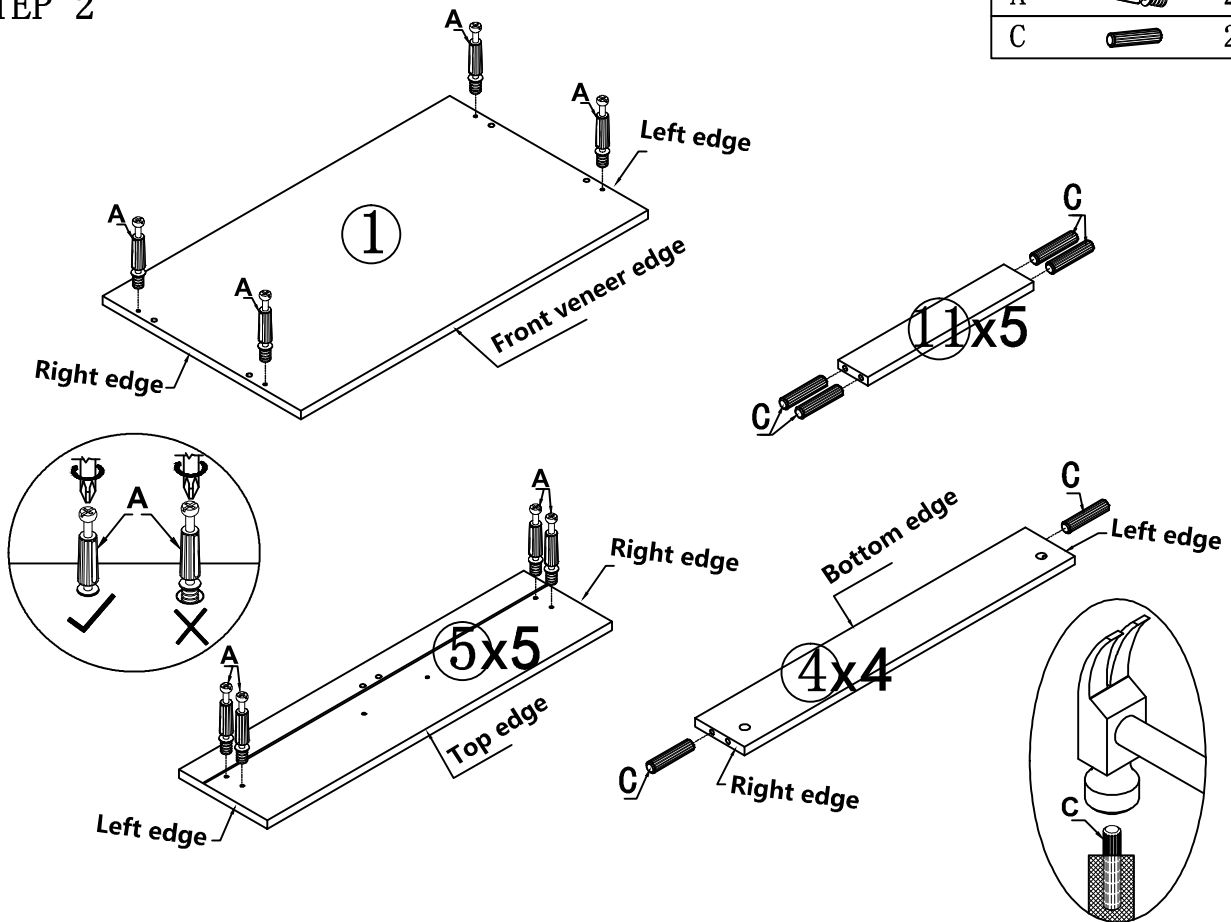
# STEP 1

A		8 PCS
C		4 PCS
D		20PCS
CR		5 PCS
CL		5 PCS



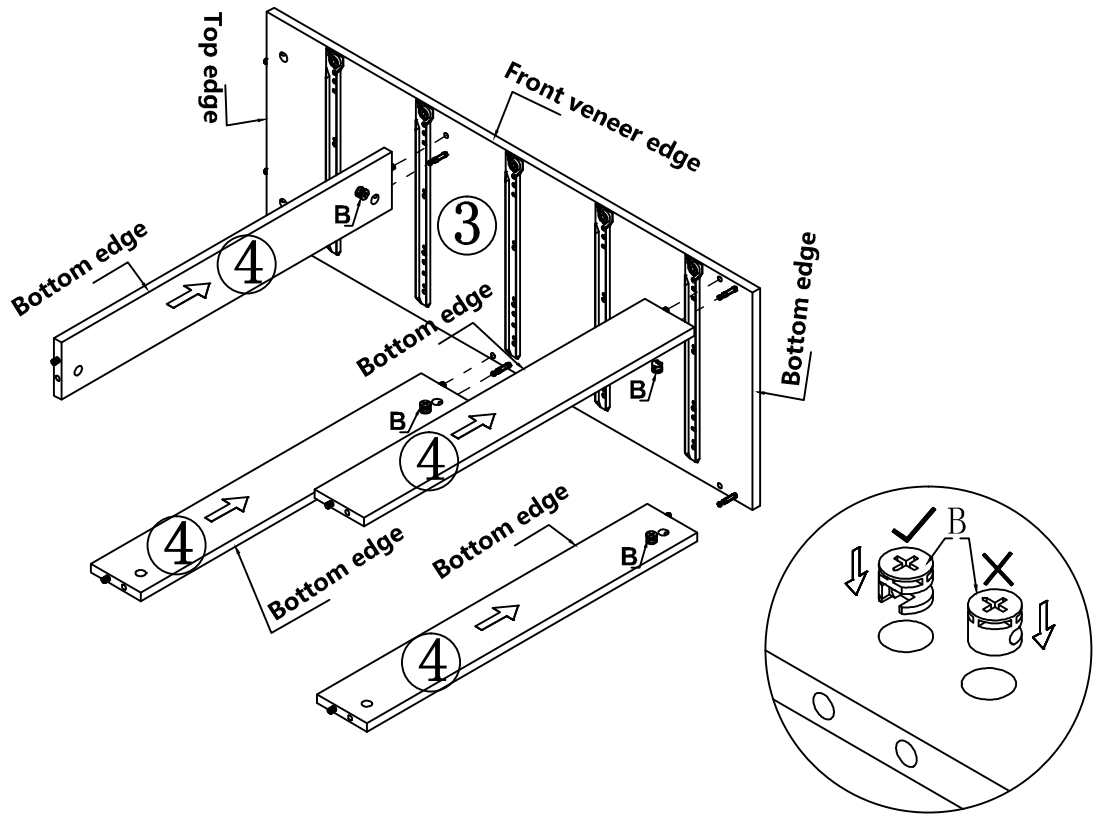
# STEP 2

A		24PCS
C		28PCS



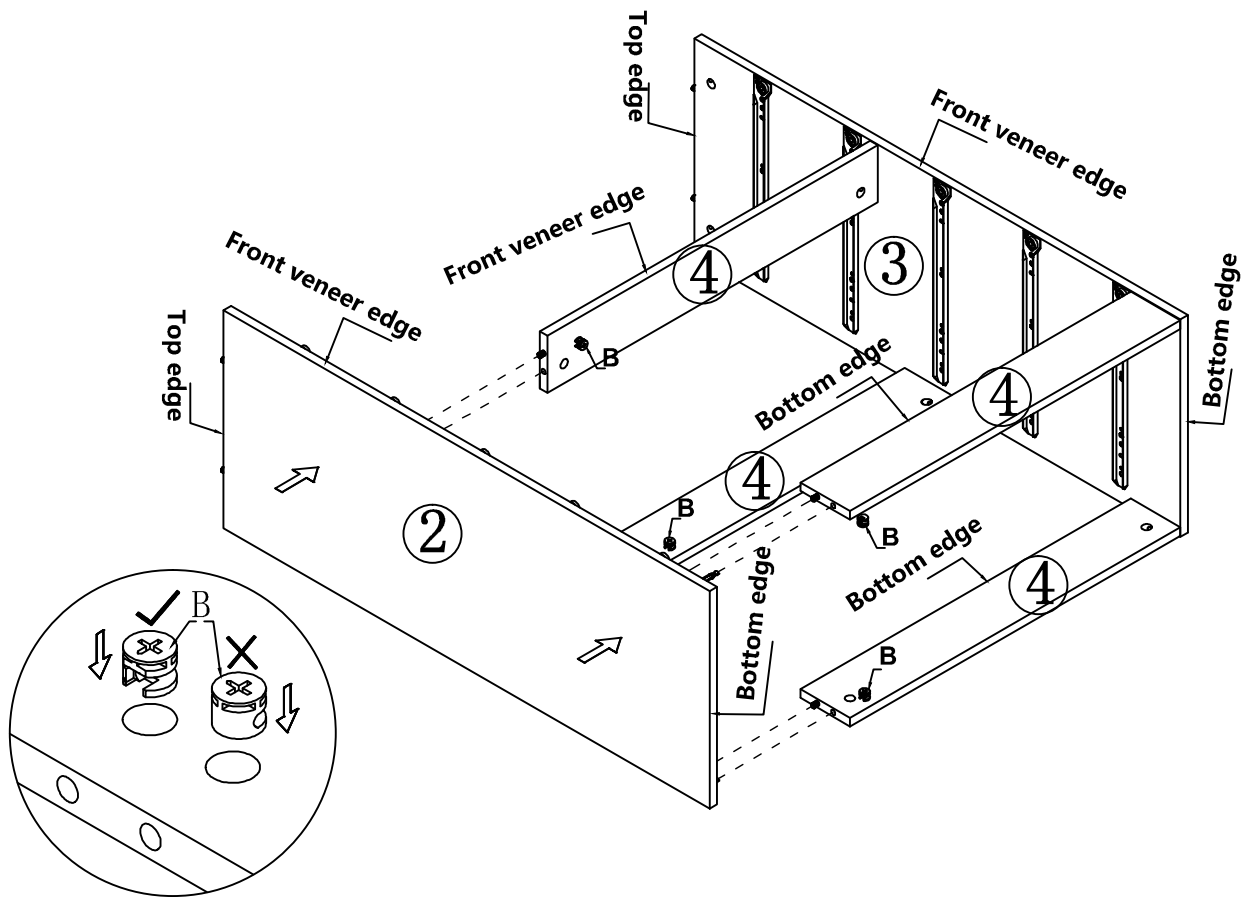
STEP 3

B  4 PCS



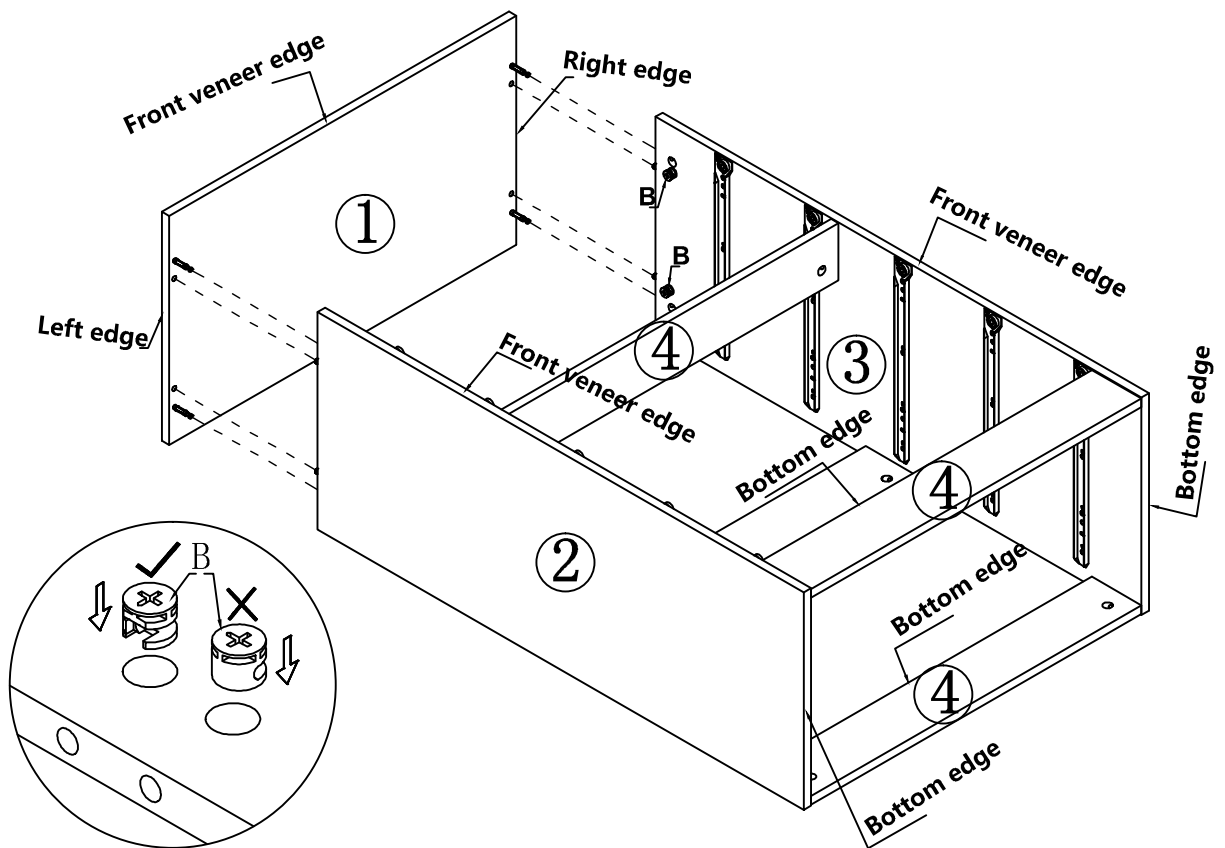
STEP 4

B  4 PCS





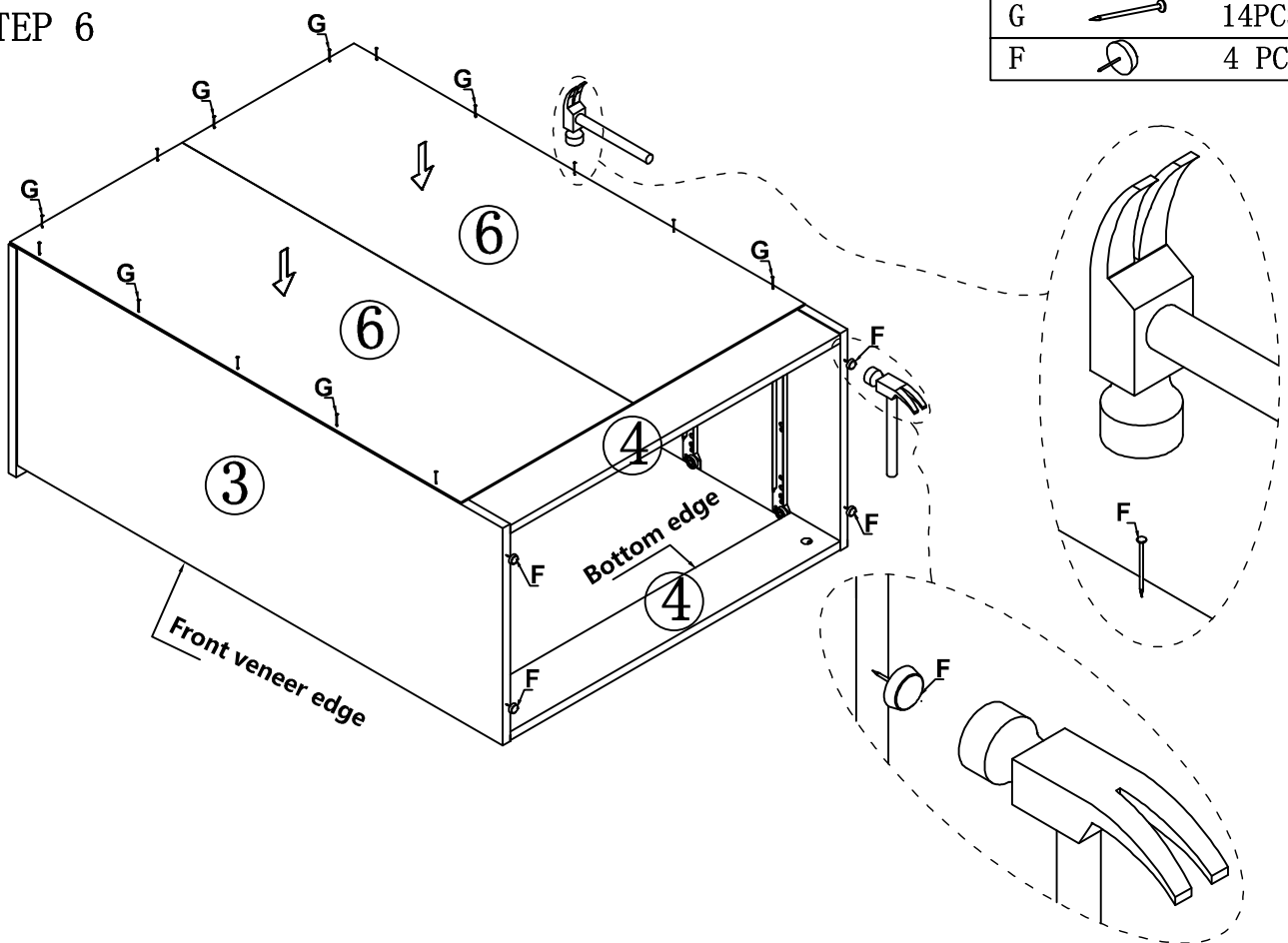
STEP 5

B  4 PCS



STEP 6

G  14PCS  
 F  4 PCS

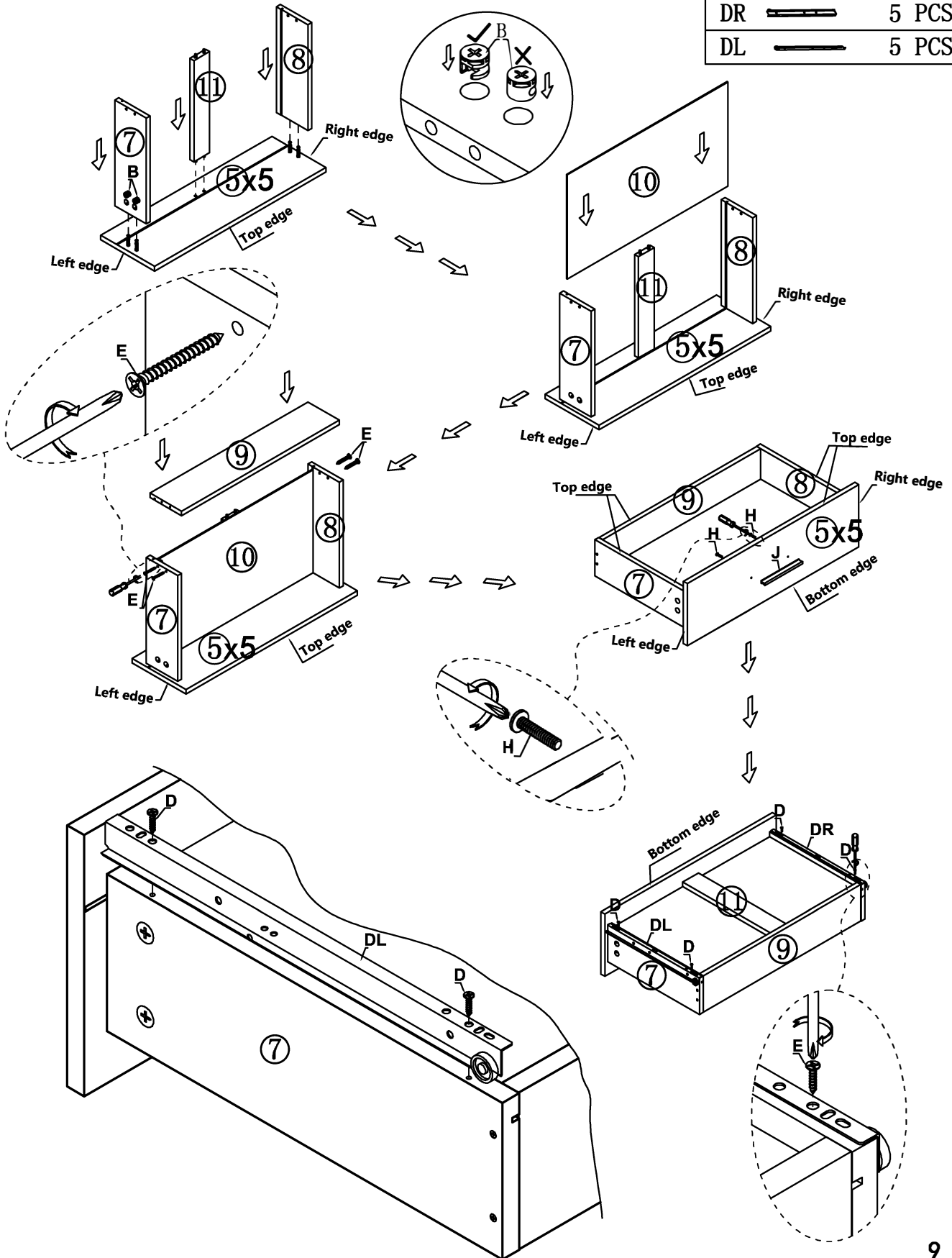


# STEP 7

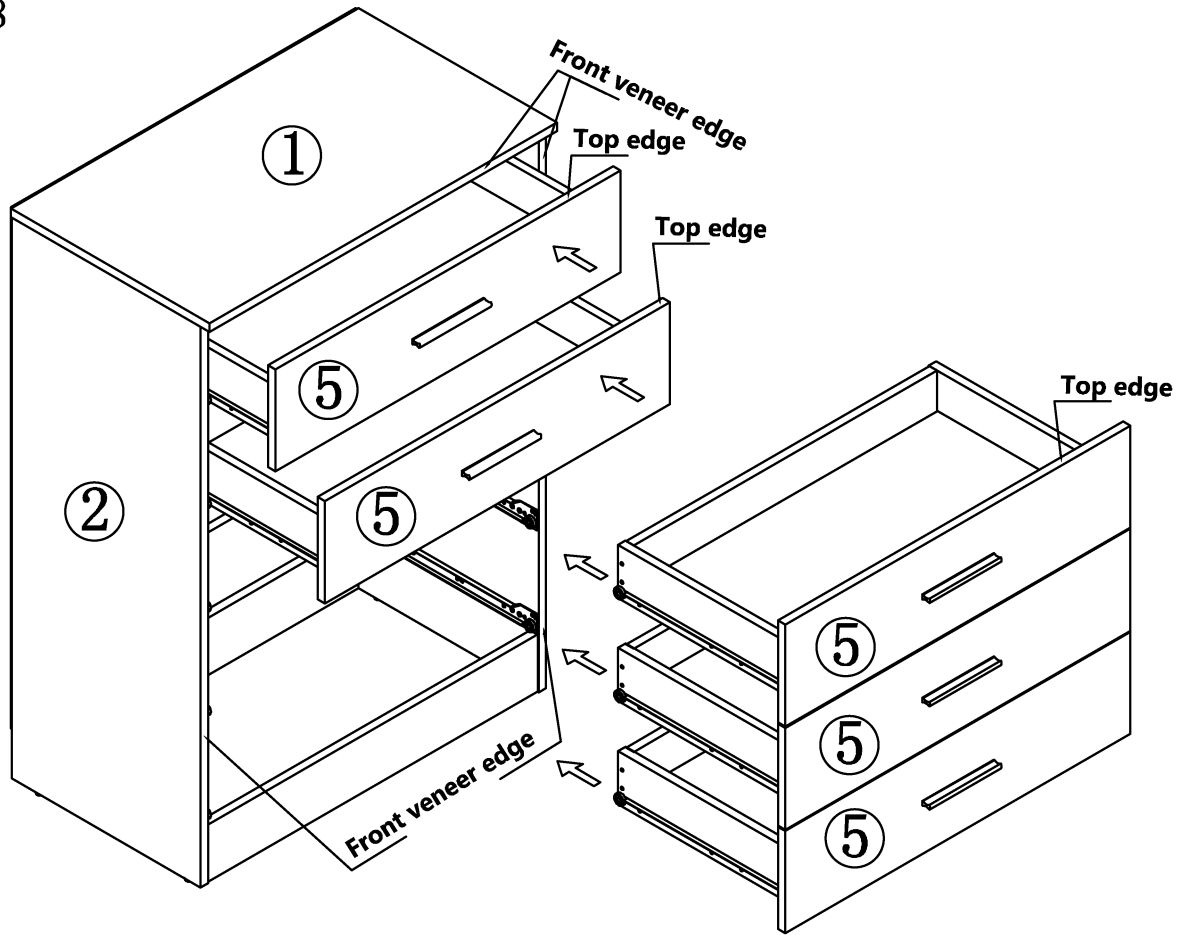


**Pls turn the drawer upside down to fit the runners and make sure the runner wheels go at the BACK of the drawers, failure to assemble correct way will misaligned the drawers.**

B		20PCS
E		20PCS
J		5 PCS
D		20PCS
H		10PCS
DR		5 PCS
DL		5 PCS



STEP 8



STEP 9

