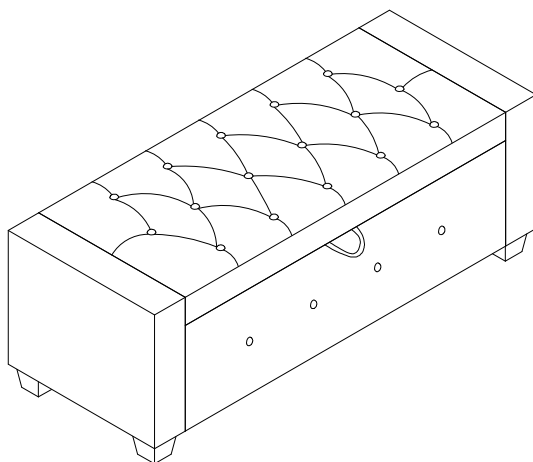







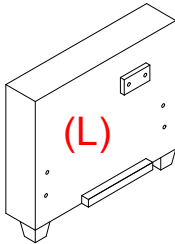
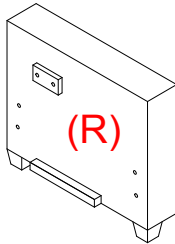
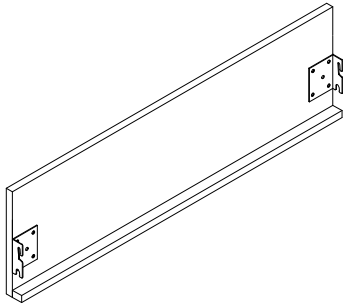
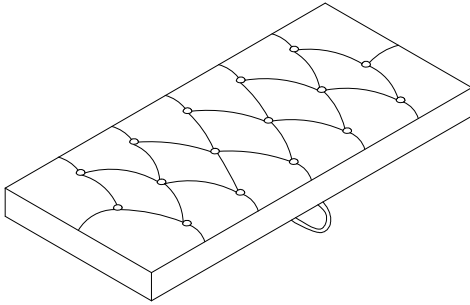
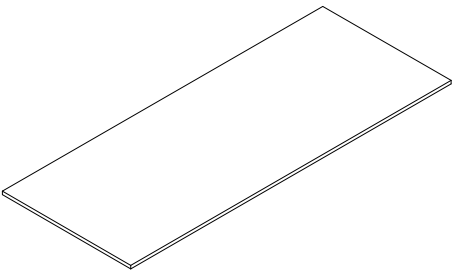


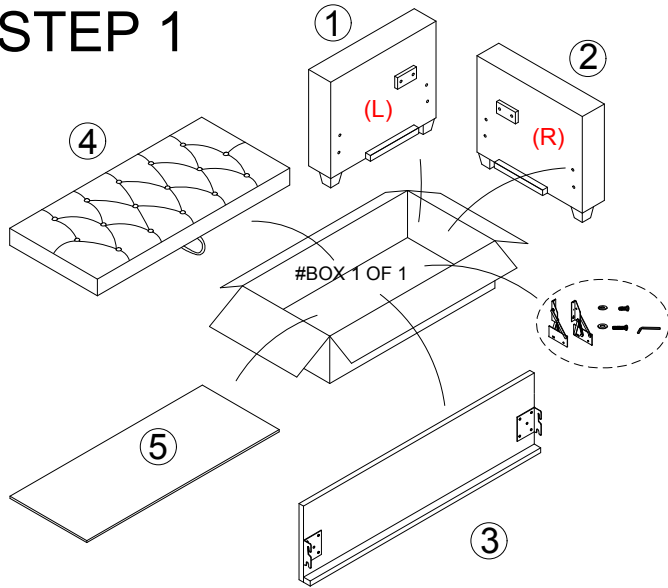
# ① ASSEMBLY INSTRUCTION



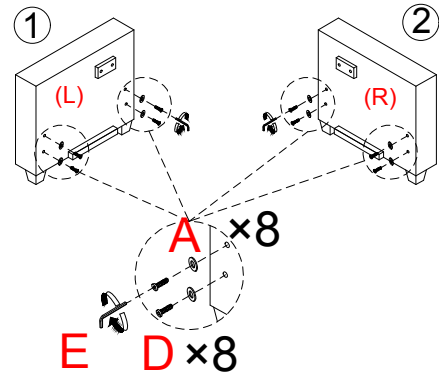
Components/QTY	Components/QTY	Components/QTY
A 8PCS  <b>1/4* 19MM</b>	B 8PCS 	C 8PCS  <b>1/4* 20MM</b>
D 8PCS  <b>1/4* 25MM</b>	E 1PC  <b>1/4* 80MM</b>	F 1PC  (L)
H 1PC  (R)		
① 1PC  (L)	② 1PC  (R)	③ 2PCS 
④ 1PC 	⑤ 1PC 	

# ② ASSEMBLY INSTRUCTION

## STEP 1

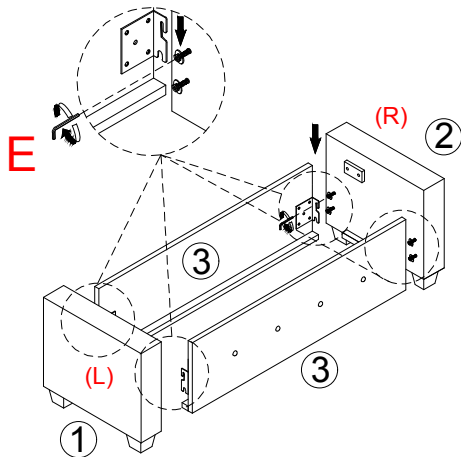


## STEP 2



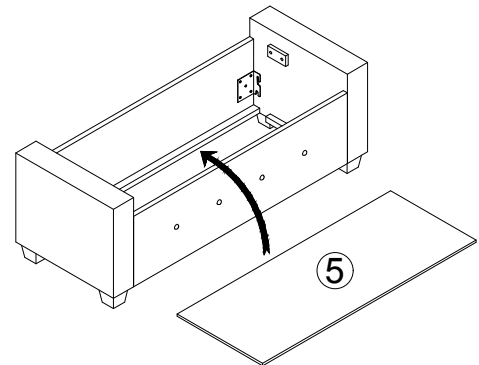
Put on the screw first,  
but do not tighten it.

## STEP 3

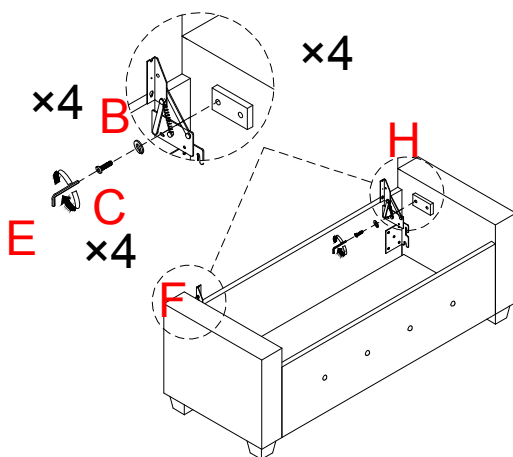


Hang the front panel on the screw,  
then tighten it.

## STEP 4



## STEP 5



## STEP 6

