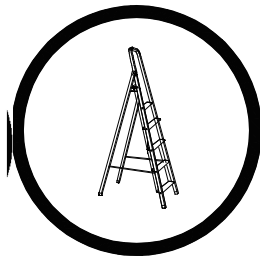
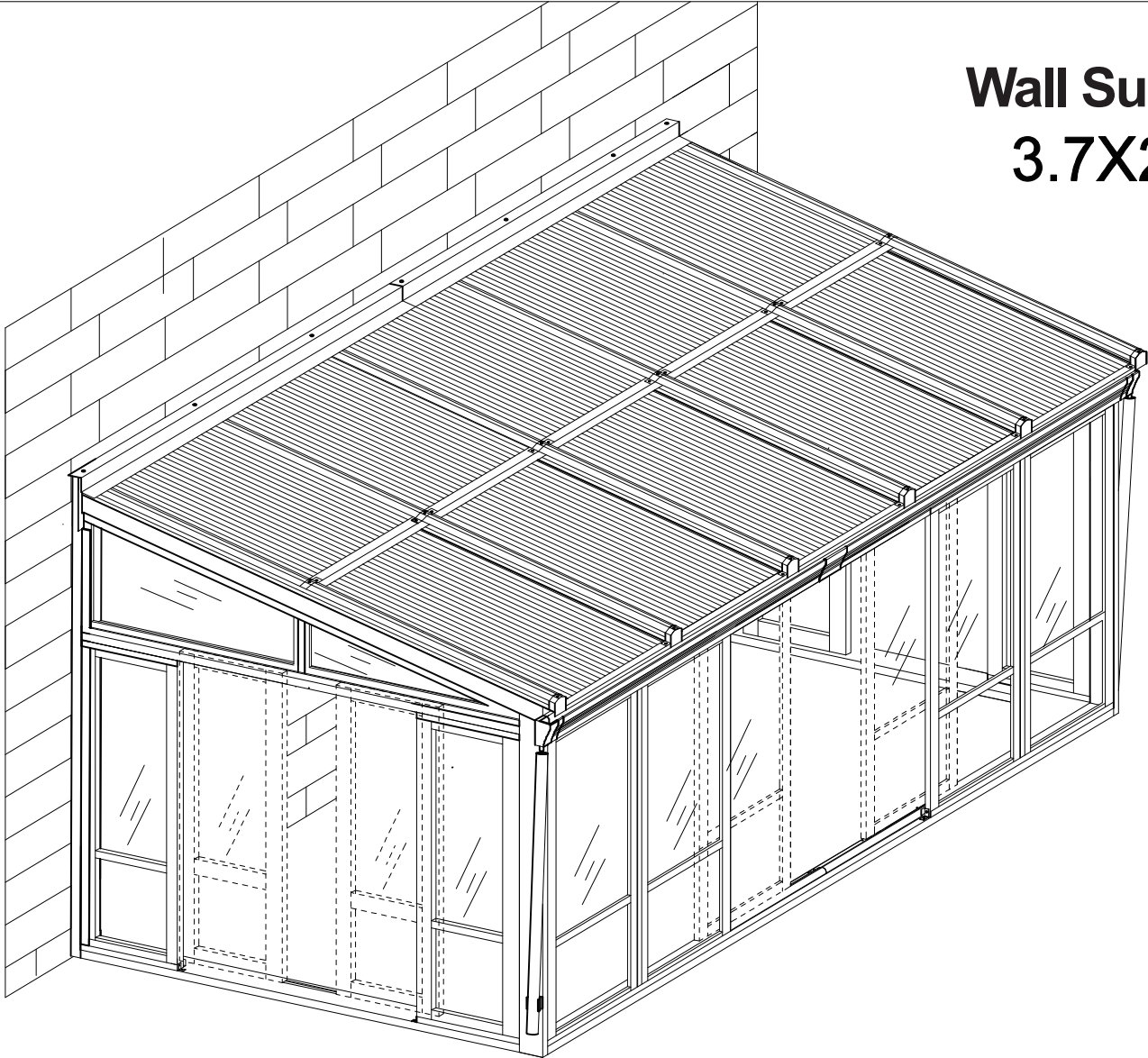
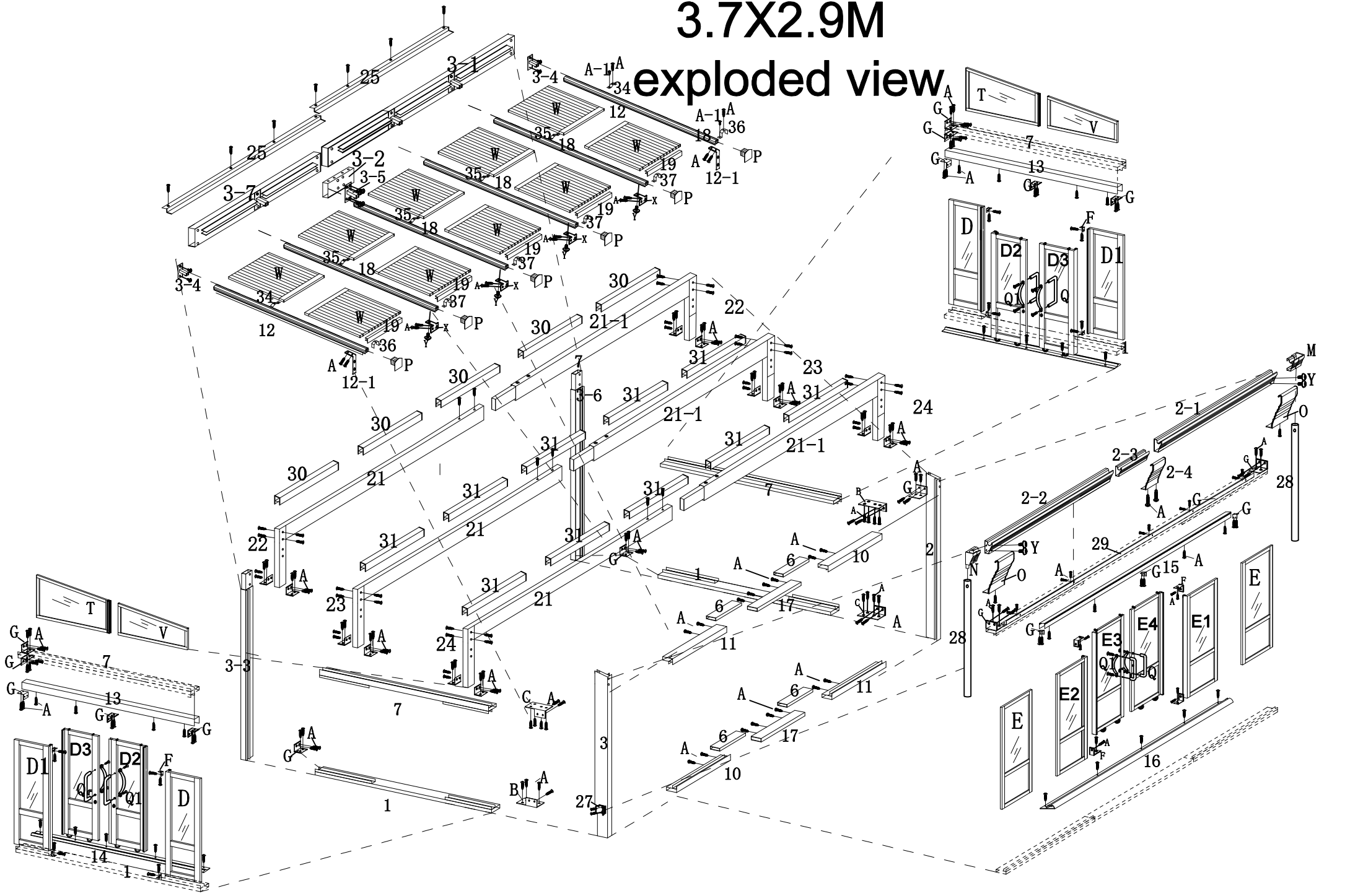




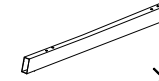
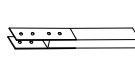
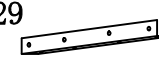

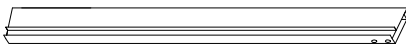

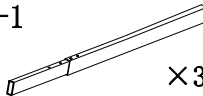
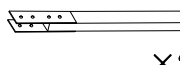
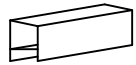



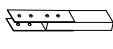
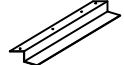
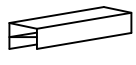



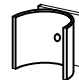
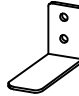

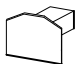

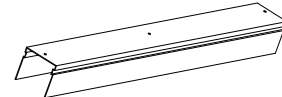
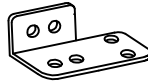
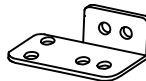
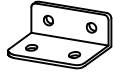


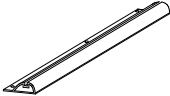

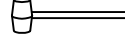
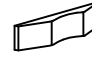
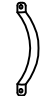
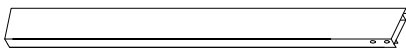
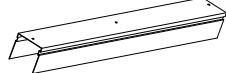

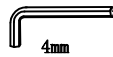


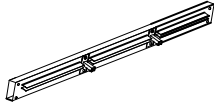
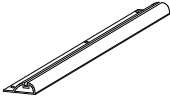


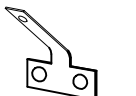
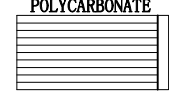
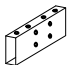
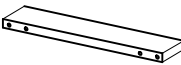
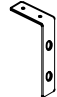

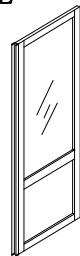

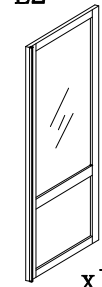


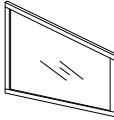
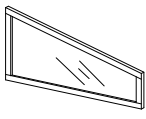
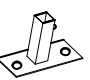

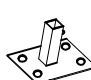
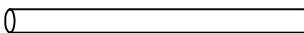
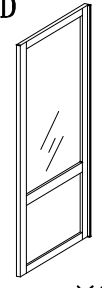
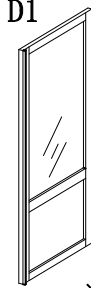
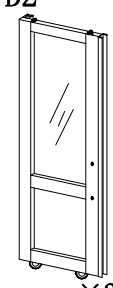
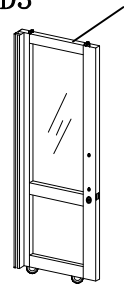
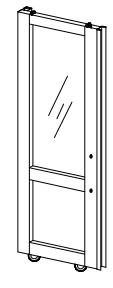
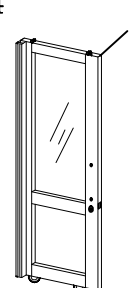



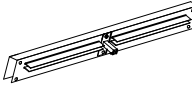


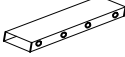
Wall Sun Room 3.7X2.9M

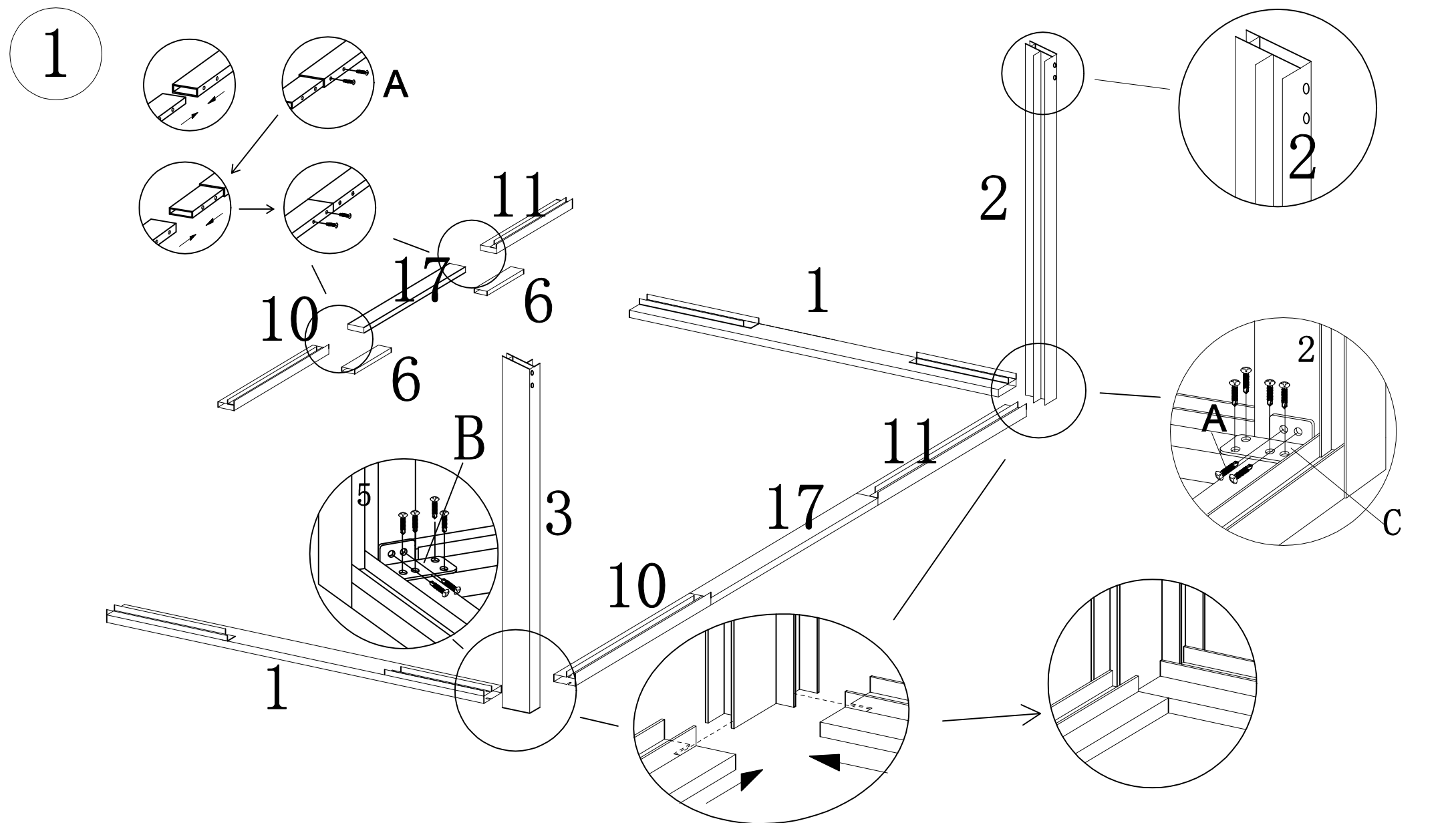


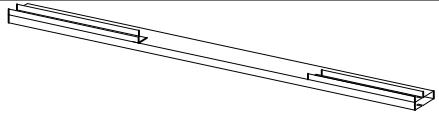
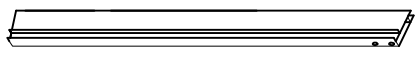
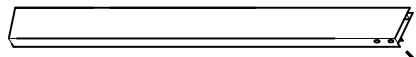



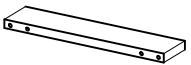
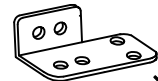
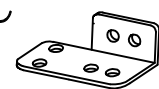
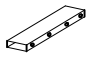
3.7X2.9M

exploded view

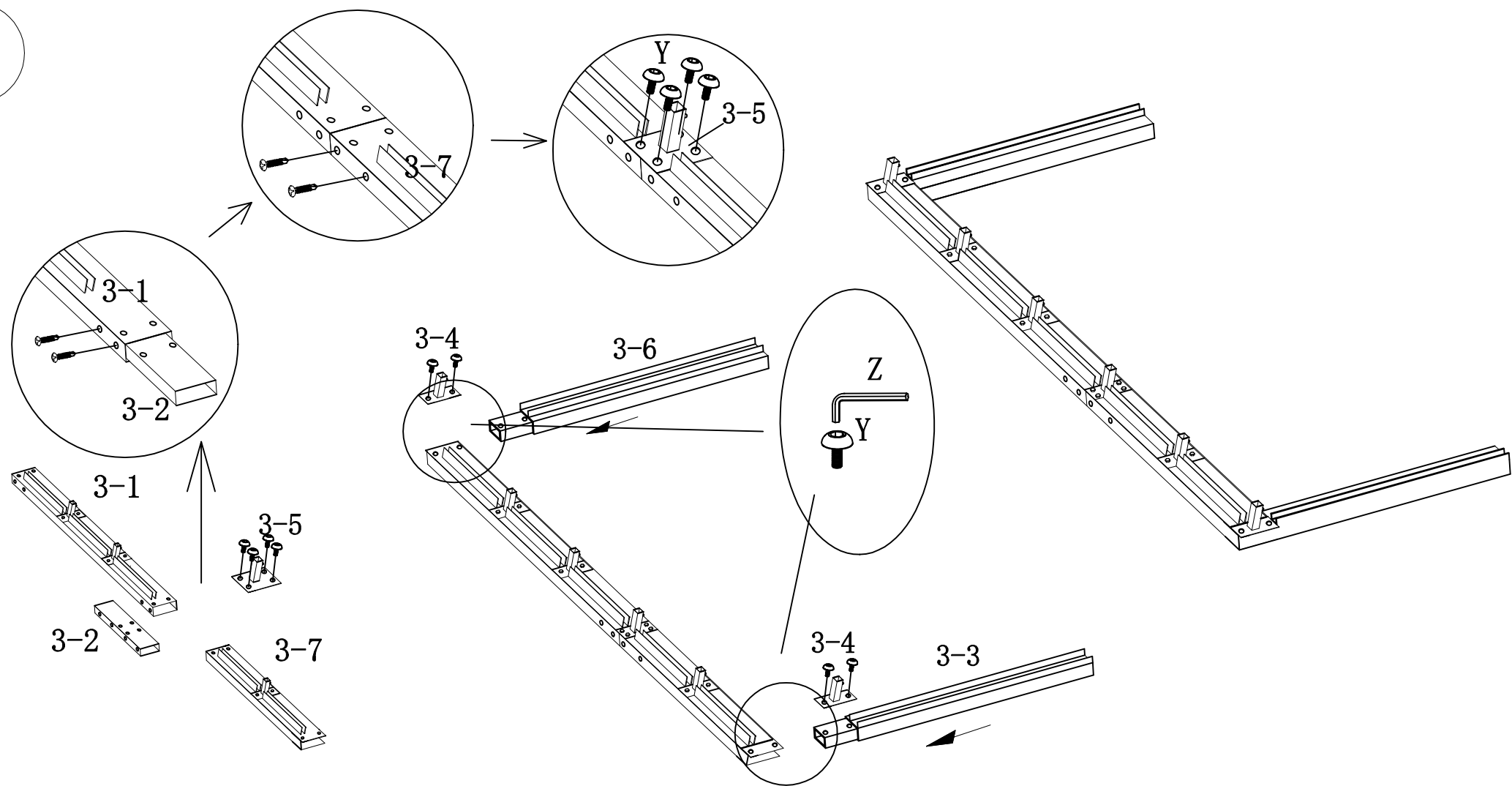


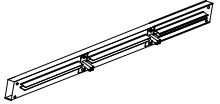
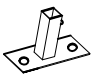
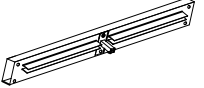
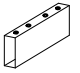
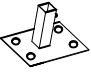




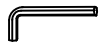
1  ×2	7  ×2	21  ×3	23  ×2	29  ×2	M  ×1		
2  ×1	10  ×2	21-1  ×3	24  ×2	30  ×5	N  ×1		
2-1  ×1	11  ×2	22  ×2	25  ×2	31  ×10	O  ×2		
2-2  ×1	12  ×2	27  ×2	H  ×3	A  ×300	P  ×6		
2-3  ×1	13  ×2	B  ×2	C  ×2	G  ×29	F  ×12		
2-4  ×1	14  ×2	I  ×10	J  ×1	K  ×6	Q1  ×6		
3  ×1	15  ×1	Y  ×18	Z  ×2	26  50M	32  ×50		
3-1  ×1	16  ×1	33  5M ×1	Q  ×6	X  ×4	W  POLYCARBONATE ×10		
3-2  ×1	17  ×2	12-1  ×2	A-1  ×20	E  ×2	E1  ×1	E2  ×1	
3-3  ×1	18  ×4	T  ×2	V  ×2				
3-4  ×2	19  ×5						
3-5  ×1	28  ×2	D  ×2	D1  ×2	D2  ×2	D3  ×2	E3  ×1	E4  ×1
3-6  ×1	34  ×2	35  ×4					
3-7  ×1	36  ×2	37  ×4					
6  ×4							



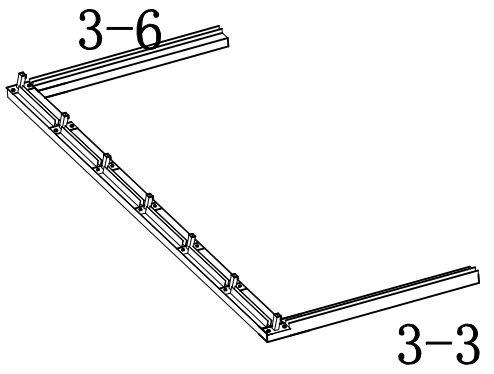
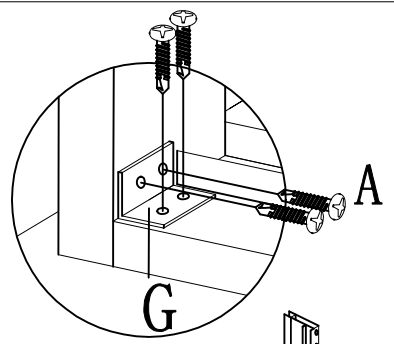
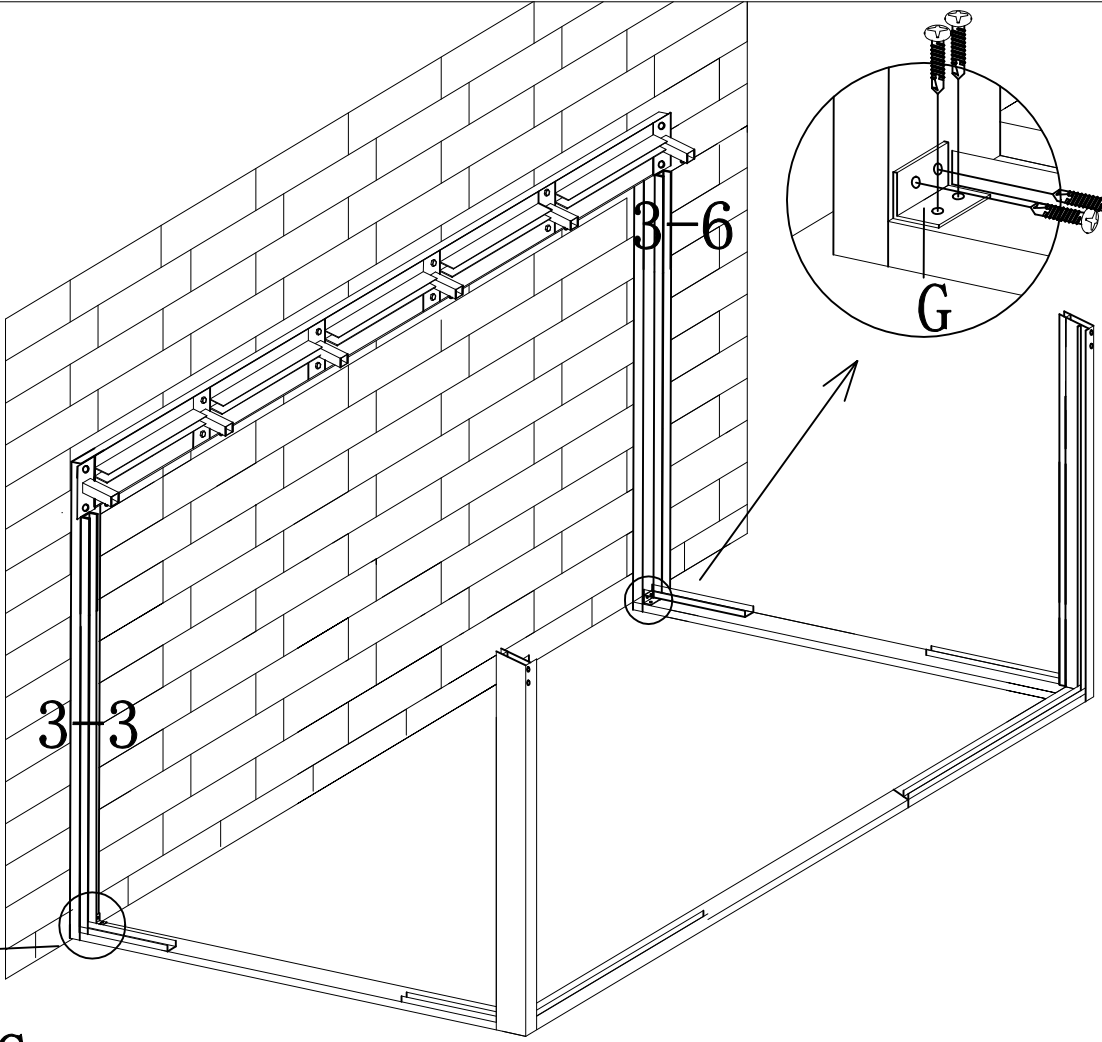
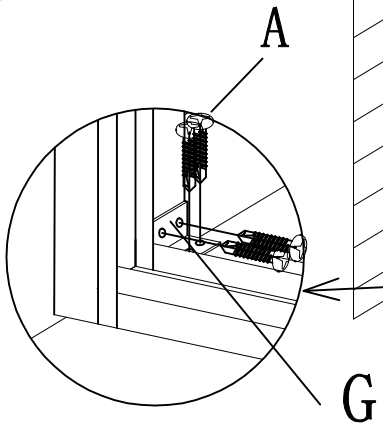
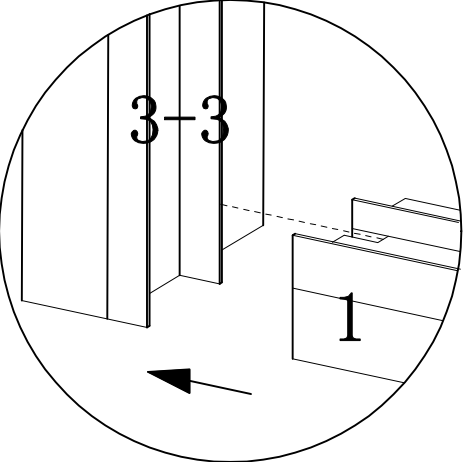
<p>1  ×2</p>	<p>2  ×1</p>	<p>3  ×1</p>	<p>A  ×20</p>
<p>10  ×1</p>	<p>11  ×1</p>	<p>17  ×1</p>	<p>B  ×1</p> <p>C  ×1</p> <p>6  ×2</p>

2

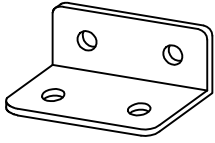


3-1		×1	3-4		×2	3-7		×1			
3-2		×1	3-5		×1	Y		×8			
3-3		×1	3-6		×1	A		×4	Z		×2

3



G



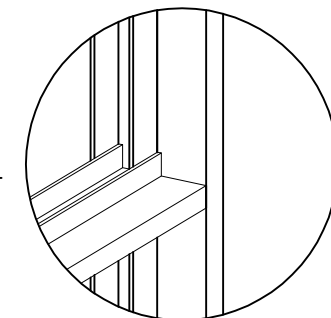
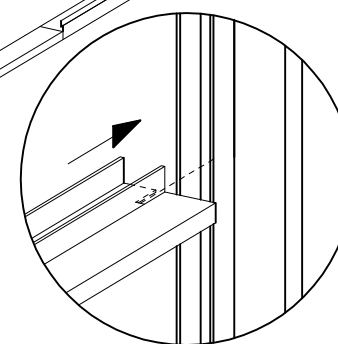
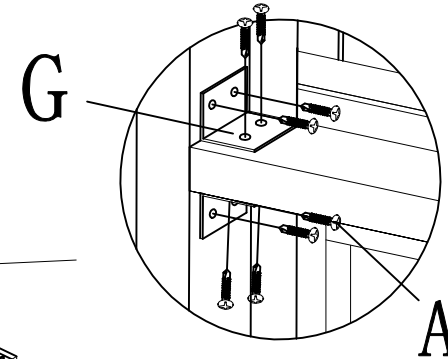
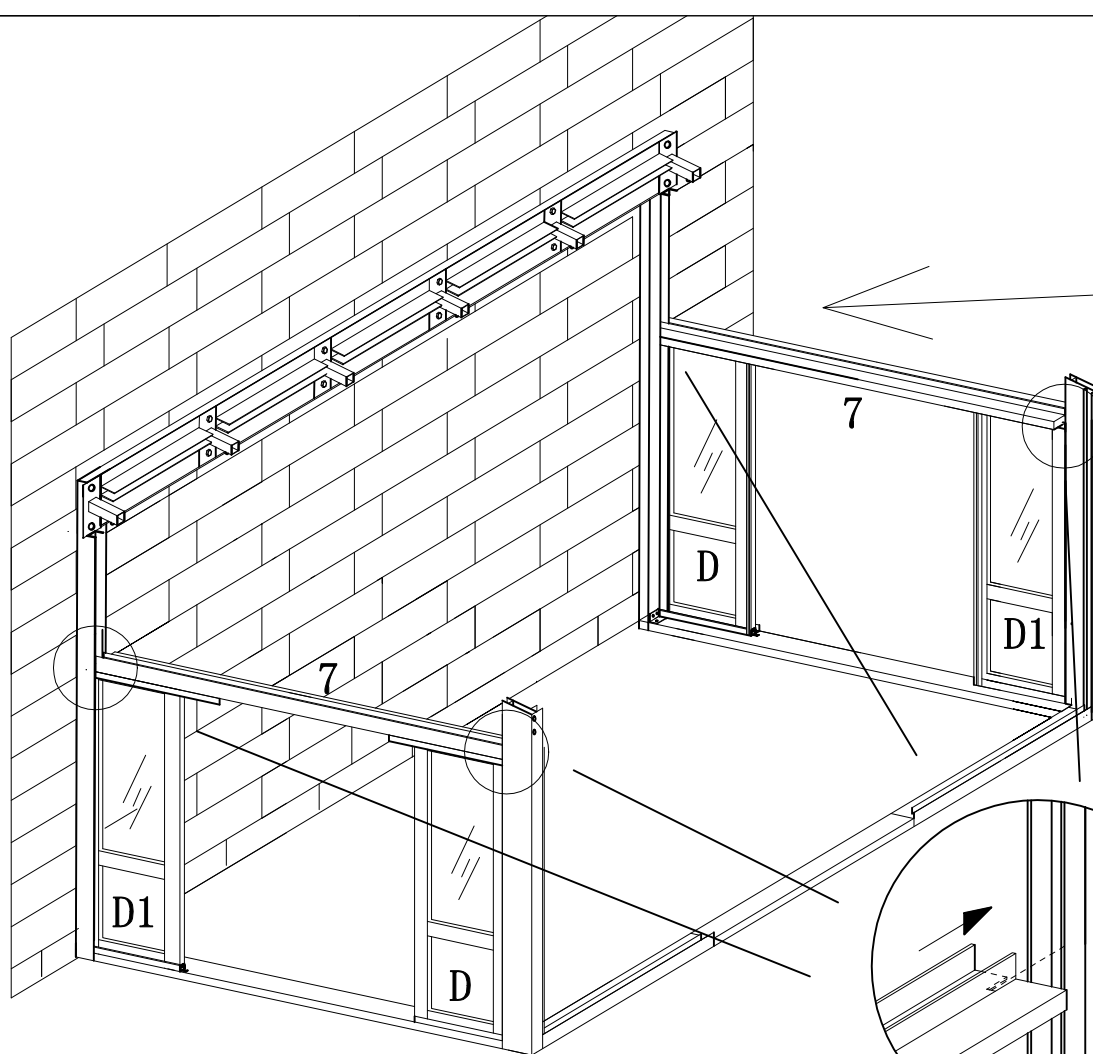
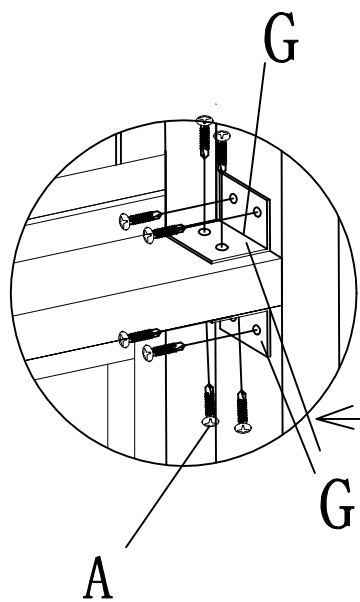
×2

A

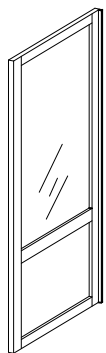


×8

4

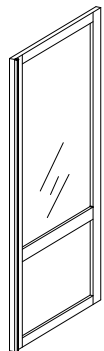


D



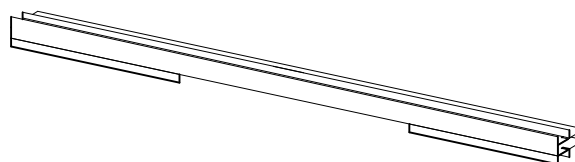
×2

D1



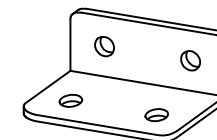
×2

7



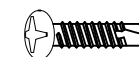
×2

G



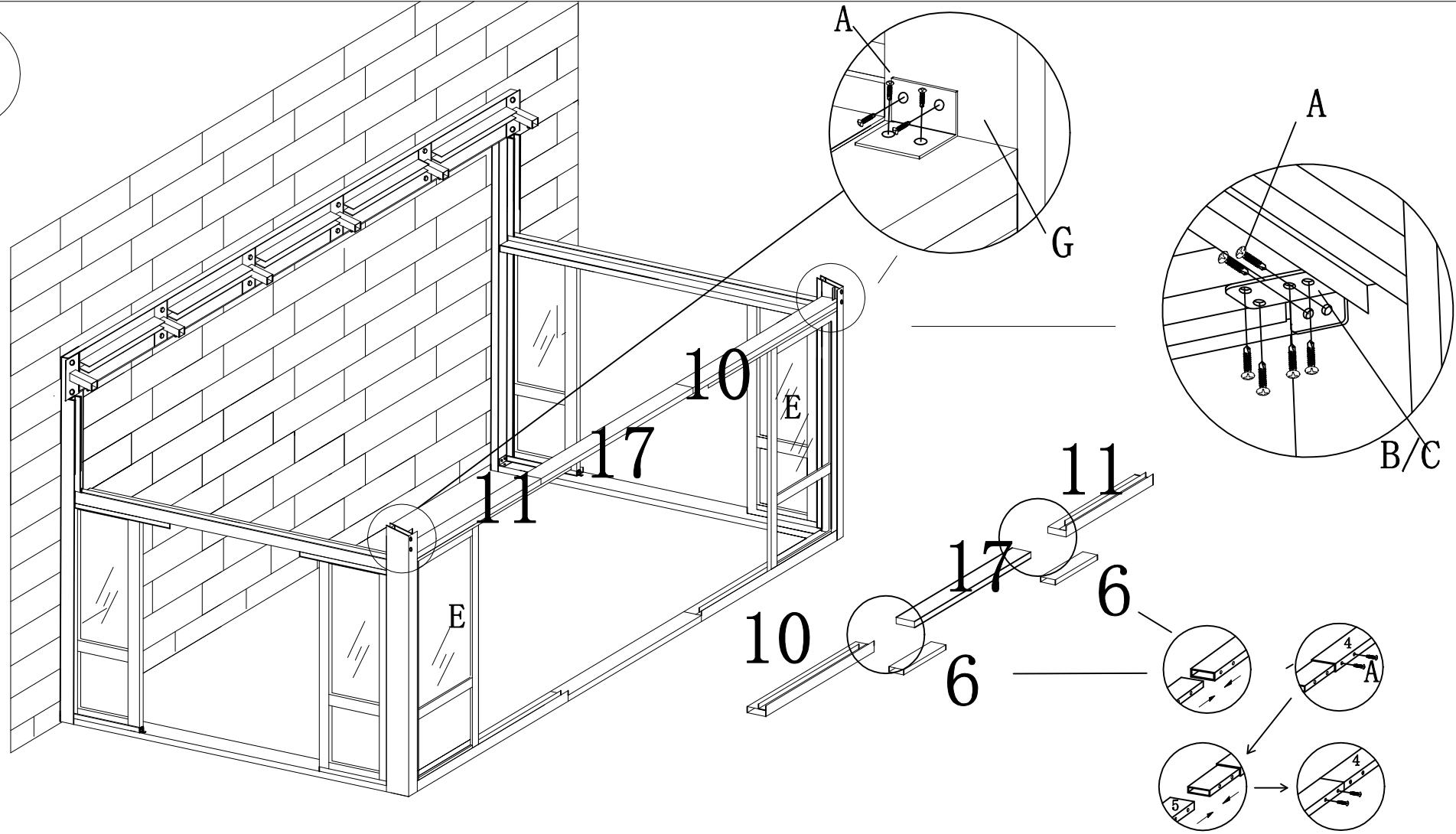
×4

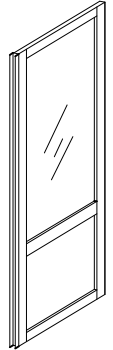



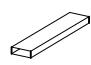
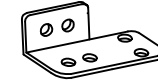
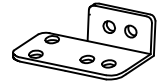
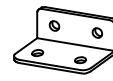
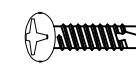
A



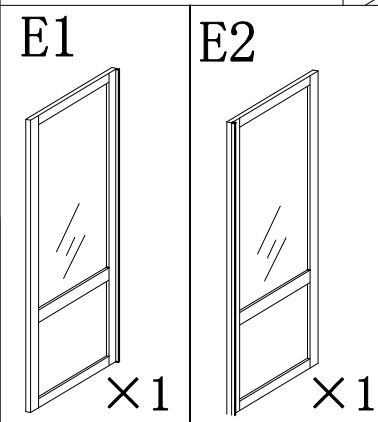
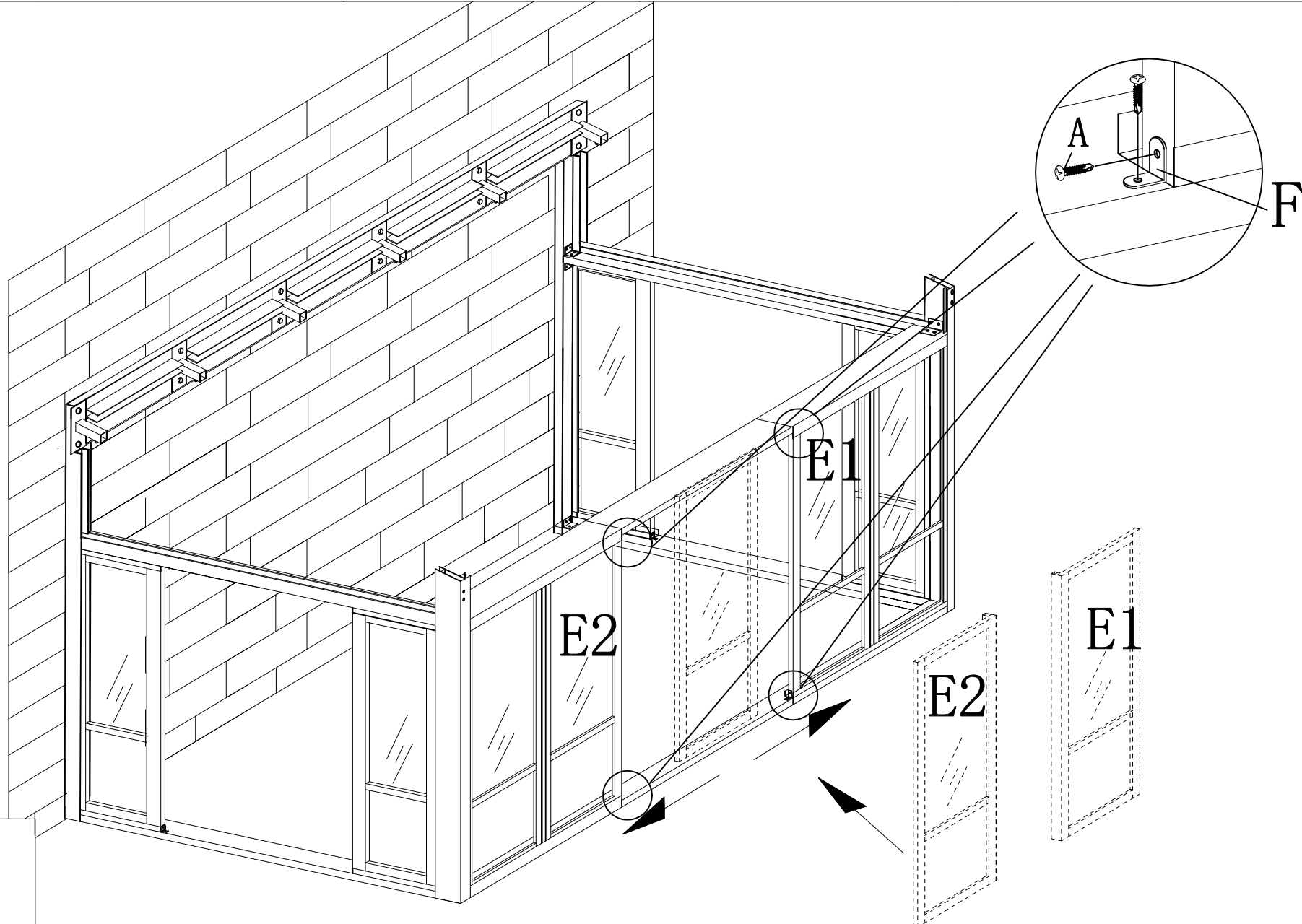
×16



5



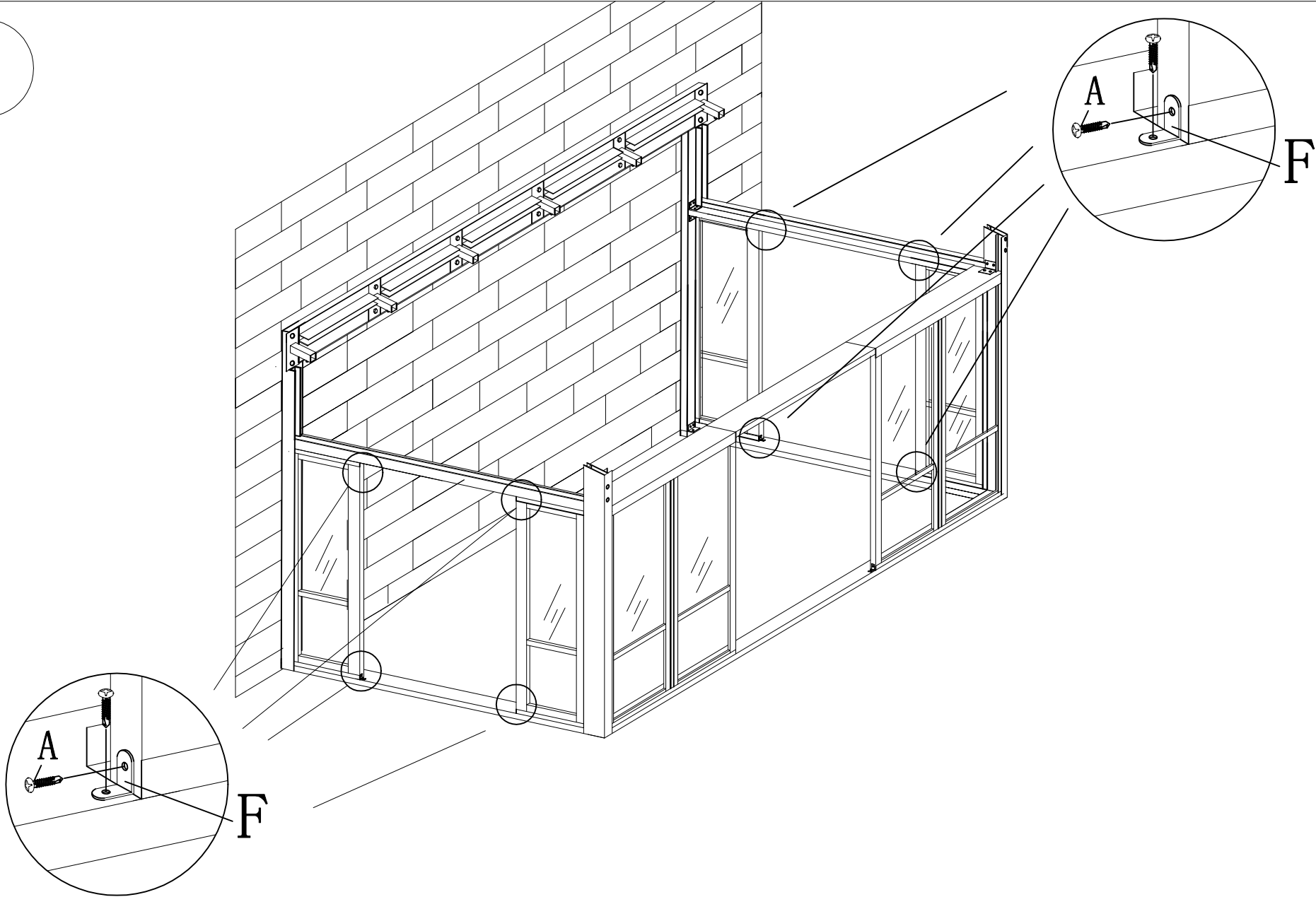
 <p>E</p> <p>×2</p>	 <p>10</p> <p>×1</p>	 <p>11</p> <p>×1</p>	 <p>17</p> <p>×1</p>	 <p>6</p> <p>×2</p>
	 <p>B</p> <p>×1</p>	 <p>C</p> <p>×1</p>	 <p>G</p> <p>×2</p>	 <p>A</p> <p>×24</p>

6



- | | |
|--|--|
| <p>F</p>  <p>×4</p> | <p>A</p>  <p>×8</p> |
|--|--|

7



F



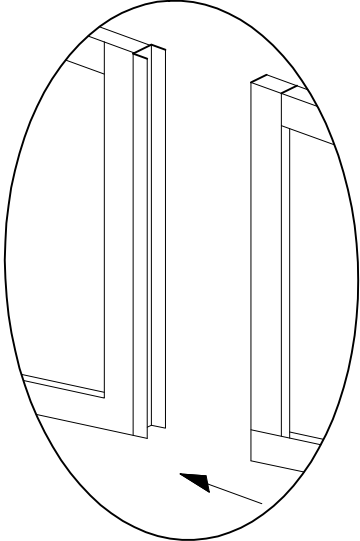
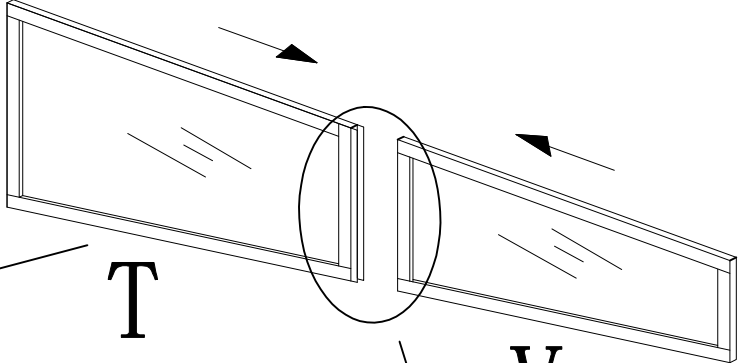
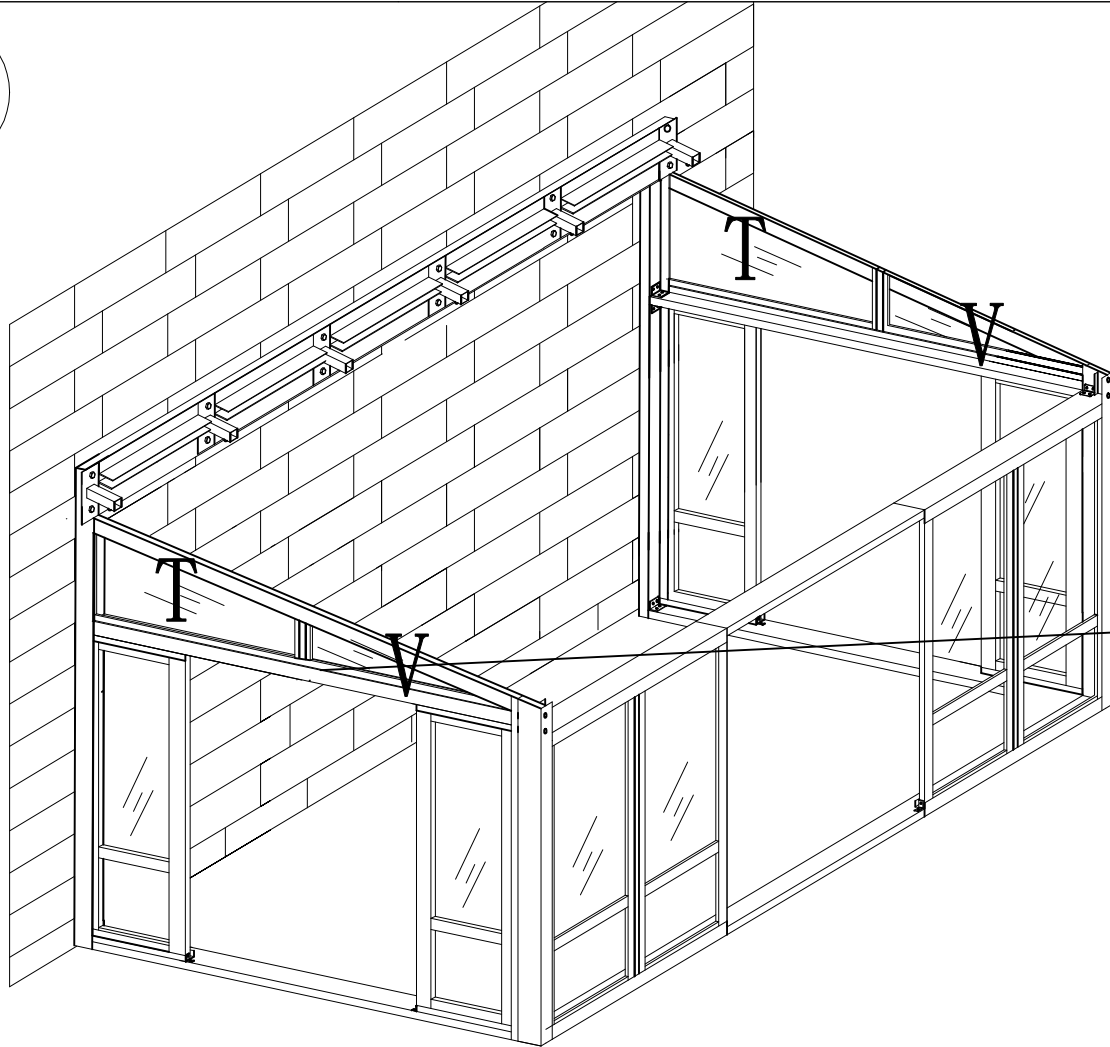
×8

A

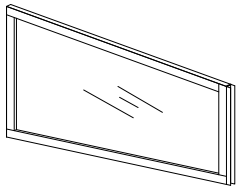


×16

8

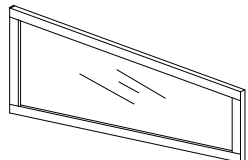


T



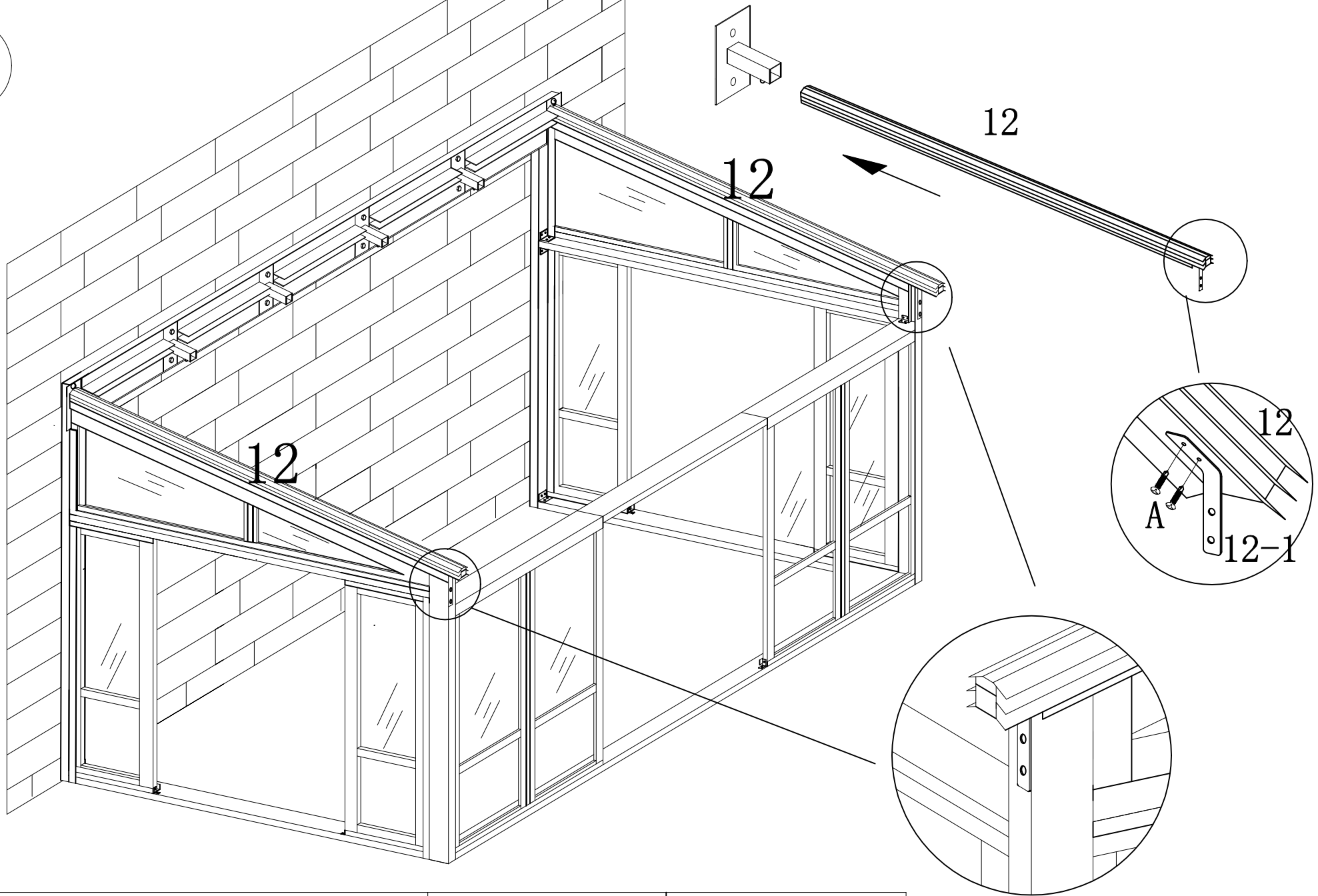
×2

V



×2

9



12



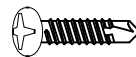
×2

12-1



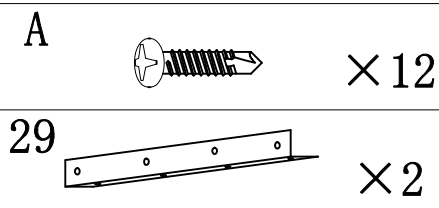
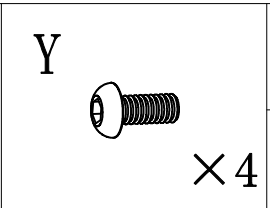
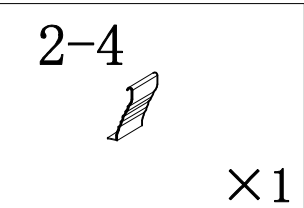
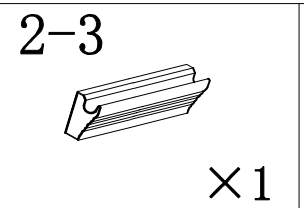
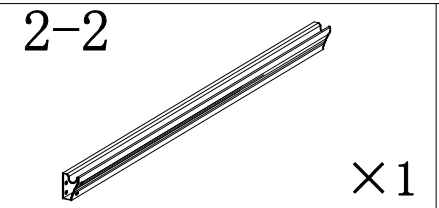
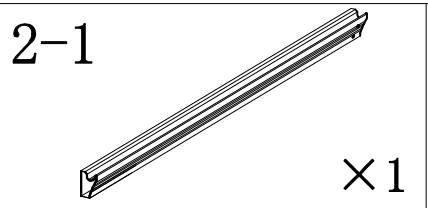
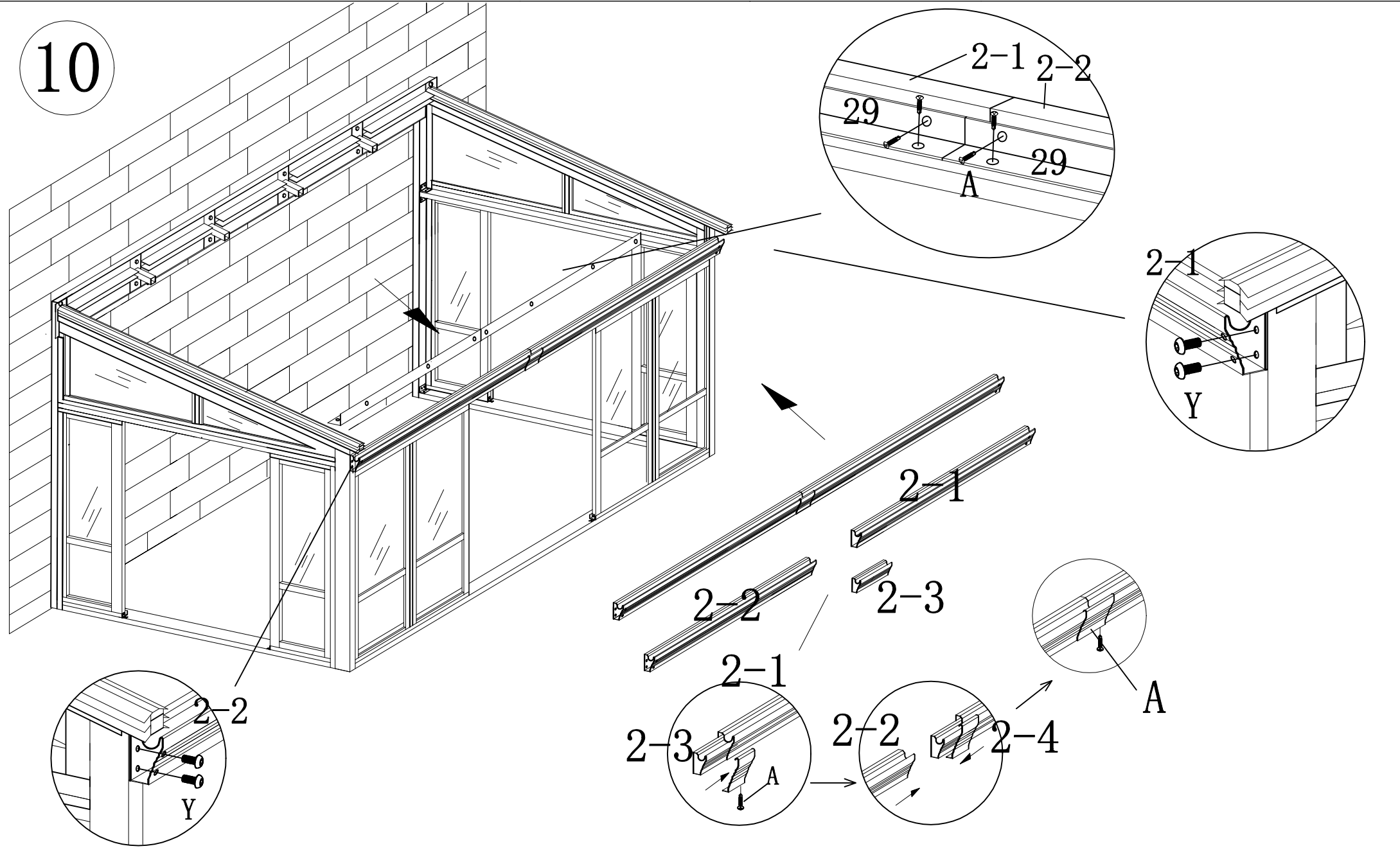
×2

A

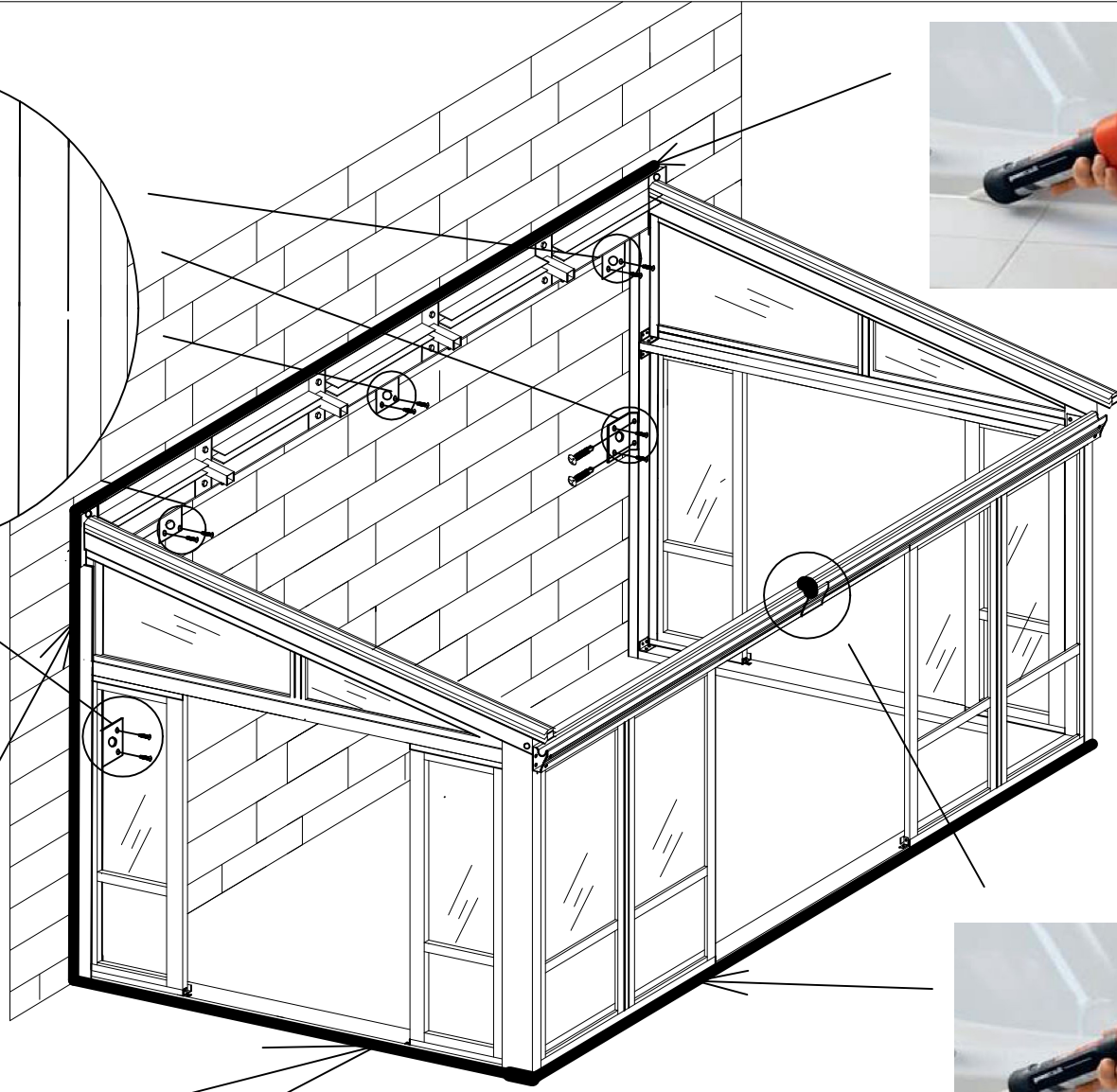
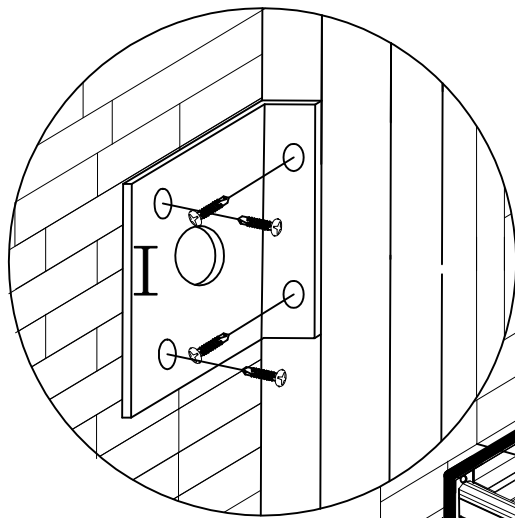


×4

10

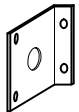


11



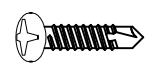
Please reinforce with glass glue on the wall, glass glue is not including.

I



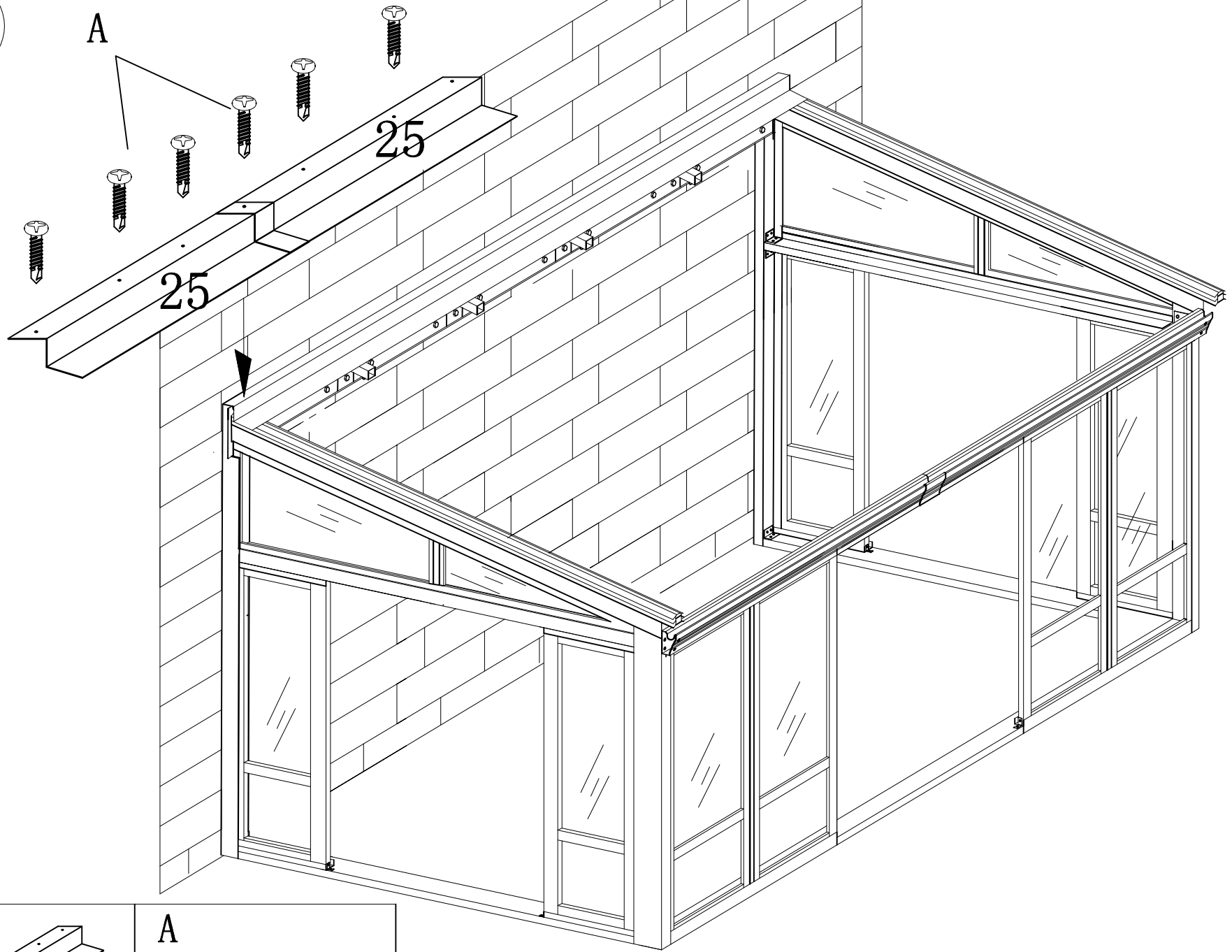
× 10

A

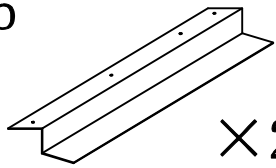


× 40

12



25



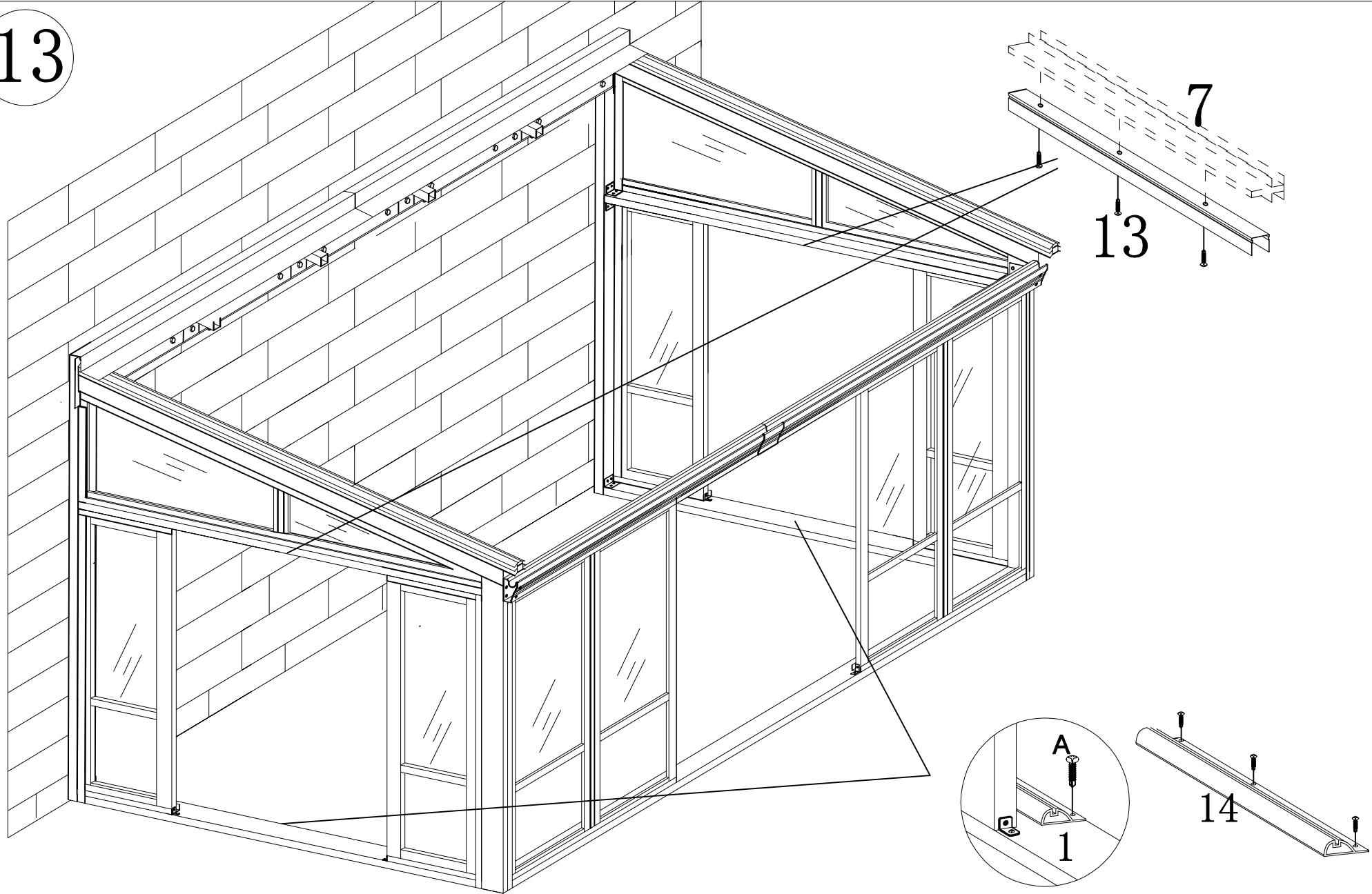
×2

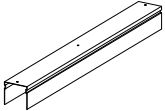
A

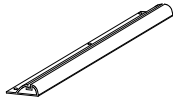



×6

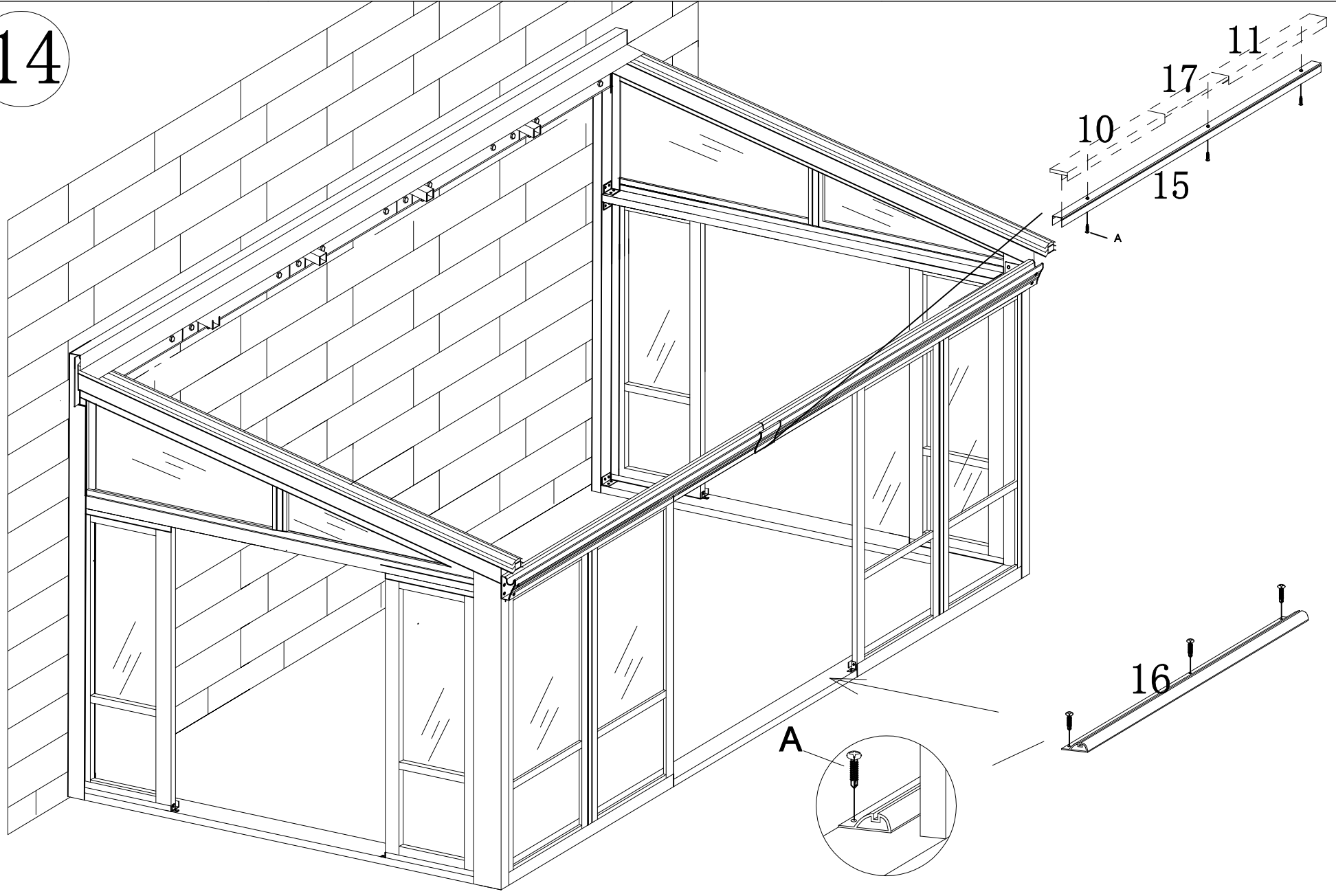
13

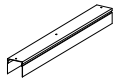



13  ×2

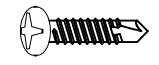
14  ×2

A  ×12

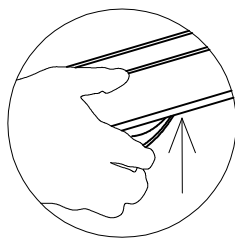
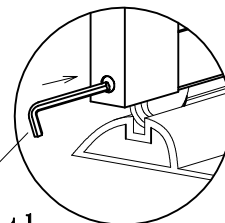
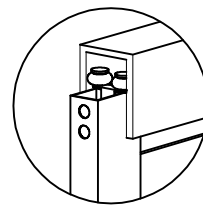
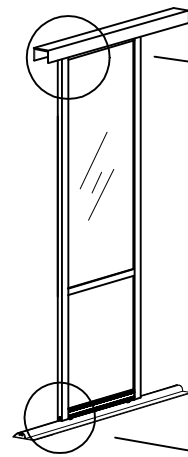
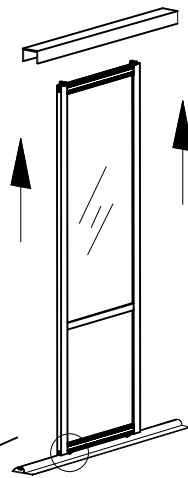
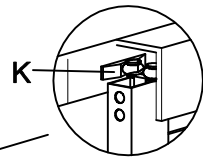
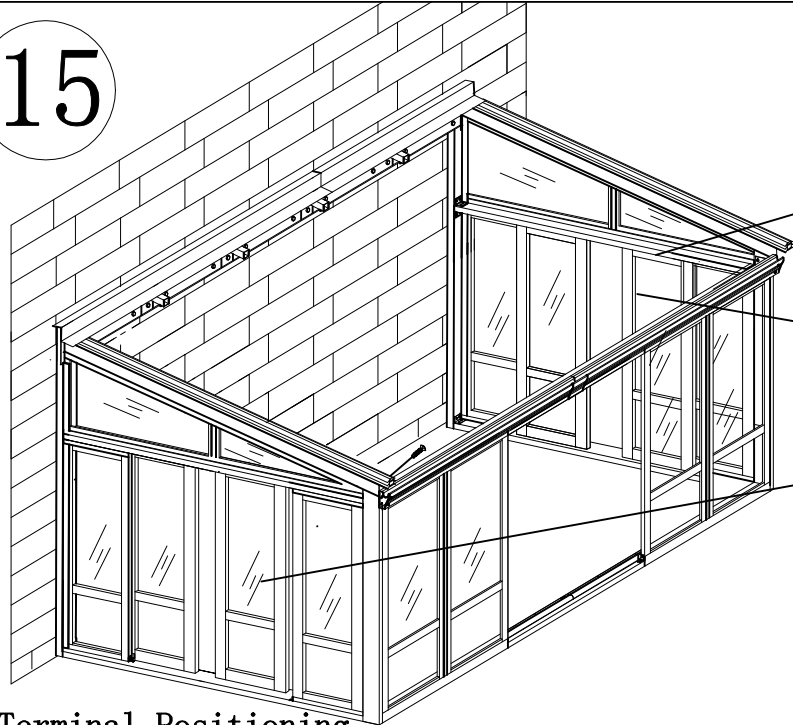


15  ×1

16  ×1

A  ×6

15

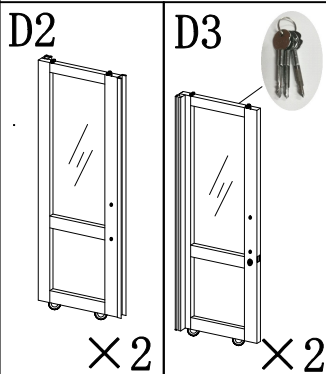
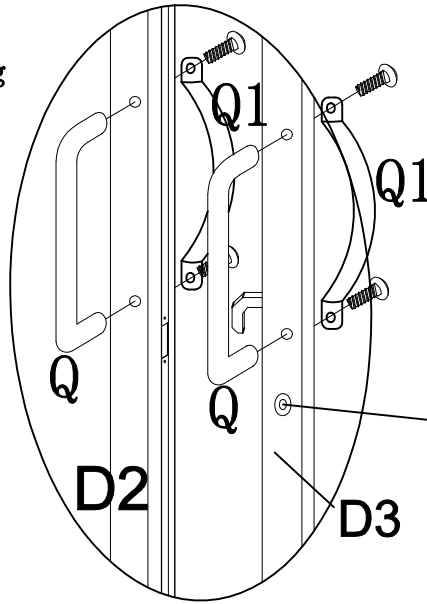
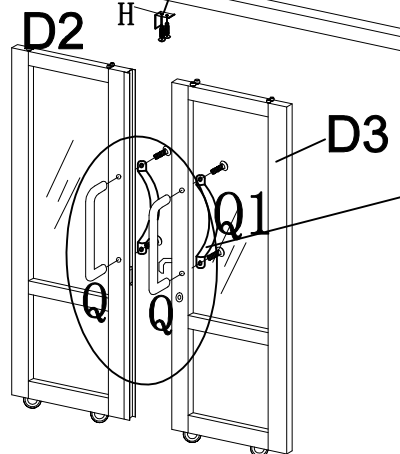
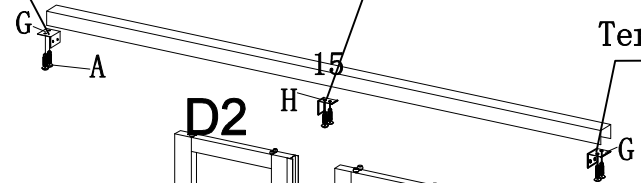


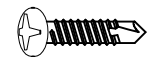
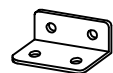




Please adjust the wheels to keep the door in a straight position.

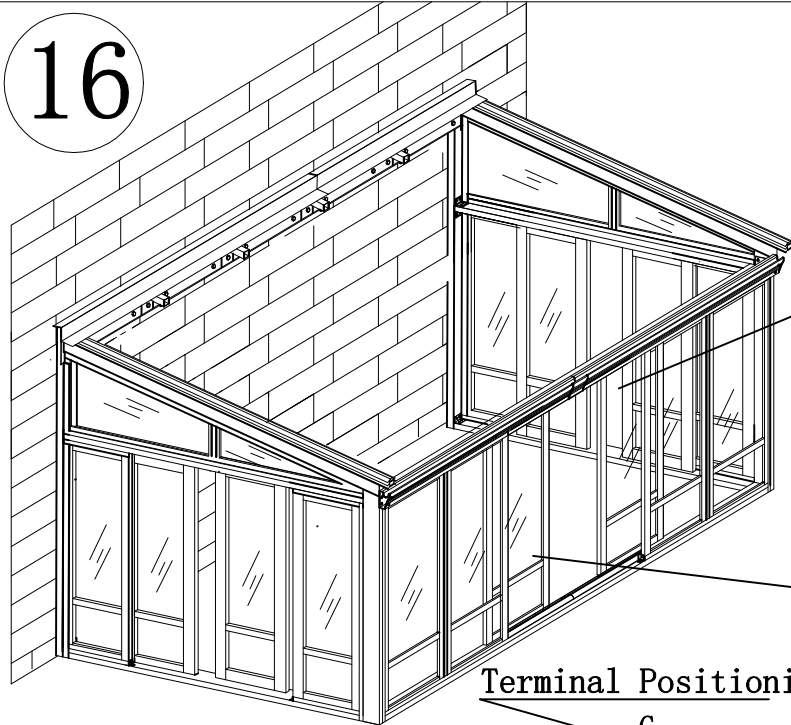
Terminal Positioning

Centralized Positioning

Terminal Positioning



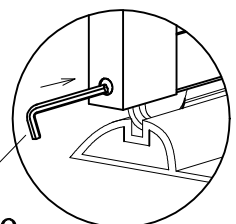
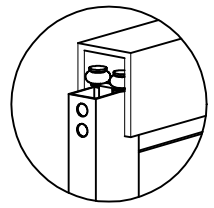
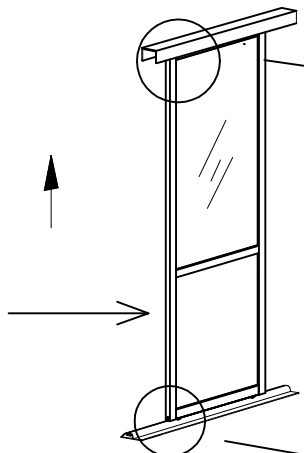
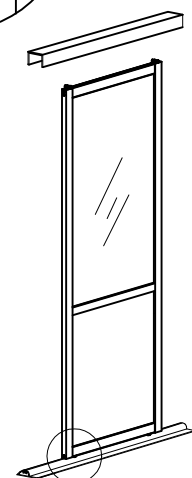
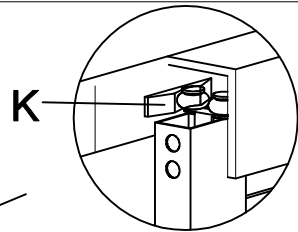
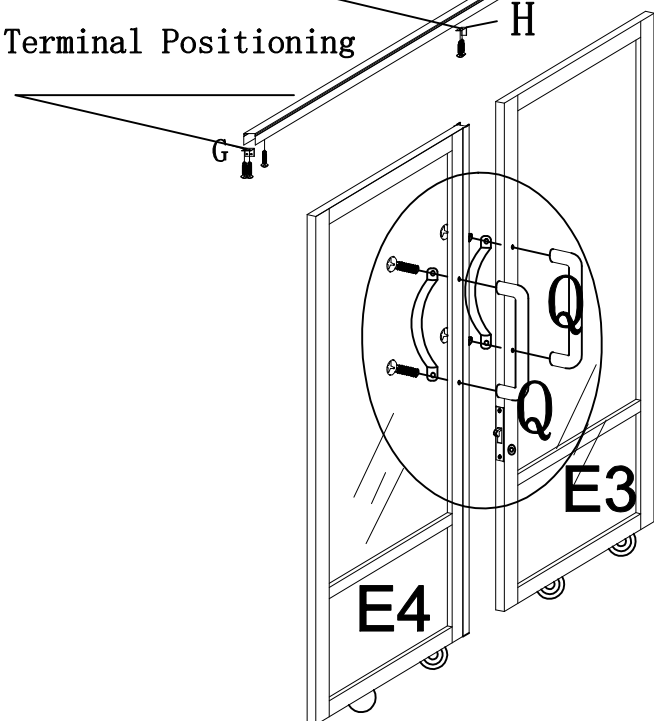
<p>A</p>  <p>×12</p>	<p>G</p>  <p>×4</p>	<p>K</p>  <p>×4</p>	<p>Q</p>  <p>×4</p>	<p>Q1</p>  <p>×4</p>	<p>H</p>  <p>×2</p>
---	--	---	--	---	--



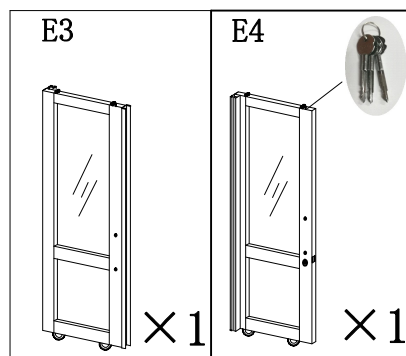
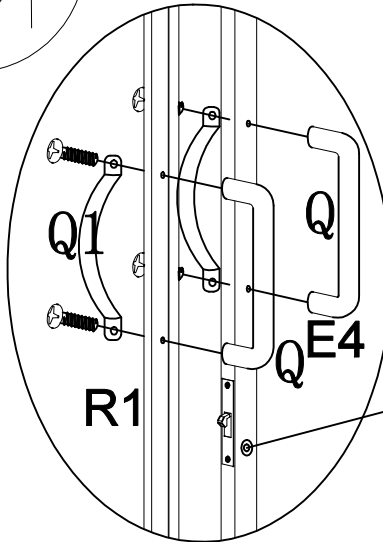
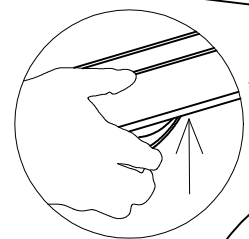
Terminal Positioning






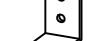
Centralized Positioning

Terminal Positioning

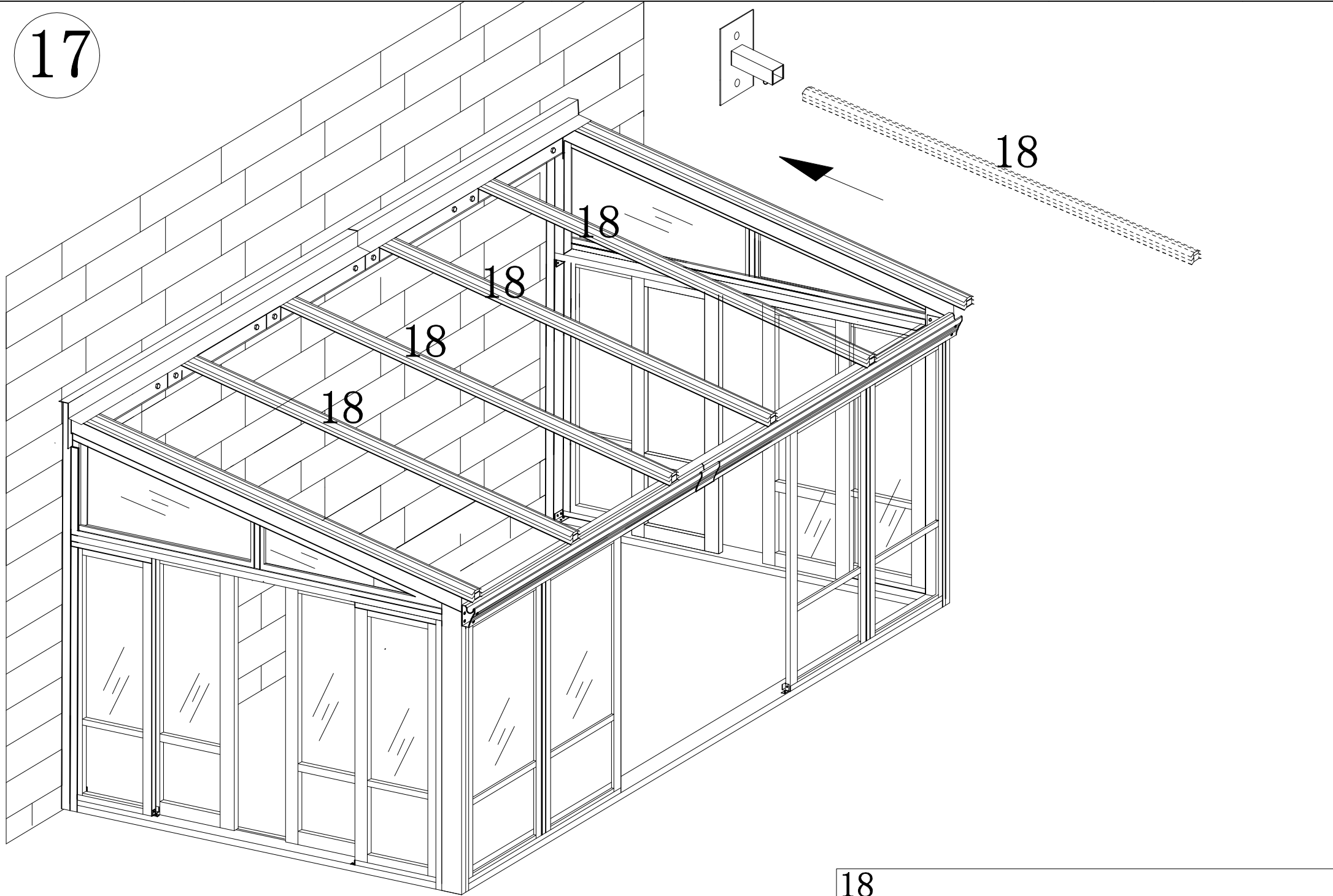


Please adjust the wheels to keep the door in a straight position.



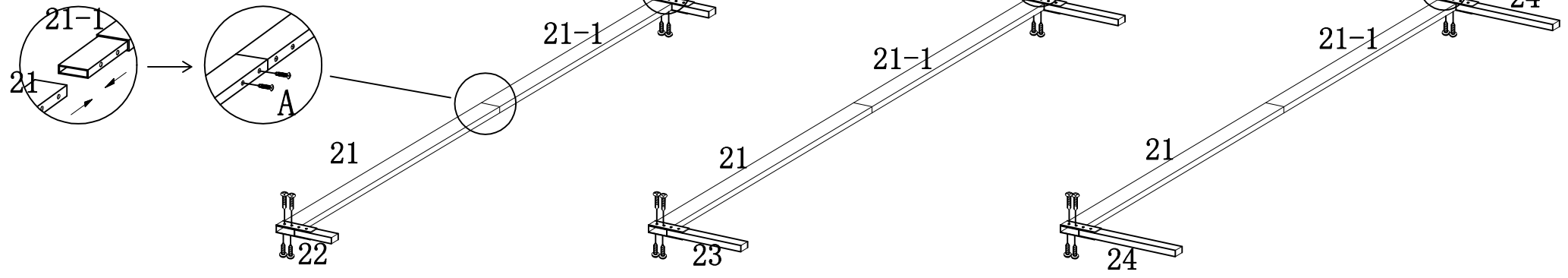
<p>A</p>  <p>x6</p>	<p>G</p>  <p>x2</p>	<p>Q</p>  <p>x2</p>	<p>Q1</p>  <p>x2</p>	<p>K</p>  <p>x2</p>	<p>H</p>  <p>x1</p>
--	--	--	---	--	--

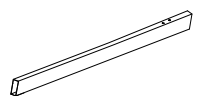
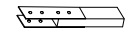
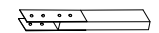
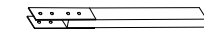

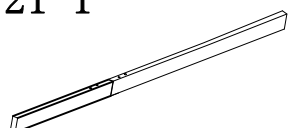
17



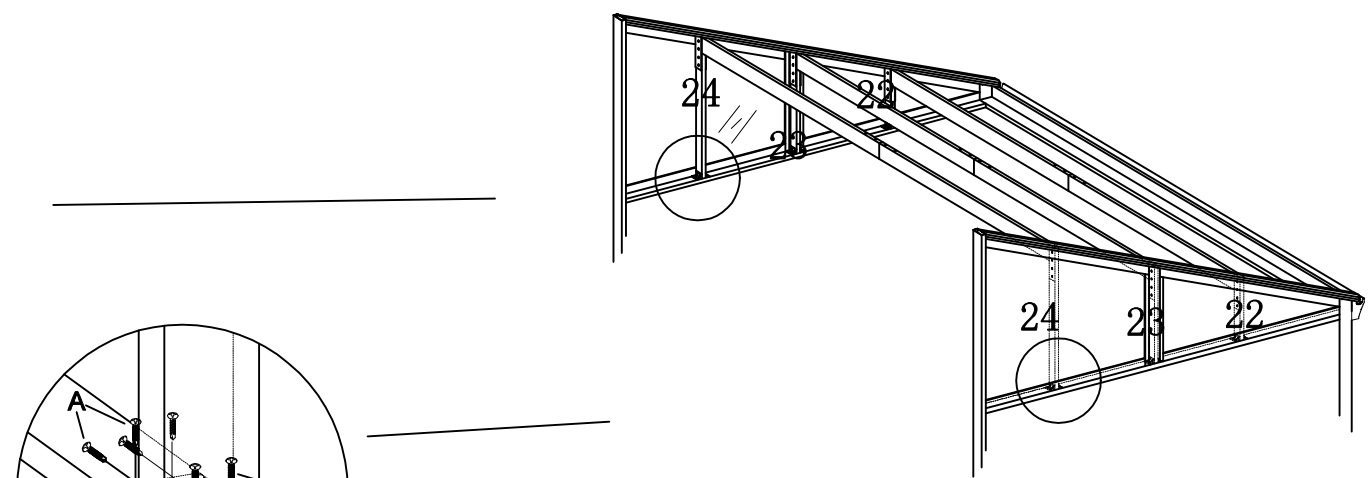
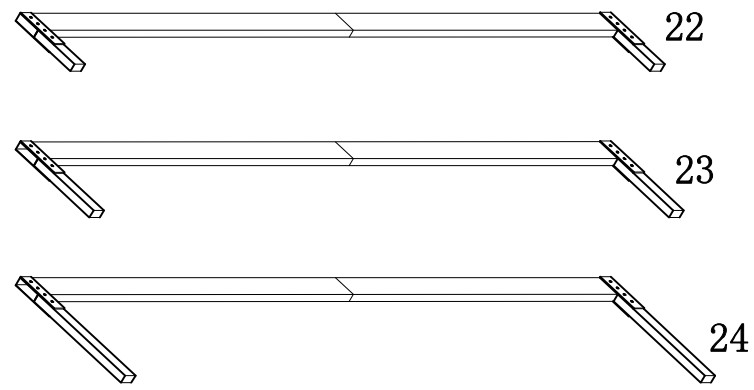
18  ×4


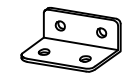
18



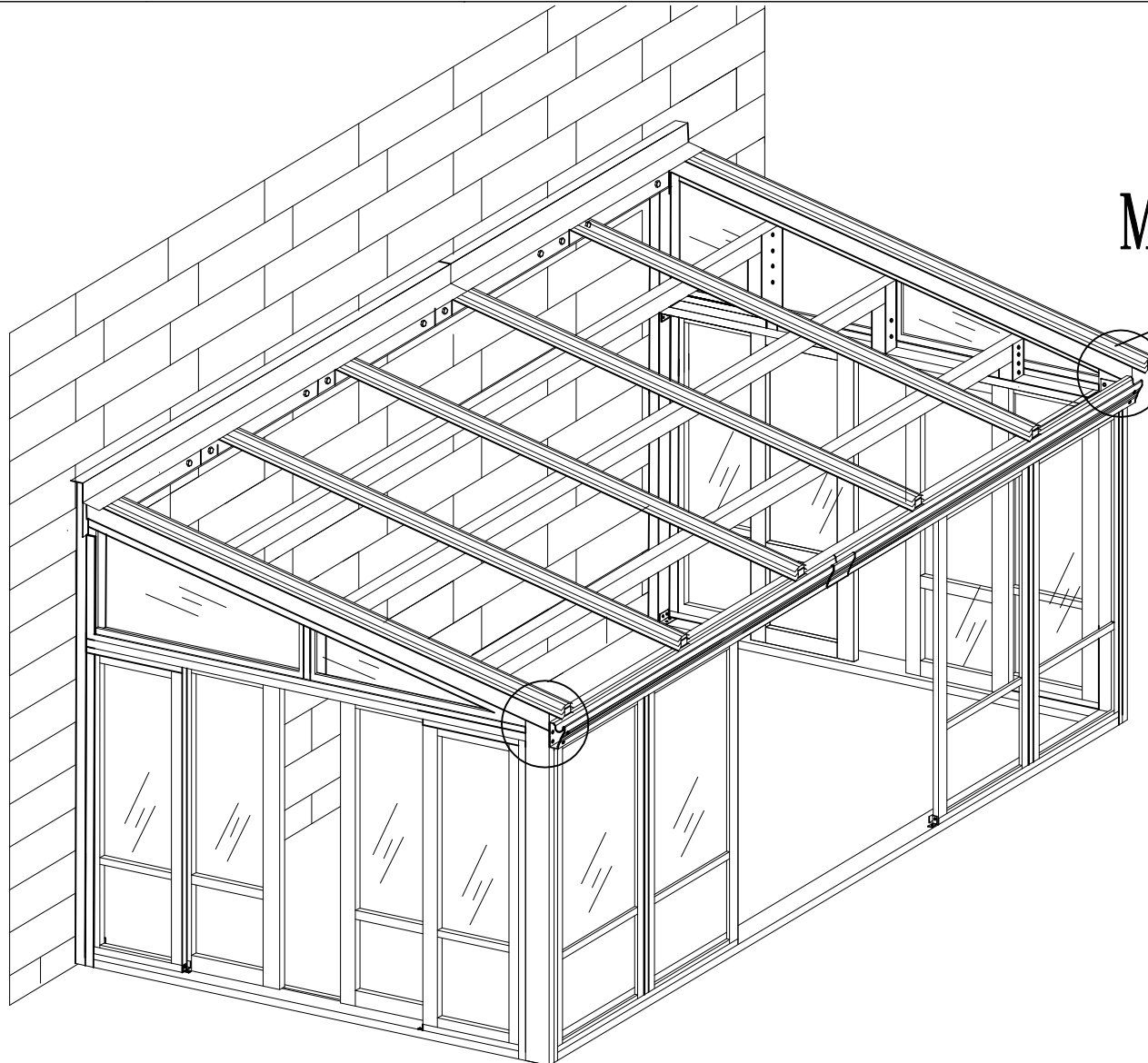
<p>21</p>  <p>×3</p>	<p>22</p>  <p>×2</p>	<p>23</p>  <p>×2</p>	<p>24</p>  <p>×2</p>	<p>A</p>  <p>×30</p>	<p>21-1</p>  <p>×3</p>
---	---	---	---	---	---

19

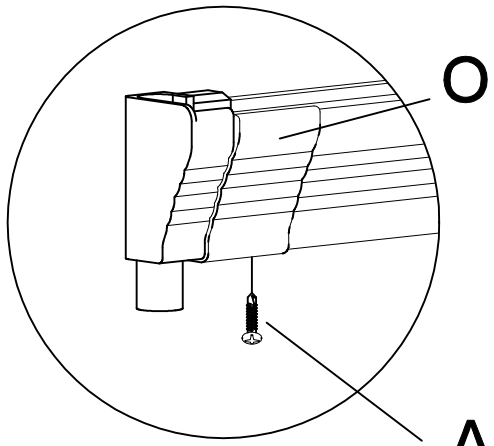
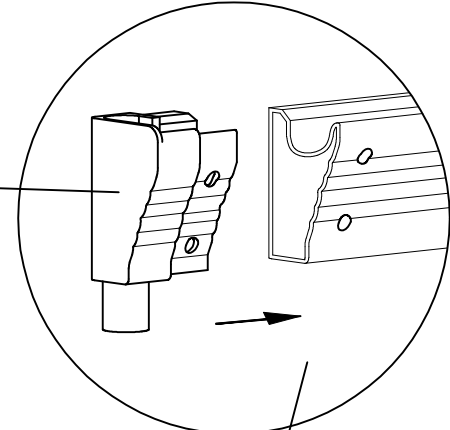


<p>A</p>  <p>×48</p>	<p>G</p>  <p>×12</p>
---	---

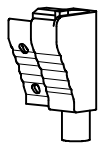
20



M/N

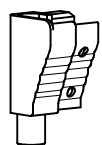


M



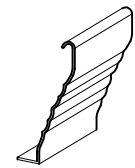
×1

N



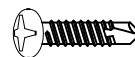
×1

O



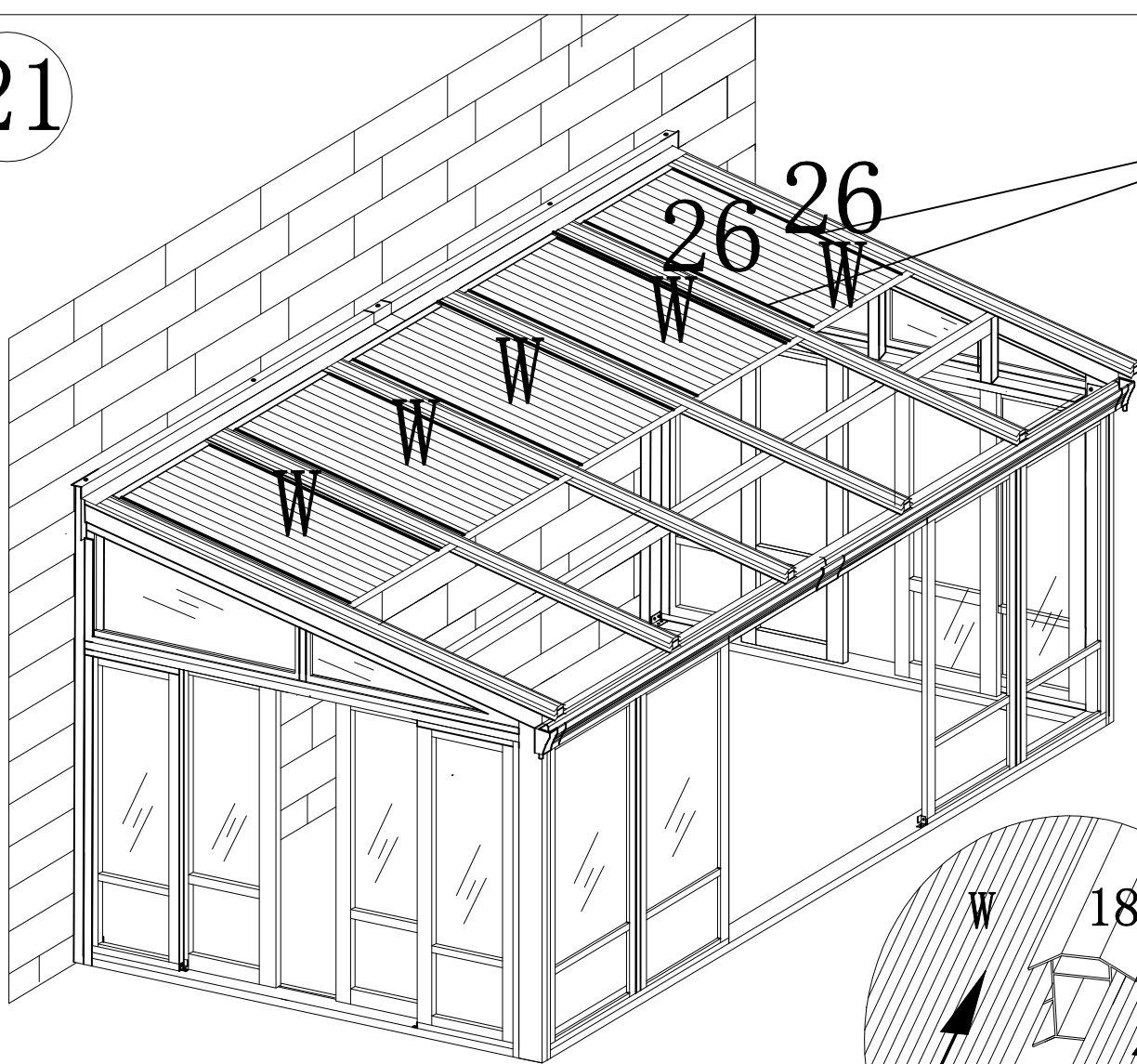
×2

A

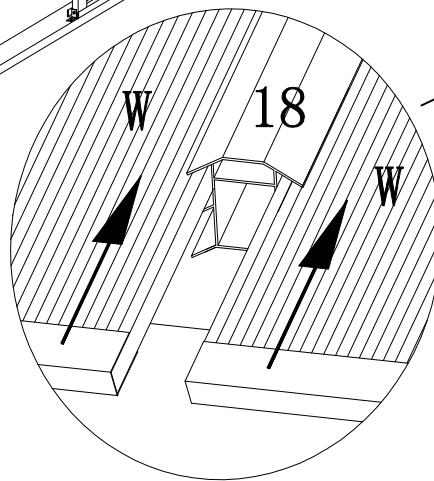
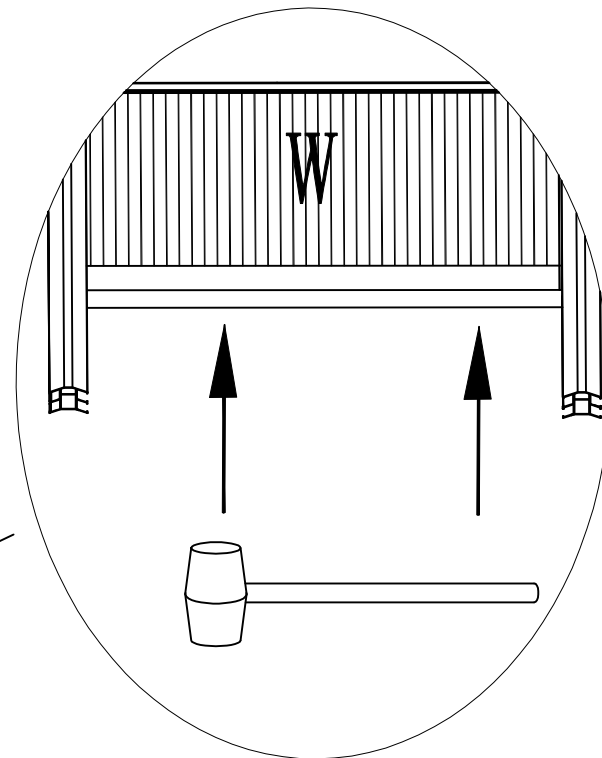


×2

21

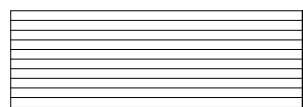


26



W

POLYCARBONATE

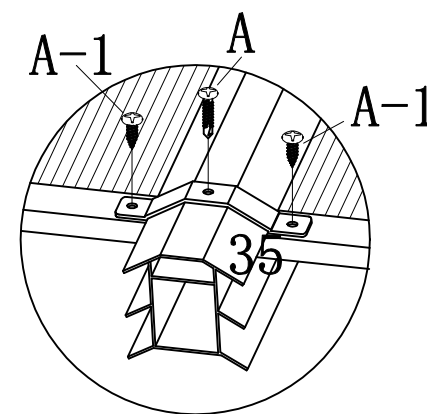
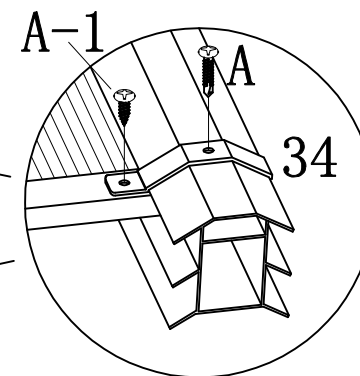
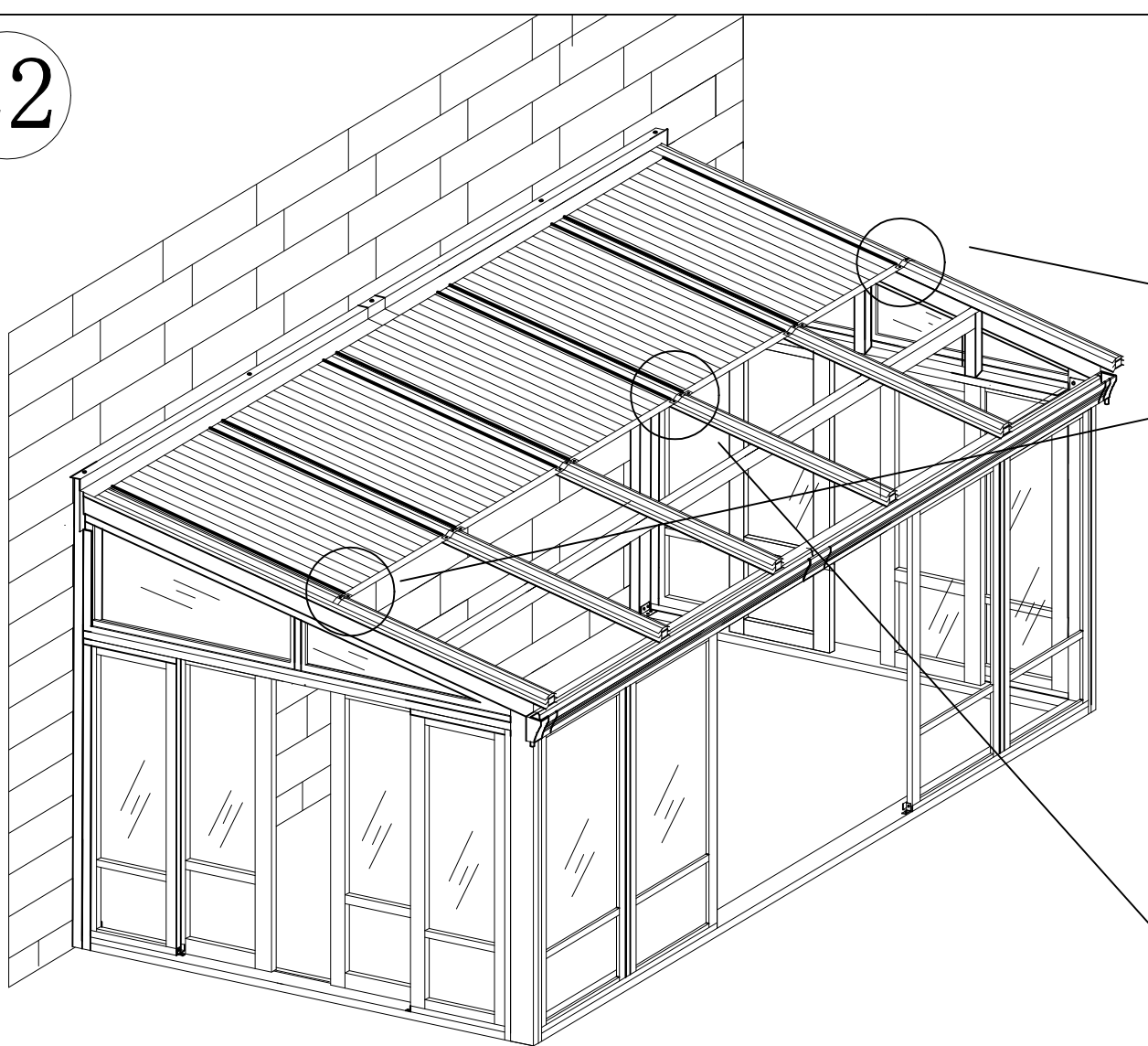


×5

26



22



34



×2

35



×4

A



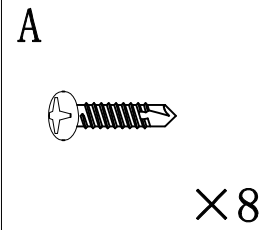
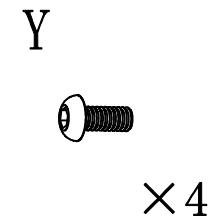
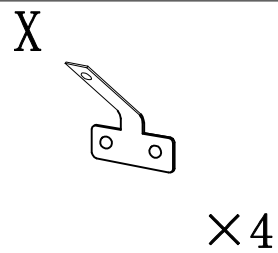
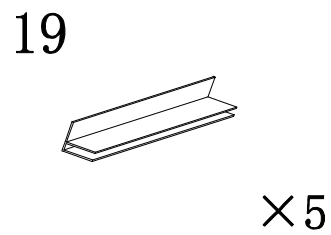
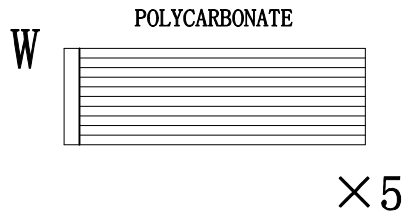
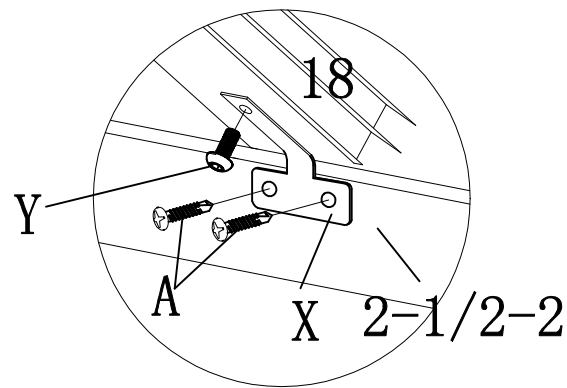
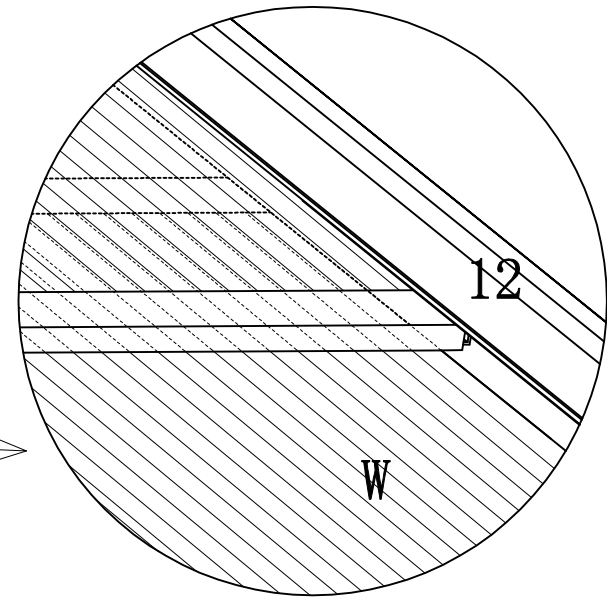
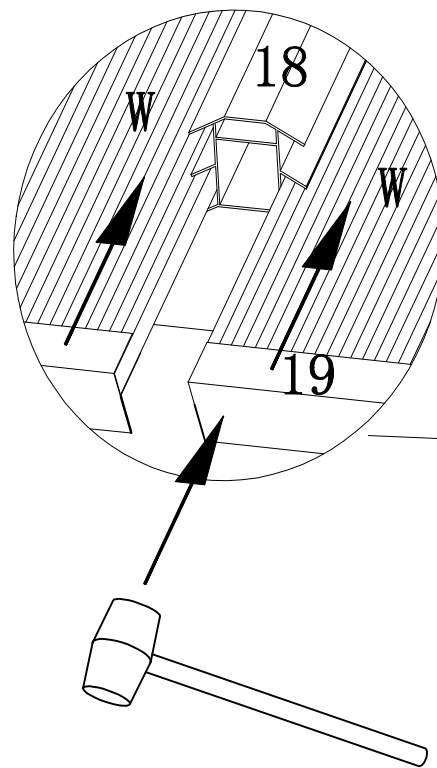
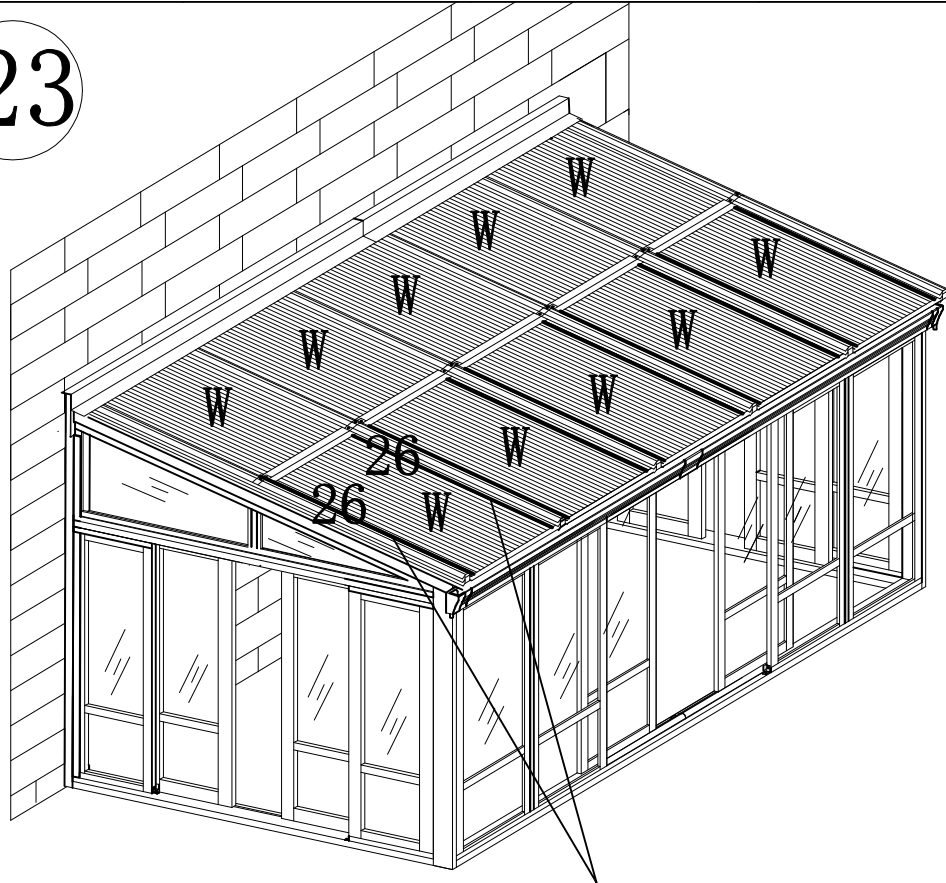
×6

A-1

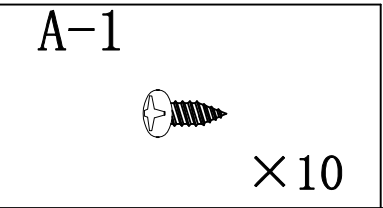
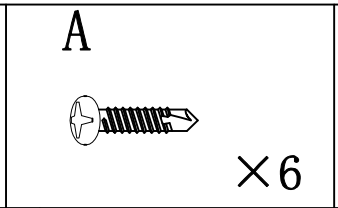
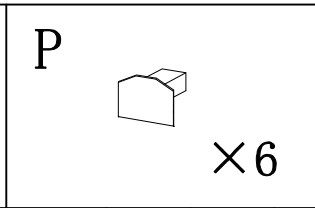
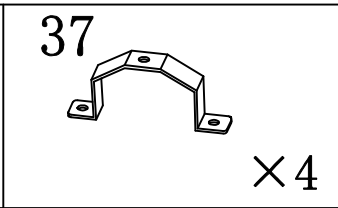
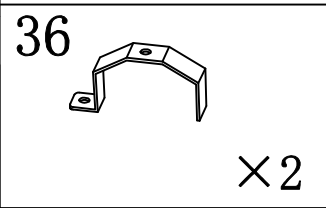
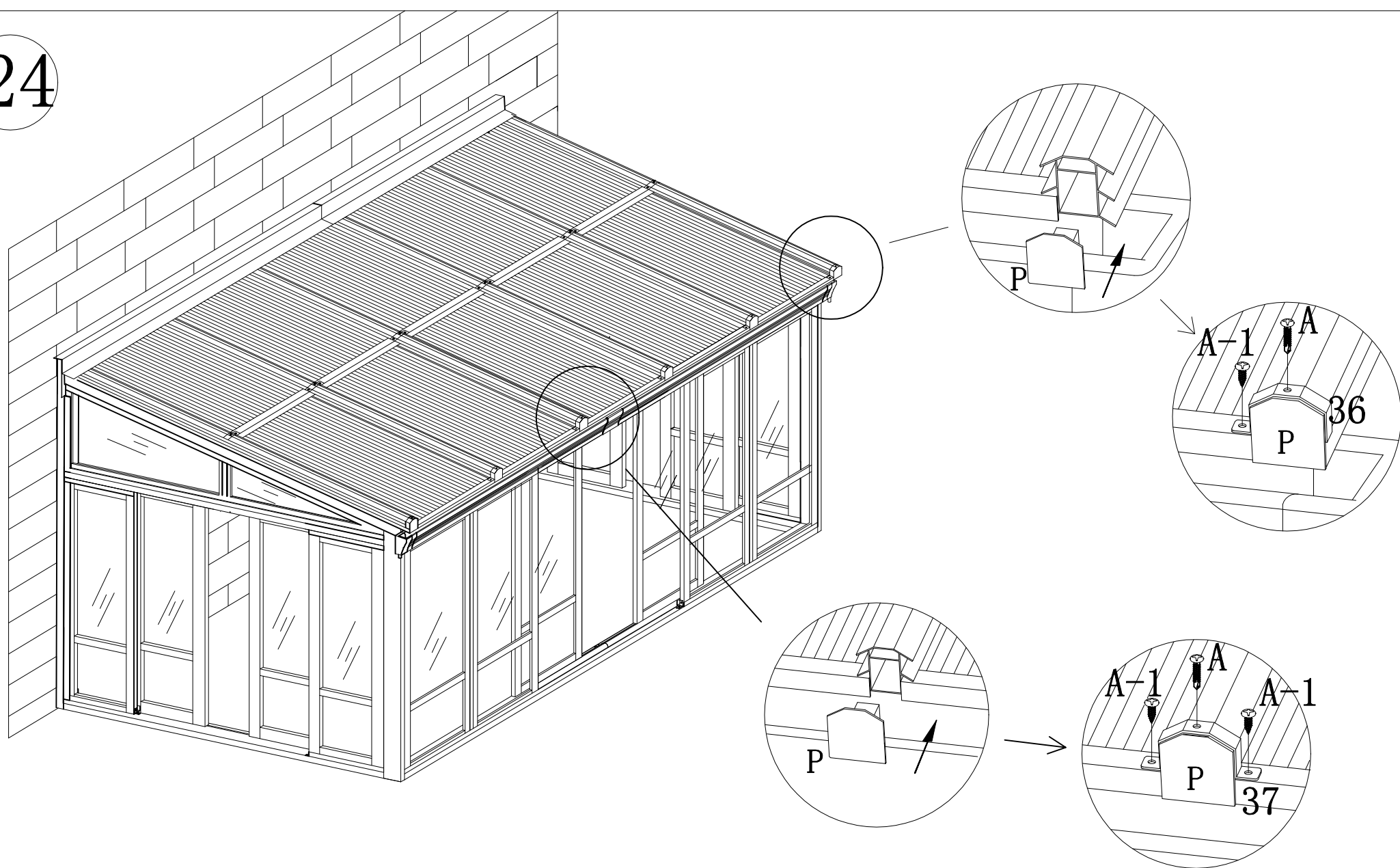


×10

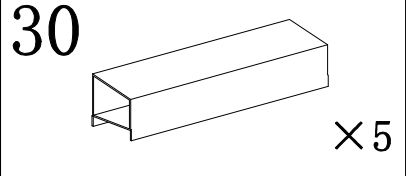
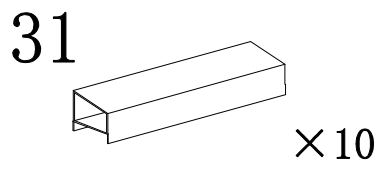
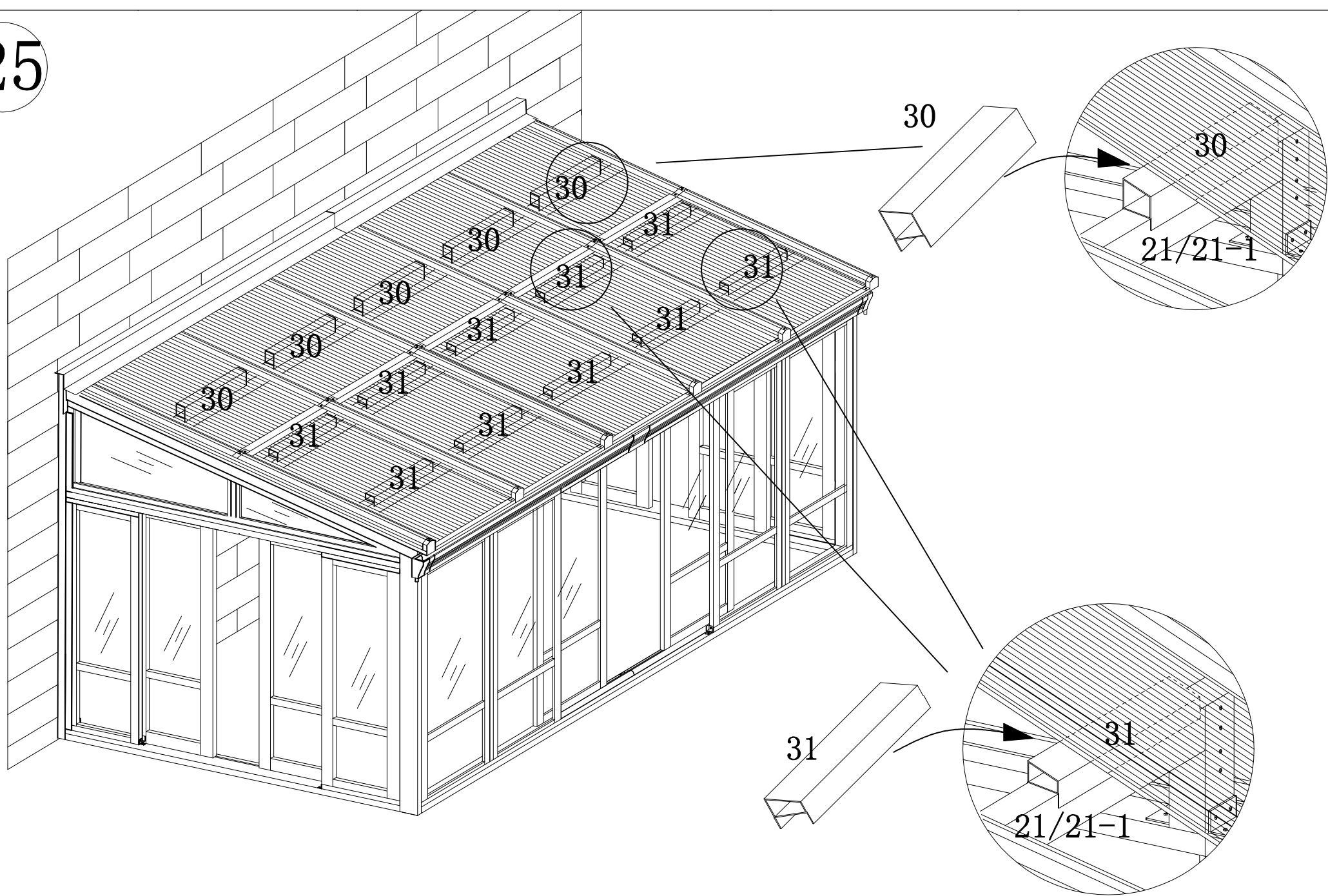
23



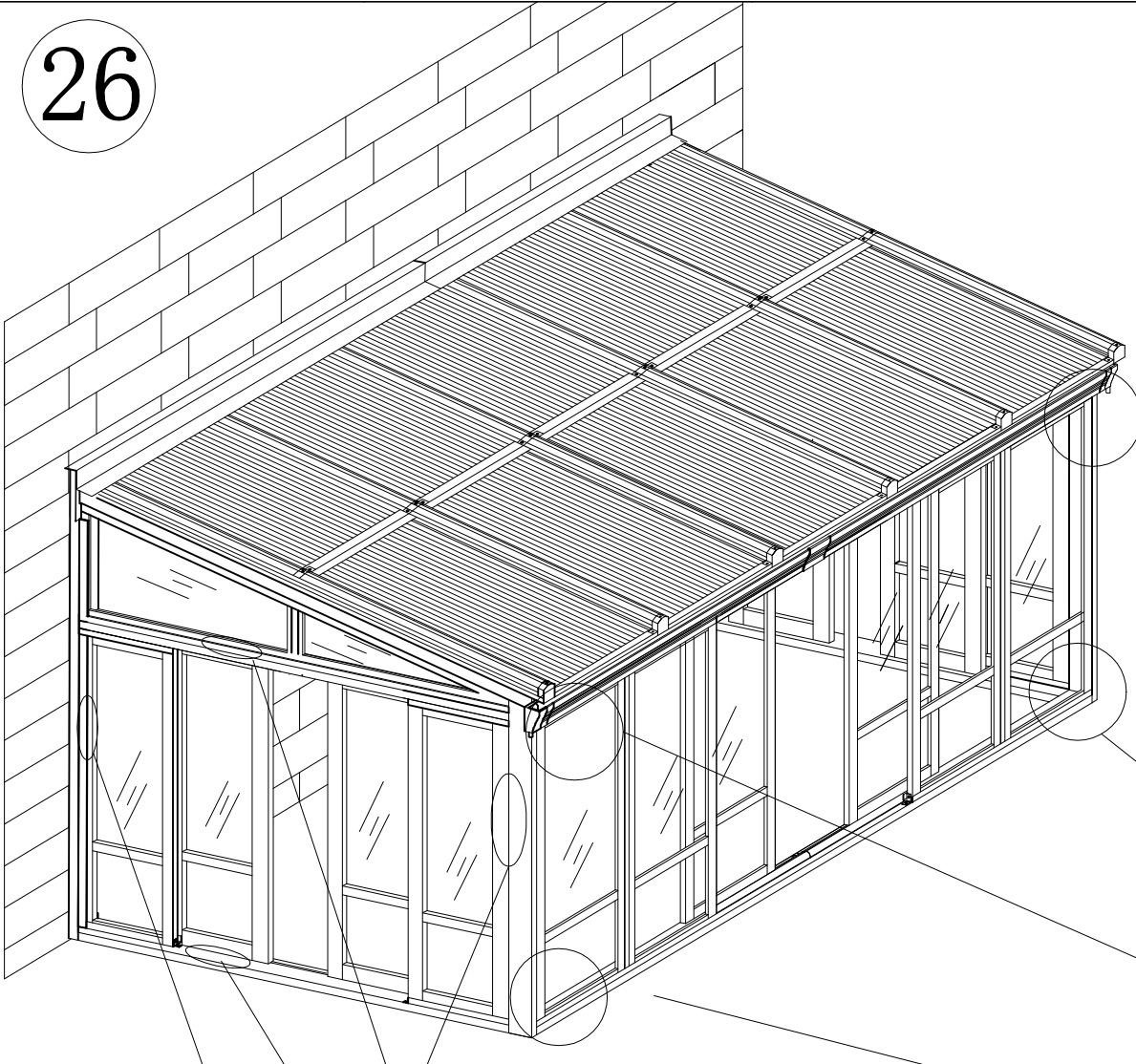
24



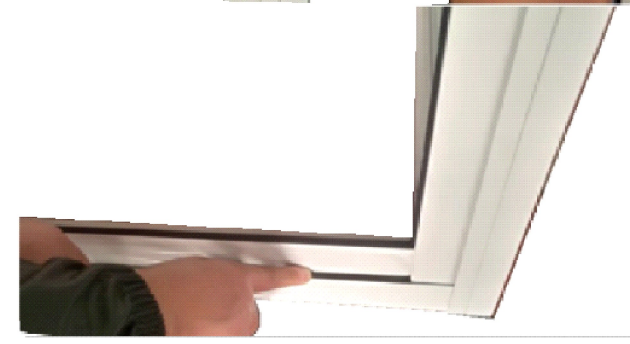
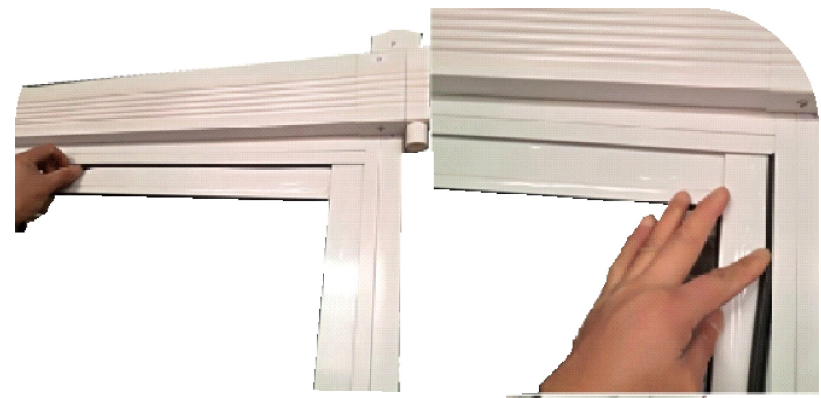
25



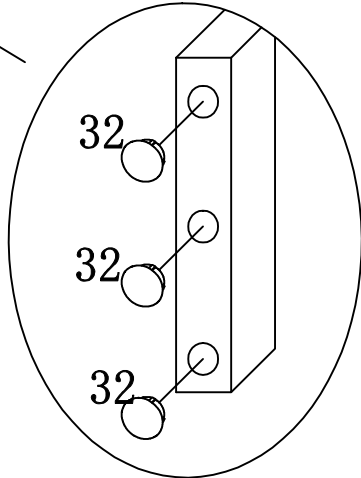
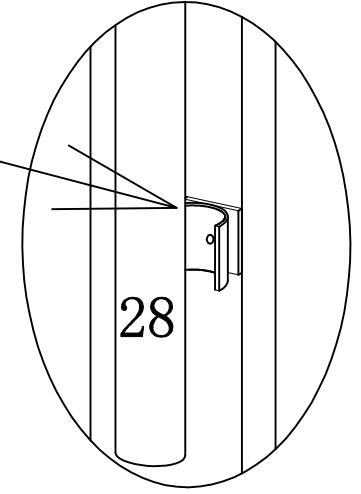
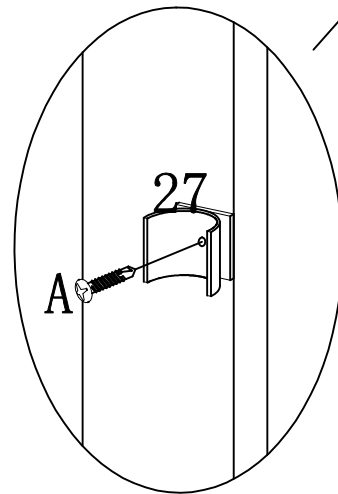
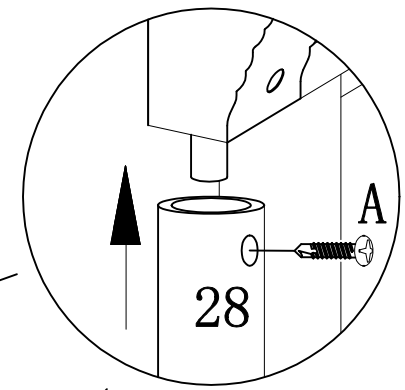
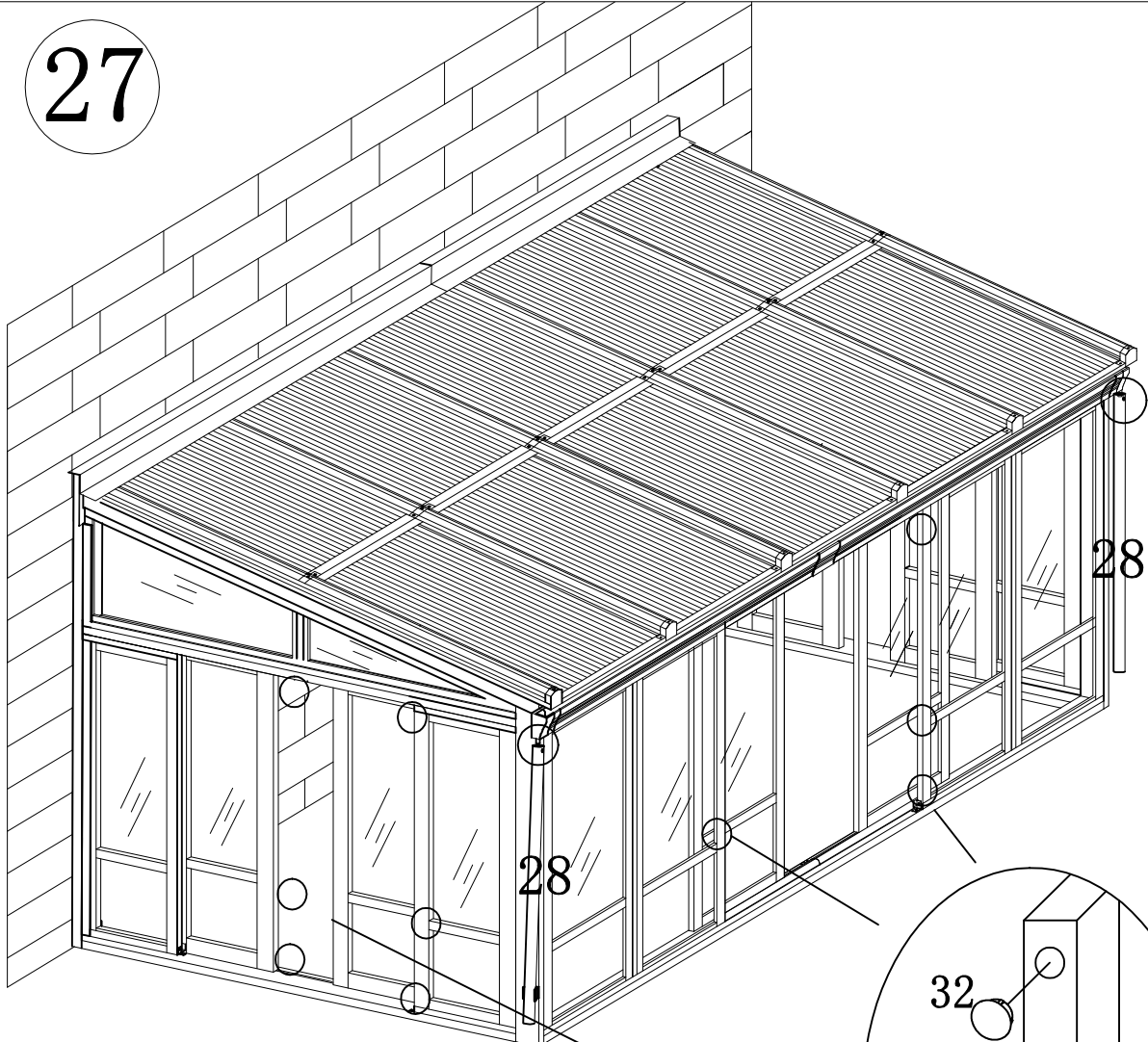
26

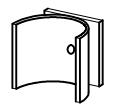


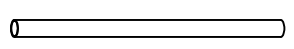
26





27



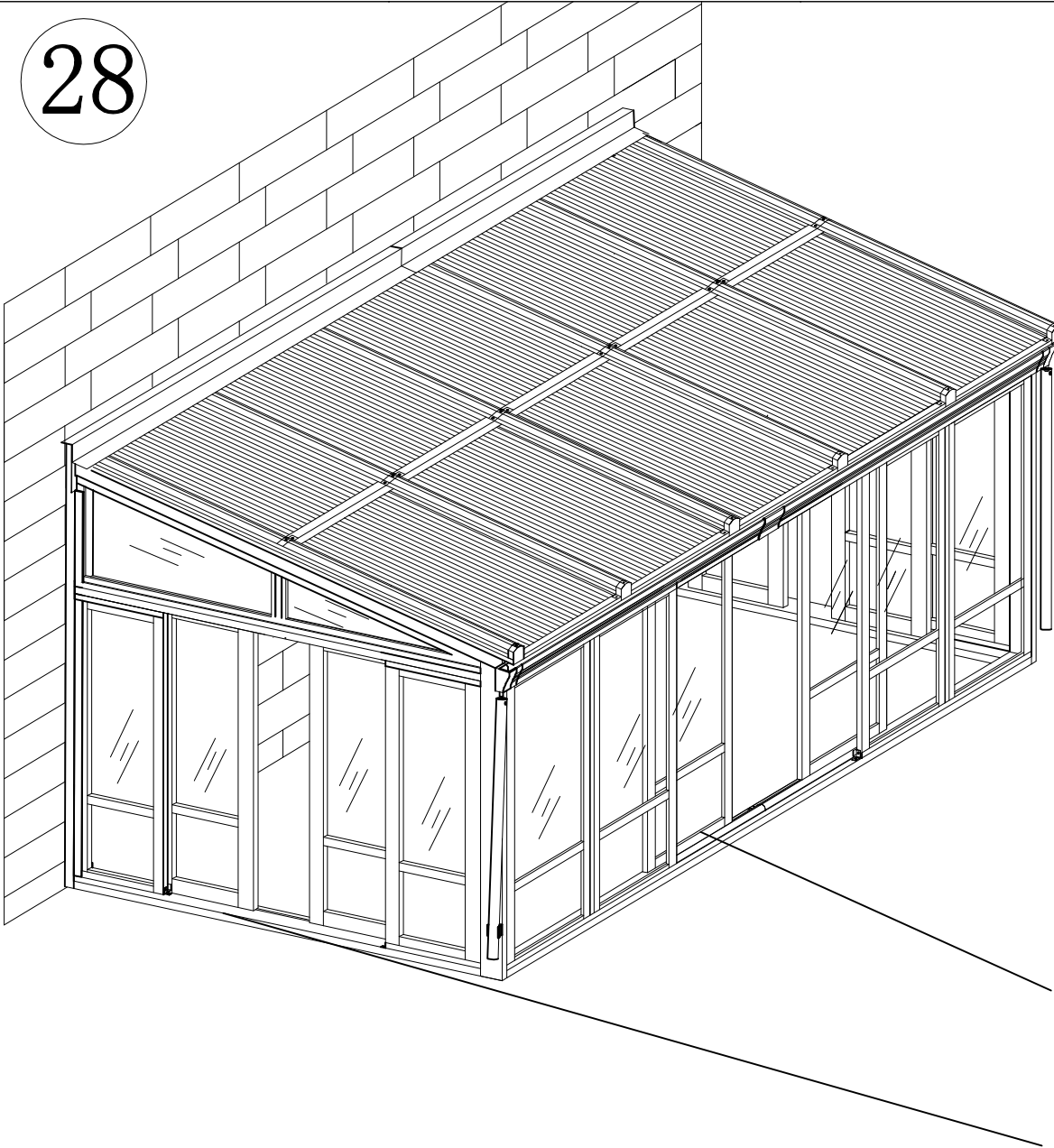
27  ×2

28  ×2

A  ×4

32  ×42

28



33



5m

×1