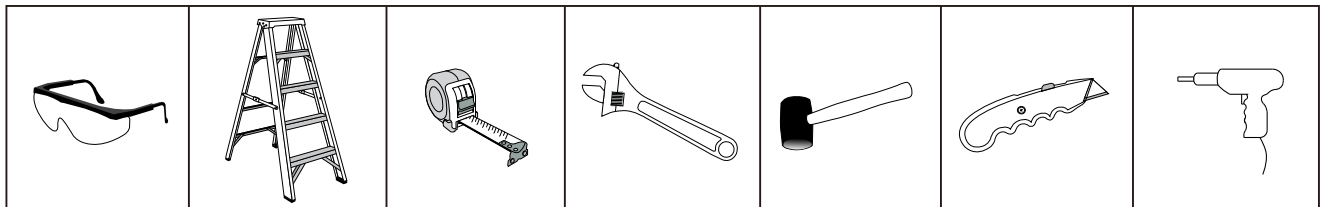
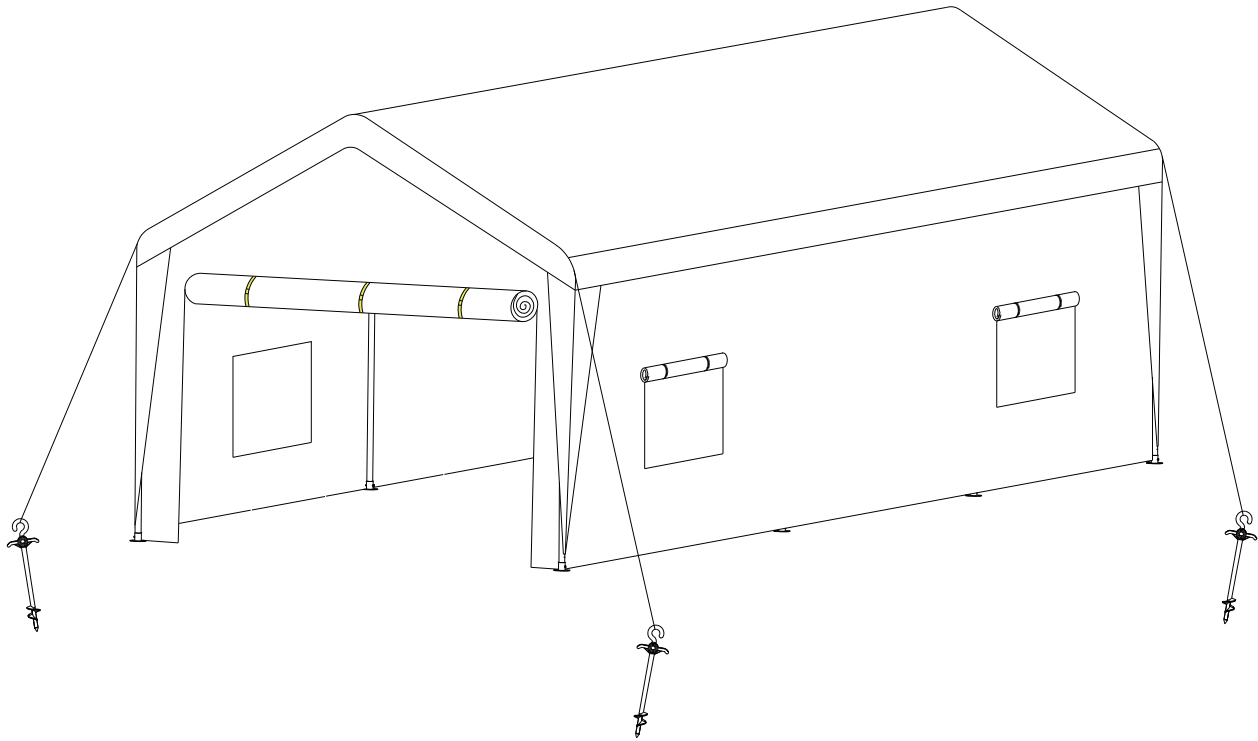


10' x 20' Car Canopy



*All the optional tools listed above are not included in this product.



X 2 +



50 min

Important Precaution

Before assembly, read these instructions carefully. Assemble the canopy in the location where you intend to use it. 2 or more people are recommended for assembly

Warning

Keep all flame and heat sources away from this canopy fabric.


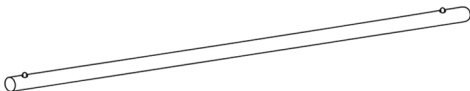
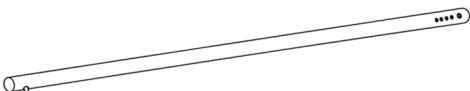





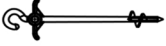

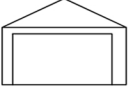


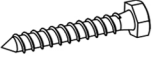

Please check with your local regulations prior to purchasing this item. Some municipalities have restrictions and requirements.

This canopy should not be used during heavy wind, ice, or snow conditions.

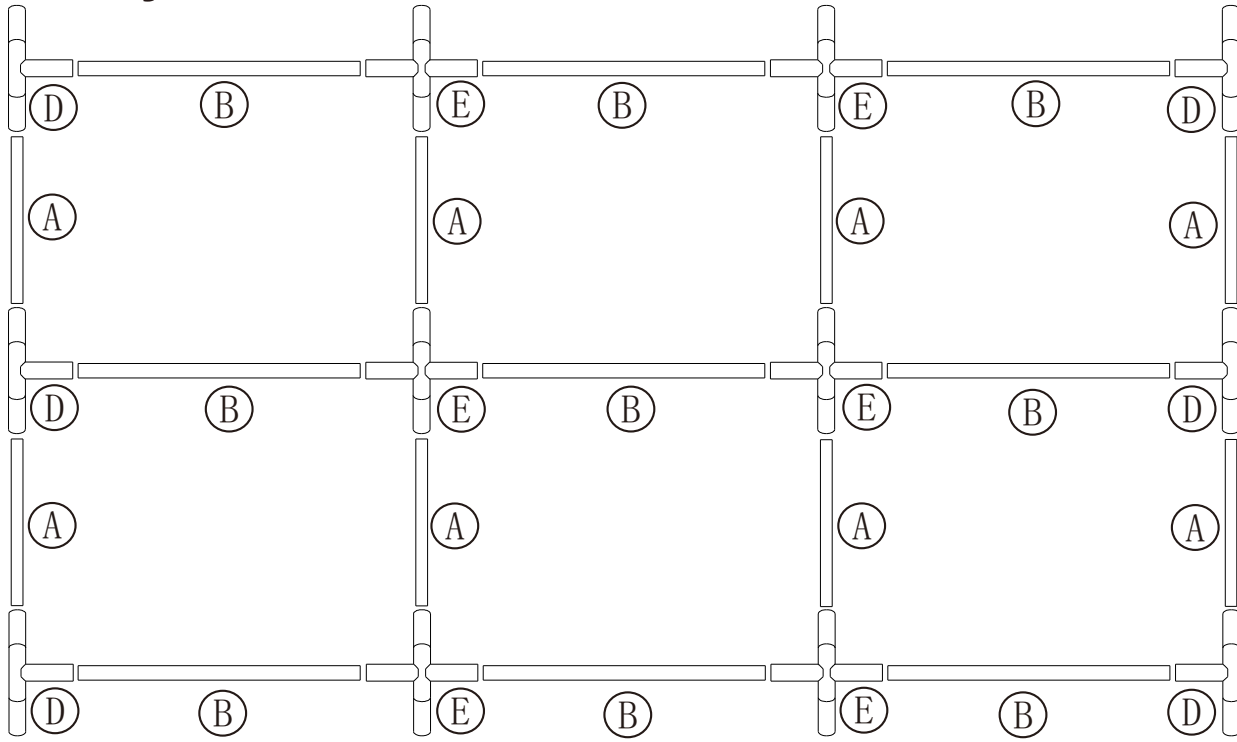
The accumulation of snow and ice on canopy roof may pose a safety concern. Under severe weather conditions, disassemble your canopy and store indoors. It is strongly recommended that the canopy remain secure to the ground at all times via the base plates and nylon straps supplied. Avoid placing the unit on soft ground and ground that is prone to flooding.

The Canopy should not be used by children under the age of 8 or people with mental disorders. Please do so under the supervision of the guardian if necessary. Please do not allow children to play as a toy with these parts

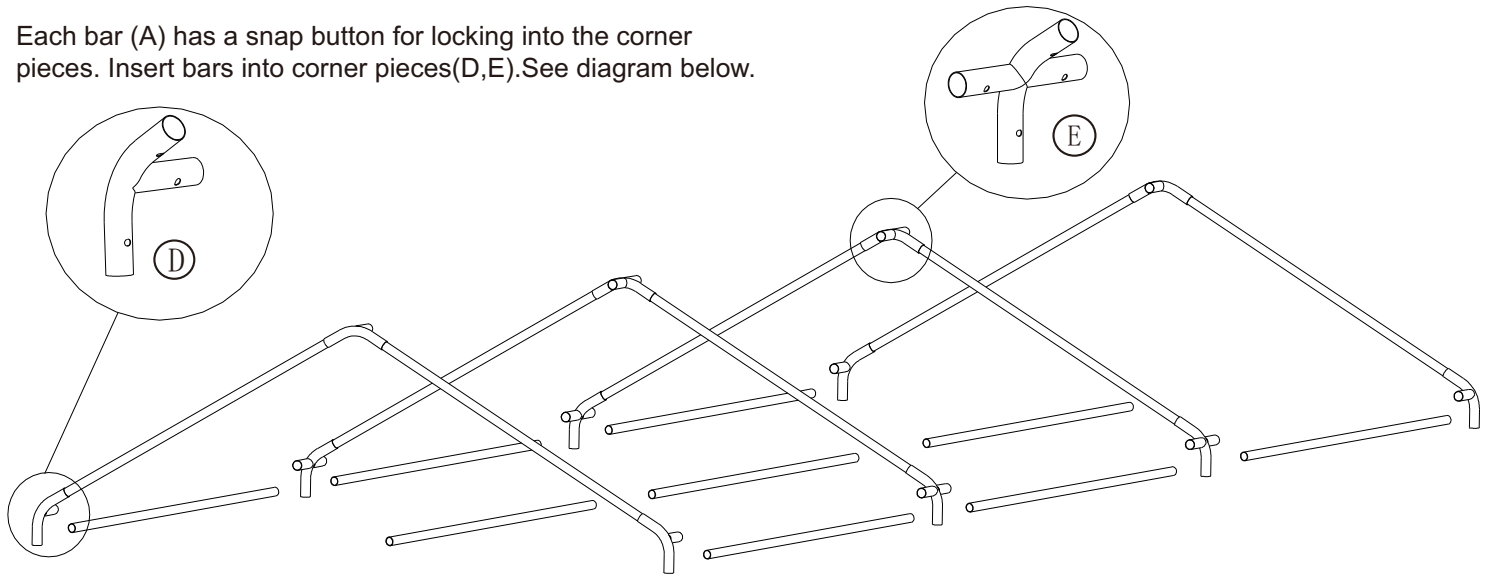
PARTS LIST

PART	DESCRIPTION	ILLUSTRATION	QUANTITY
A	Incline Bar		8
B	Horizontal Bar		9
C	Post		8
D	3-Way Corner		6
E	4-Way Corner		6
F	Base Plate		8
G	Nylon Rope		4
H	Elastic Ball Strap		50+2 (Spare Part)
I	Ground Stake		4
J	Ground Stake		16
K	End Panel		2
L	Side Panel		2
M	Canopy Roof		1
N	Wood Screw		16
O	Plastic Expansion Pipe		16

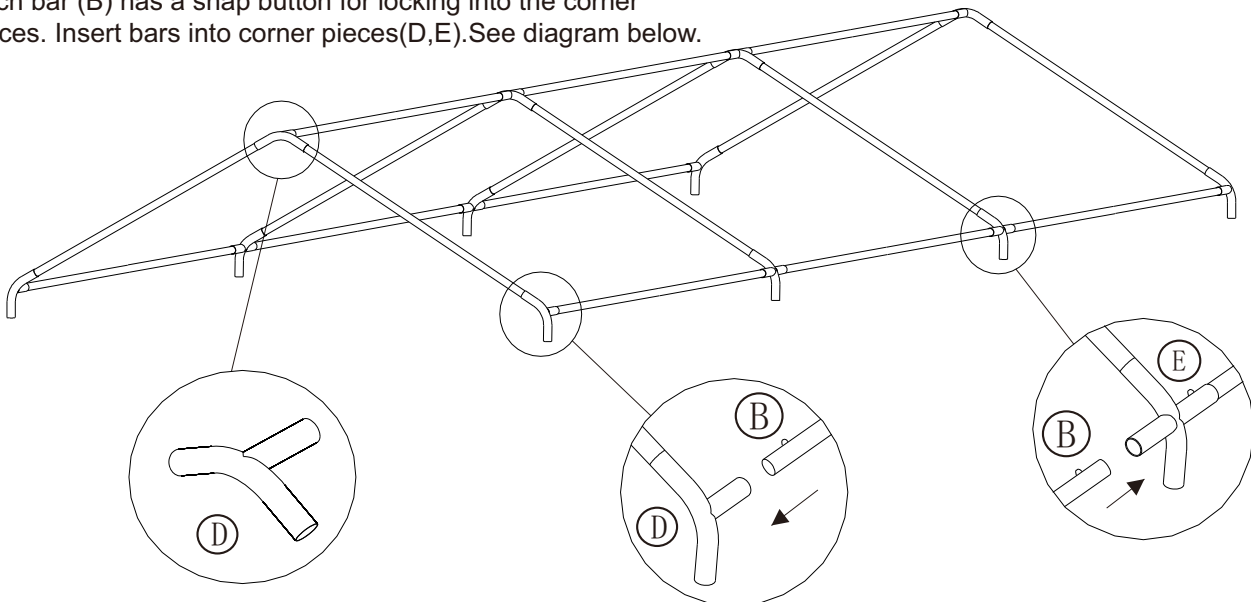
Assembly #1



Each bar (A) has a snap button for locking into the corner pieces (D,E). See diagram below.



Each bar (B) has a snap button for locking into the corner pieces (D,E). See diagram below.

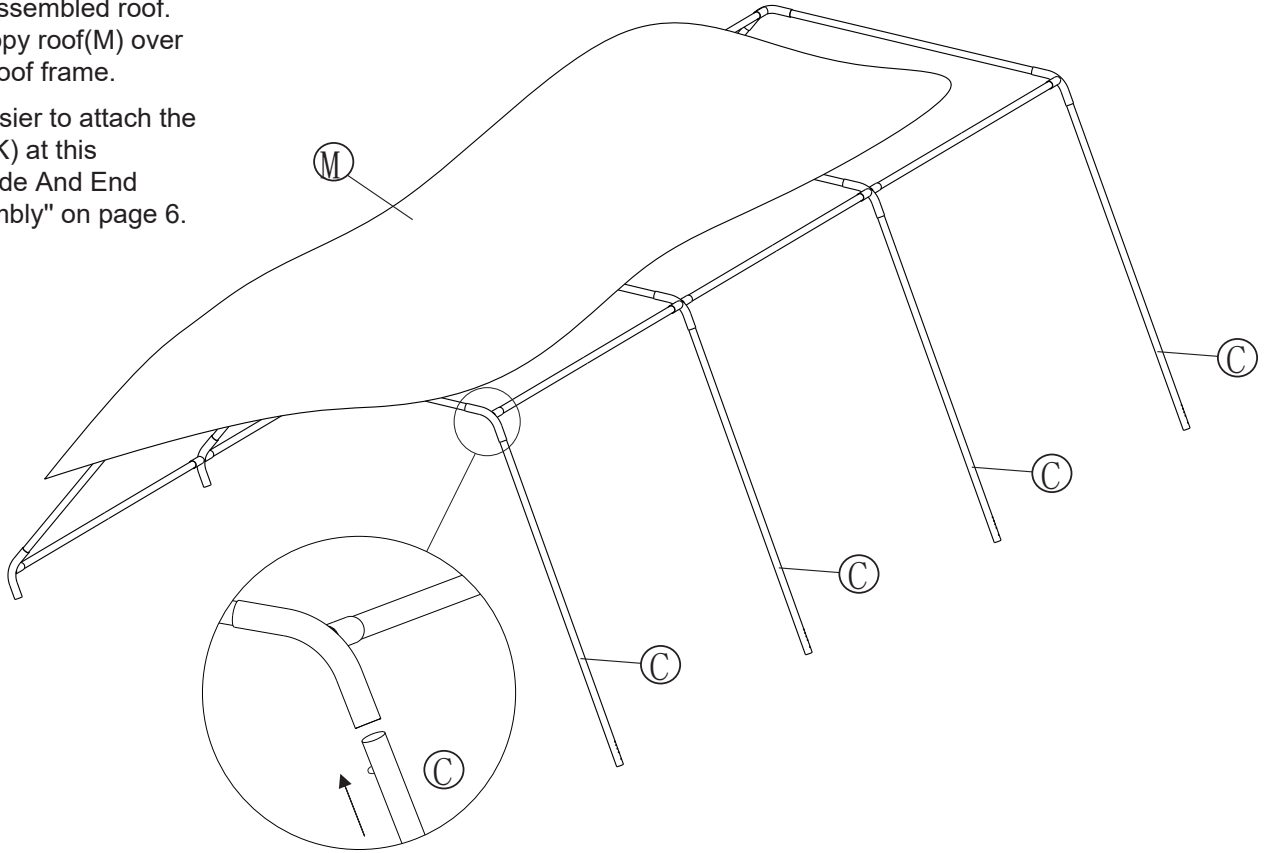


Assembly #2

Post Assembly - Part 1 & Canopy Roof Assembly

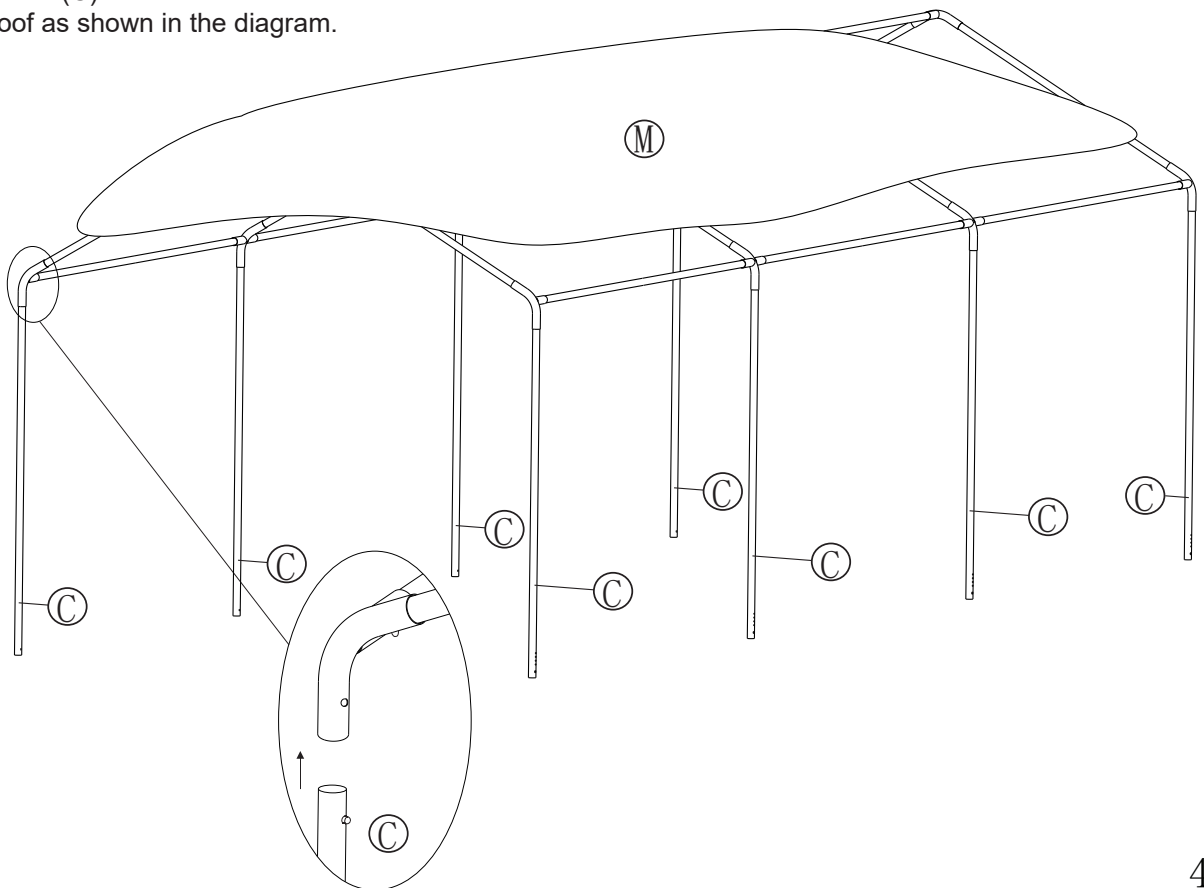
Insert posts(C) into the corners on one side of the assembled roof.
Spread canopy roof(M) over assembled roof frame.

It may be easier to attach the end panels(K) at this point. See "Side And End Panel Assembly" on page 6.

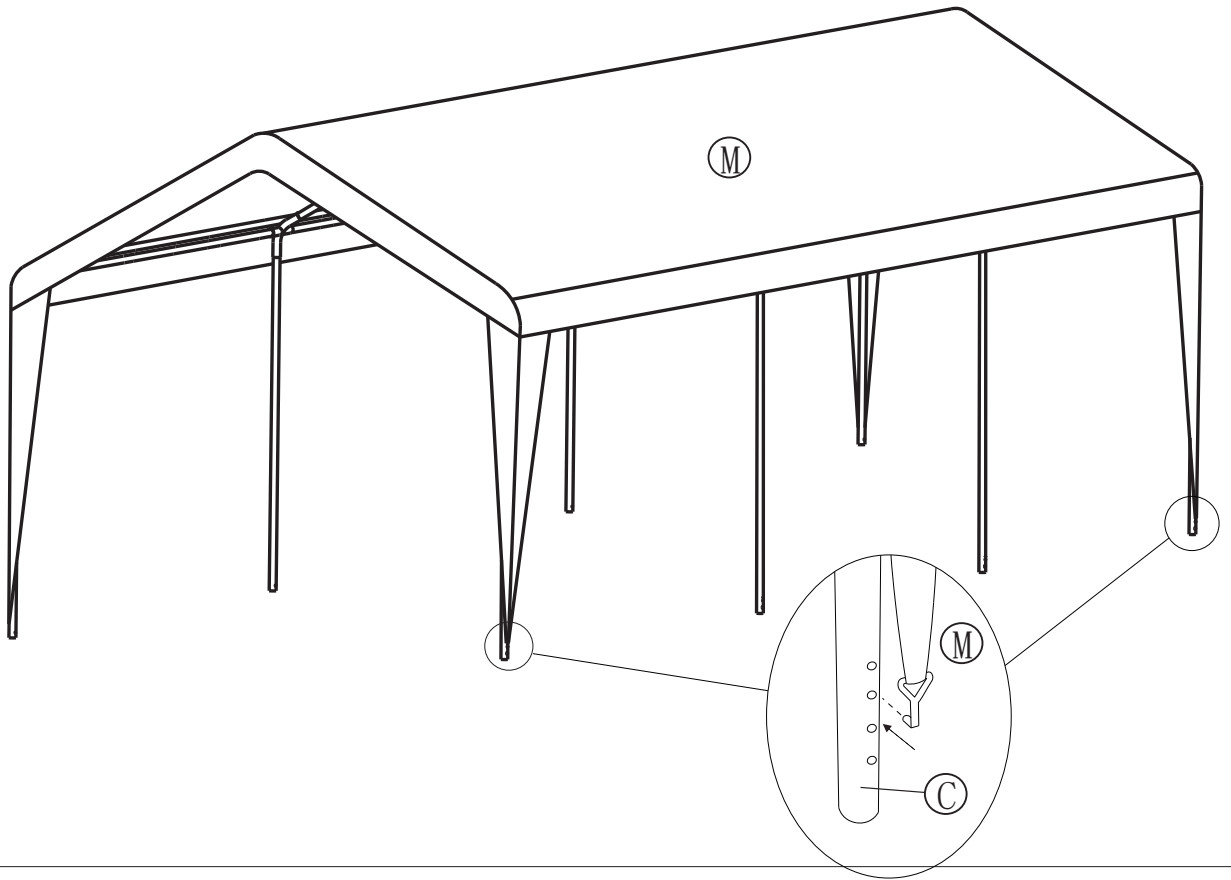


Post Assembly - Part 2

Insert the remaining posts (C) into the corners on the other side of the roof as shown in the diagram.

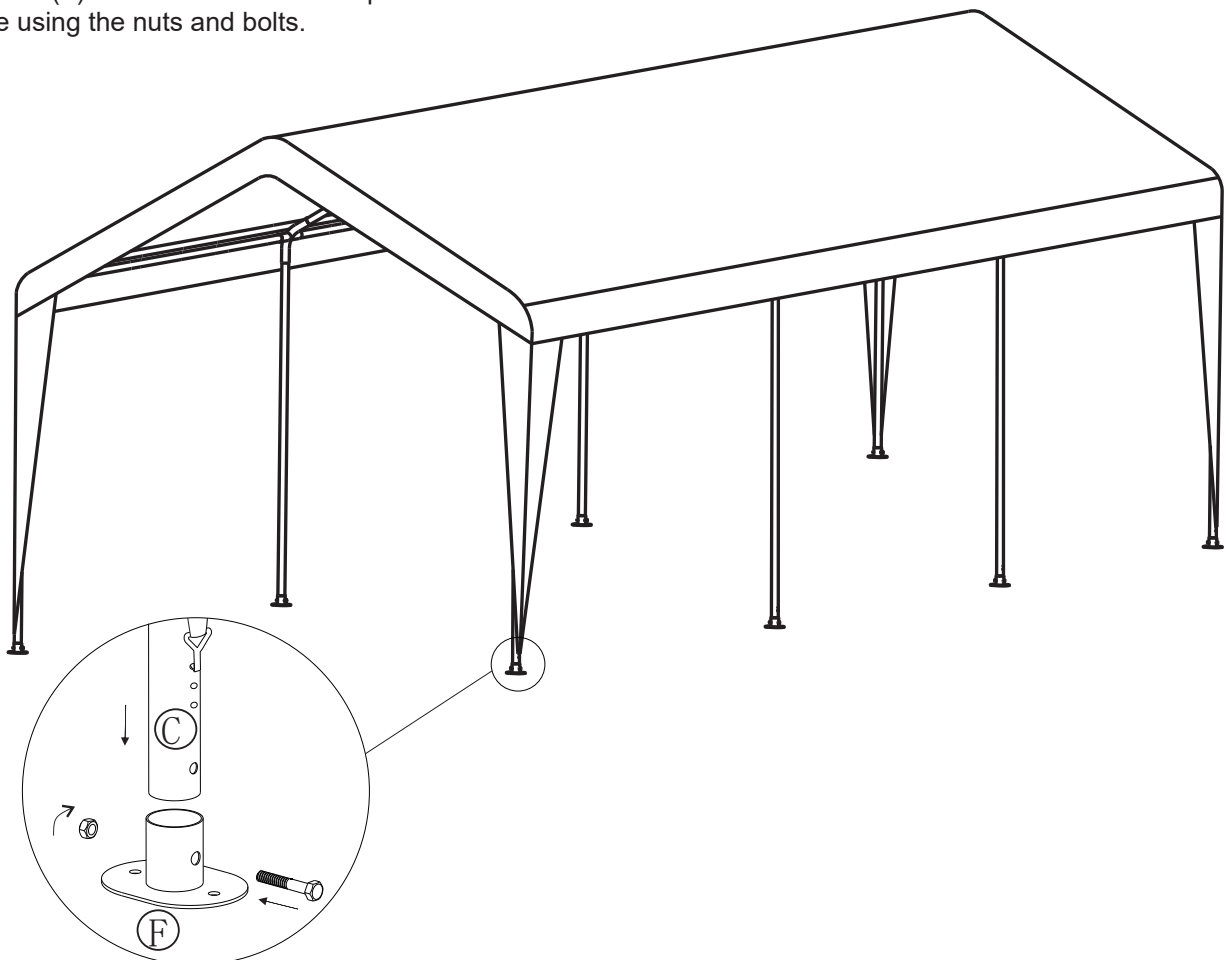


There are hooks attached to the four corners of the canopy roof (M). Insert these hooks into the pre-drilled holes on the four corner posts (C). See diagram below.



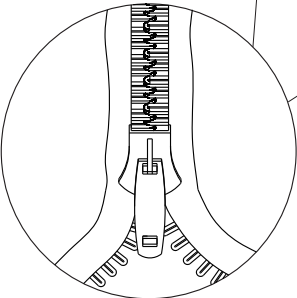
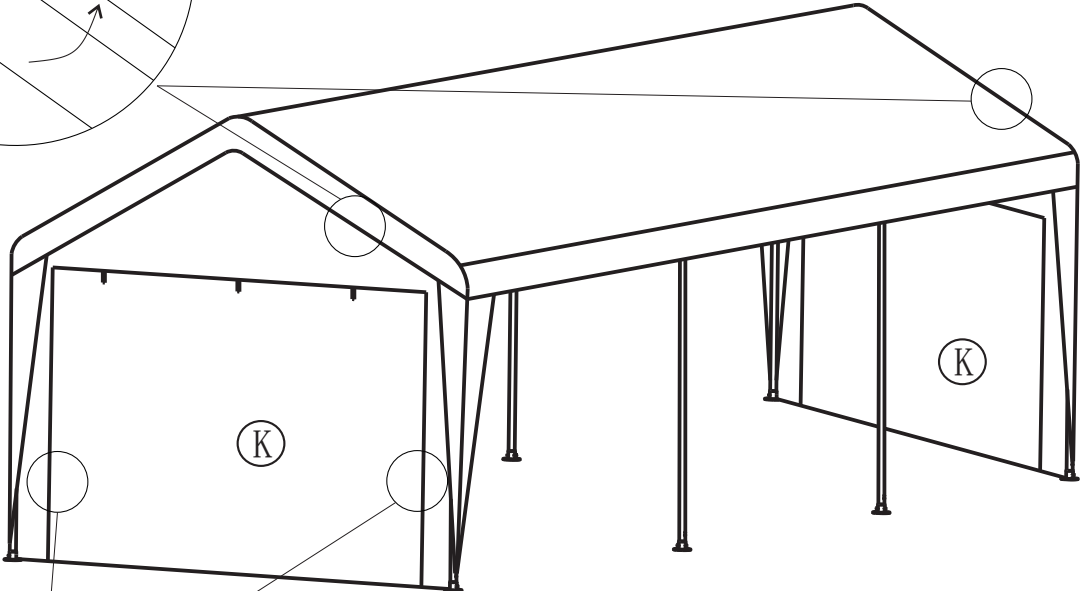
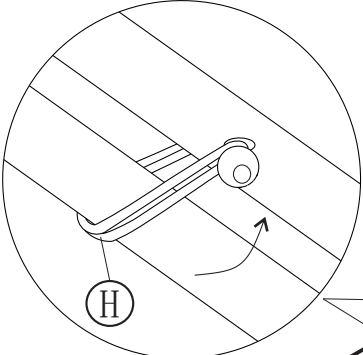
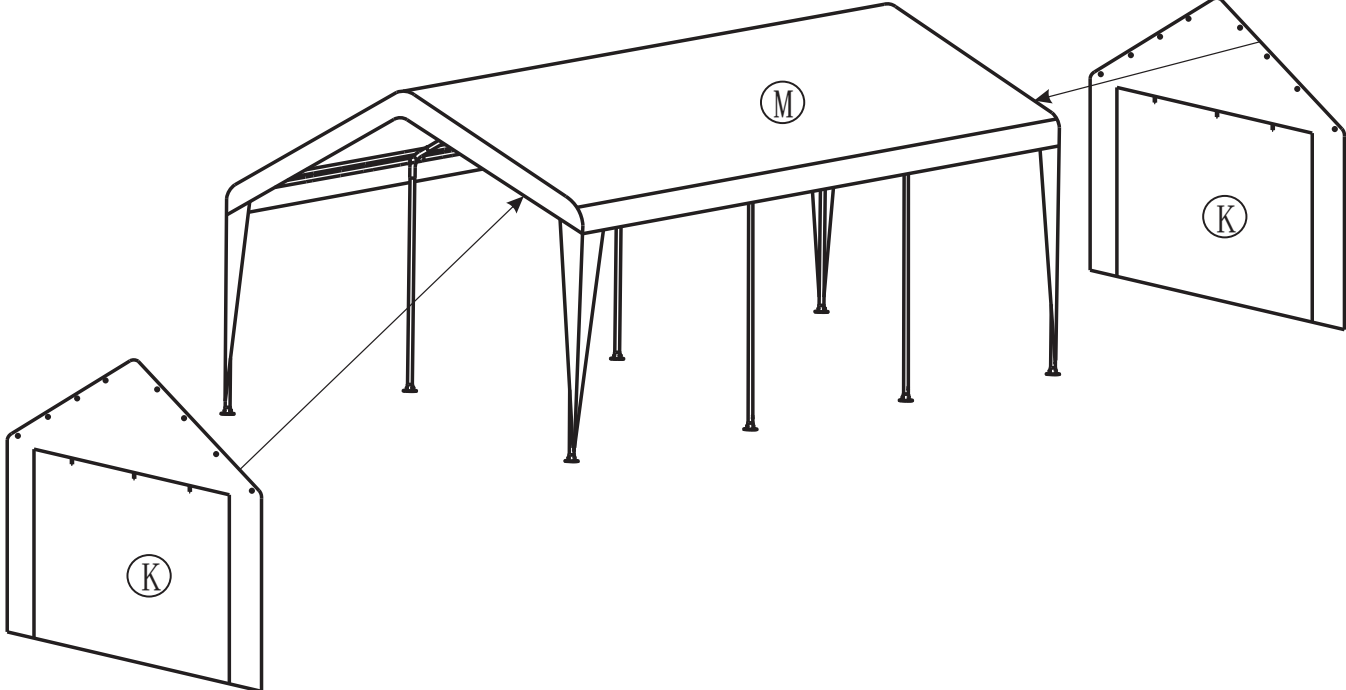
Assembly #3

Base Plate Assembly
Insert base plates (F) on to the bottom of the posts (C) and secure using the nuts and bolts.



Assembly #4

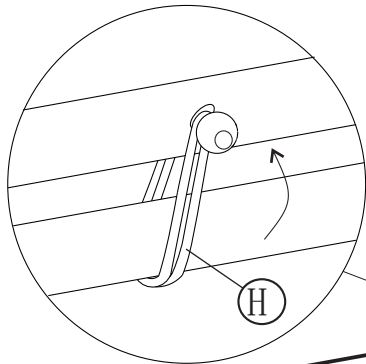
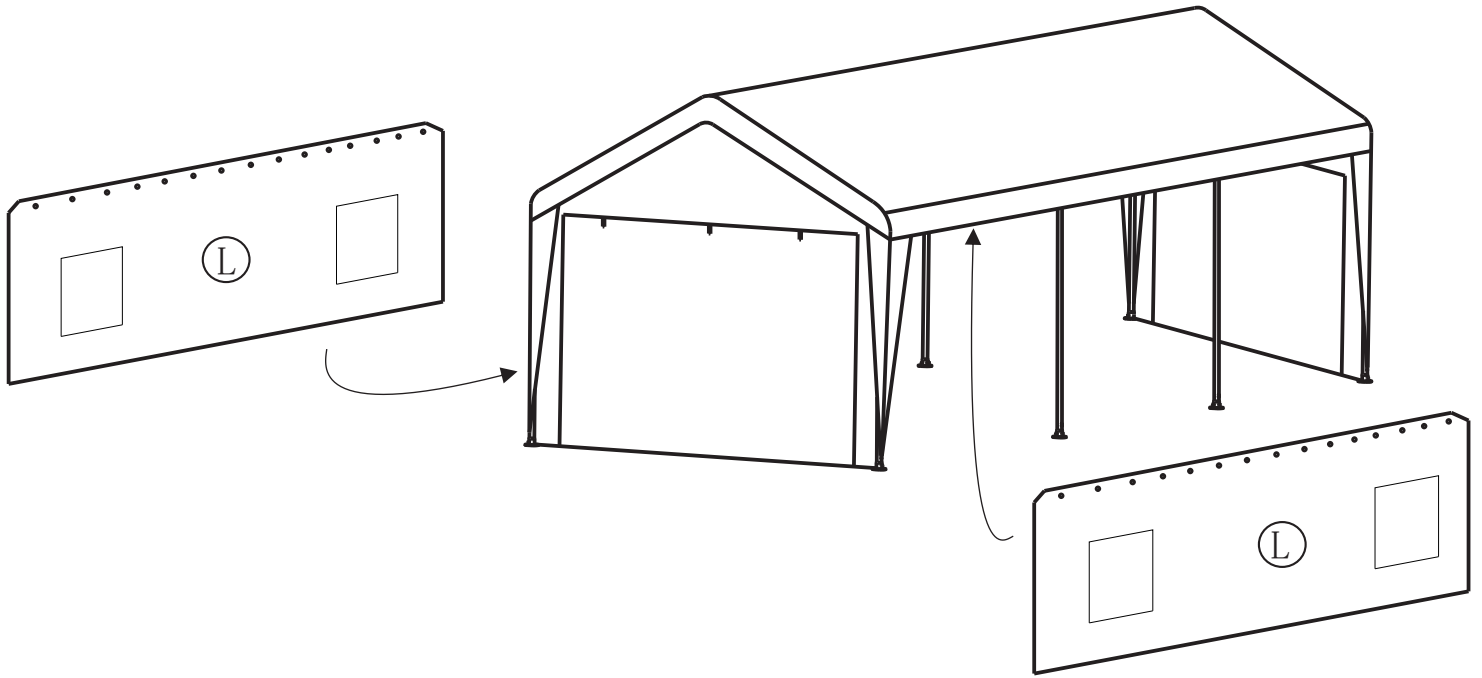
End Panel Assembly
Attach the end panel (K) using the elastic ball straps(H).



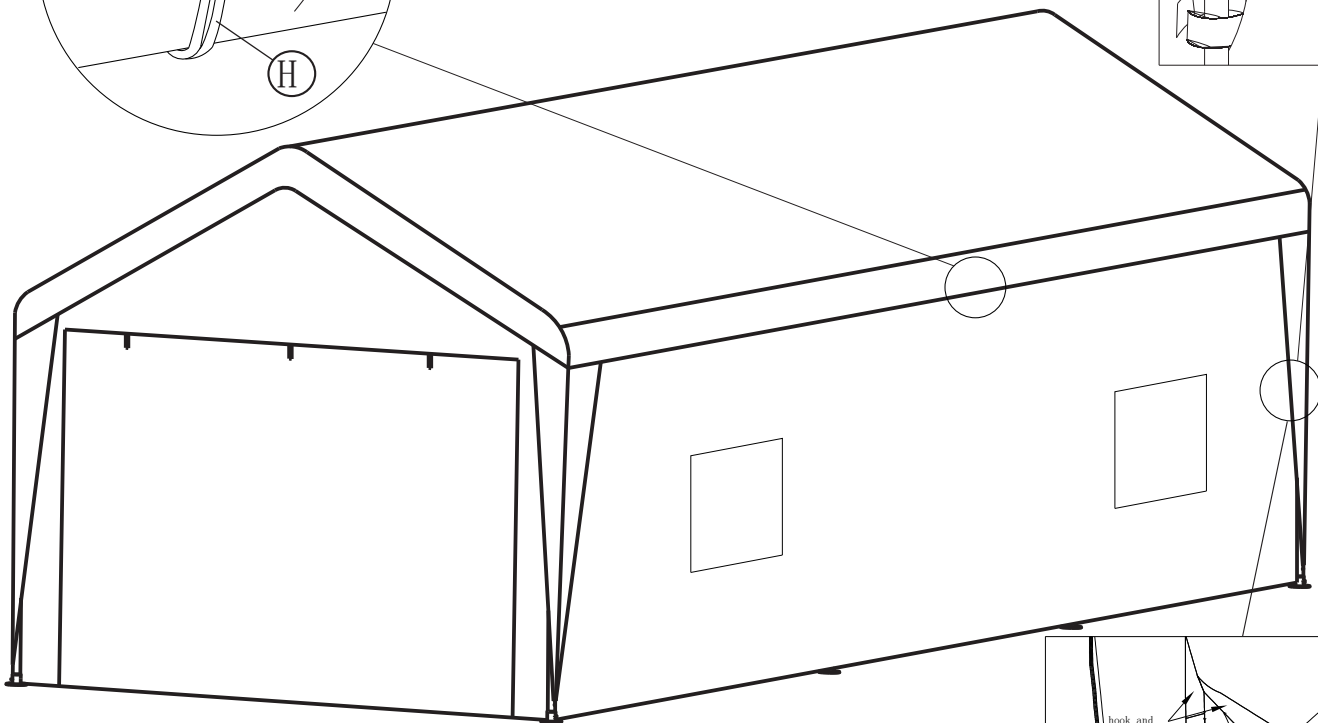
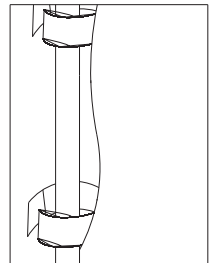
Assembly #5

Side Panel Assembly

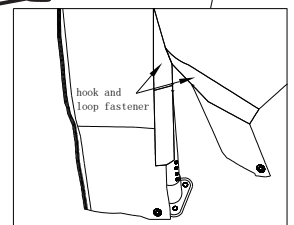
Insert the elastic strap through the grommet in the roof (M), embrace the frame, through the grommet in the side panel (L) and then stretch the elastic band over the ball. See diagram below.



Secure side panels to the posts (C) with 3 hook and loop fasteners attached to the side panels.

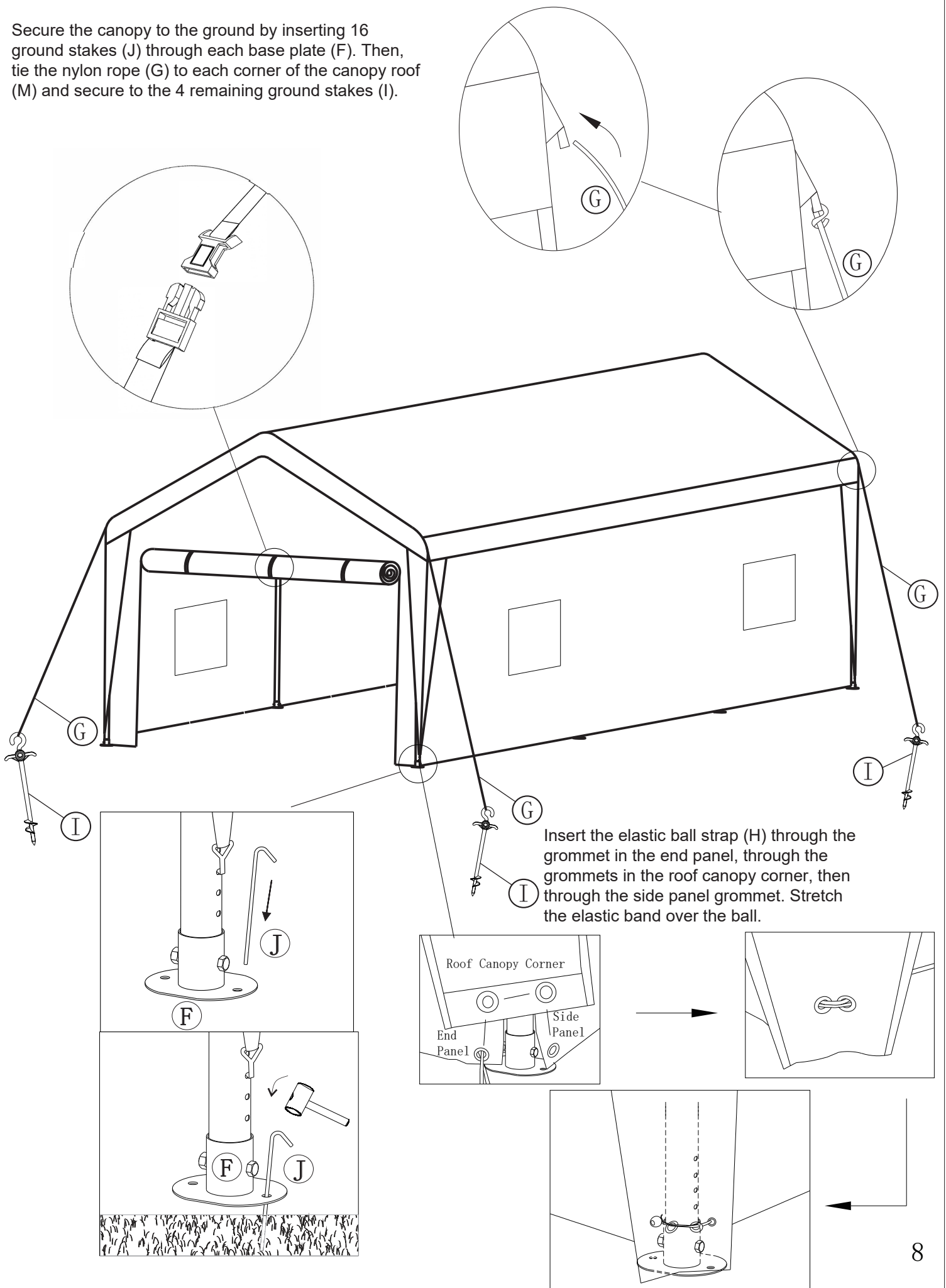


Secure adjacent panels with hook and loop fasteners on edge of each panel.

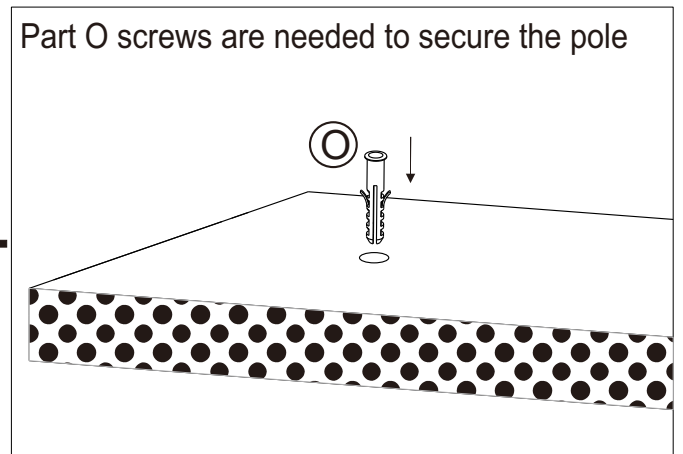
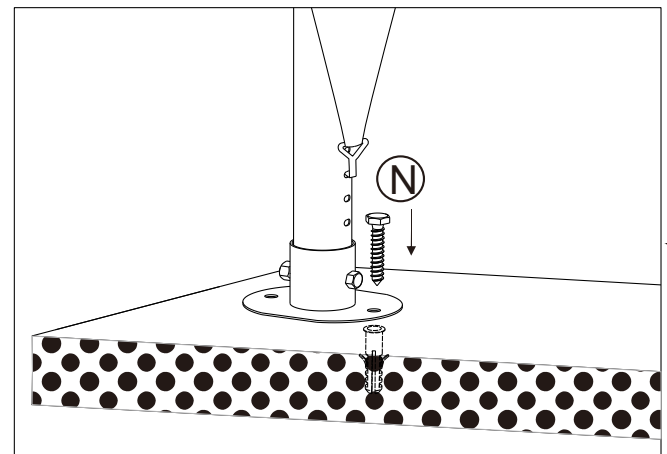
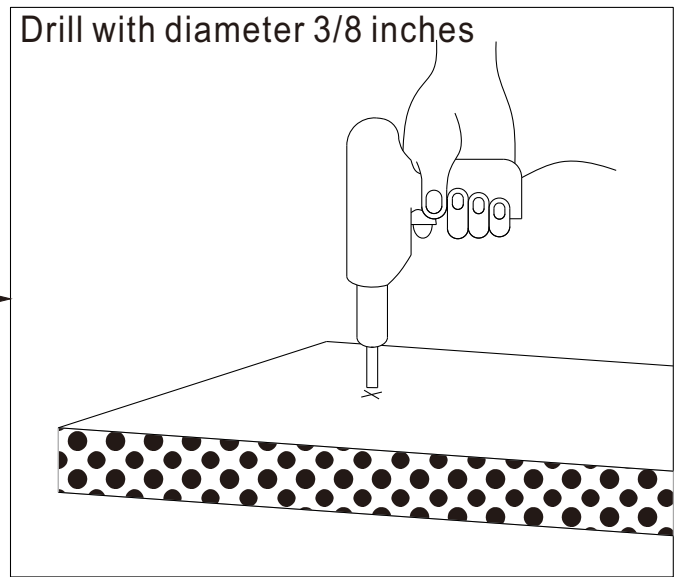
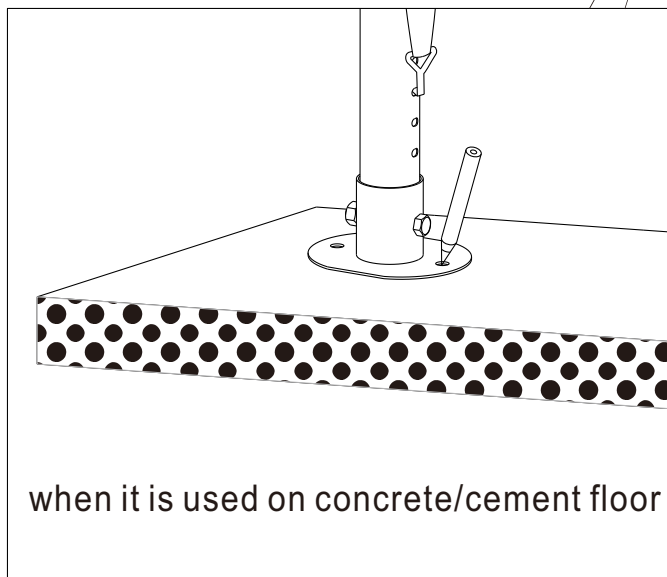
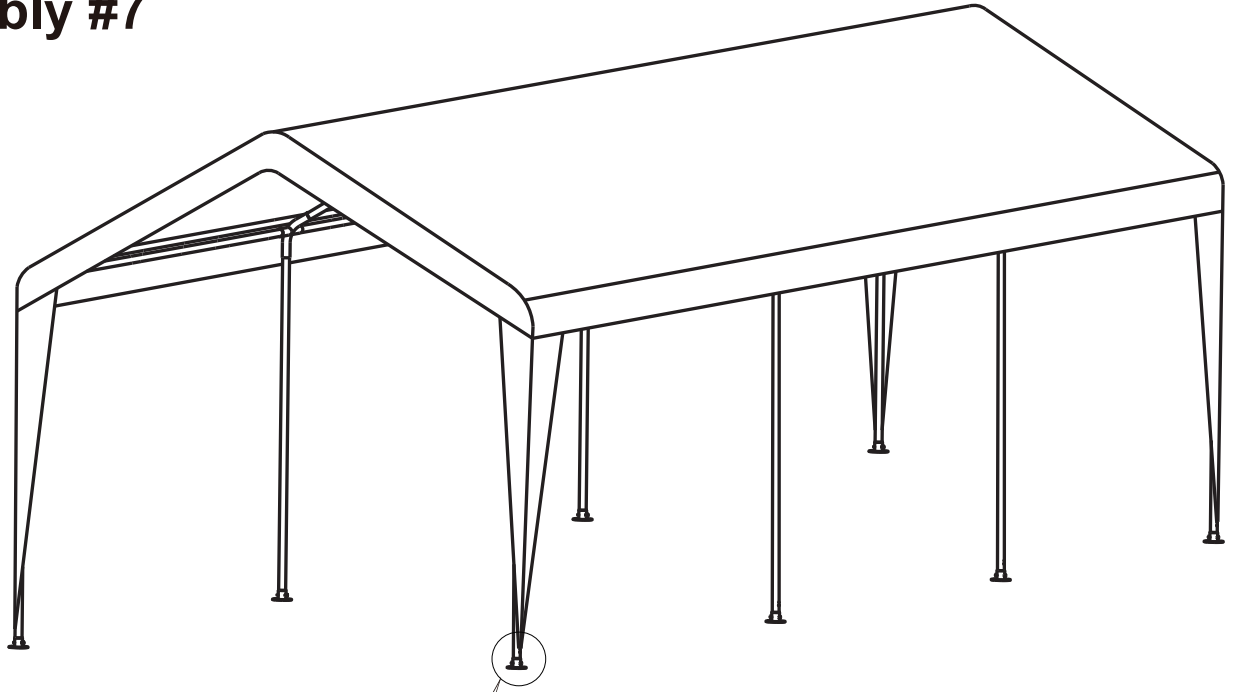


Assembly #6

Secure the canopy to the ground by inserting 16 ground stakes (J) through each base plate (F). Then, tie the nylon rope (G) to each corner of the canopy roof (M) and secure to the 4 remaining ground stakes (I).



Assembly #7



Assembly #8

