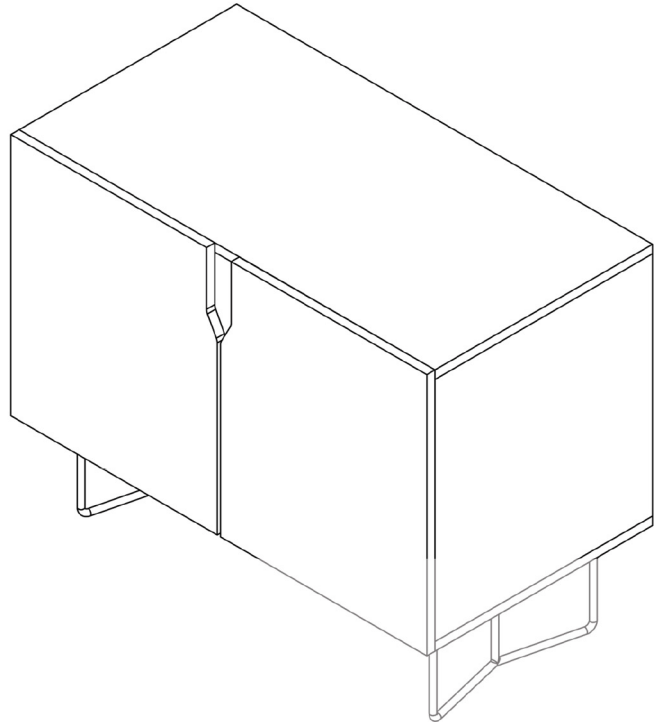
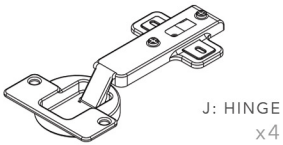


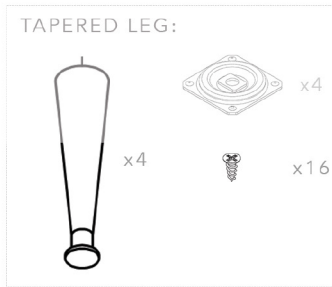
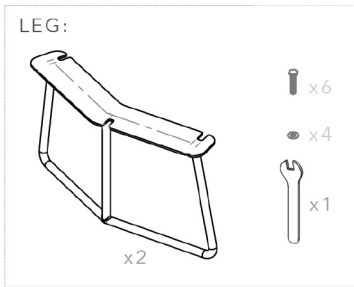
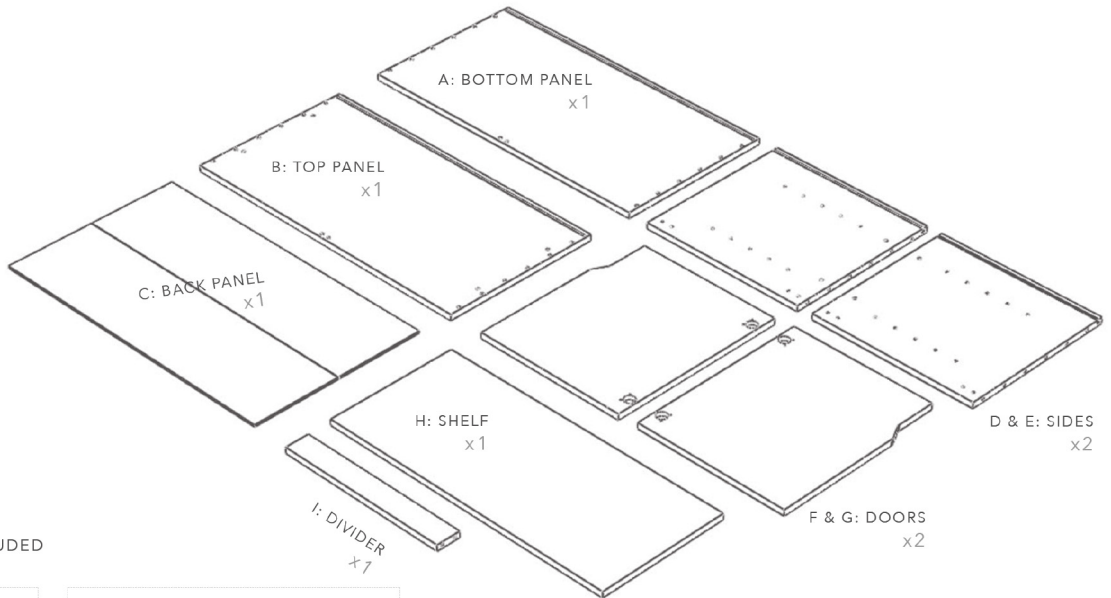
ASSEMBLY INSTRUCTIONS



WHAT'S INCLUDED:



*NOTE: EXTRAS MAY BE INCLUDED



DO NOT USE AN
ELECTRIC
SCREWDRIVER

YOU WILL NEED:



PHILLIPS HEAD
SCREWDRIVER

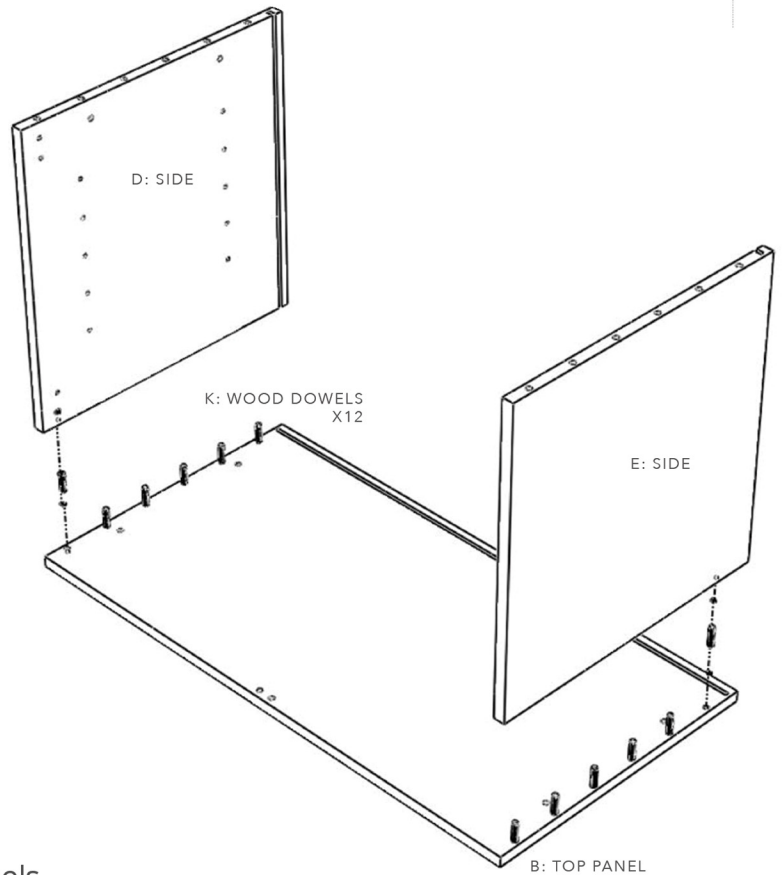


YOU AND ANOTHER HELPER

ASSEMBLY INSTRUCTIONS

1

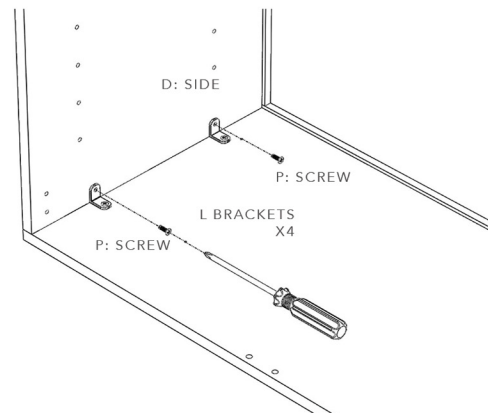
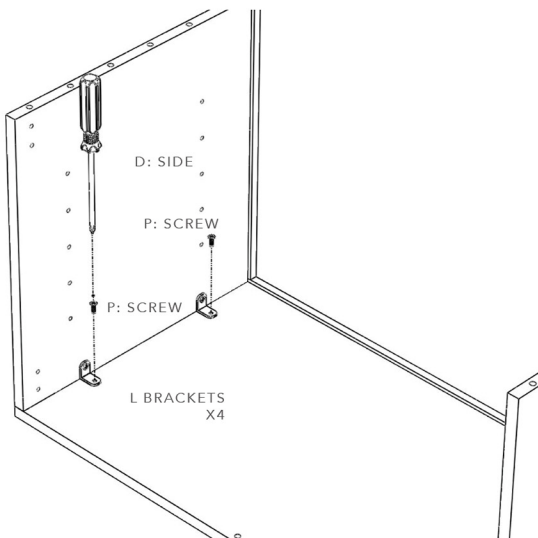
Insert wood dowels into the holes on the bottom of each side panel. Then line up the dowels with the matching holes in the top panel and push down to secure together.



2

Attach L brackets to the top and side panels, using two short black screws per bracket.

Pro Tip: Make sure the panels are flush together by first tightening each screw halfway. Then gradually tighten each screw for an even fit.



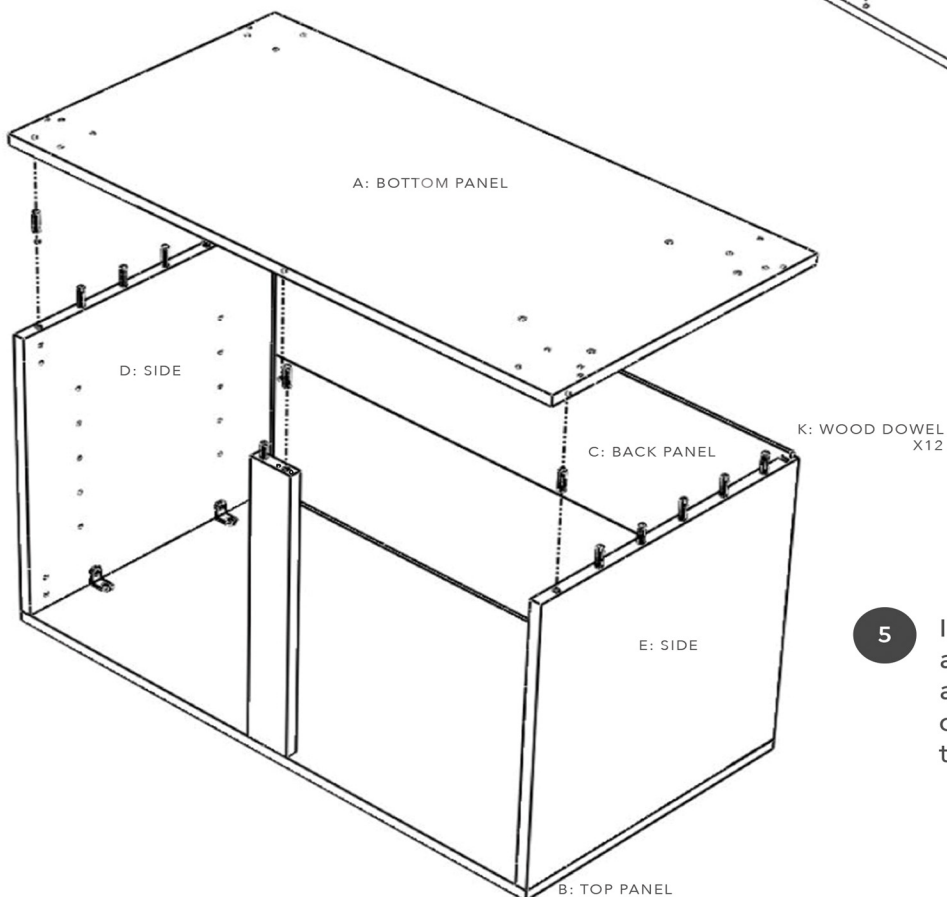
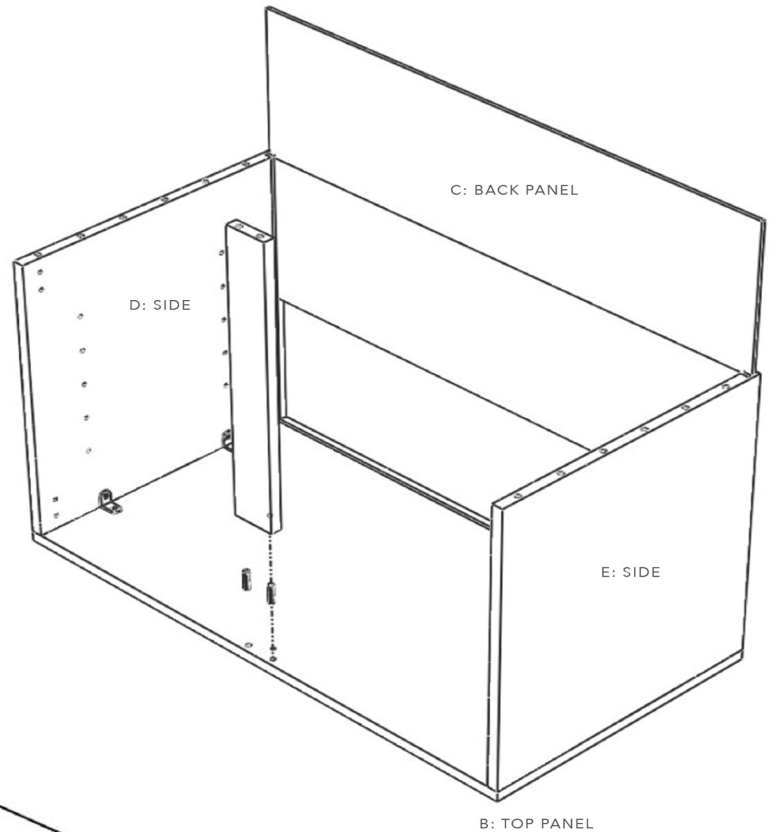
REPEAT AND ADD L BRACKETS ON SIDE E

ASSEMBLY INSTRUCTIONS

PRO TIP: TO PROTECT THE WOOD, ASSEMBLE ON TOP OF THE CARDBOARD SHEETS INCLUDED IN YOUR PACKAGING.

- 3 Slide the back panels into the groove along the back of the top panel.

- 4 Insert wood dowels into the holes on the bottom of the divider. Then line up the dowels with the matching holes in the top panel and push down to secure together.

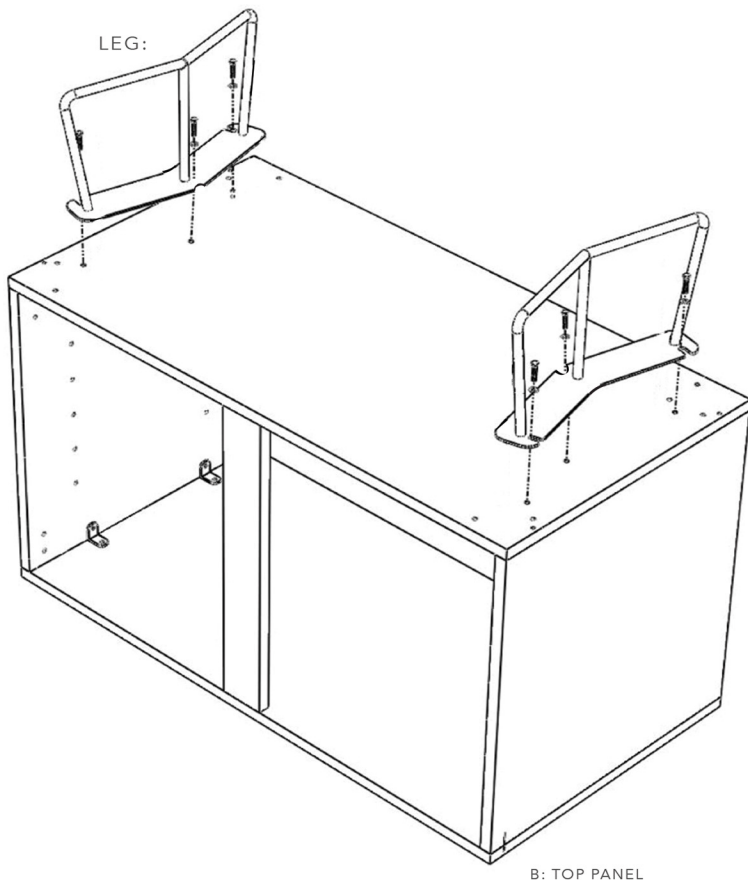
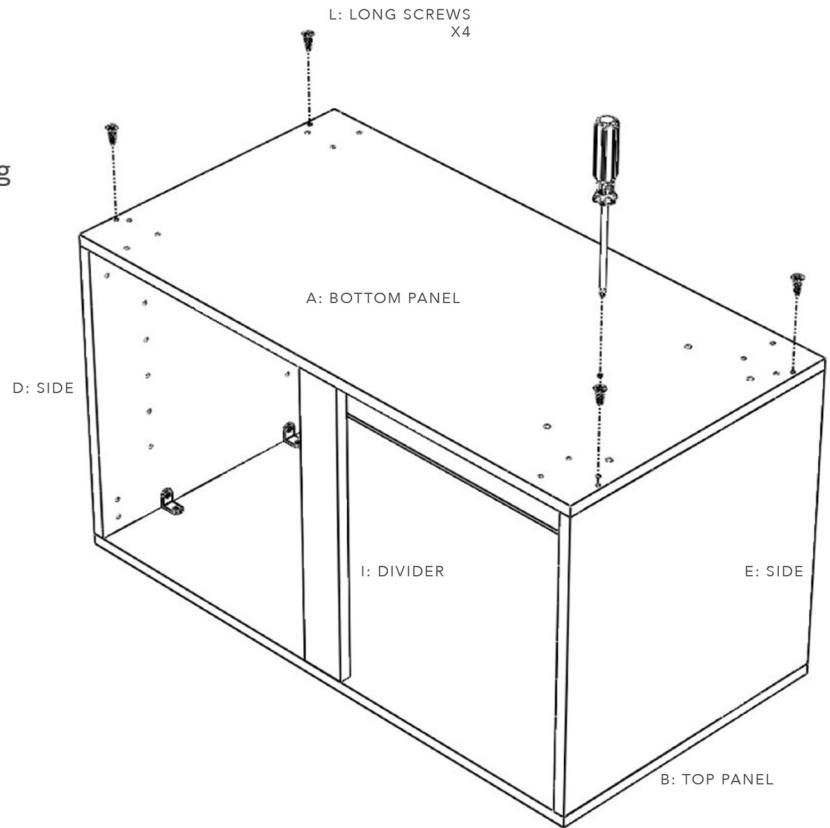


- 5 Insert wood dowels into the holes along the top of each side panel and the divider. Then line up the dowels with the matching holes in the top panel and push down.

ASSEMBLY INSTRUCTIONS

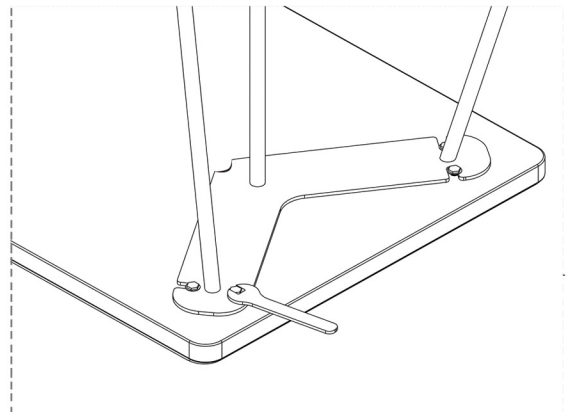
6

Secure the bottom panel using four long screws.

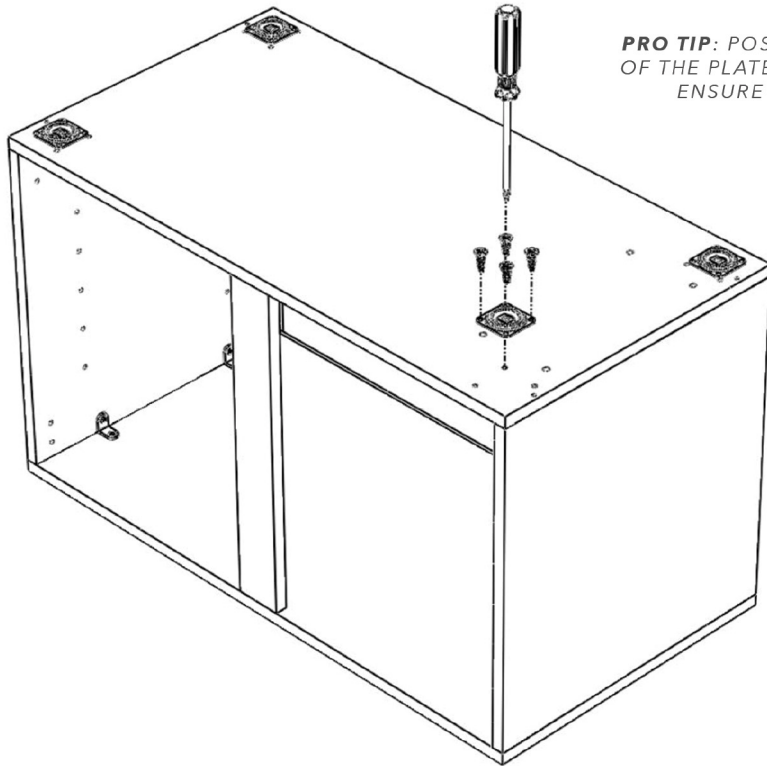


7

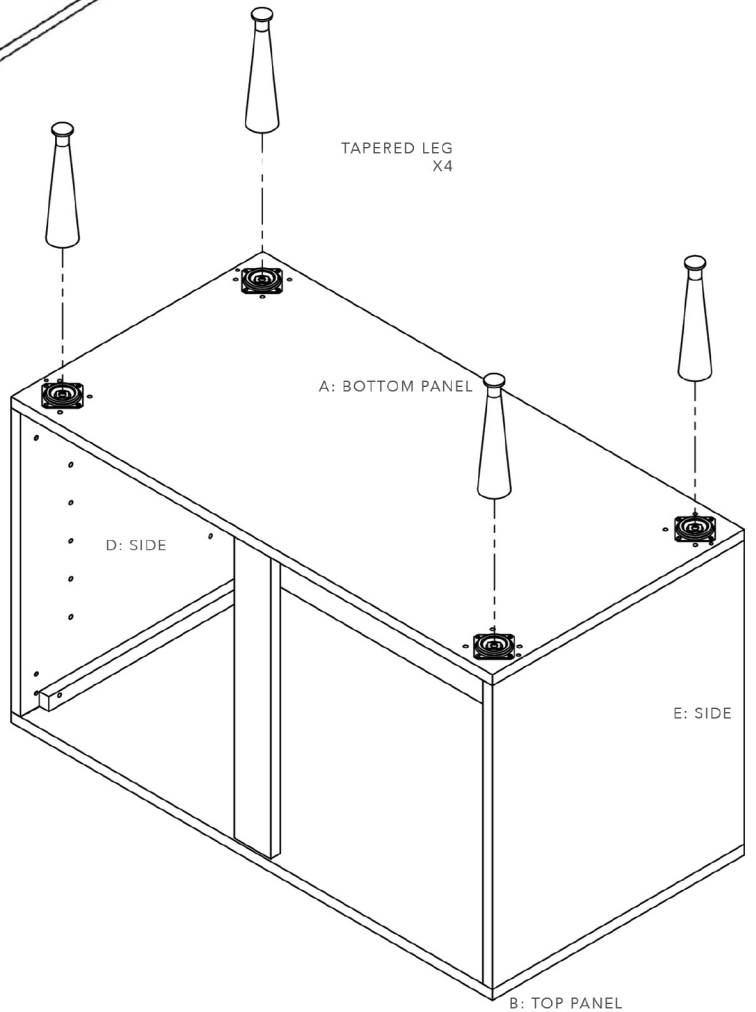
Align each leg with the holes in the bottom panel. Then use the wrench to secure each with one bolt and washer per hole.



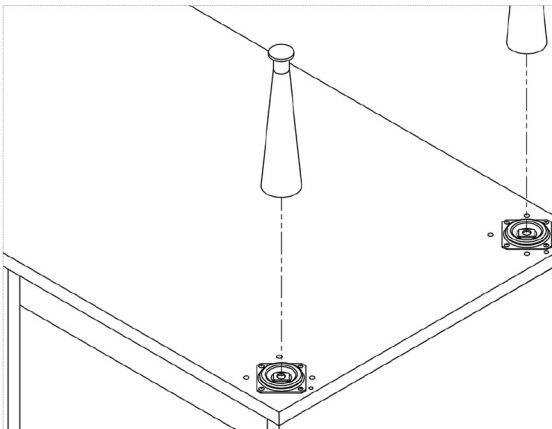
ASSEMBLY INSTRUCTIONS



PRO TIP: POSITION THE LEG PLATES SO THAT THE ANGLED PART OF THE PLATE IS FACING INWARD FROM EACH CORNER. THIS WILL ENSURE YOUR WOODEN LEGS ARE ANGLED CORRECTLY.



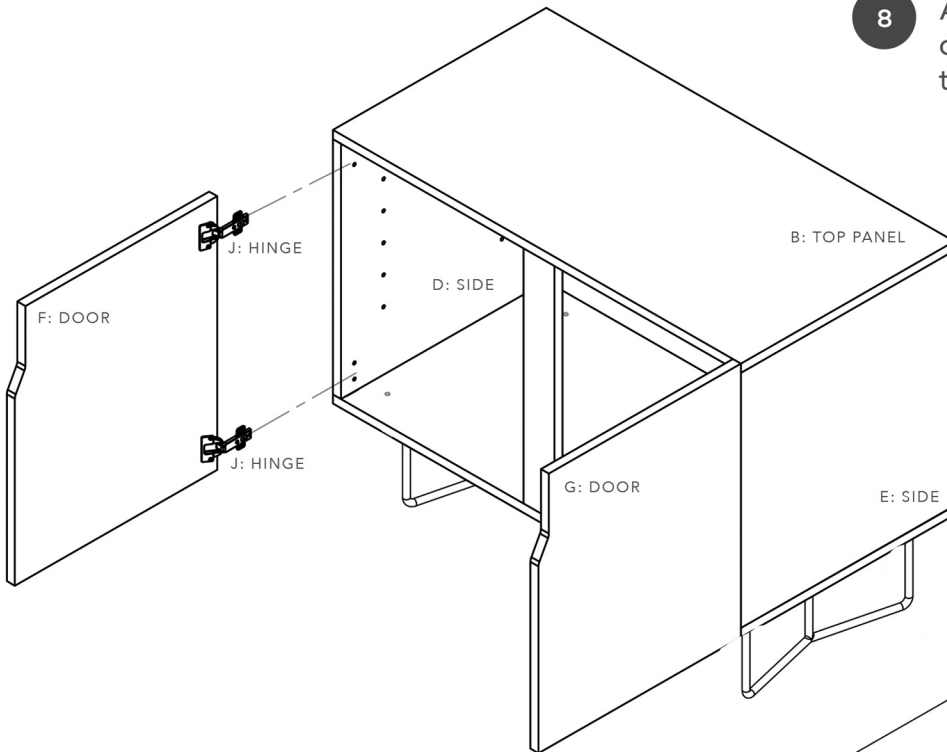
TAPERED LEG:



ASSEMBLY INSTRUCTIONS

8

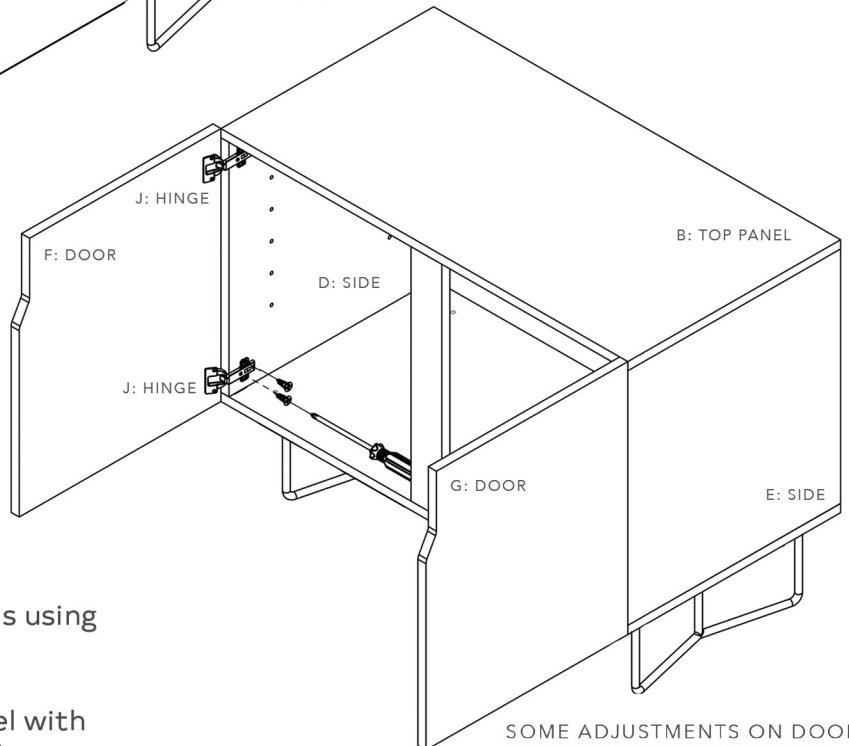
Align each hinge with the holes in the door panels. Then secure each with two short screws.



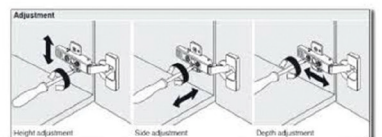
9

Attach door panels to the side panels using two short screws per hinge.

Pro Tip: Make sure the doors are level with the top panel by first tightening each screw halfway. Then gradually tighten each screw for an even fit.



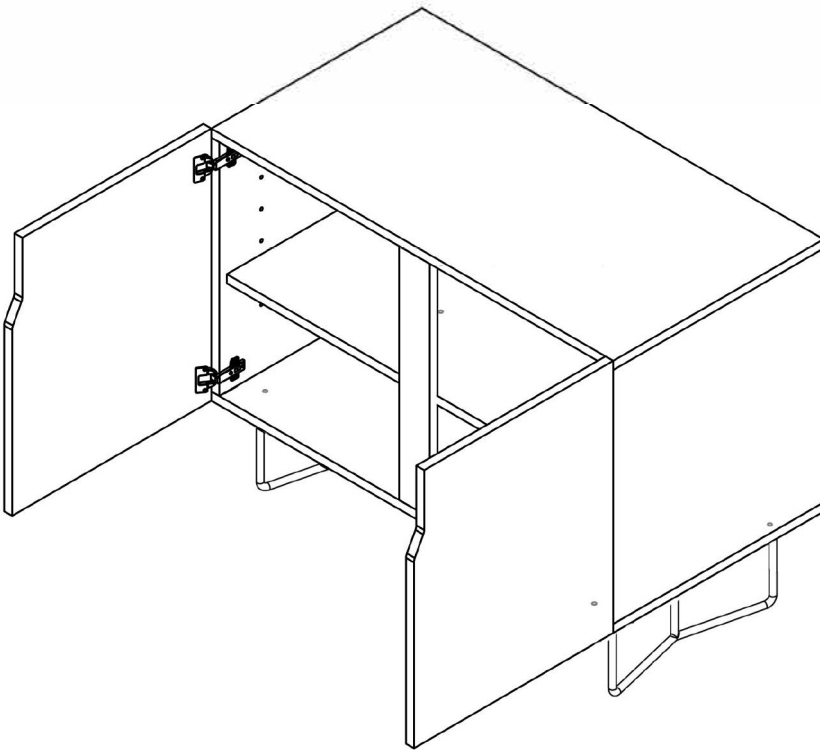
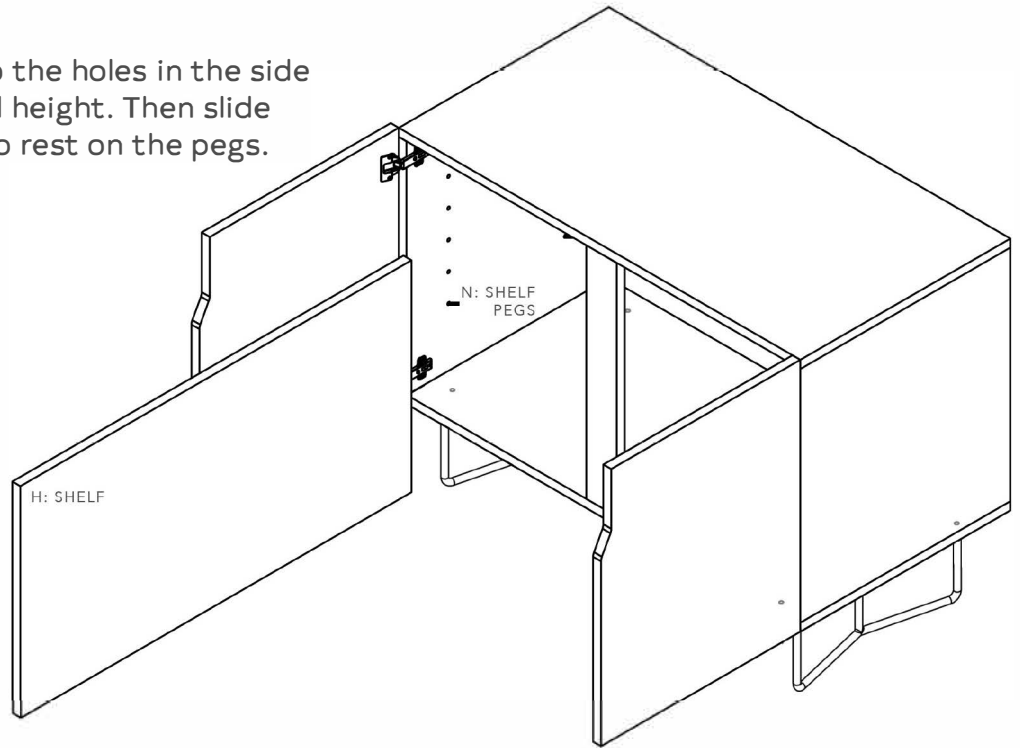
SOME ADJUSTMENTS ON DOOR HINGES WILL BE NECESSARY.



ASSEMBLY INSTRUCTIONS

10

Insert shelf pegs into the holes in the side panels at the desired height. Then slide the shelf in and lift to rest on the pegs.



PRO TIP: TO PROTECT WOOD AND HARD FLOORS, USE INCLUDED FELT PROTECTORS UNDERNEATH THE LEGS.