

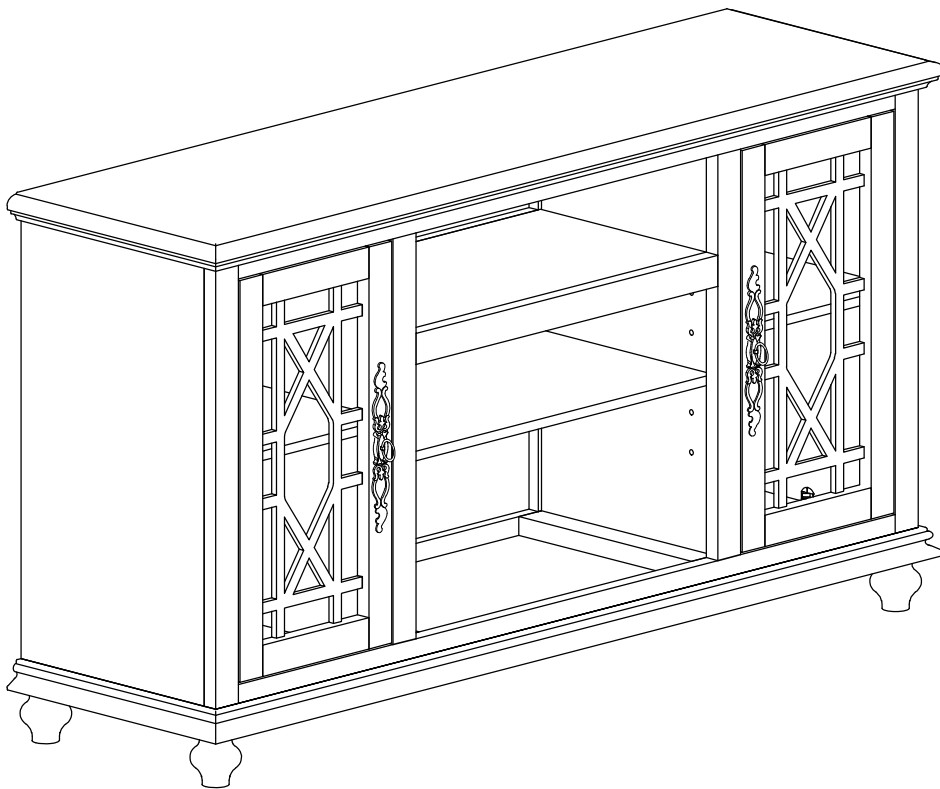
Assembly Instructions

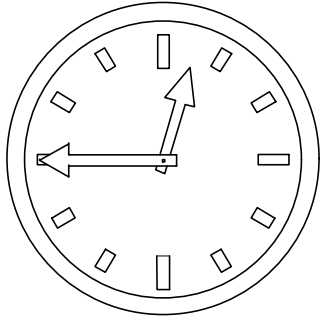
910191 Elegant 2 Door TV Stand - Teal

910193 Elegant 2 Door TV Stand - White

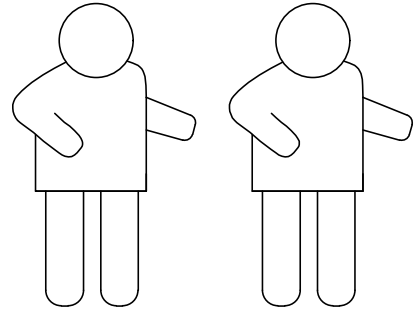
910195 Elegant 2 Door TV Stand - Blue

Product Issues? Please Call Us Before Contacting Your Retailer At
1-800-549-3300, email customerservice@mshome.co, or visit mshome.co
We can help with Assembly Issues, Part Requests, Damages, & All Other
Product Related Questions

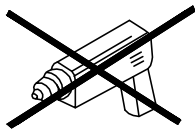
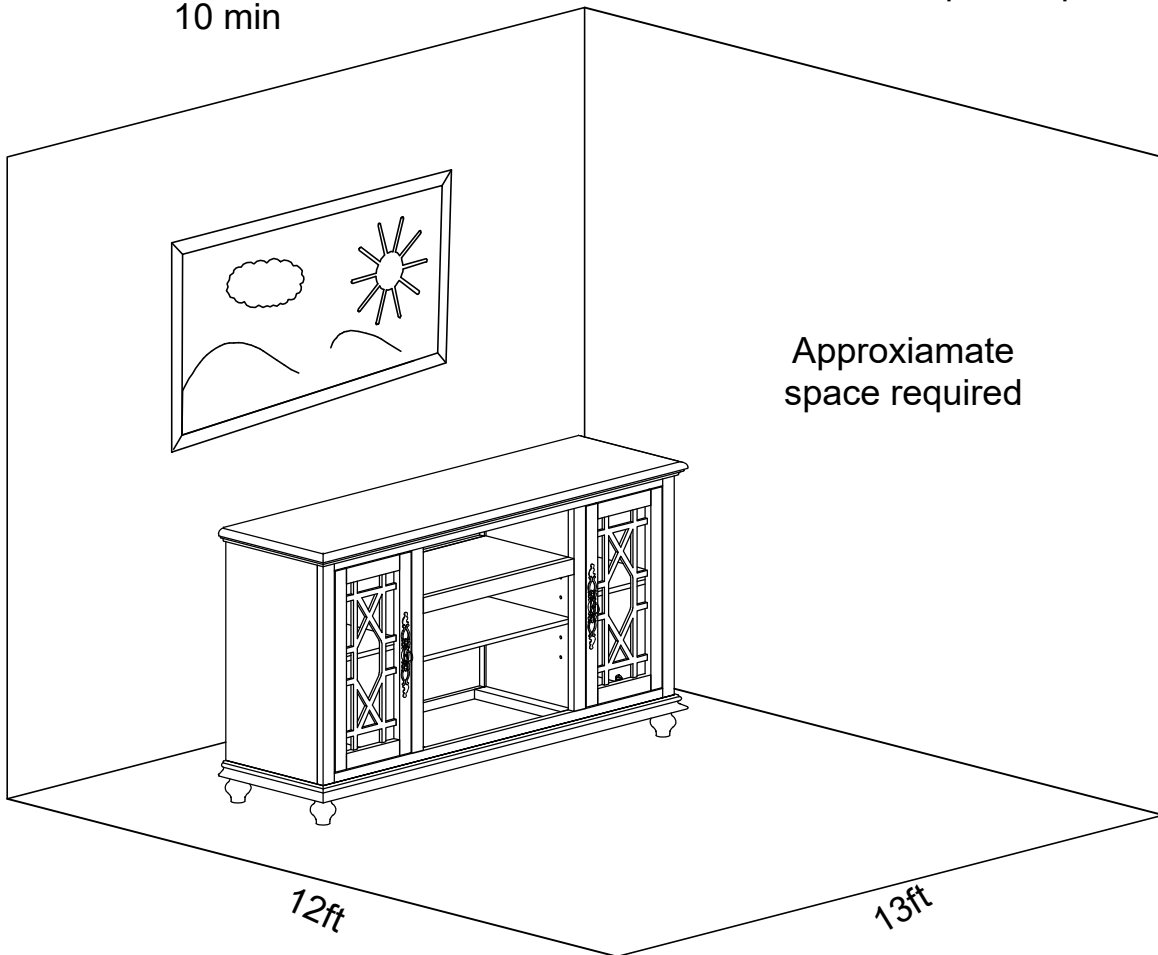




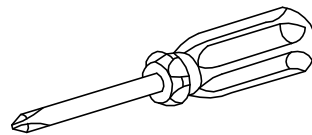
10 min



Two People Required



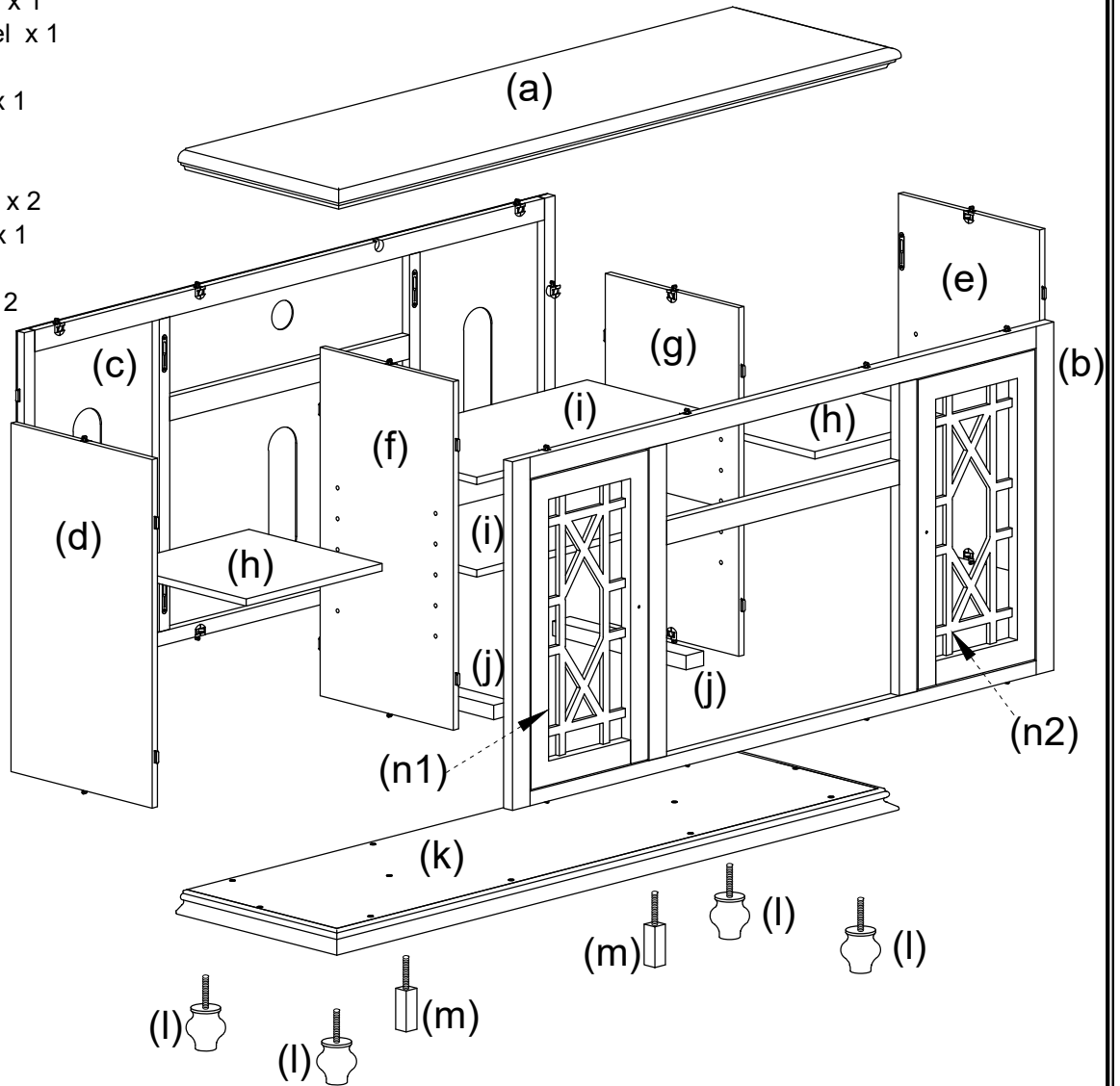
Do not use Power Tools



Phillips Head

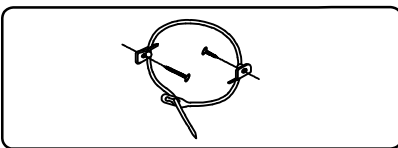
PARTS INCLUDE

- (a) Top panel x 1
- (b) Front frame x 1
- (c) Back frame x 1
- (d) Left side panel x 1
- (e) Right side panel x 1
- (f) Left partition x 1
- (g) Right partition x 1
- (h) Side shelf x 2
- (i) Mid shelf x 2
- (j) Bottom support x 2
- (k) Bottom frame x 1
- (l) Leg x 4
- (m) Leg support x 2
- (n1) Door 1
- (n2) Door 2



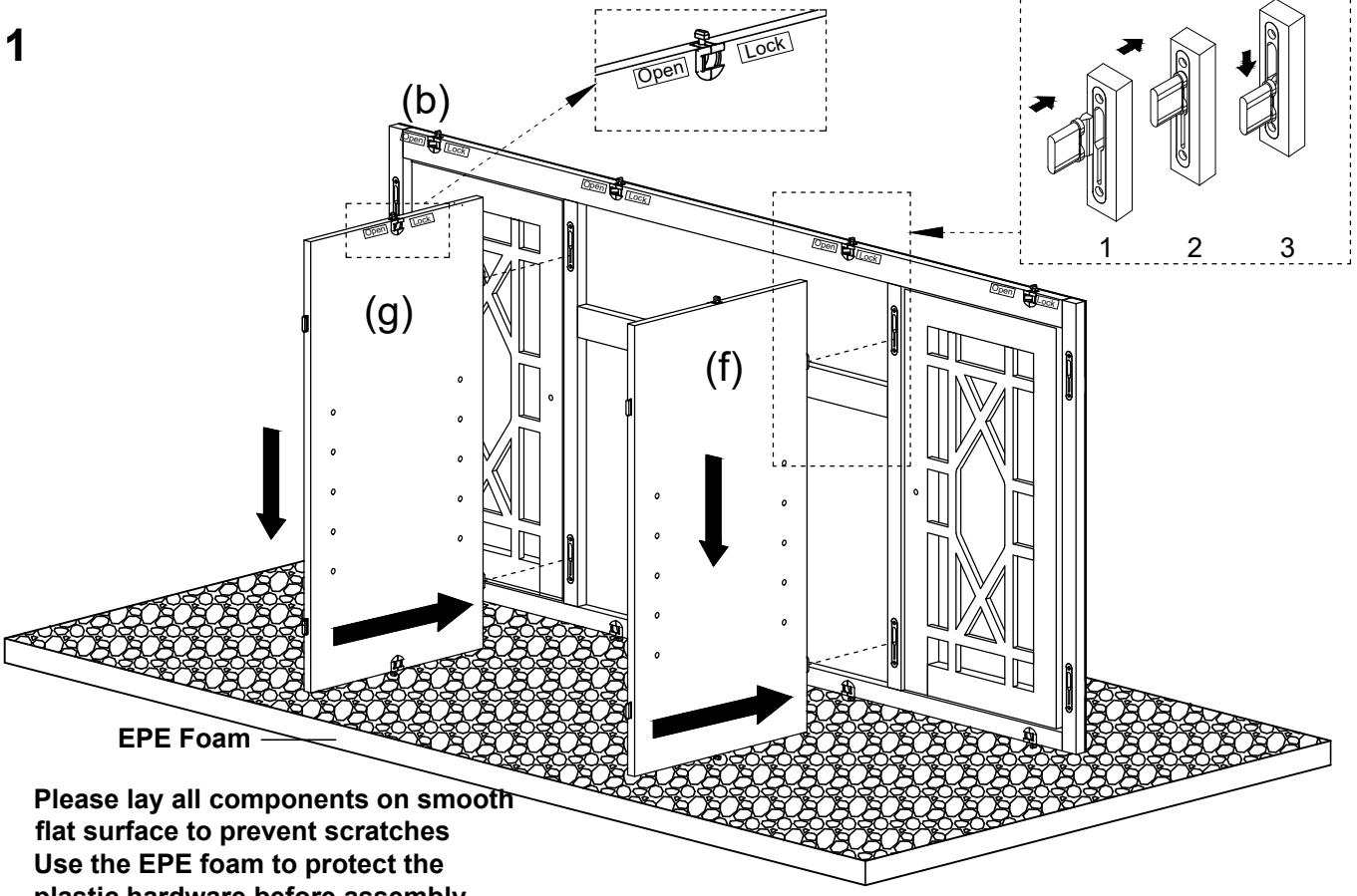
Hardware Pack

AA x 16	BB x 02	CC x 02	DD x 02	EE x 18
		Ø4x30 (mm)		Ø3x12 (mm)



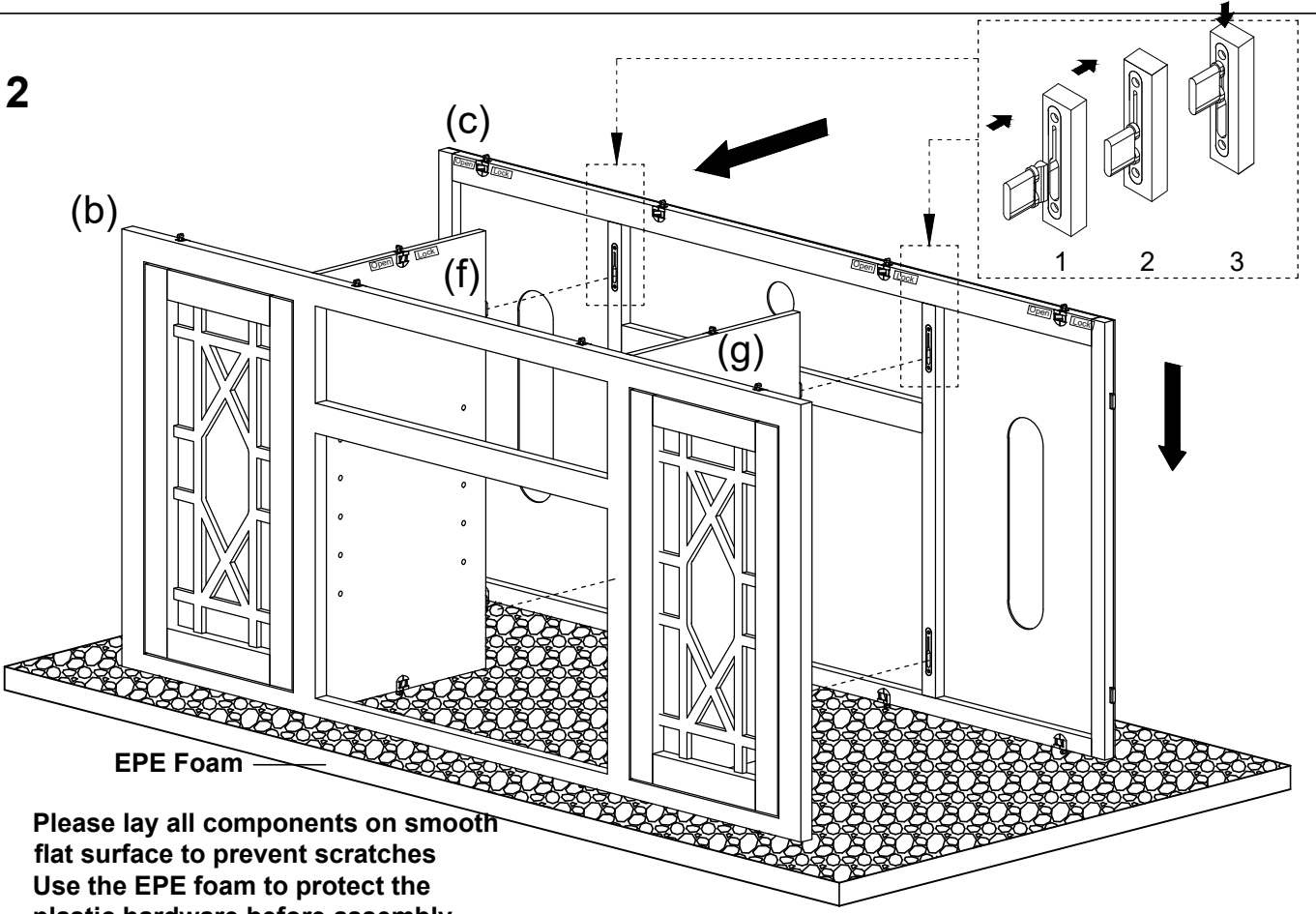
ANTI-TIP SET

1



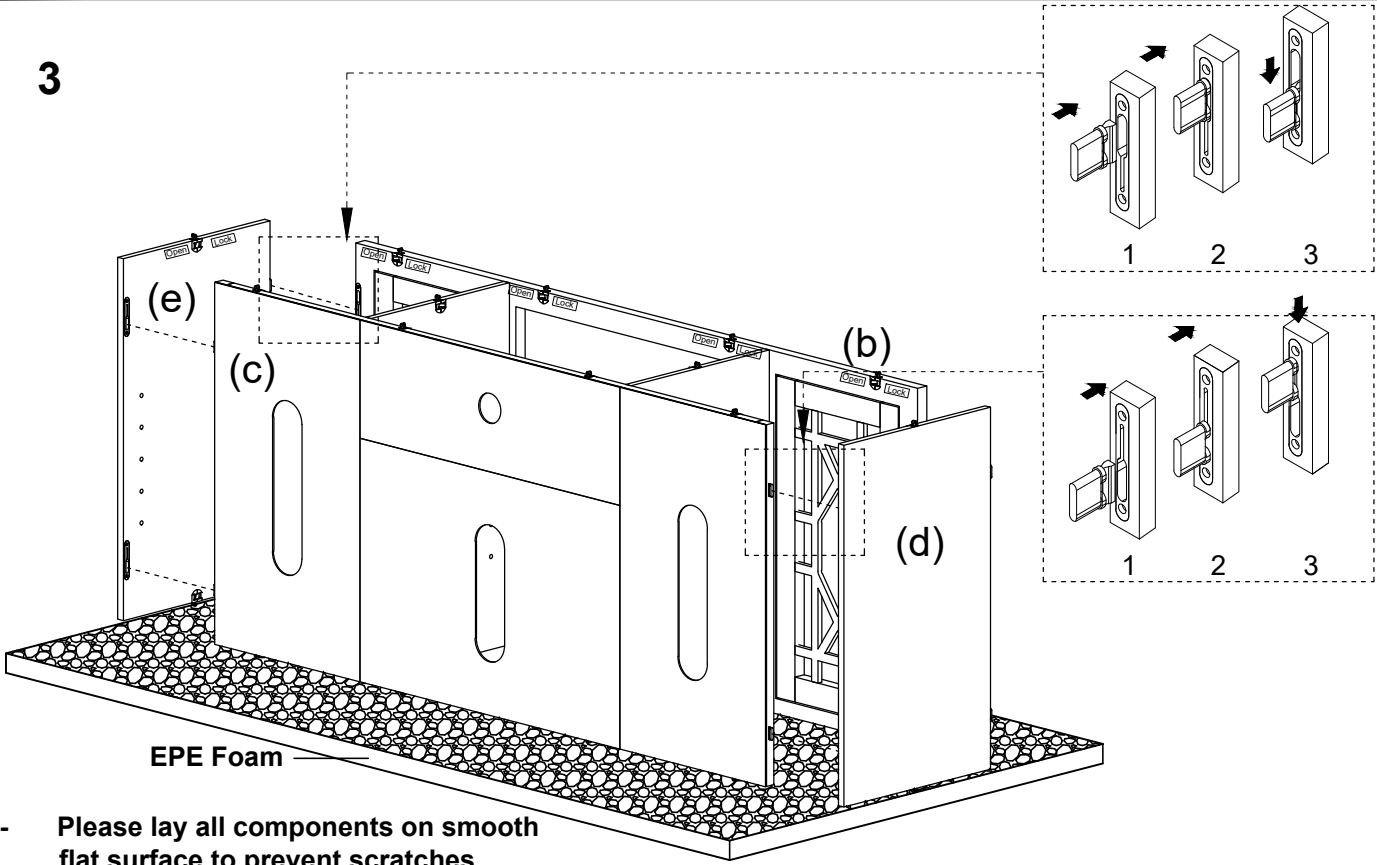
- Please lay all components on smooth flat surface to prevent scratches
- Use the EPE foam to protect the plastic hardware before assembly

2



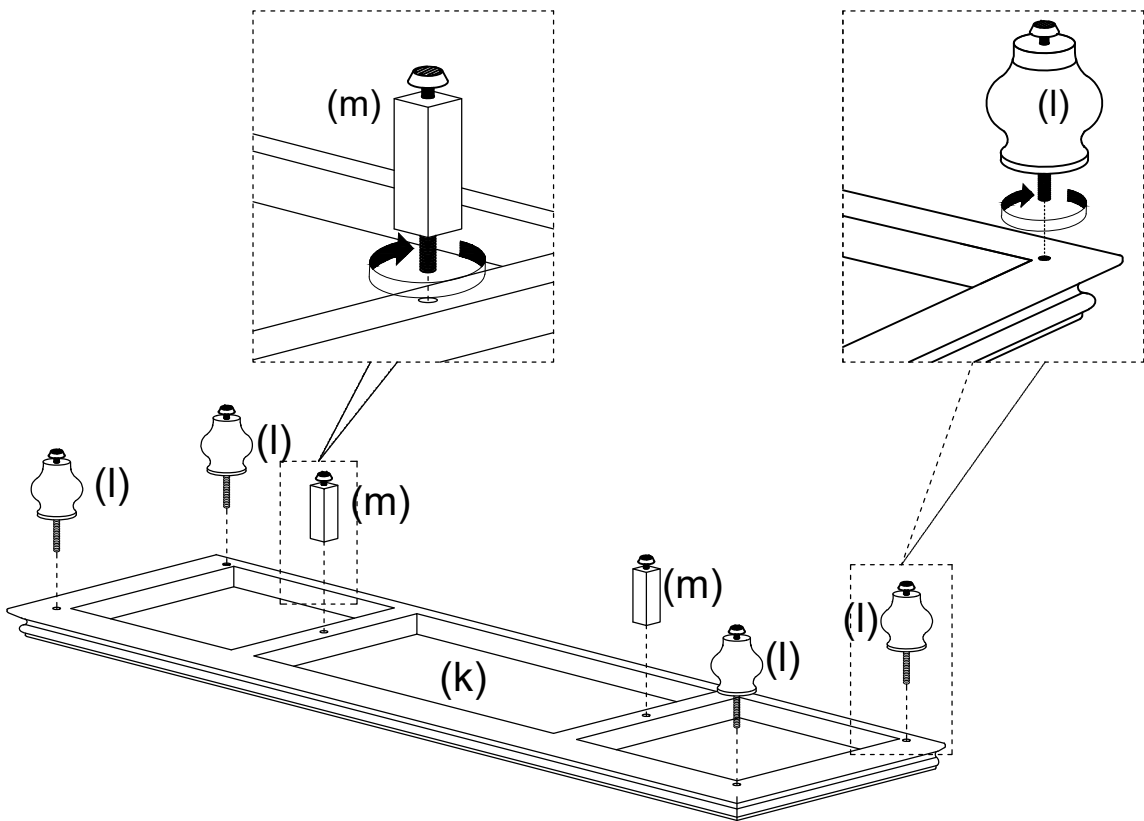
- Please lay all components on smooth flat surface to prevent scratches
- Use the EPE foam to protect the plastic hardware before assembly

3

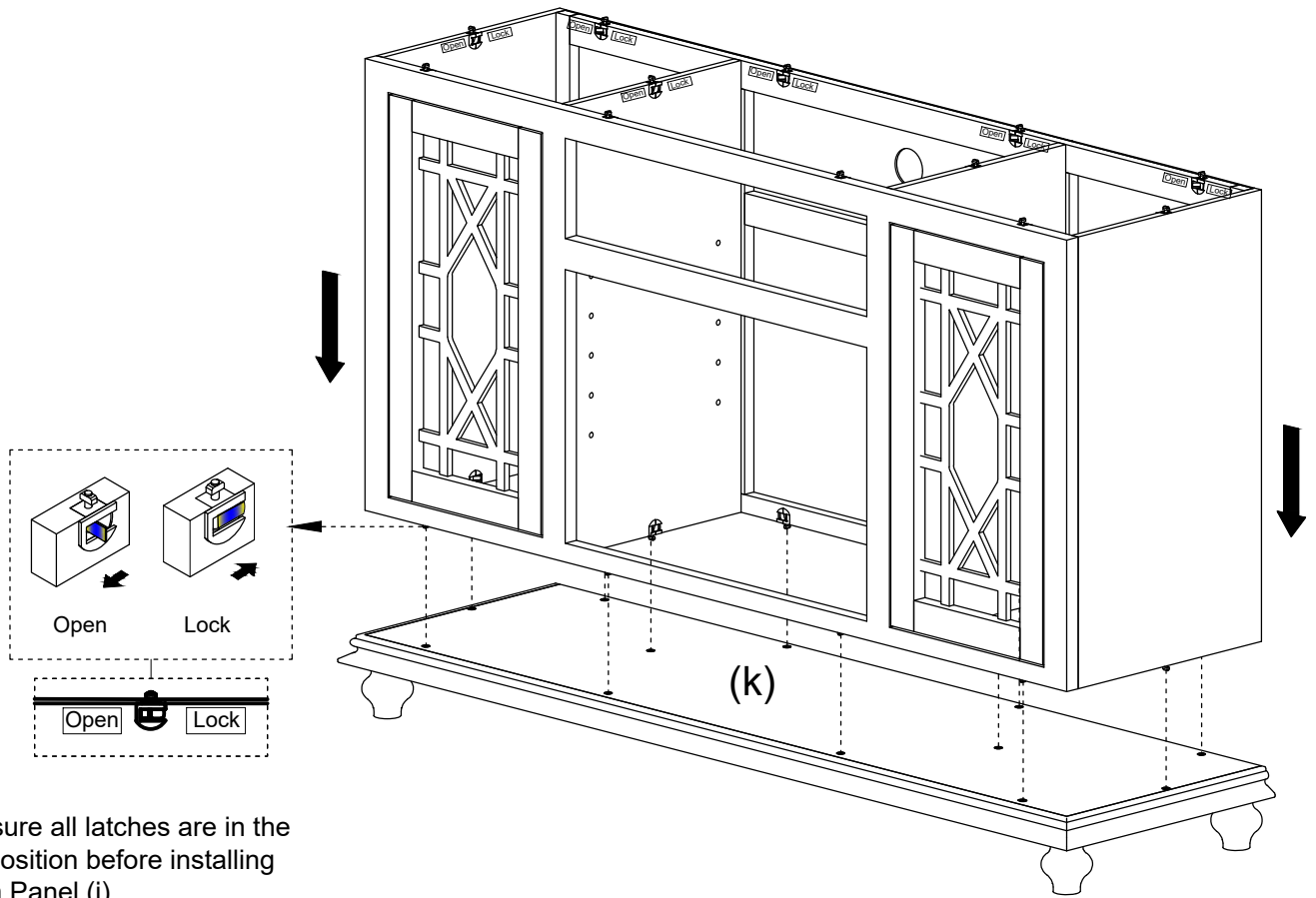


- Please lay all components on smooth flat surface to prevent scratches
- Use the EPE foam to protect the plastic hardware before assembly

4

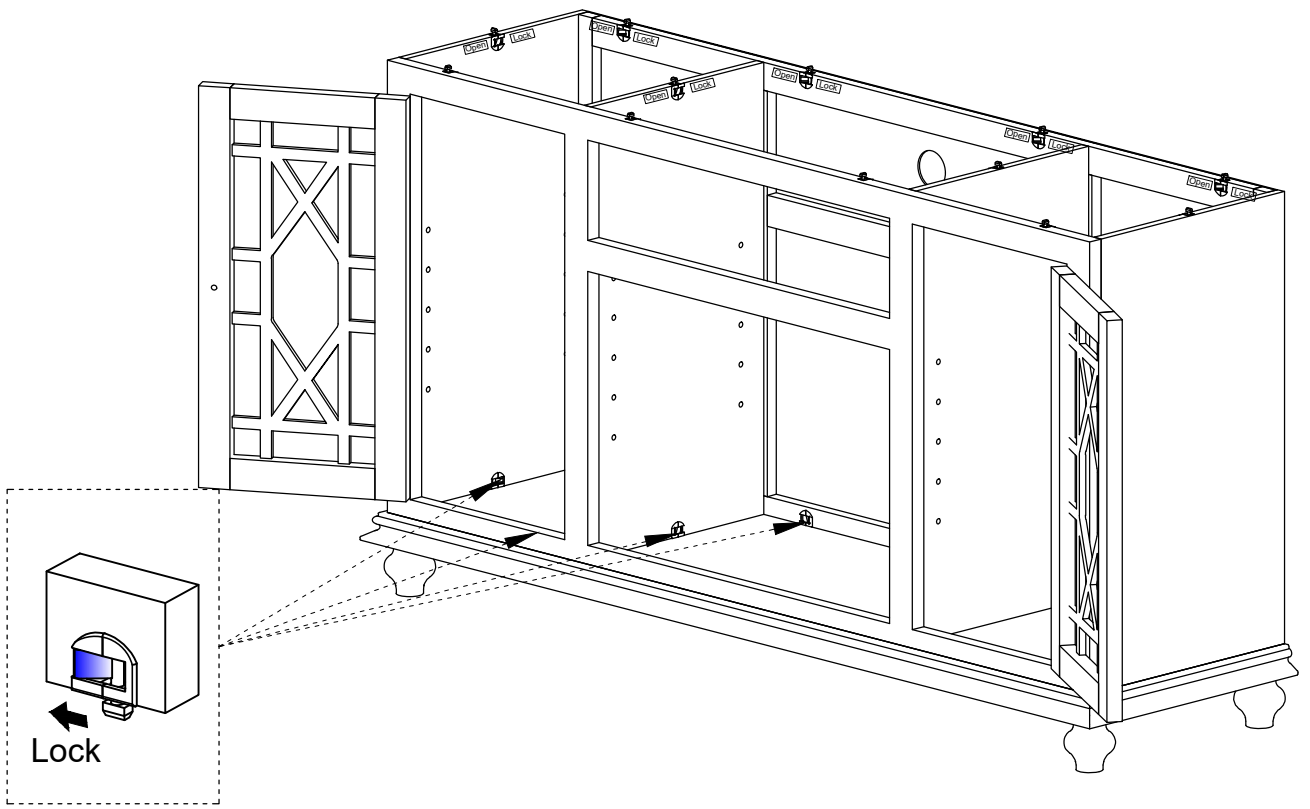


5



Make sure all latches are in the open position before installing Bottom Panel (j)

6



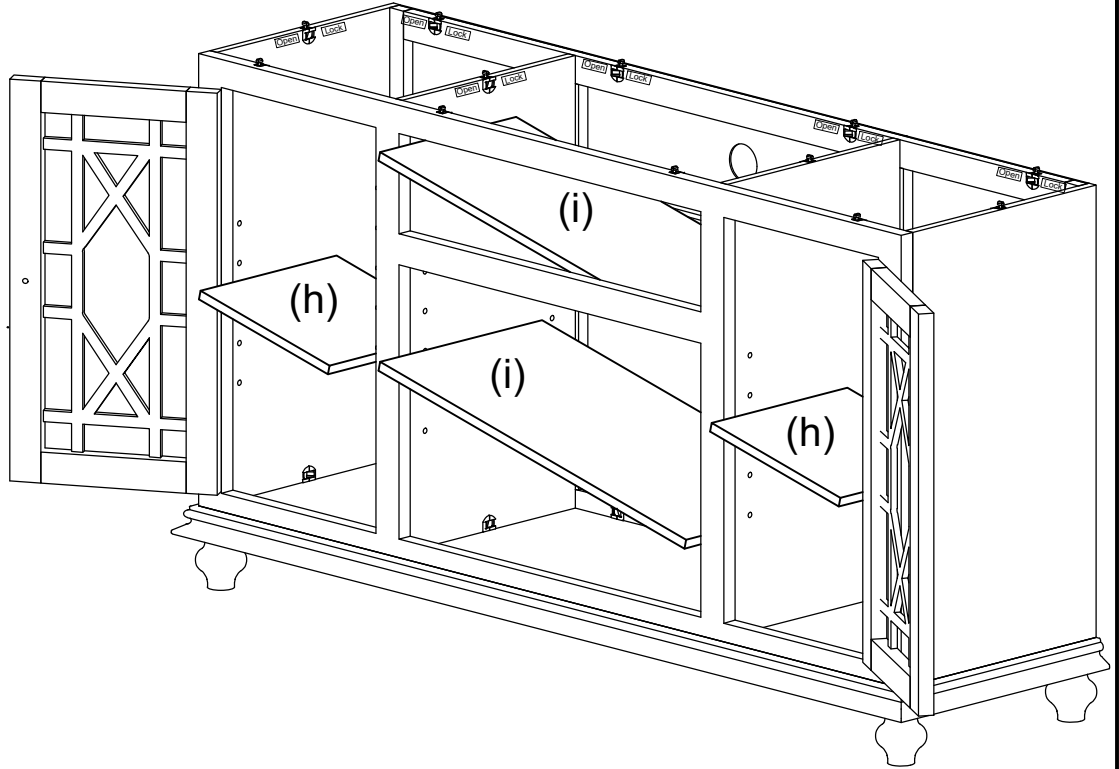
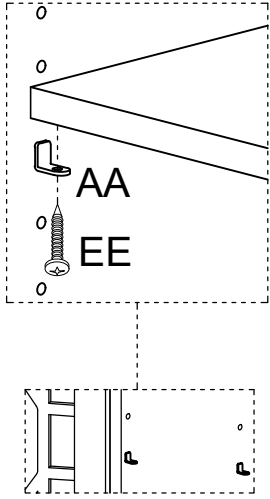
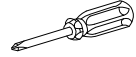
Make sure all latches are in the locked position

7

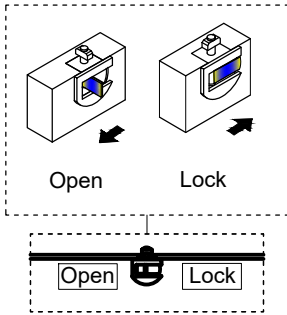
AA x 16



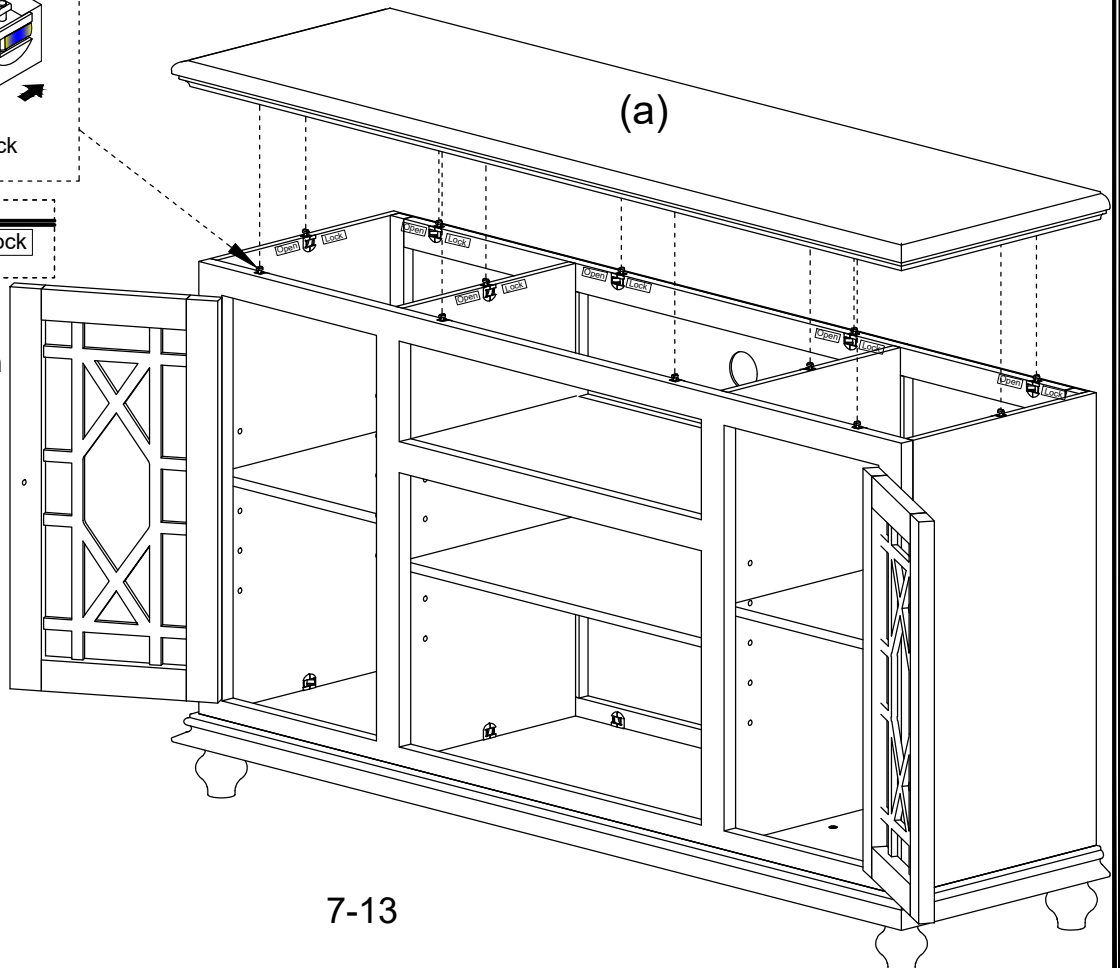
EE x 16



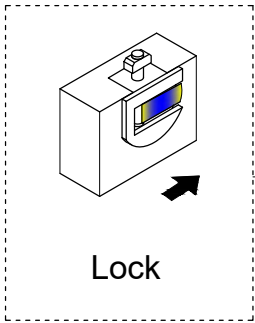
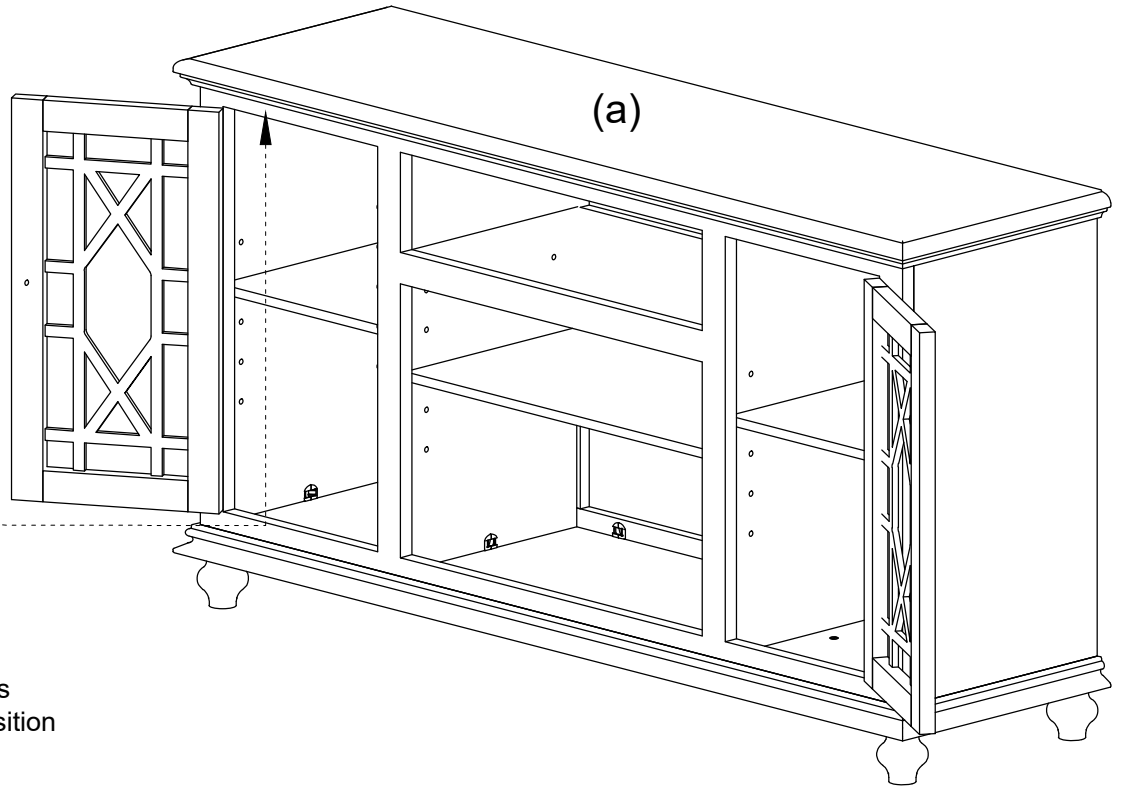
8



Make sure all latches are in the open position before installing Top Panel (a)

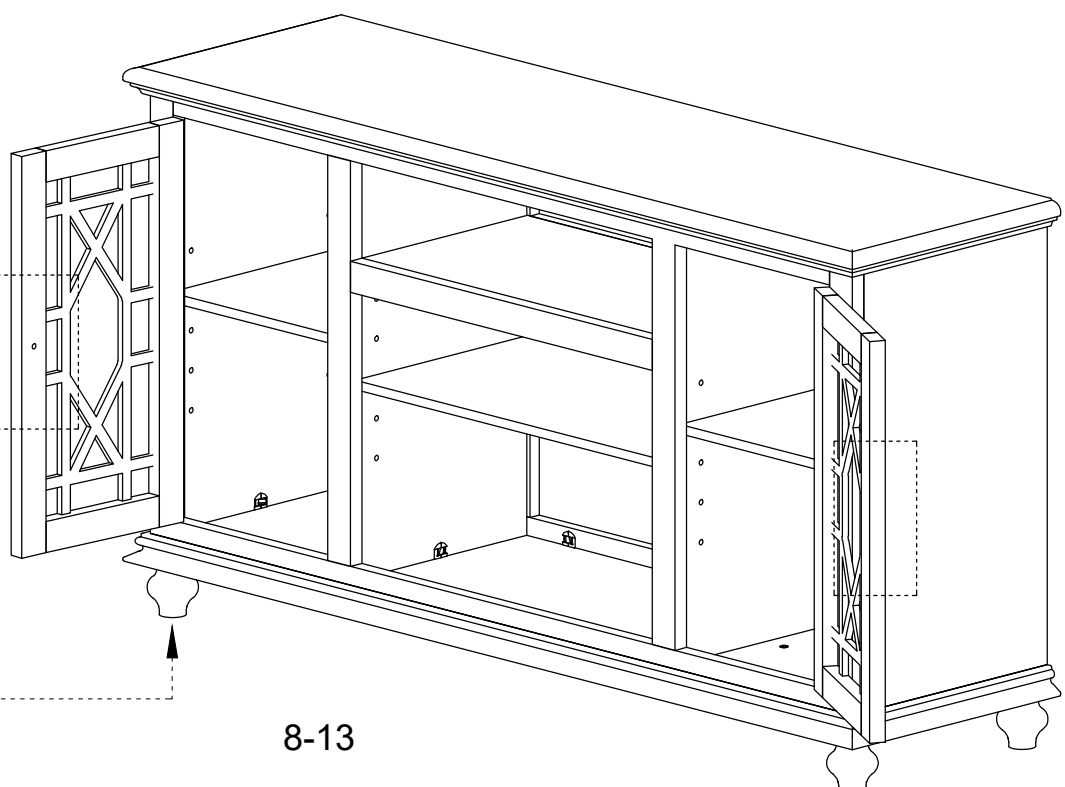
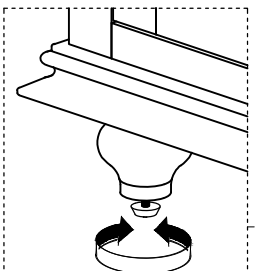
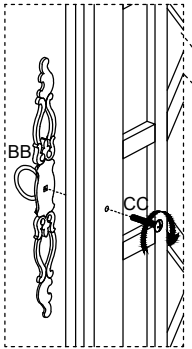
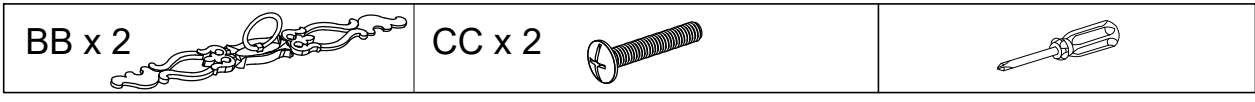


9

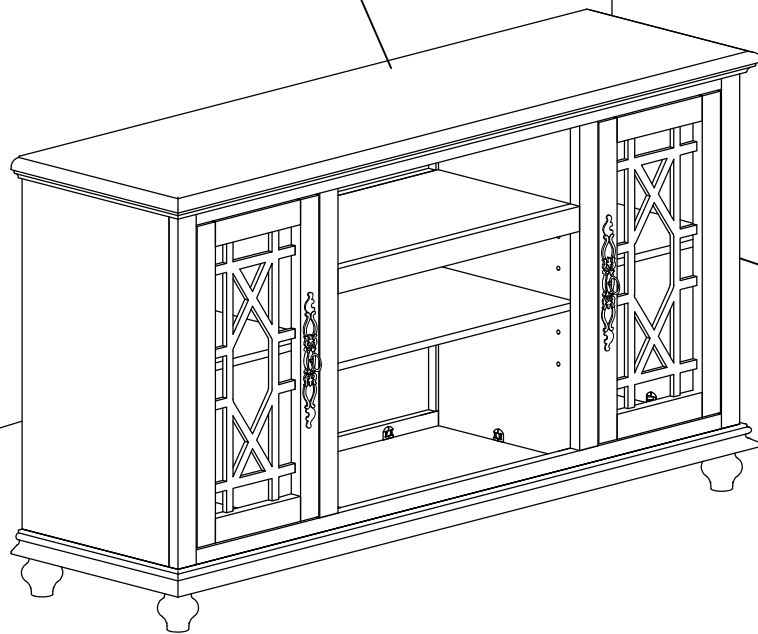
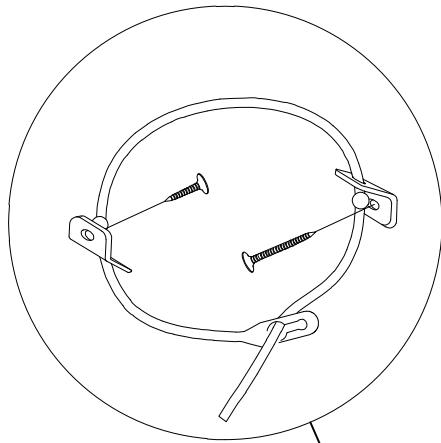
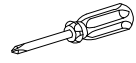


Make sure all latches are in the locked position

10

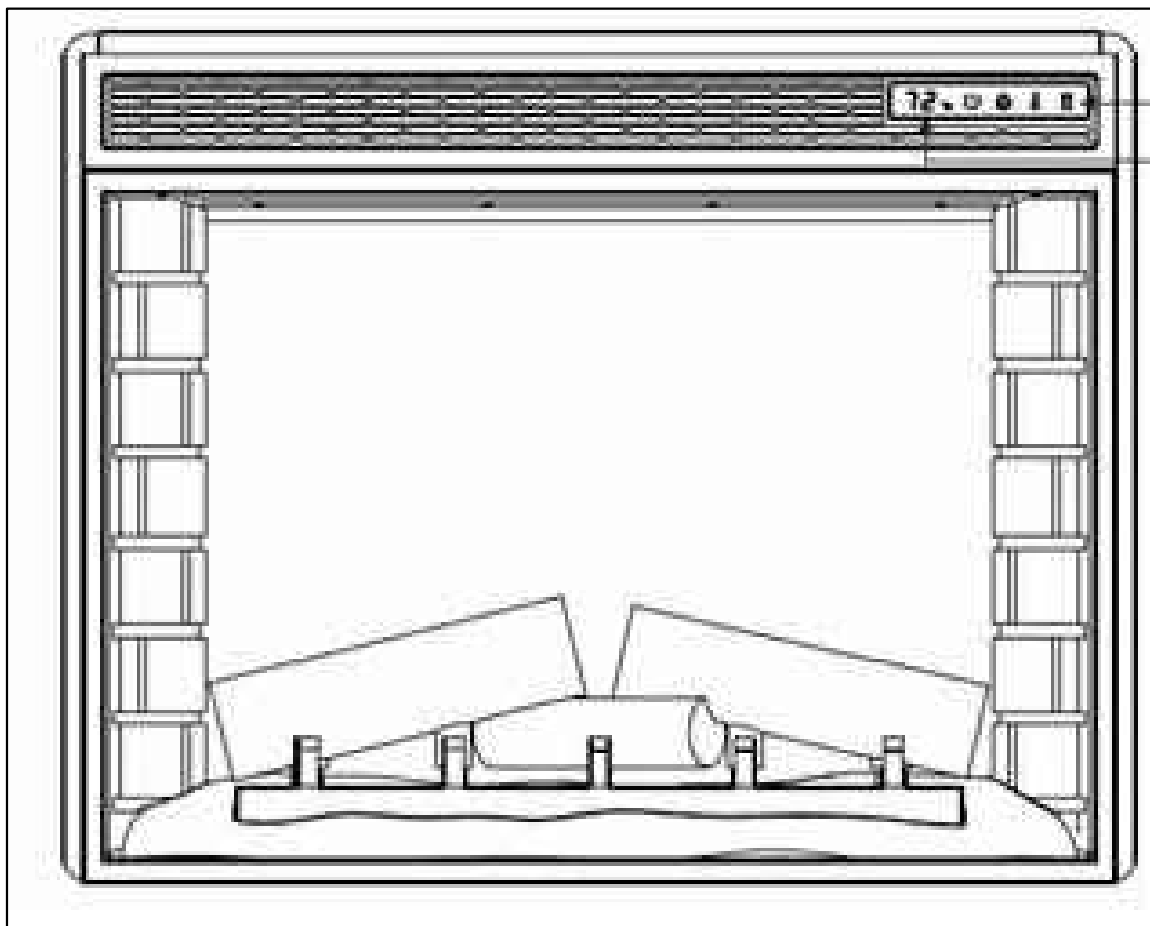


11





Optional Fireplace Insert Installation Guide

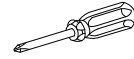


Notice:

Please read all "Electric fireplace insert" instructions prior to installing electric fireplace insert in your completed tv stand. Install the insert in your fireplace close to its final position.

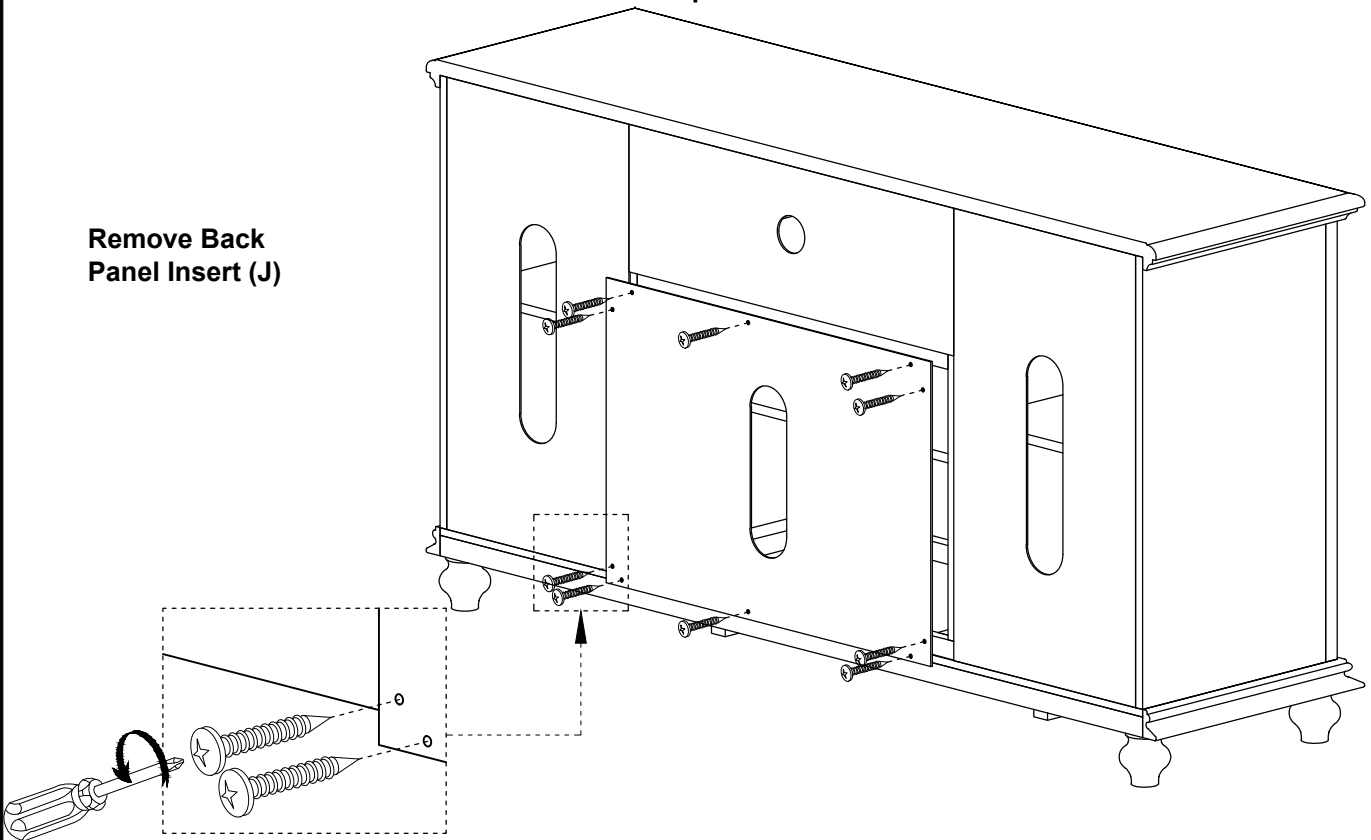
For all questions related to the electric fireplace including operation, troubleshooting, parts, or warranty, please refer to the "Electric fireplace insert" owner's guide

13

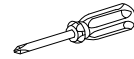


⚠ WARNING: Back Panel Insert (J) must remain unattached and removed from the case when the fireplace insert is installed

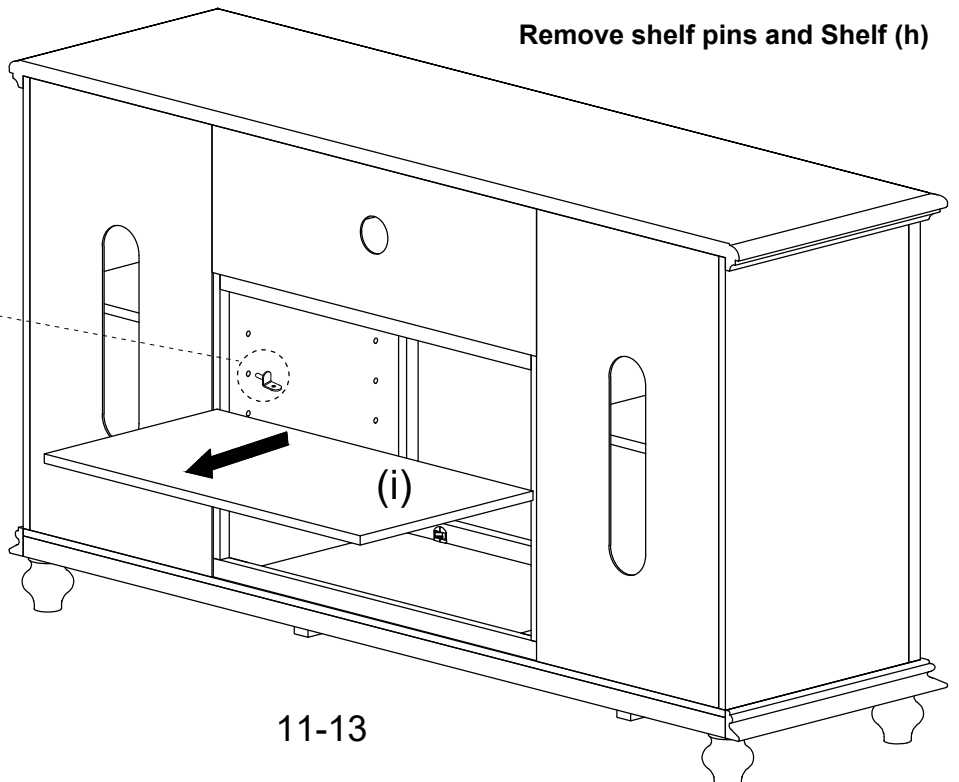
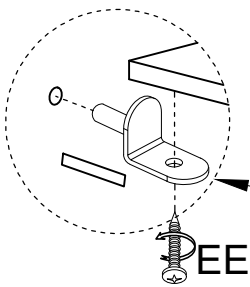
Remove Back Panel Insert (J)



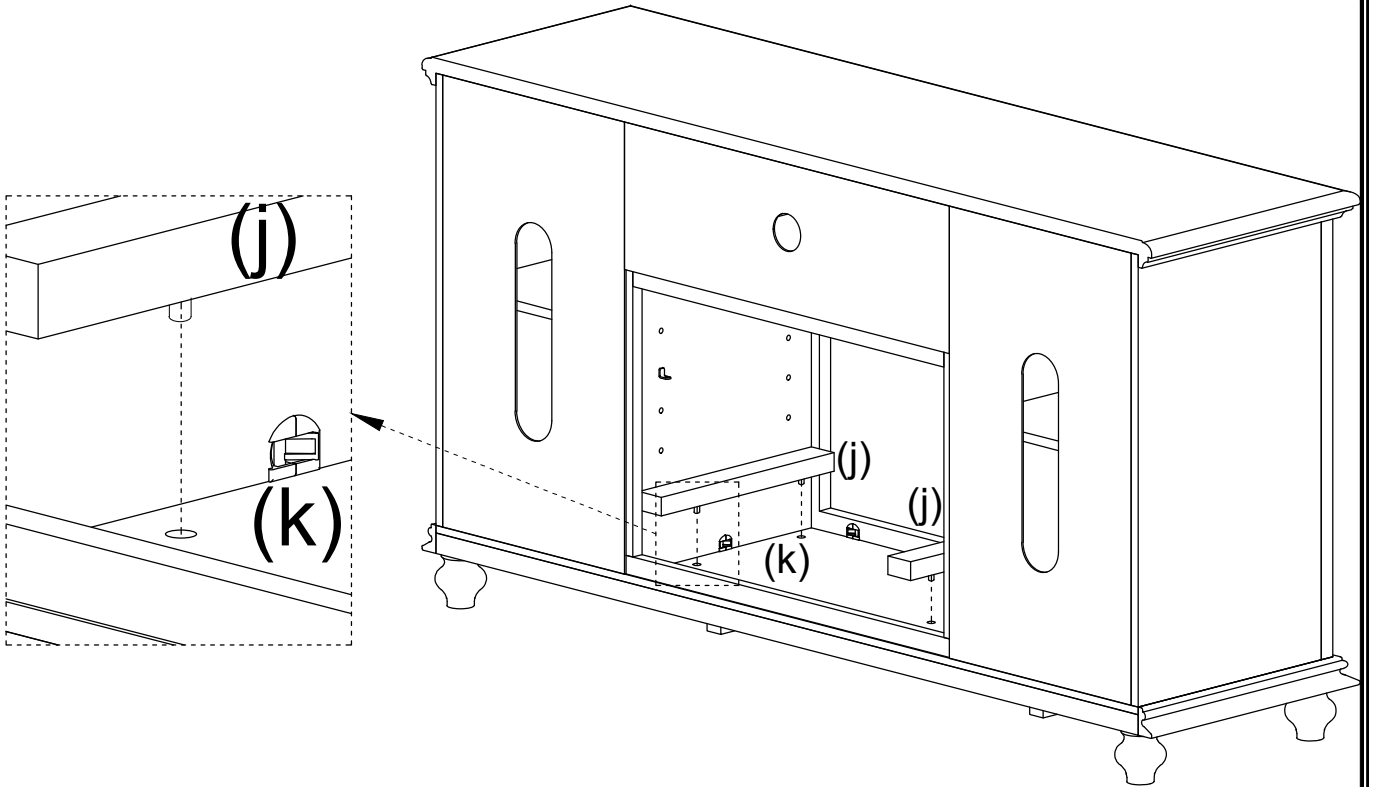
14



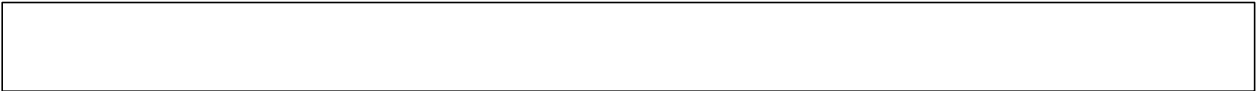
Remove shelf pins and Shelf (h)



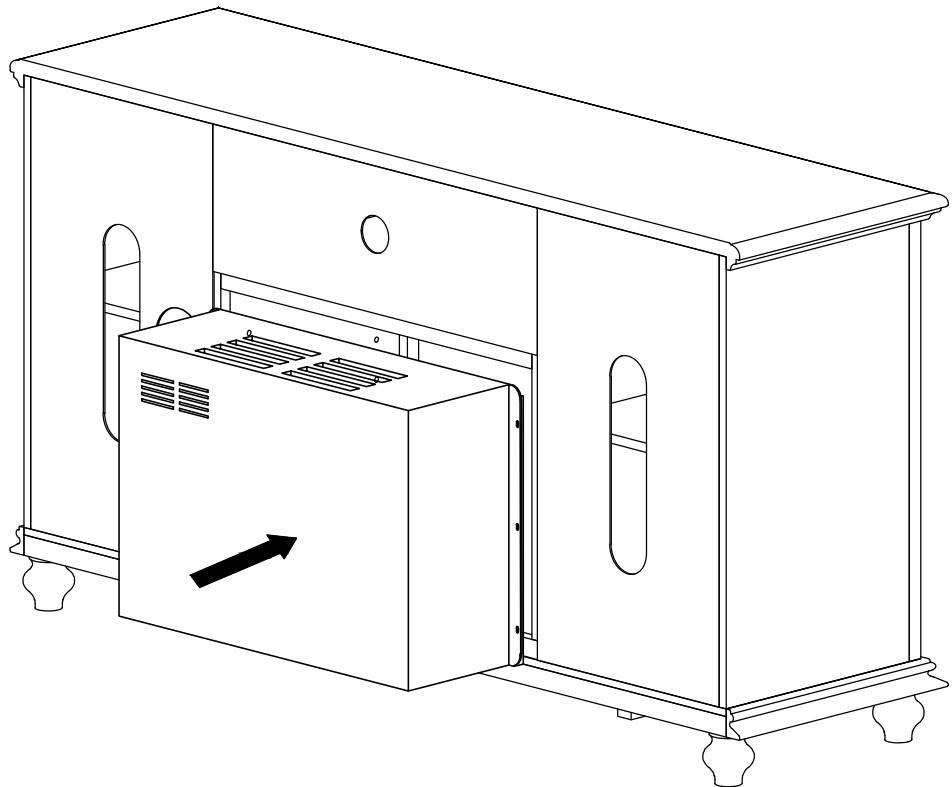
15



16

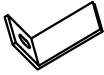


Always place fireplace insert from the back



12-13

17 DD x 2



EE x 2

