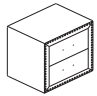






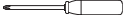
# ASSEMBLY INSTRUCTION

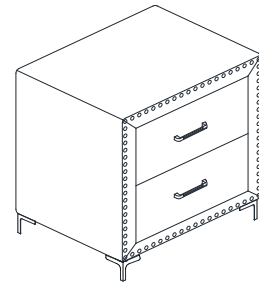
ITEM :

## BOX OF NIGHTSTAND NIGHTSTAND

ITEM	DRAWING	DESCRIPTION	QTY
A		NIGHTSTAND	1
B		LEG	4
C		TIPPING RESTRAINT (Affix nightstand to wall) *Located in the top Drawer of Night Stand	1

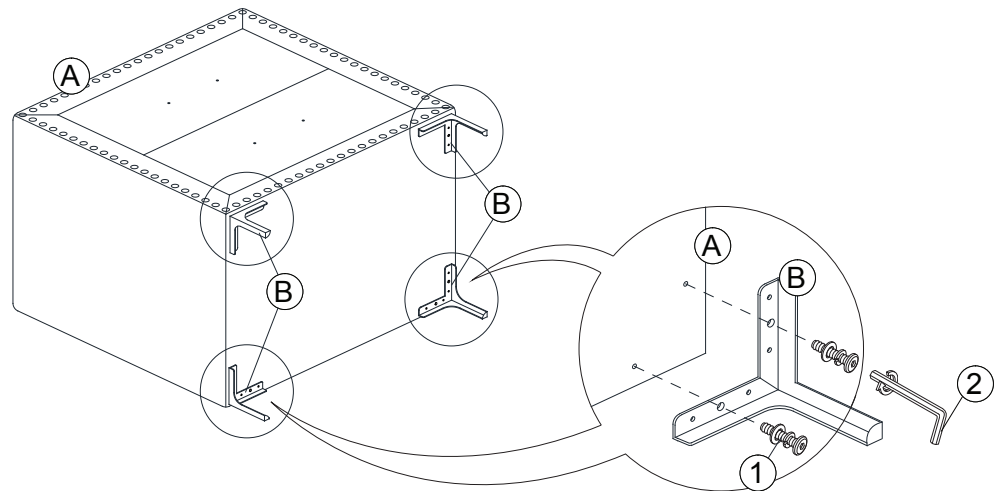
## BOX OF NIGHTSTAND HARDWARE LIST

ITEM	DRAWING	DESCRIPTION	QTY
1		JCBC SCREW M6x20mm	8
2		L-KEY M4x65mm	1
		SCREWDRIVER not included	

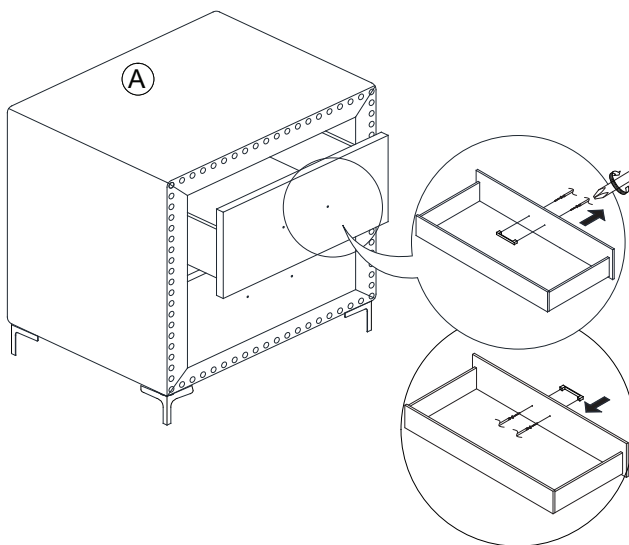


COMPLETED NIGHTSTAND ASSEMBLY

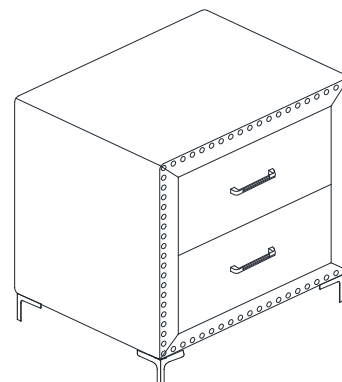
### STEP 1



### STEP 2



### STEP 3



THE HARDWARE IS LOCATED IN THE PACKING ITEMS  
THE ANTI TIPPING HARDWARE IS LOCATED IN THE TOP DRAWER OF NIGHT STAND.

NOTE : MUST TIGHTEN SCREWS PERIODICALLY. WITH USE SCREWS MAY BECOME LOOSE.  
CHECK TIGHTNESS OF ALL SCREWS EVERY 6-8 WEEKS.

**MADE IN MALAYSIA**