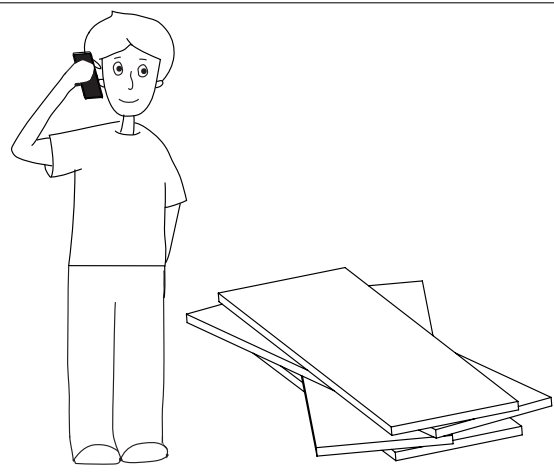
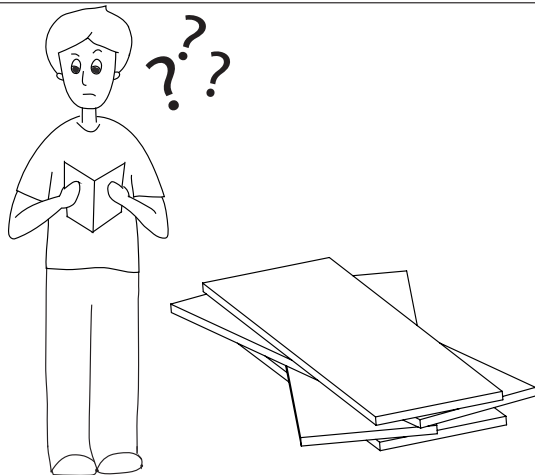
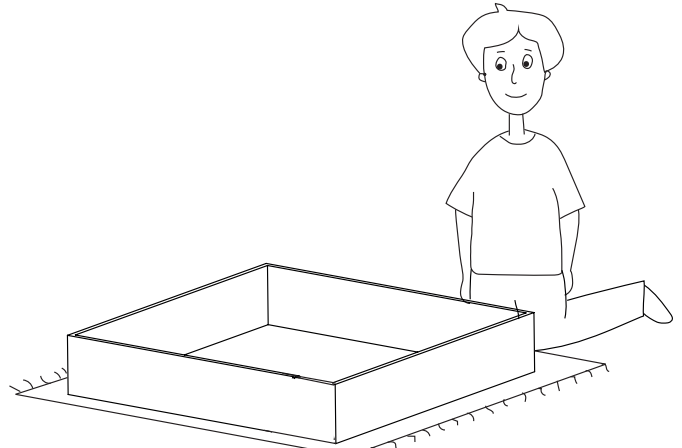
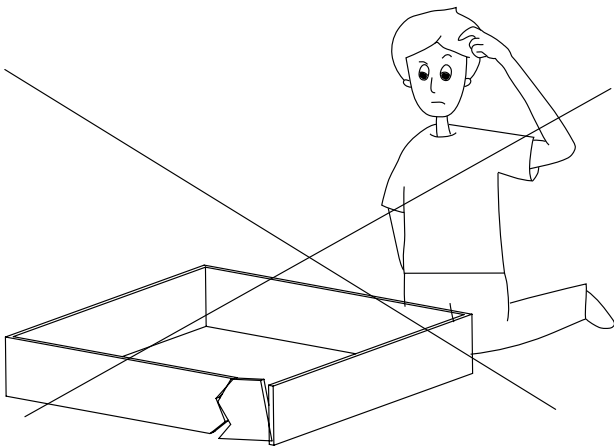
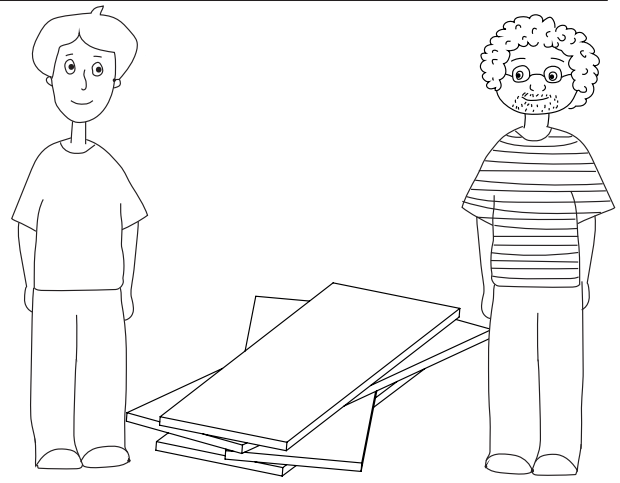
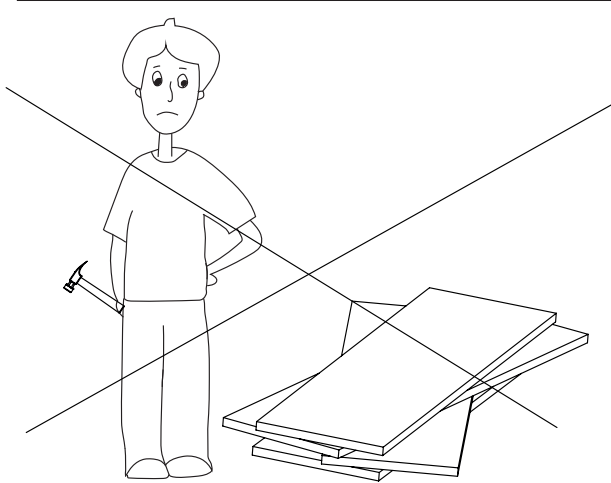
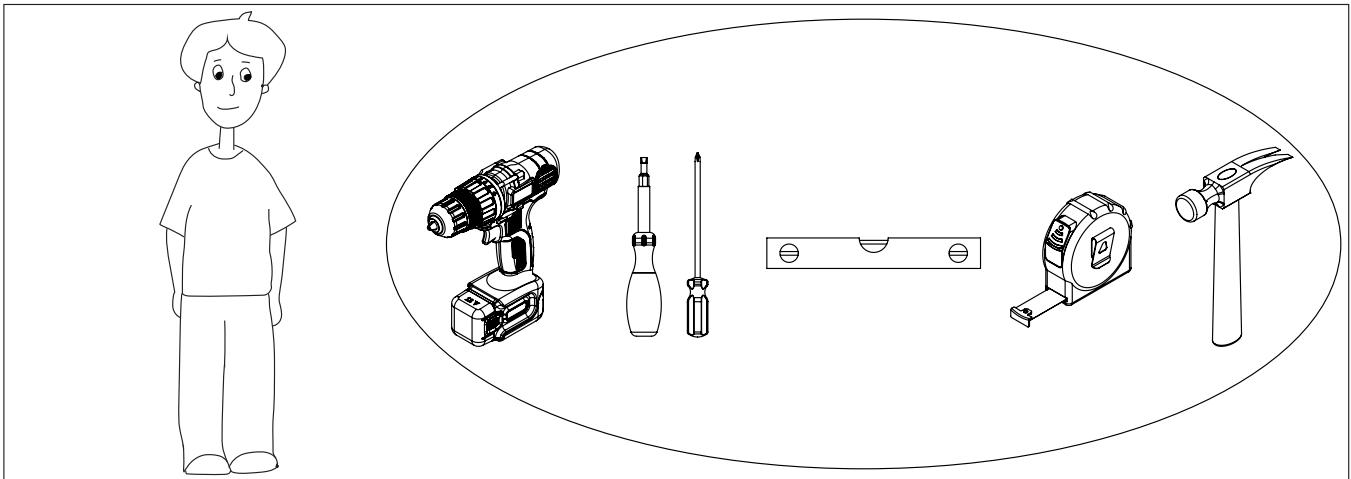


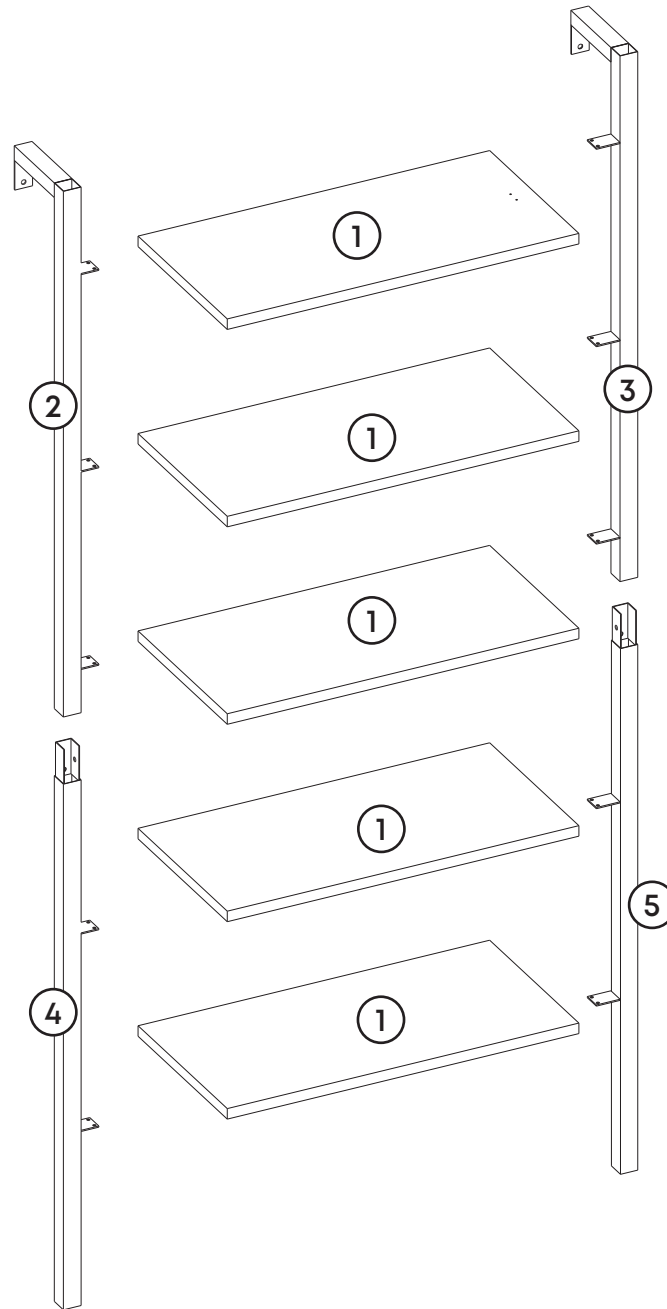
Assembly guide

Prepare To Start

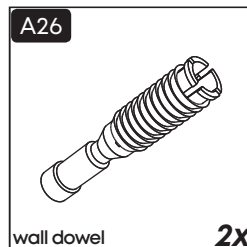
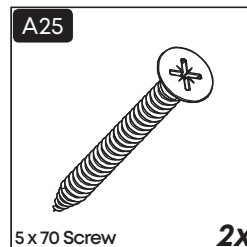
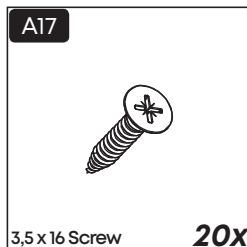
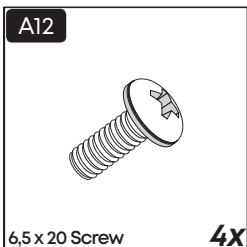


Components

Part1	5x
Part2	1x
Part3	1x
Part4	1x
Part5	1x
Total	9x

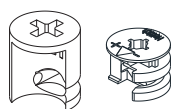


Accessory Parts

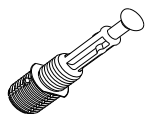


How to instal Components

*Before starting, please check the below figures



HEAD

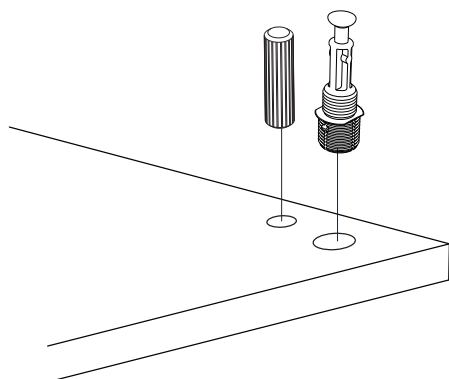


SCREW

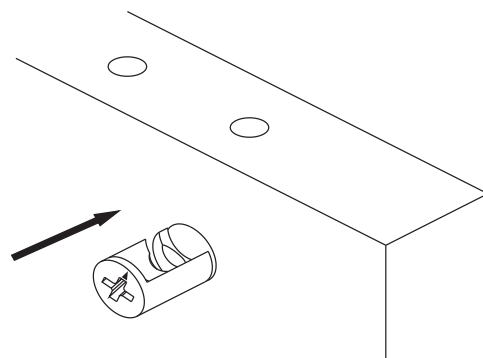


DOWEL

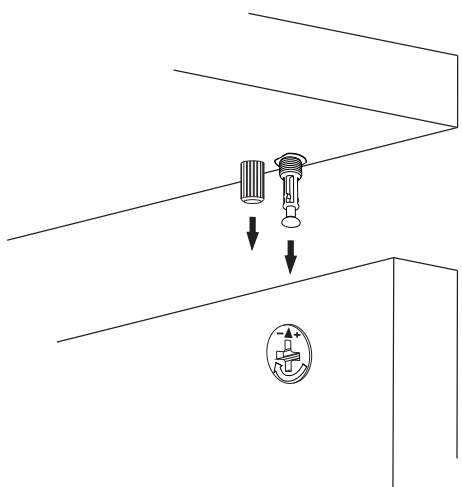
If the dowel is not required during the installation phase, it is not included in the package.



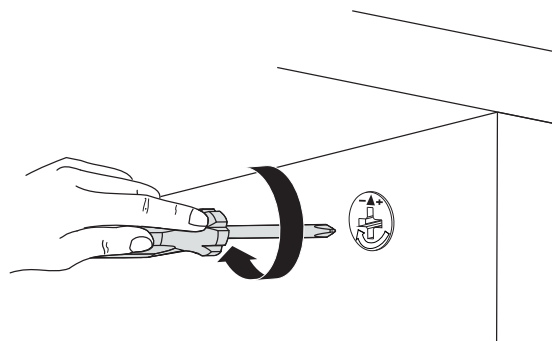
*Please notice that there is an small arrow on A03 (head). This arrow should show the direction of upper hole.



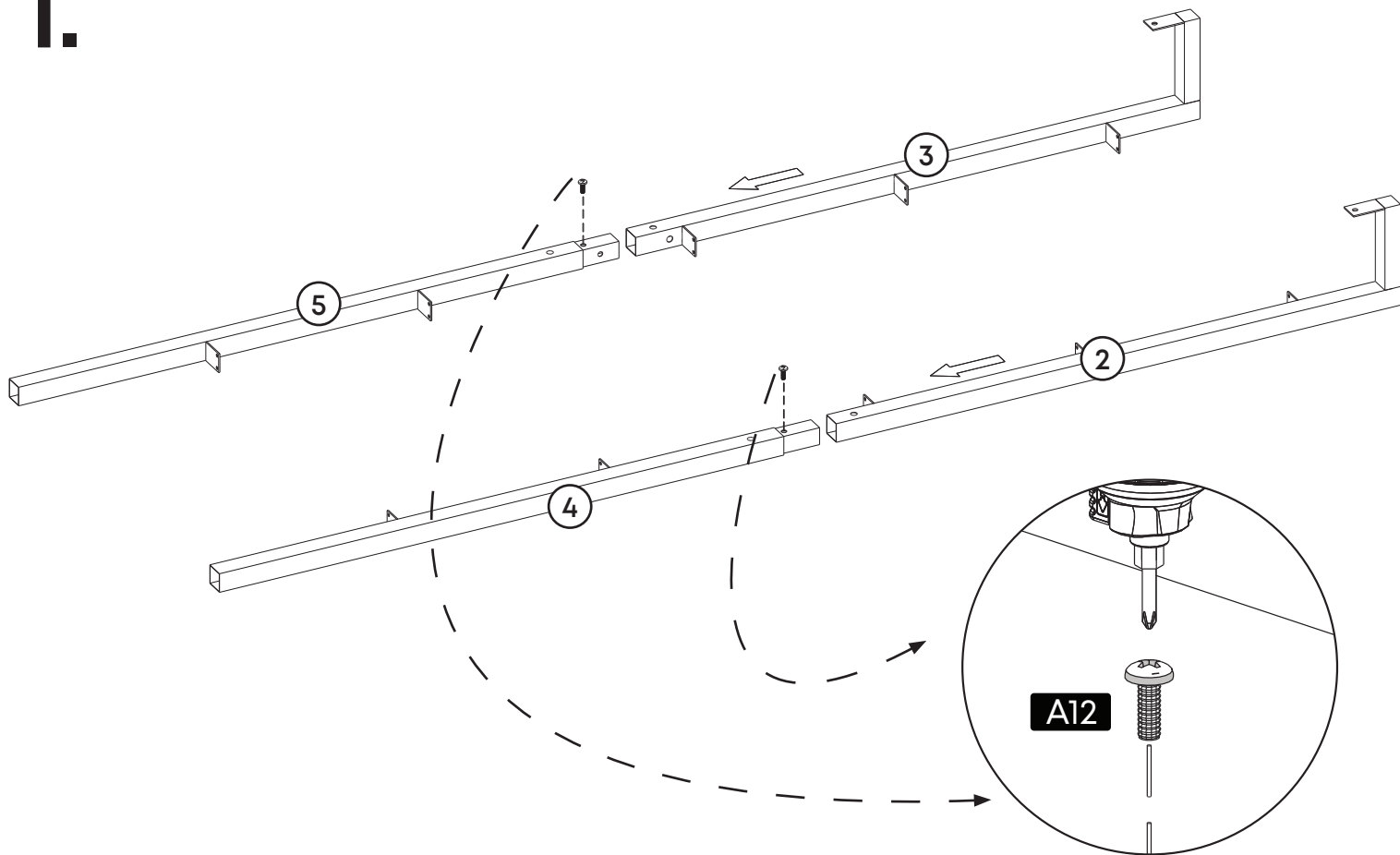
*After attaching two pieces please turn the A03 (head) clockwise direction with the help of a screwdriver.



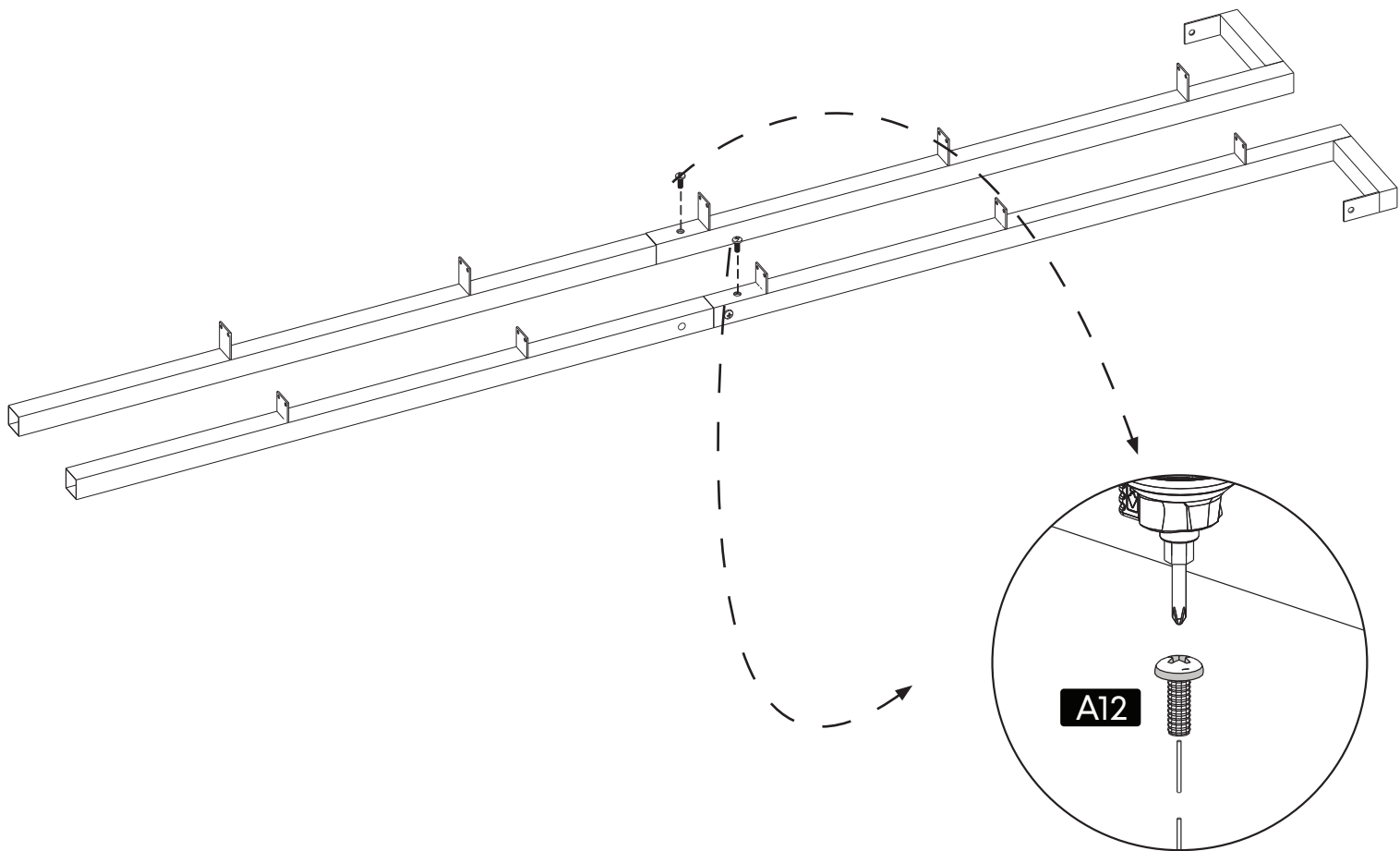
*Please do not over screw the minifix head since it may be broken if too much power is imposed. Just make sure that it is screwed to the direction “+” do not go any further.



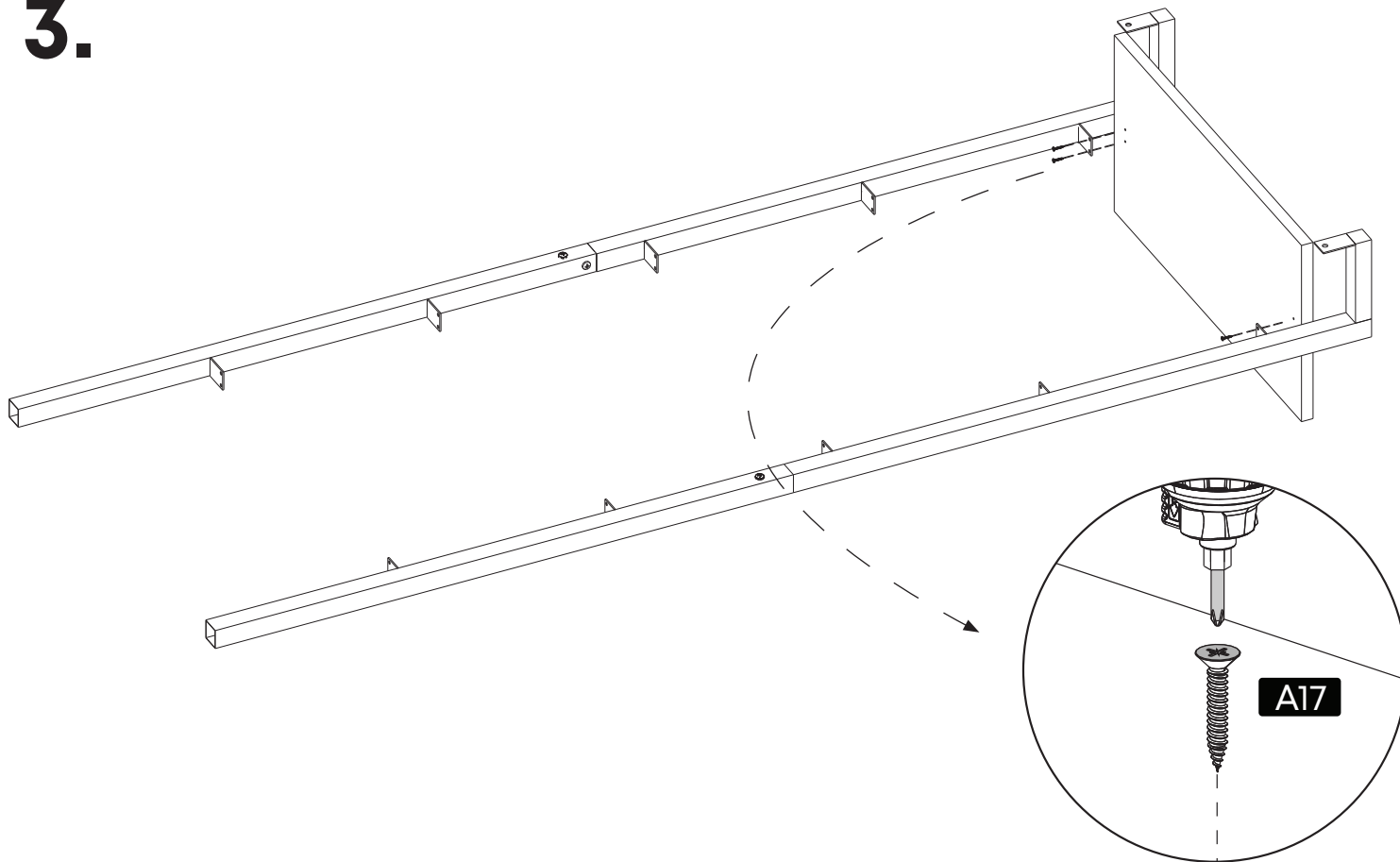
1.



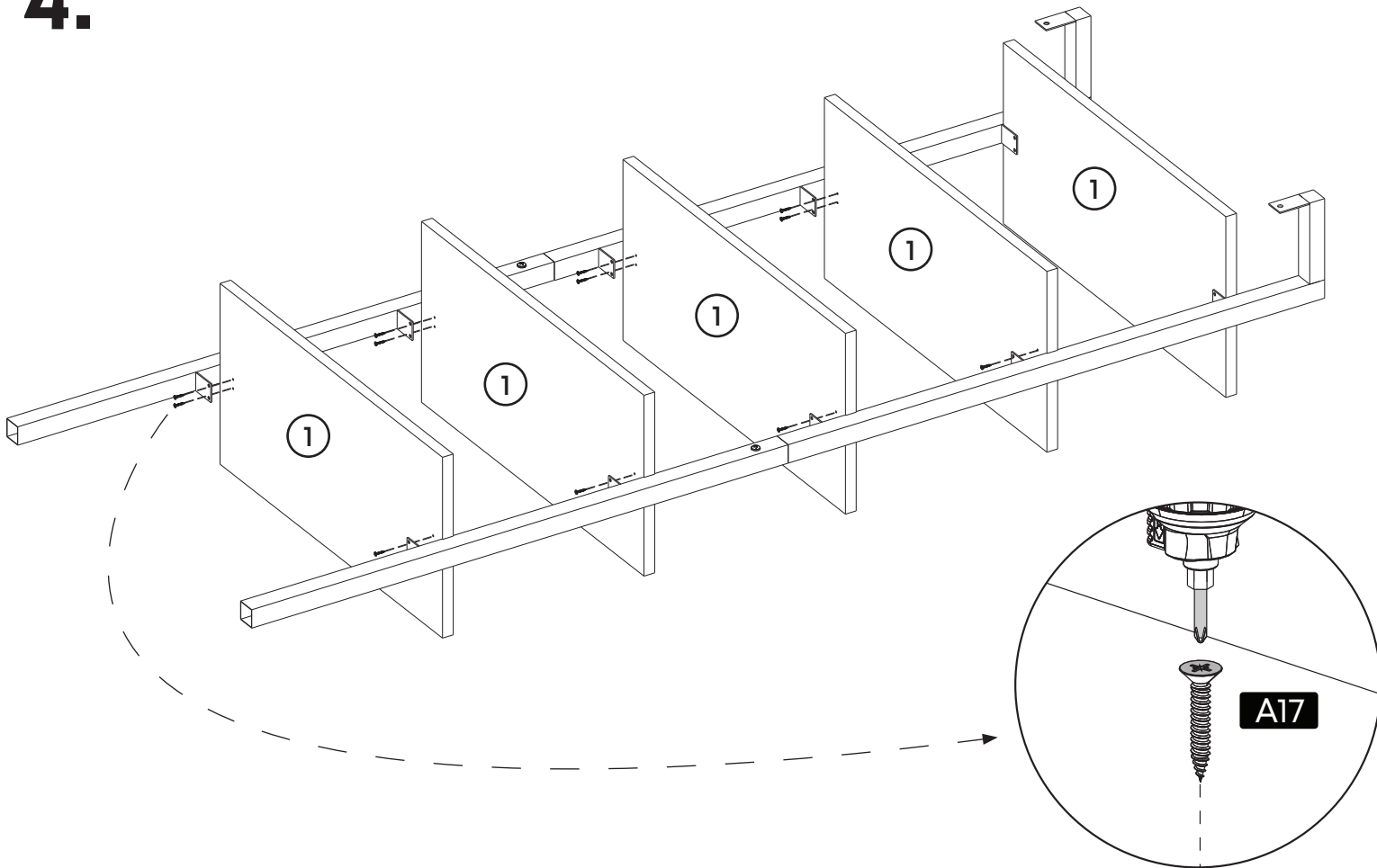
2.



3.

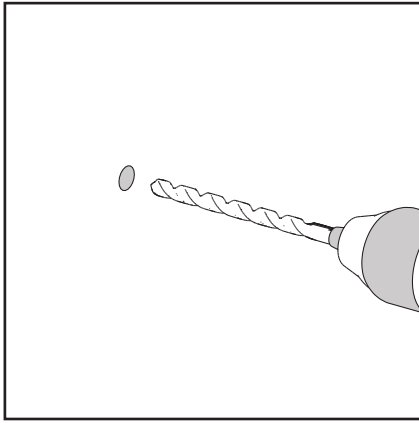


4.

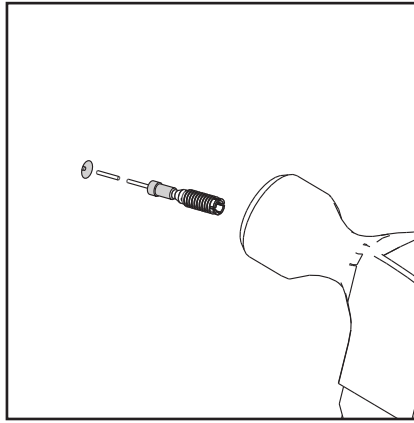


5.

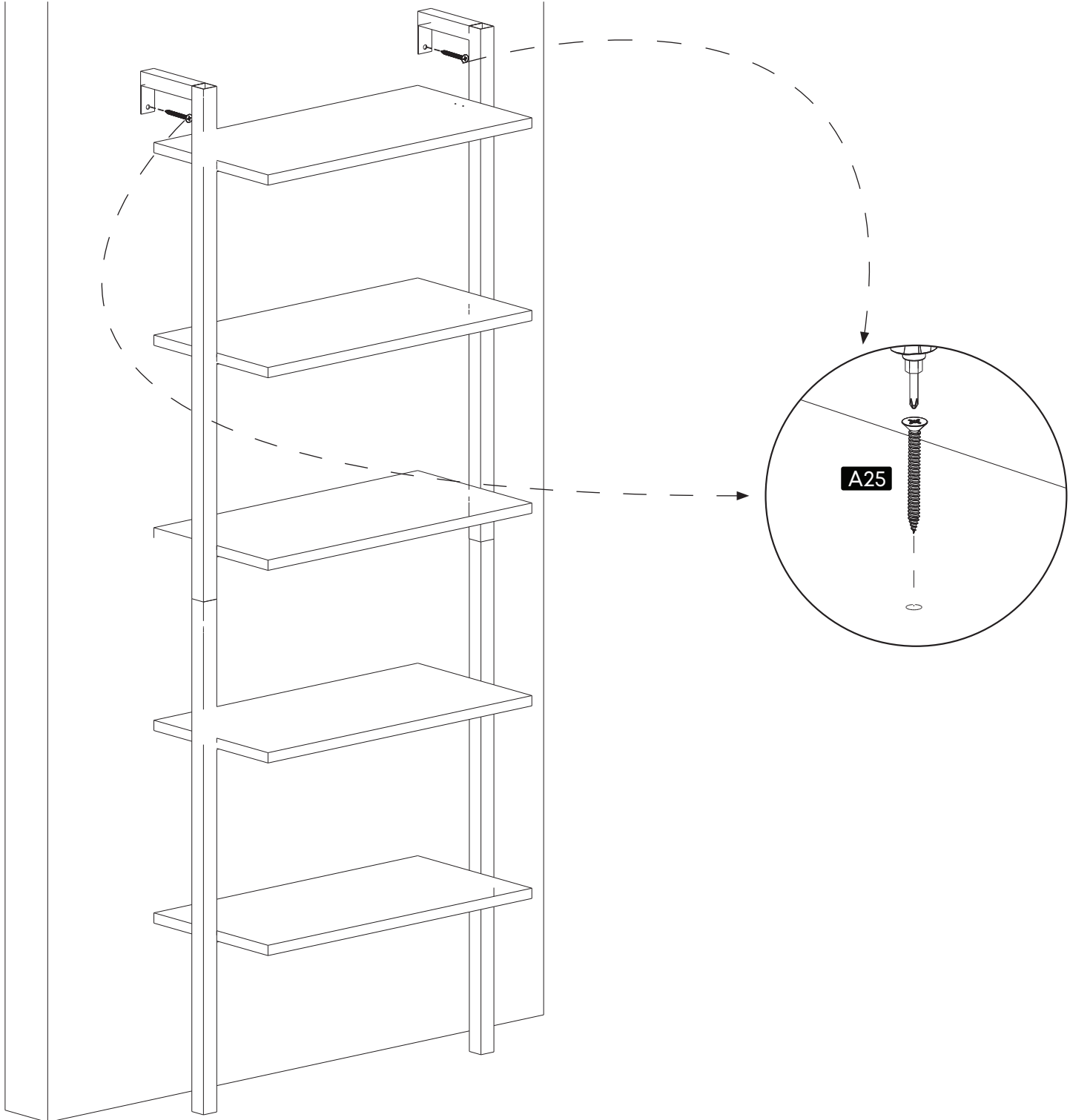
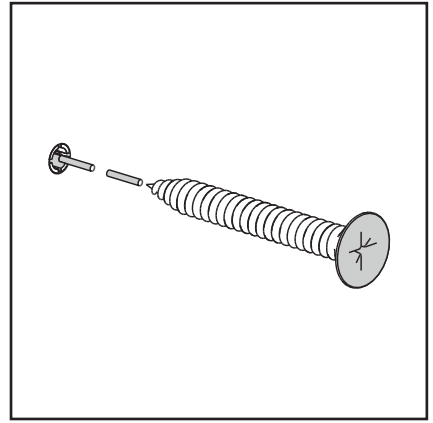
Drill The Wall



Install The Dowel



Install The Screw



6.

