

ASSEMBLY INSTRUCTIONS

PLEASE KEEP THIS FOR FUTURE REFERENCE

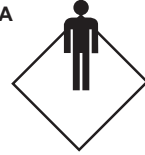
0.5 hr

APPROXIMATE ASSEMBLY TIME

1 PERSON ASSEMBLY

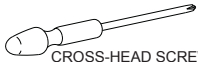


FLOOR AREA
2.0M X2.0M



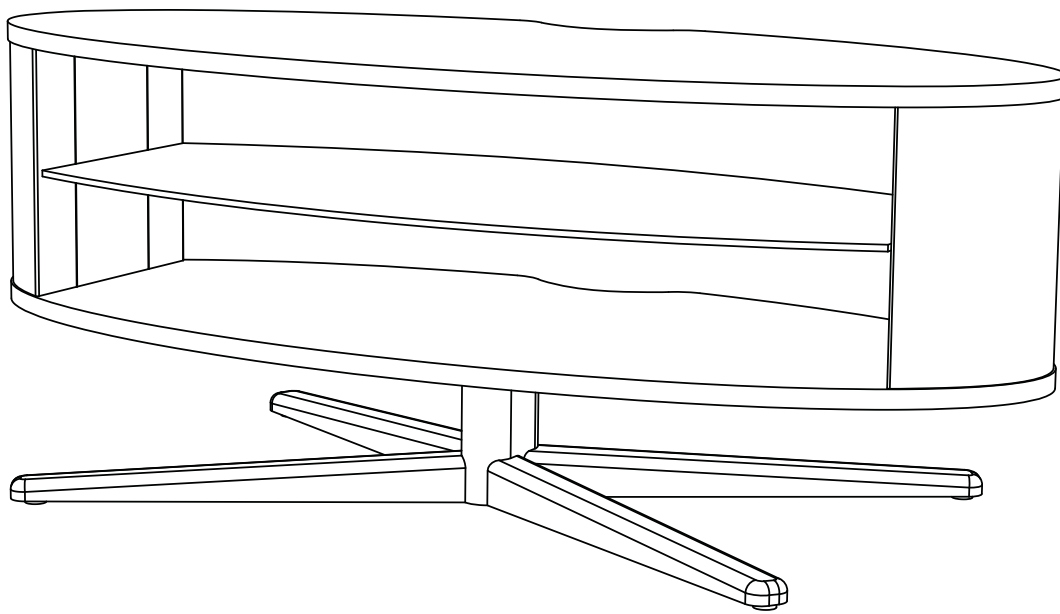
REQUIRED ASSEMBLY SPACE

TOOLS REQUIRED

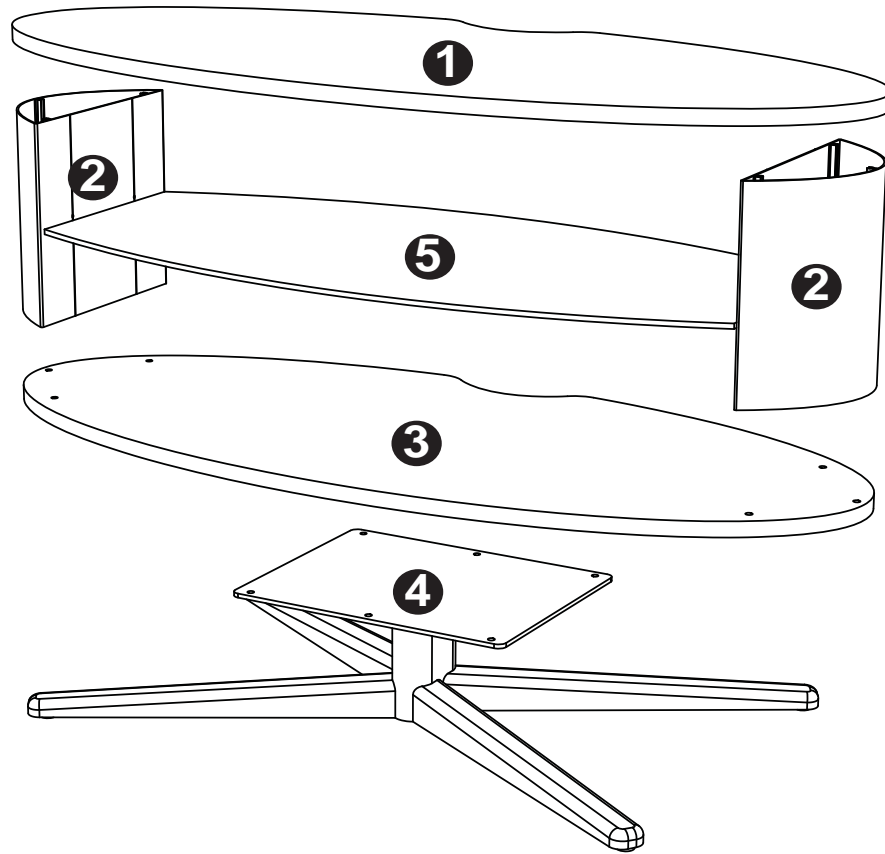


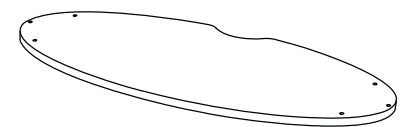

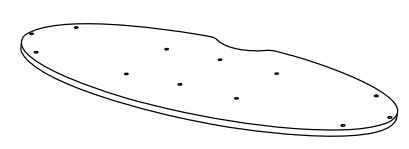
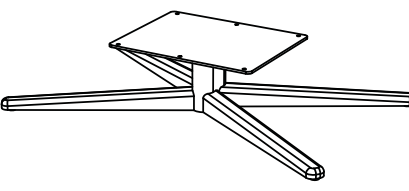

CROSS-HEAD SCREWDRIVER

ASSEMBLED DIMENSIONS

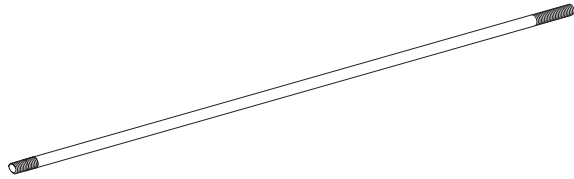


PARTS LIST

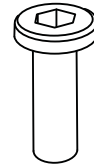


no.		PART LIST	QTY
(1)		TOP PANEL	1
(2)		SIDE PROFILES	2
(3)		BASE PANEL	1
(4)		PEDESTAL FOOT	1
(5)		GLASS SHELF	1

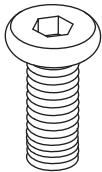
HARDWARE LIST



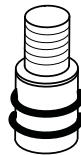
6x
M4 x 260mm
A
THREADED ROD



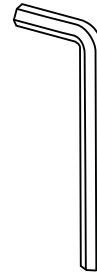
6x
M4 x 20mm
B
M4 SLEEVENUT



6x
M6 x 20mm
C
M6 BOLT



4x
M5 x 10mm
D
SHELF PEG



1x
M4 x 65mm
E
4mm ALLEN KEY

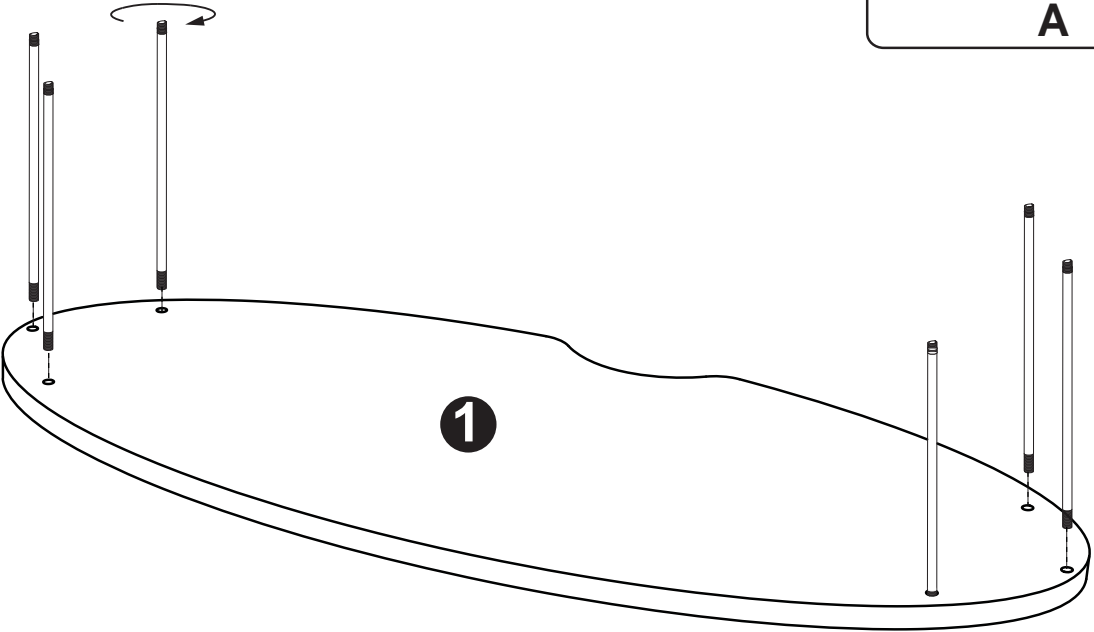
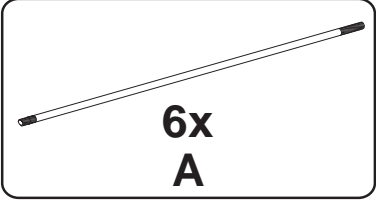
Top Tips before you start!

1. Please check that all parts are present before you start the assembly of your furniture.
2. For ease and speed of assembly, we recommend that before you commence each step of the assembly, that you identify all the parts required for that step.
3. For larger items, please ensure that you have sufficient space and people (as indicated on page 1) to assemble your product safely
4. We recommend that, where possible, all items are assembled near to the area in which they will be placed in use, to avoid moving the product unnecessarily once assembled.
5. For the protection of your furniture, particularly items of high gloss finish, we recommend that the product is placed on a protected surface during assembly to prevent any damage.
6. During assembly please take care not to over-tighten any fittings, as this may damage the product.

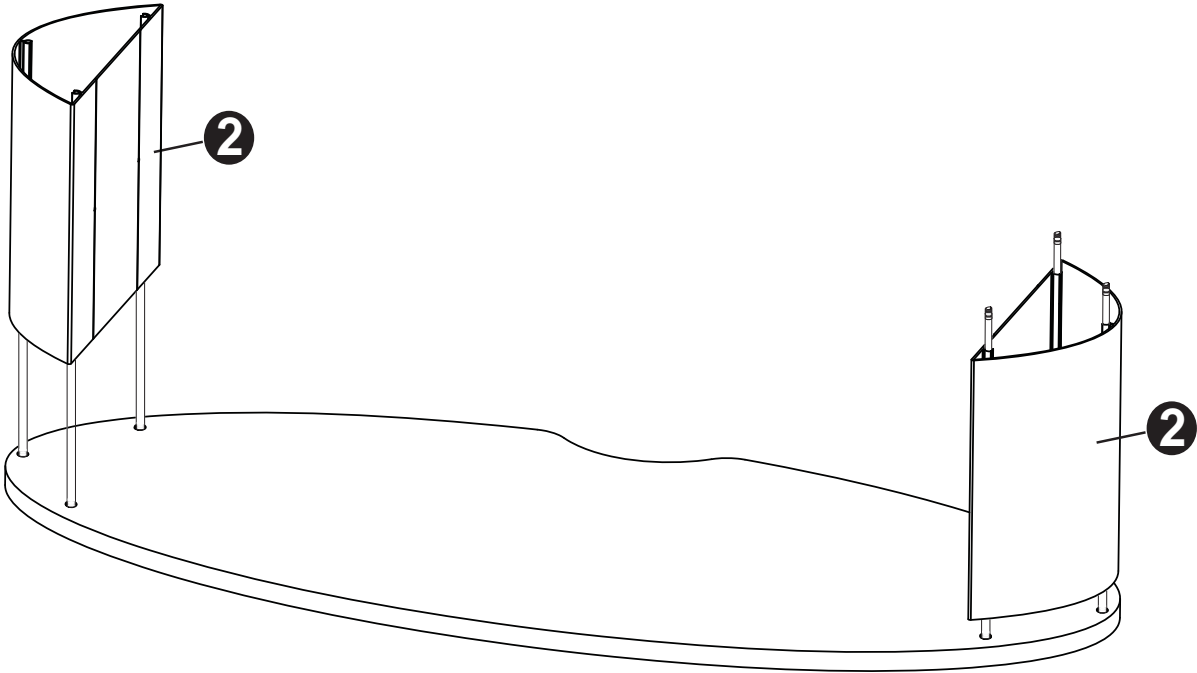
Care and Maintenance of your Furniture

- Please periodically check all fittings and re-tighten as necessary.
- Please do not sit or stand on this item.
- Never allow any kind of liquid to remain on your furniture, Absorption can cause wood to warp or finishes to de-laminate
- Please do not drag and pull your furniture.
- If the glass is chipped or broken, stop using the product and consult the manufacturer or supplier.
- Please do not place very hot or very cold items on the glass surface, unless adequately thick table mats are used to prevent such items from coming into contact with the glass.
- Please do not use the glass as a chopping surface. Do not strike the glass with hard or pointed items.
- When cleaning glass panels use a damp cloth or leather with washing up liquid or soft soap if necessary, do not use washing powders or any other substances containing abrasives since these substances scratch glass.
- The glass used in this product is toughened and complies with BS EN 12150-1:2000, clauses 8.3 & 8.4

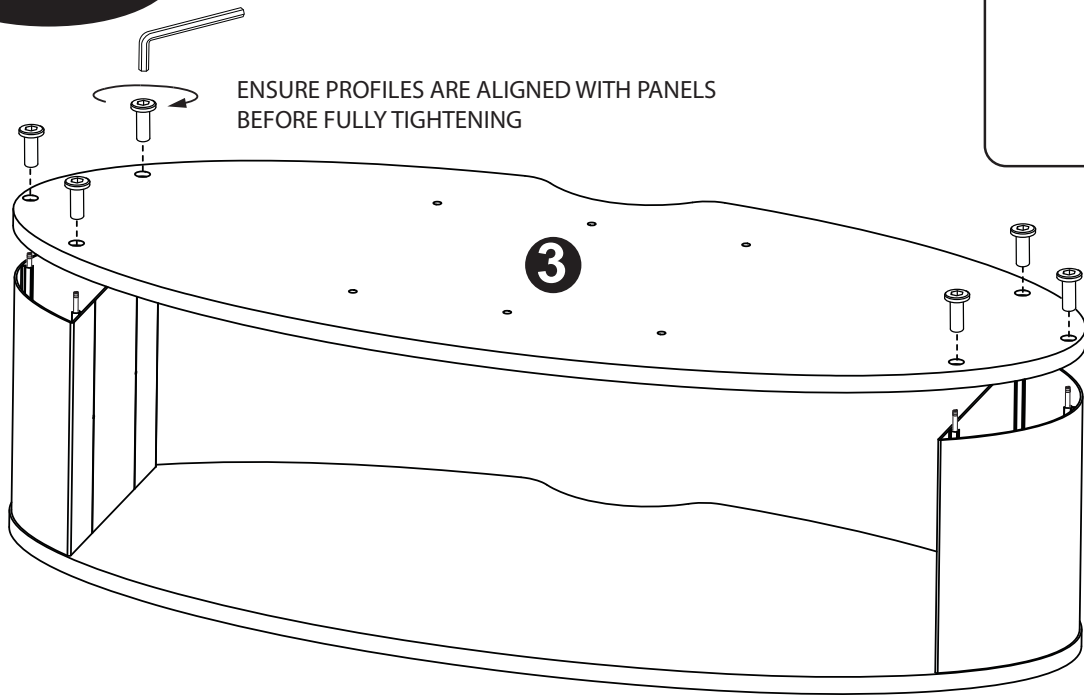
STEP 1



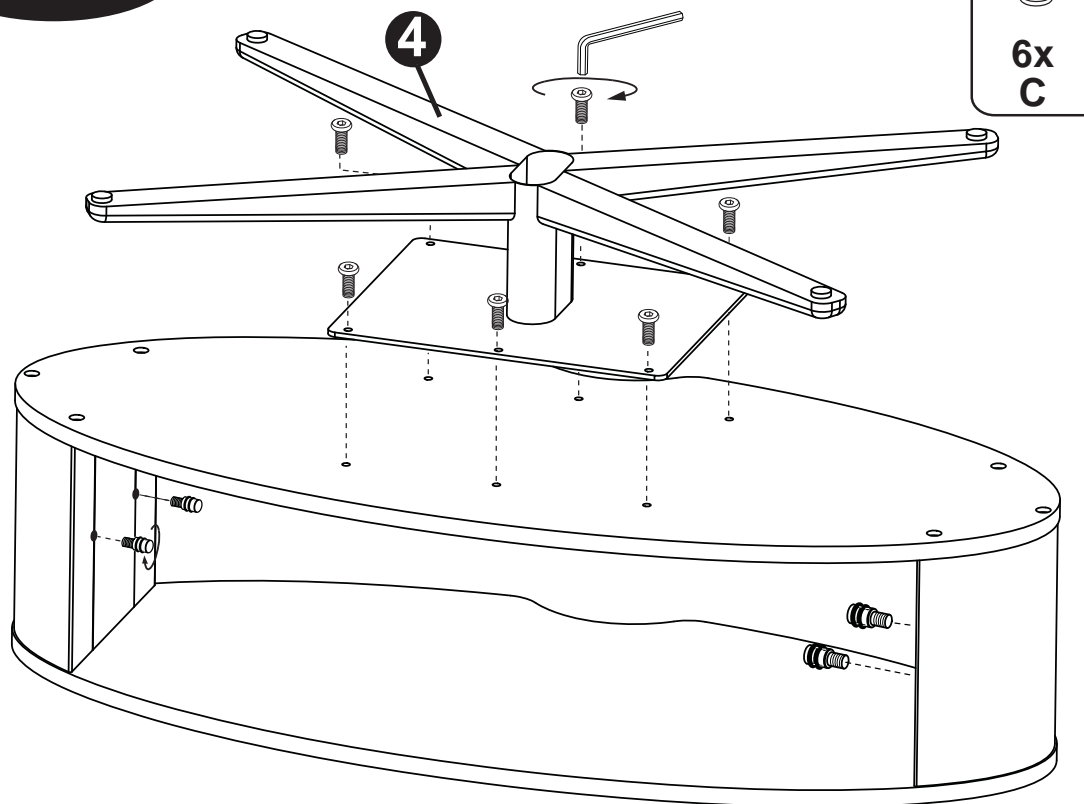
STEP 2



STEP 3



STEP 4



STEP 5

