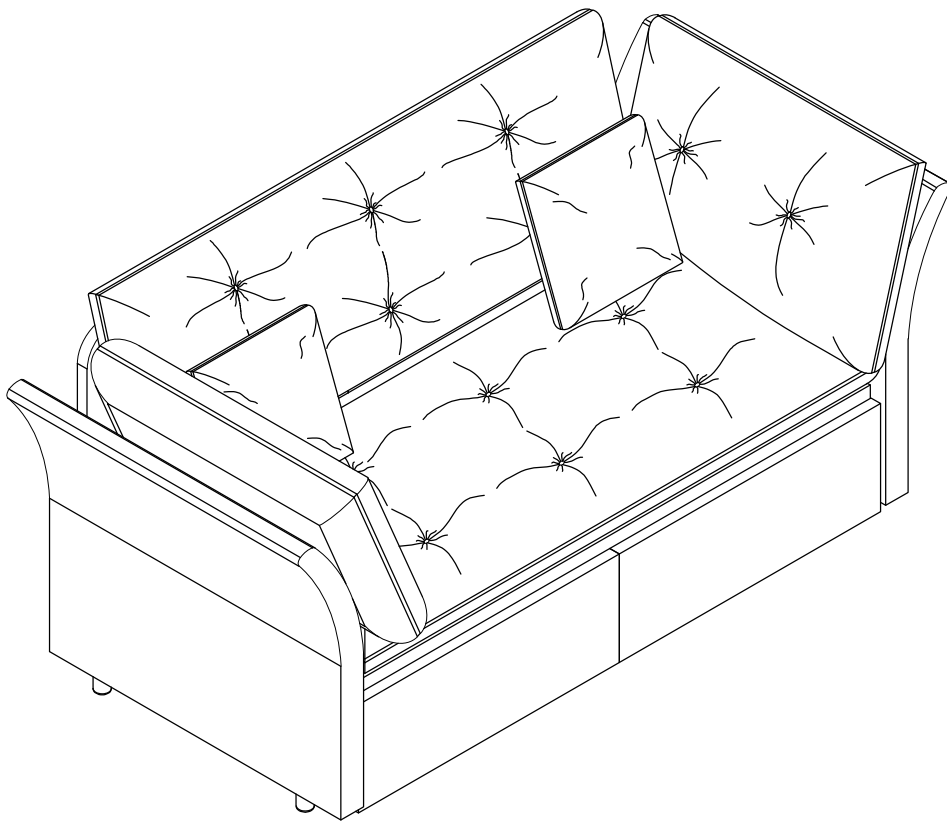
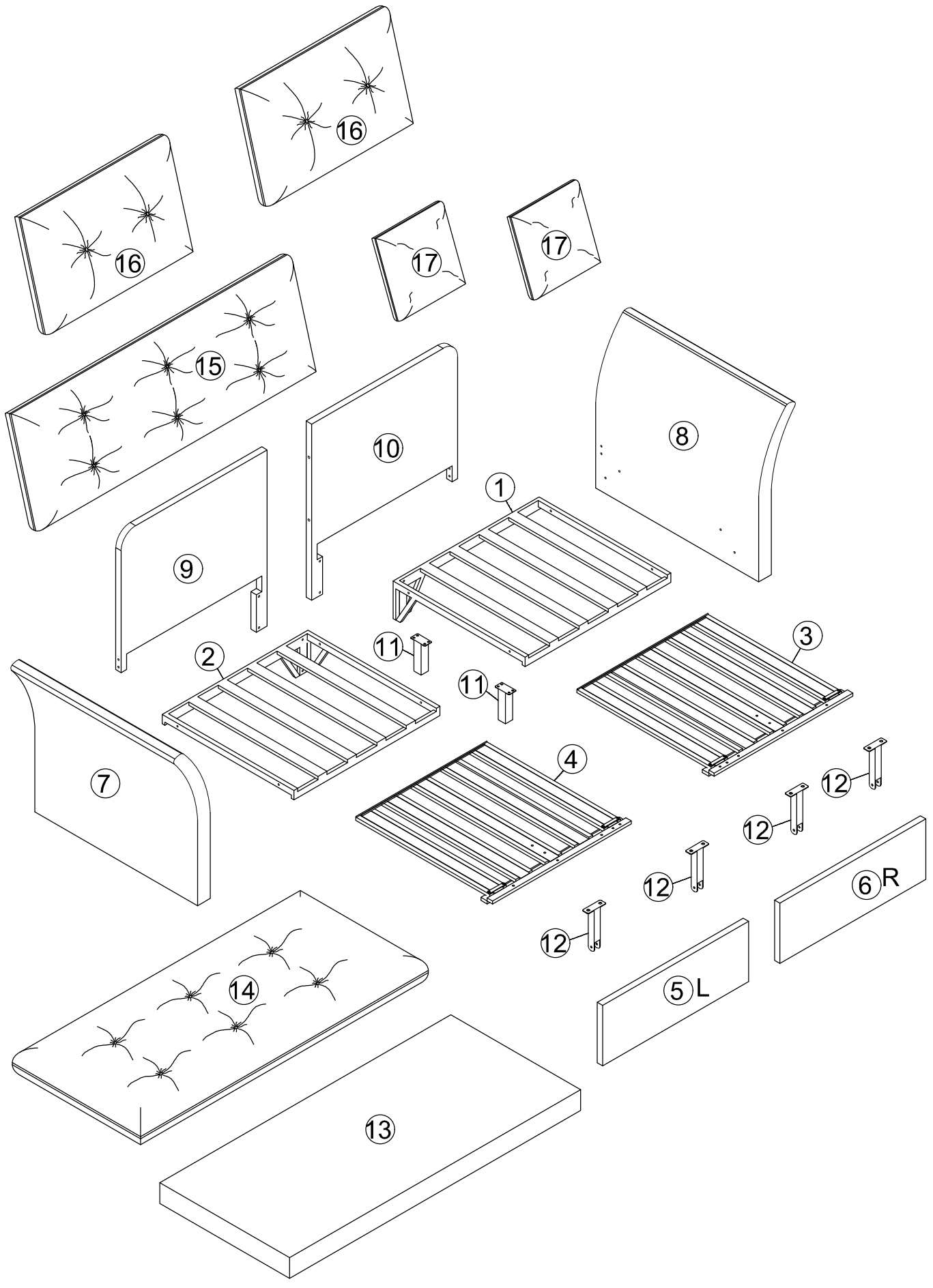
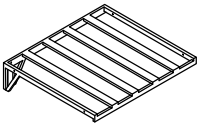
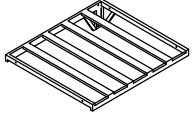
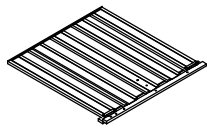

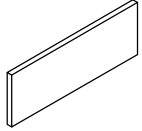
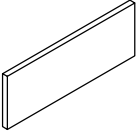
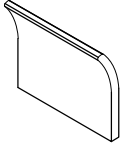
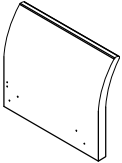
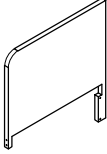
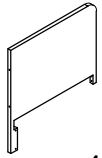
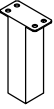
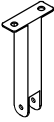
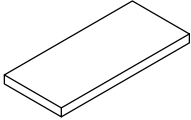
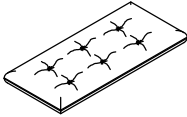
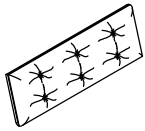
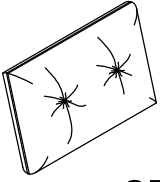
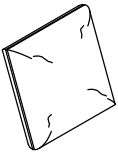


INSTALLATION INSTRUCTION

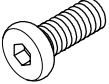
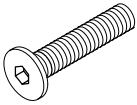
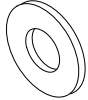
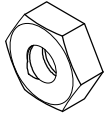
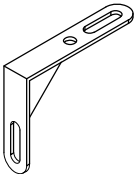
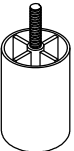
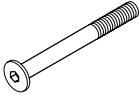
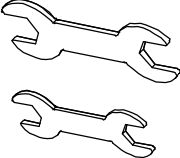
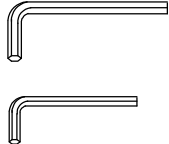
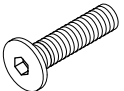
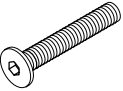

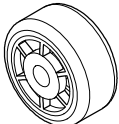
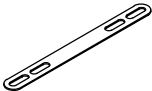




PART LIST:

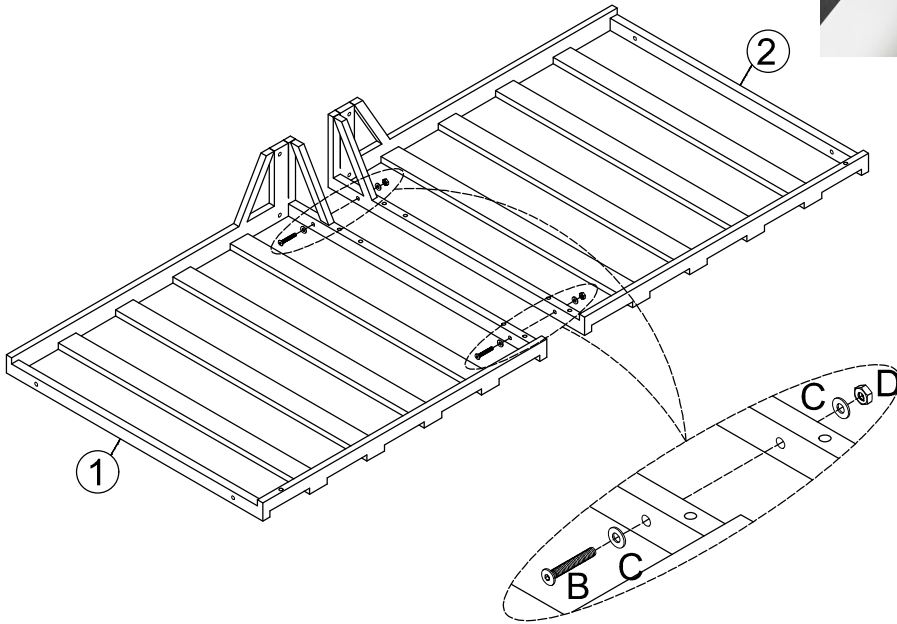
①  1PC	②  1PC	③  1PC	④  1PC	⑤  1PC
⑥  1PC	⑦  1PC	⑧  1PC	⑨  1PC	⑩  1PC
⑪  2PCS	⑫  4PCS	⑬  1PC	⑭  1PC	⑮  1PC
⑯  2PCS	⑰  2PCS			

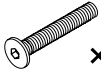


HARDWARE LIST:

A  M8×20 20PCS	B  M8×50 20PCS	C  flat gasket 24PCS	D  nut---M8 8PCS	E  4PCS
F  4PCS	G  M8×80 2PCS	H  M8 M6 1PC	I  M8 M6 1PC	J  M8×30 8PCS
K  M6×35 12PCS	L  nut---M6 8PCS	M  8PCS	N  1PC	

Step 1

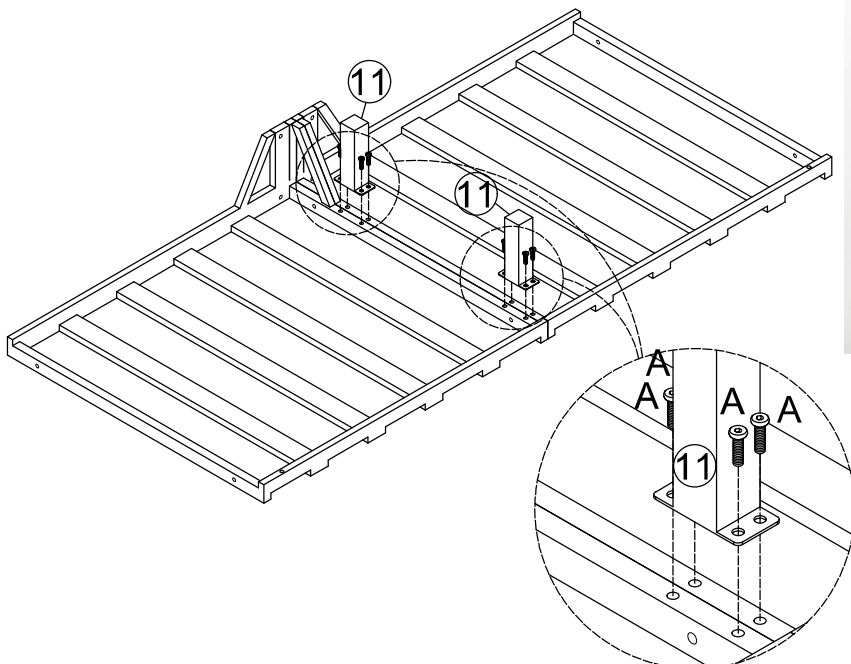
Connect part 1 and part 2 together using screw B, flat gasket C, and nut D.

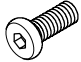


B	 x2
C	 x4
D	 x2

Step 2

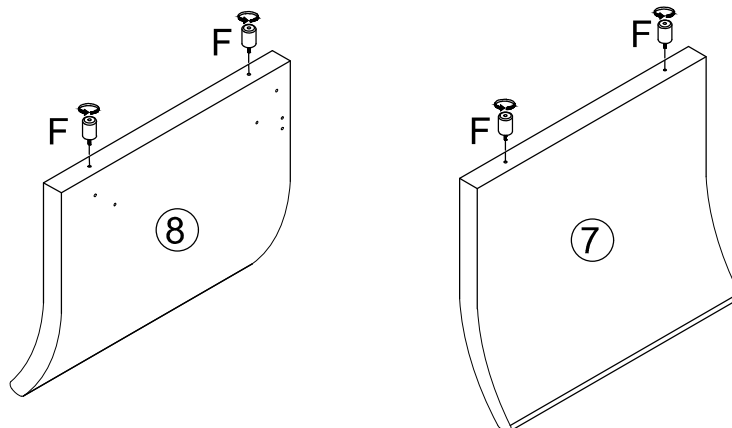
Use screw A (M8 * 20) to install part 11 onto part 1 and 2.




A	 x8
---	--

Step 3

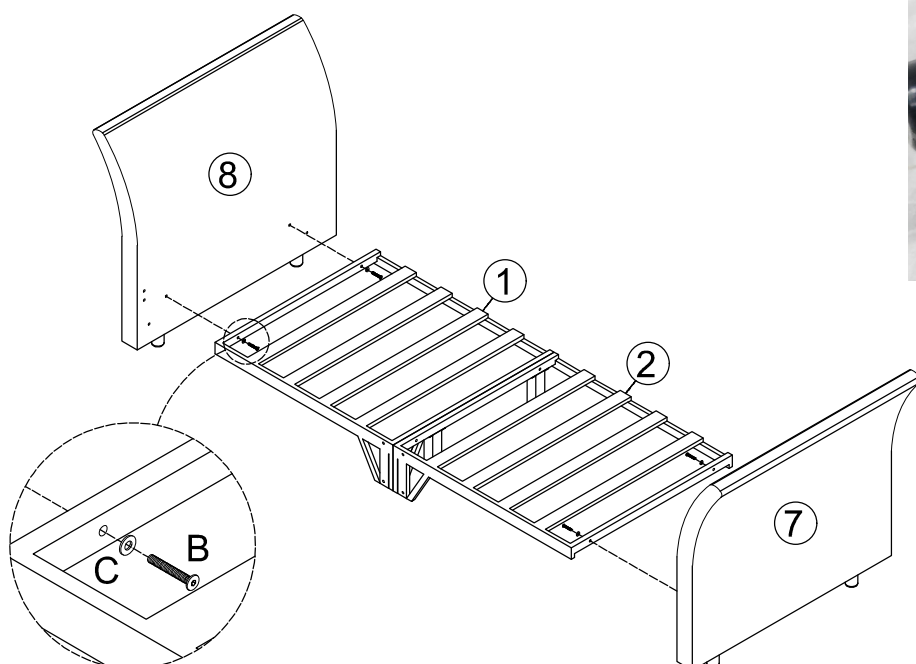
Twist leg F onto armrests 7/8 respectively.

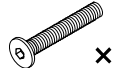



F	 x4
---	---

Step 4

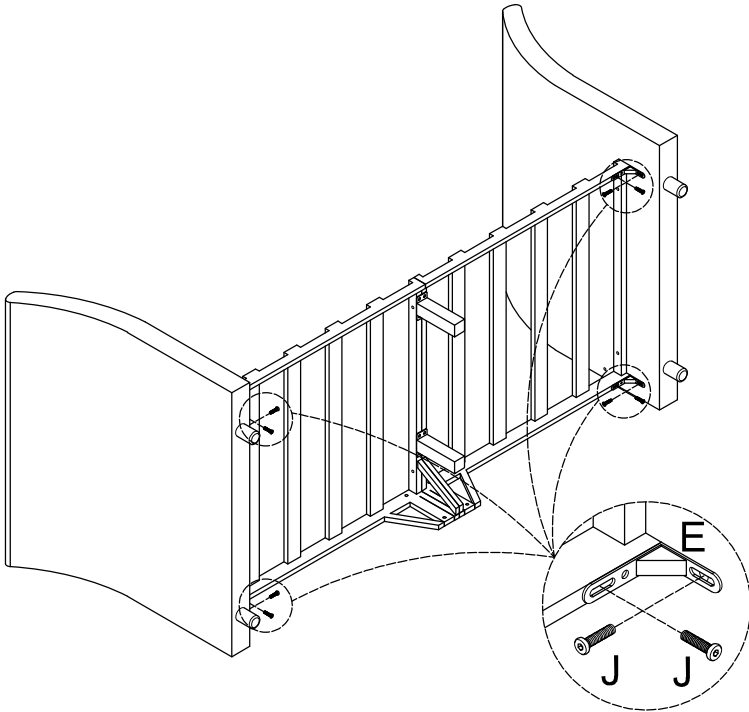
Use screw B (M8 * 50) to connect part 1/2 to armrest 7/8 together.


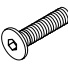


B	 x4
C	 x4

Step 5

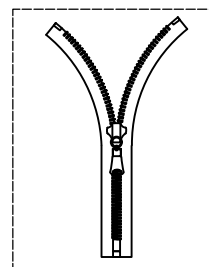
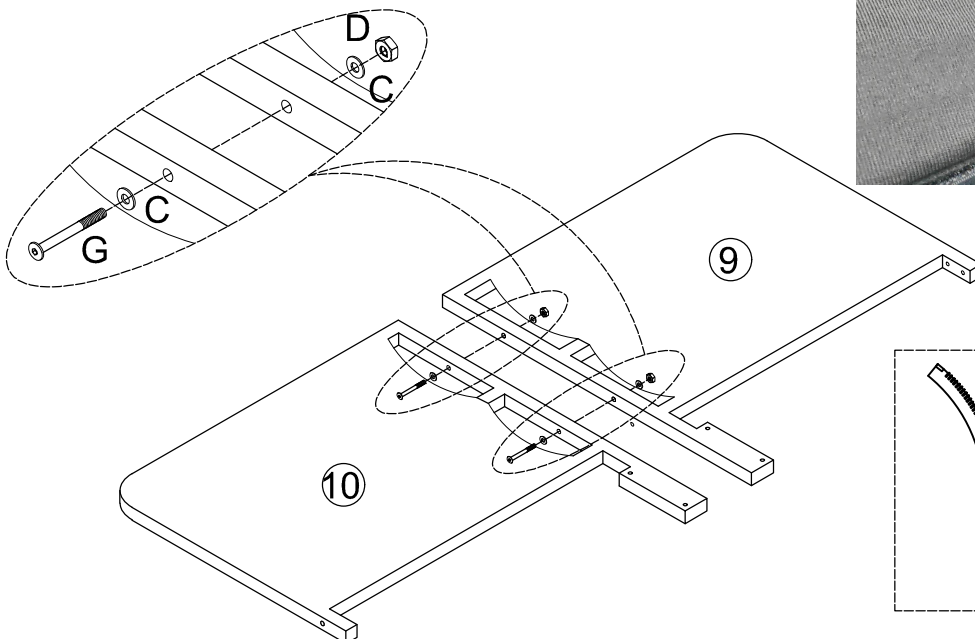
Use screw J(M8*30) to connect reinforcement E to armrest 7/8 and frame 1/2. After being fixed again, the sofa becomes more stable.


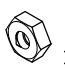



E		x4
J		x8

Step 6

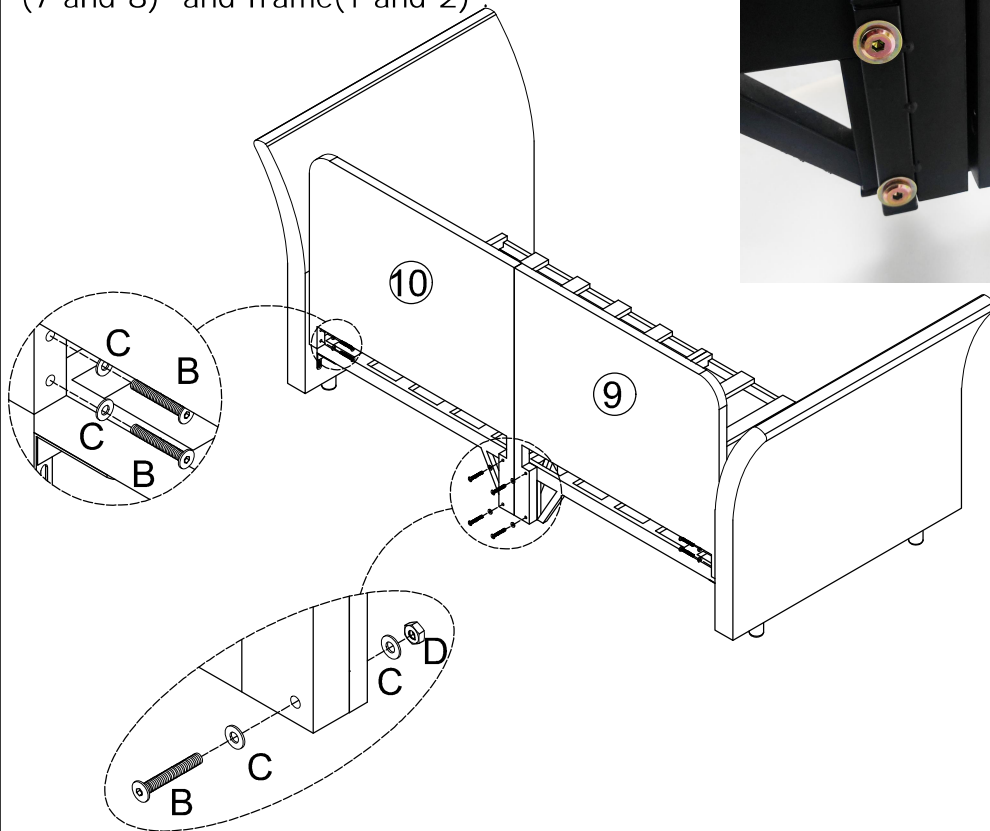
Open the zipper of part 9 and 10, use screw G (M8 * 80), nut D (M8), and flat gasket C to connect part 9 and part 10 together. (this is the backrest of the sofa).

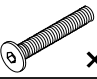




C		x4
D		x2
G		x2

Step 7

Open the zipper of part 9 and 10, Use screw B (M8 * 50), flat gasket C, and nut D to connect the backrest (9 and 10) to armrest (7 and 8) and frame (1 and 2).

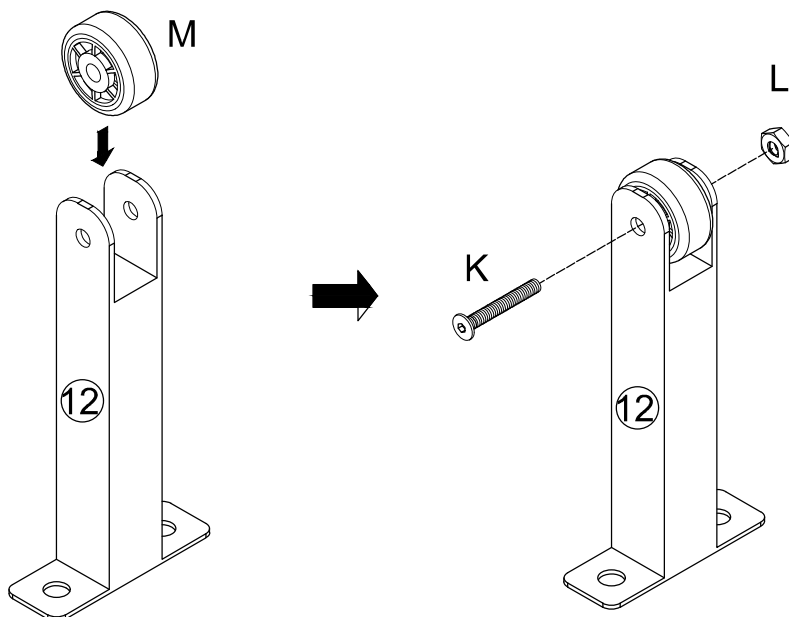


B	 x8
C	 x12
D	 x4






Step 8

Use screw K (M6 * 35) and nut L (M6) to install part M (wheel) onto part 12 (support leg).



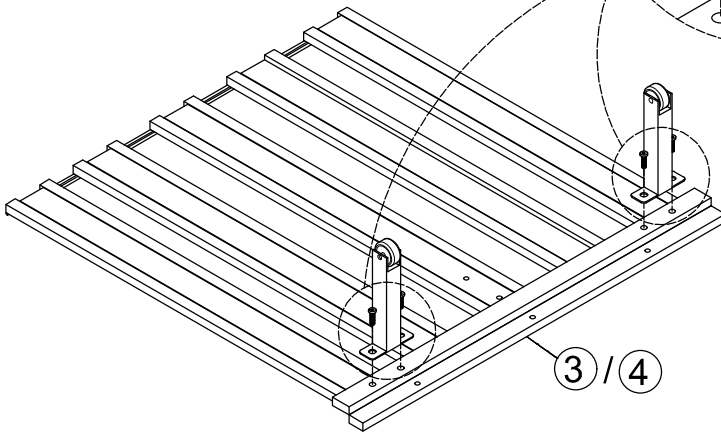
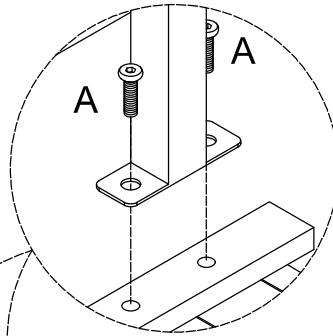
x4

K	 x4
L	 x4
M	 x4

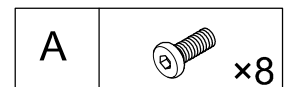
Step 9



Use screw A (M8 * 20) to install the support leg that was installed in step eight onto frames 3 and 4.



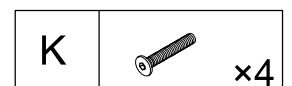
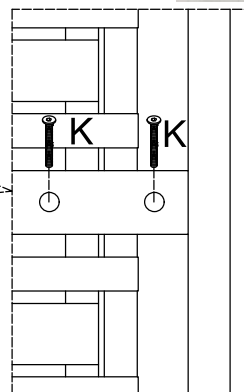
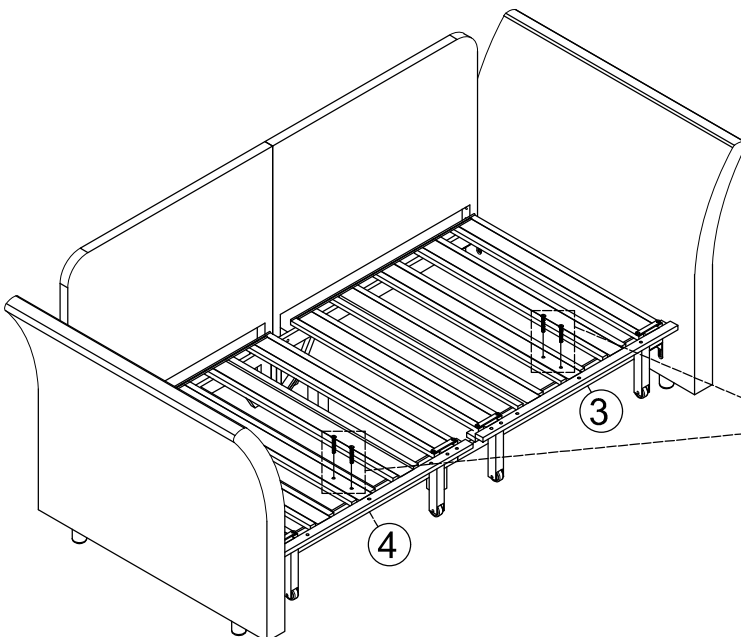
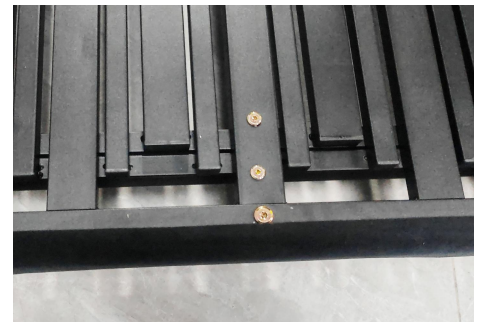
x2



Step 10




The Sofa Body has 4 reserved holes that can be inserted with 4 bolts (M6 * 35), so that the sofa will not slide.

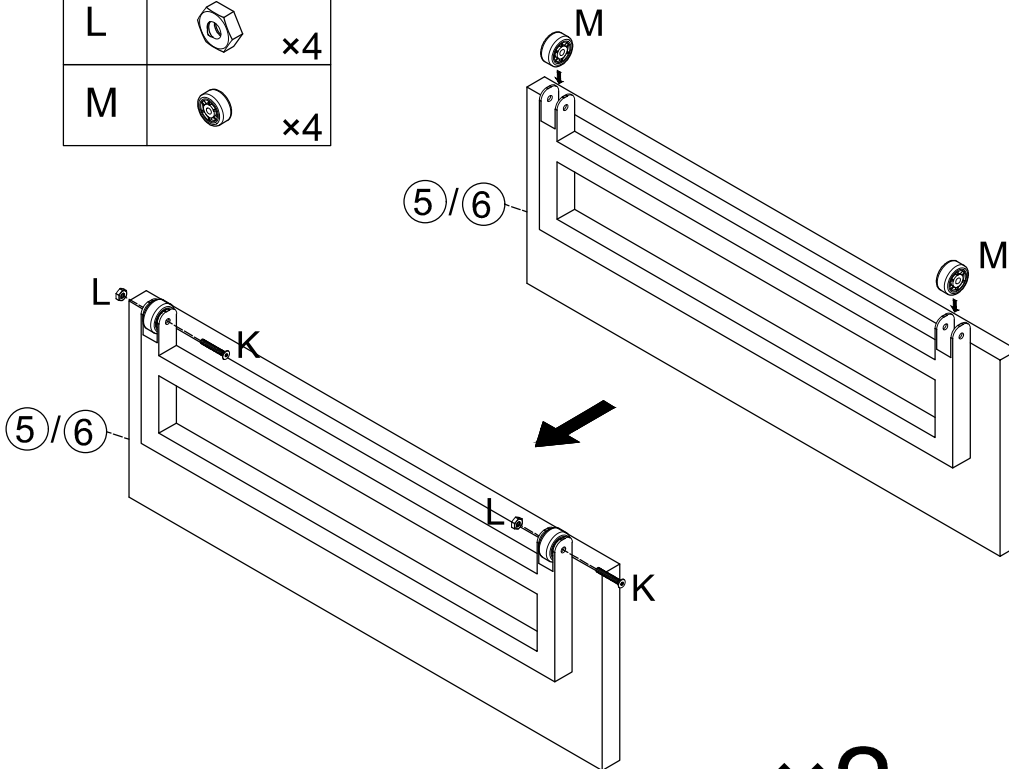
When using the bed, remove the bolts and it can be used normally. By the way, when making a sofa, it usually doesn't slide. If you are confused, you can do this. We hope you can understand our intention, thank you!



Step 11

Install component M (wheel) onto part 5 and 6 using screw K (M6 * 35) and nut L (M6).

K		x4
L		x4
M		x4

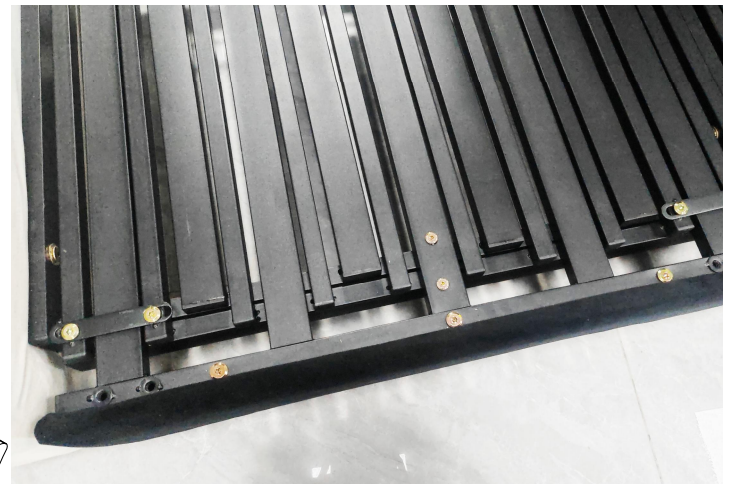
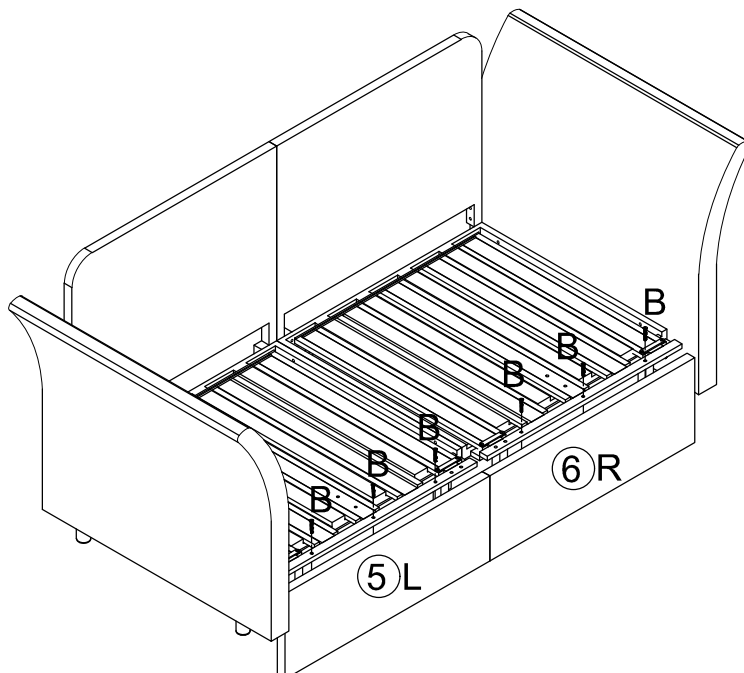


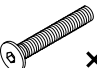
x2



Step 12

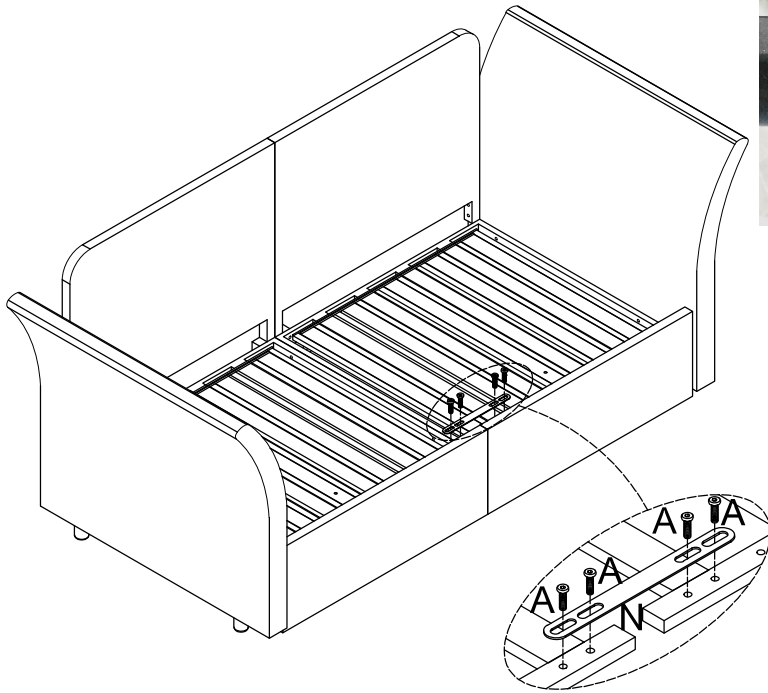
Use screw B (M8 * 50) to install Part 5/6 onto frame 3/4 (note to distinguish left and right when facing the sofa)

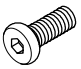



B		x6
---	---	----

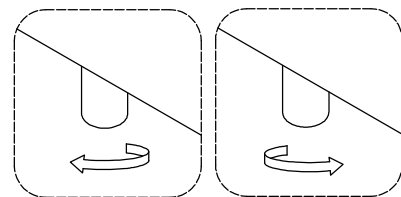
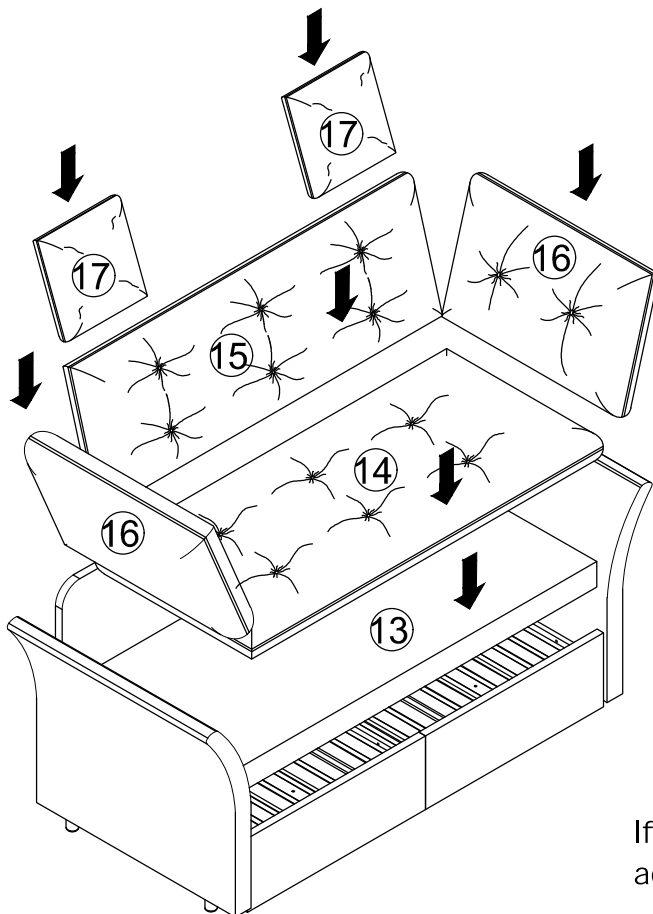
Step 13

Install part N onto part 3 and 4 using screw A (M8 * 20).



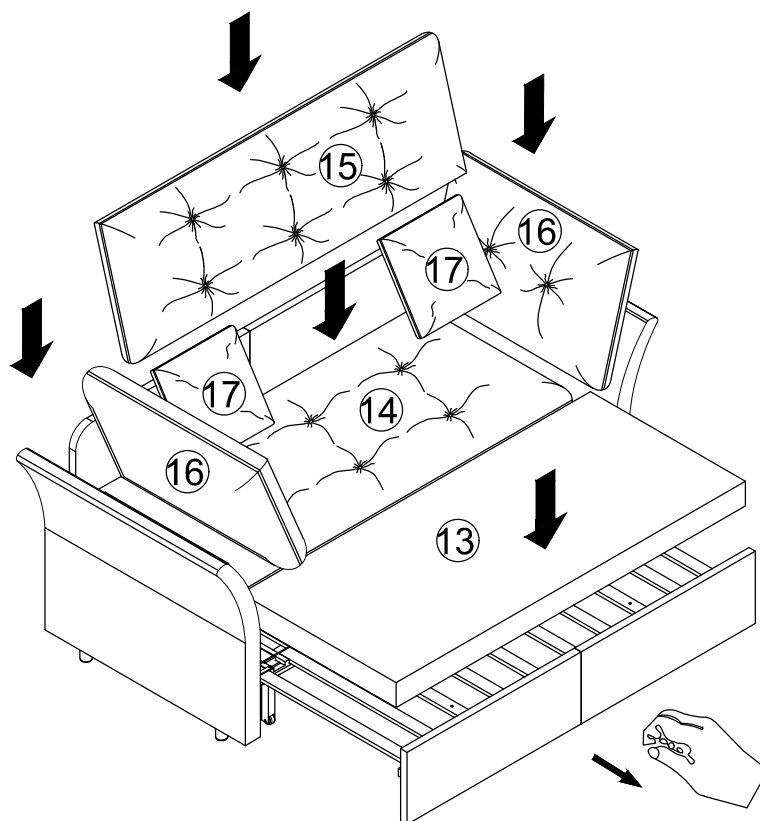
A		x4
N		x1

Step 14



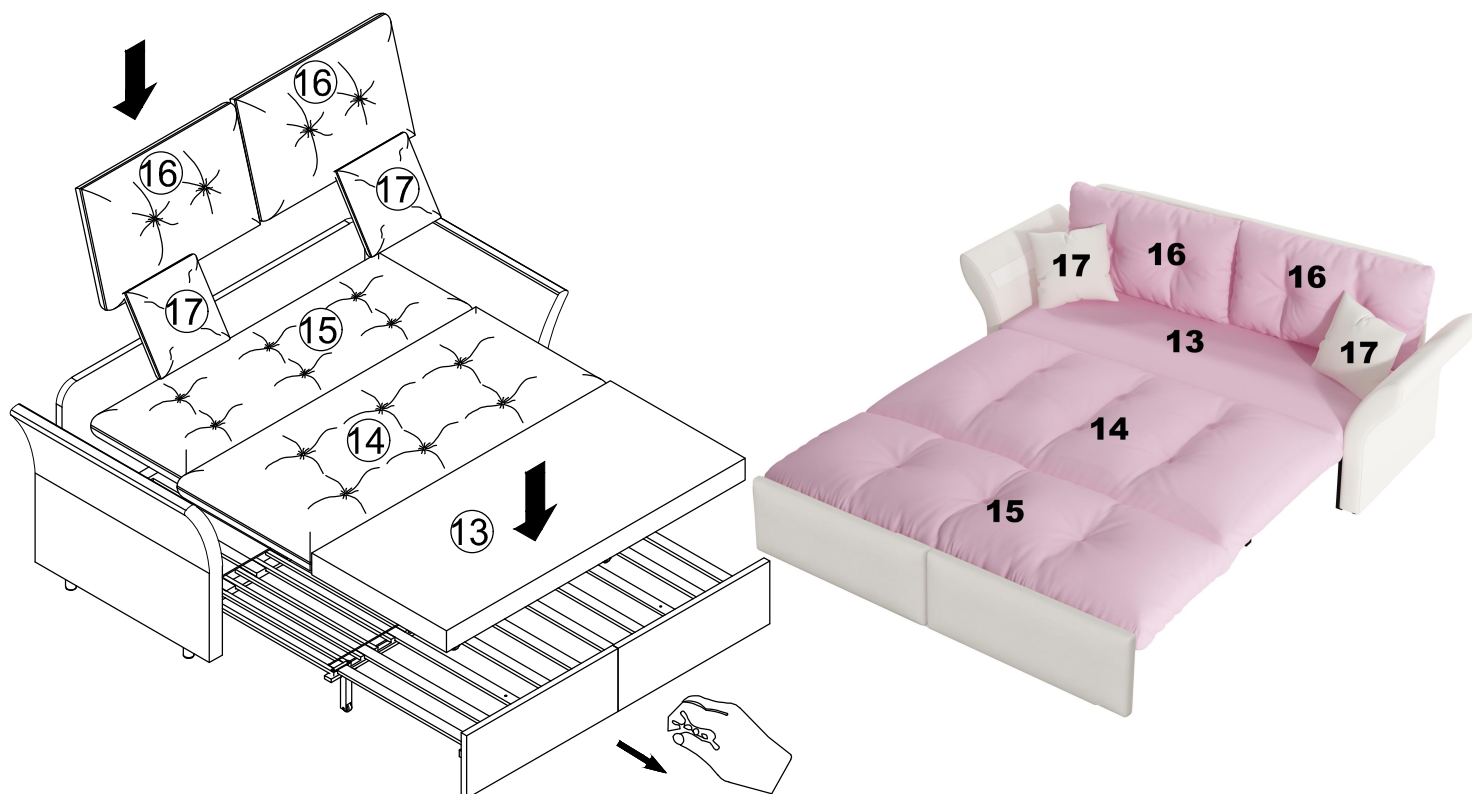
If the sofa is not positioned stably, you may adjust the height of its legs as follows.

Step 15



When opening the bed, remember to remove the screw from step 10.

Step 16



10