



HYDRUS

THAMES 6032



TUB SPECIFICATIONS

Type	Drop-in tub
Drop-in Installation Dimensions	Length: 58" Width: 30" Height: 19.25"
3-Wall Installation Dimensions	Length: 60" Width: 32" Height: 20.75"
Backslope	28 degrees
Available As	Soaking tub Thermal Air tub Whirlpool tub Combo tub
Material	1-2" thick solid surface material
Color Options	Polished white Matte white
Water Capacity	62 gallons
Weight	125-165 pounds depending on system
Pump	Pre-wired pump on pump platform (standard pump location only)
Installation	Integral E-Z level platform facilitates installation

STANDARD ELECTRICAL REQUIREMENTS:

Whirlpool System	One 20 Amp Dedicated Circuit
Thermal Air System	One 15 Amp Dedicated Circuit
Combo System	One 15 Amp Dedicated Circuit and One 20 Amp Dedicated Circuit

PLEASE NOTE: All electrical components come standard at 115 volts. All electrical circuits must be GFCI protected.

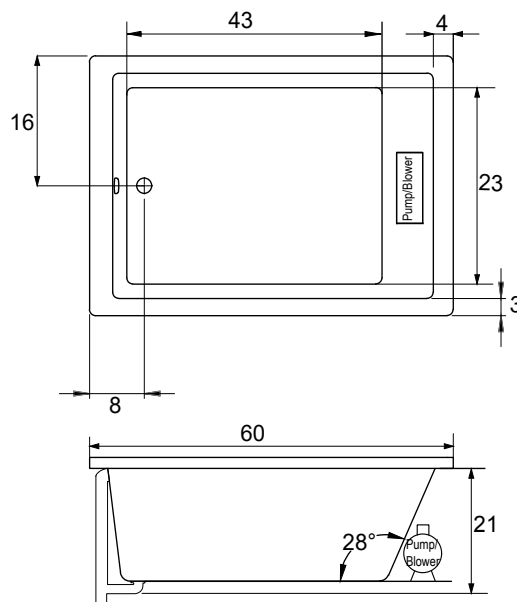
PVC SYSTEMS INCLUDE:

- 6 Fully directional adjustable flow PVC jets
- Anti-vortex safety suction
- Color matched system trim
- Ozone water sanitation system
- Rigid PVC piping
- Self draining pump and system
- Soft Touch electronic on/off control with 30-minute integral times
- 2.25 HP single speed pump
- Cable waste and overflow



Thames whirlpool tub with six standard PVC jets

TECHNICAL DRAWINGS



Optional Equipment Dimensions

- Whirlpool Pump: 12" (H) x 16" (L)
- Thermal Air Blower: 5" (H) x 11" (L)
- Hydro Fusion: 7" (H) x 15.5" (L)
- Hydro Indulge: 11" (H) x 19" (L)