

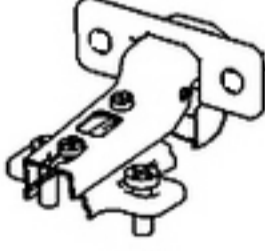
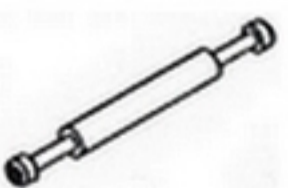

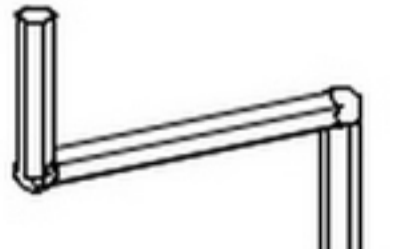


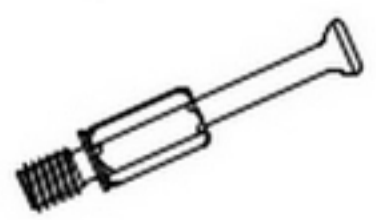

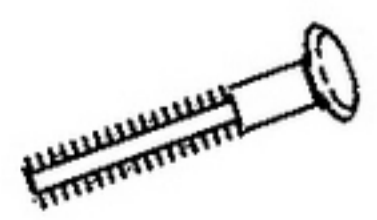



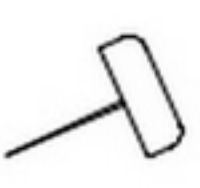





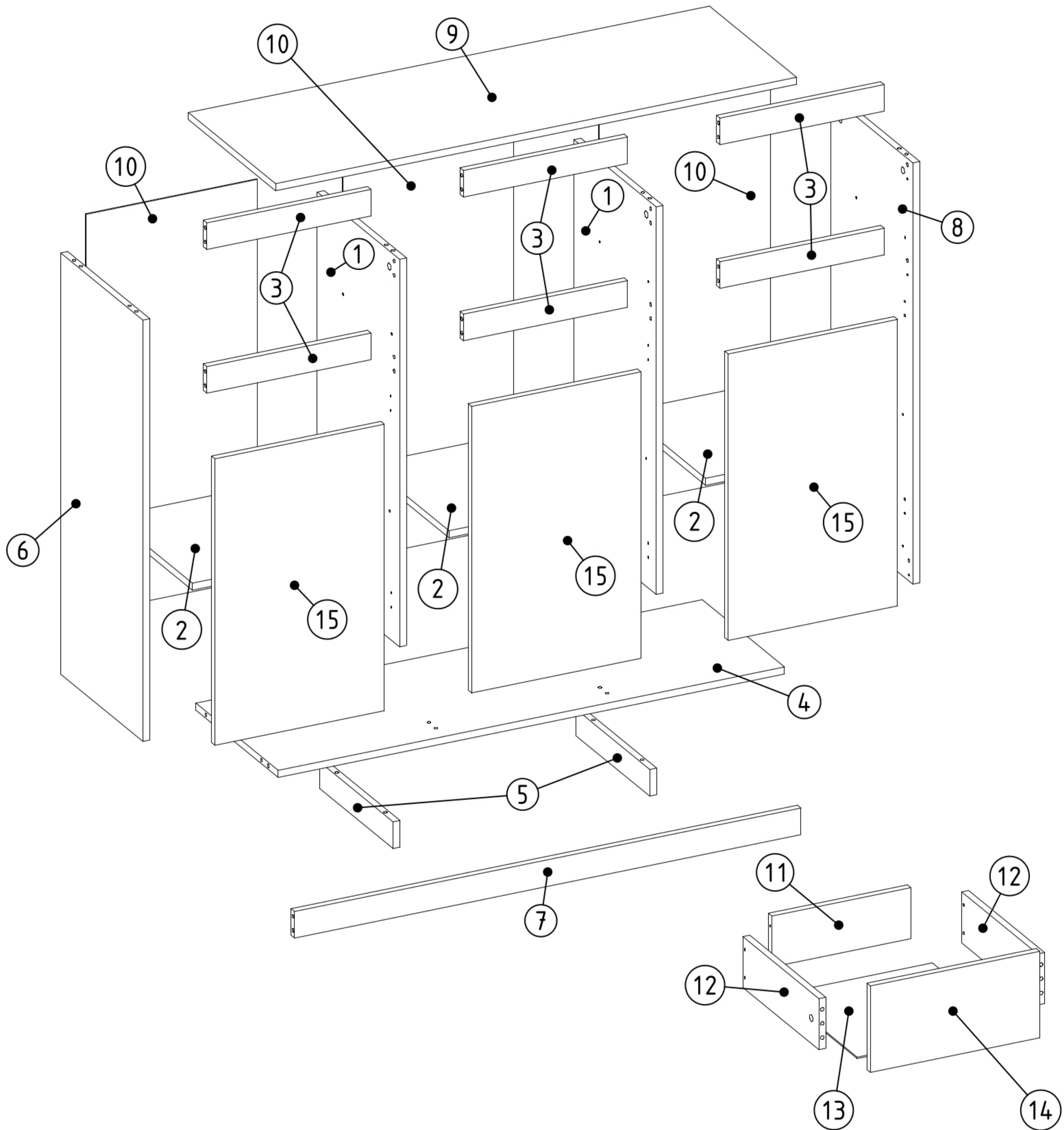


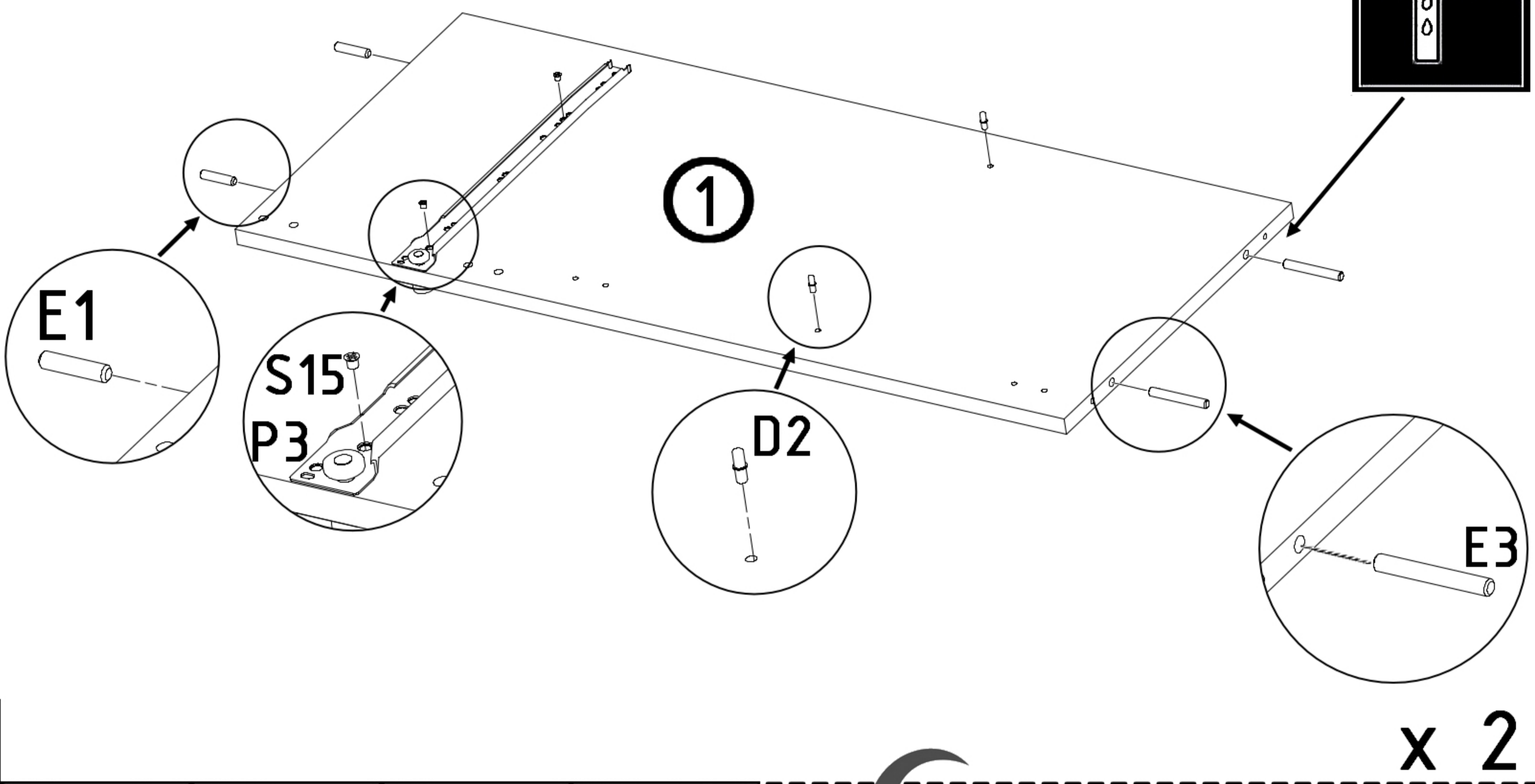
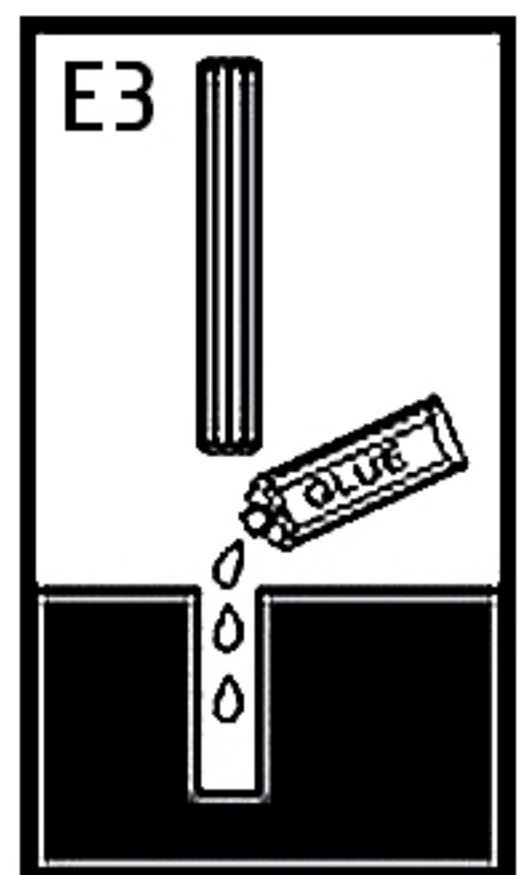
S5  2,5x20 mm x 10	F2  7x50 mm x 4	A0  ZB x 6	N3  L=76 mm x 4		
 x 1	K1  x 1	Z4  x 10	 x 1		
N2  L=45 mm x 24	M3  12x15 mm x 32	E4  L=43 mm x 12	S1  3,5x16 mm x 24	E1  8x35 mm x 30	D2  5x16 mm x 12
T1  x 8	Z2  x 80	P3  L=350 mm x 3	S15  6x8 mm x 12	M2  ø17 mm x 6	E3  8x70 mm x 8

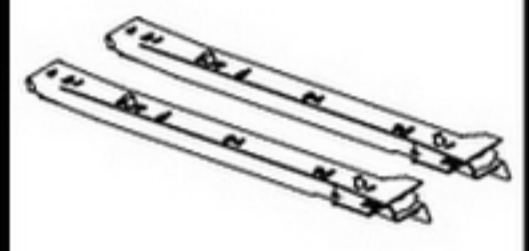





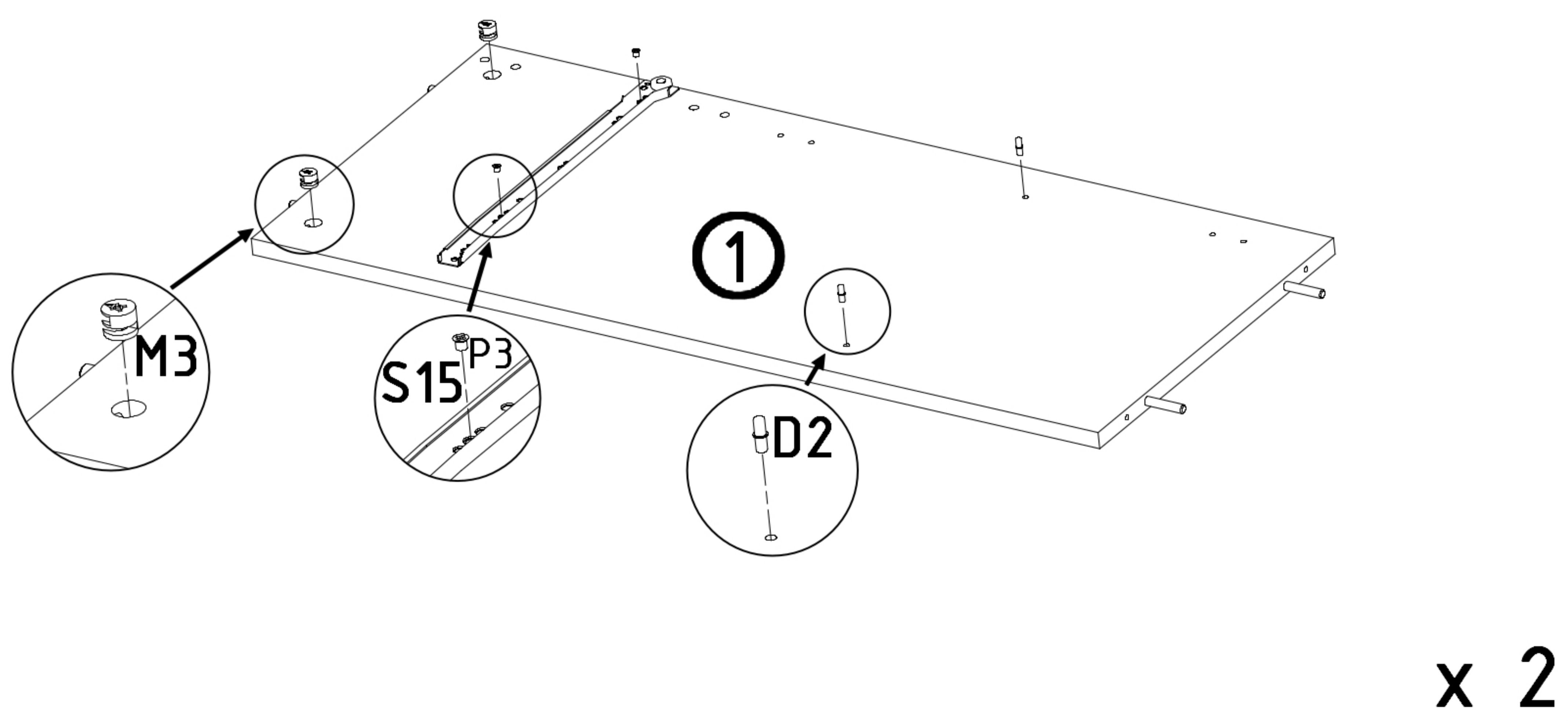
1	x	2
2	x	3
3	x	6
4	x	1
5	x	2
6	x	1
7	x	1
8	x	1

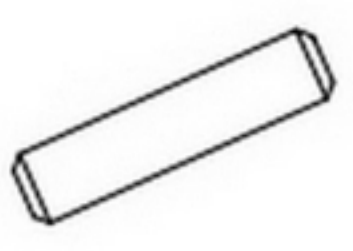

9	x	1
10	x	3
11	x	3
12	x	6
13	x	3
14	x	3
15	x	3

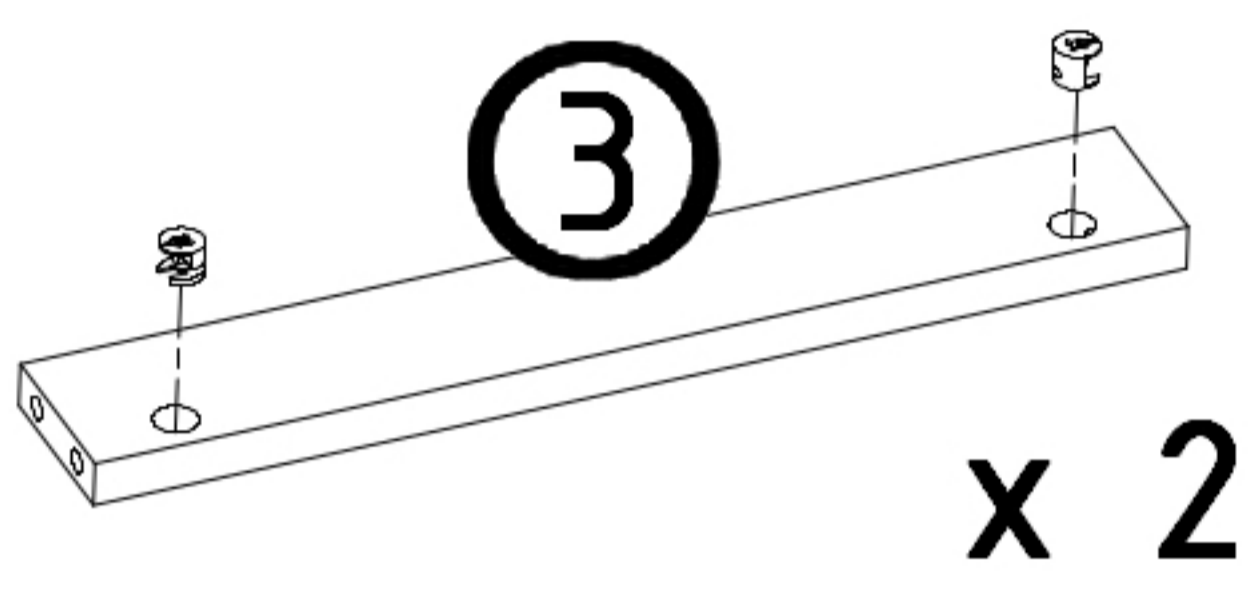
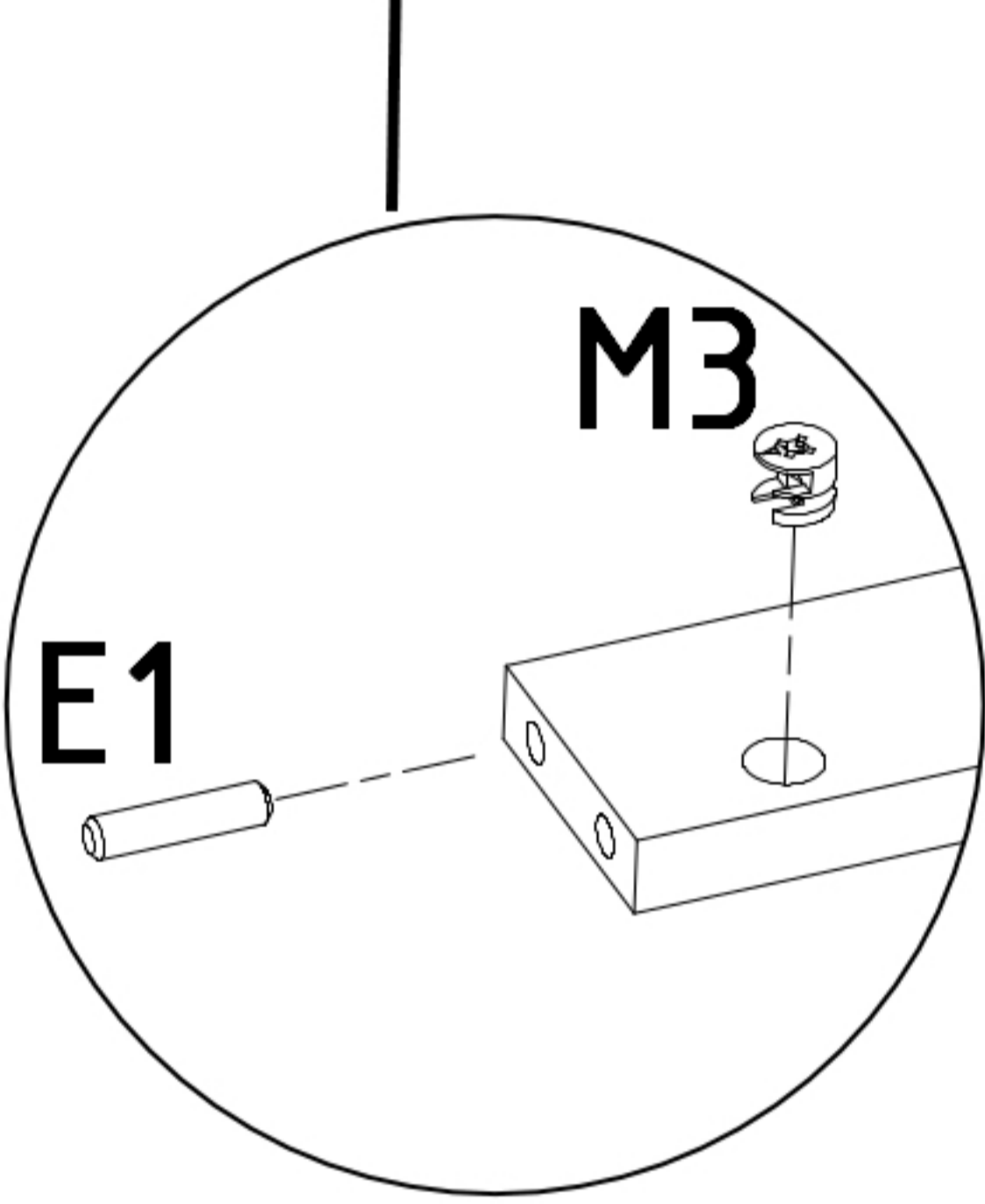
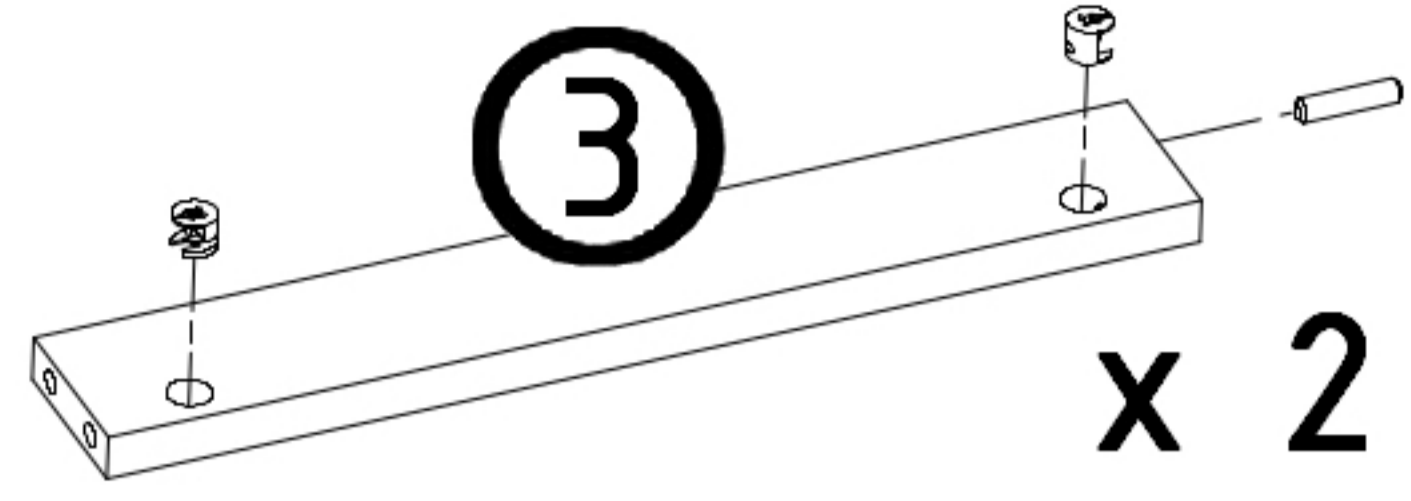
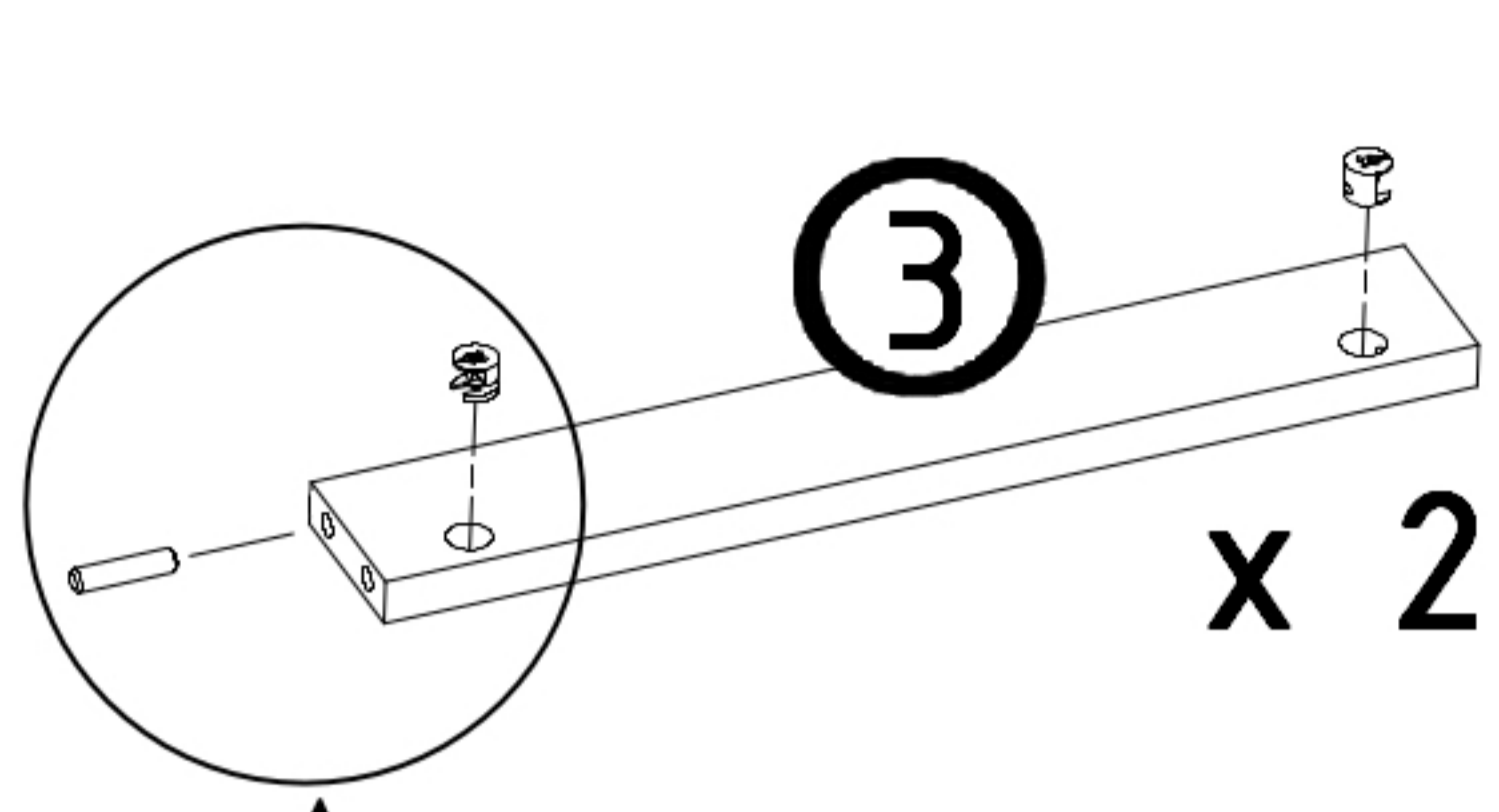
D2  x 4	P3  x 2	S15  x 4	E1  x 4	E3  x 4
---	---	--	---	---





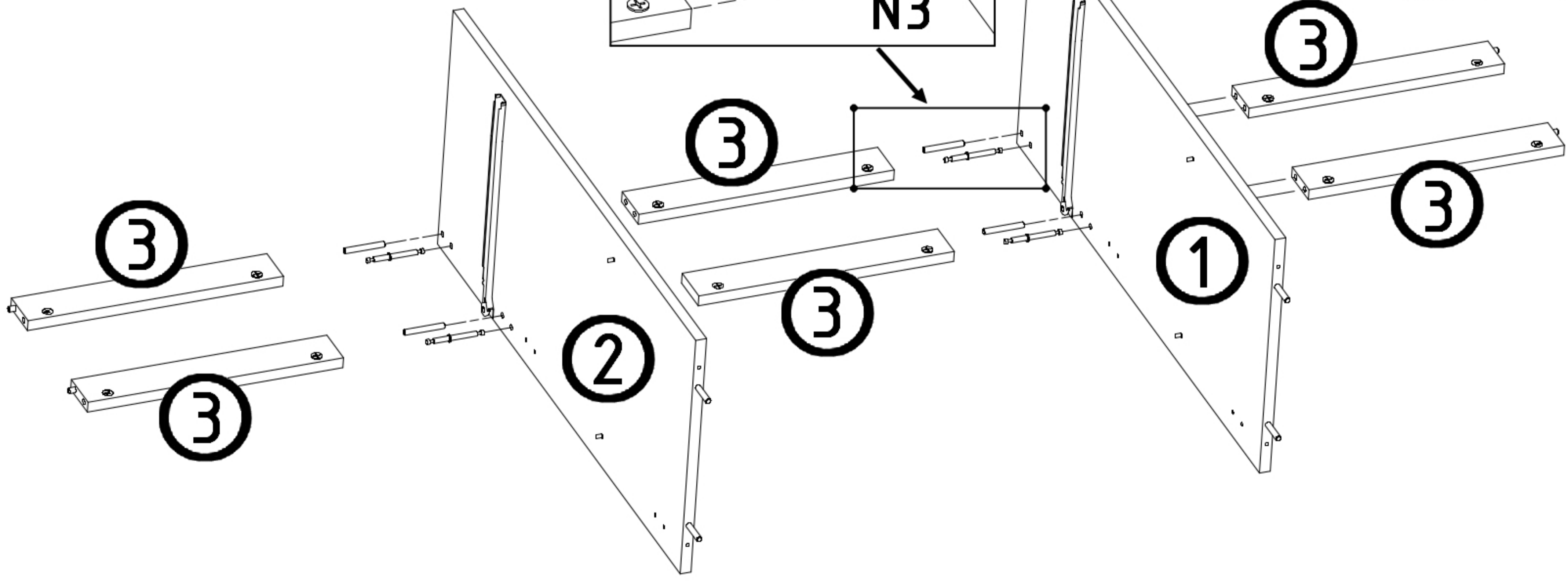
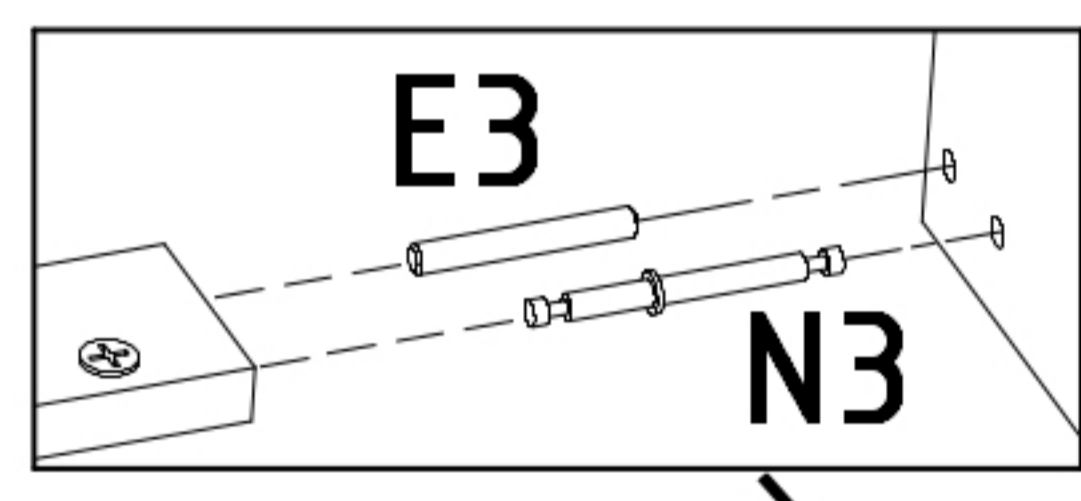
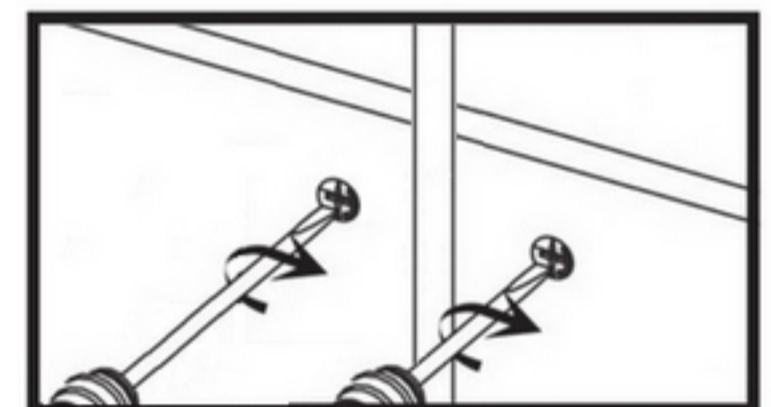
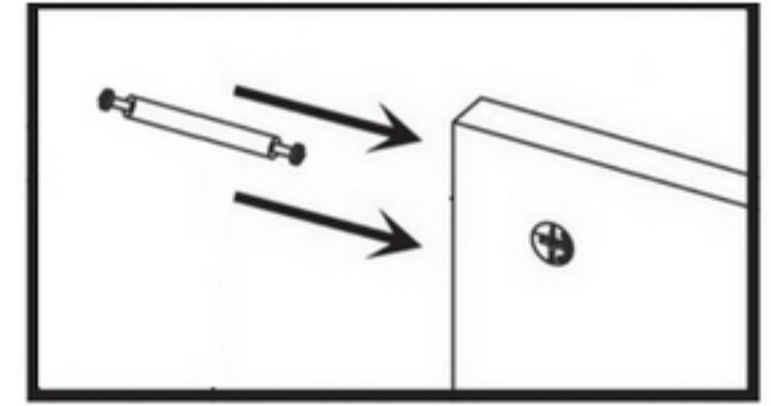
P3  x 2	S15  x 4	D2  x 4	M3  x 4
--	--	---	---





E1  x 4	M3  x 12
---	---

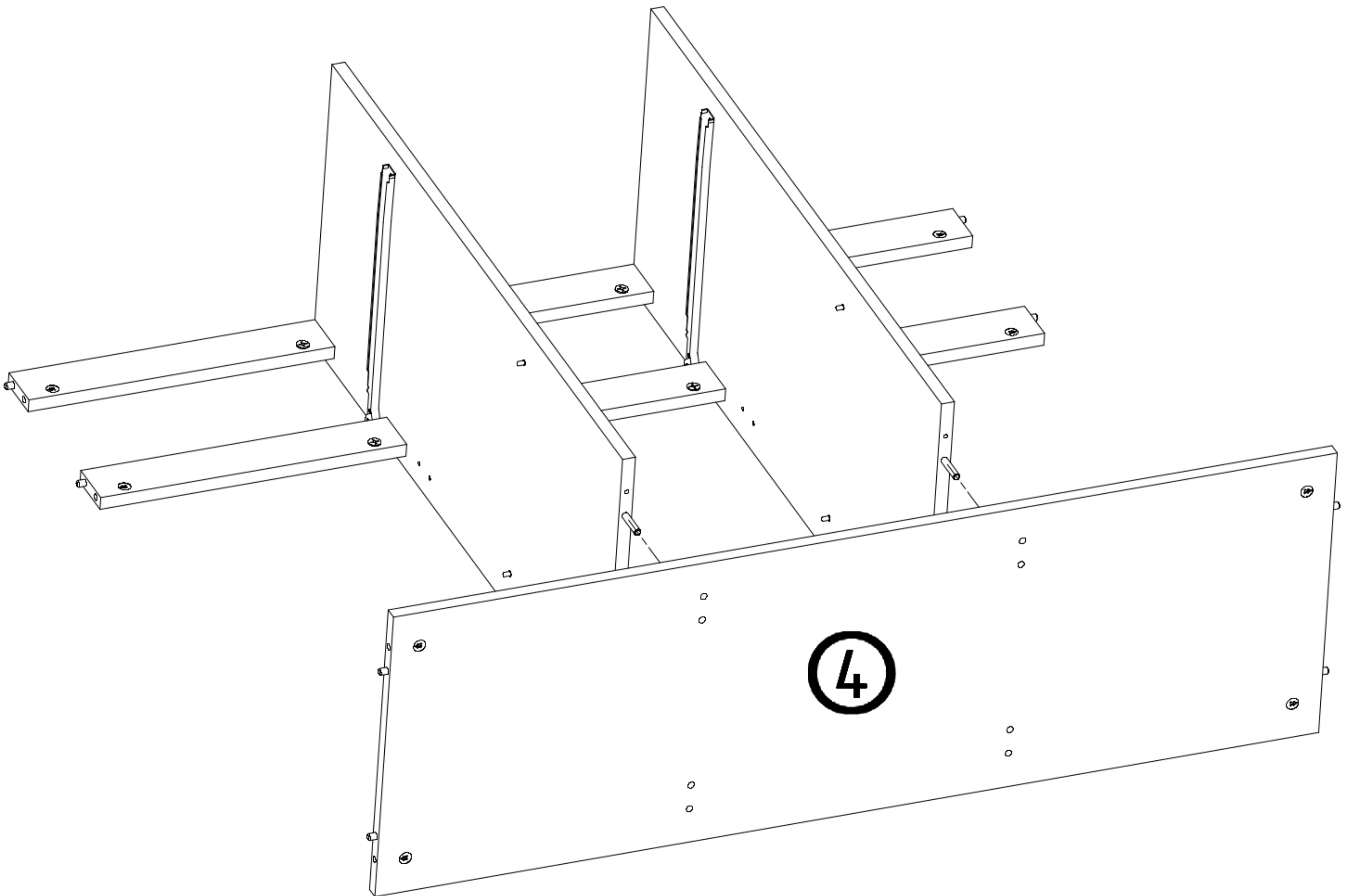
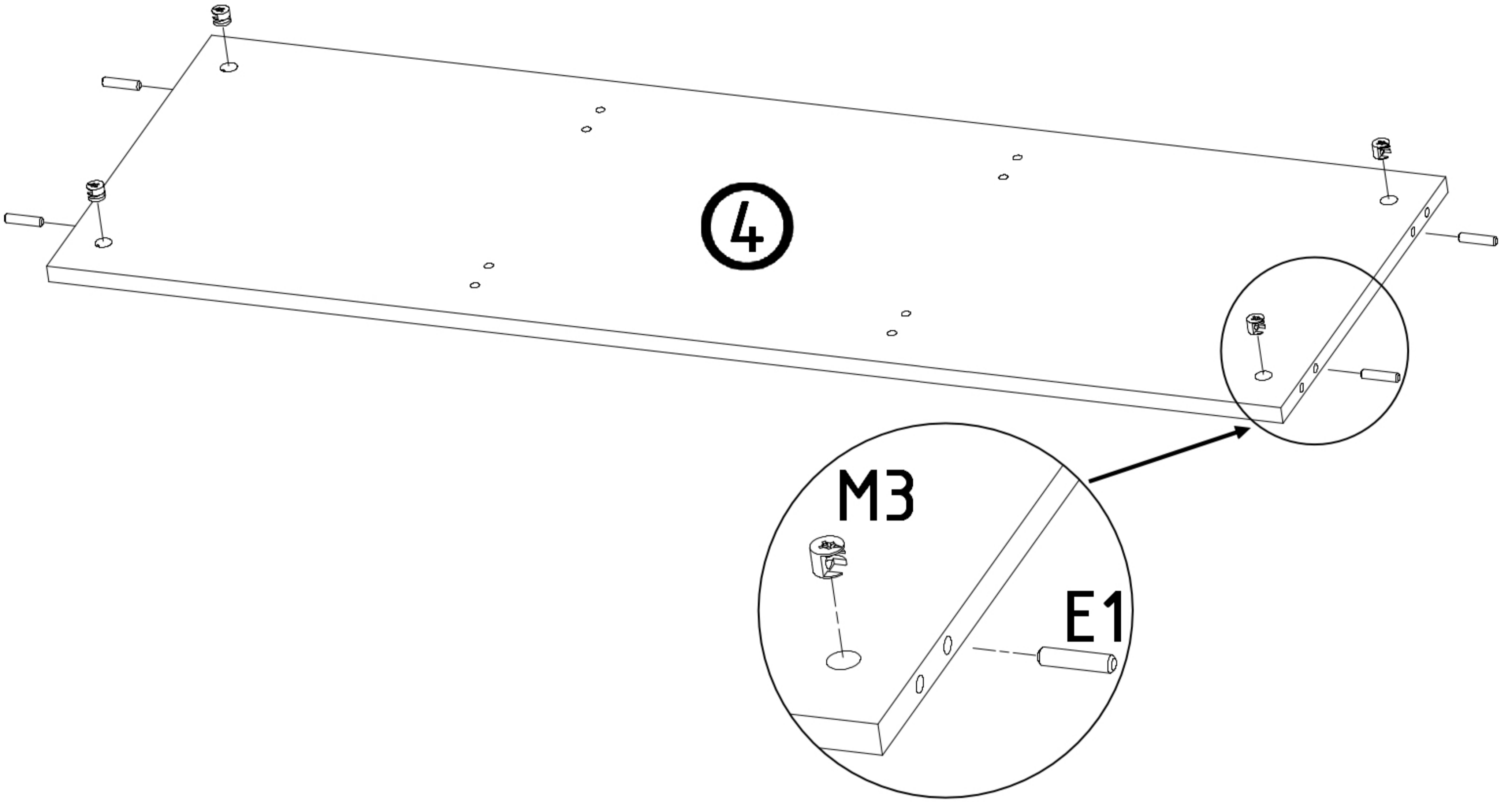


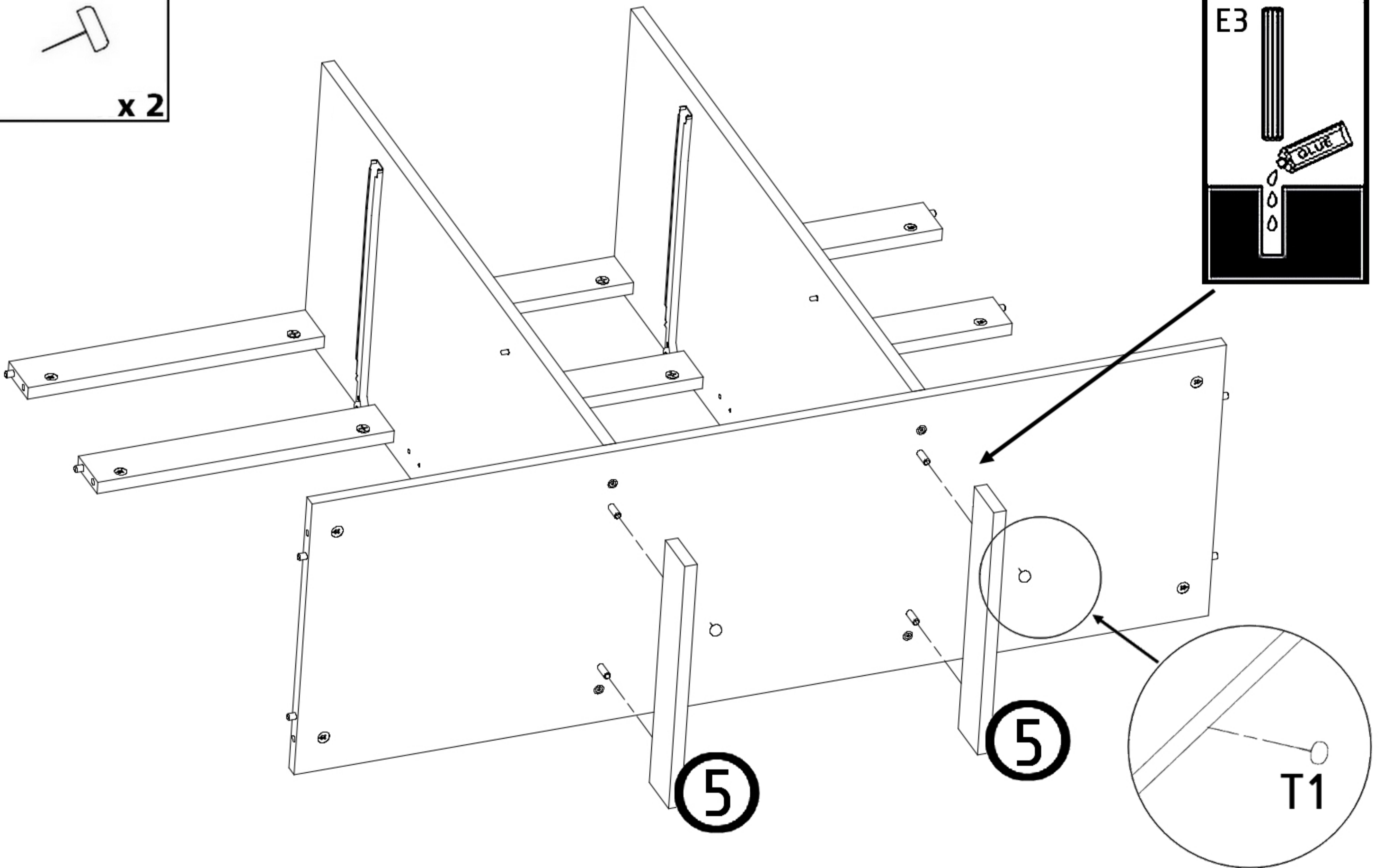
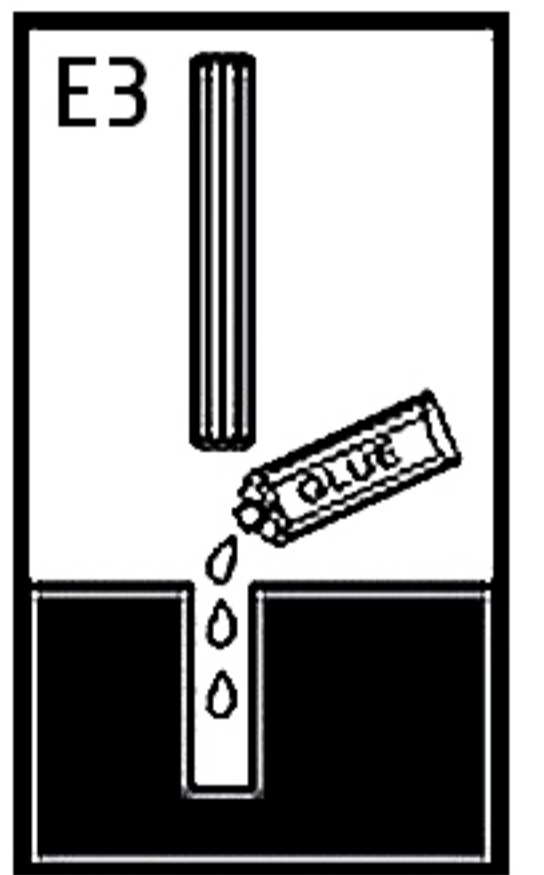
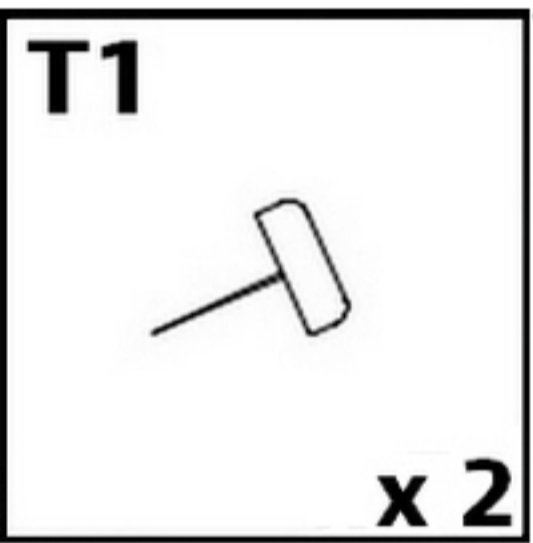
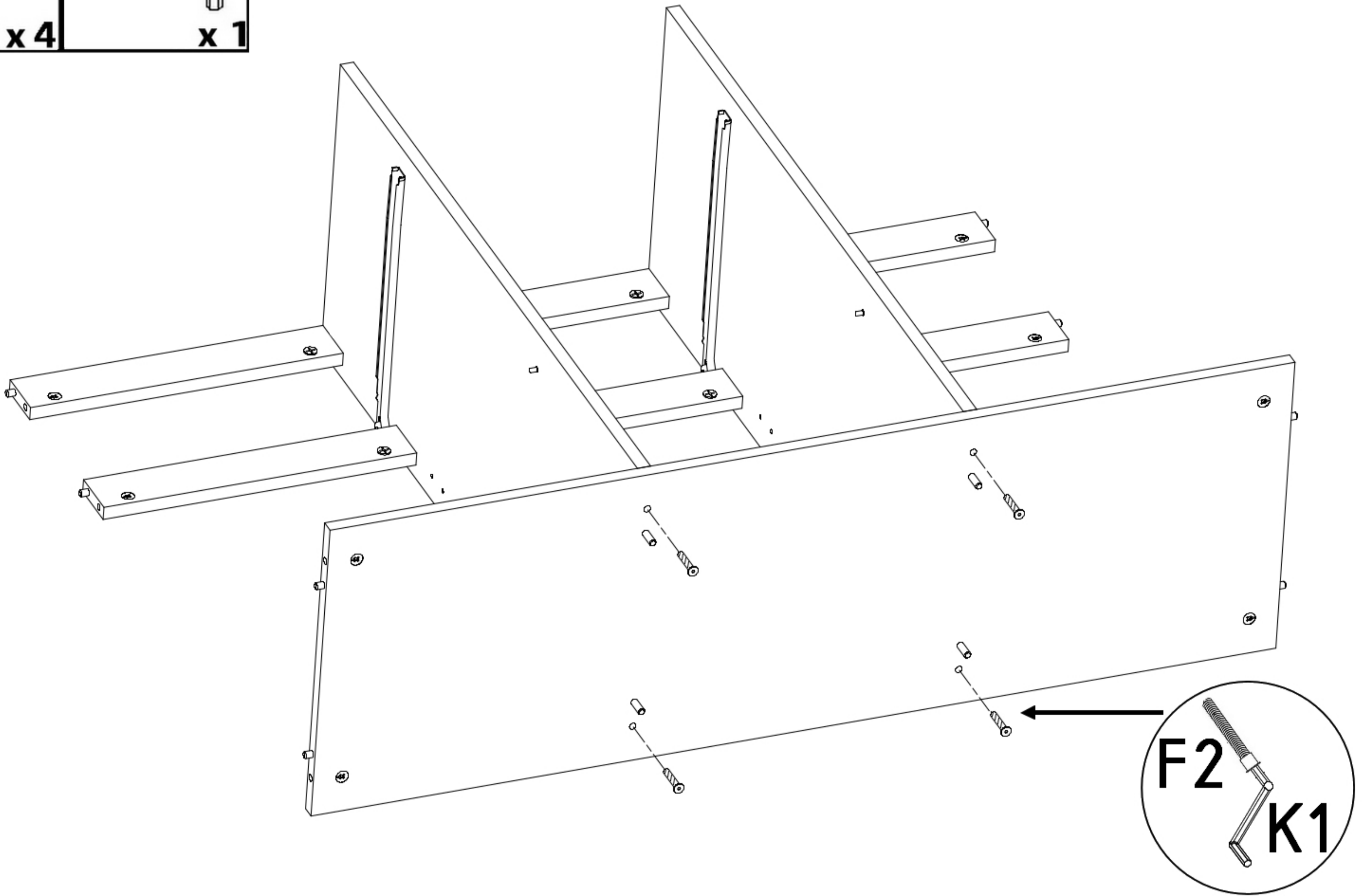
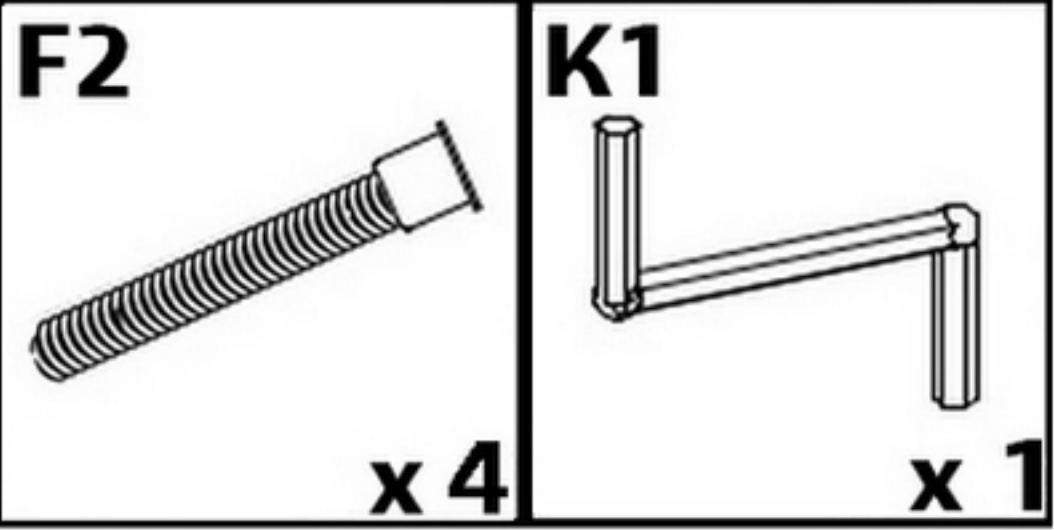
N3  x 4	E3  x 4
---	--



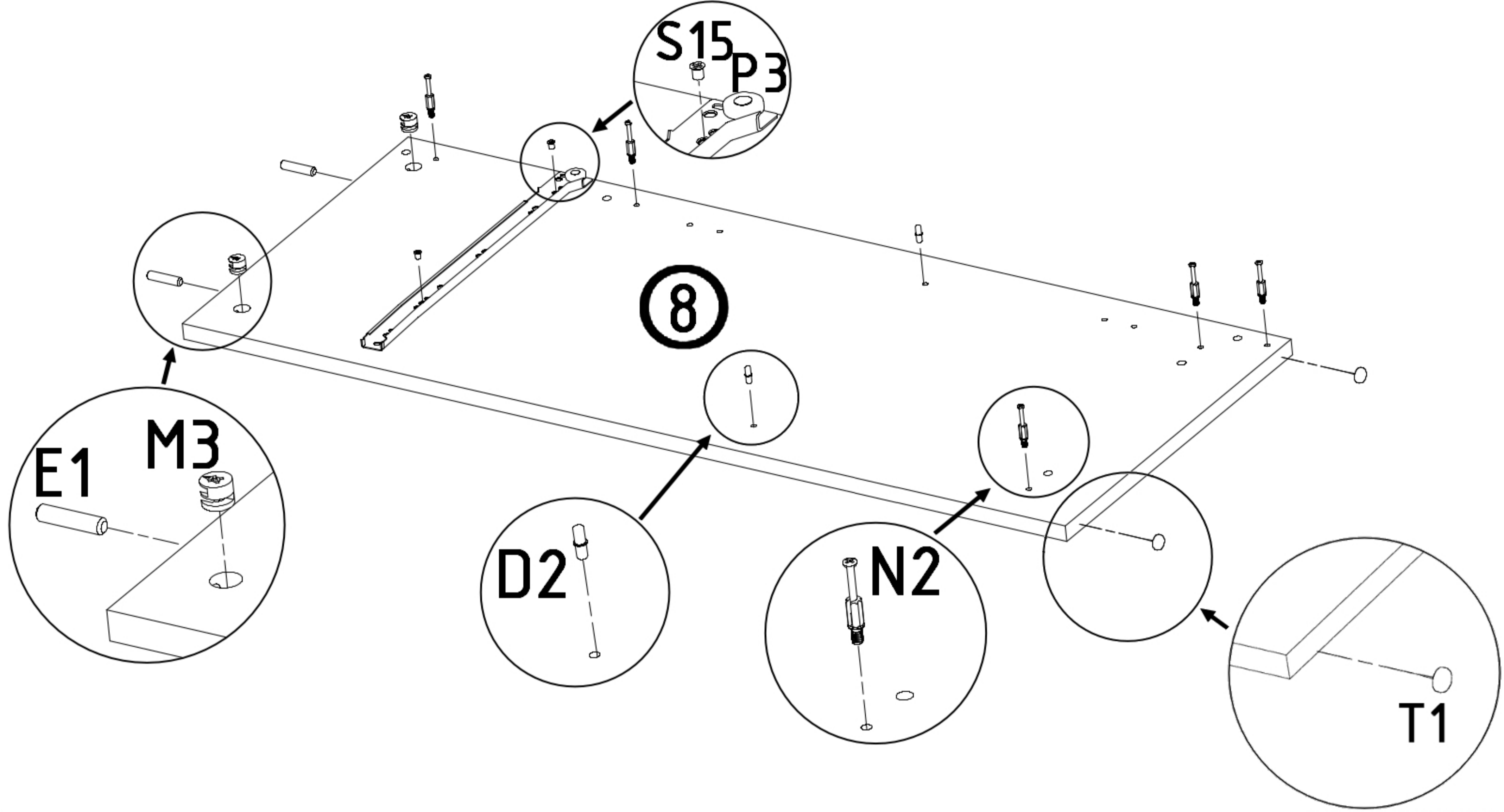
4


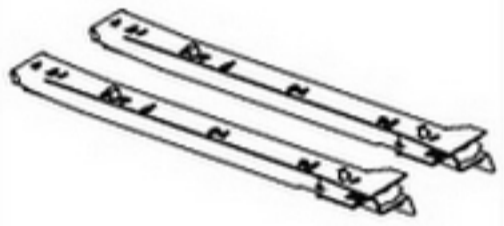





E1  x 4	M3  x 4
---	--

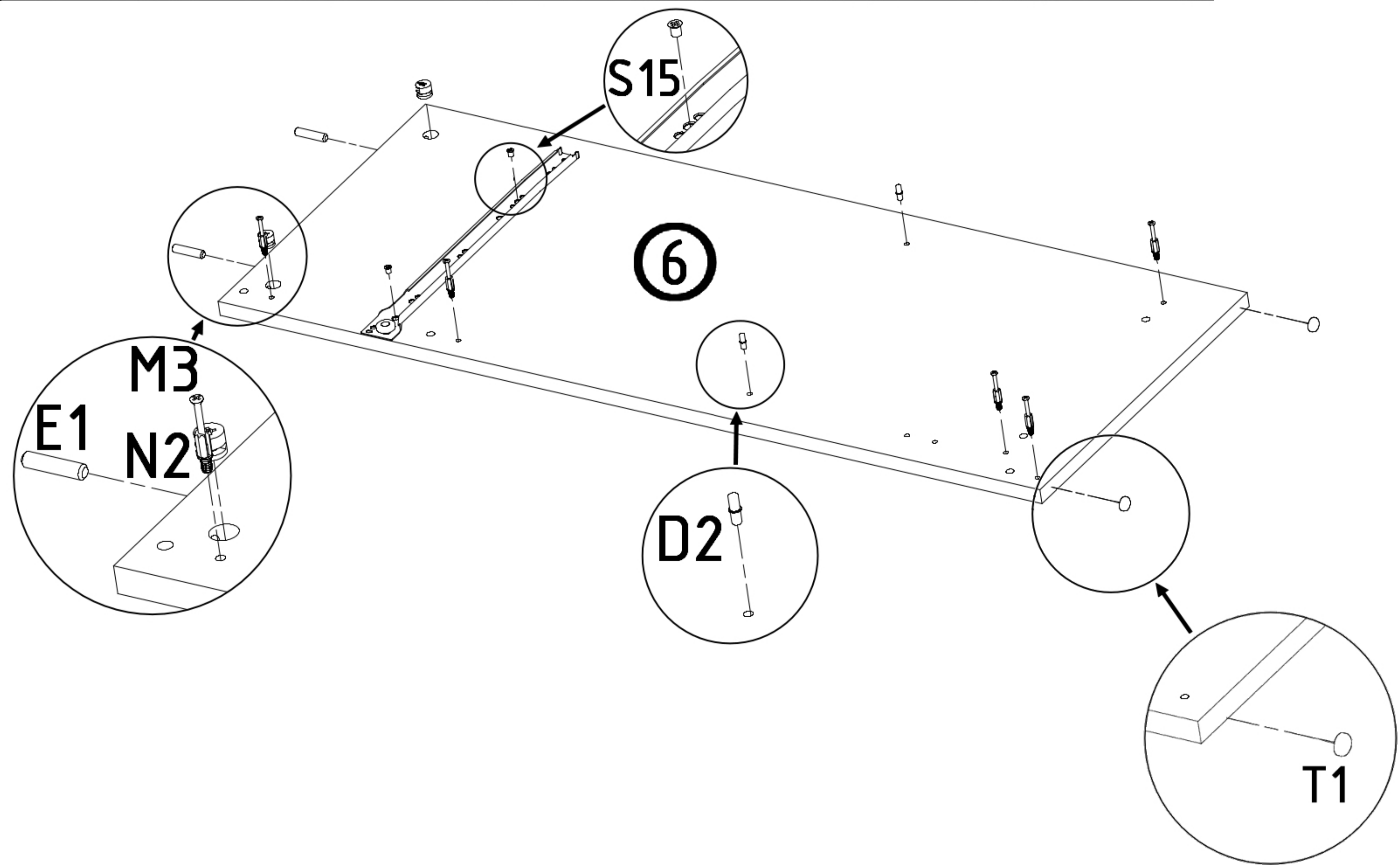






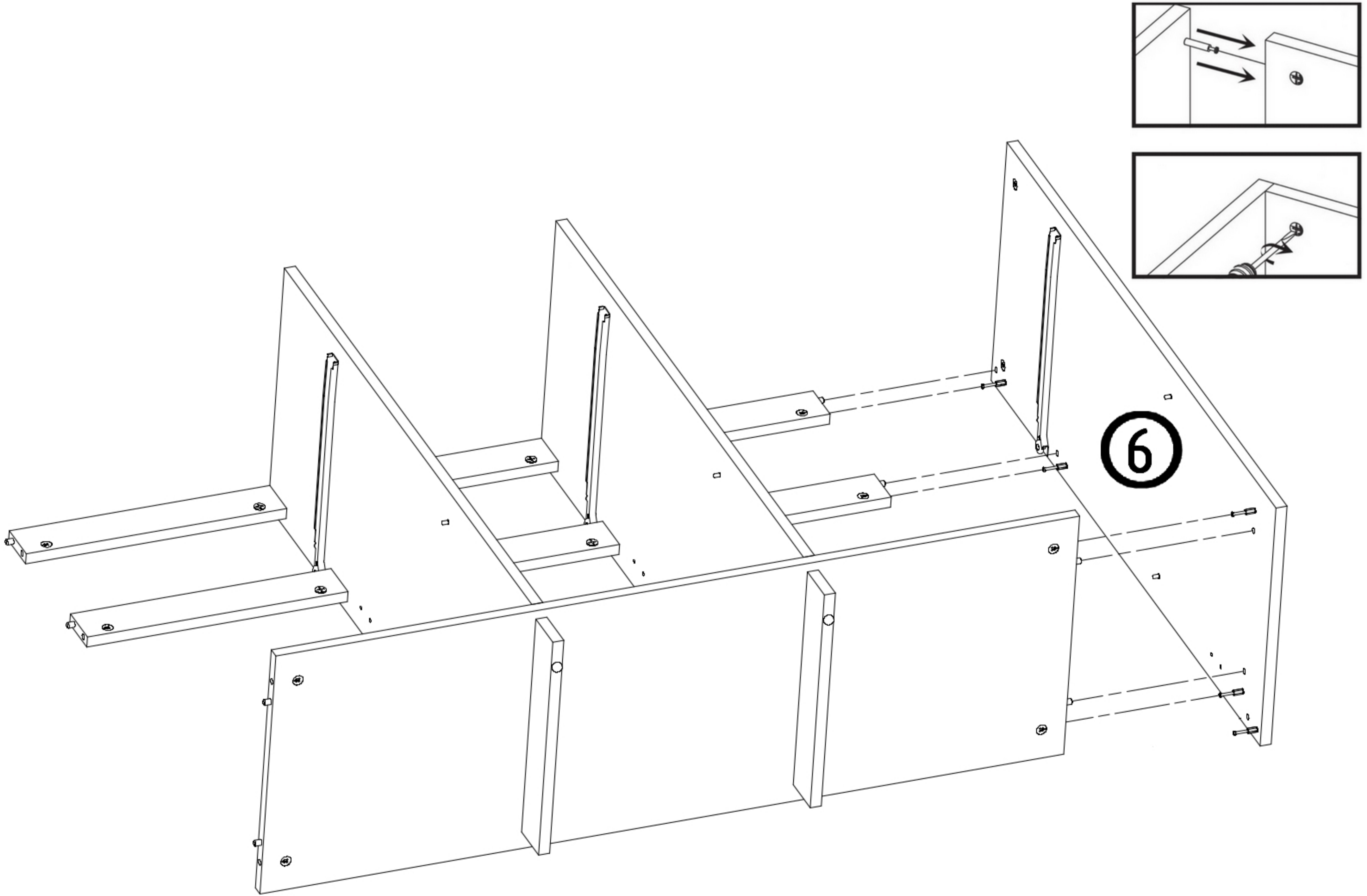
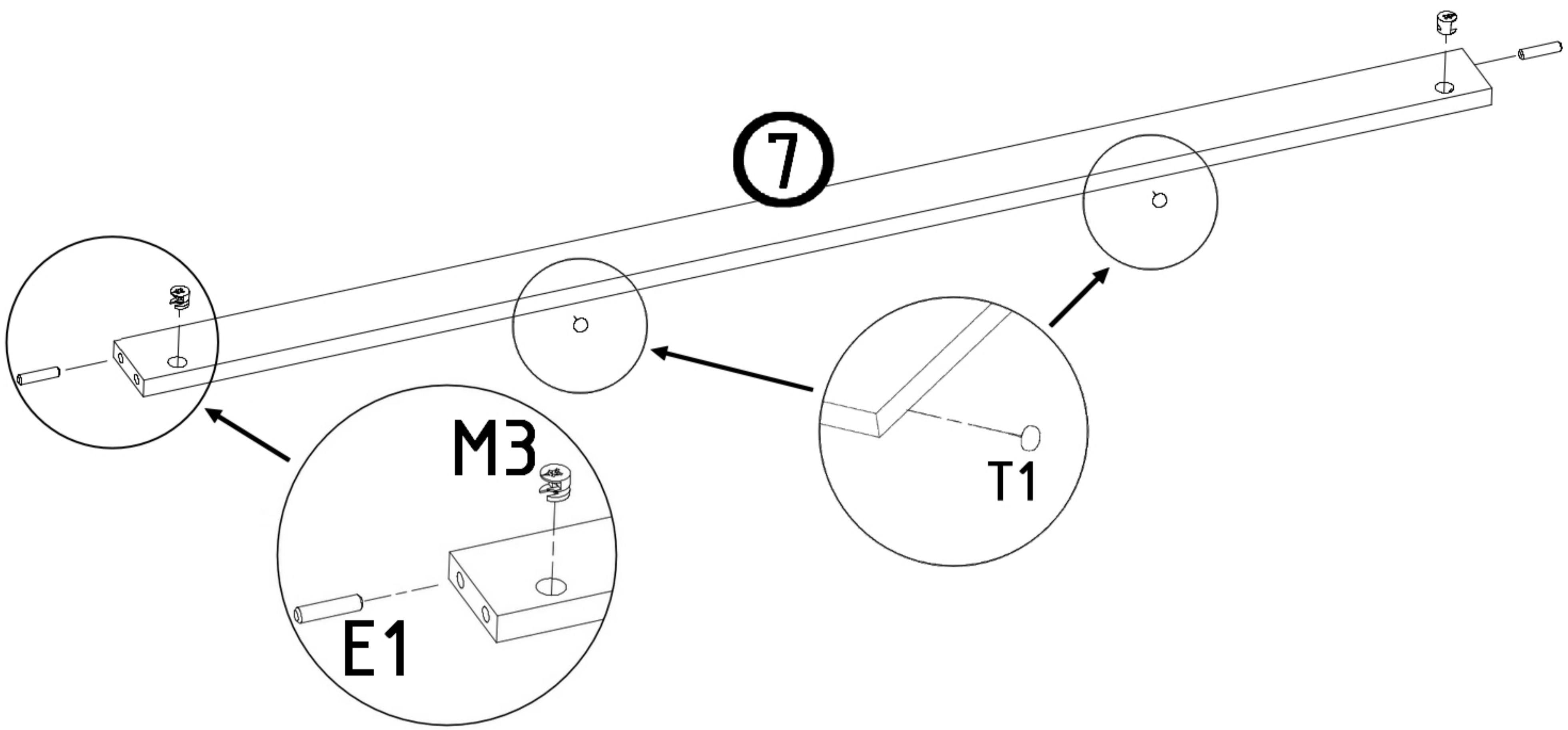
D2  x 2	M3  x 2	P3  x 1	S15  x 2	E1  x 2	N2  x 5	T1  x 2
---	---	---	--	---	---	---



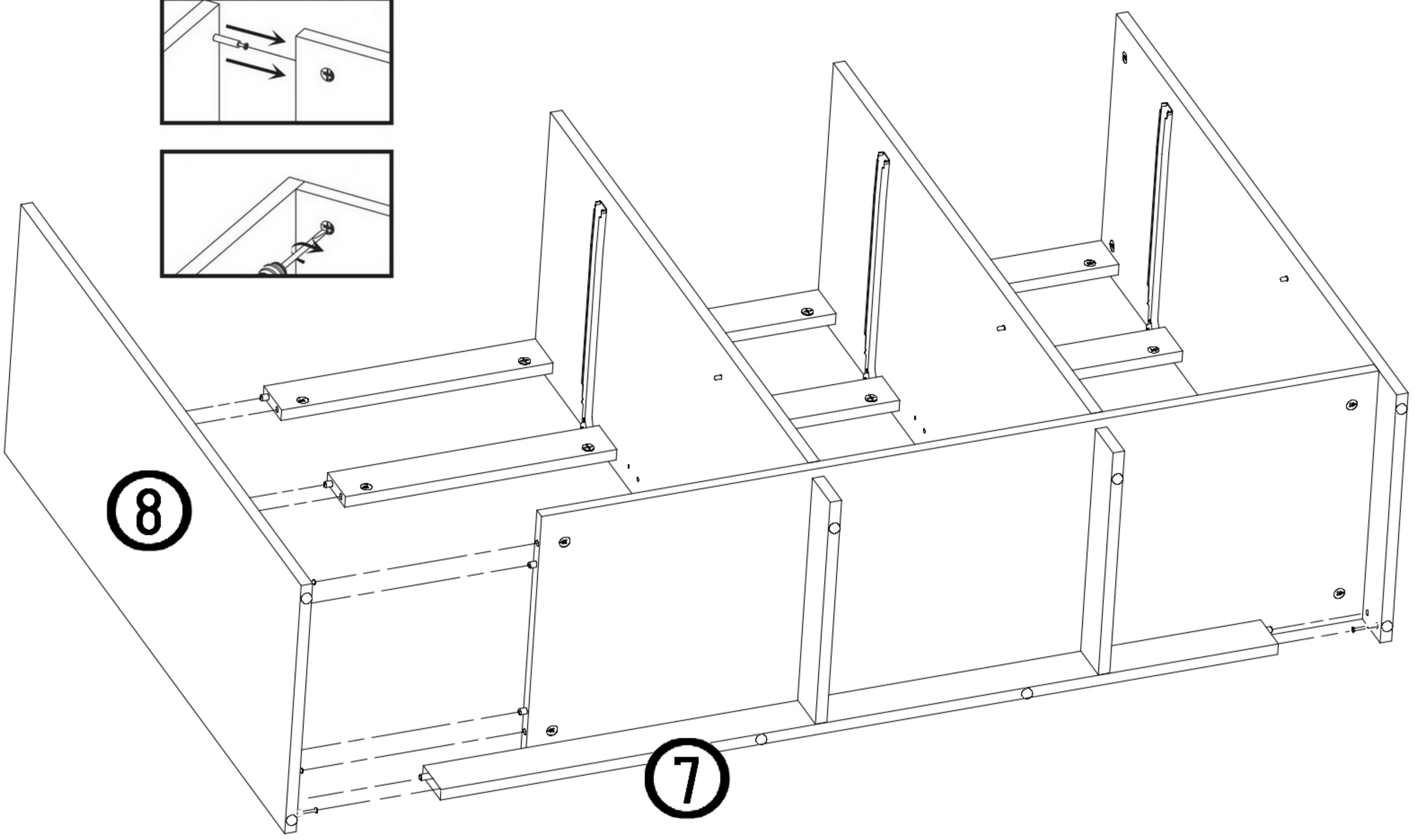
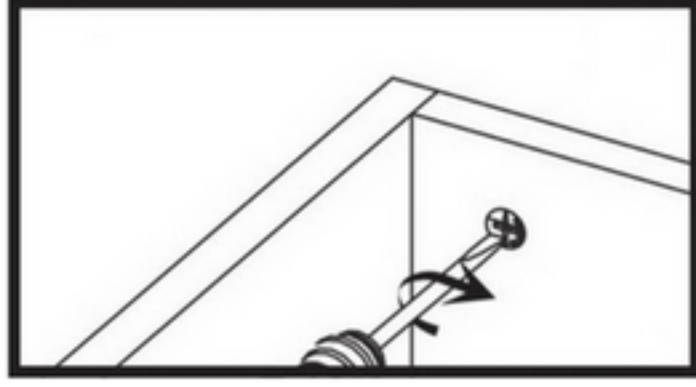
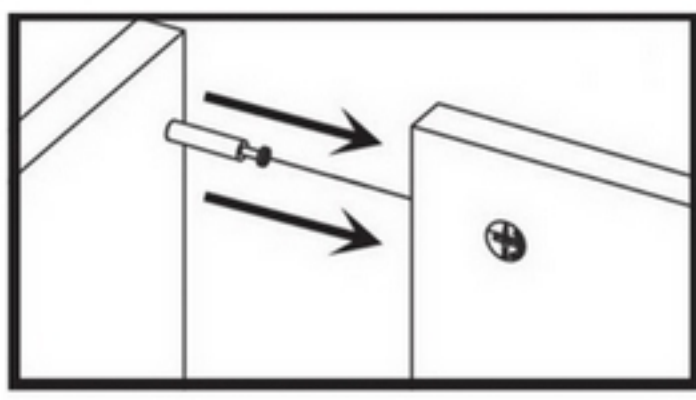
D2  x 2	P3  x 1	S15  x 2	E1  x 2	M3  x 2	N2  x 5	T1  x 2
---	---	--	---	---	---	---



E1  x 2	M3  x 2	T1  x 2
--	---	---



8



8

7

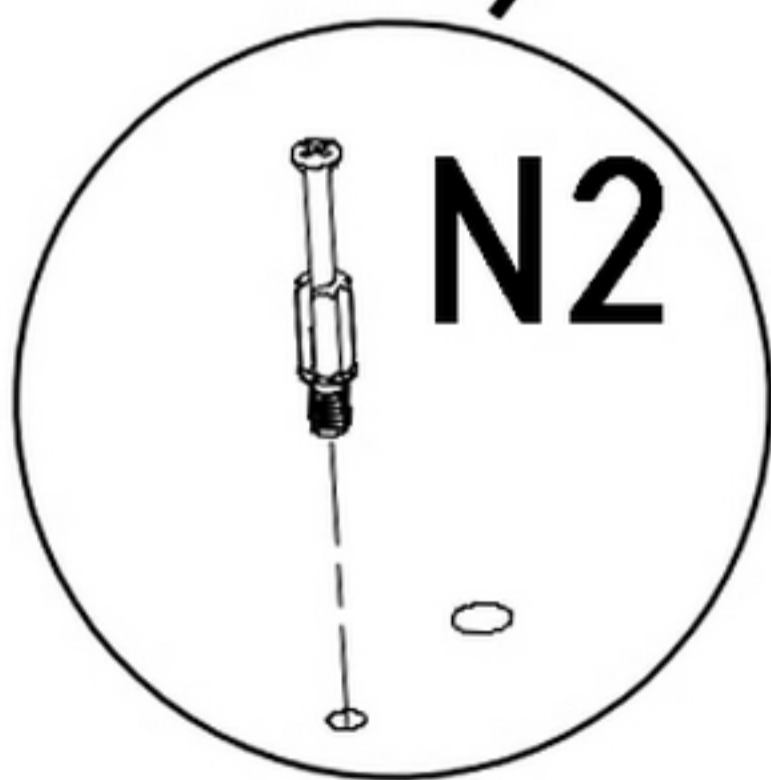
N2



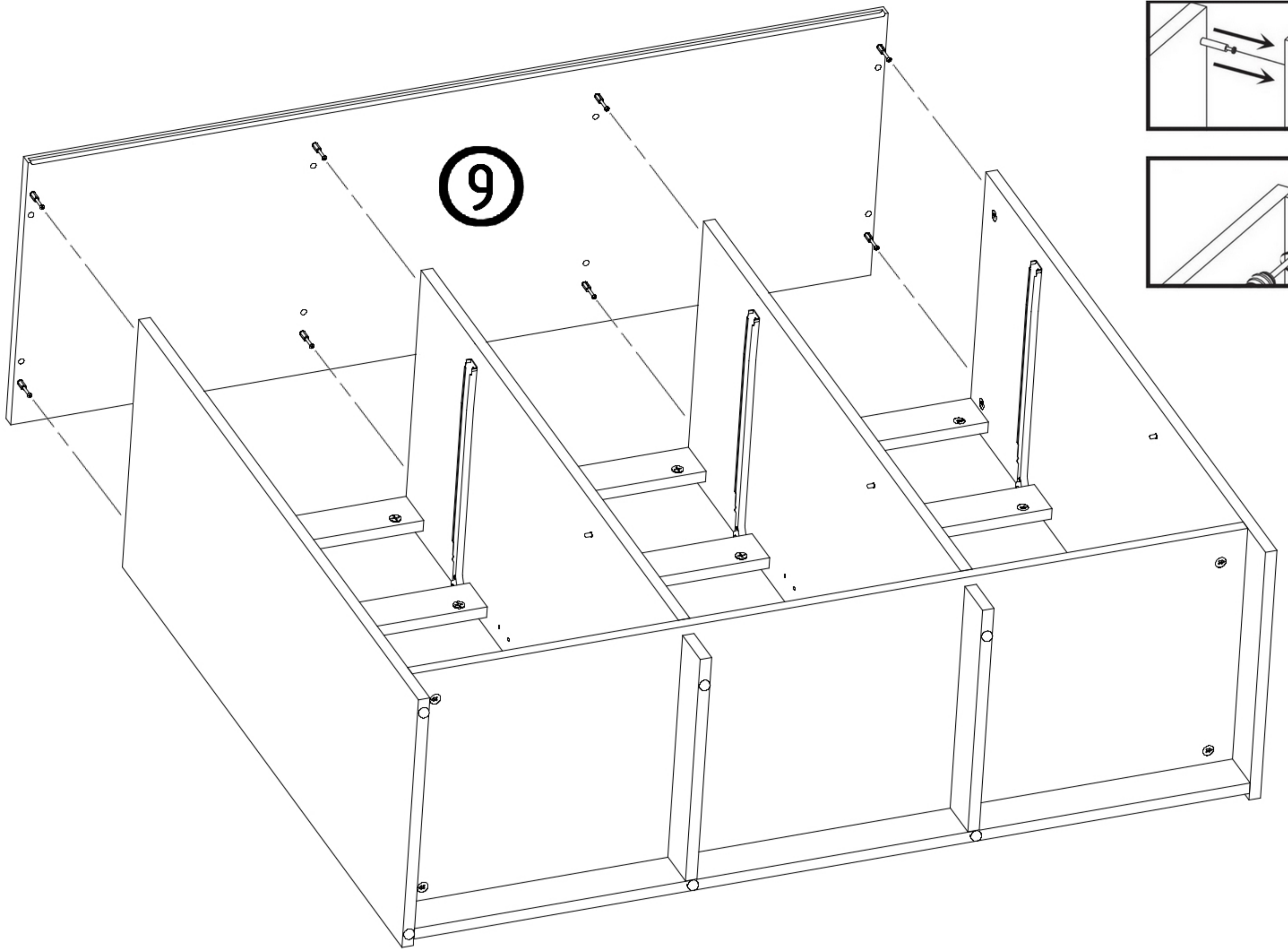
x 8






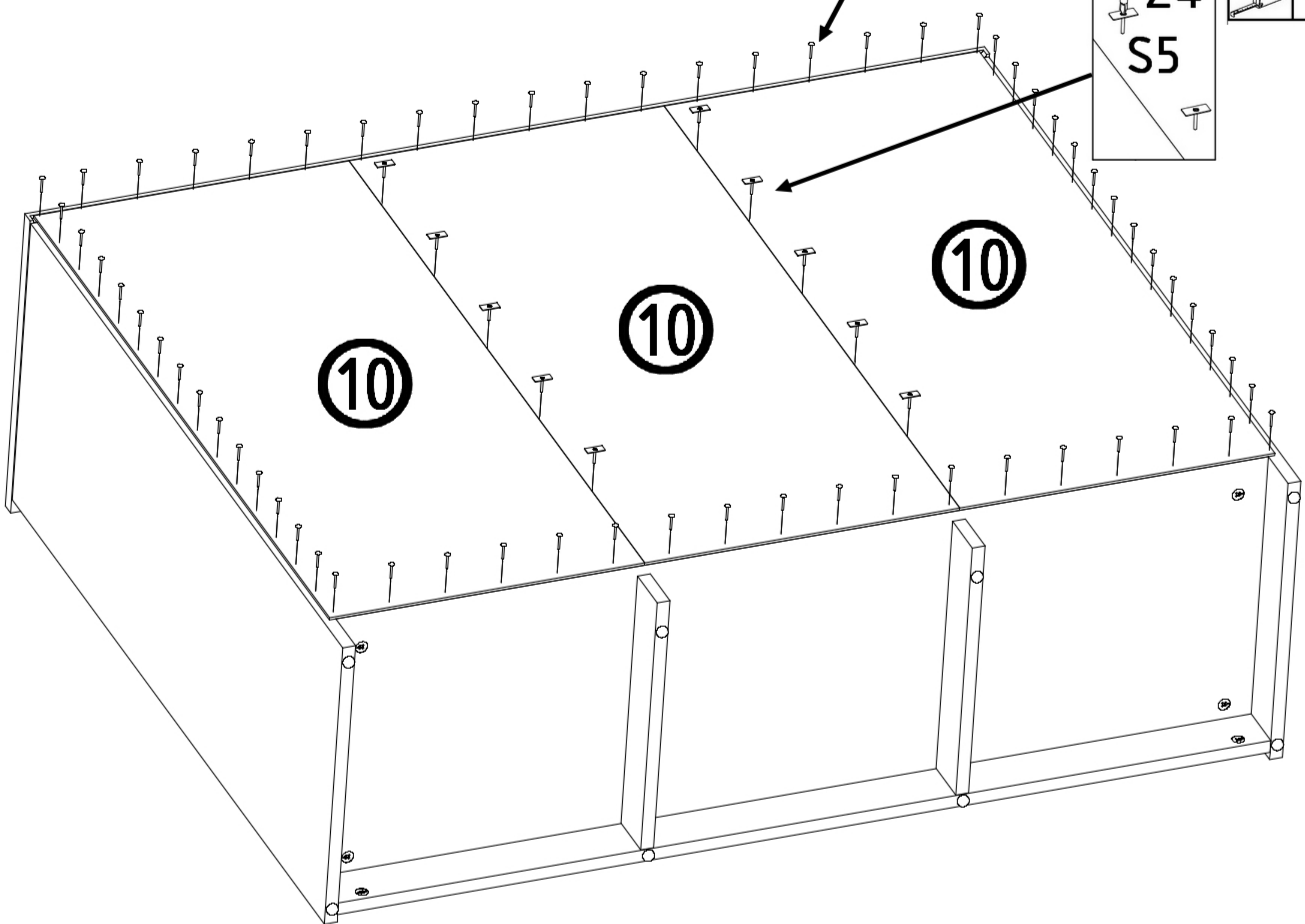
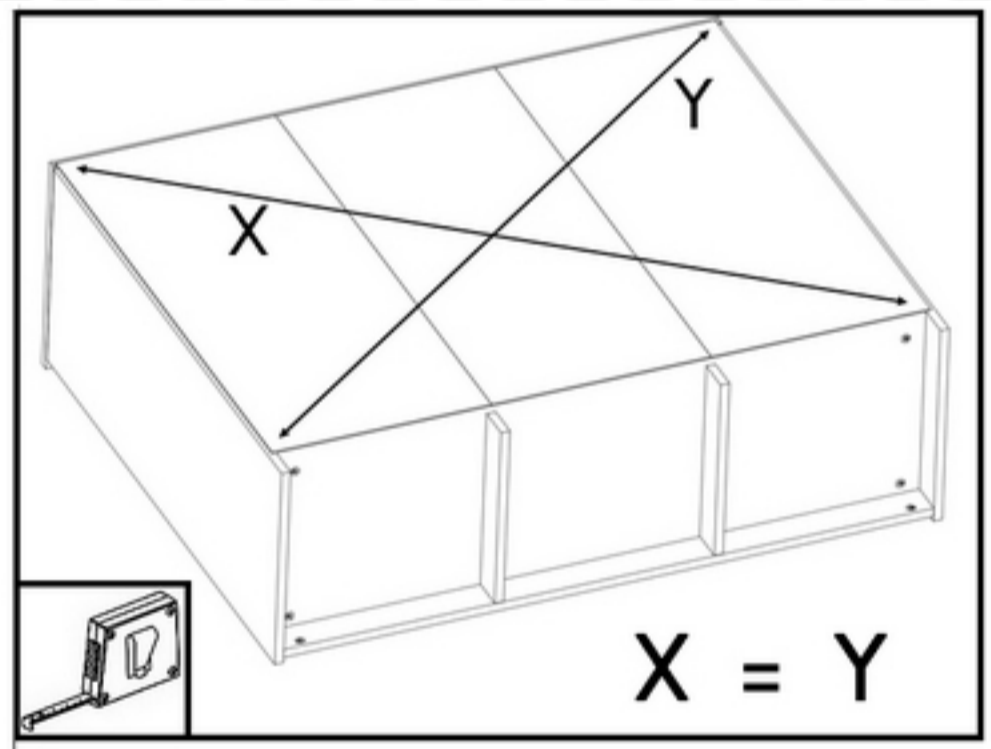
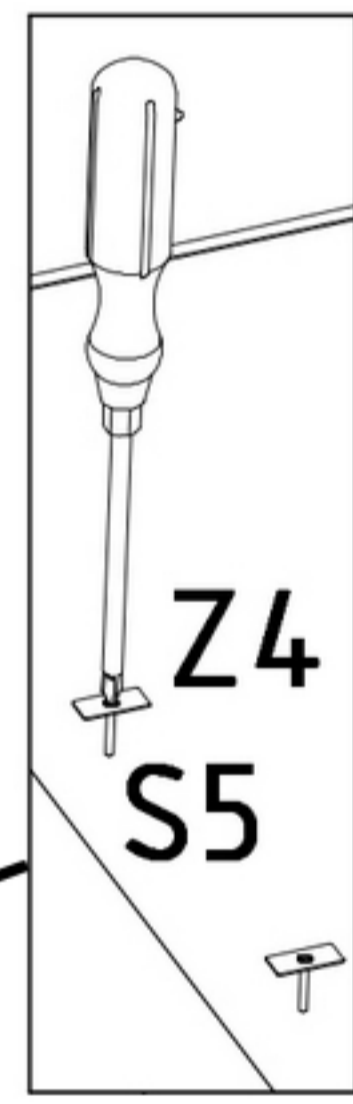
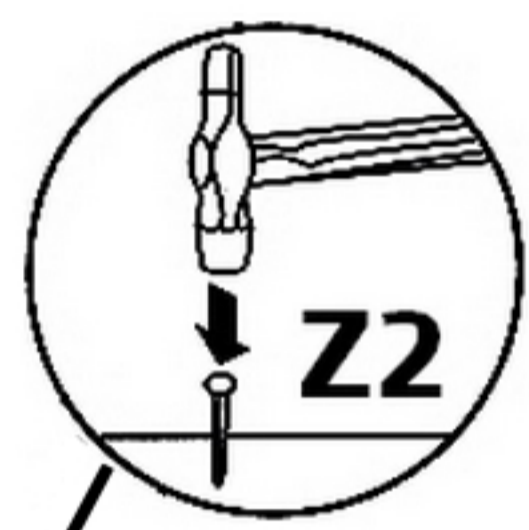
9



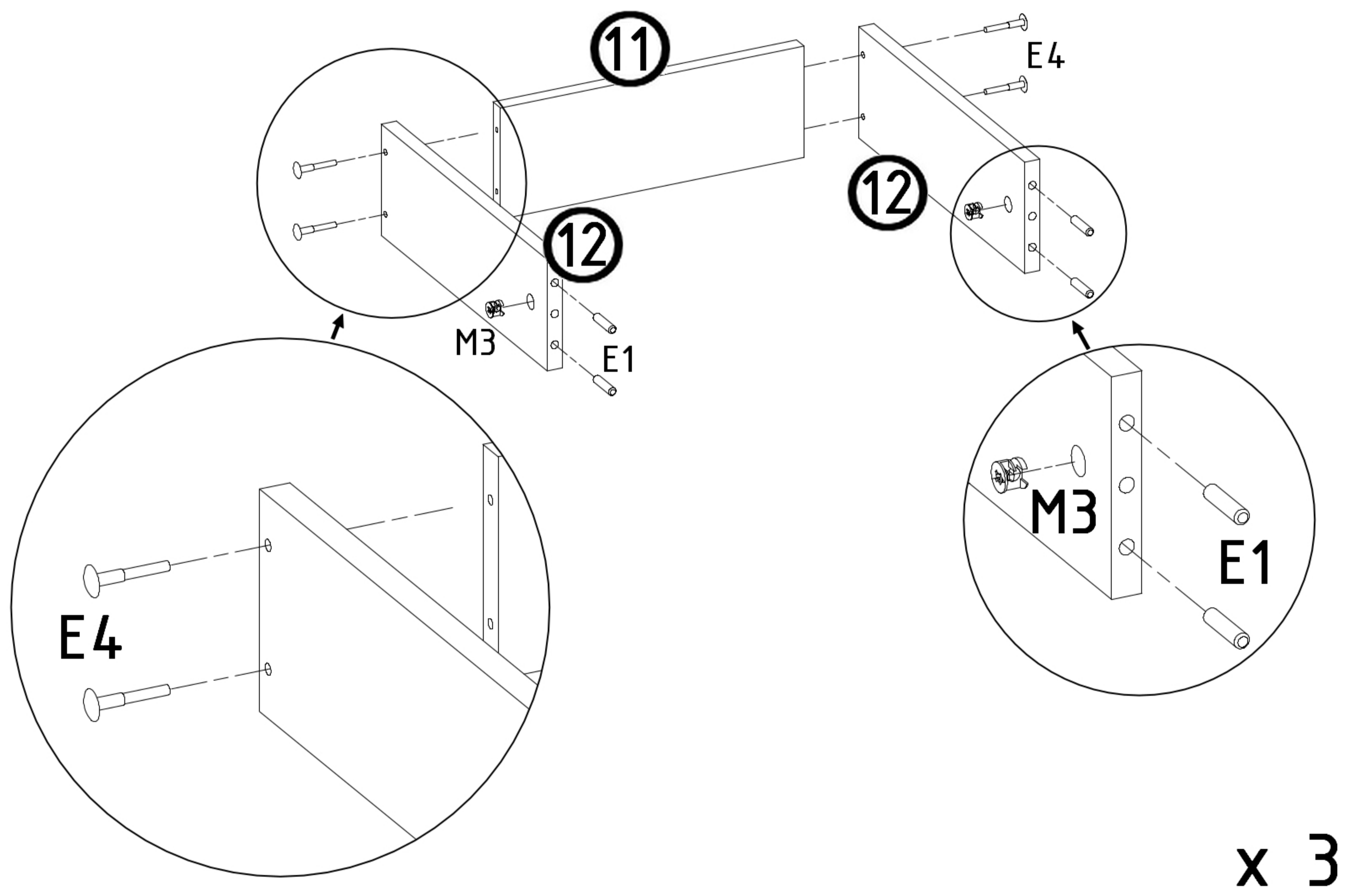
N2



S5  x 10	Z4  x 10	Z2  x 65
--	--	--

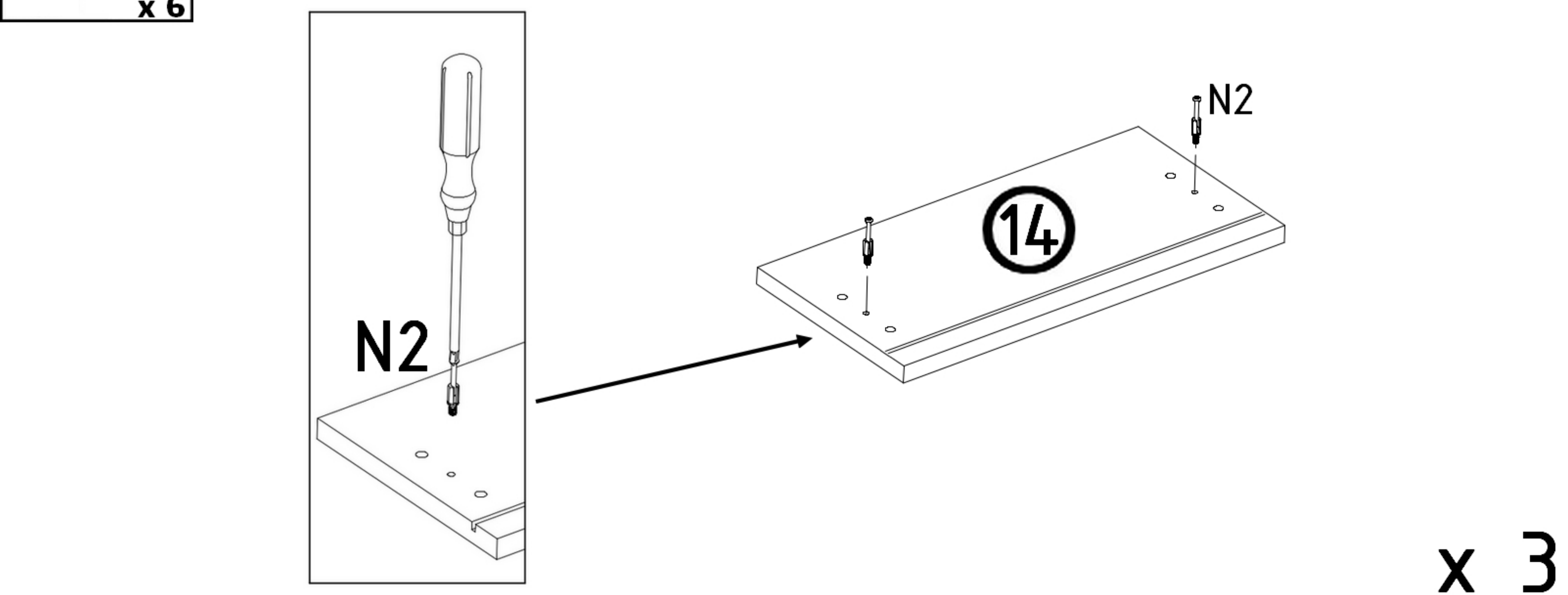


E1  x 12	M3  x 6	E4  x 12
---	---	--

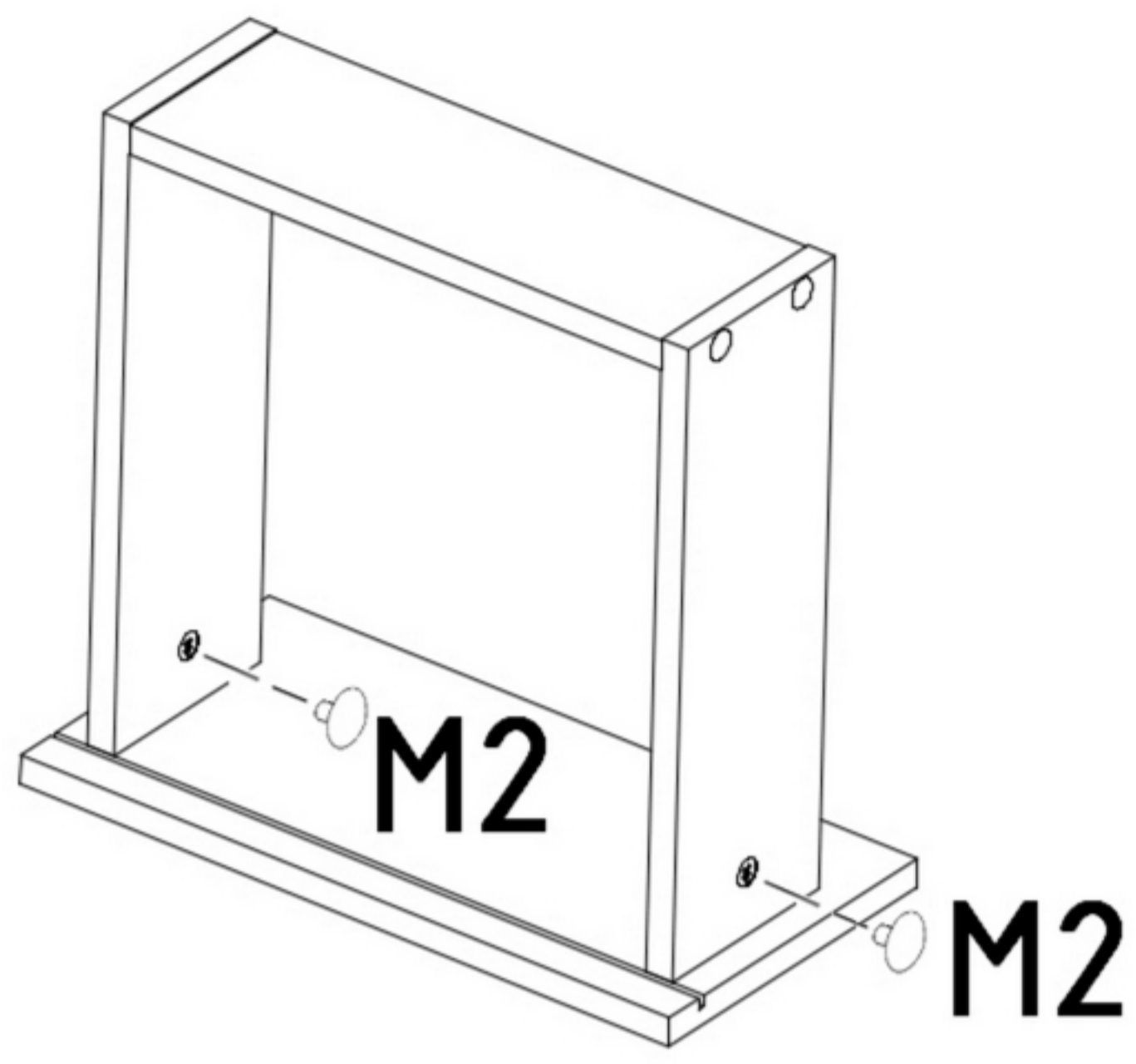
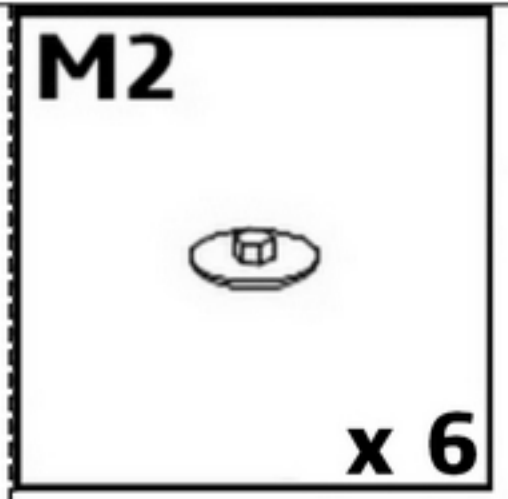
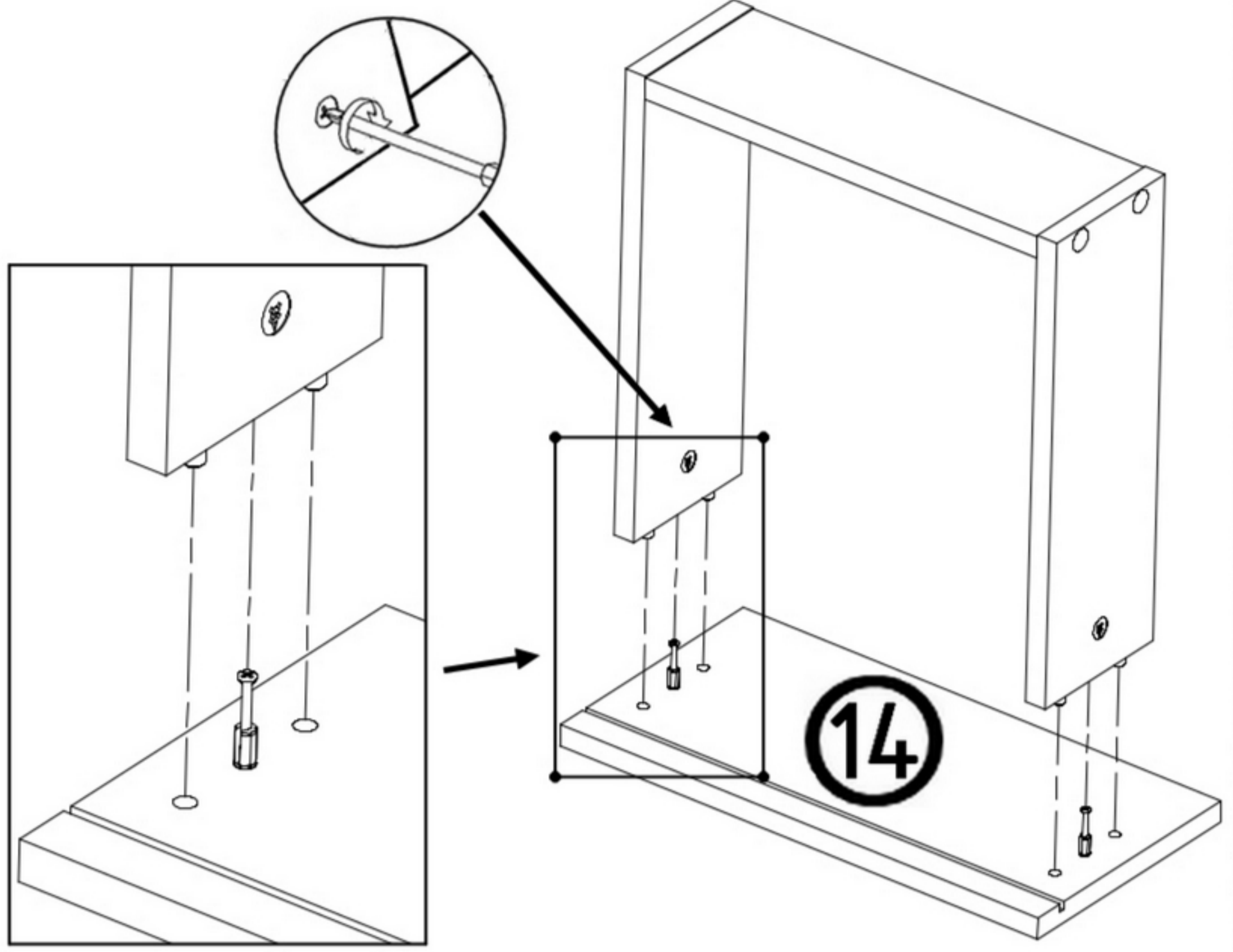


x 3

N2  x 6
--

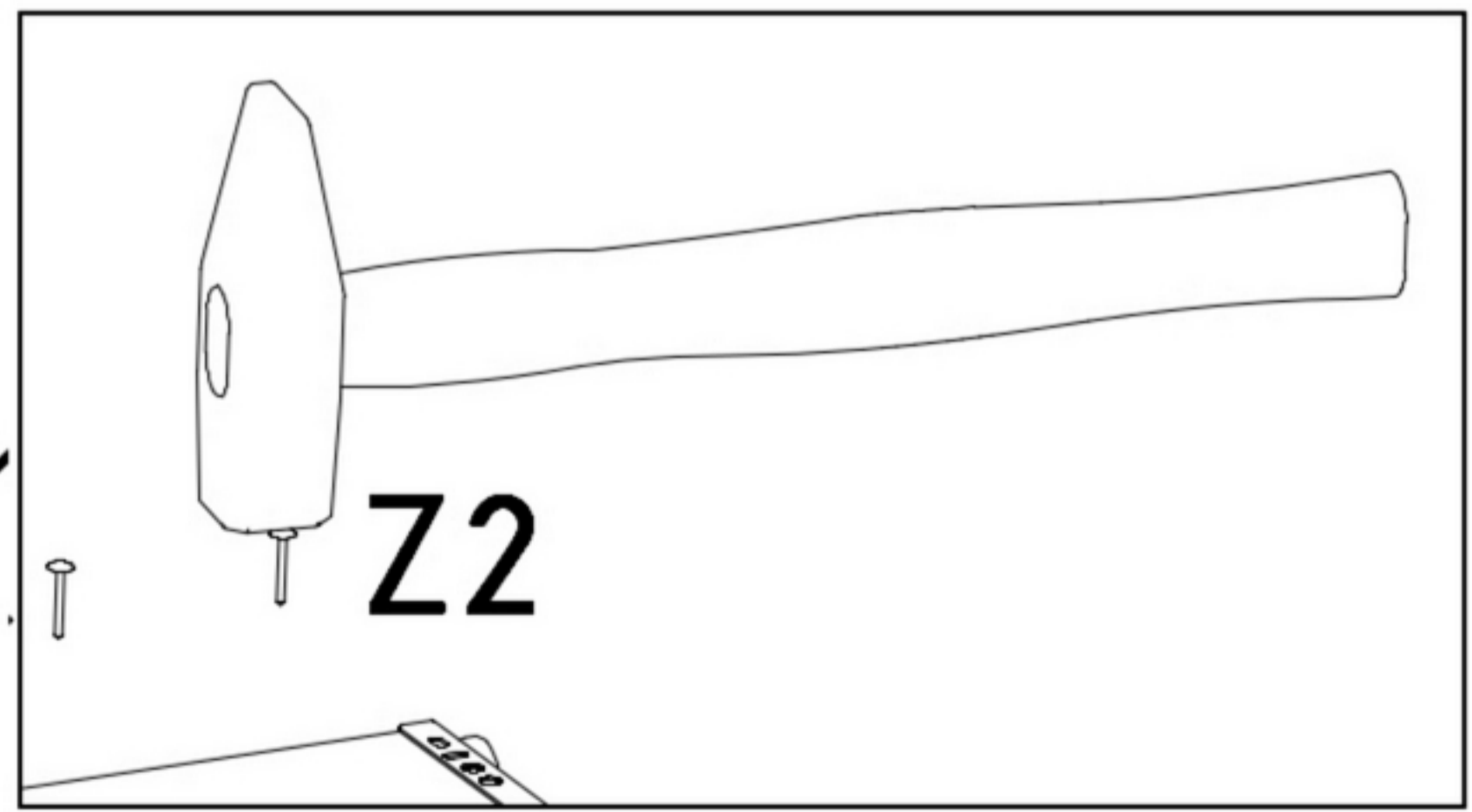
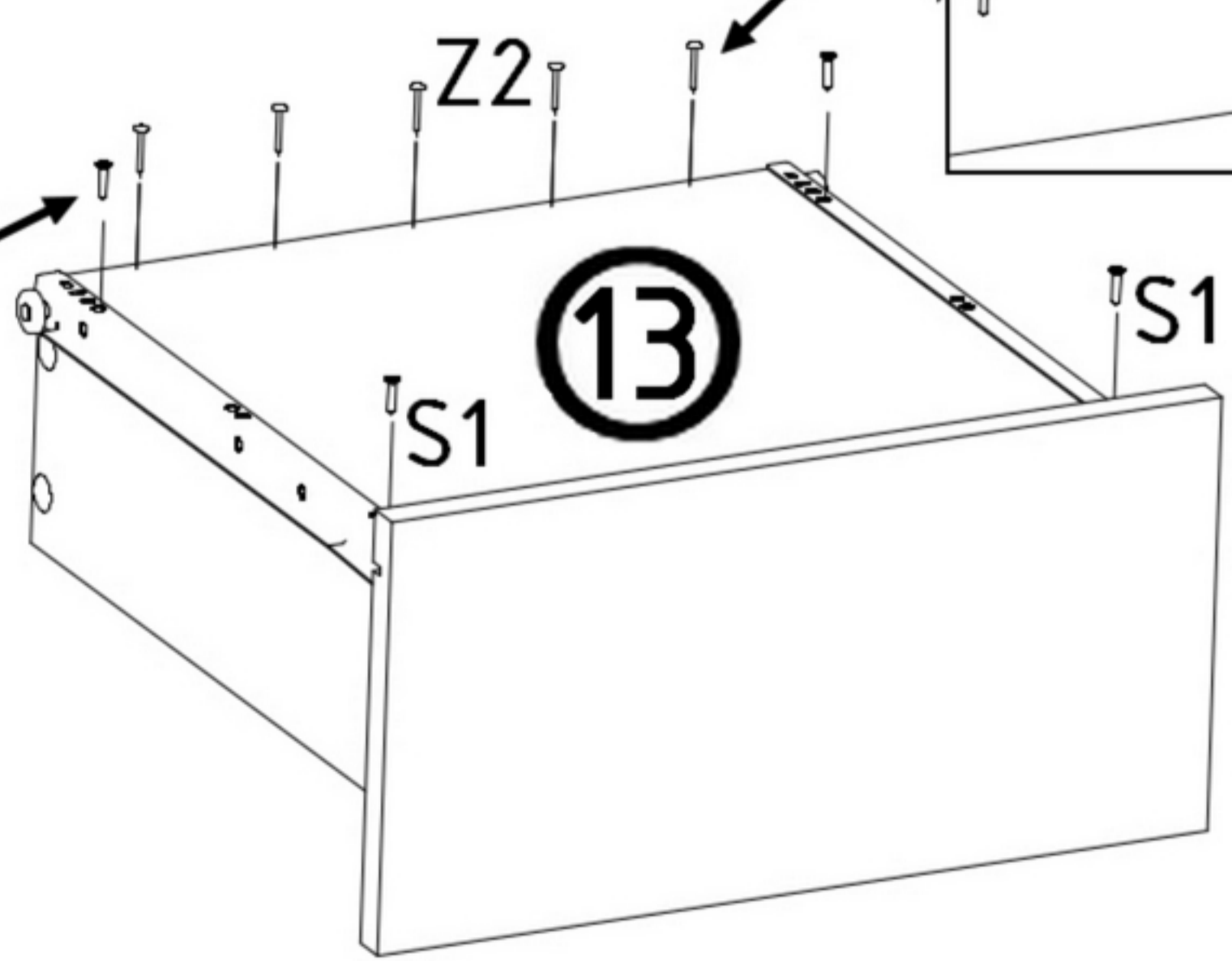
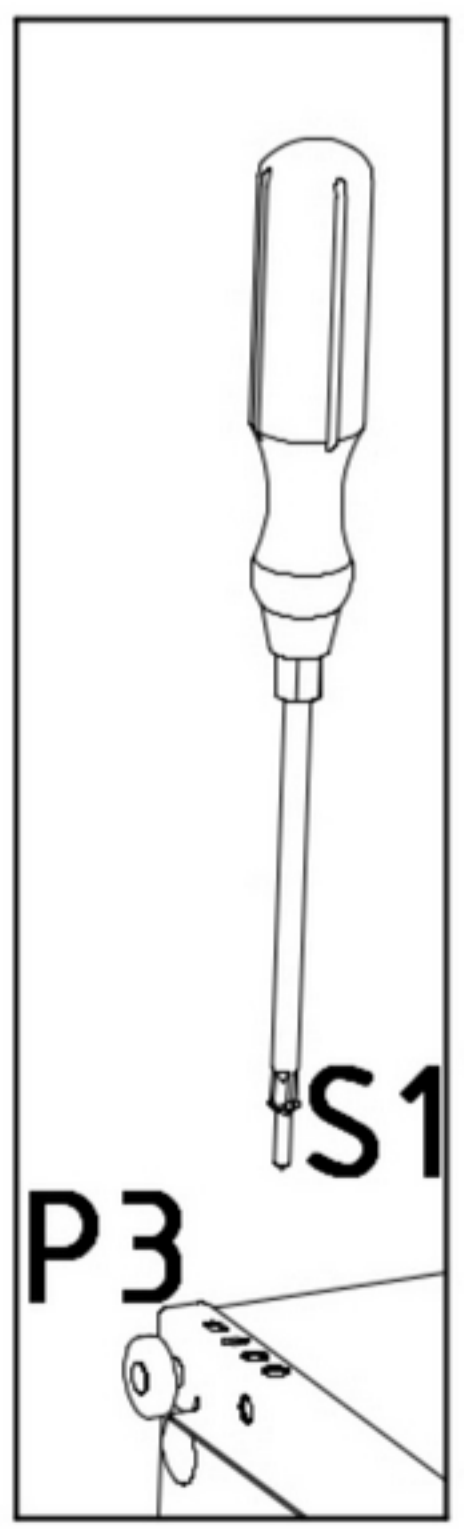
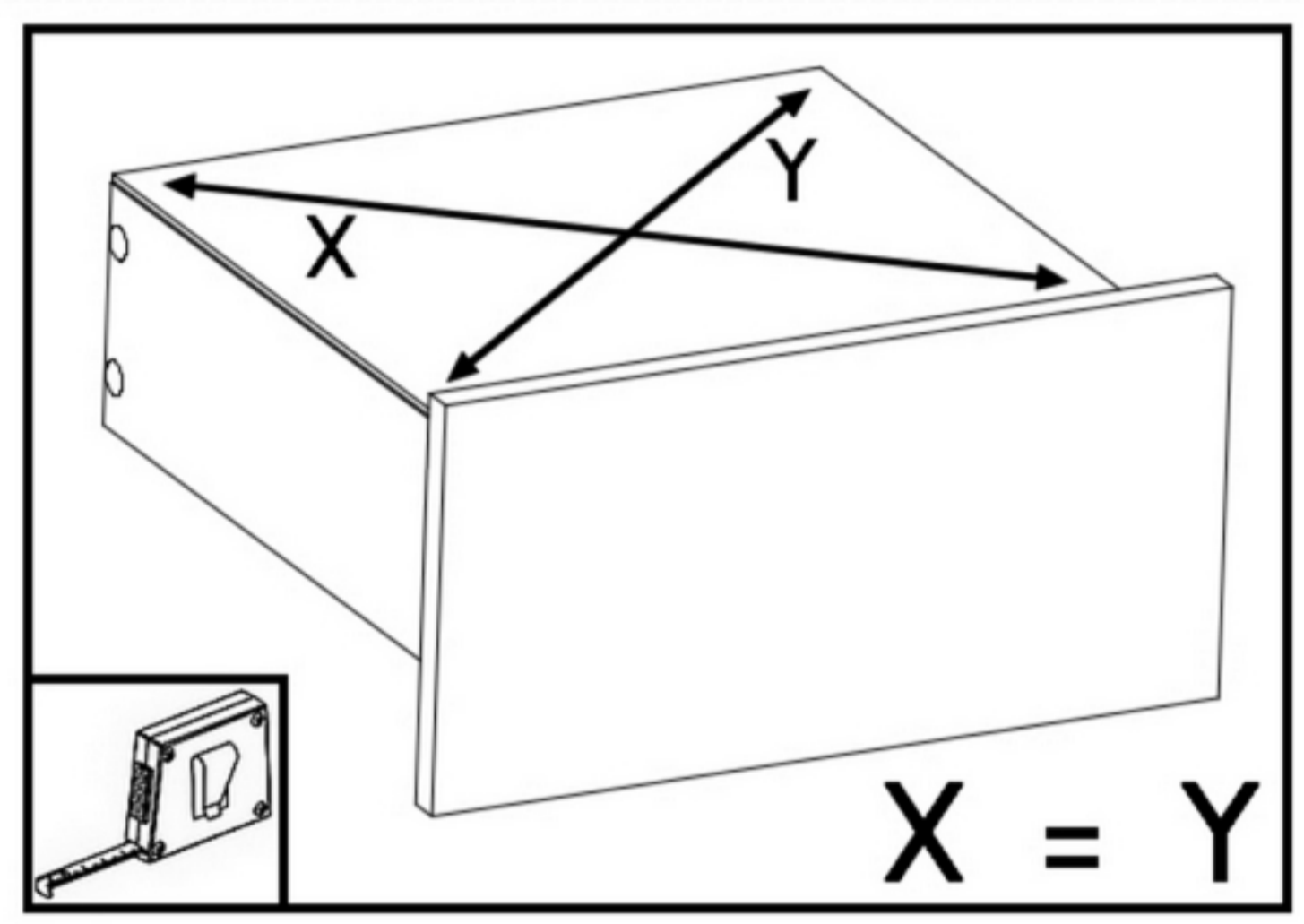
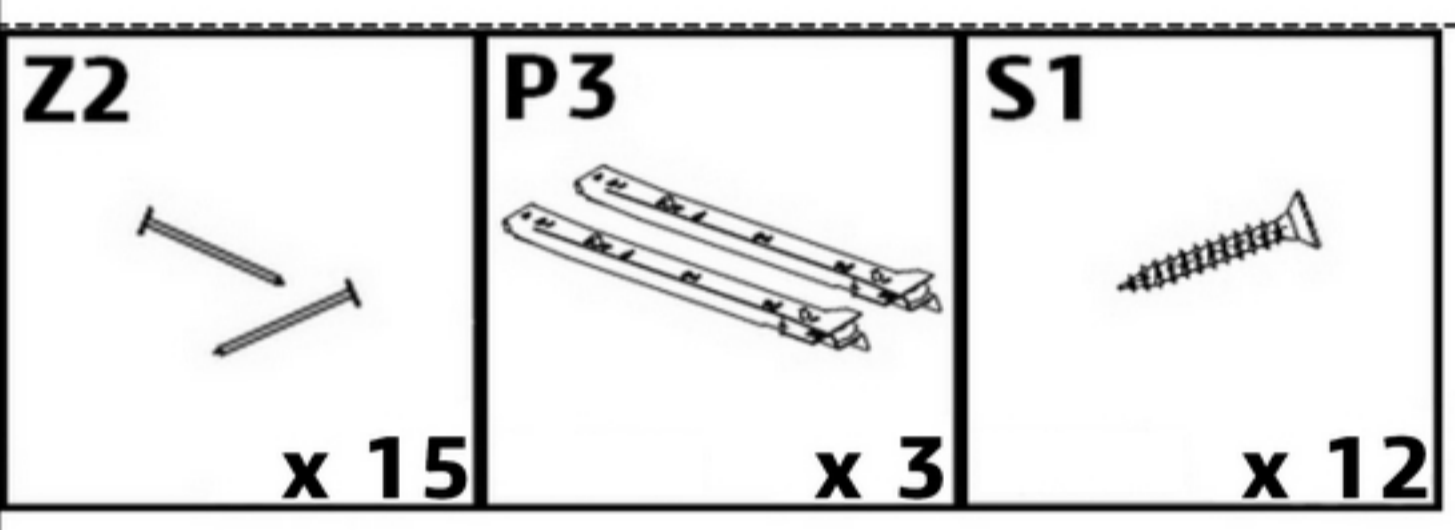


x 3


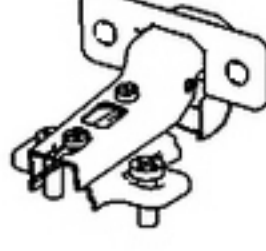


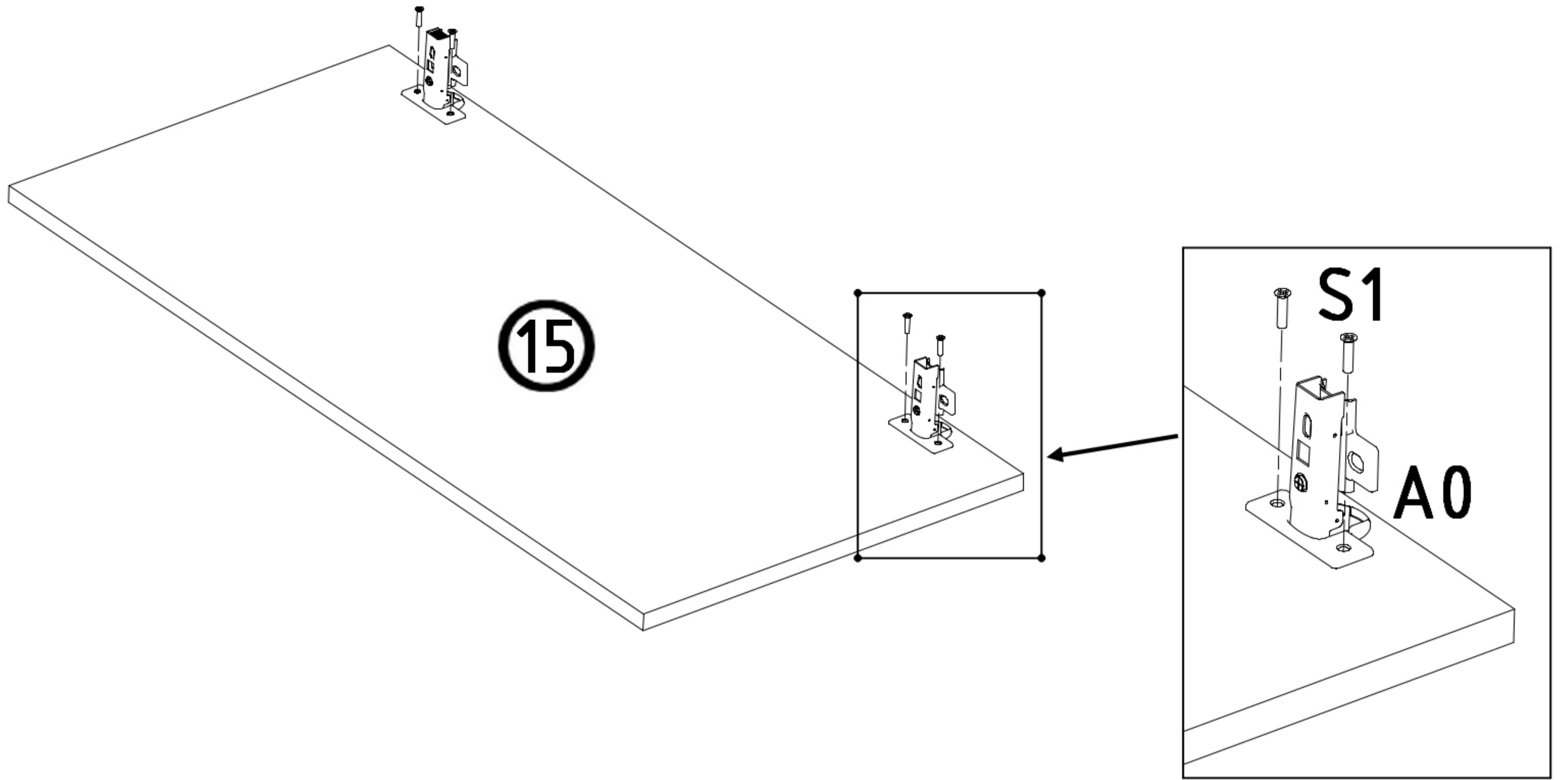
x 3

x 3



x 3

S1  x 12	A0  x 6
---	--



x 3

