

ASSEMBLY INSTRUCTION



This instruction booklet contains important safety information, please read and keep for future reference.

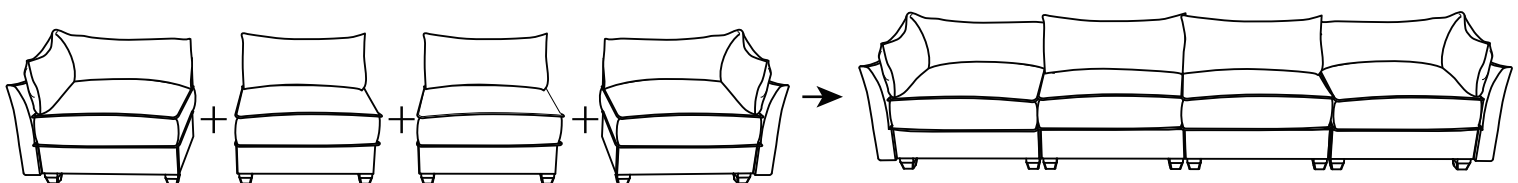
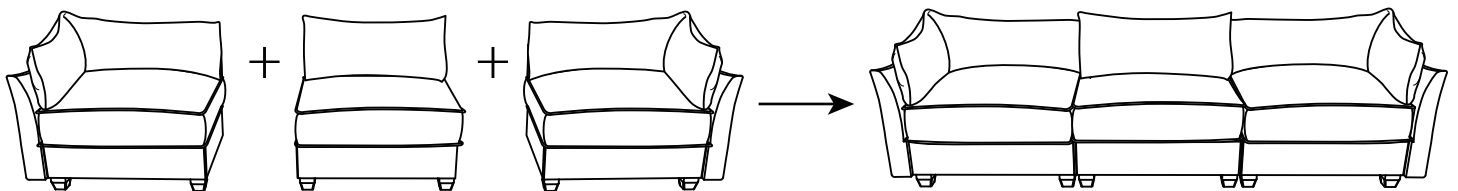
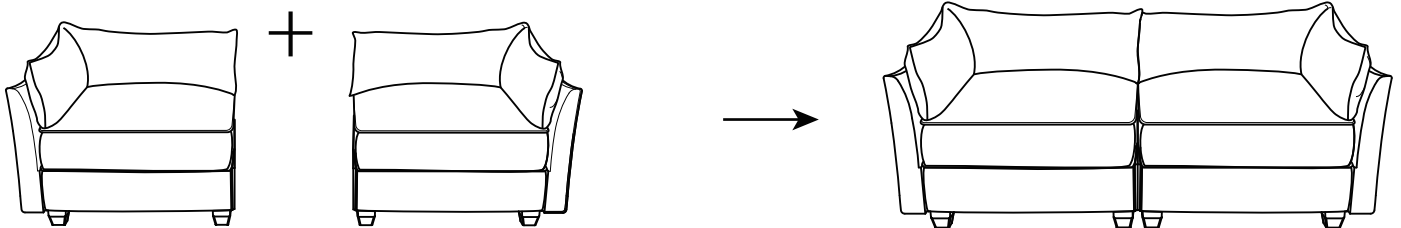
This sofa collection can work as modular sofa function, you can buy different section of the sofa such as armrest sets, armless middle seat, and ottoman to build it as 2-seater sofa, 3-seater sofa, 4-seater sofa, L shape sectional sofa, U shape sofa and sofa sets.

Measure your living room size before you make a decision to buy more components to ensure all sofa section are well fit your living room area. You can decide to buy more components according to your living room size.

To ensure safe and satisfactory use of this product, please carefully read the below instructions beforehand.



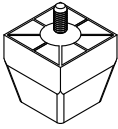
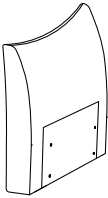
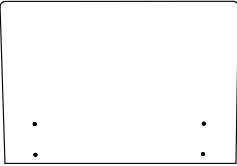
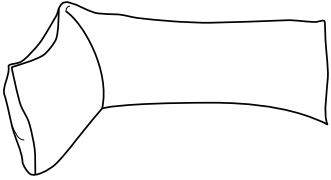
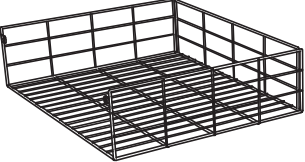

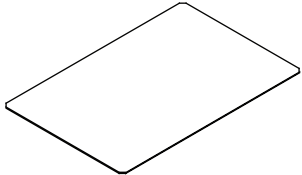






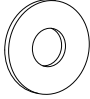
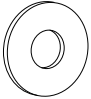

1. This sofa ships in several boxes, we recommend unpacking and starting assembly when several boxes are received.
2. Our cushions are vacuum packed for convenient shipping. Please allow 2-3 days for them to fully expand to their original shape and for any wrinkles to disappear.
3. In the event that a part is damaged or missing, no need to return the product, we will gladly help and ship your replacement parts free of charge.

Below are some guidelines for you how you can do mix and match.





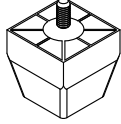
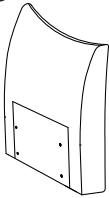
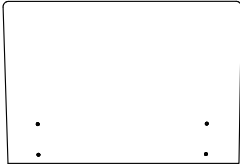
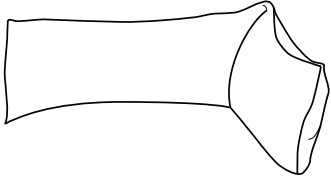
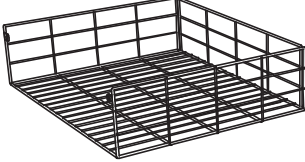

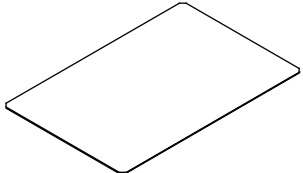






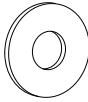
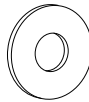

IF YOU BUY 2 SEATER SOFA
please follow below assembly instruction

Parts List (Box 1)

- | | | | | |
|--|---|--|--|---|
| <p>A</p> <p>Seat frame</p>  <p>1PC</p> | <p>B</p> <p>Seat cushion</p>  <p>1PC</p> | <p>C</p> <p>Leg</p>  <p>4PCS</p> | | |
| <p>F</p> <p>Left armrest</p>  <p>1PC</p> | <p>H</p> <p>Backrest</p>  <p>1PC</p> | <p>I</p> <p>Left back cushion</p>  <p>1PC</p> | | |
| <p>K</p> <p>Drawer</p>  <p>1PC</p> | <p>L</p> <p>Drawer front panel</p>  <p>1PC</p> | <p>M</p> <p>Drawer bottom panel</p>  <p>1PC</p> | | |
| <p>P</p> <p>M8X80MM Bolt</p>  <p>4PCS</p> | <p>Q</p> <p>M8X50MM Bolt</p>  <p>8PCS</p> | <p>R</p> <p>M6X20MM Bolt</p>  <p>2PCS</p> | <p>U</p> <p>Allen key</p>  <p>1PC</p> | |
| <p>N</p> <p>Buckle</p>  <p>2PCS</p> | <p>O</p> <p>Castors</p>  <p>4PCS</p> | <p>S</p> <p>M8 Washer</p>  <p>16PCS</p> | <p>T</p> <p>M6 Washer</p>  <p>2PCS</p> | <p>V</p> <p>Butterfly nut</p>  <p>4PCS</p> |

IF YOU BUY 2 SEATER SOFA
please follow below assembly instruction

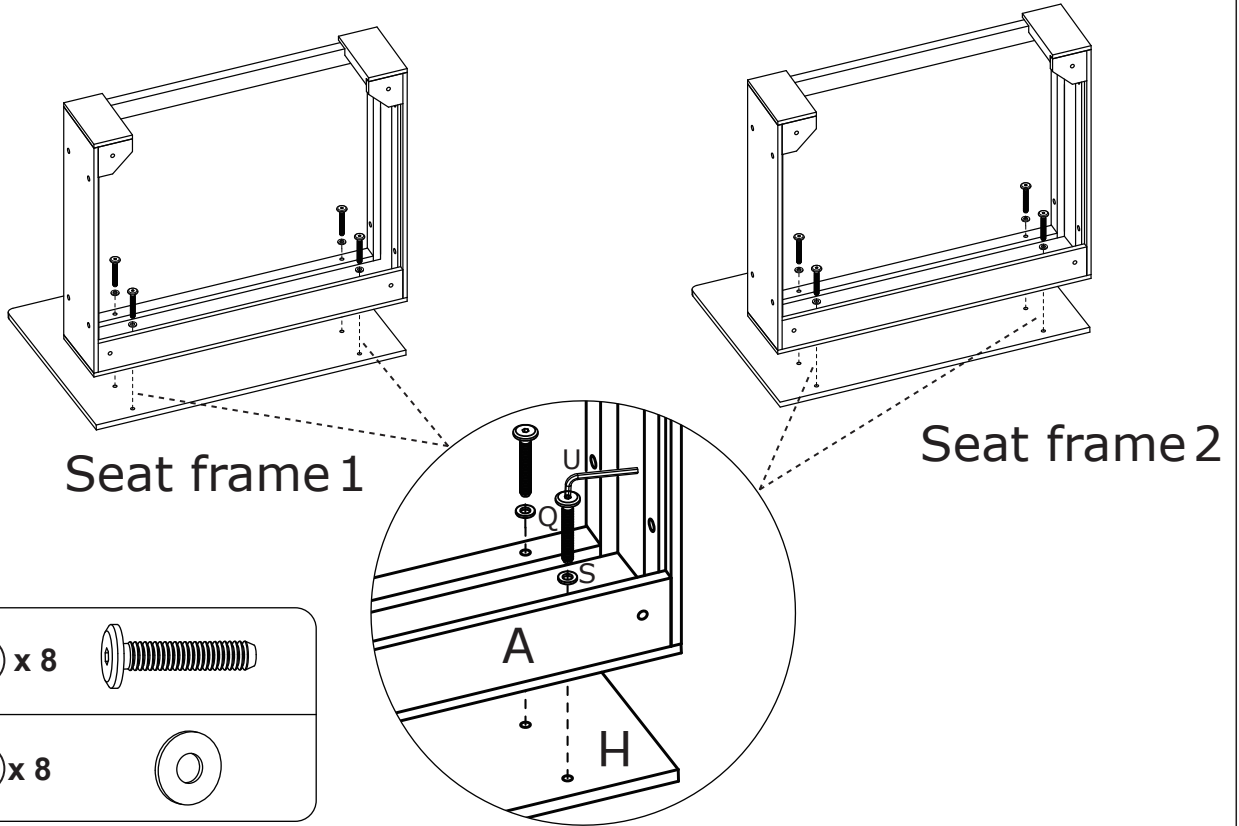
Parts List (Box 2)

<p>A</p> <p>Seat frame</p>  <p>1PC</p>	<p>B</p> <p>Seat cushion</p>  <p>1PC</p>	<p>C</p> <p>Leg</p>  <p>4PCS</p>		
<p>G</p> <p>Right armrest</p>  <p>1PC</p>	<p>H</p> <p>Backrest</p>  <p>1PC</p>	<p>J</p> <p>Right back cushion</p>  <p>1PC</p>		
<p>K</p> <p>Drawer</p>  <p>1PC</p>	<p>L</p> <p>Drawer front panel</p>  <p>1PC</p>	<p>M</p> <p>Drawer bottom panel</p>  <p>1PC</p>		
<p>P</p> <p>M8X80MM Bolt</p>  <p>4PCS</p>	<p>Q</p> <p>M8X50MM Bolt</p>  <p>8PCS</p>	<p>R</p> <p>M6X20MM Bolt</p>  <p>2PCS</p>	<p>U</p> <p>Allen key</p>  <p>1PC</p>	
<p>N</p> <p>Buckle</p>  <p>2PCS</p>	<p>O</p> <p>Castors</p>  <p>4PCS</p>	<p>S</p> <p>M8 Washer</p>  <p>16PCS</p>	<p>T</p> <p>M6 Washer</p>  <p>2PCS</p>	<p>V</p> <p>Butterfly nut</p>  <p>4PCS</p>

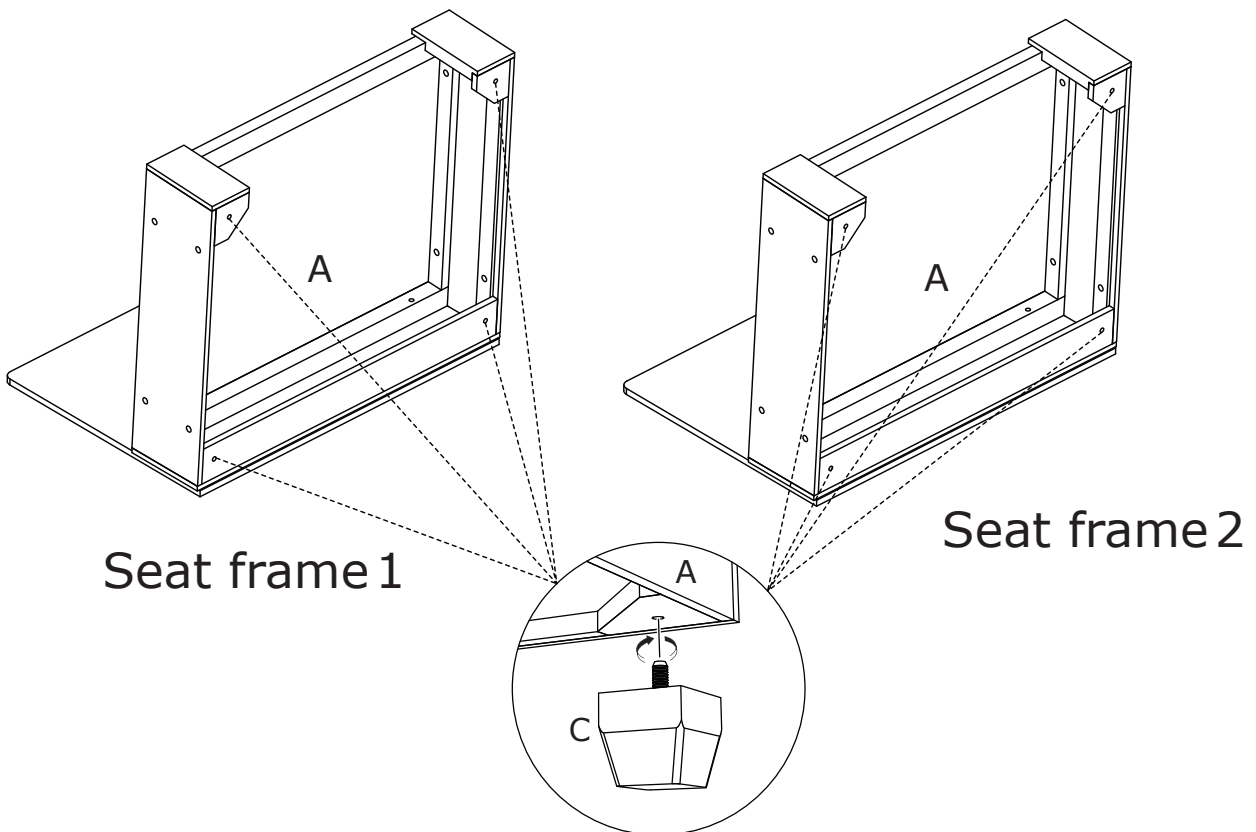
Note: Please retain all boxes until you are certain that your product isn't damaged and that you do not wish to return it. Disposal of boxes may prevent our ability to resolve your request.

ASSEMBLY STEPS

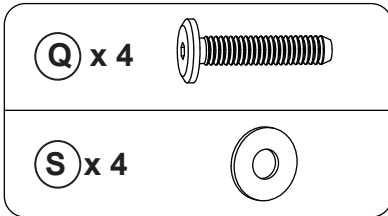
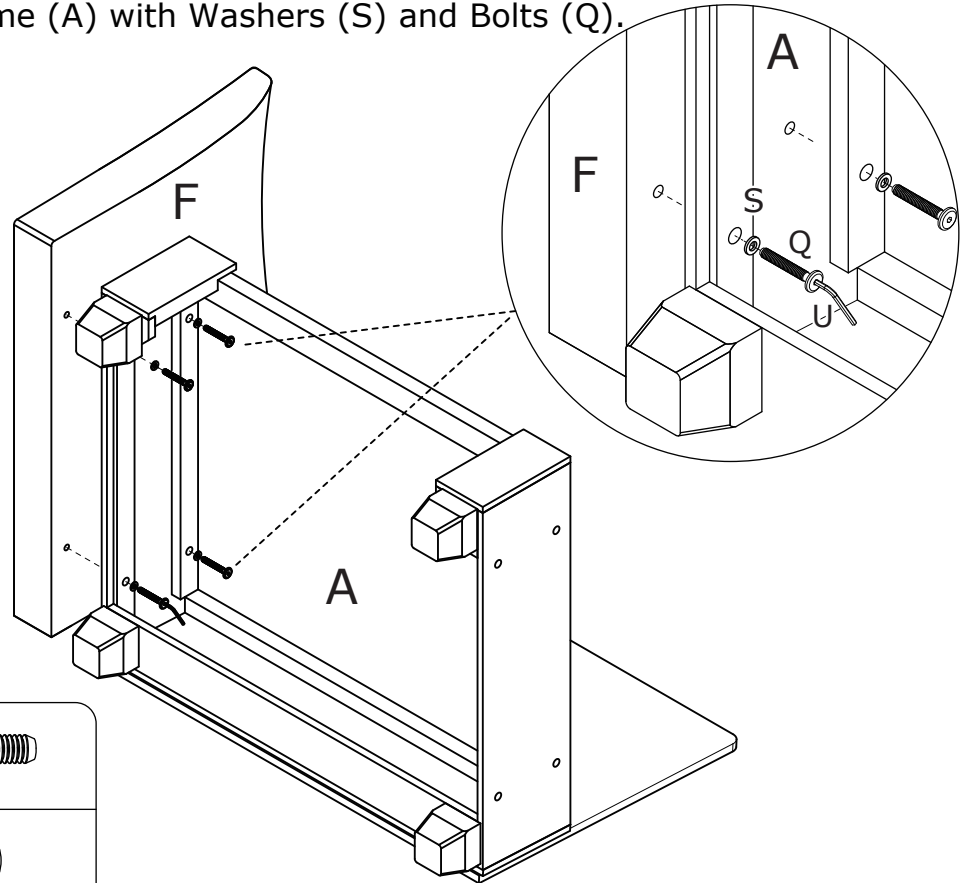
STEP 1 Assemble the Backrest (H) to the Seat frame (A) with Washers (S) and Bolts (Q).



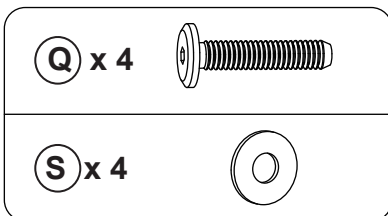
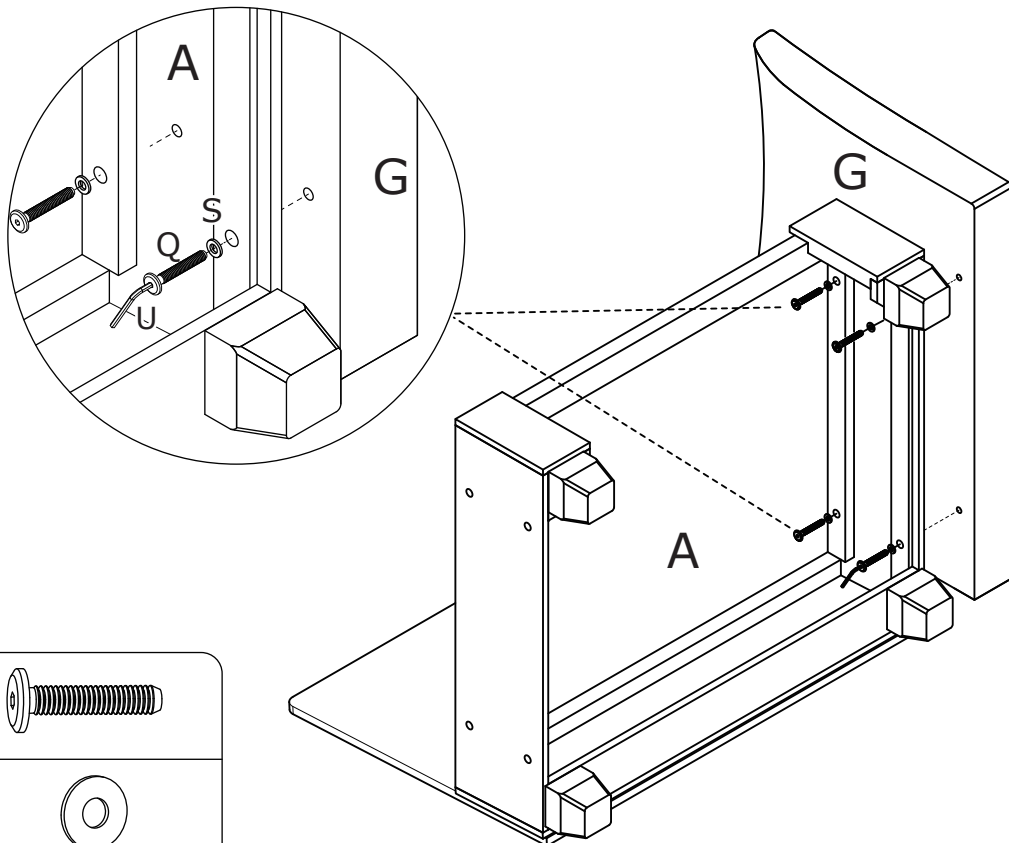
STEP 2 Assemble the Legs (C) on the Seat frame (A).



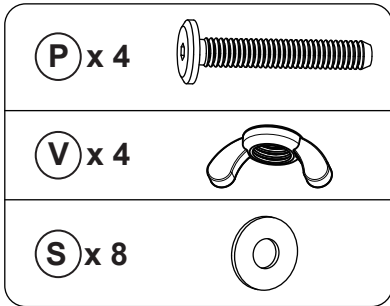
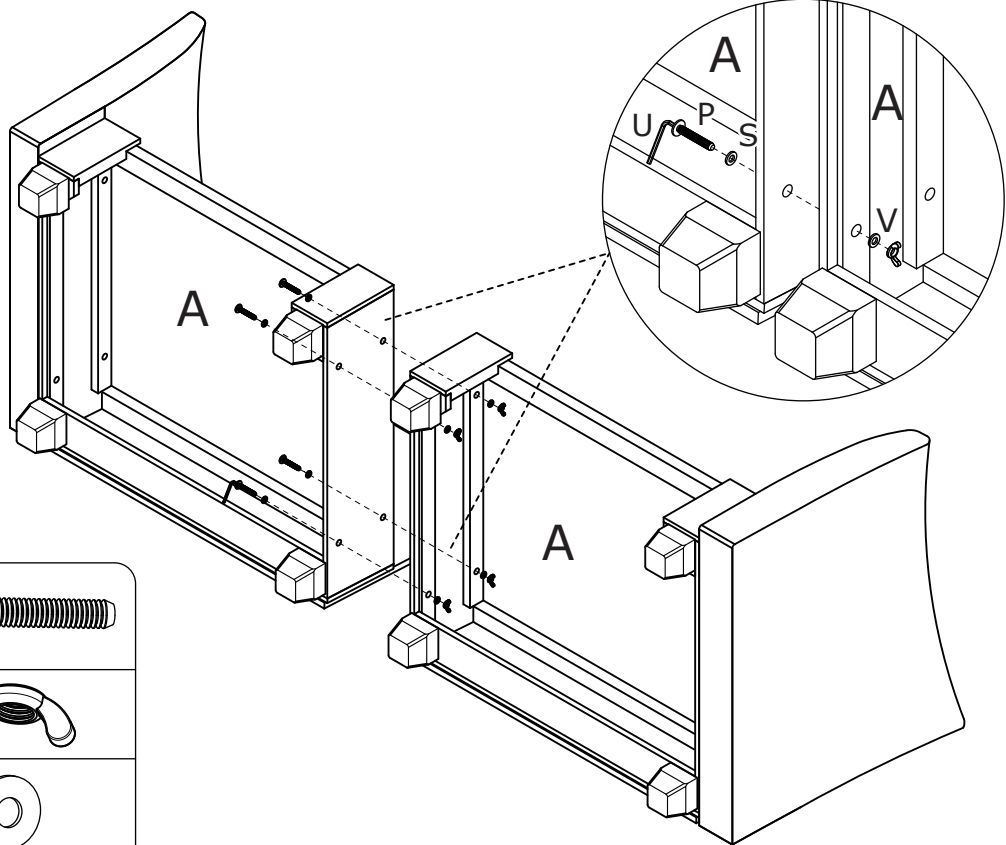
STEP 3 Assemble the Left armrest (F) to the Seat frame (A) with Washers (S) and Bolts (Q).



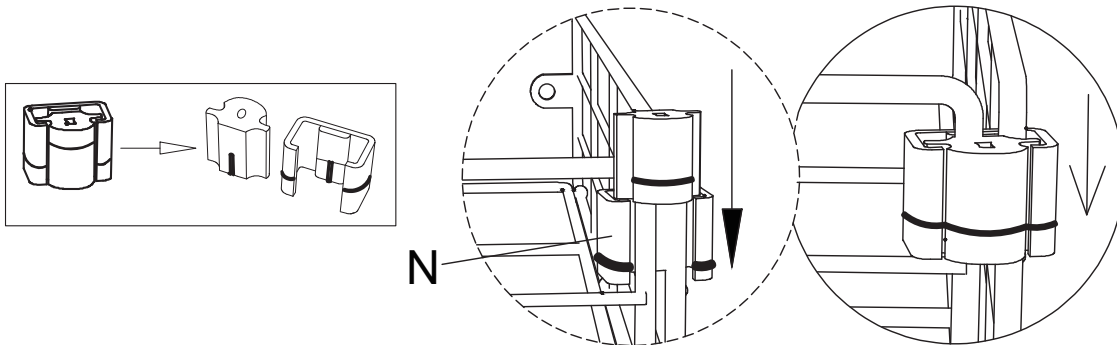
STEP 4 Assemble the Right armrest (G) to the Seat frame (A) with Washers (S) and Bolts (Q).



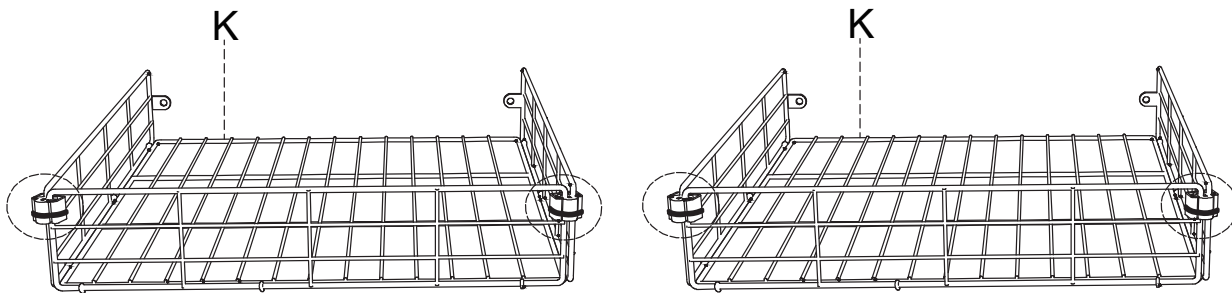
STEP 5 Assemble the Seat frames with Washers (S) and Bolts (P) and Butterfly nut (V).



STEP 6 Insert the Buckle (N) into the Drawer.



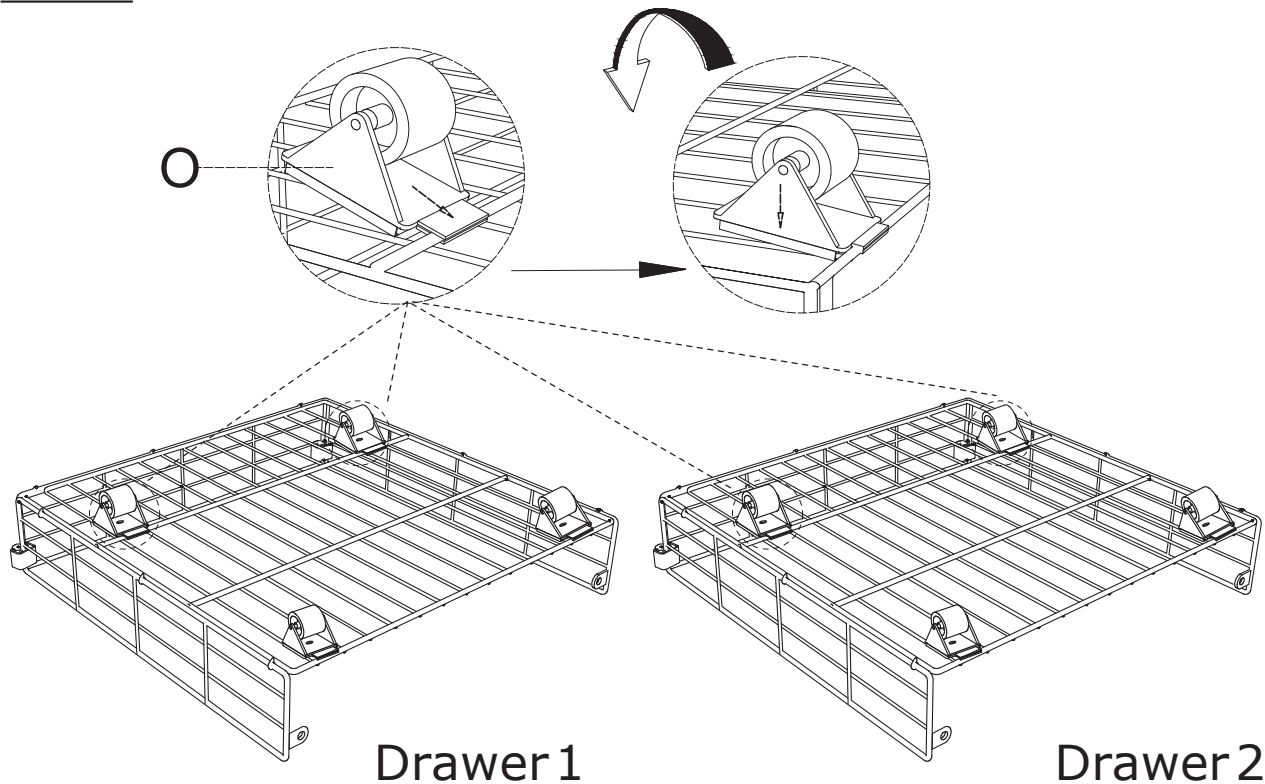
Please align the snap coils



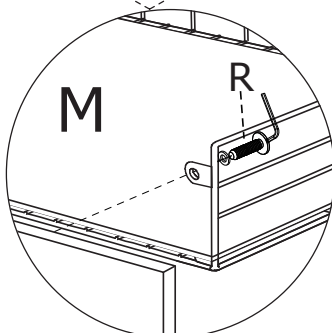
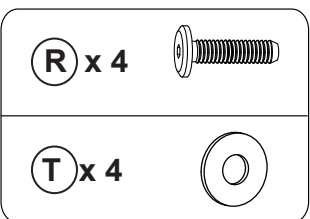
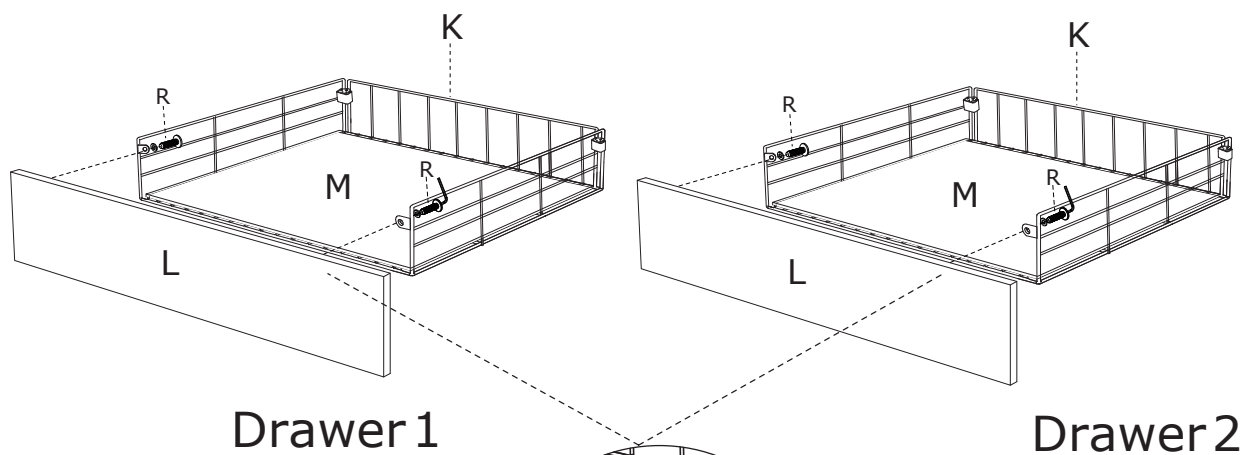
Drawer 1

Drawer 2

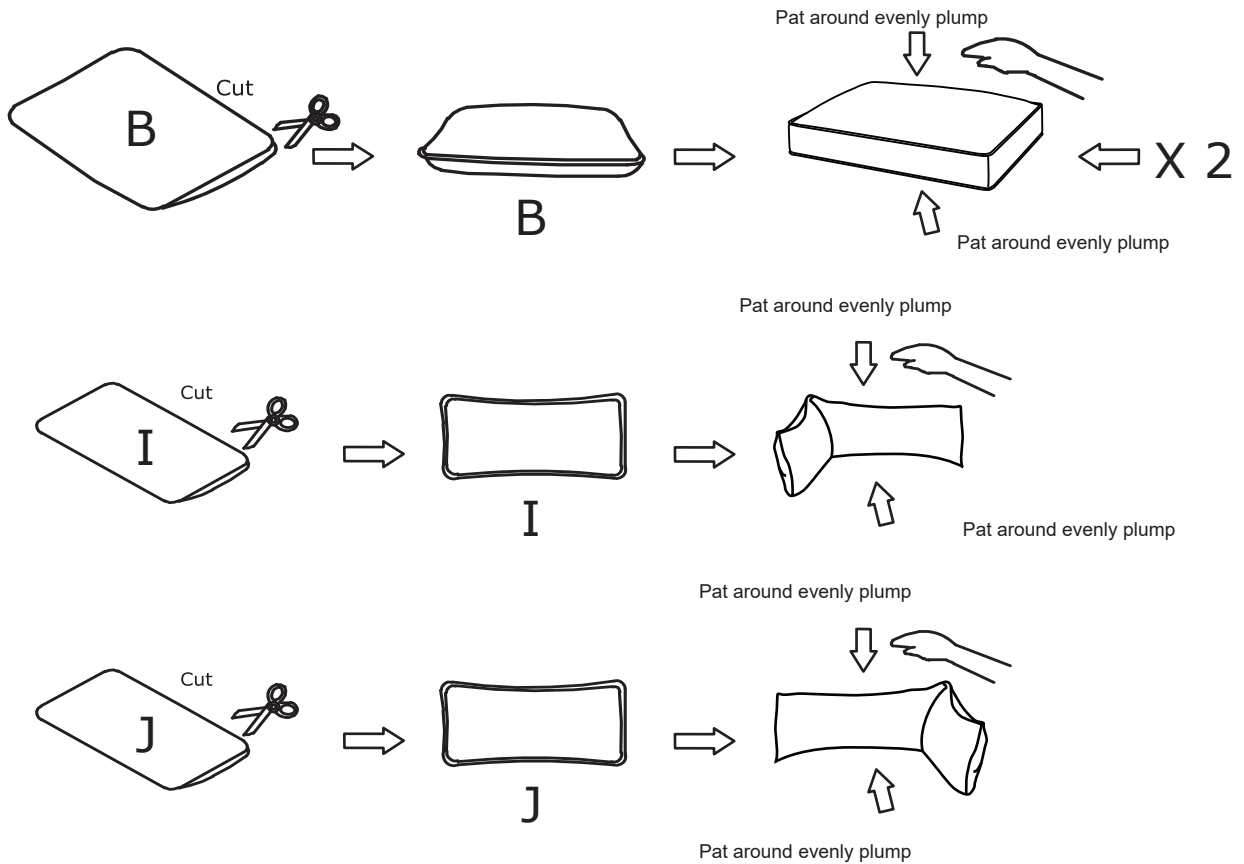
STEP 7 Insert the Castors (O) into the Drawer.



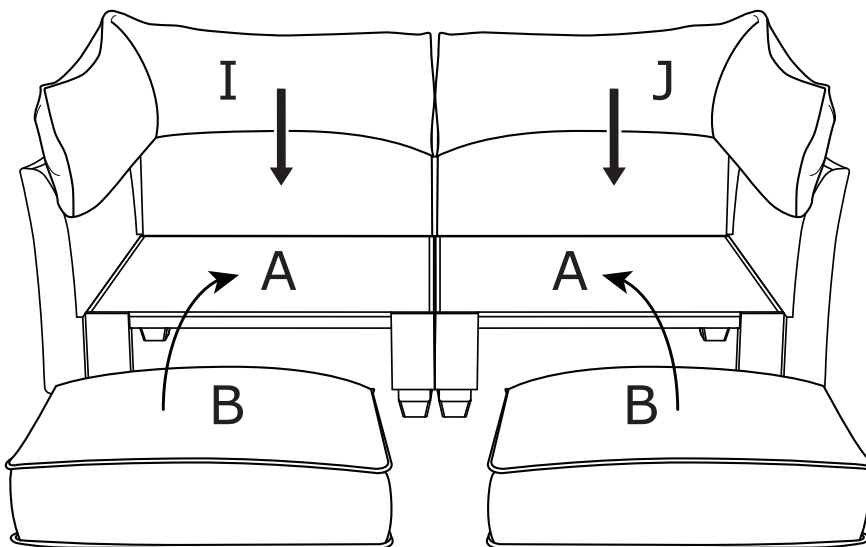
STEP 8 Insert the Drawer bottom Panel (M) in the Drawer.
Assemble the Drawer front Panel (L) to the Drawer (K) with Washers (T) and Bolts (R).



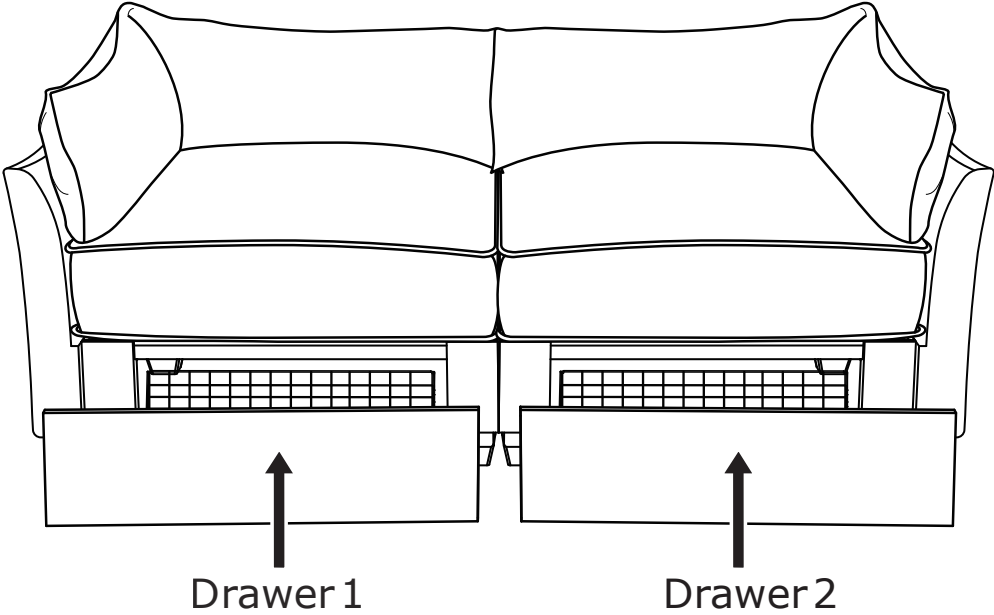
STEP 9 The cushion is packaged by vacuum compression. After cutting the package, it rebounds quickly within 4 hours. If the fabric has wrinkles, it will basically disappear after standing for 72 hours.



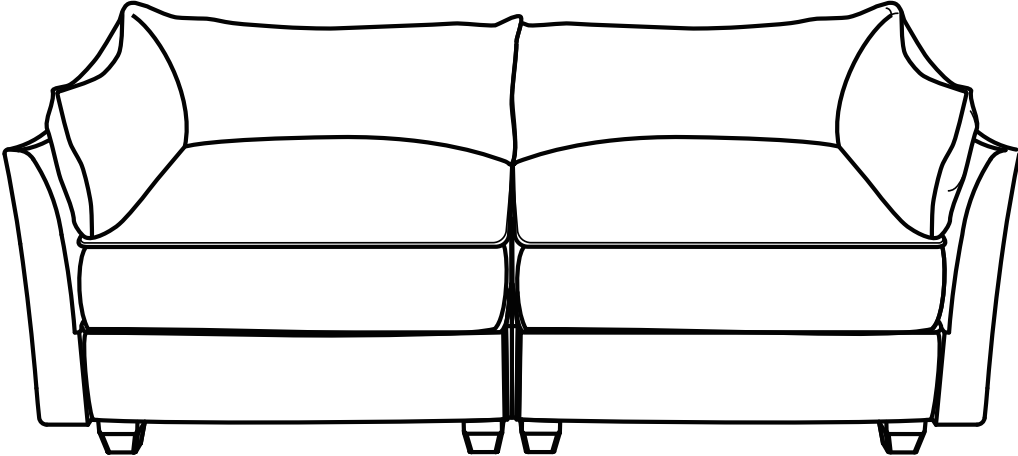
STEP 10 Put Seat cushion (B) , Left back cushion(I) and Right back cushion(J) to the Sofa.



STEP 11 Push the drawers into the bottom of the sofa.



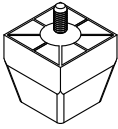
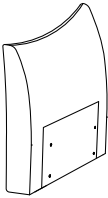
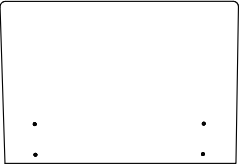
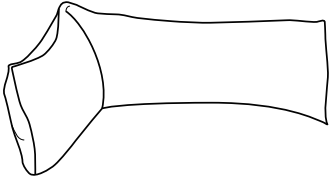
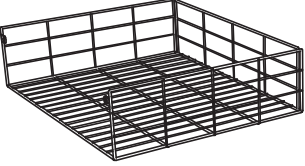

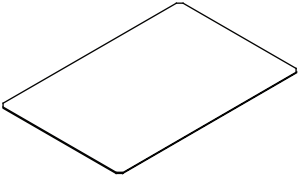






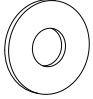
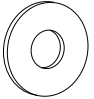



STEP 12 Completed.





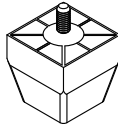
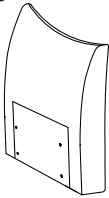
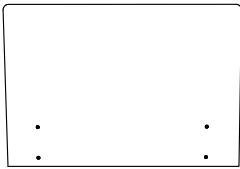
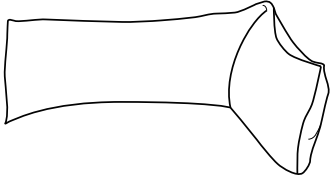
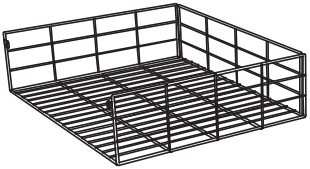

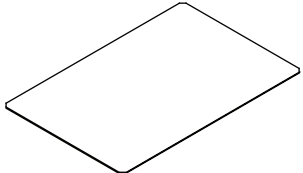






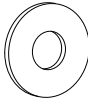
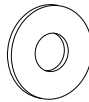

IF YOU BUY 3 SEATER SOFA
please follow below assembly instruction

Parts List (Box 1)

- | | | | | |
|--|---|--|--|---|
| <p>A</p> <p>Seat frame</p>  <p>1PC</p> | <p>B</p> <p>Seat cushion</p>  <p>1PC</p> | <p>C</p> <p>Leg</p>  <p>4PCS</p> | | |
| <p>F</p> <p>Left armrest</p>  <p>1PC</p> | <p>H</p> <p>Backrest</p>  <p>1PC</p> | <p>I</p> <p>Left back cushion</p>  <p>1PC</p> | | |
| <p>K</p> <p>Drawer</p>  <p>1PC</p> | <p>L</p> <p>Drawer front panel</p>  <p>1PC</p> | <p>M</p> <p>Drawer bottom panel</p>  <p>1PC</p> | | |
| <p>P</p> <p>M8X80MM Bolt</p>  <p>4PCS</p> | <p>Q</p> <p>M8X50MM Bolt</p>  <p>8PCS</p> | <p>R</p> <p>M6X20MM Bolt</p>  <p>2PCS</p> | <p>U</p> <p>Allen key</p>  <p>1PC</p> | |
| <p>N</p> <p>Buckle</p>  <p>2PCS</p> | <p>O</p> <p>Castors</p>  <p>4PCS</p> | <p>S</p> <p>M8 Washer</p>  <p>16PCS</p> | <p>T</p> <p>M6 Washer</p>  <p>2PCS</p> | <p>V</p> <p>Butterfly nut</p>  <p>4PCS</p> |



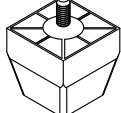


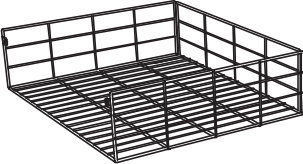

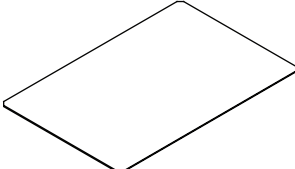






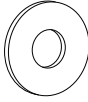
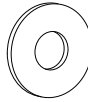

IF YOU BUY 3 SEATER SOFA
please follow below assembly instruction

Parts List (Box 2)

- | | | | | |
|--|---|--|--|---|
| <p>A</p> <p>Seat frame</p>  <p>1PC</p> | <p>B</p> <p>Seat cushion</p>  <p>1PC</p> | <p>C</p> <p>Leg</p>  <p>4PCS</p> | | |
| <p>G</p> <p>Right armrest</p>  <p>1PC</p> | <p>H</p> <p>Backrest</p>  <p>1PC</p> | <p>J</p> <p>Right back cushion</p>  <p>1PC</p> | | |
| <p>K</p> <p>Drawer</p>  <p>1PC</p> | <p>L</p> <p>Drawer front panel</p>  <p>1PC</p> | <p>M</p> <p>Drawer bottom panel</p>  <p>1PC</p> | | |
| <p>P</p> <p>M8X80MM Bolt</p>  <p>4PCS</p> | <p>Q</p> <p>M8X50MM Bolt</p>  <p>8PCS</p> | <p>R</p> <p>M6X20MM Bolt</p>  <p>2PCS</p> | <p>U</p> <p>Allen key</p>  <p>1PC</p> | |
| <p>N</p> <p>Buckle</p>  <p>2PCS</p> | <p>O</p> <p>Castors</p>  <p>4PCS</p> | <p>S</p> <p>M8 Washer</p>  <p>16PCS</p> | <p>T</p> <p>M6 Washer</p>  <p>2PCS</p> | <p>V</p> <p>Butterfly nut</p>  <p>4PCS</p> |

IF YOU BUY 3 SEATER SOFA
please follow below assembly instruction

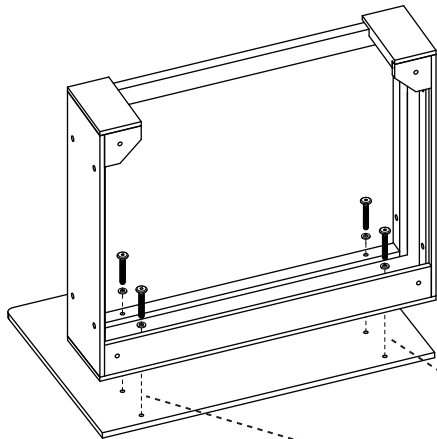
Parts List (Box 3)

<p>(A) Seat frame</p>  <p>1PC</p>	<p>(B) Seat cushion</p>  <p>1PC</p>	<p>(C) Leg</p>  <p>4PCS</p>		
<p>(E) Back cushion</p>  <p>1PC</p>	<p>(H) Backrest</p>  <p>1PC</p>	<p>(K) Drawer</p>  <p>1PC</p>		
<p>(L) Drawer front panel</p>  <p>1PC</p>	<p>(M) Drawer bottom panel</p>  <p>1PC</p>			
<p>(P) M8X80MM Bolt</p>  <p>4PCS</p>	<p>(Q) M8X50MM Bolt</p>  <p>4PCS</p>	<p>(R) M6X20MM Bolt</p>  <p>2PCS</p>	<p>(U) Allen key</p>  <p>1PC</p>	
<p>(N) Buckle</p>  <p>2PCS</p>	<p>(O) Castors</p>  <p>4PCS</p>	<p>(S) M8 Washer</p>  <p>12PCS</p>	<p>(T) M6 Washer</p>  <p>2PCS</p>	<p>(V) Butterfly nut</p>  <p>4PCS</p>

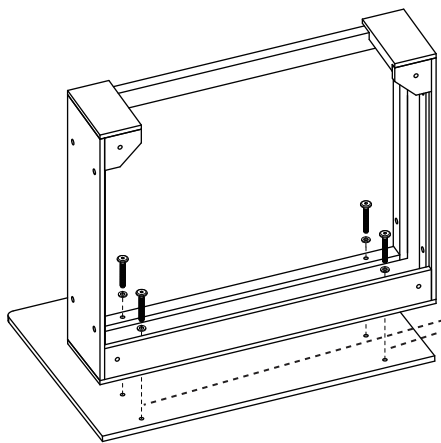
Note: Please retain all boxes until you are certain that your product isn't damaged and that you do not wish to return it. Disposal of boxes may prevent our ability to resolve your request.

ASSEMBLY STEPS

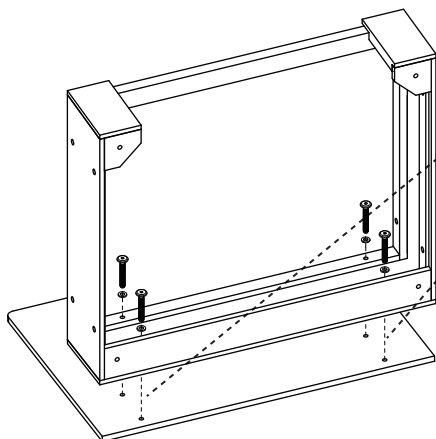
STEP 1 Assemble the Backrest (H) to the Seat frame (A) with Washers (S) and Bolts (Q).



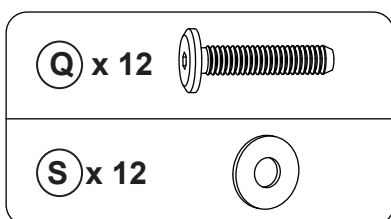
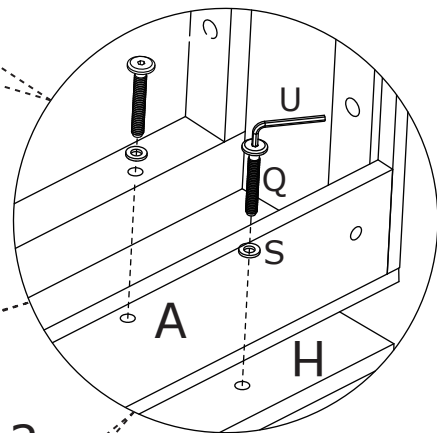
Seat frame 1



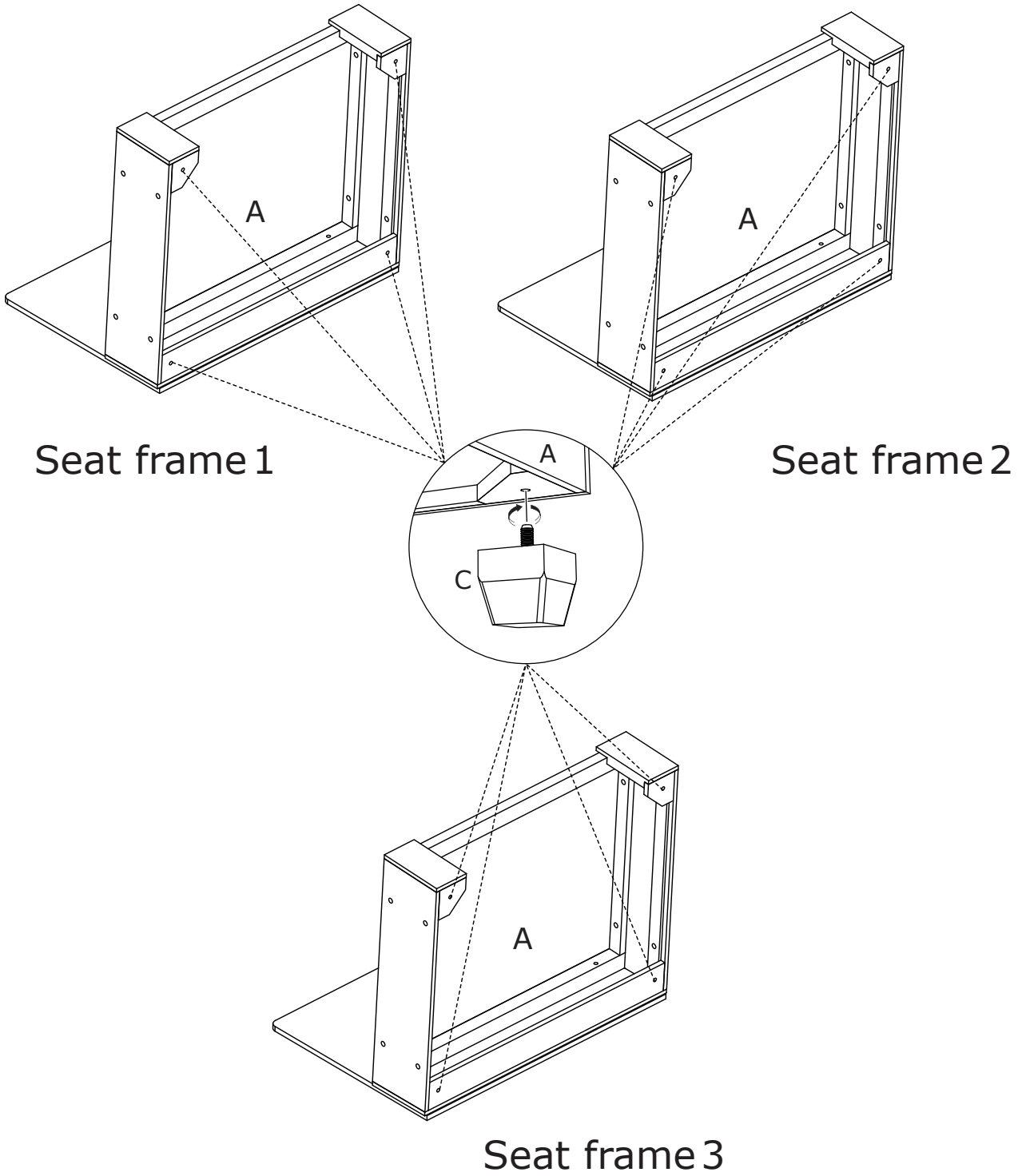
Seat frame 2



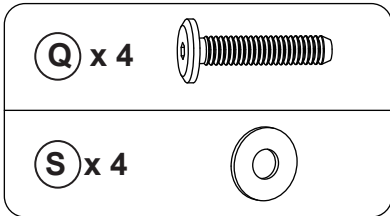
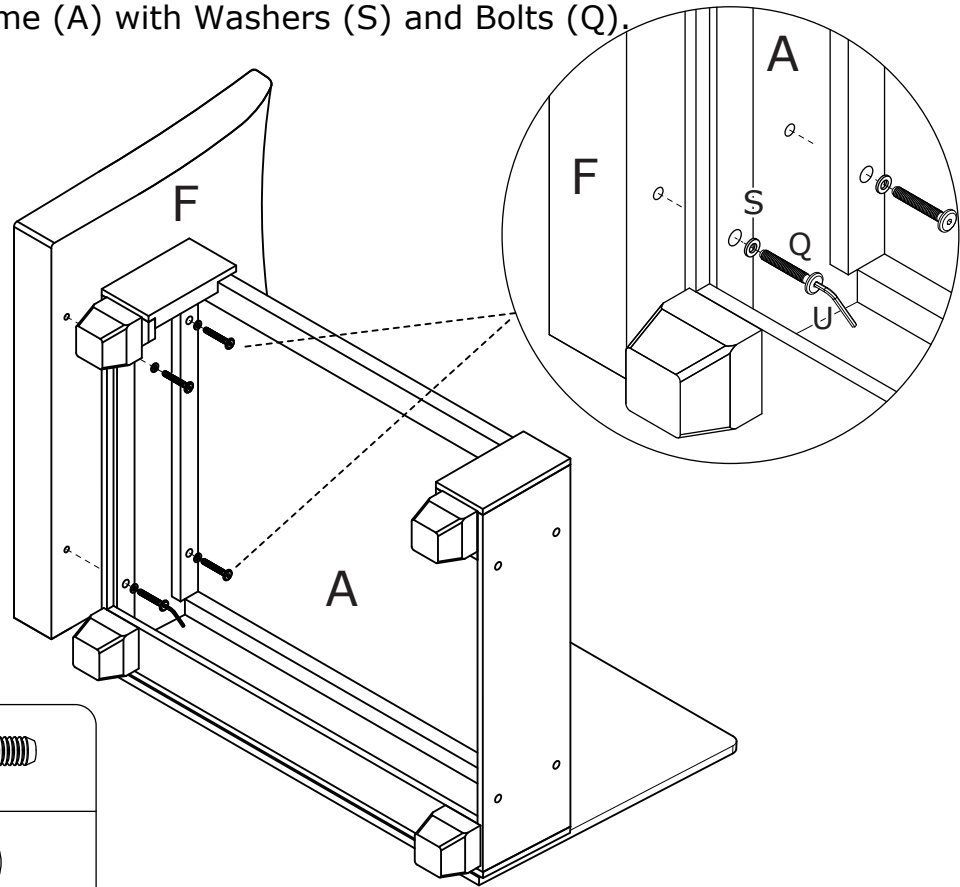
Seat frame 3



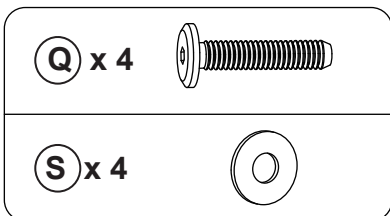
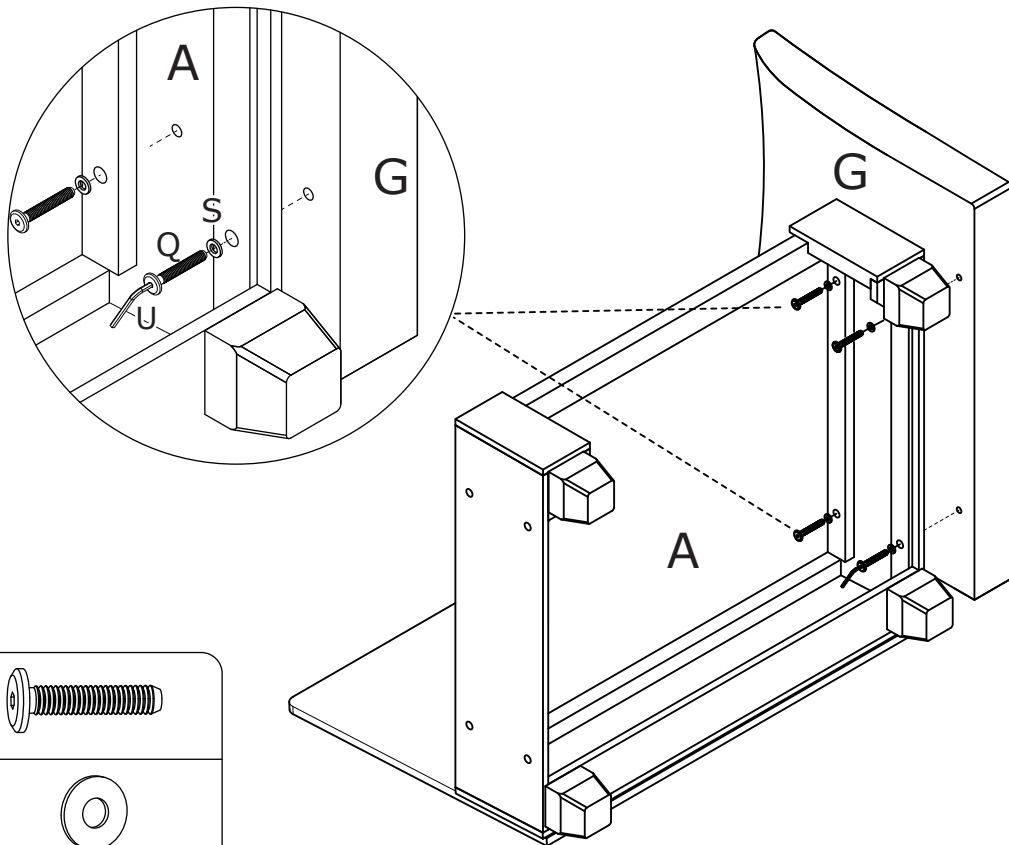
STEP 2 Assemble the Legs (C) on the Seat frame (A).



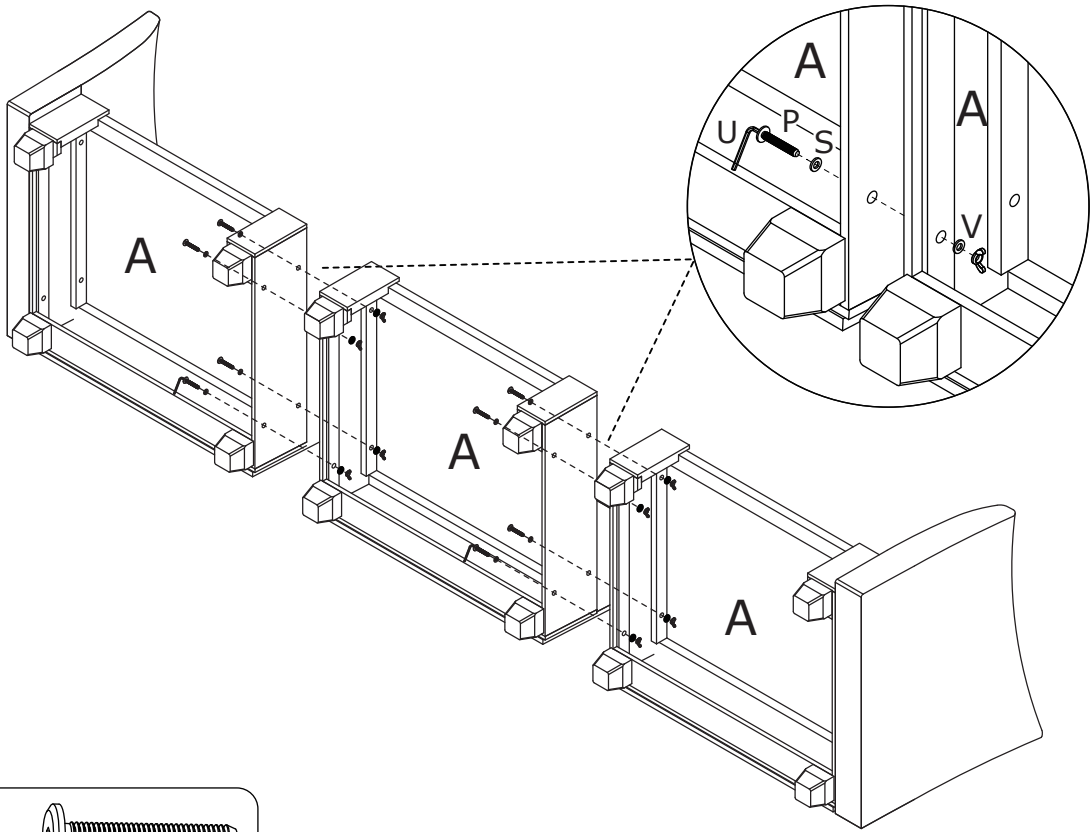
STEP 3 Assemble the Left armrest (F) to the Seat frame (A) with Washers (S) and Bolts (Q).






STEP 4 Assemble the Right armrest (G) to the Seat frame (A) with Washers (S) and Bolts (Q).

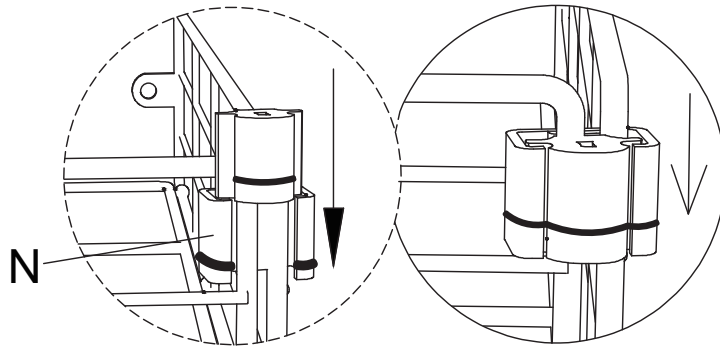
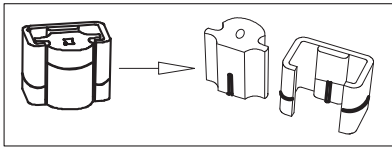


STEP 5 Assemble the Seat frames with Washers (S) and Bolts (P) and Butterfly nut (V).

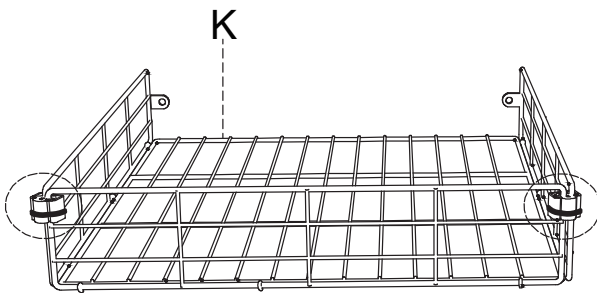


P x 8	
V x 8	
S x 16	

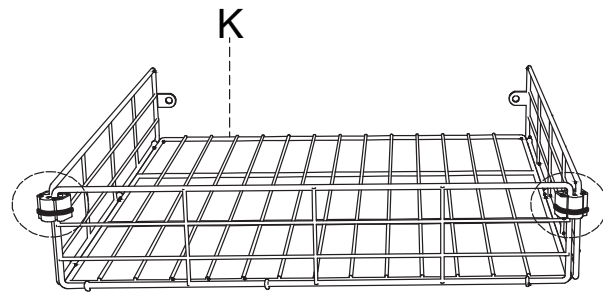
STEP 6 Insert the Buckle (N) into the Drawer.



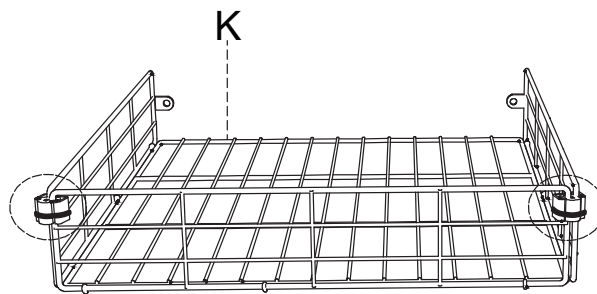
Please align the snap coils



Drawer 1



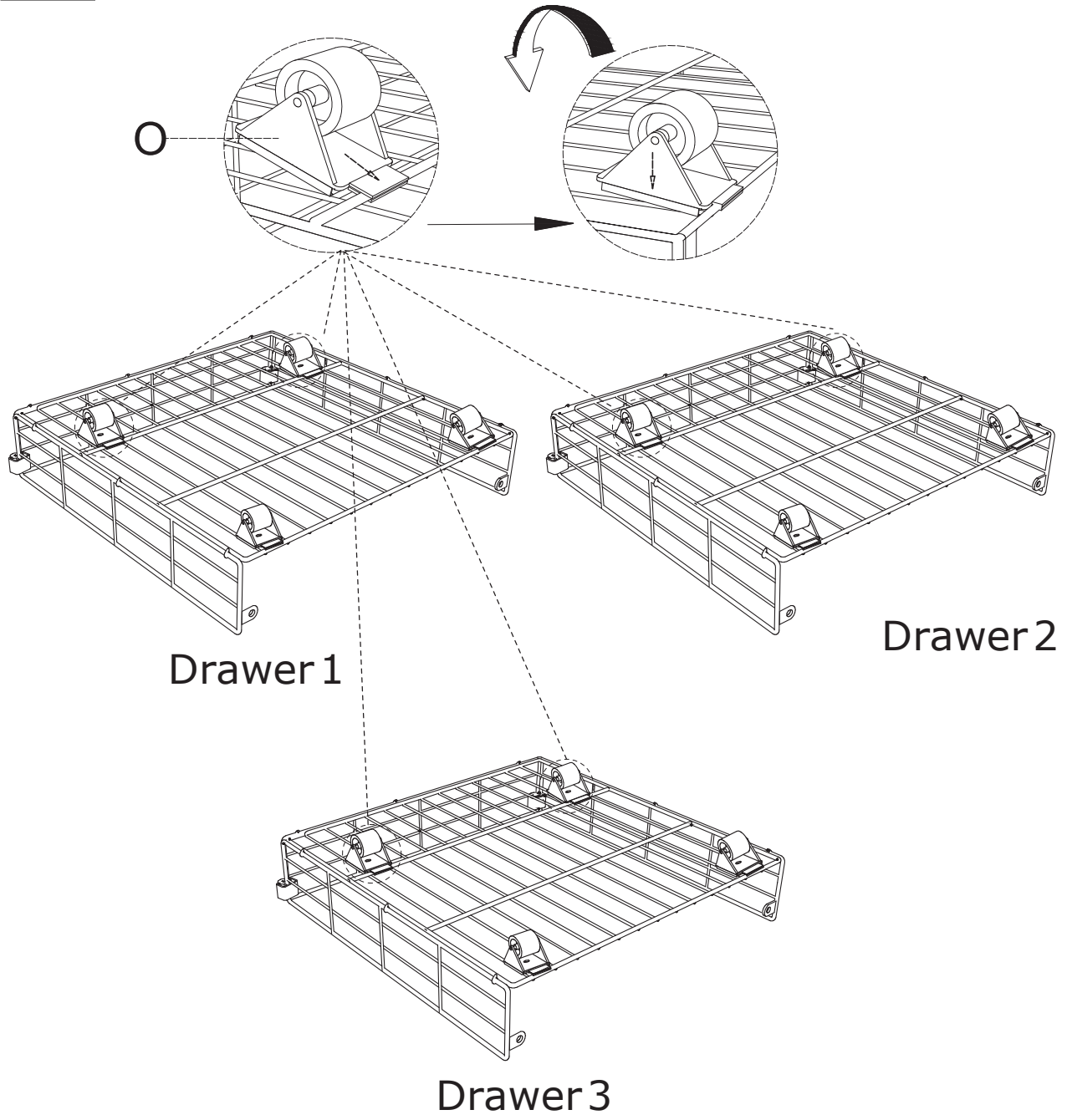
Drawer 2



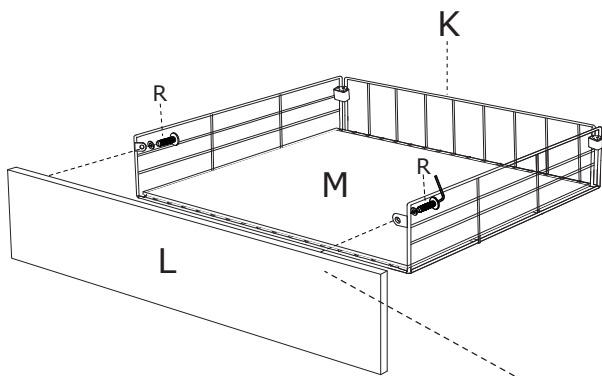
Drawer 3



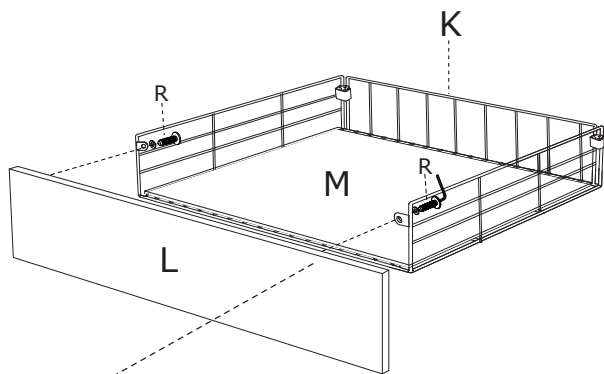
STEP 7 Insert the Castors (O) into the Drawer.



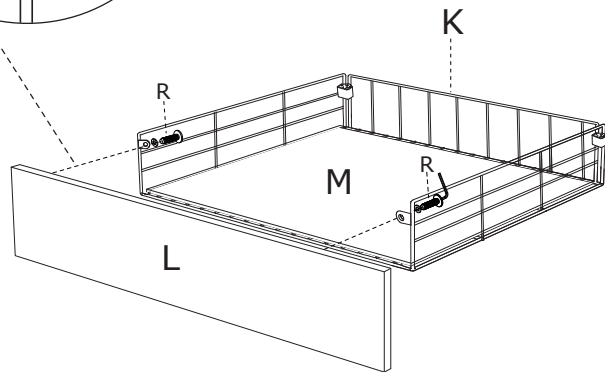
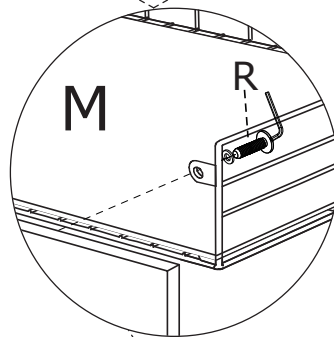
STEP 8 Insert the Drawer bottom Panel (M) in the Drawer. Assemble the Drawer front Panel (L) to the Drawer (K) with Washers (T) and Bolts (R).



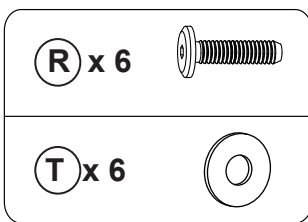
Drawer 1



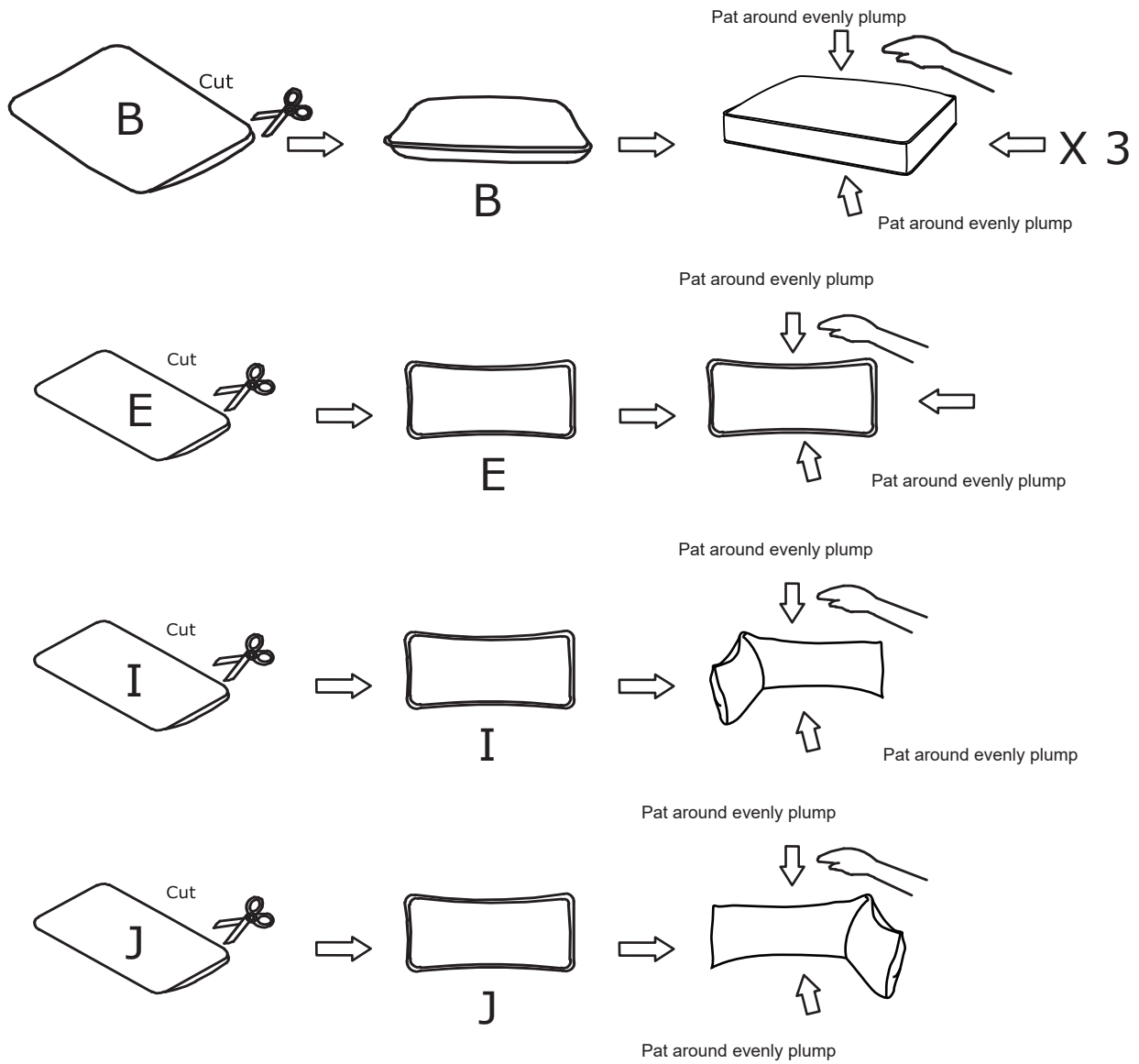
Drawer 2



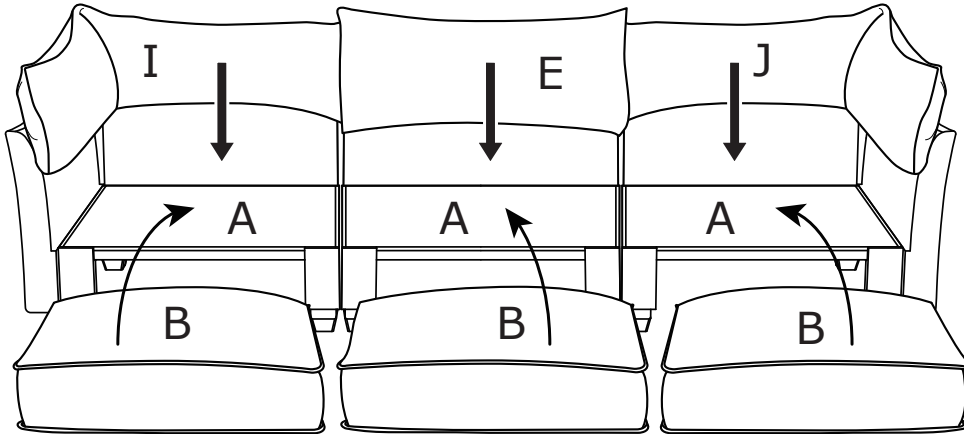
Drawer 3



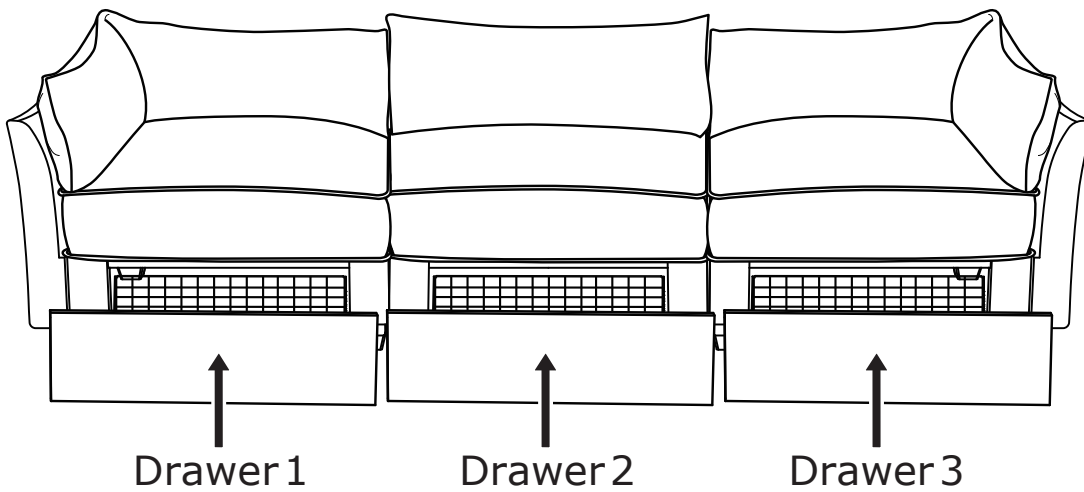
STEP 9 The cushion is packaged by vacuum compression. After cutting the package, it rebounds quickly within 4 hours. If the fabric has wrinkles, it will basically disappear after standing for 72 hours.



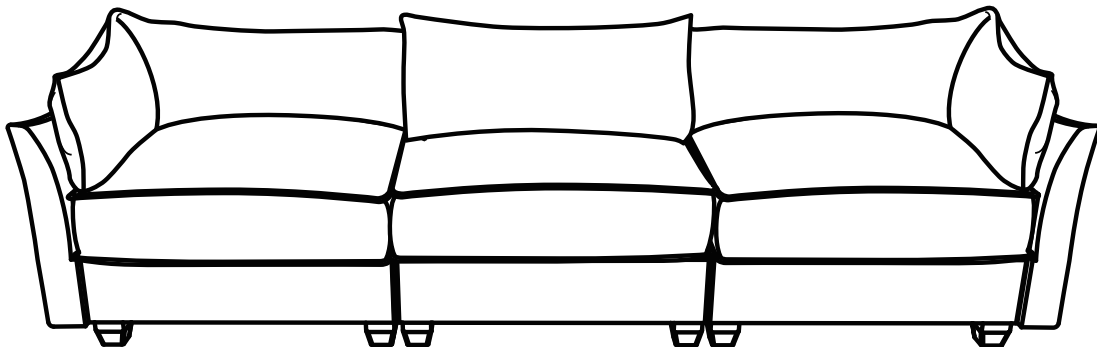
STEP 10 Put Seat cushion (B), Left back cushion(I), Right back cushion(J) and Back cushion(E) to the Sofa.



STEP 11 Push the drawers into the bottom of the sofa.



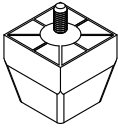
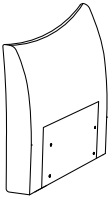
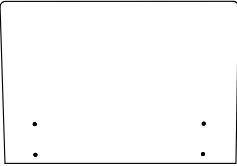
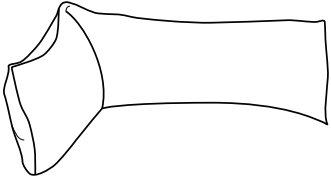
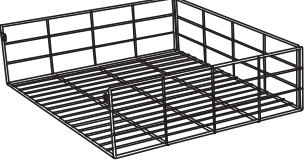

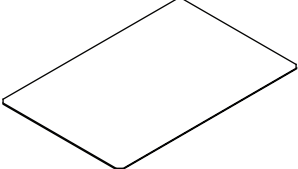






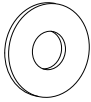
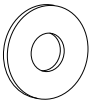



STEP 12 Completed.





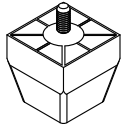
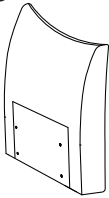
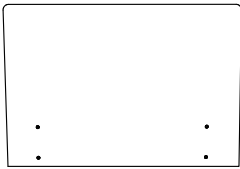
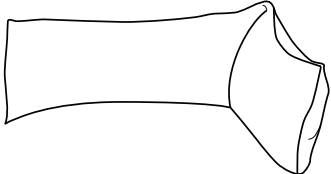
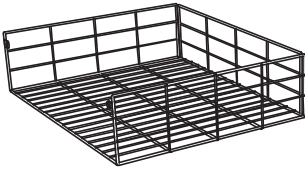

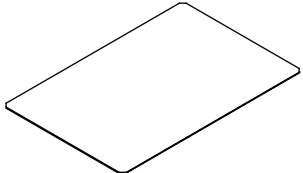






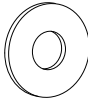
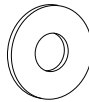

IF YOU BUY 4 SEATER SOFA
please follow below assembly instruction

Parts List (Box 1)

<p>A Seat frame</p>  <p>1PC</p>	<p>B Seat cushion</p>  <p>1PC</p>	<p>C Leg</p>  <p>4PCS</p>		
<p>F Left armrest</p>  <p>1PC</p>	<p>H Backrest</p>  <p>1PC</p>	<p>I Left Back cushion</p>  <p>1PC</p>		
<p>K Drawer</p>  <p>1PC</p>	<p>L Drawer Front Panel</p>  <p>1PC</p>	<p>M Drawer Bottom Panel</p>  <p>1PC</p>		
<p>P M8X80MM Bolt</p>  <p>4PCS</p>	<p>Q M8X50MM Bolt</p>  <p>8PCS</p>	<p>R M6X20MM Bolt</p>  <p>2PCS</p>	<p>U Allen key</p>  <p>1PC</p>	
<p>N Buckle</p>  <p>2PCS</p>	<p>O Castors</p>  <p>4PCS</p>	<p>S M8 Washer</p>  <p>16PCS</p>	<p>T M6 Washer</p>  <p>2PCS</p>	<p>V Butterfly nut</p>  <p>4PCS</p>



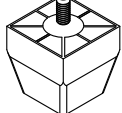


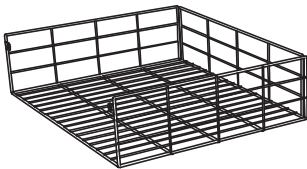

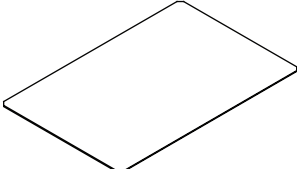






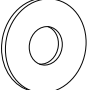
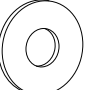

IF YOU BUY 4 SEATER SOFA
please follow below assembly instruction

Parts List (Box 2)

<p>A</p> <p>Seat frame</p>  <p>1PC</p>	<p>B</p> <p>Seat cushion</p>  <p>1PC</p>	<p>C</p> <p>Leg</p>  <p>4PCS</p>		
<p>G</p> <p>Right armrest</p>  <p>1PC</p>	<p>H</p> <p>Backrest</p>  <p>1PC</p>	<p>J</p> <p>Right Back cushion</p>  <p>1PC</p>		
<p>K</p> <p>Drawer</p>  <p>1PC</p>	<p>L</p> <p>Drawer Front Panel</p>  <p>1PC</p>	<p>M</p> <p>Drawer Bottom Panel</p>  <p>1PC</p>		
<p>P</p> <p>M8X80MM Bolt</p>  <p>4PCS</p>	<p>Q</p> <p>M8X50MM Bolt</p>  <p>8PCS</p>	<p>R</p> <p>M6X20MM Bolt</p>  <p>2PCS</p>	<p>U</p> <p>Allen key</p>  <p>1PC</p>	
<p>N</p> <p>Buckle</p>  <p>2PCS</p>	<p>O</p> <p>Castors</p>  <p>4PCS</p>	<p>S</p> <p>M8 Washer</p>  <p>16PCS</p>	<p>T</p> <p>M6 Washer</p>  <p>2PCS</p>	<p>V</p> <p>Butterfly nut</p>  <p>4PCS</p>

IF YOU BUY 4 SEATER SOFA
please follow below assembly instruction

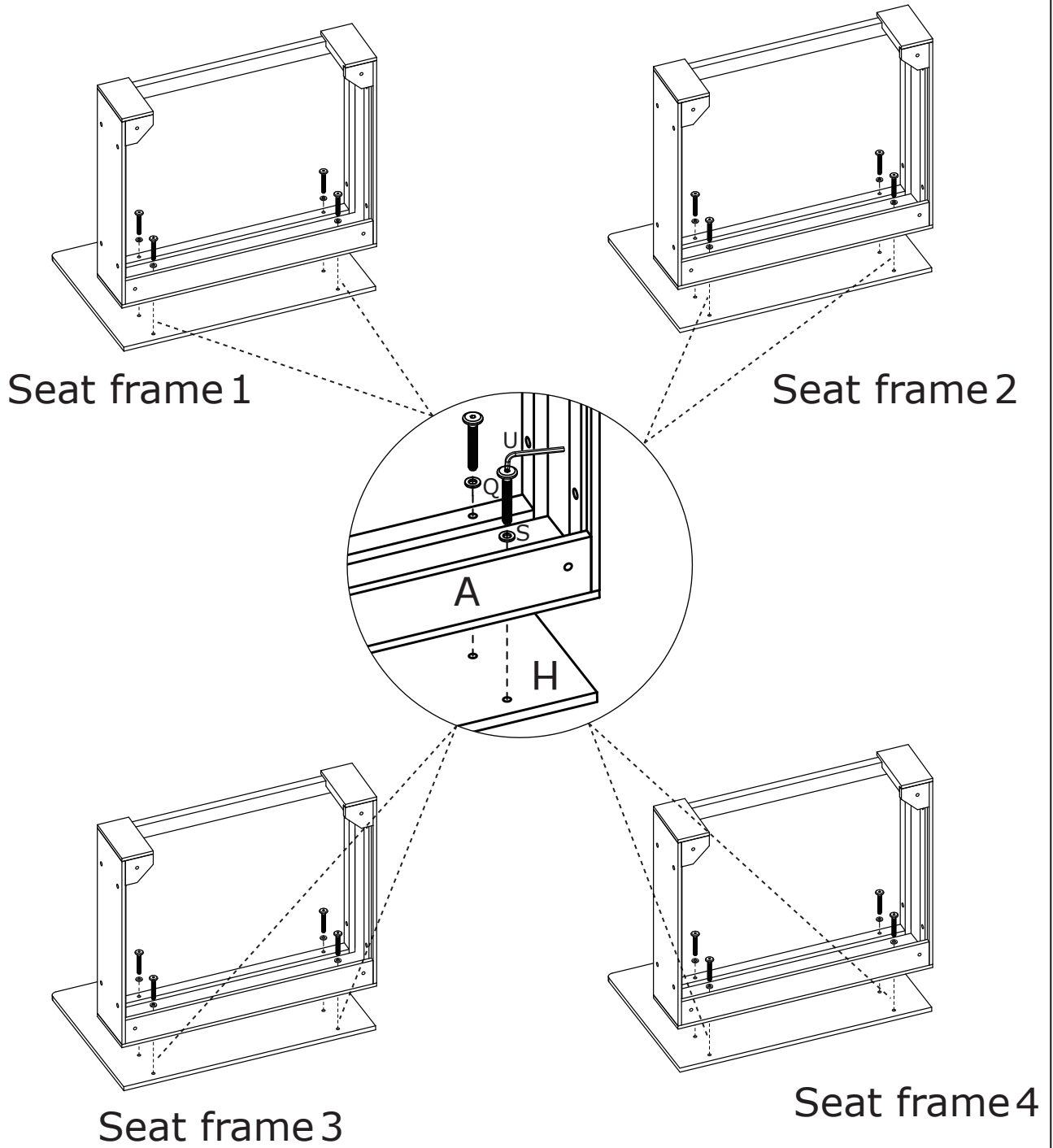
Parts List (Box 3)

<p>A</p> <p>Seat frame</p>  <p>2PCS</p>	<p>B</p> <p>Seat cushion</p>  <p>2PCS</p>	<p>C</p> <p>Leg</p>  <p>8PCS</p>		
<p>E</p> <p>Back cushion</p>  <p>2PCS</p>	<p>H</p> <p>Backrest</p>  <p>2PCS</p>	<p>K</p> <p>Drawer</p>  <p>2PCS</p>		
<p>L</p> <p>Drawer Front</p>  <p>2PCS</p>	<p>M</p> <p>Drawer Bottom</p>  <p>2PCS</p>			
<p>P</p> <p>M8X80MM Bolt</p>  <p>8PCS</p>	<p>Q</p> <p>M8X50MM Bolt</p>  <p>8PCS</p>	<p>R</p> <p>M6X20MM Bolt</p>  <p>4PCS</p>	<p>U</p> <p>Allen key</p>  <p>2PCS</p>	
<p>N</p> <p>Buckle</p>  <p>4PCS</p>	<p>O</p> <p>Castors</p>  <p>8PCS</p>	<p>S</p> <p>M8 Washer</p>  <p>24PCS</p>	<p>T</p> <p>M6 Washer</p>  <p>4PCS</p>	<p>V</p> <p>Butterfly nut</p>  <p>8PCS</p>


Note: Please retain all boxes until you are certain that your product isn't damaged and that you do not wish to return it. Disposal of boxes may prevent our ability to resolve your request.

ASSEMBLY STEPS

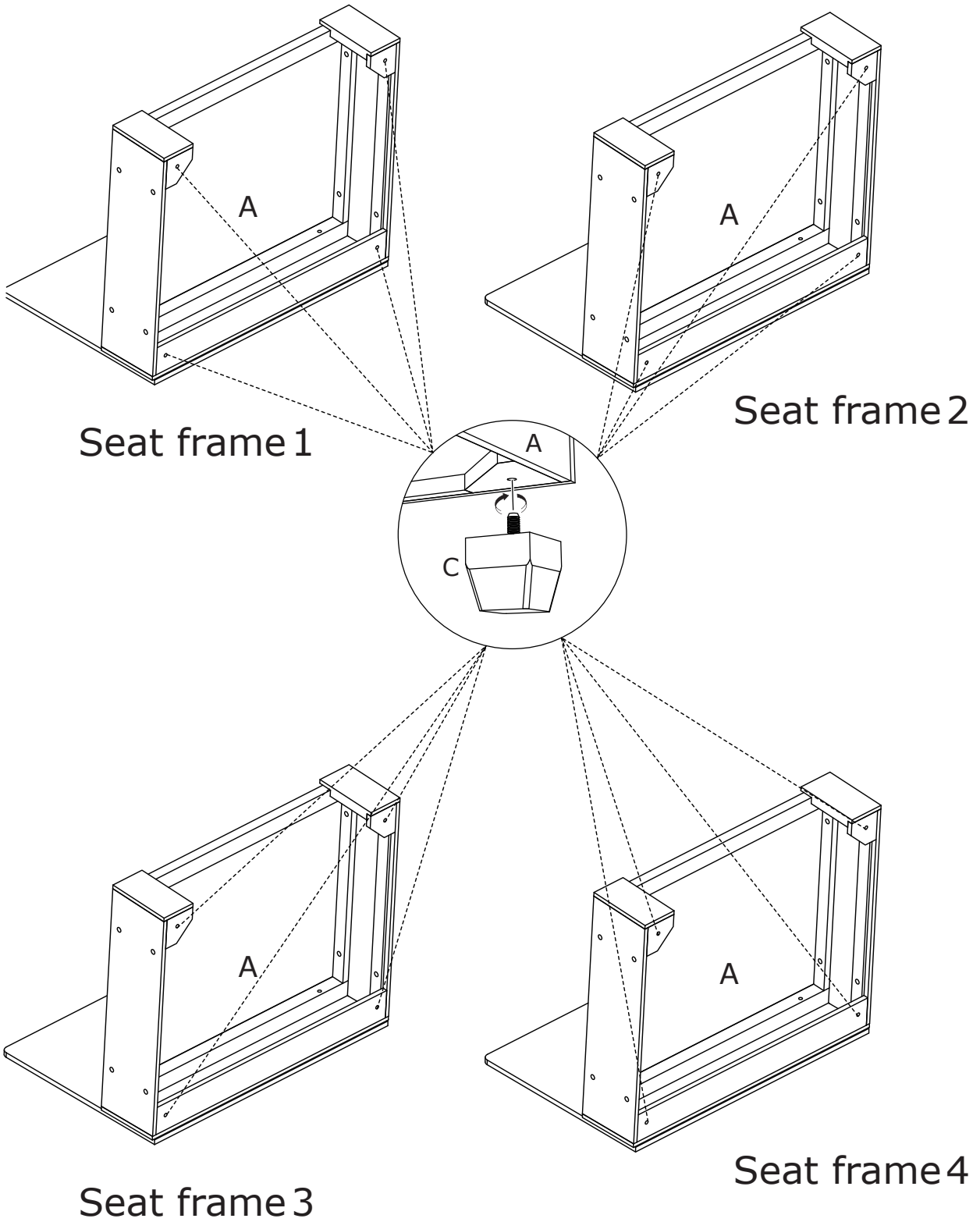
STEP 1 Assemble the Backrest (H) to the Seat frame (A) with Washers (S) and Bolts (Q).



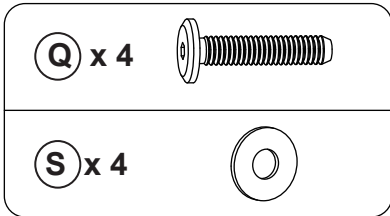
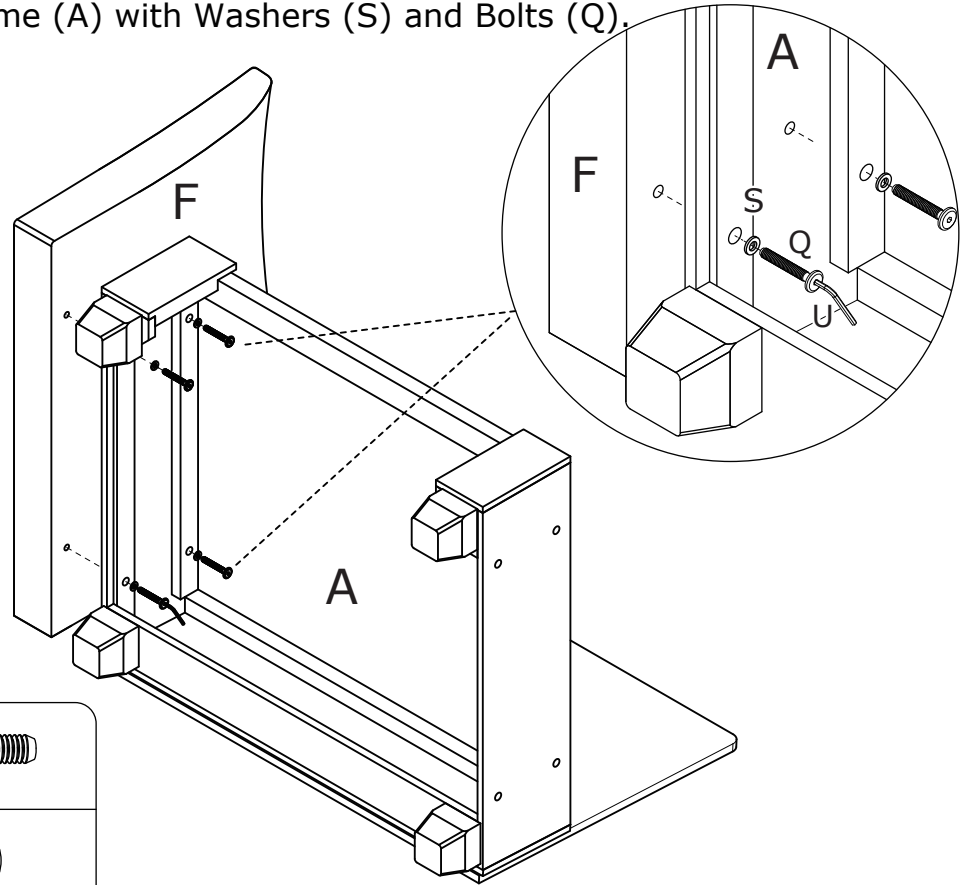
Q x 16 

S x 16 

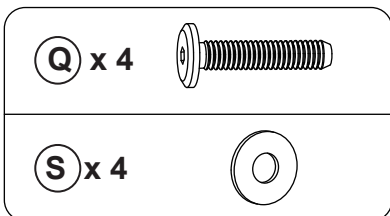
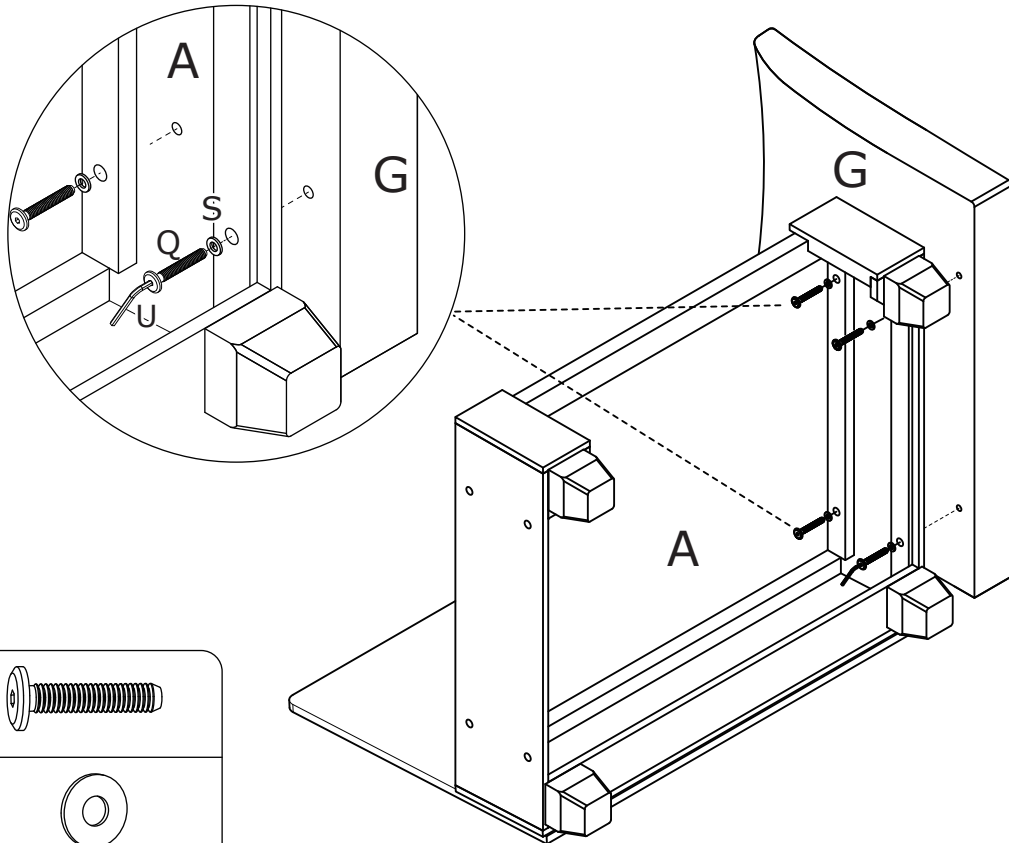
STEP 2 Assemble the Legs (C) on the Seat frame (A).



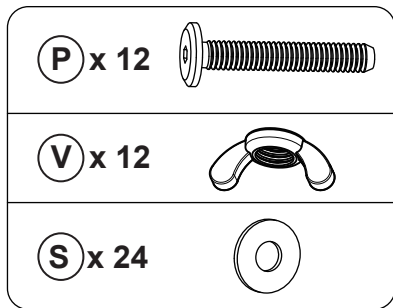
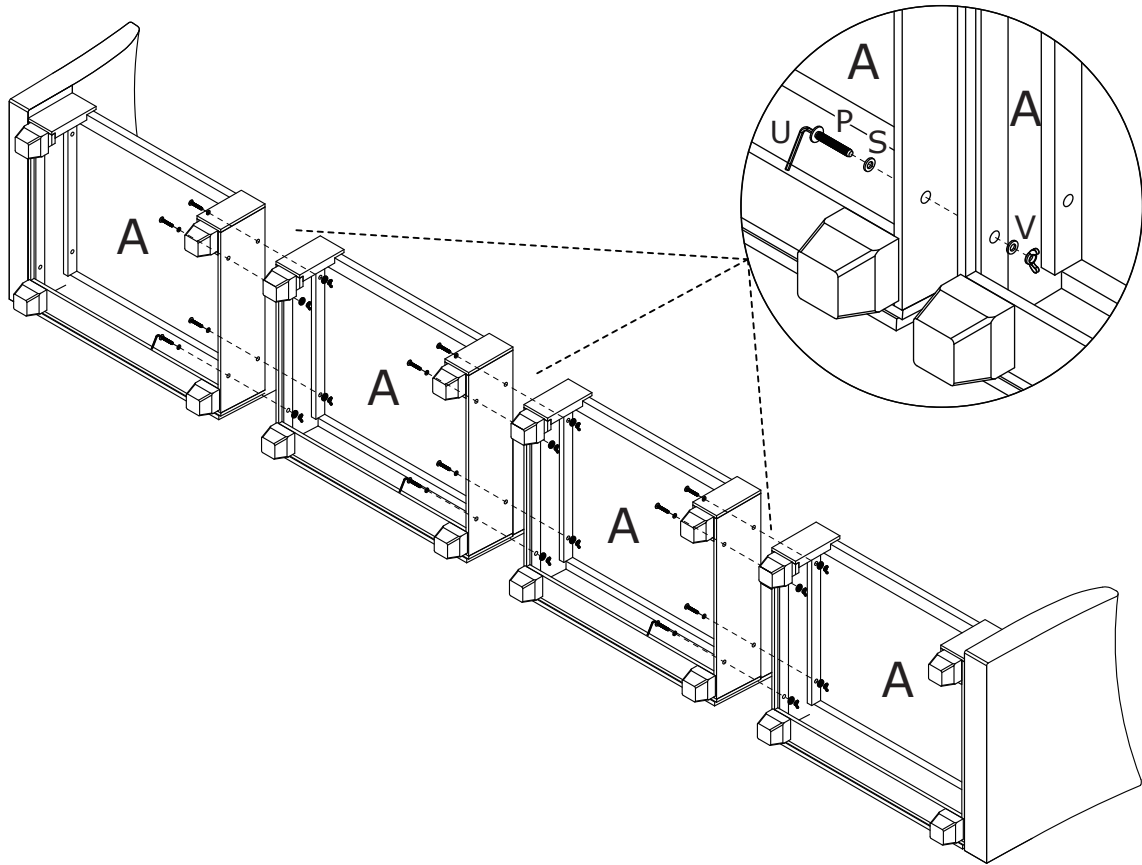
STEP 3 Assemble the Left armrest (F) to the Seat frame (A) with Washers (S) and Bolts (Q).



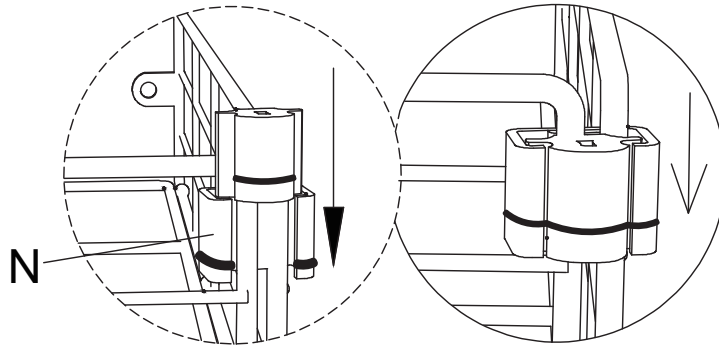
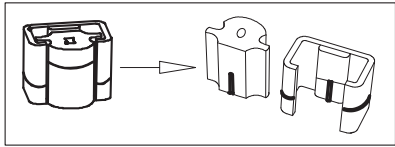
STEP 4 Assemble the Right armrest (G) to the Seat frame (A) with Washers (S) and Bolts (Q).



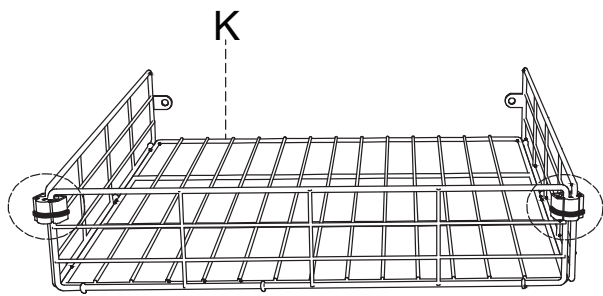
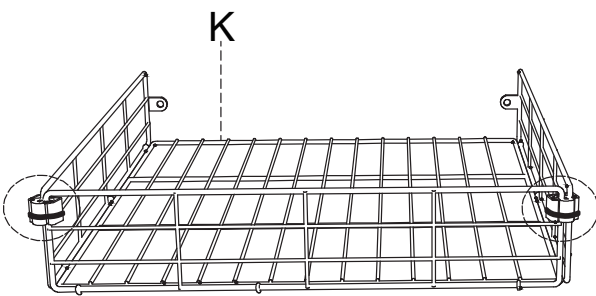
STEP 5 Assemble the Seat frames with Washers (S) and Bolts (P) and Butterfly nut (V).



STEP 6 Insert the Buckle (N) into the Drawer.

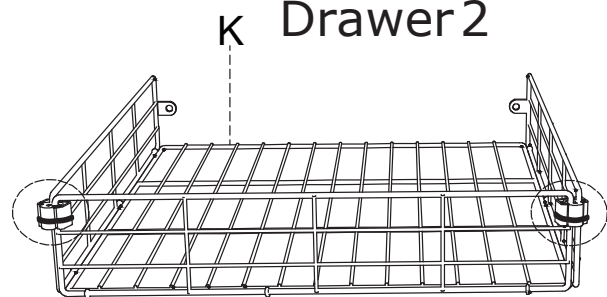
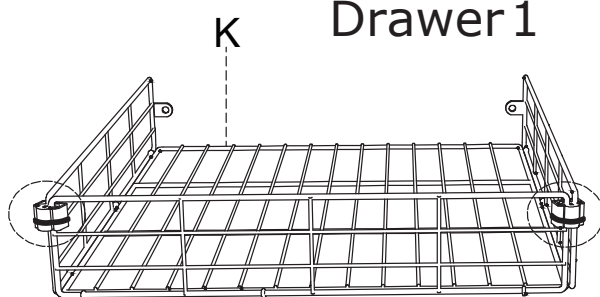


Please align the snap coils



Drawer 1

Drawer 2



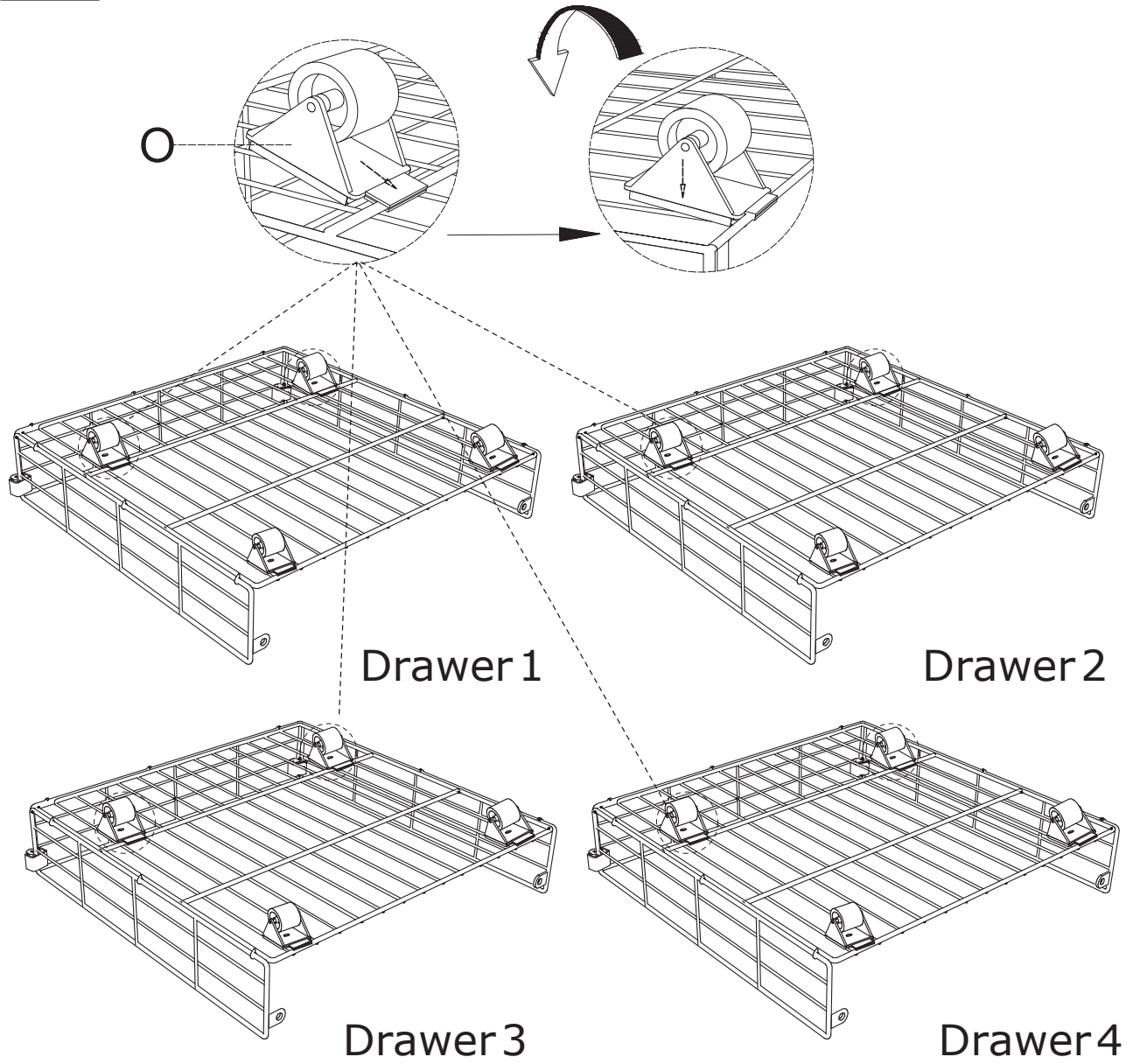
Drawer 3

Drawer 4

(N) x 8



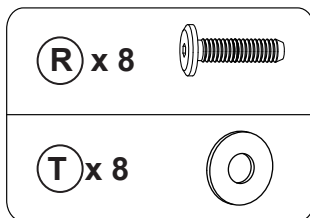
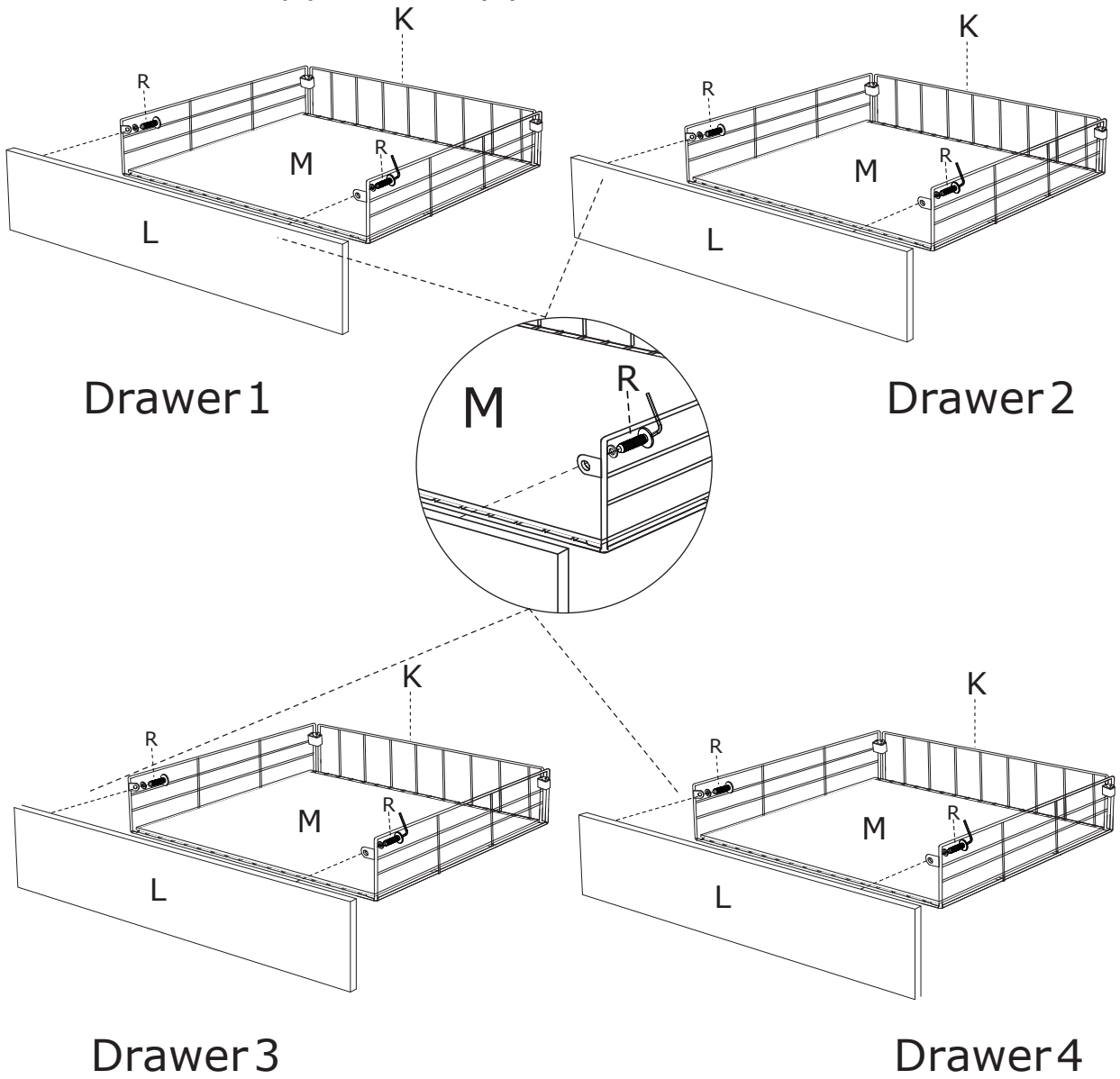
STEP 7 Insert the Castors (O) into the Drawer.



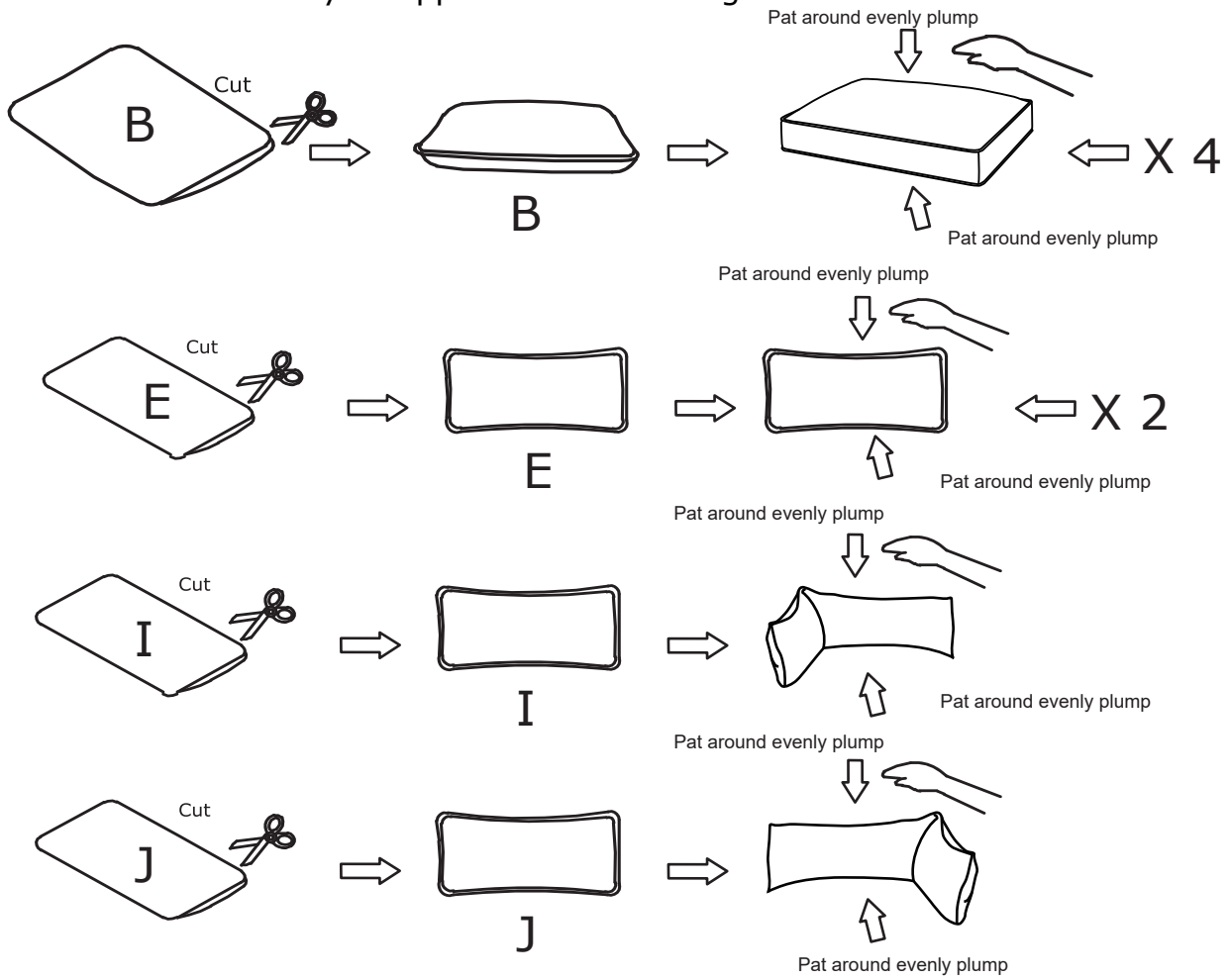
⊙ x 16



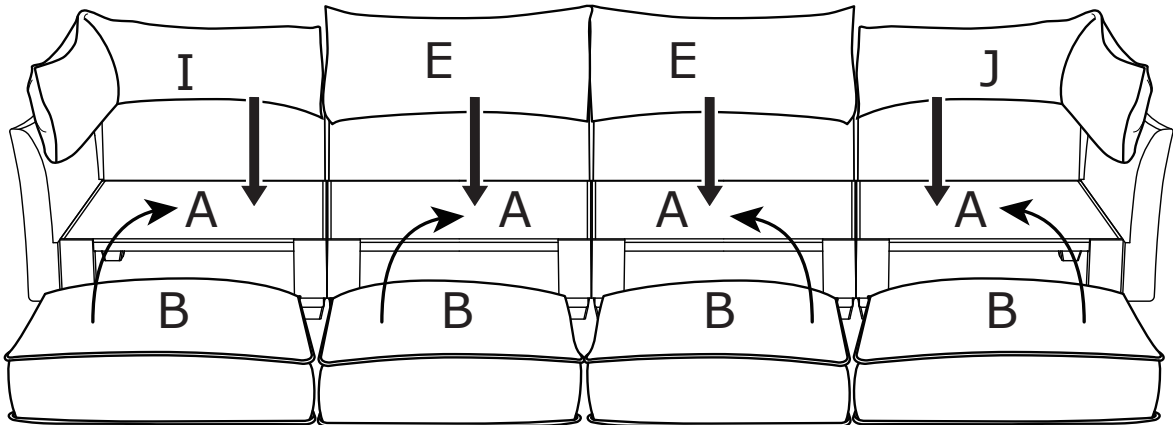
STEP 8 Insert the Drawer bottom Panel (M) in the Drawer. Assemble the Drawer front Panel (L) to the Drawer (K) with Washers (T) and Bolts (R).



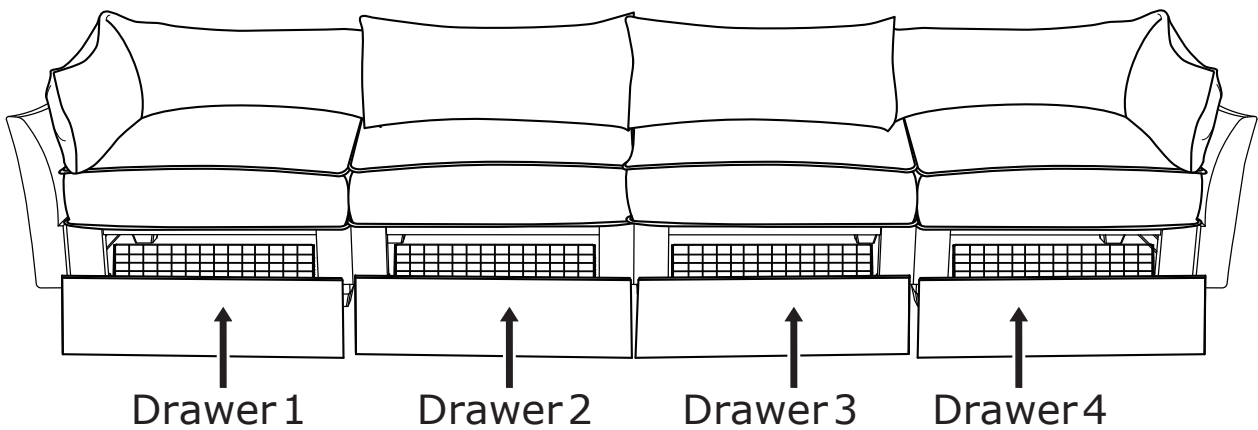
STEP 9 The cushion is packaged by vacuum compression. After cutting the package, it rebounds quickly within 4 hours. If the fabric has wrinkles, it will basically disappear after standing for 72 hours.



STEP 10 Put Seat cushion (B), Left back cushion(I), Right back cushion(J) and Back cushion (E) to the Sofa.



STEP 11 Push the drawers into the bottom of the sofa.



STEP 12 Completed.

