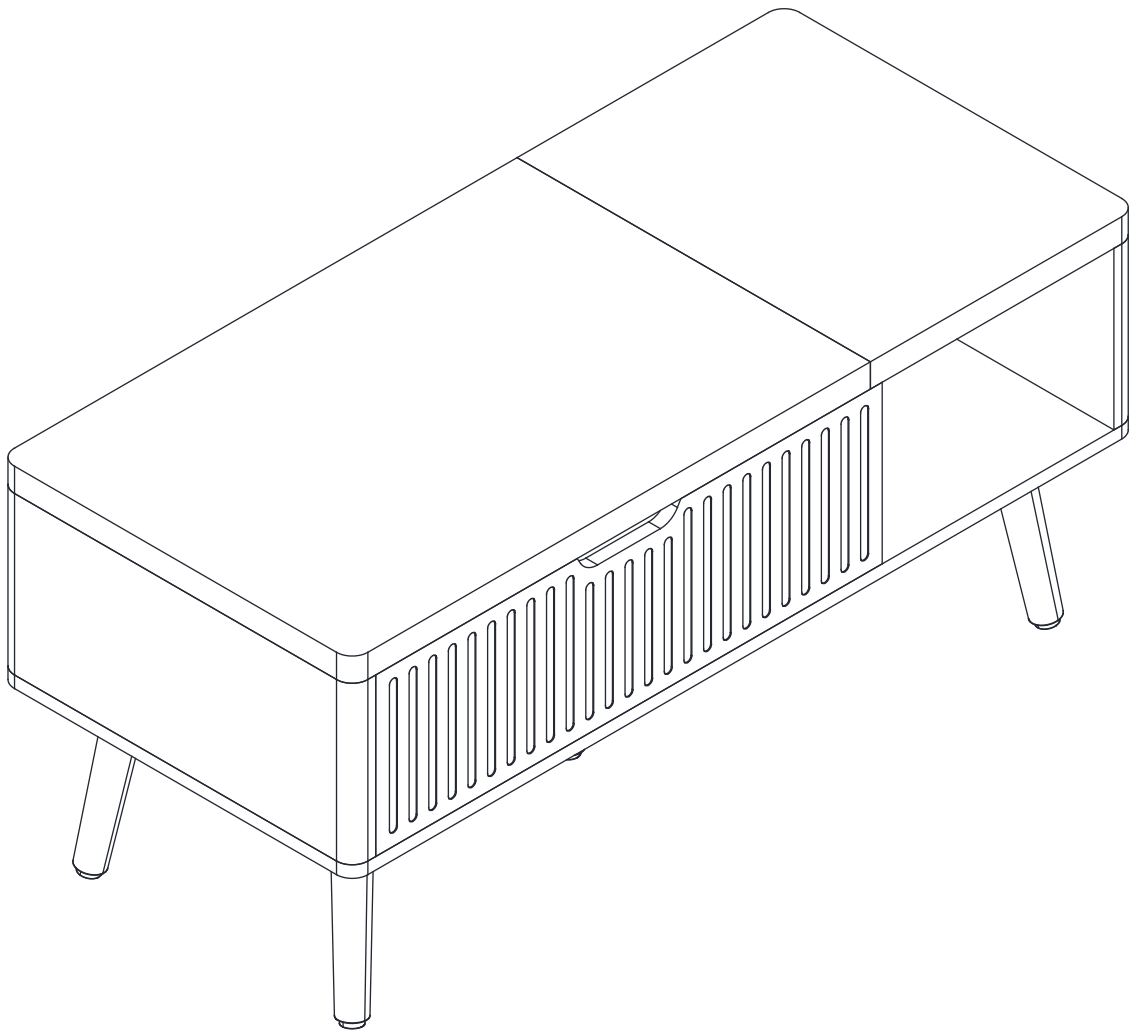
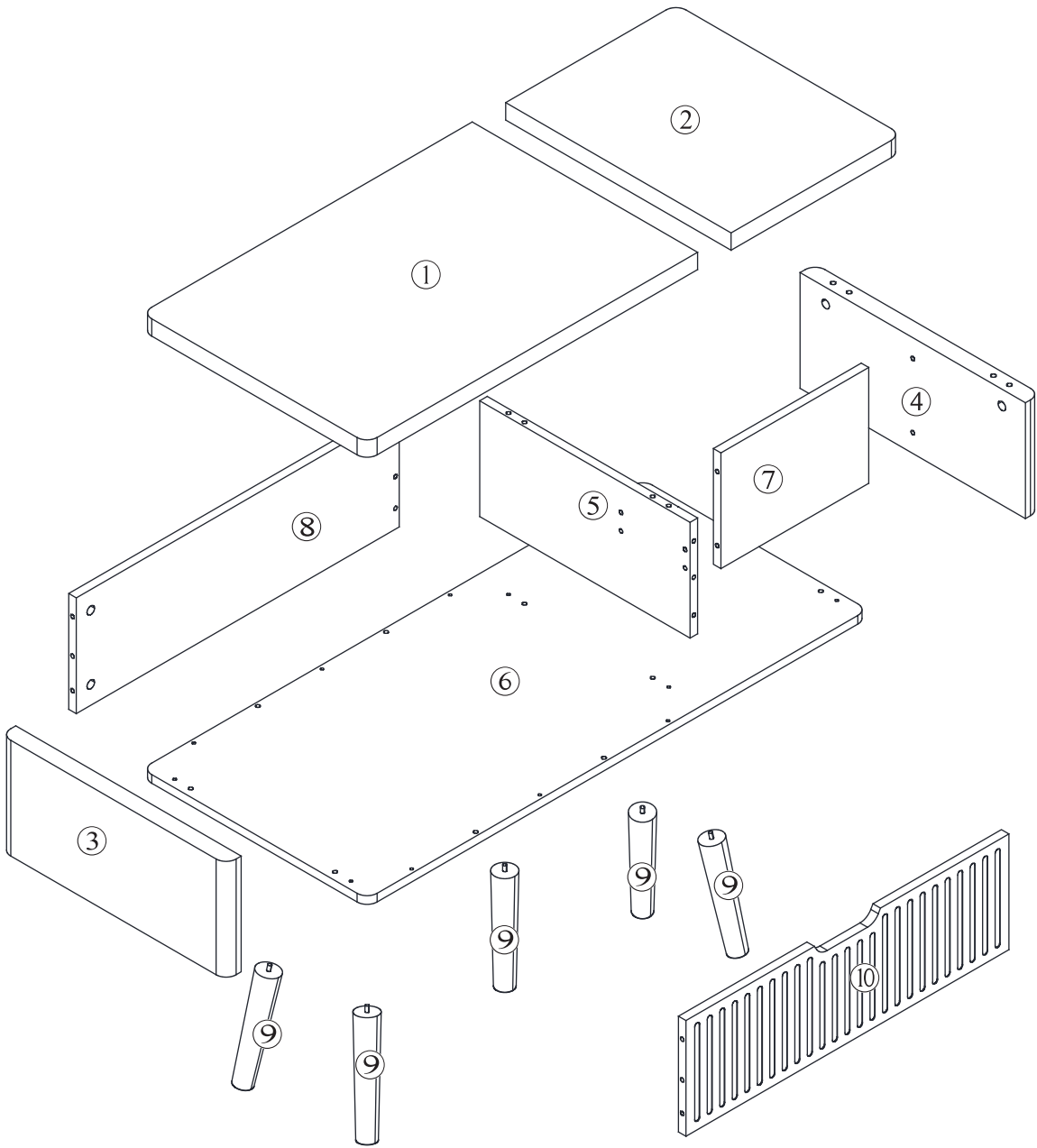


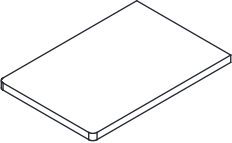
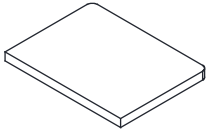
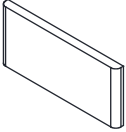
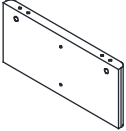
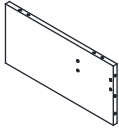
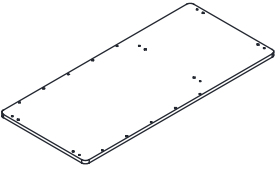
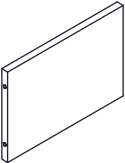
Assembly Instructions

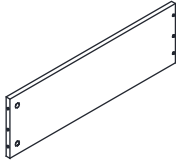

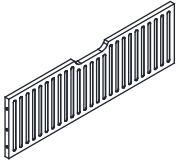


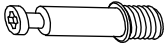
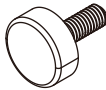

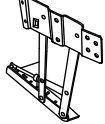

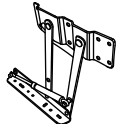
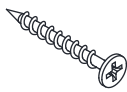
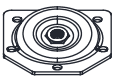
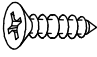

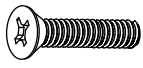

If you have any questions, please contact us

We will help you within 24 hours



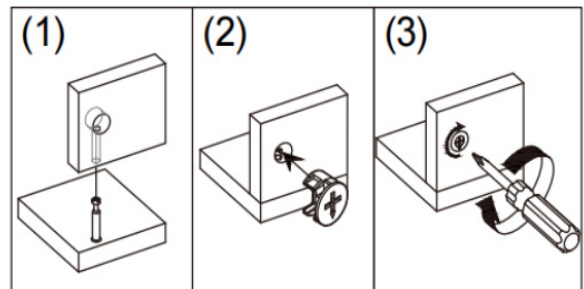
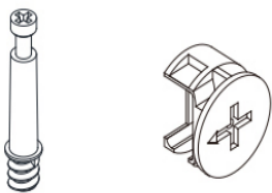
Item no.	Reference Image	Qty.
1		X1
2		X1
3		X1
4		X1
5		X1
6		X1
7		X1

Item no.	Reference Image	Qty.
8		X1
9		X5
10		X1

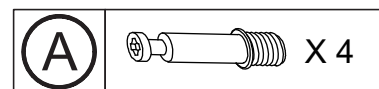
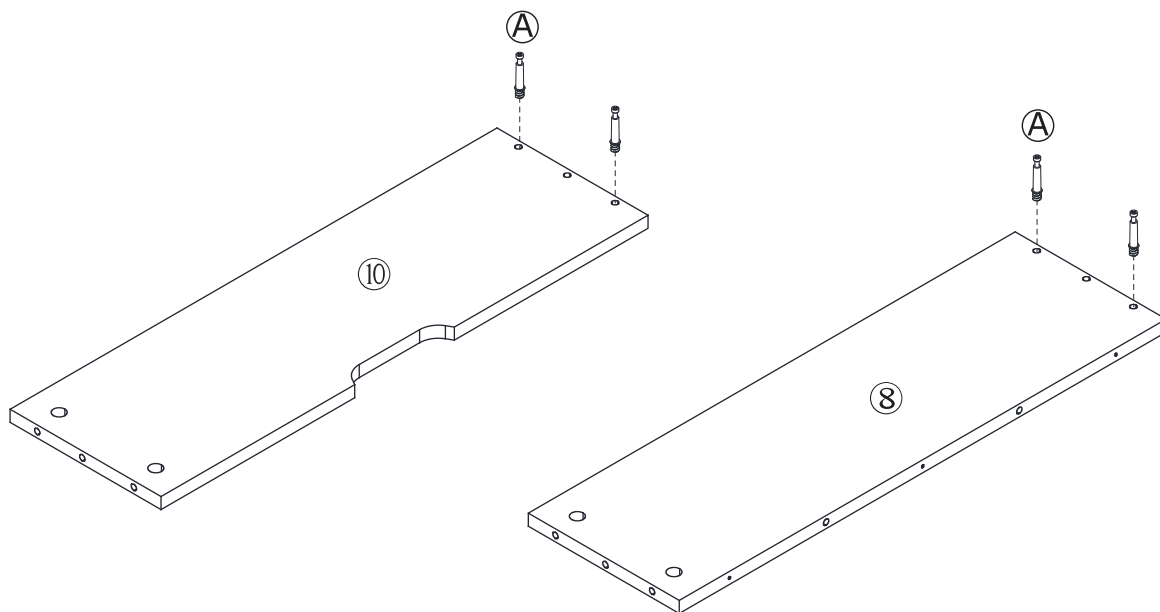
Item no.	Reference Image	Qty.	Item no.	Reference Image	Qty.
(A)	 M6*35mm	X12	(H)		X5
(B)	 M15*9.5mm	X12	(I)		X1
(C)	 M8*30mm	X22	(J)		X1
(D)	 M4*30mm	X12	(K)		X4
(E)	 M4*14mm	X20	(L)		X1
(F)	 M5*14mm	X8			
(G)	 M4*14mm	X8			

Cam Lock Fastening System

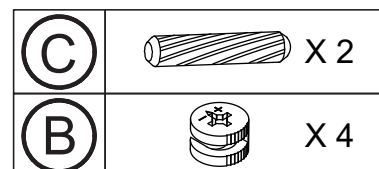
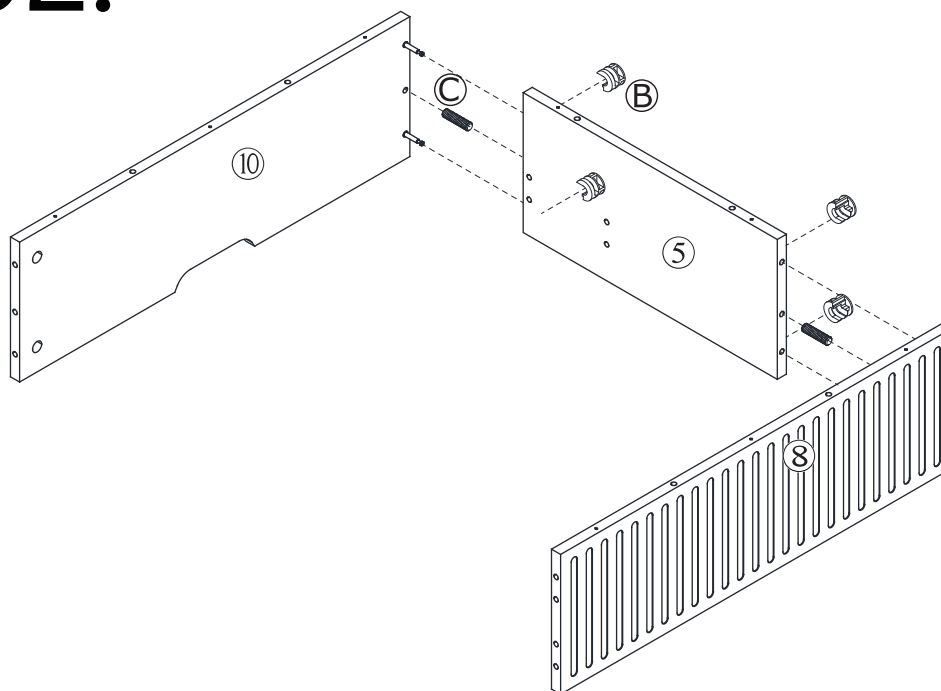
This Cam Lock Fastening System will be used throughout the assembly process



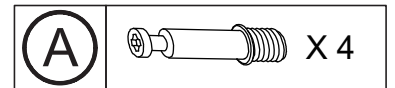
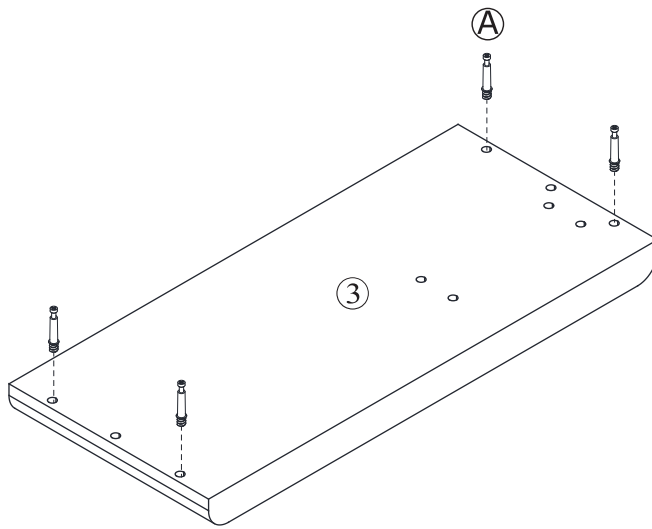
step 1:



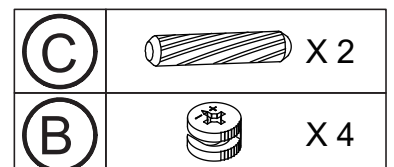
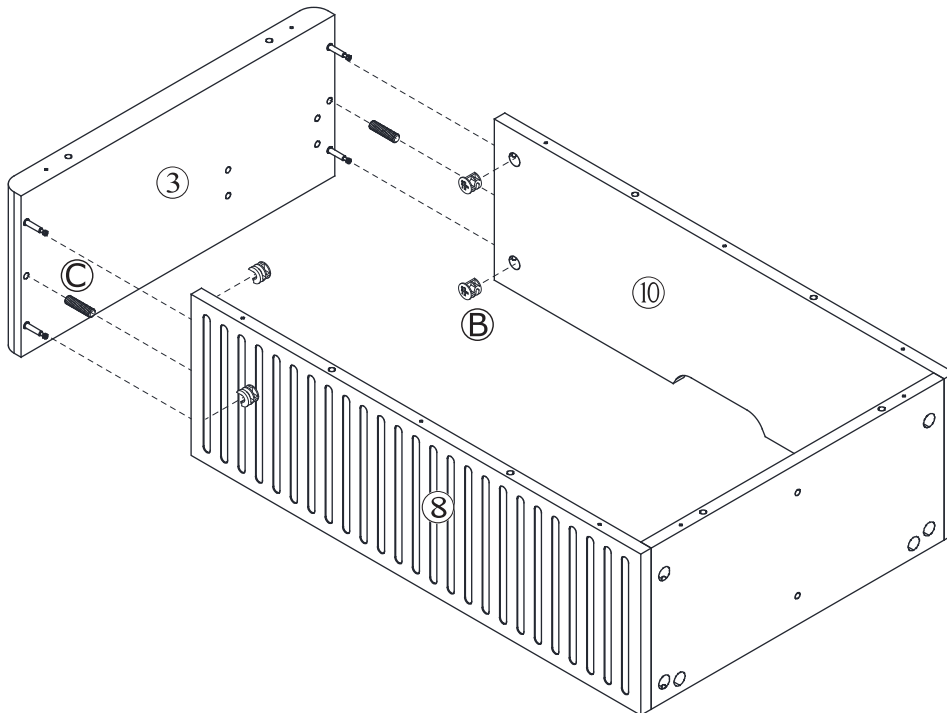
step 2:



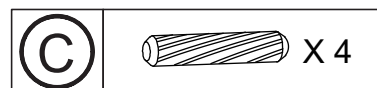
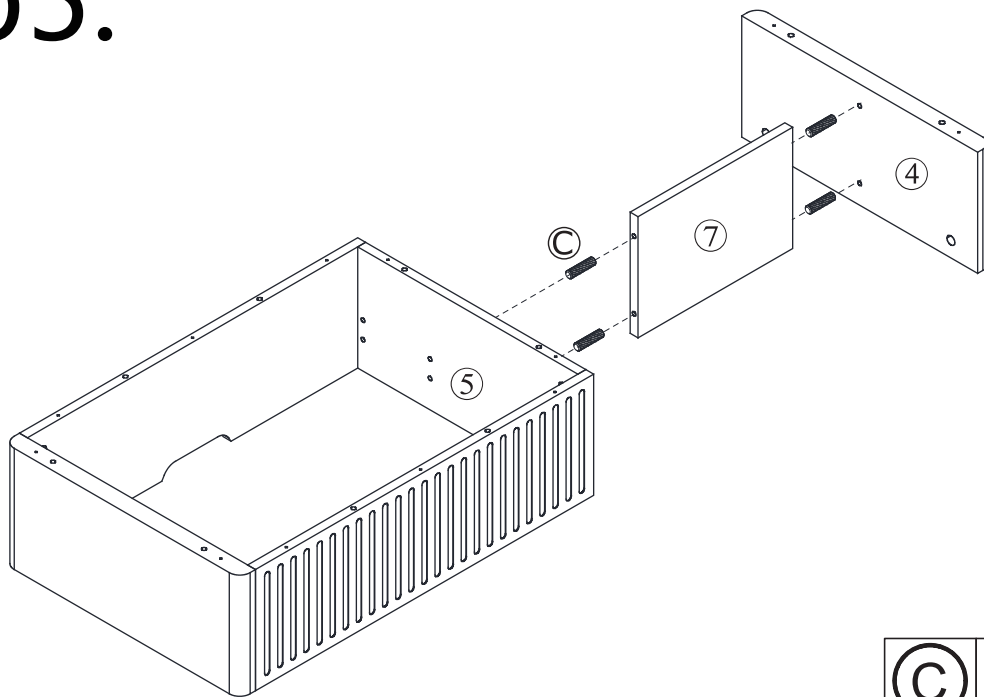
step3:



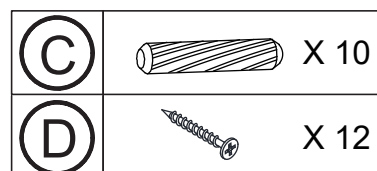
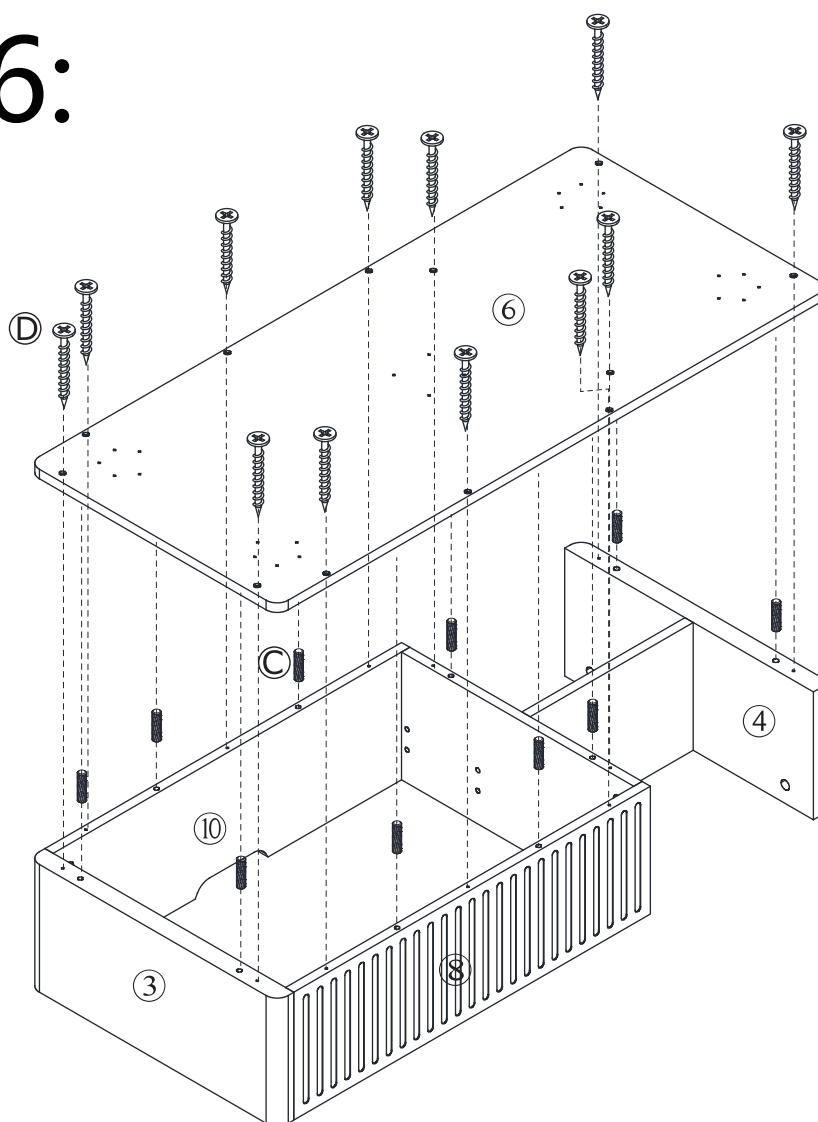
step4:



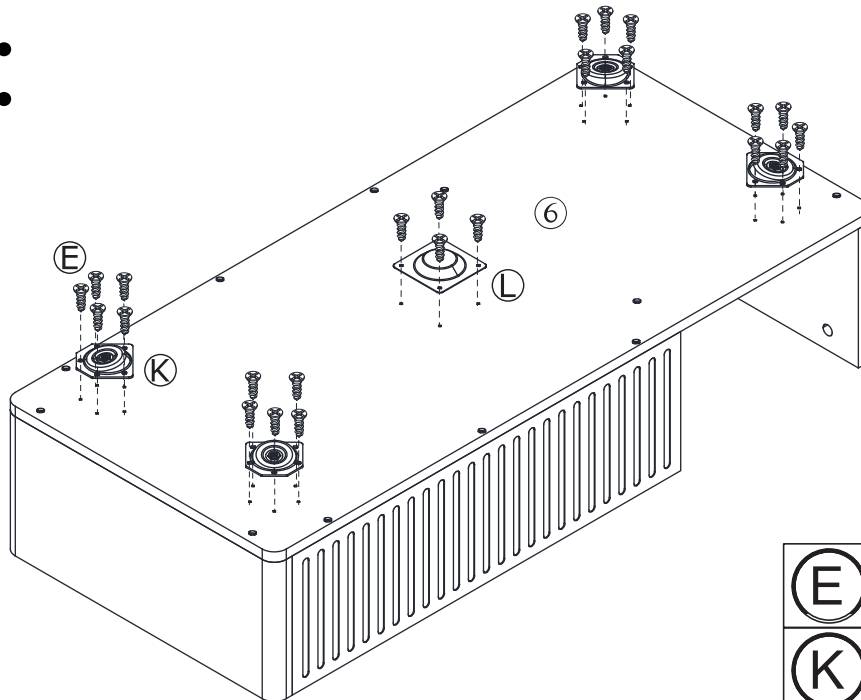
step 5:

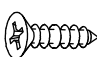
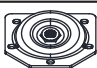



step 6:

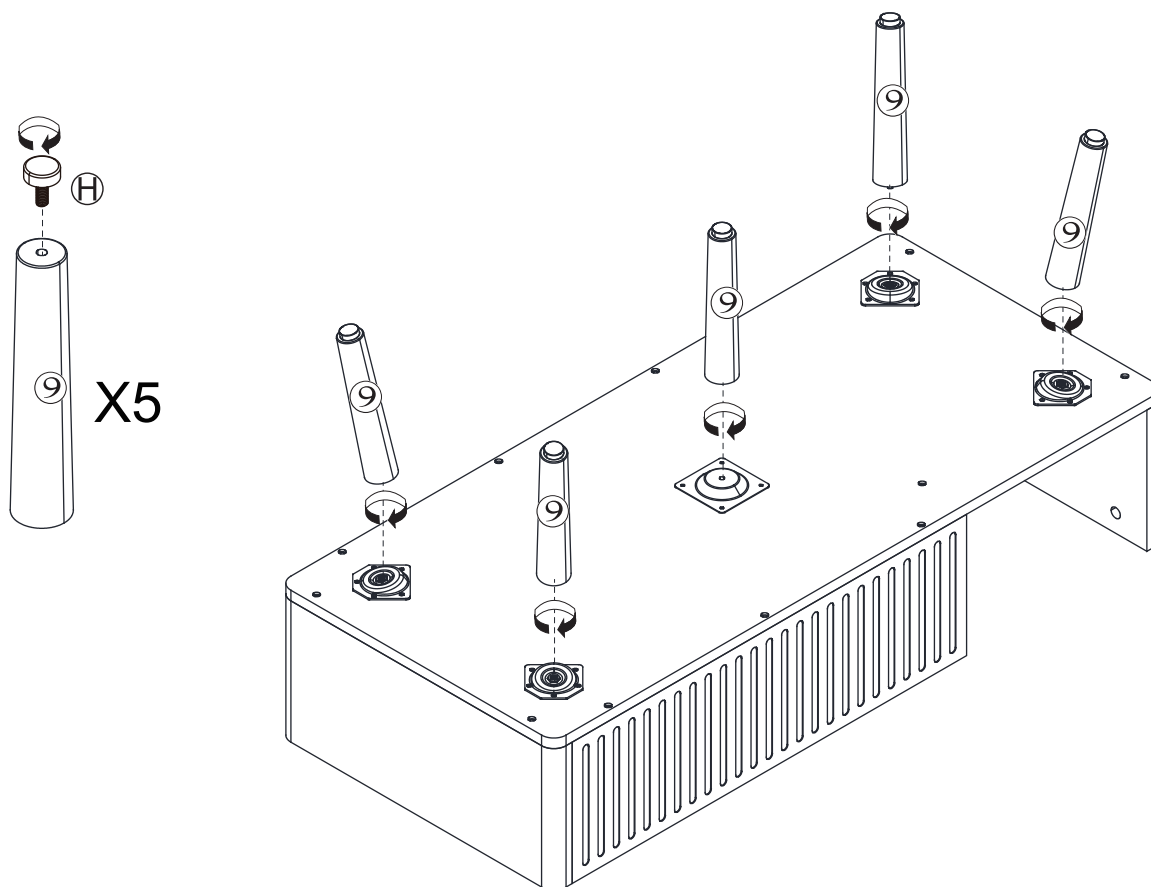



step 7:



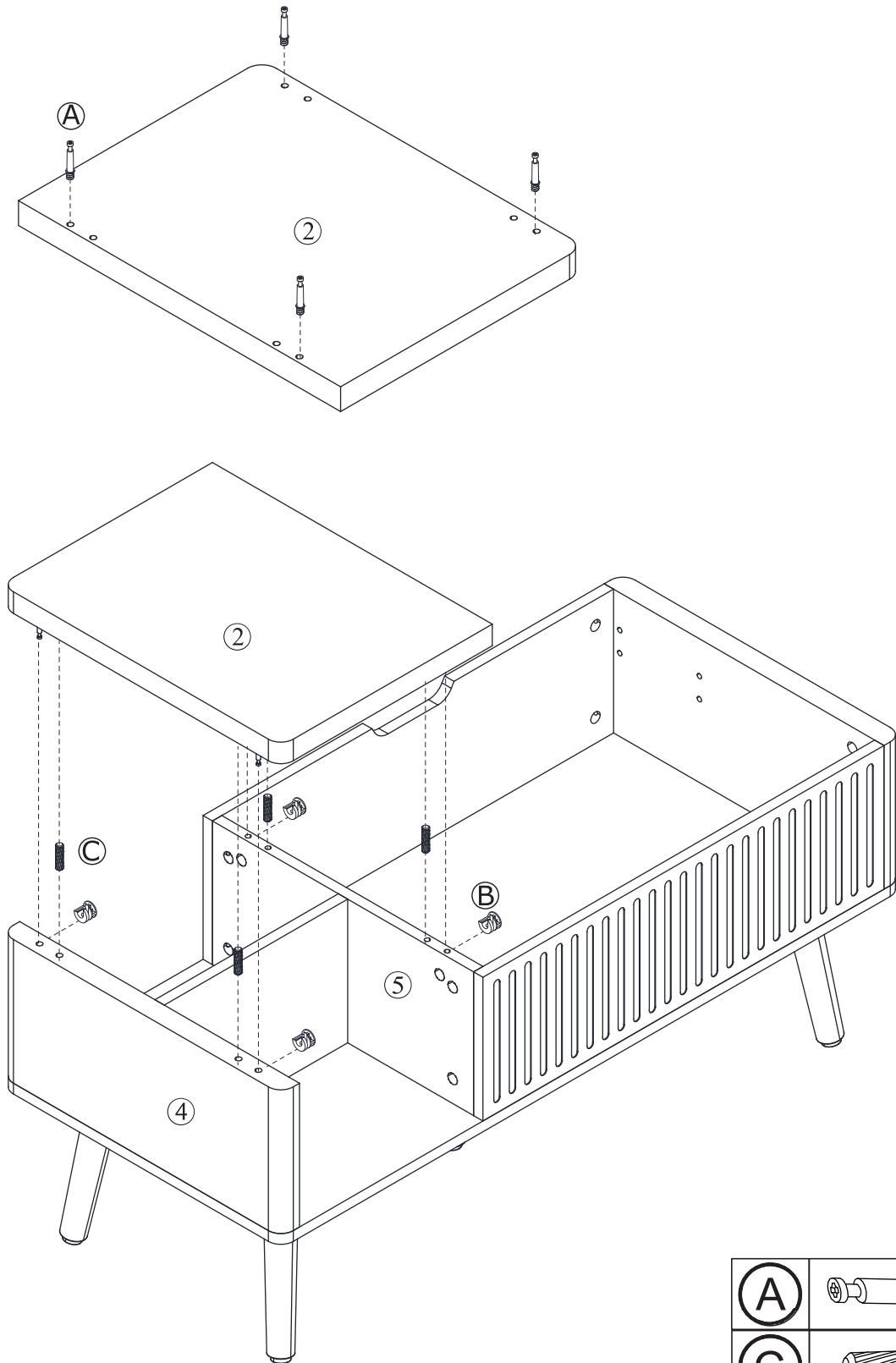
(E)		X 20
(K)		X 4
(L)		X 1

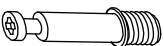


step 8:



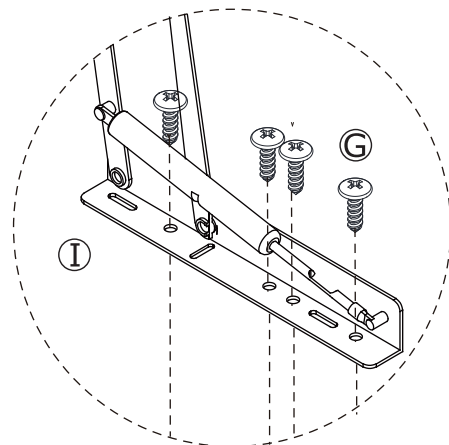
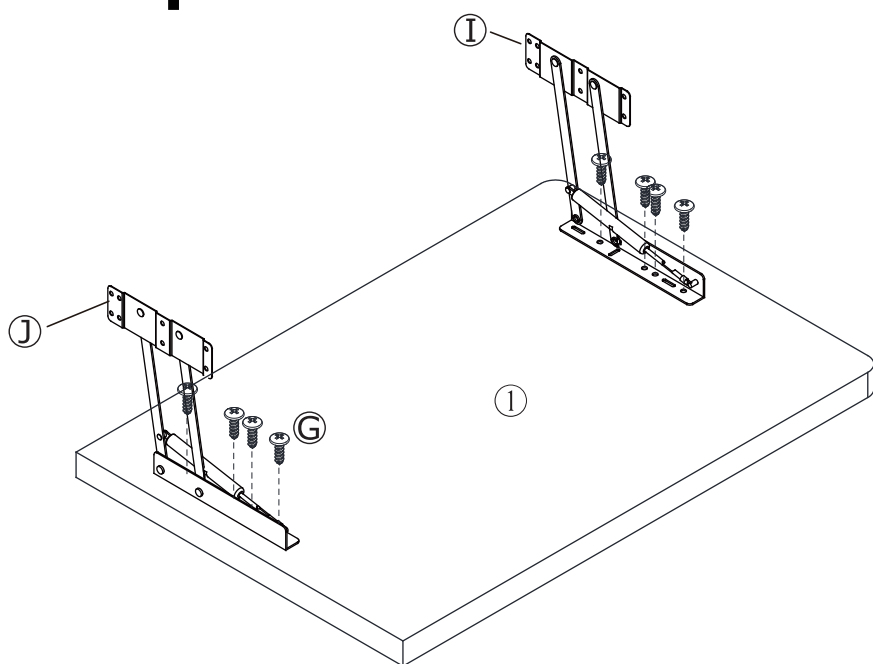
(H)		X 5
-----	---	-----




step9:



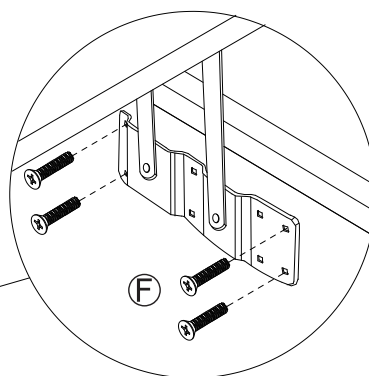
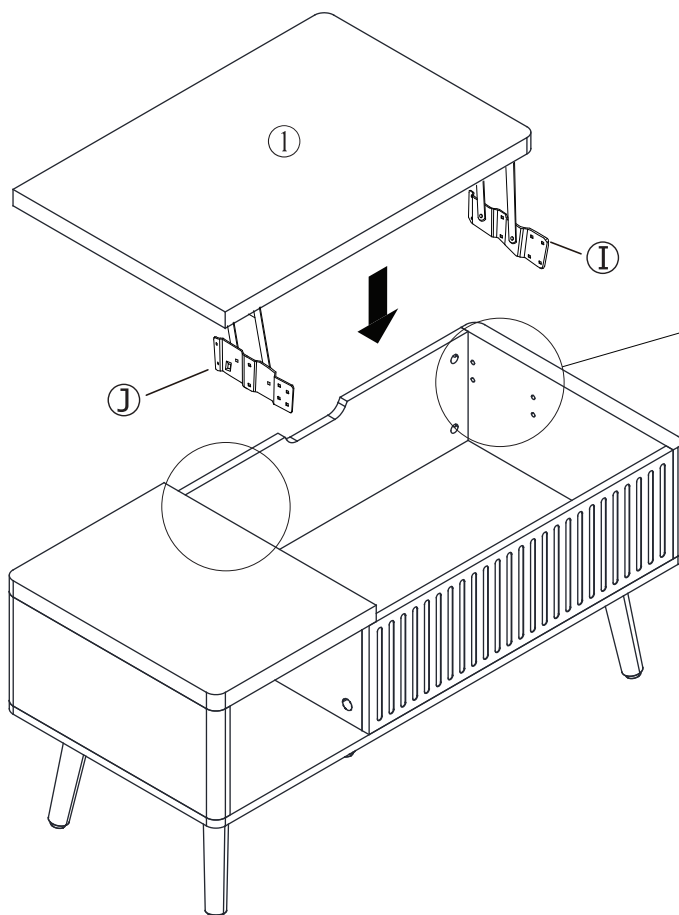
(A)	 X 4
(C)	 X 4
(B)	 X 4


step 10:



(G)		X 8
(I)		X 1
(J)		X 1

step 11:



(F)		X 8
-----	---	-----

step12:

Attention!
For your safety, do not put
anything on the top during lifting.

