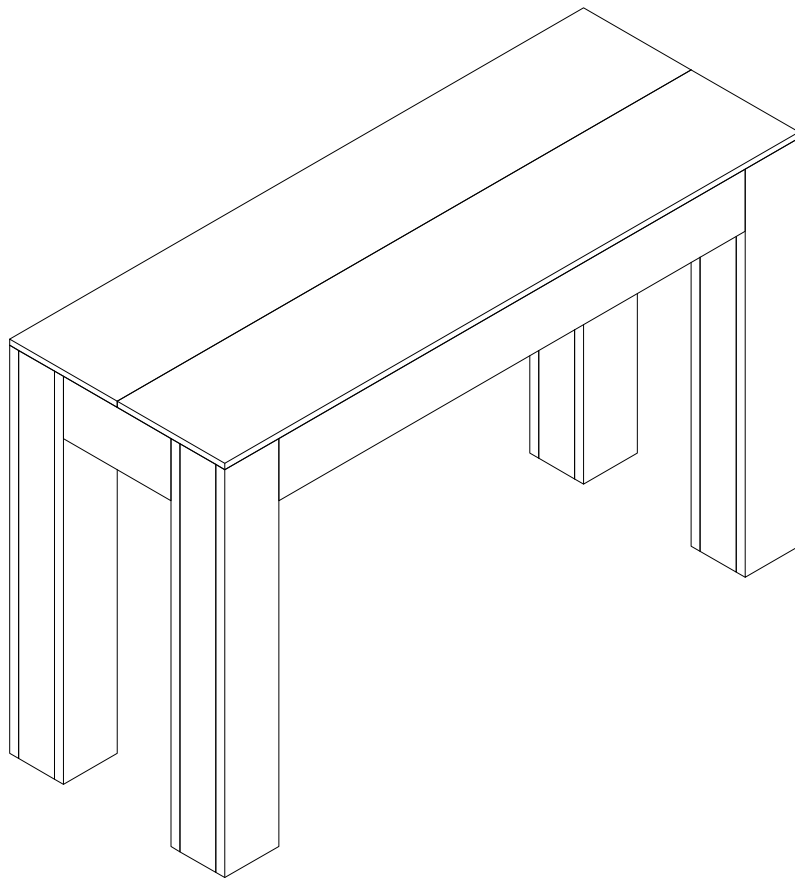


Assembly Instructions

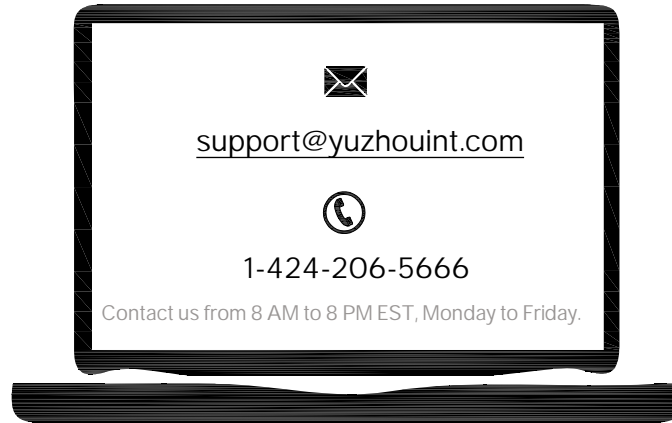


Bar Table

Model No.
HOGA-RY0352

Contact Us

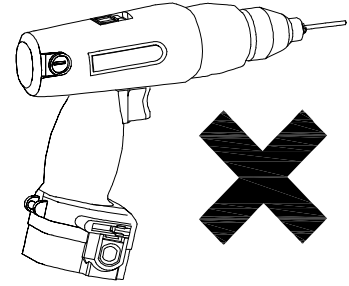
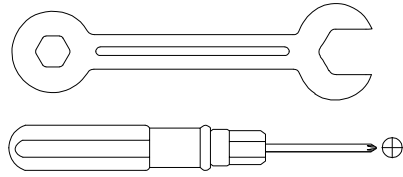
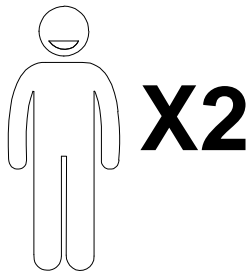
We're here to help you.



Your satisfaction is our top priority. If you encounter any issues with this product, such as missing or damaged parts, we're here to help. Please retain the original packaging and take photos of the packaging and the product, then contact us as soon as possible.

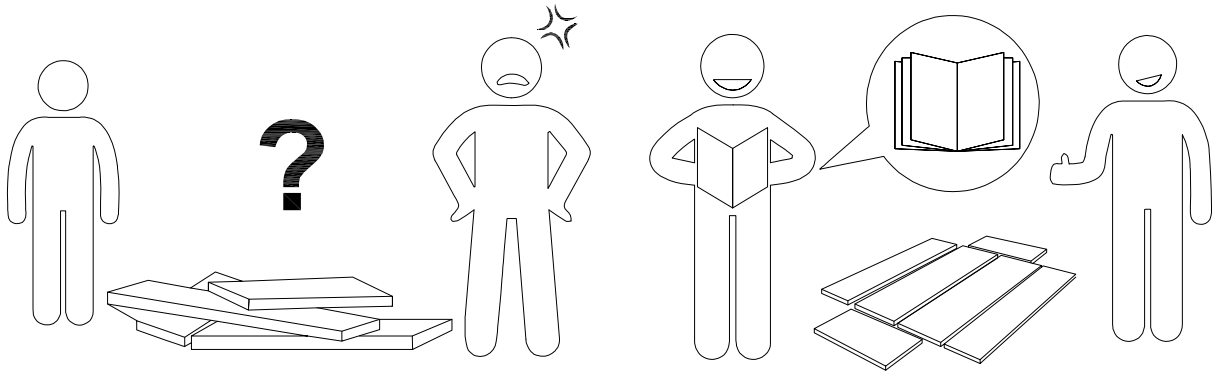
Warm Tips

1. Carefully read these instructions and keep them for future reference.
2. Check the parts list and confirm everything's there before starting assembly.
3. When assembling, put all parts on a soft, smooth surface like a carpet to avoid scratches.
4. Don't fully tighten screws until all parts are confirmed in place to avoid misalignment.



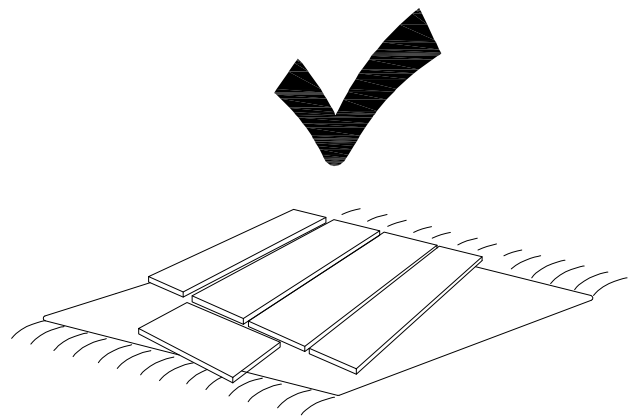
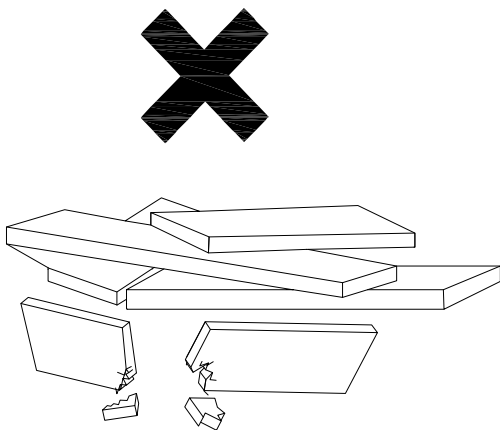
We recommend using hand tools for assembly.

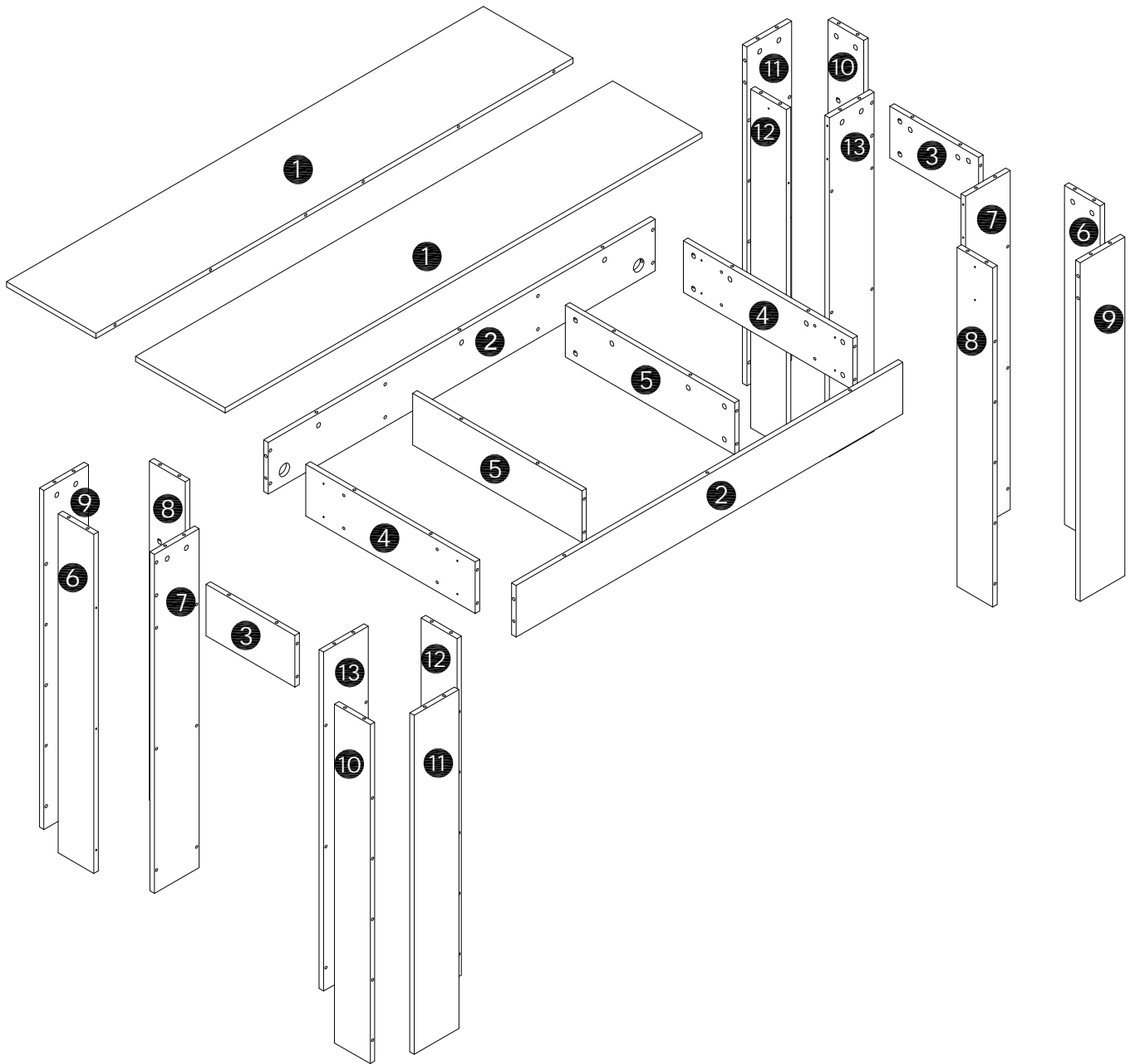
If an electric screwdriver is used, reduce power and torque to avoid damage to the product.



AVOID SCRATCHES

In order to avoid scratching, this furniture should be assembled on a soft surface, such as a rug.

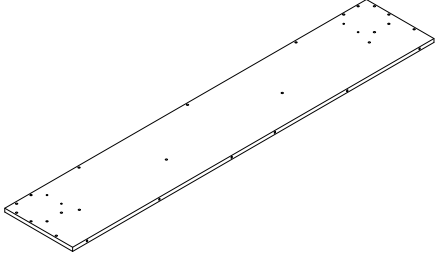
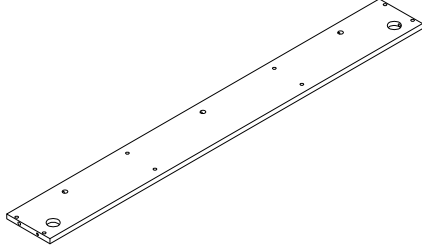
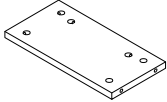
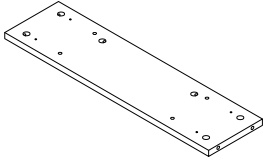
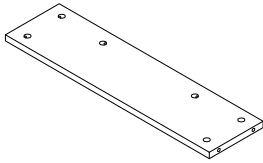
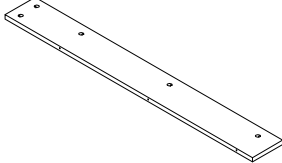
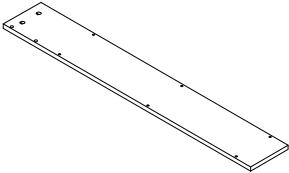
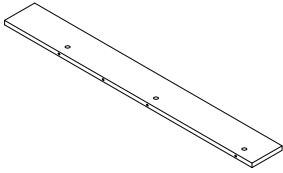
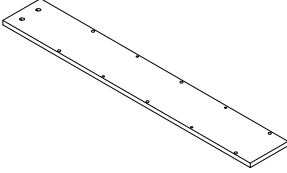
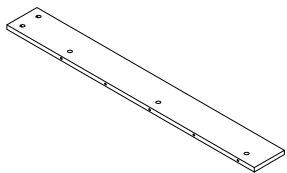
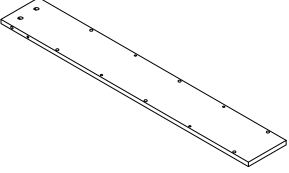
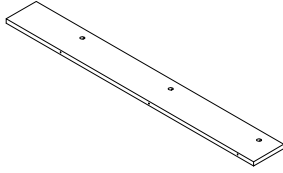
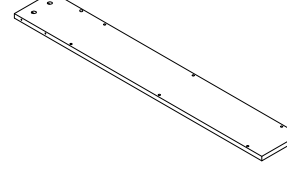




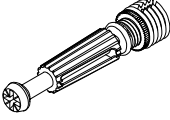
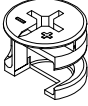




 **Caution**


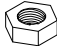

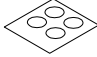
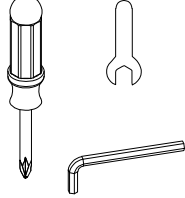
Make sure all parts are included. Most board parts are labeled or stamped on the raw edge. Contact us for a free replacement if you encounter any damaged or missing parts.

Parts List

<p>1</p>  <p>2 pcs</p>	<p>2</p>  <p>2 pcs</p>		
<p>3</p>  <p>2 pcs</p>	<p>4</p>  <p>2 pcs</p>	<p>5</p>  <p>2 pcs</p>	<p>6</p>  <p>2 pcs</p>
<p>7</p>  <p>2 pcs</p>	<p>8</p>  <p>2 pcs</p>	<p>9</p>  <p>2 pcs</p>	<p>10</p>  <p>2 pcs</p>
<p>11</p>  <p>2 pcs</p>	<p>12</p>  <p>2 pcs</p>	<p>13</p>  <p>2 pcs</p>	

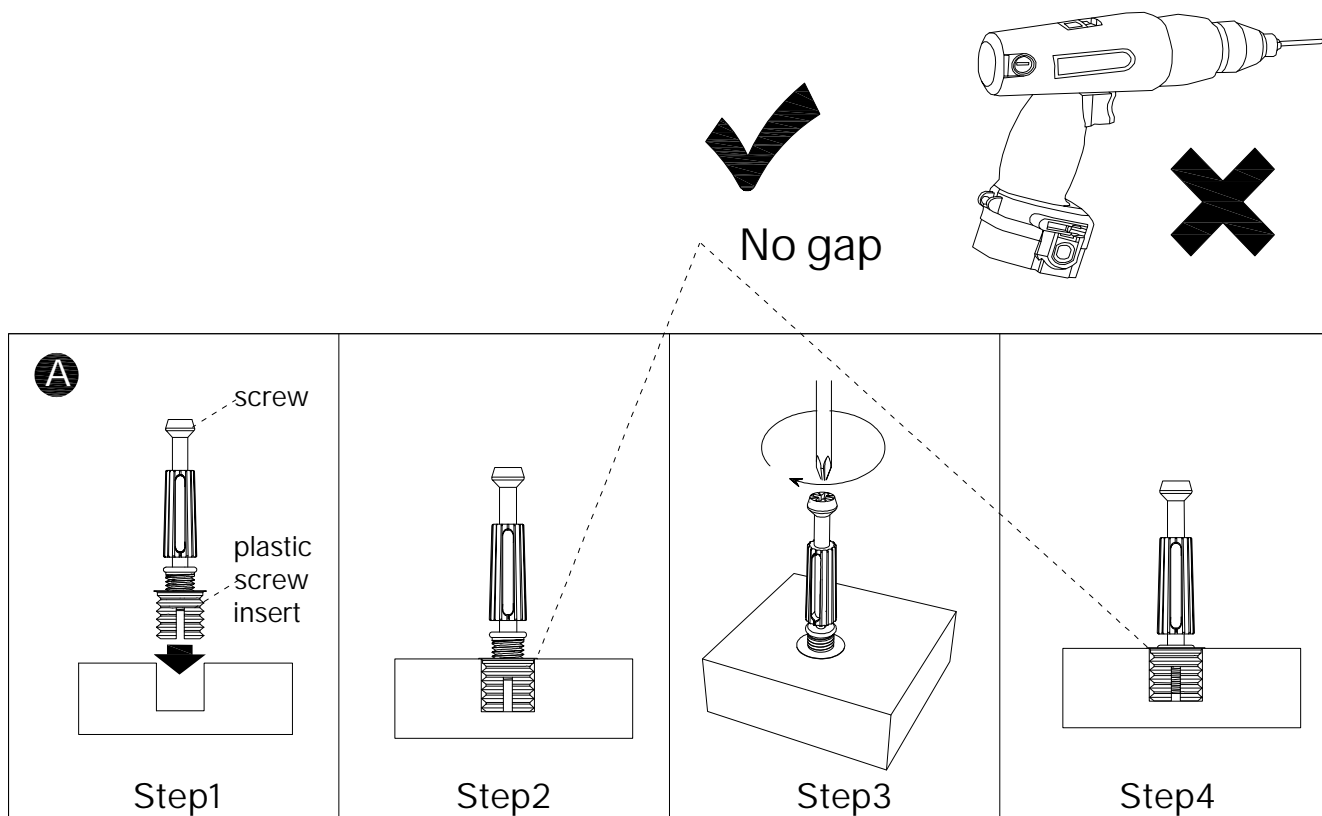
Hardware List

A	B	C	D	E	F
					
Ø6x40mm	Ø15x12mm	Ø6x38mm	Ø8x30mm	Ø4x25mm	Ø6x80mm
90 pcs	90 pcs	32 pcs	34 pcs	8 pcs	4 pcs

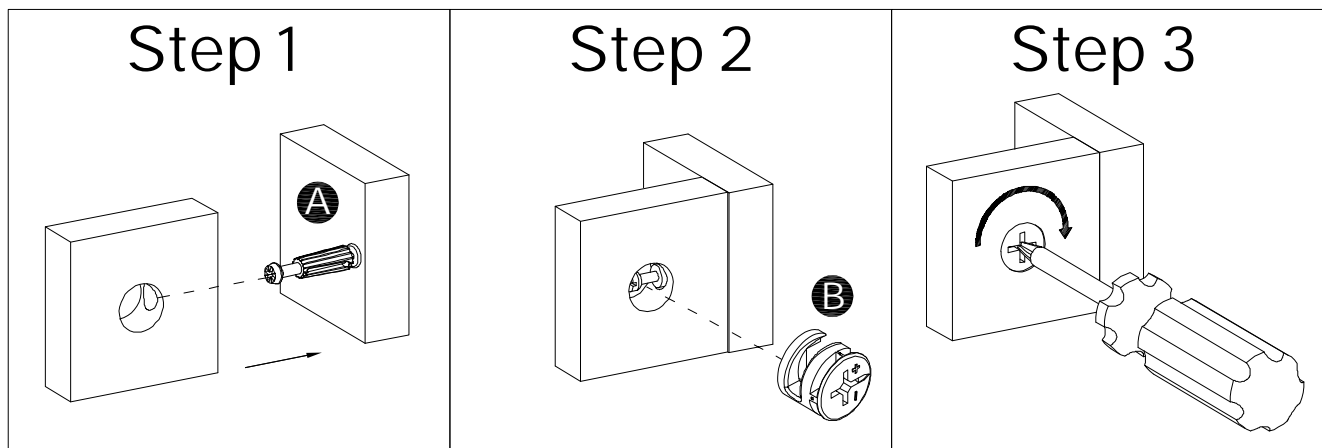
G	H	I	J	K	
					
4 pcs	4 pcs	16 pcs	24 pcs	1 pc	

Installation of Cams and Pins

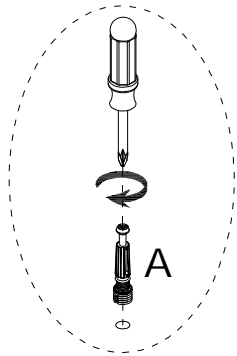
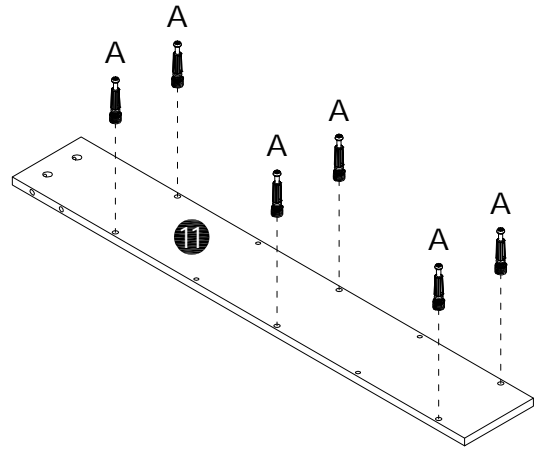
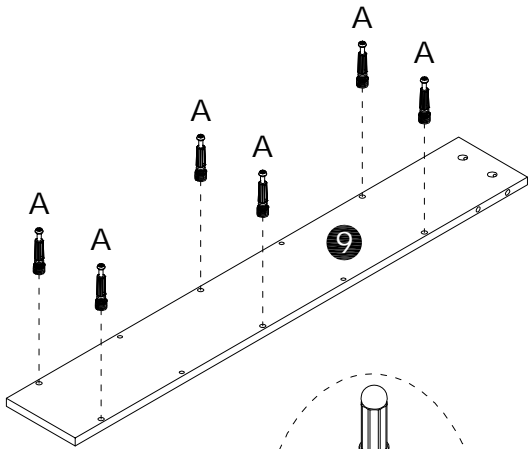
Step 1-2: Align the plastic part with the mounting hole and press it in. If you can't press it in, loosen the screw counter clockwise or completely remove the screw from the plastic part and try again.
 Step 3-4: After pressing the plastic part into place, use a screwdriver to tighten the screw clockwise.




Screw the pin into the hole. Set the cams correctly by aligning the head of the cams with the lock pins. Lock the cam by turning the cam head with a screwdriver until it is tightened. Please do not use an electric screwdriver to assemble the unit.



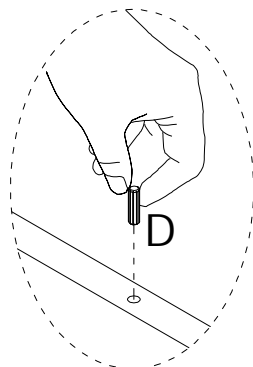
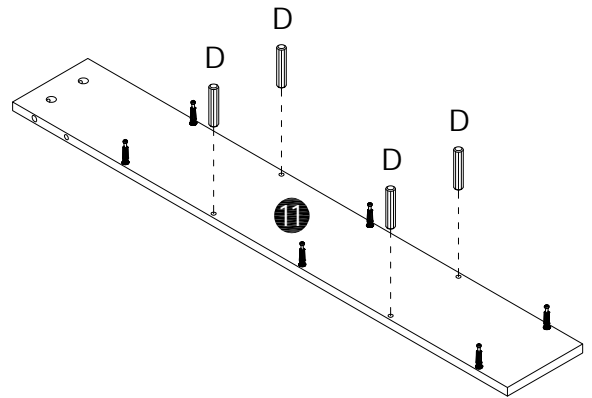
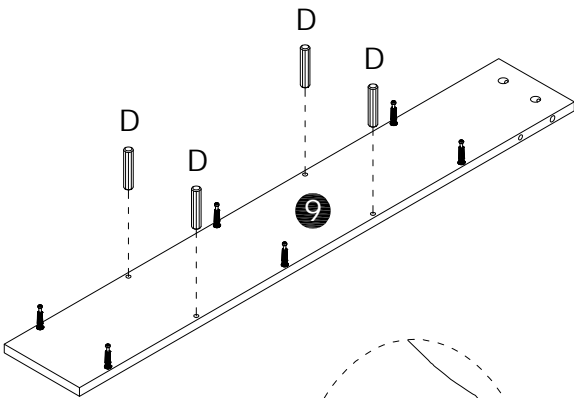
1




X2

A

Ø6x40mm
24 pcs

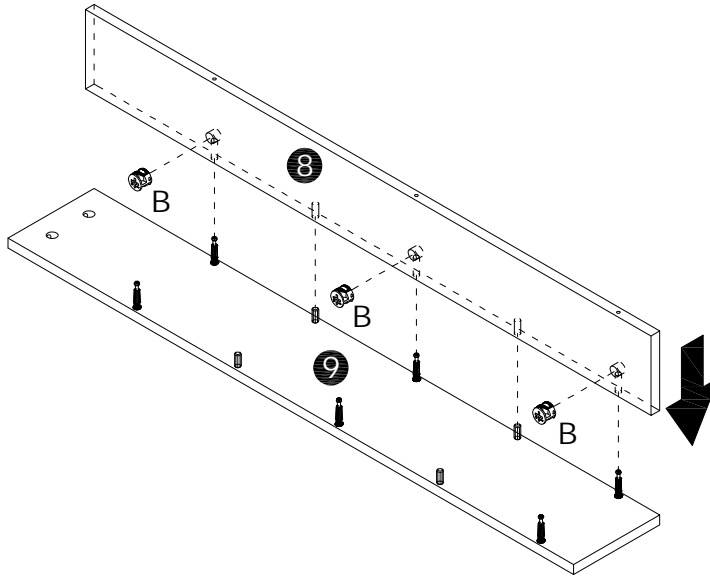
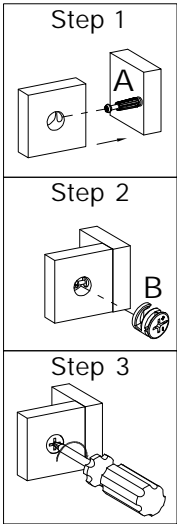
2




X2

D

Ø8x30mm
16 pcs

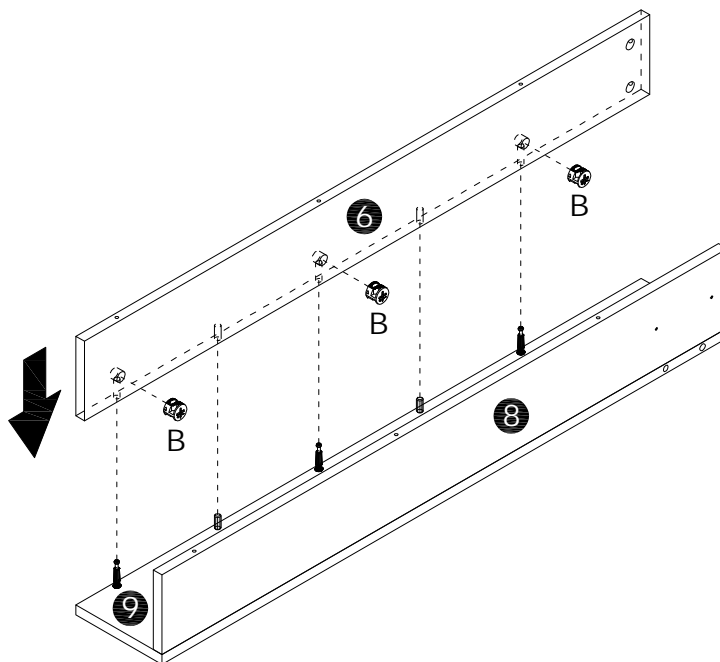
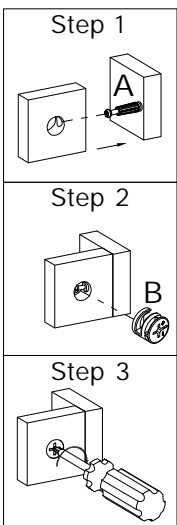
3




B

Ø15x12mm
6 pcs

X2

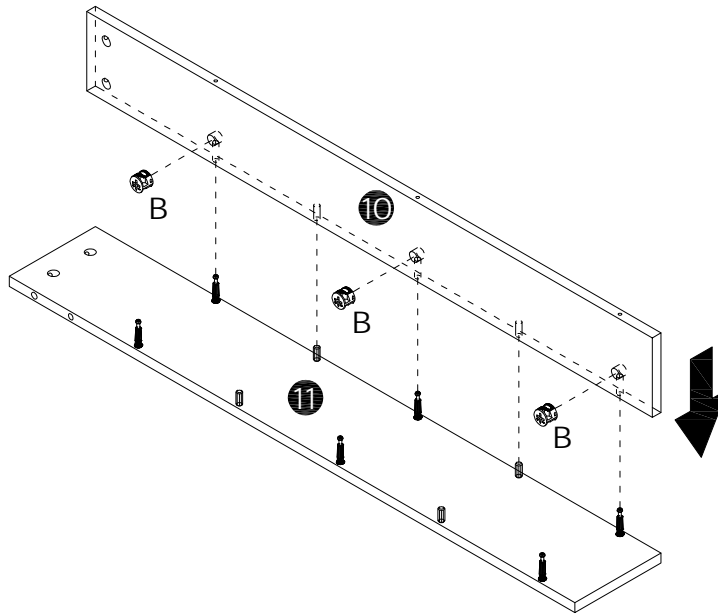
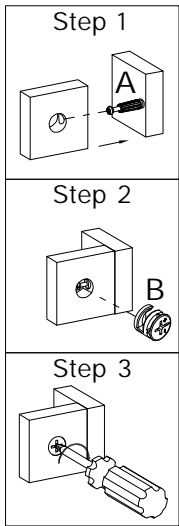
4




B

Ø15x12mm
6 pcs

X2

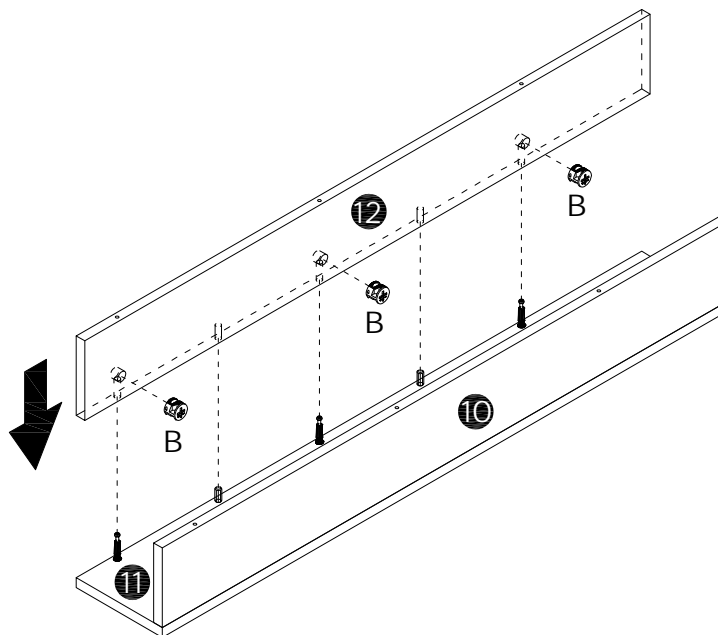
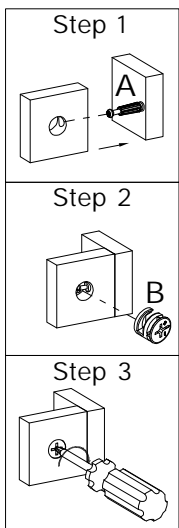
5




B

Ø15x12mm
6 pcs

X2

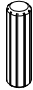
6

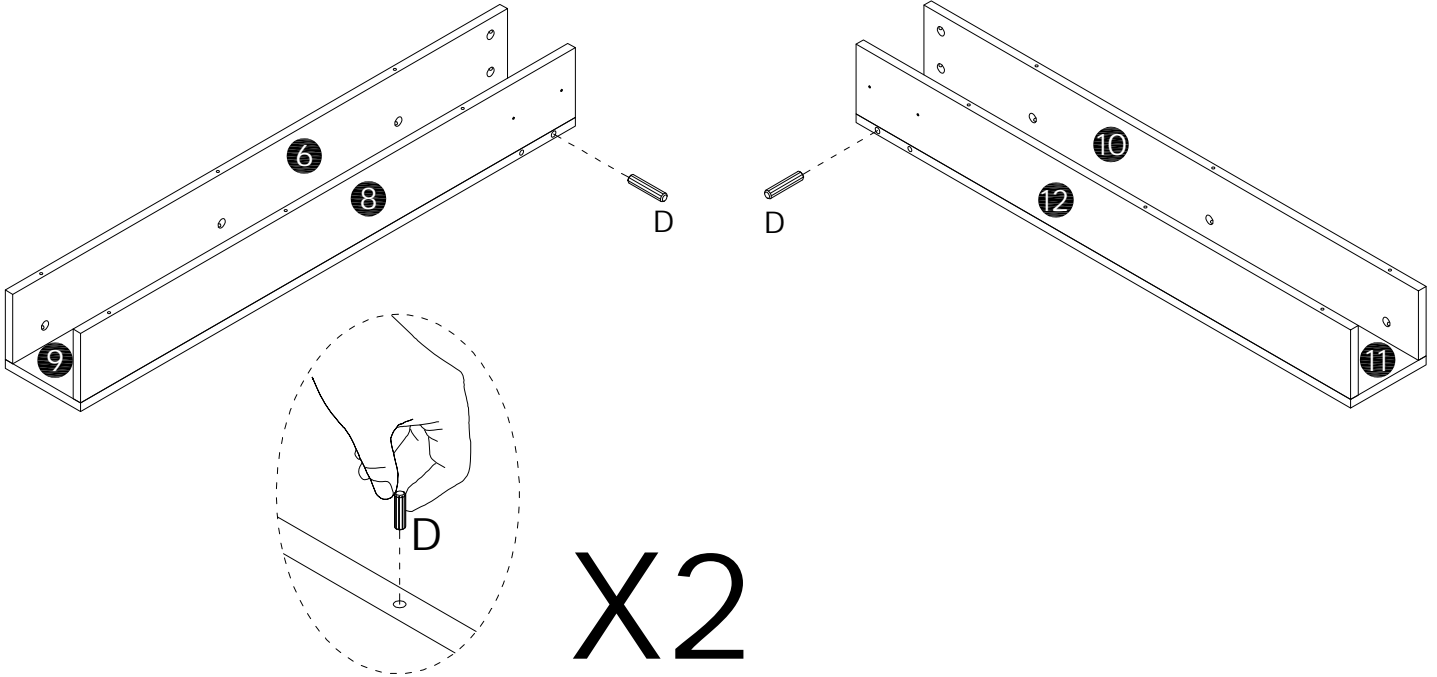


B

Ø15x12mm
6 pcs


X2

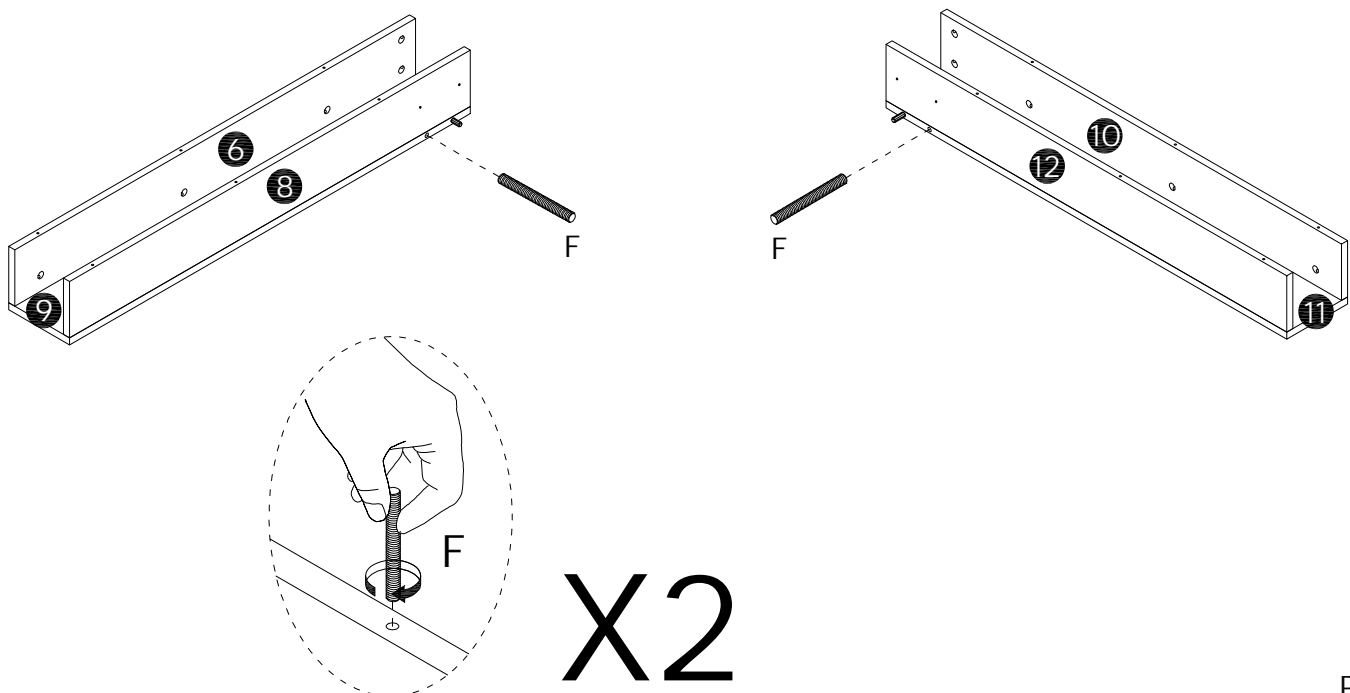
7

D

Ø8x30mm
4 pcs

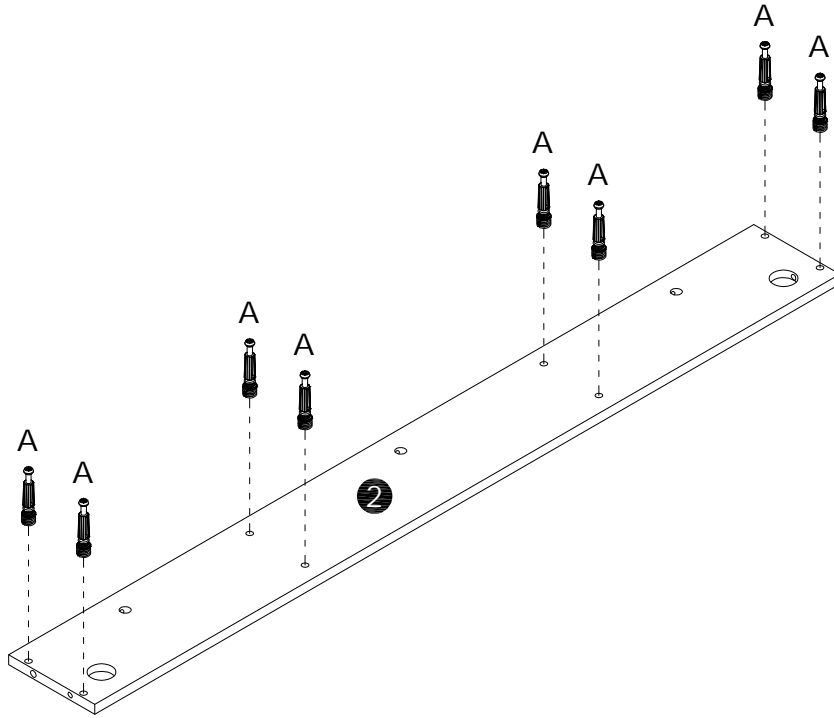



8

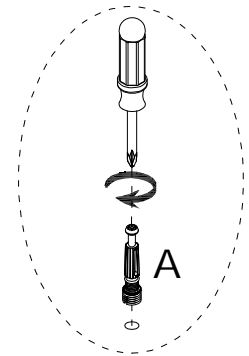
F

Ø6x80mm
4 pcs



9

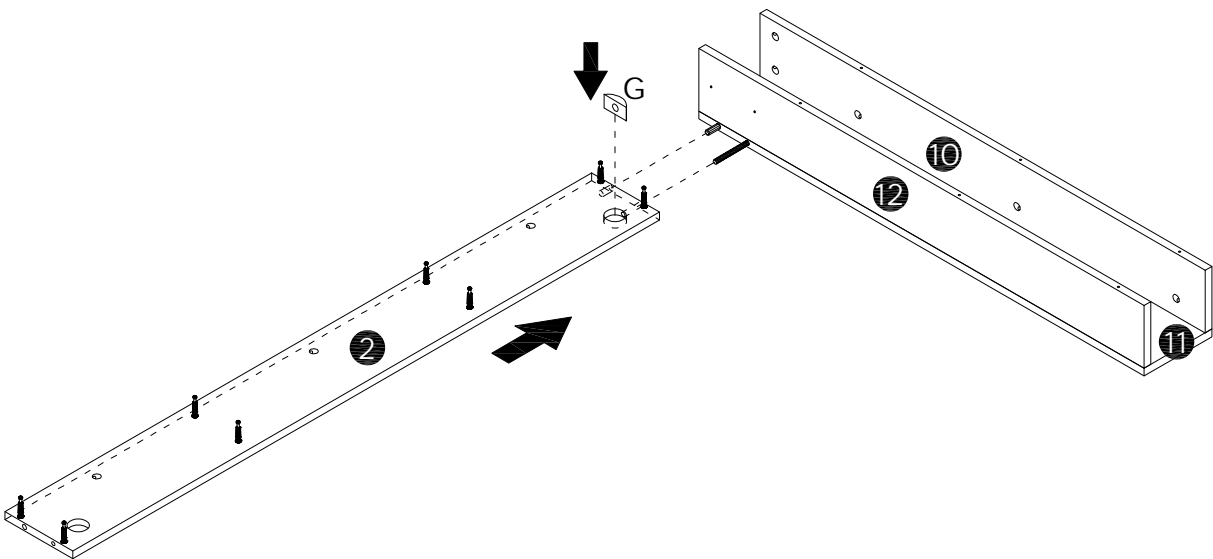



A

Ø6x40mm
16 pcs



X2

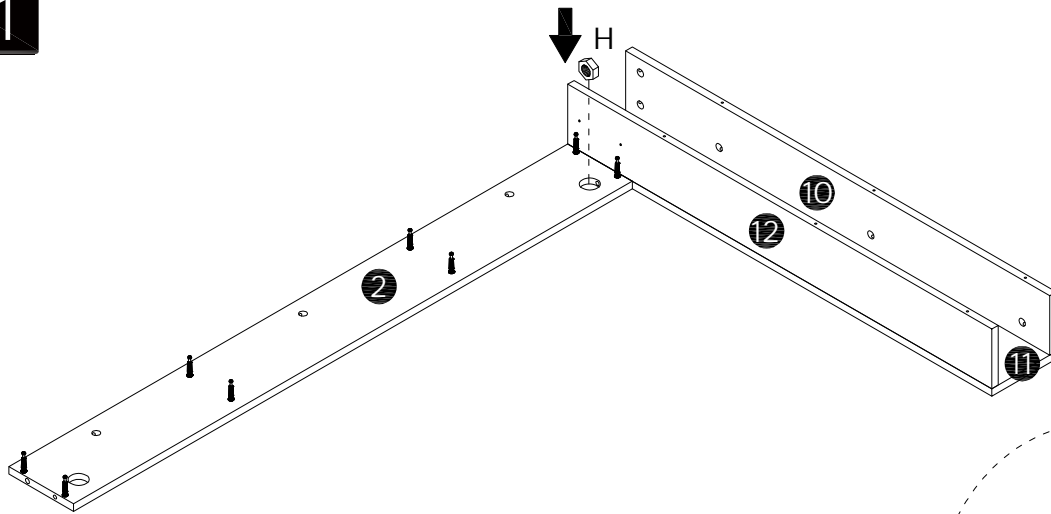
10




G

2 pcs

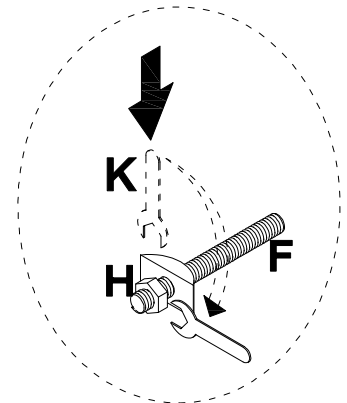
X2

11

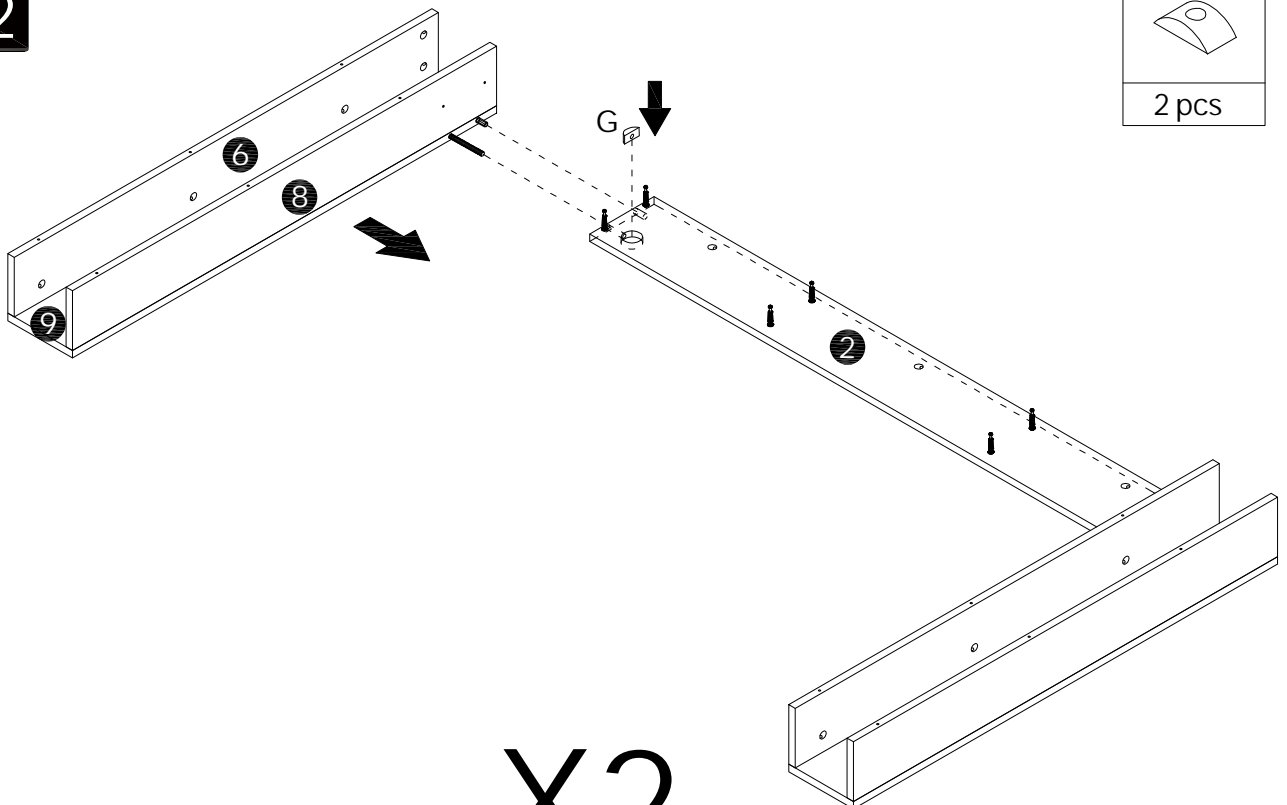



H

2 pcs

X2



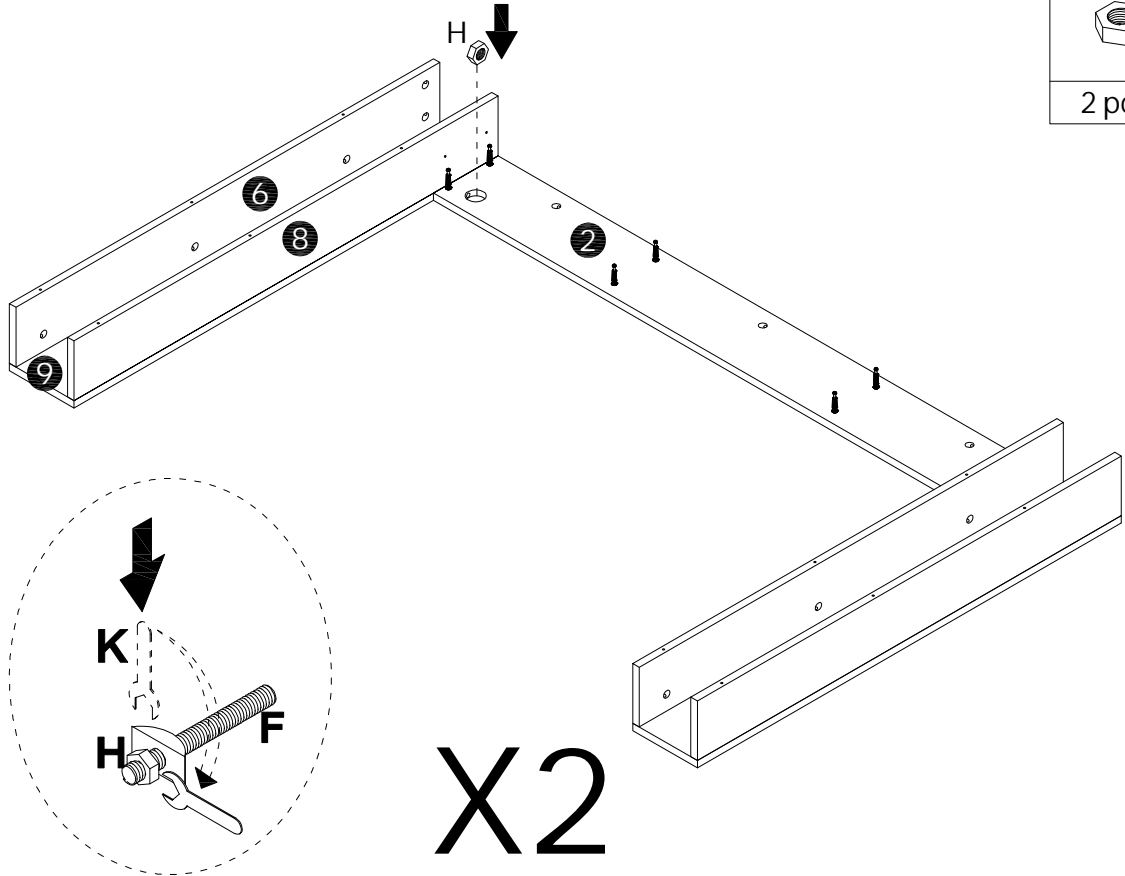
12

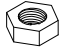


G

2 pcs

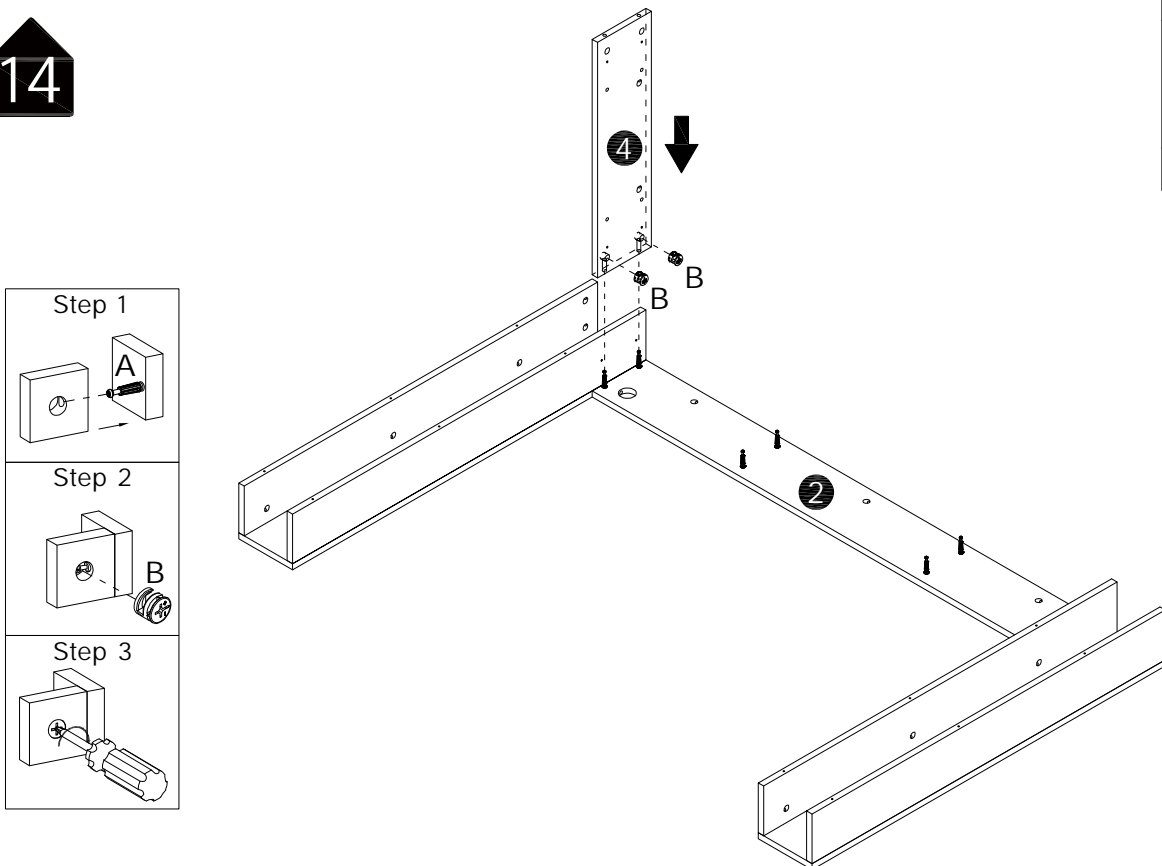
X2


13



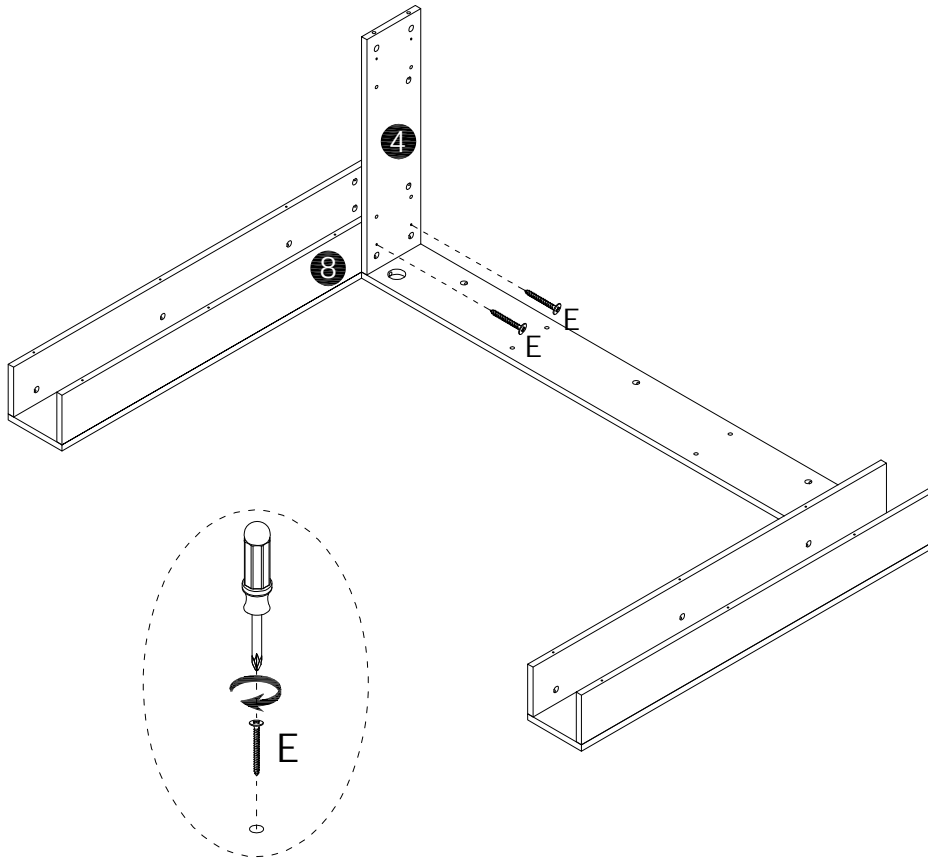
H

2 pcs


14



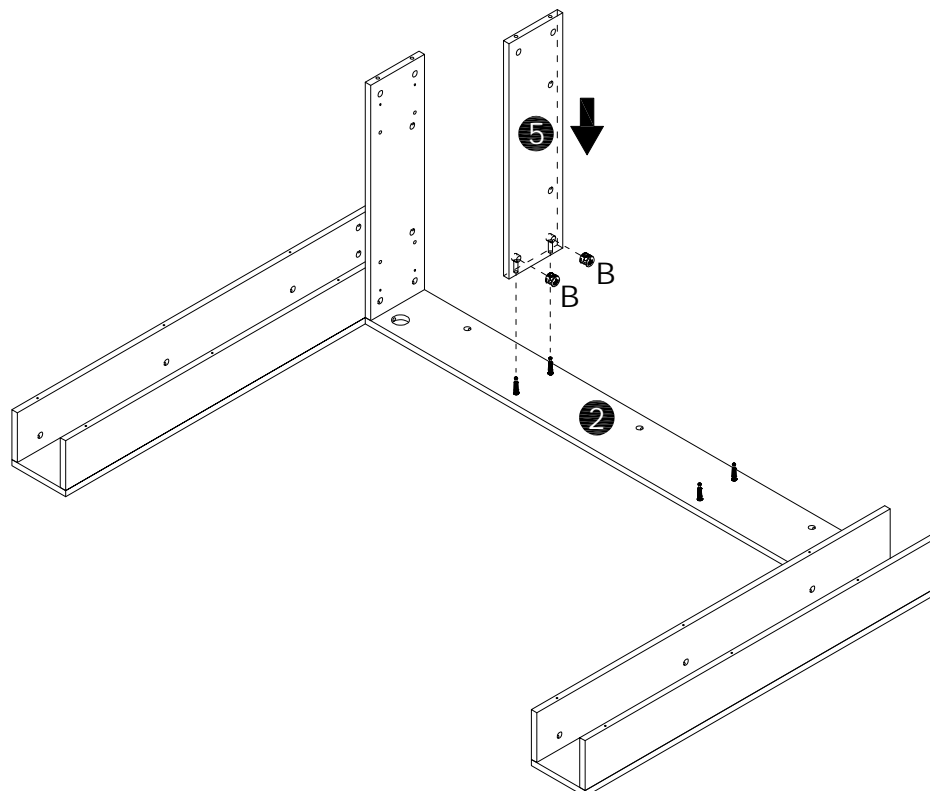
B

Ø15x12mm
2 pcs

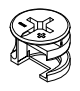
15

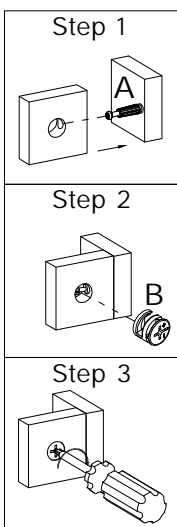


E

Ø4x25mm
2 pcs

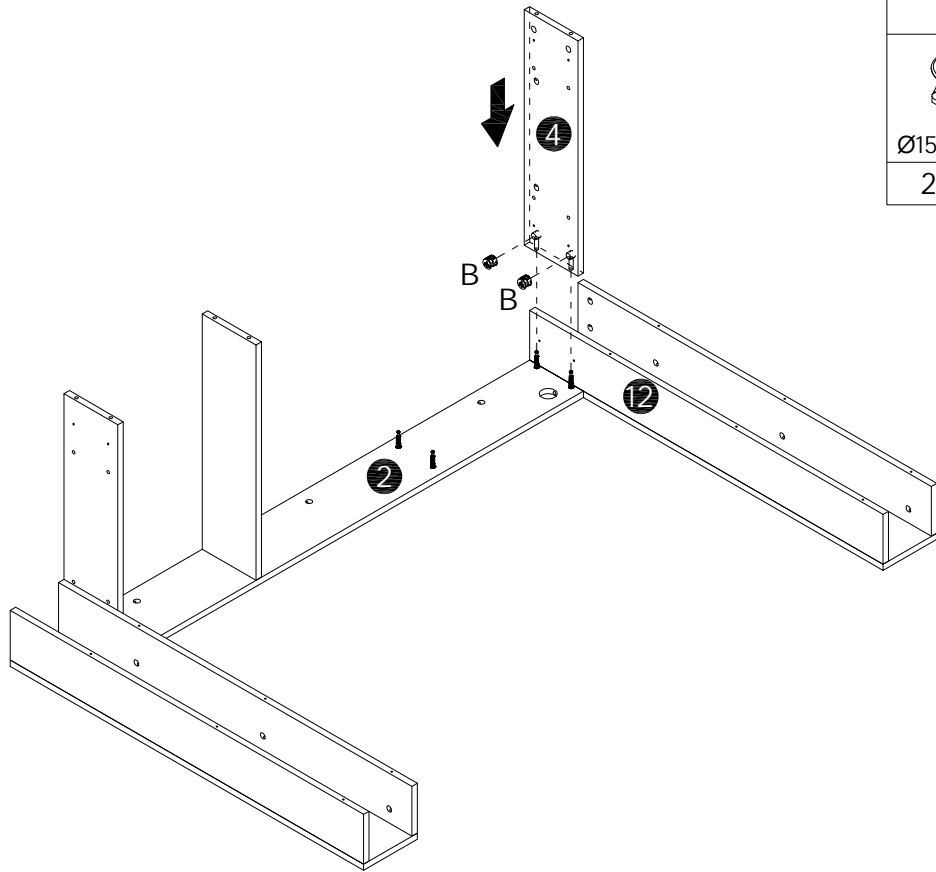
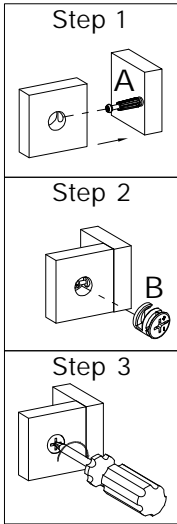
16




B

Ø15x12mm
2 pcs

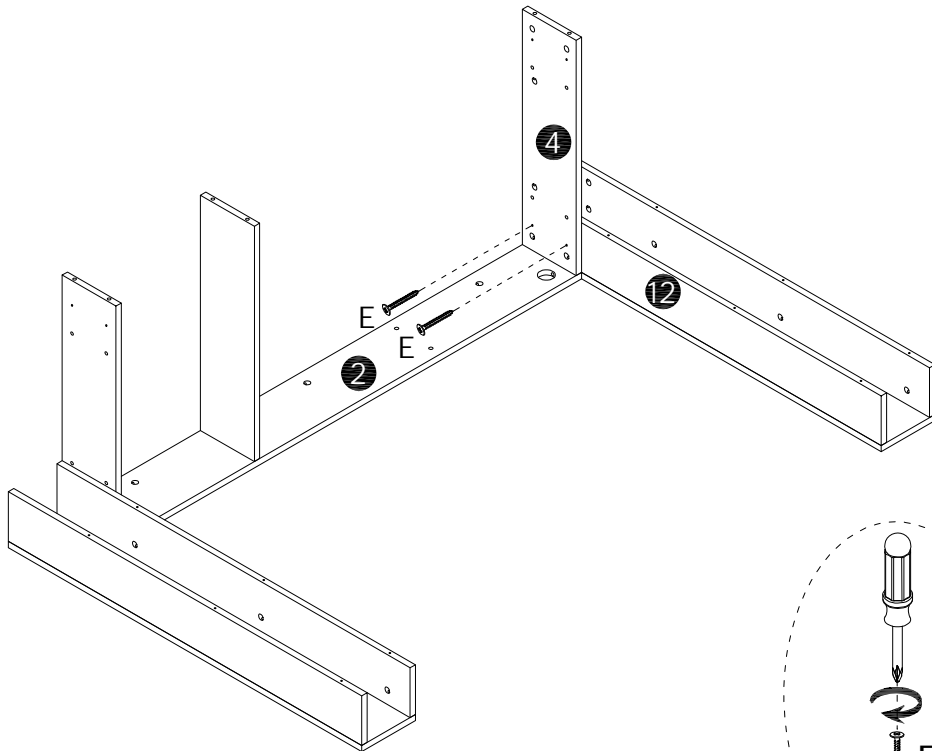



17

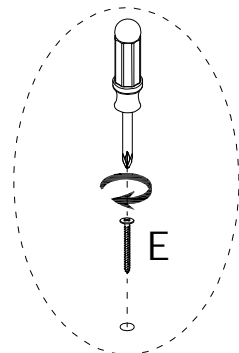


B

Ø15x12mm
2 pcs

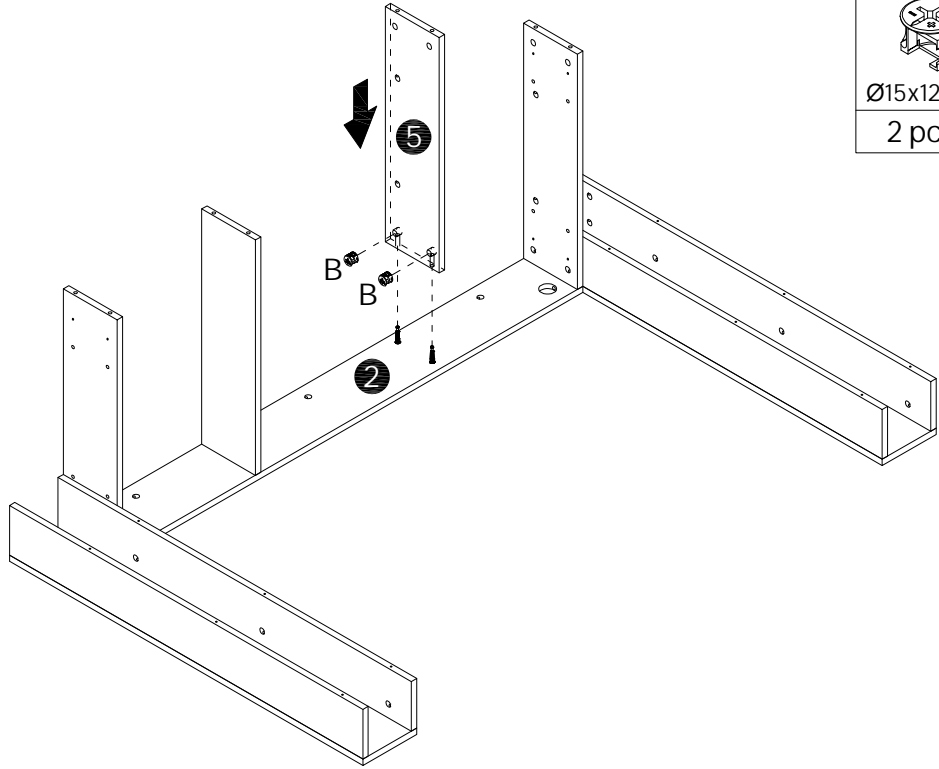
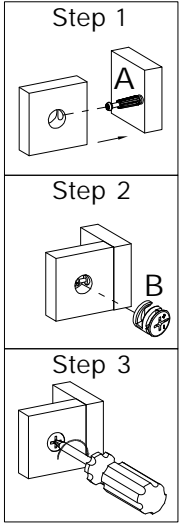
18




E

Ø4x25mm
2 pcs

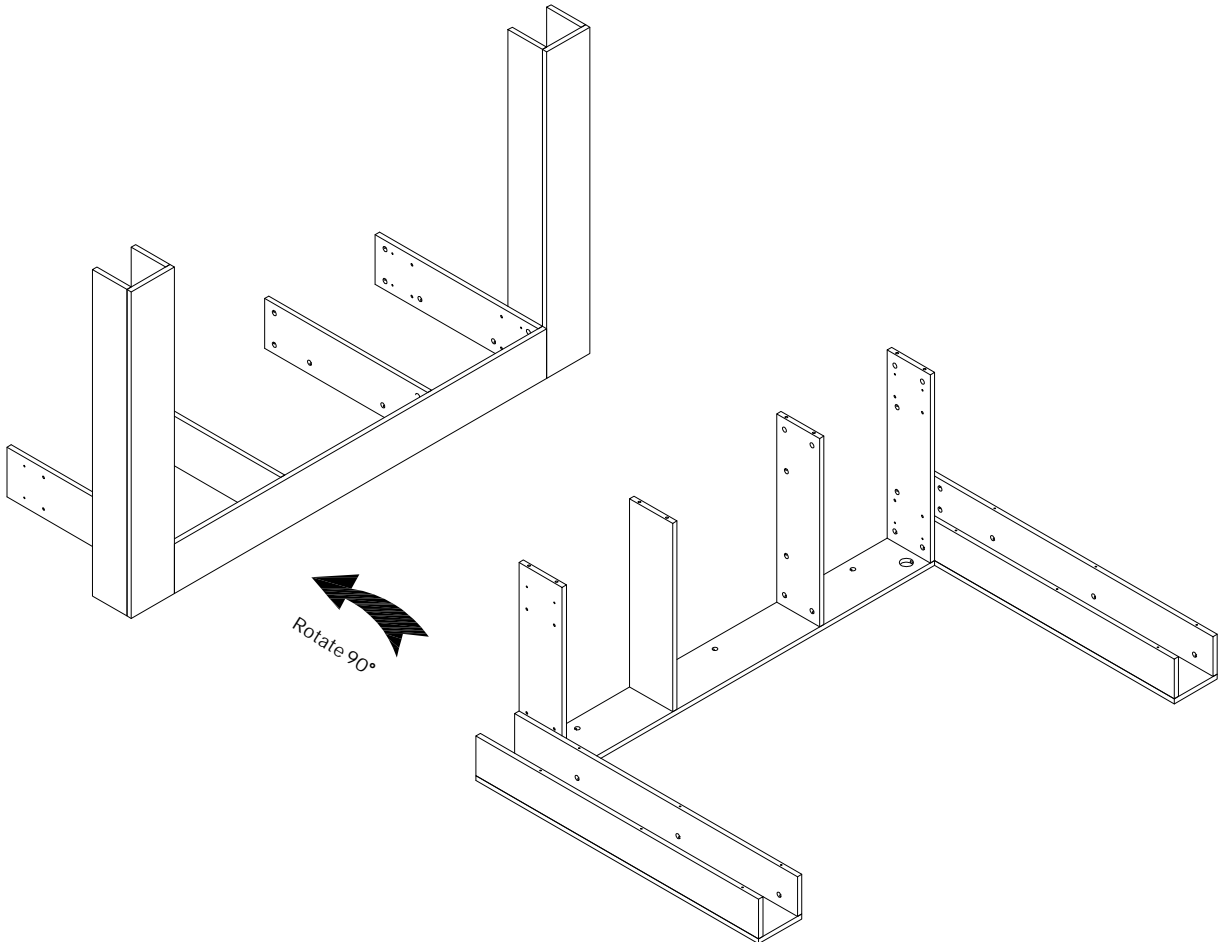


19

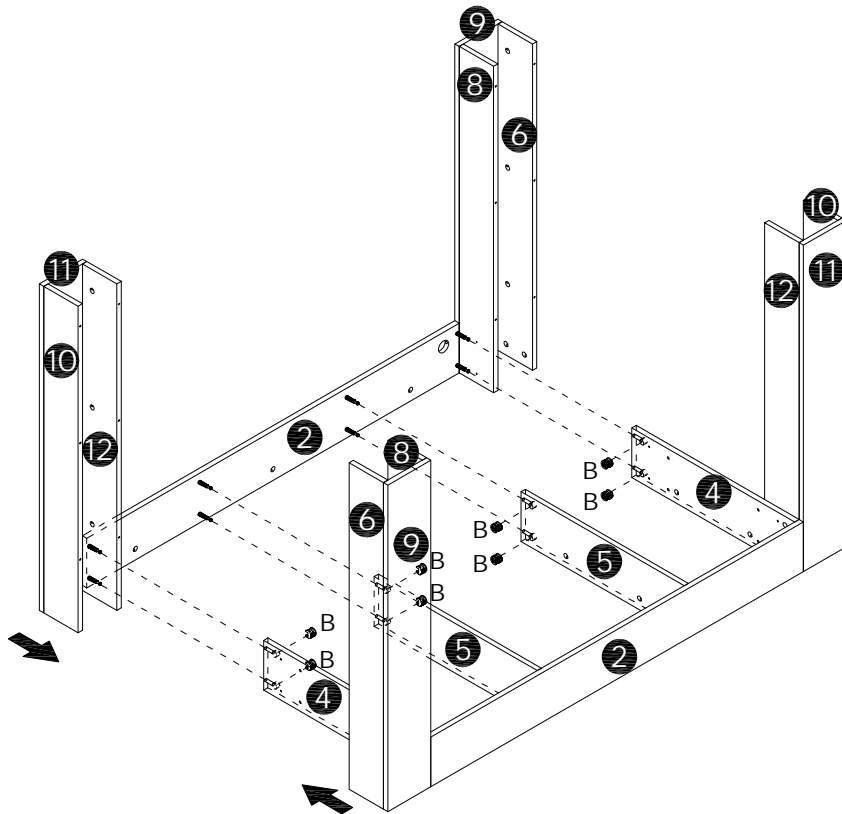
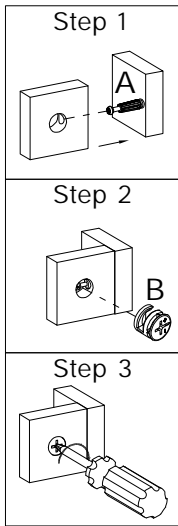



B

Ø15x12mm
2 pcs

20

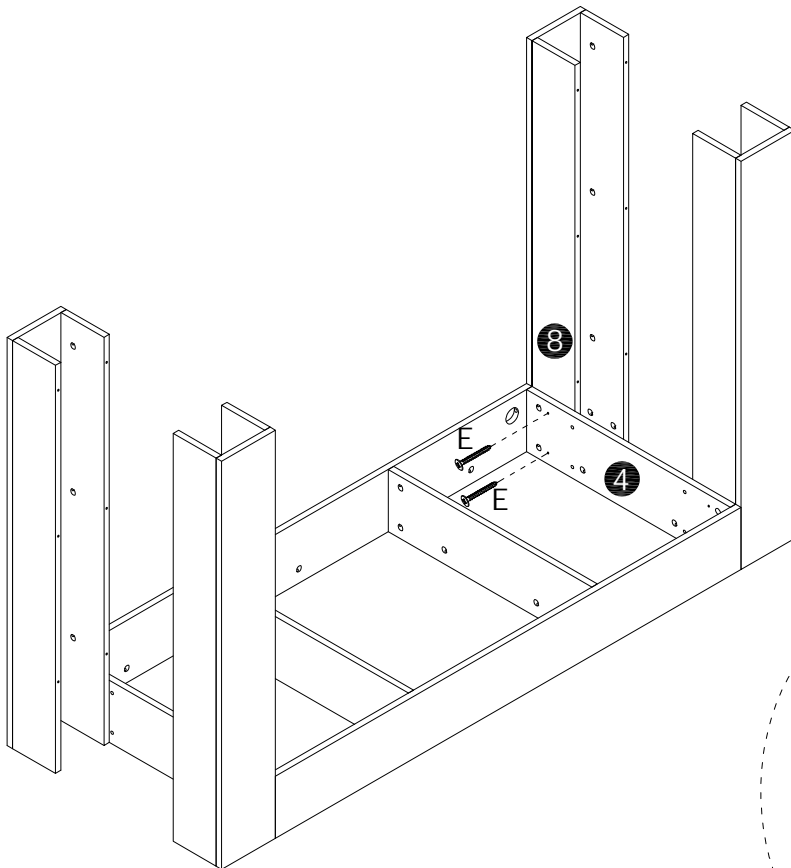



21

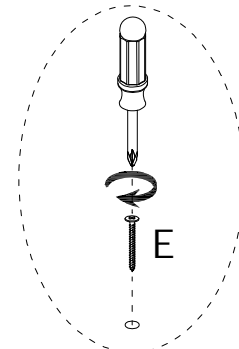


B

Ø15x12mm
8 pcs

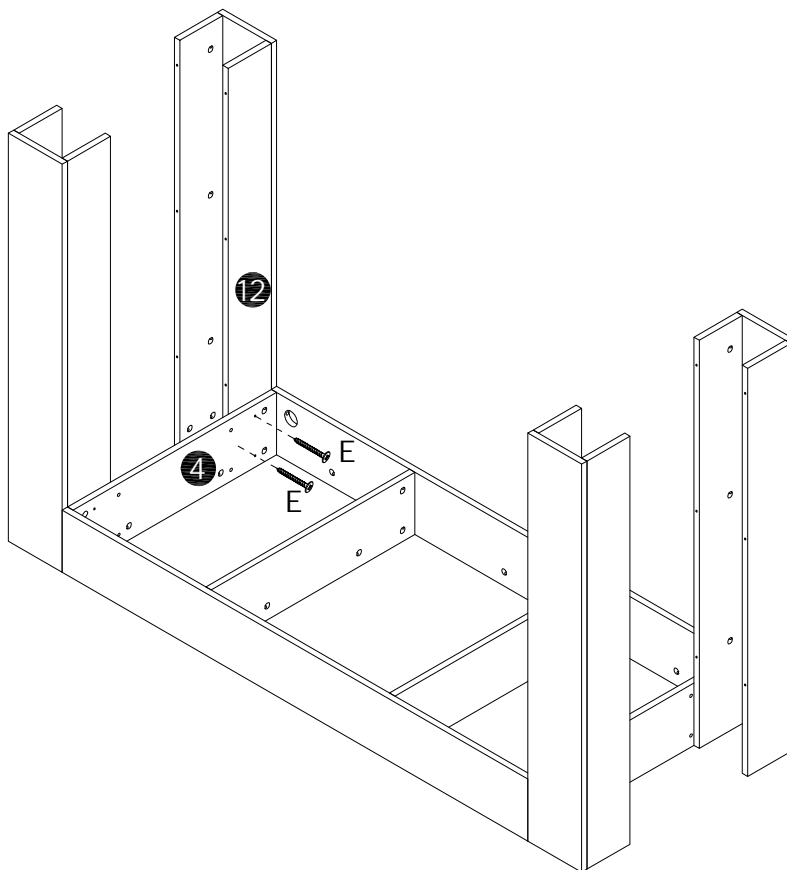
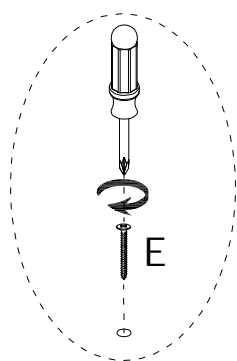
22




E

Ø4x25mm
2 pcs

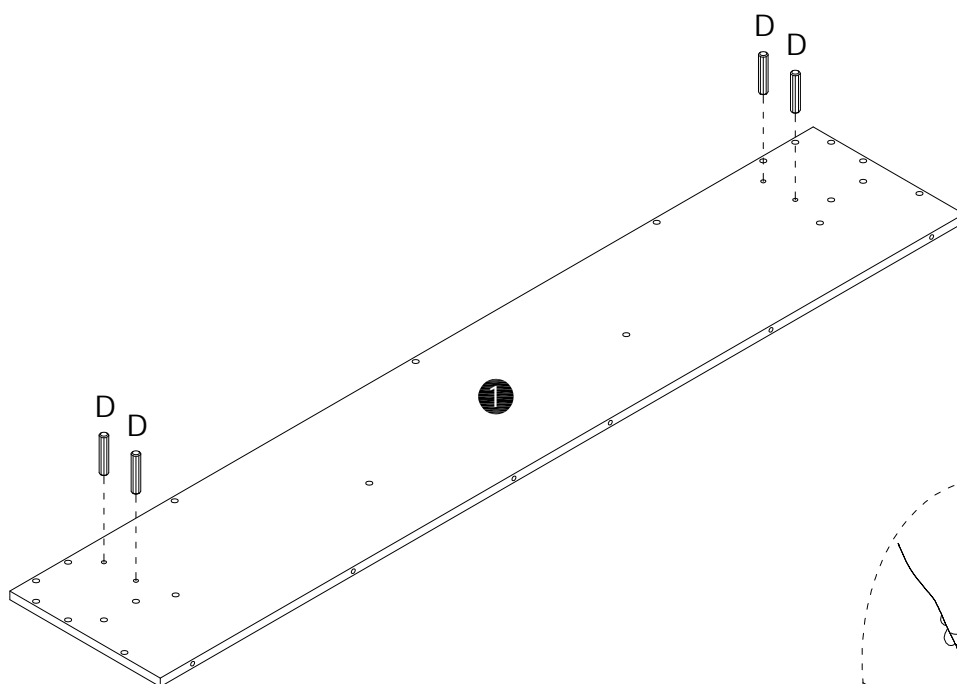


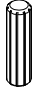
23

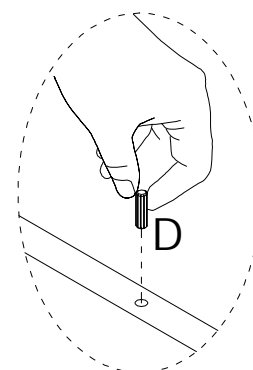


E

Ø4x25mm
2 pcs

24

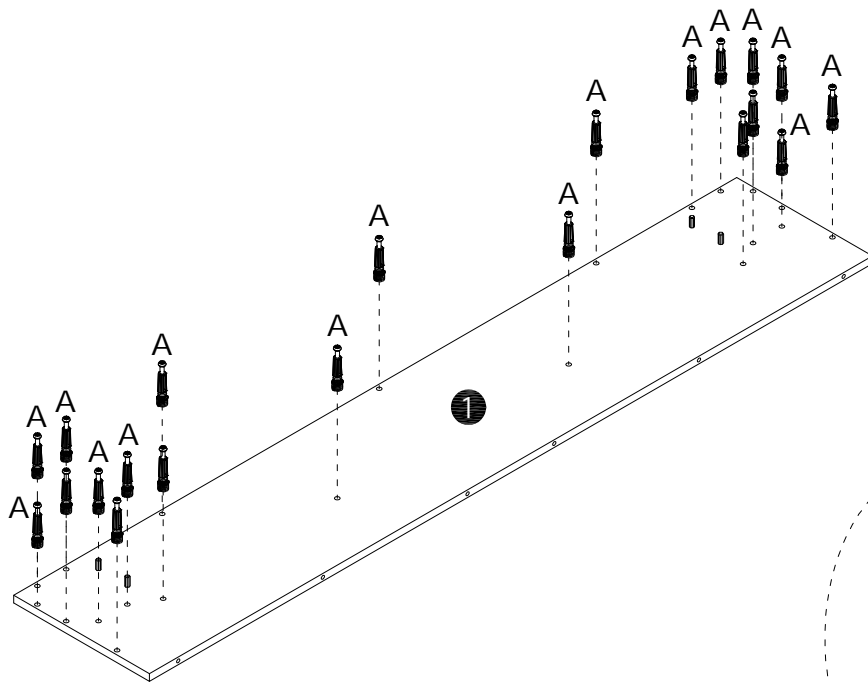



D

Ø8x30mm
8 pcs

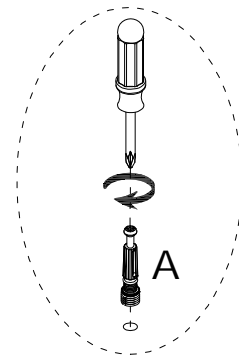


X2

25

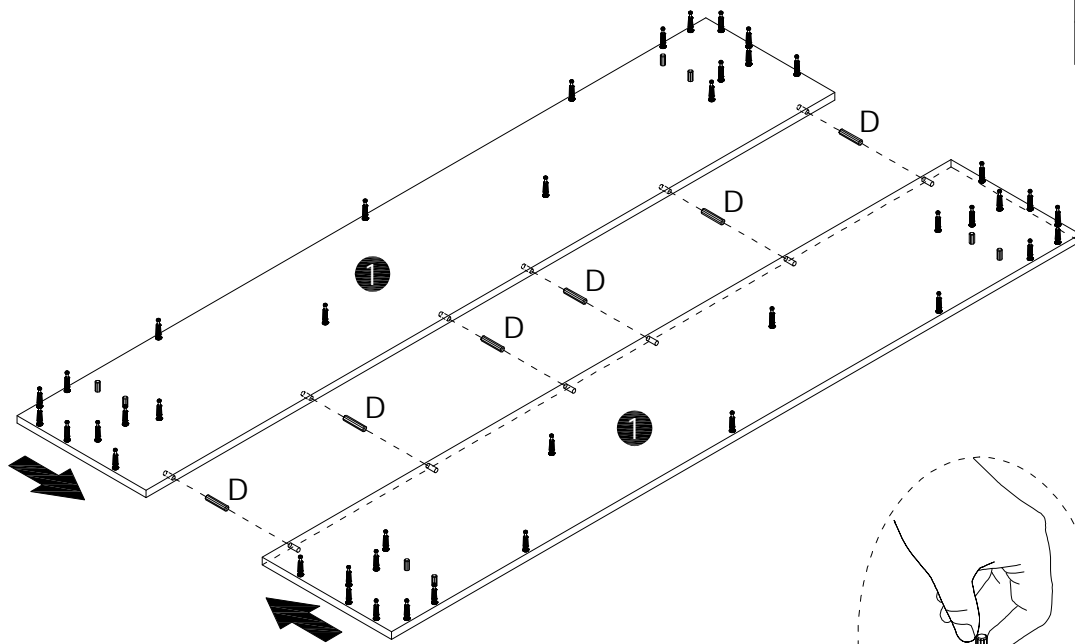


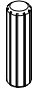
A

Ø6x40mm
42 pcs

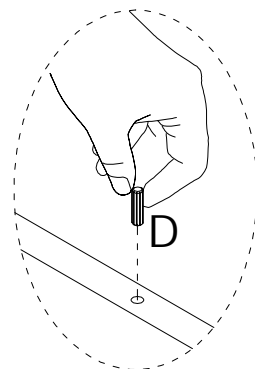


X2

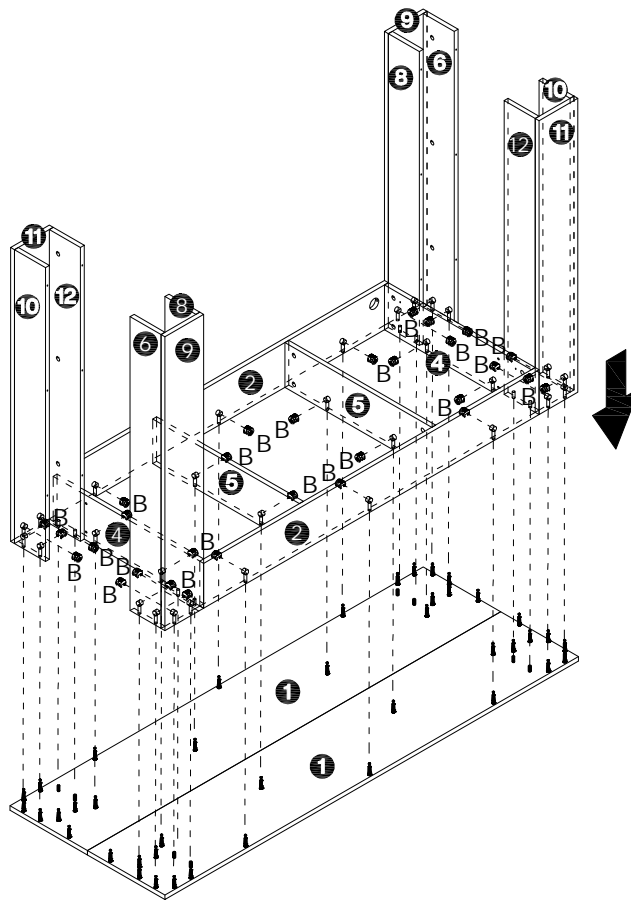
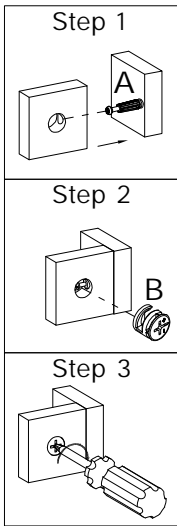
26




D

Ø8x30mm
6 pcs




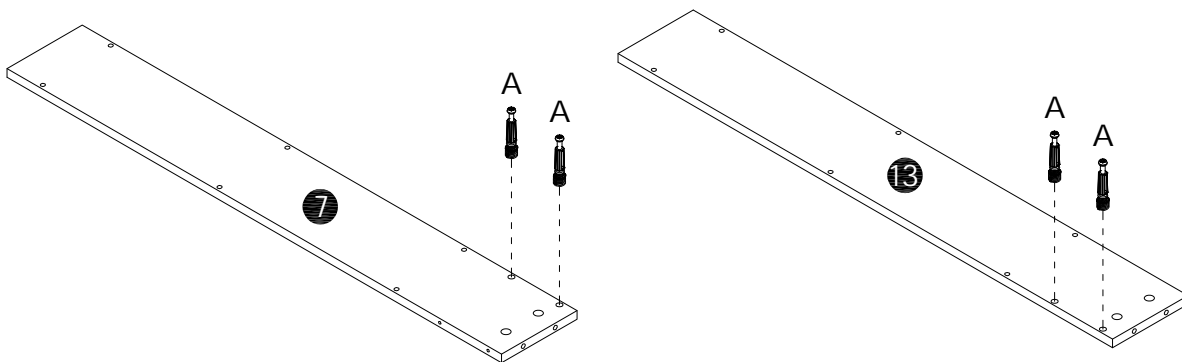
27



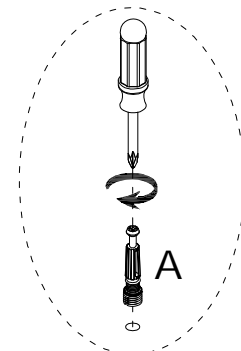
B

Ø15x12mm
30 pcs

28

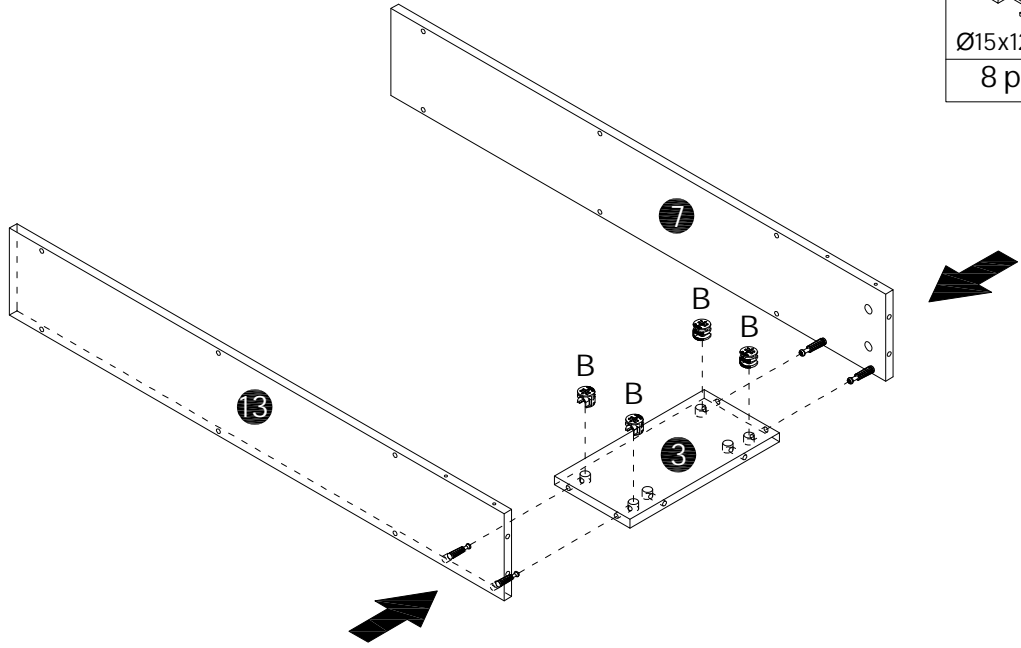
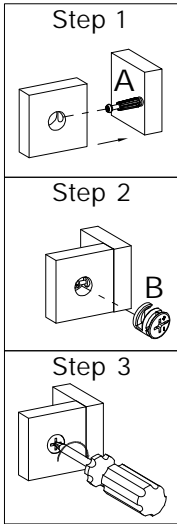
A

Ø6x40mm
8 pcs




X2



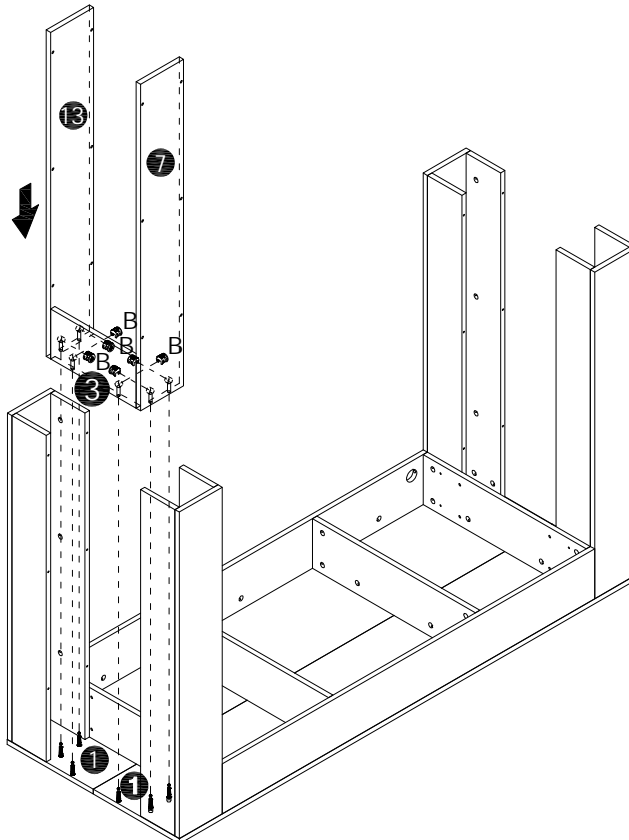
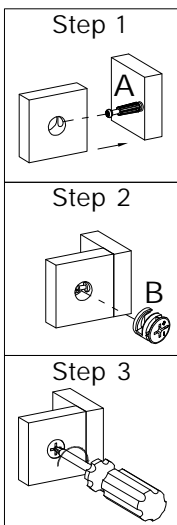
29




B

Ø15x12mm
8 pcs

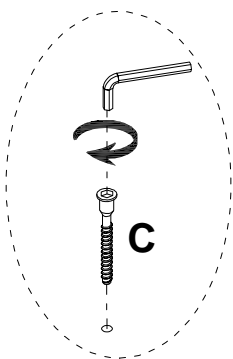
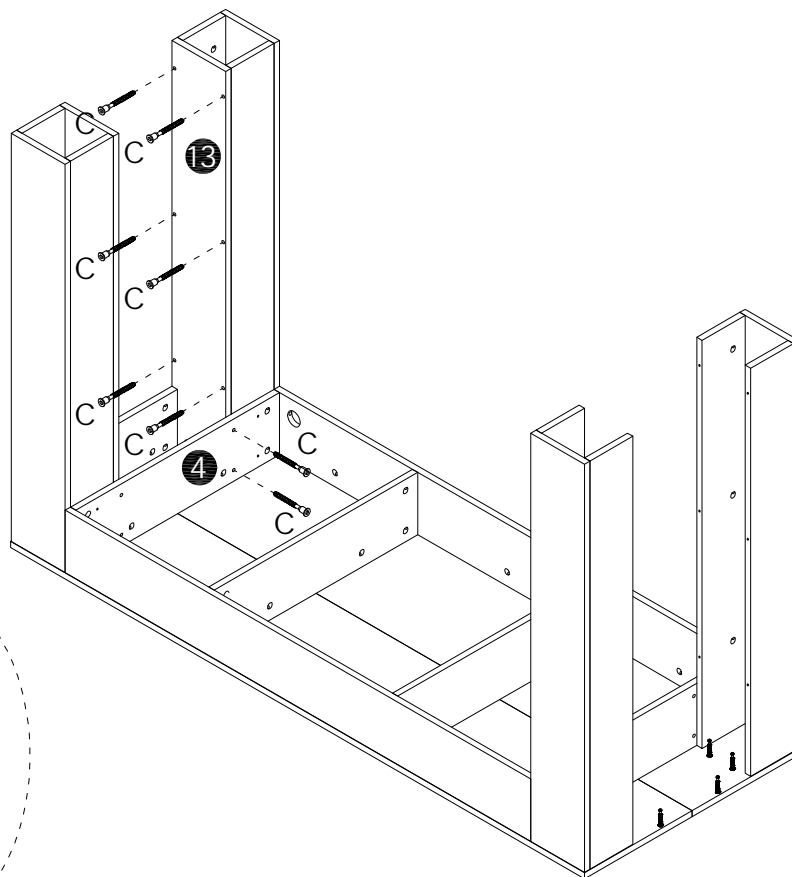
X2

30



B

Ø15x12mm
6 pcs

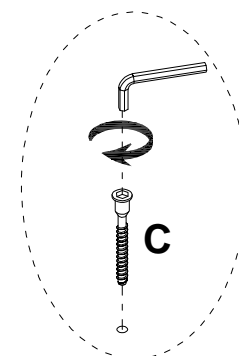
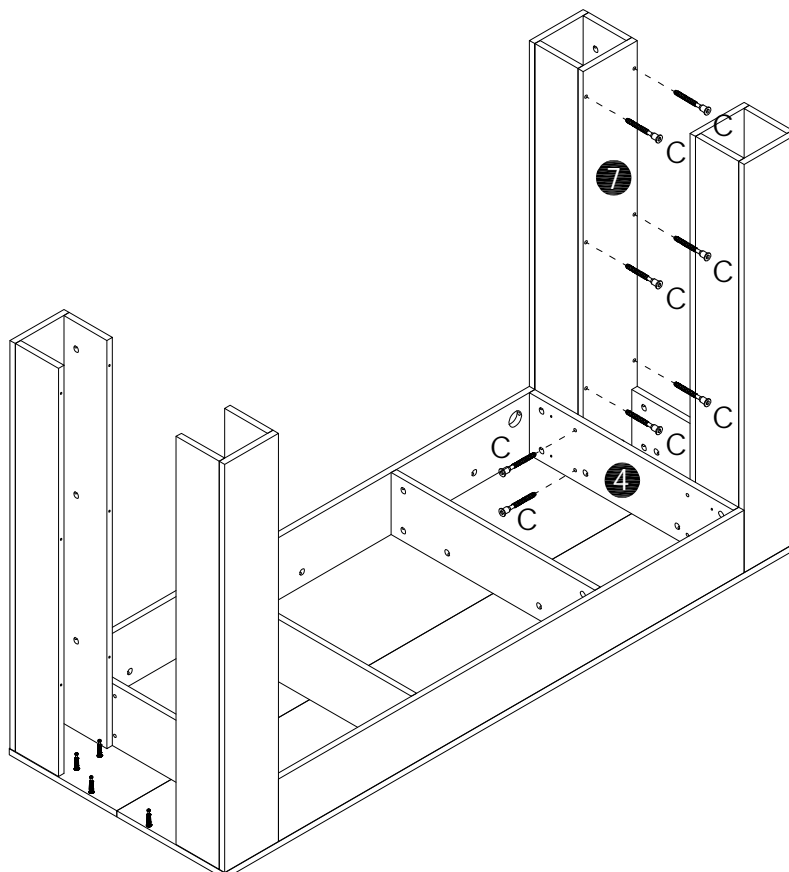
31




C

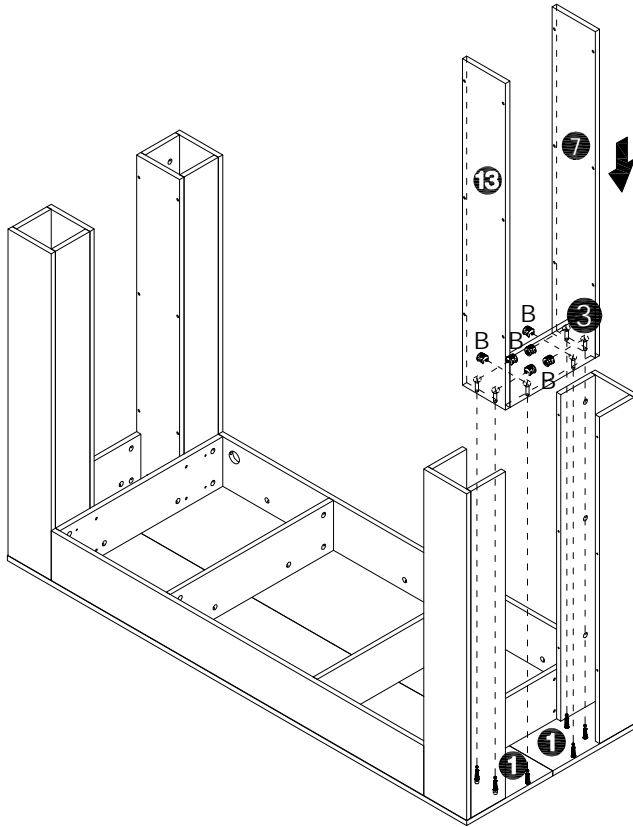
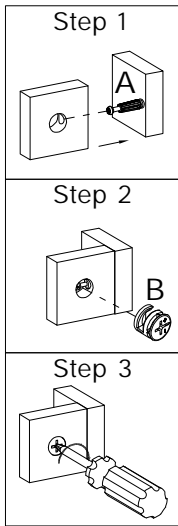
Ø6x38mm
8 pcs

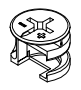
32



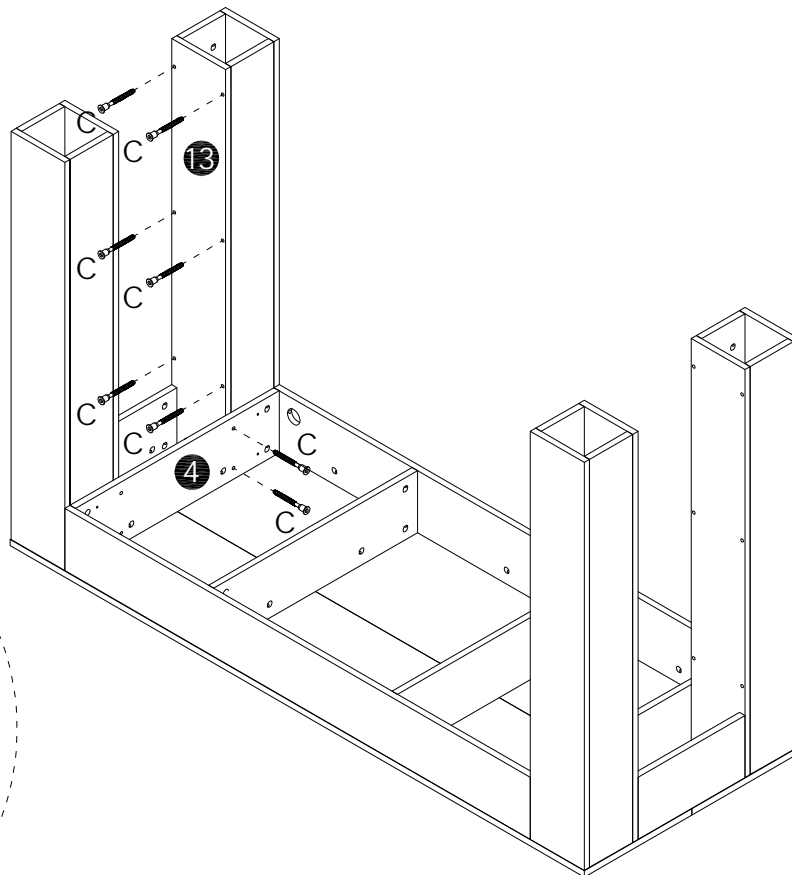
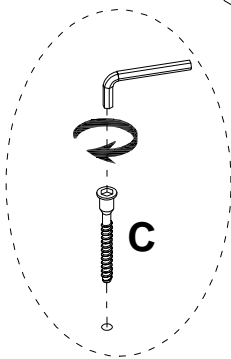
C

Ø6x38mm
8 pcs


33



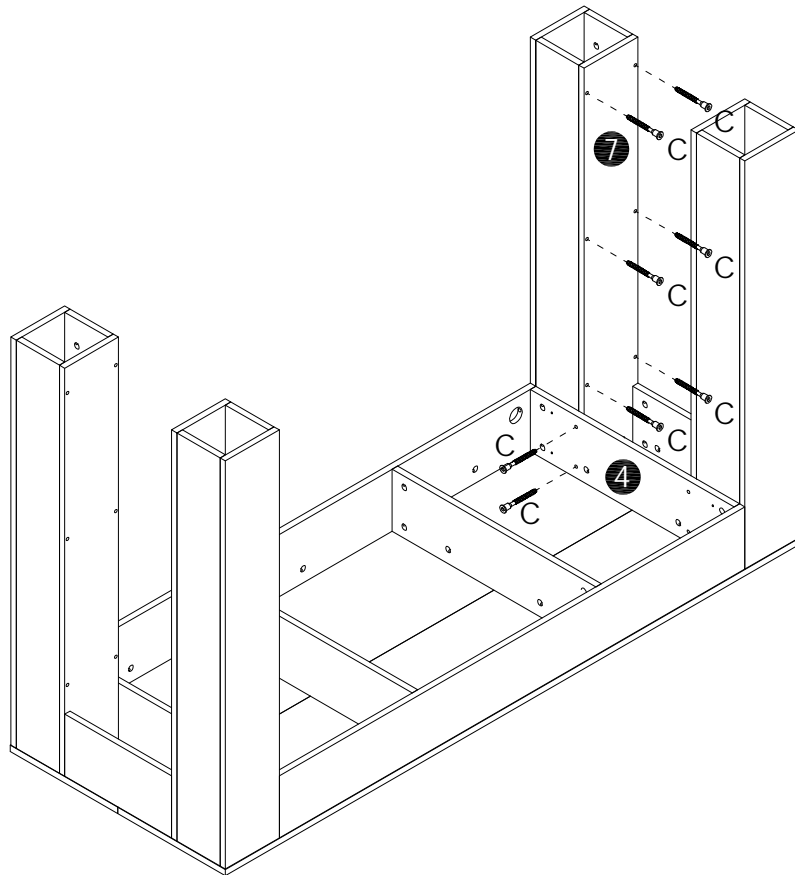
B

Ø15x12mm
6 pcs


34

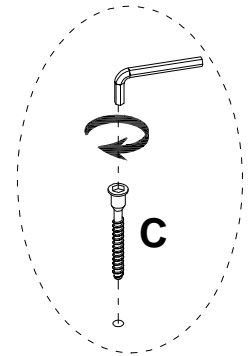


C

Ø6x38mm
8 pcs

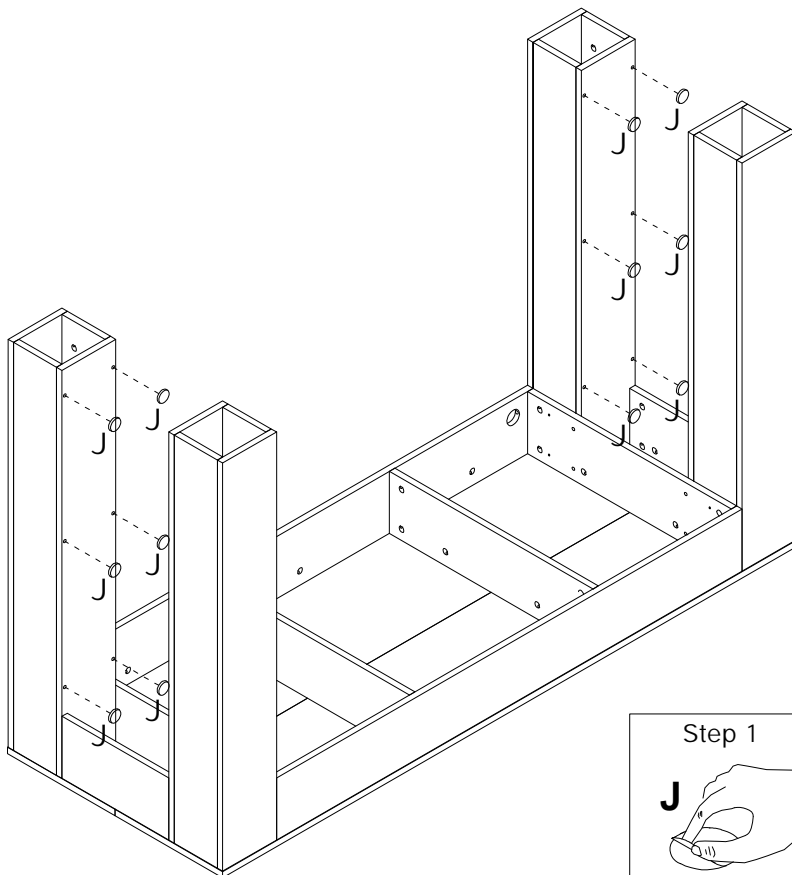
35

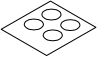


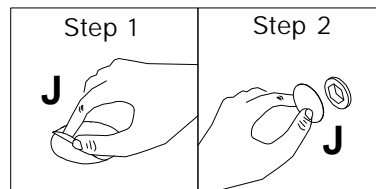
C

Ø6x38mm
8 pcs



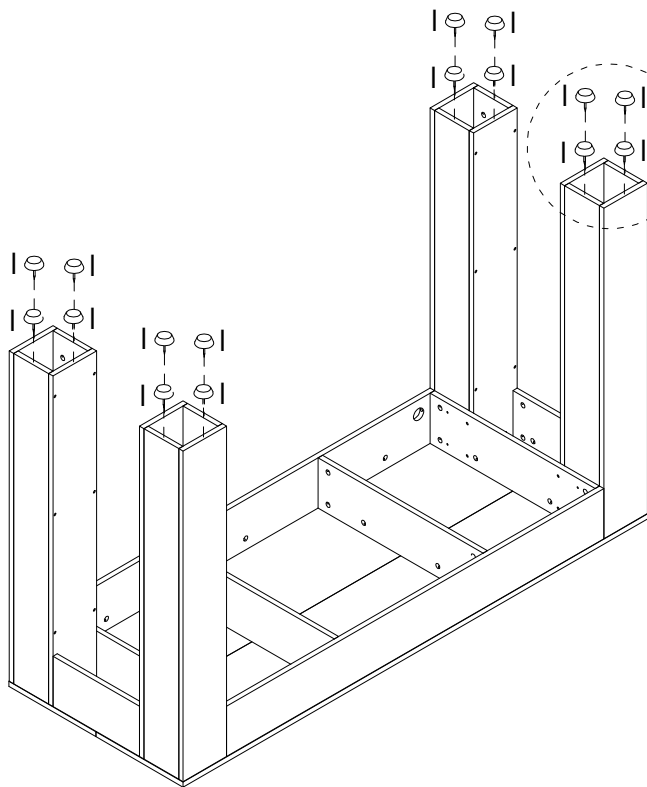
36




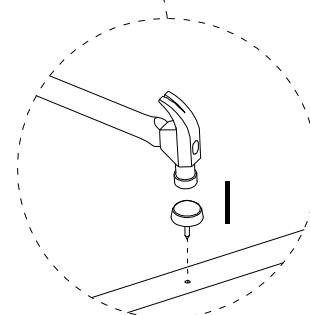
J

24 pcs



37

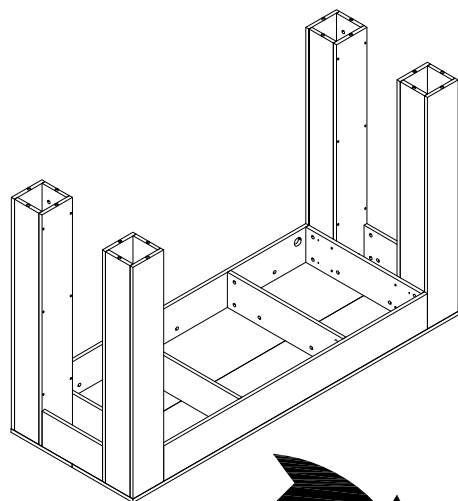


I

16 pcs

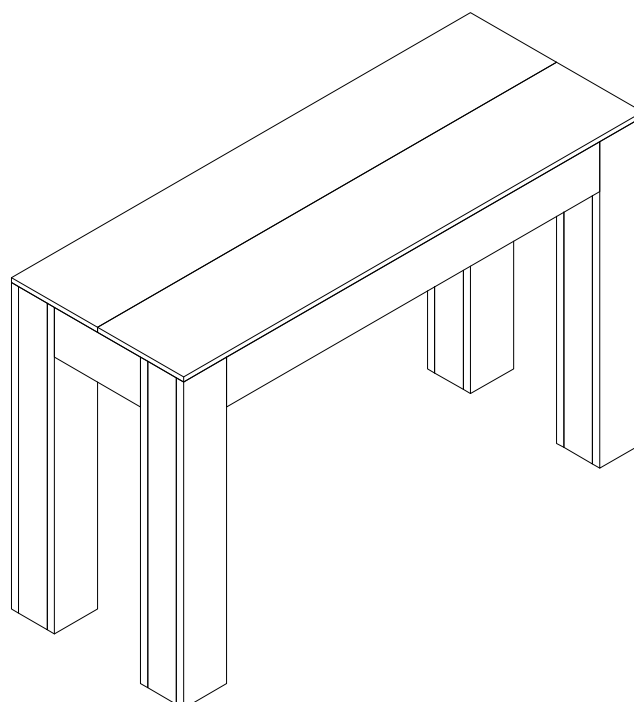


 Caution! Tap lightly

38



Rotate 180°



Thank you for your support !

