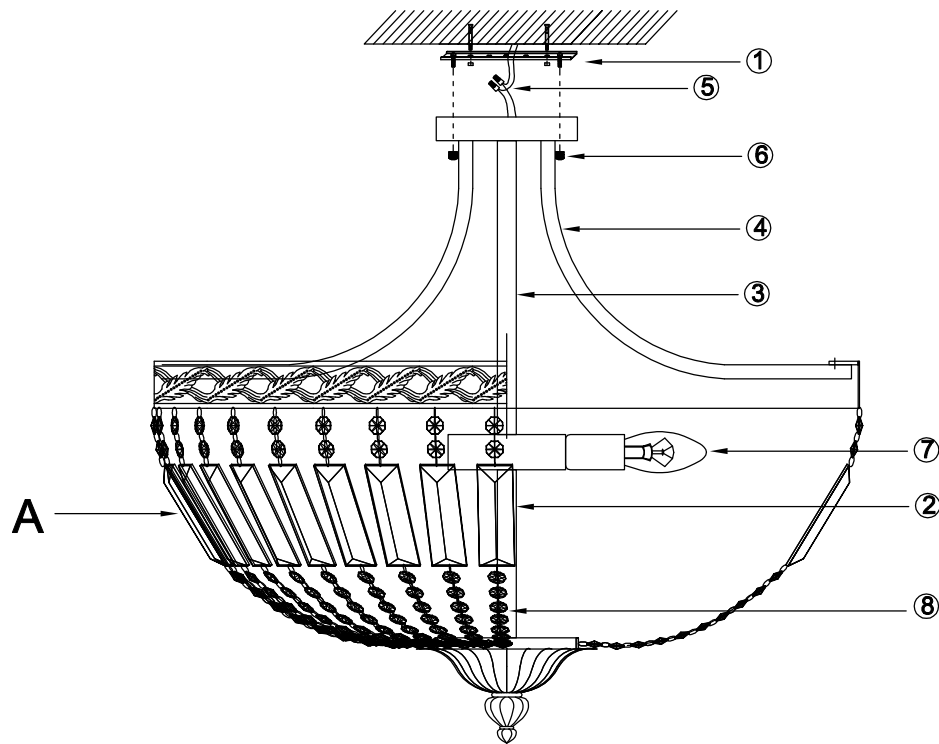


Crystal lamp with bead pattern

Installation diagram



Installation steps

Refer to the installation diagram and hang the crystals in sequence

	Crystal String Method	Number of strings
A	14 # octagonal beads * 2 pieces+76 # rectangular bars+14 # octagonal beads * 10 pieces	36
B		
C		
D		
E		
F		
G		
H		
I		

1: This lamp is suitable for 110V power supply, 50HZ, and the bulb power is less than 60W.

2: Please wear gloves during installation

3: Please do not install it on the ceiling that is dry with gray water

4: When cleaning, please turn off the power first and use a non corrosive cleaning agent

5: Luminaires should be installed by professional water electronics

6: Customers must install according to the installation instructions, otherwise they will bear the consequences themselves