

WARNING

- * Switch off the main electrical supply from the main fuse box / circuit breaker before installation.
- * Inspect item carefully before attempting to install.
- * If there is any damages or obvious defects, do not install.
- * Item may not be returned once it has been installed.

CARE AND MAINTENANCE


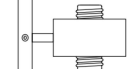

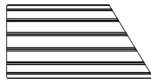
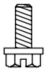

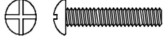


- * To clean the outside of the fixture, use a dry or slightly dampened clean cloth (use clean water, never a solvent) to wipe the surface of the fixture.
- * To clean the inside of the fixture, first disconnect power to the fixture by turning off the circuit breaker or by removing the fuse at the fuse box. Next, use a dry or slightly dampened clean cloth (use clean water, never a solvent) to wipe the interior surface of the fixture.
- * Do not use any cleaners with chemical, solvents or harsh abrasives. Use only a dry soft cloth to dust or wipe carefully.

NOTICE& IMPORTANT SAFETY INSTRUCTIONS

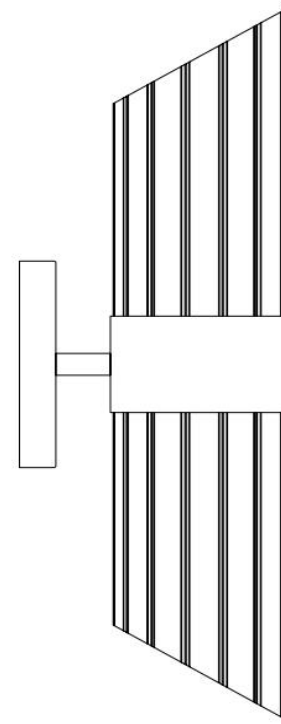
** WE RECOMMEND INSTALLATION OF THIS LIGHTING FIXTURE BE DONE BY A LICENSED ELECTRICIAN **

- * Please make sure that you have all parts indicated before you begin assembly of this item
- * This item should be assembled on a soft surface to prevent scratching the finish during assembly
- * To reduce the risk of fire, electrical shock or injury to persons or property, please follow the guideline below for safe use and installation
- *The external flexible cable or cord of this lamp cannot be replaced
If the cord is damaged, the lamp shall be destroyed

Part List and Hardware List

PIECE	DESCRIPTION	PICTURE	QUANTITY	PIECE	DESCRIPTION	PICTURE
A	Wire Nut		3X	F	Fixtrue Body	
B	Mouning Bracket		1X	F	Glass Shade	
C	Ground Screw		1X	H	Socket Ring	
D	Mouning Screw		2X	I	Bulb	
E	Support screw		2X			

Product Dimensions: 4.75"W X 6.25"EX 16.5"H



PREPARATION

* Before beginning assembly of product, make sure all parts are present. Compare parts with package contents list and hardware contents list.

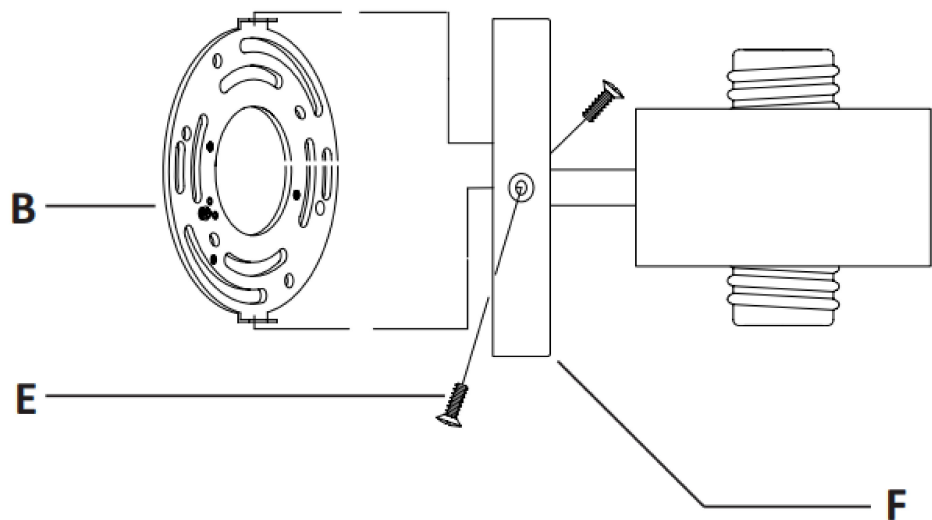
* If any part is missing or damaged, do not attempt to assemble the product.

* Estimated Assembly Time: 15 minutes.

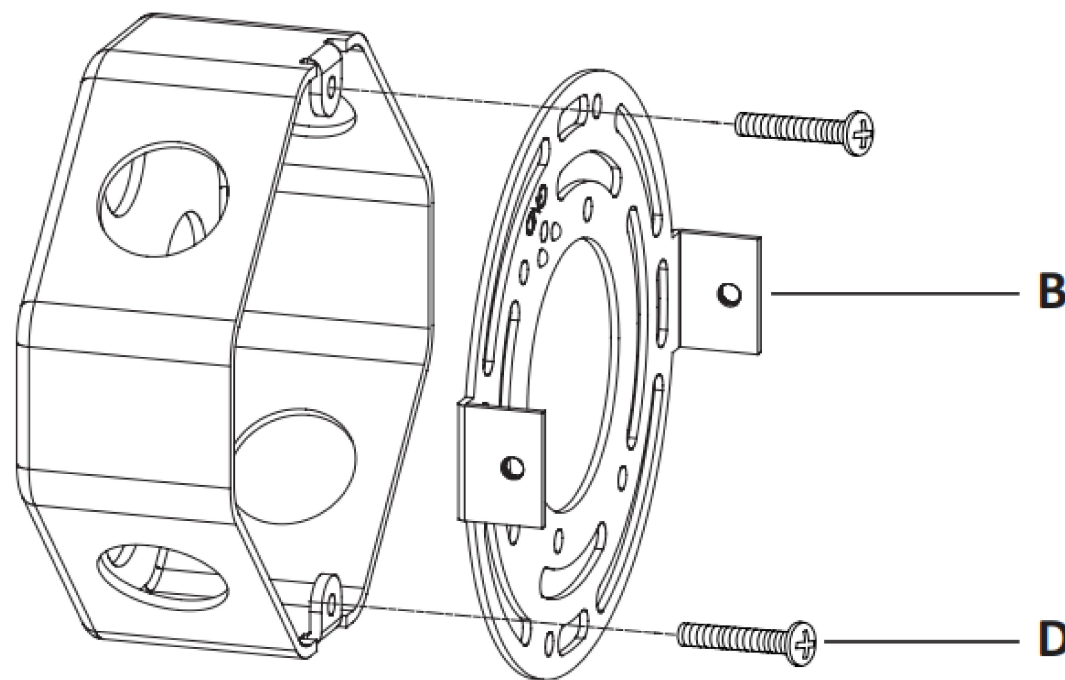
* Tools Required for Assembly (not included): Screwdriver, Junction box

* If you are having difficulty, our friendly Customer Care team is always here to help.

NOTE: PLEASE USE TYPE "A" BULB MAX 25-WATT OR LED BULB MAX 5-WATT, THERE ARE 2PCS LED 4-WATT BULB IN THE BOX



Step 1: Unpack all parts from carton carefully. Unscrew the two Support screws (E) from the Mounting Bracket (B). Remove the Mounting Bracket (B) from the Fixture body (F), and keep the Support Screws (E) for later use.



Step 2: Insert the J-box wires through the opening of Mounting Bracket (B). Attach the Mounting Bracket (B) onto the J-box and secure it by turning the 2 Mounting Screws (D) clockwise until tight.

PREPARATION

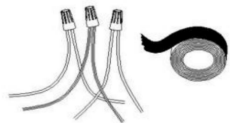
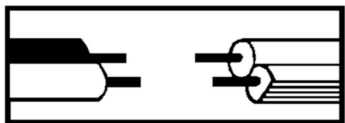
* Before beginning assembly of product, make sure all parts are present. Compare parts with package contents list and hardware contents list.

* If any part is missing or damaged, do not attempt to assemble the product.

* Estimated Assembly Time: 15 minutes.

* Tools Required for Assembly (not included): Screwdriver, Junction box

* If you are having difficulty, our friendly Customer Care team is always here to help.



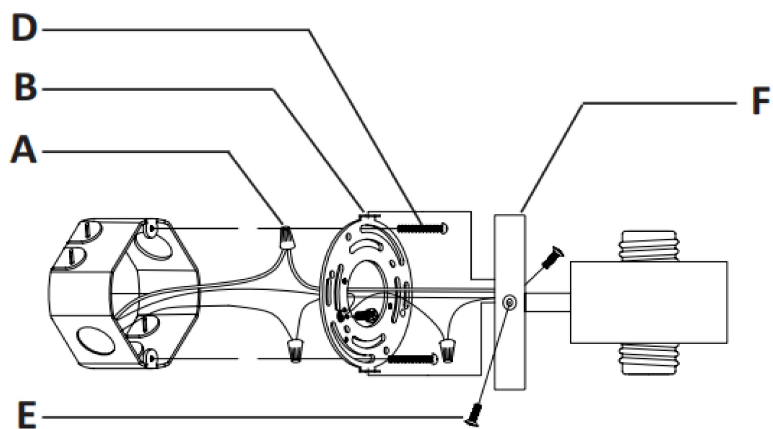
Step 3: Wire connection.

Connect fixture neutral wire (ribbed) to the outlet box neutral wire (usually white) using a wire nut.

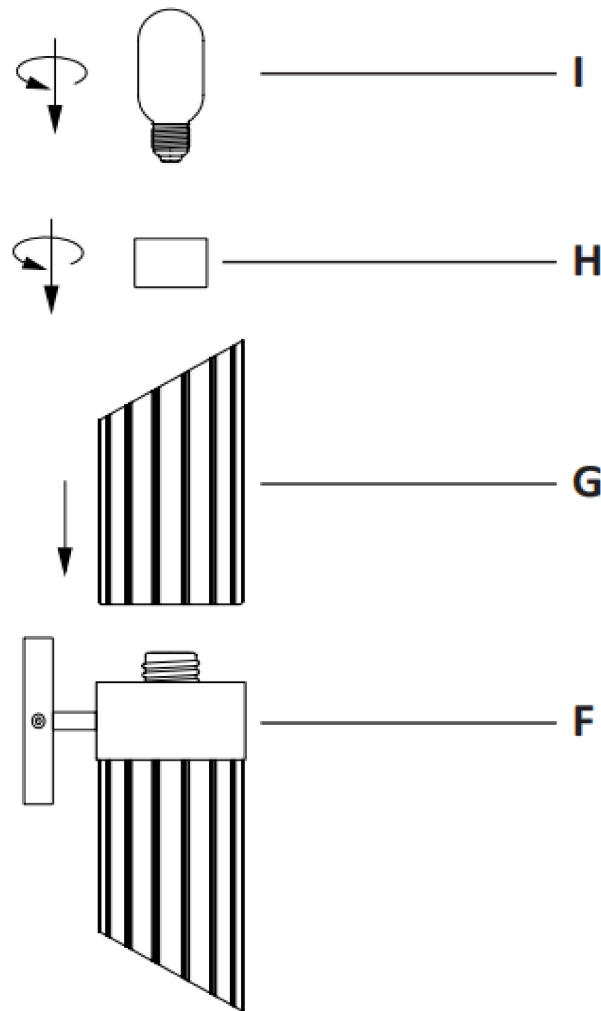
Connect fixture hot wire (smooth with markings) to the outlet box hot wire (usually black) using a wire nut.

CAUTION: Do not reverse the hot and neutral connections.

Grounding Instructions: Wrap ground wire from outlet box around ground screw on mounting plate, no less than 2" from wire end. Tighten ground screw. If fixture is supplied with a ground wire, connect to outlet ground wire with a wire nut.



Step 4: Place the canopy of the Fixture Body (F) over the outlet box, align the two holes of the mounting bracket (B) and the canopy of the Fixture Body (F), then tighten the Support Screws (E).



Step 5: Unscrew the Socket Rings (H) from the socket of the Fixture Body (F), place the Glass Shade (G) over the socket and secure with the Socket Ring (H). Insert the Bulbs (I) into the sockets of the Fixture Body (F) until secure.