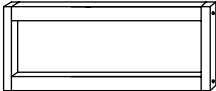
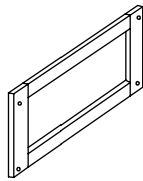
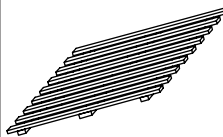
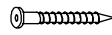

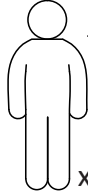
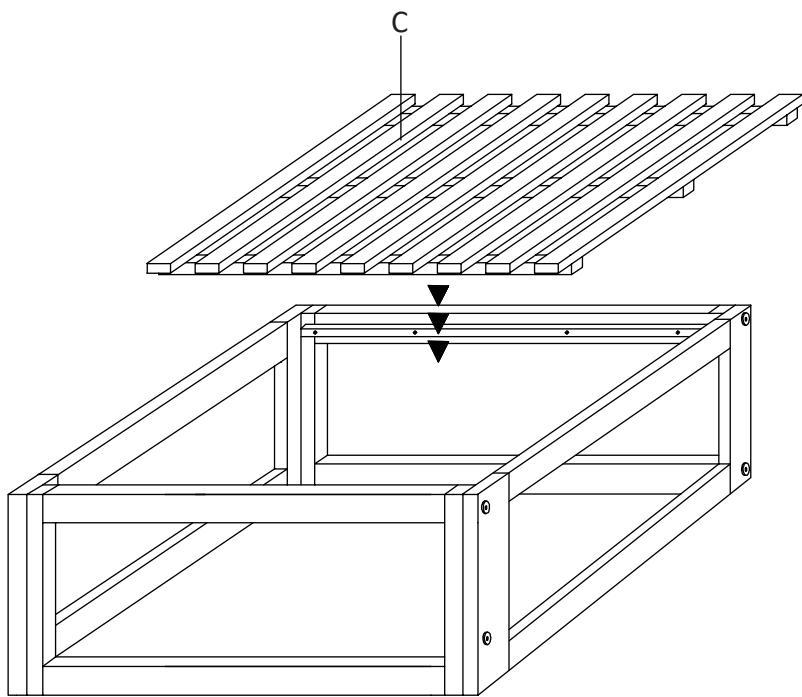
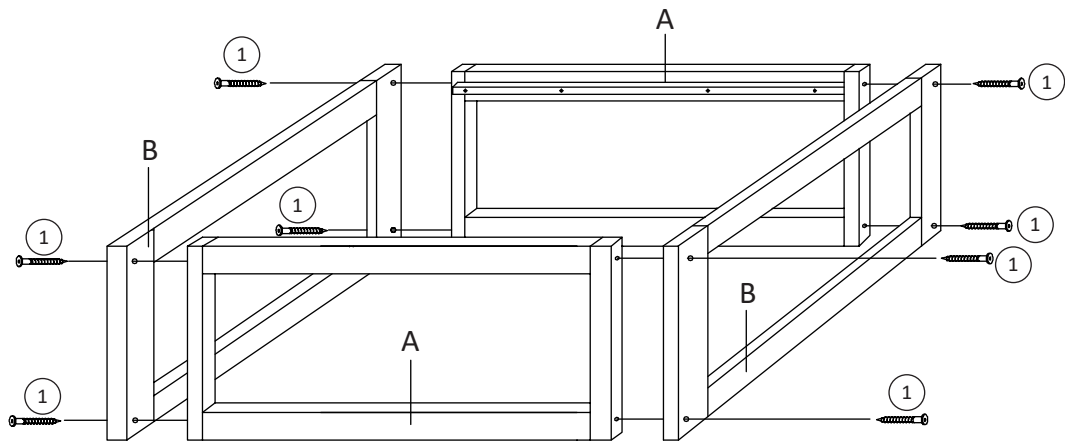
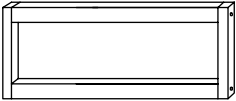
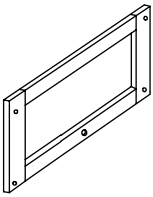
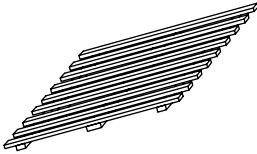

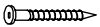

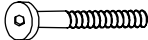
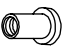
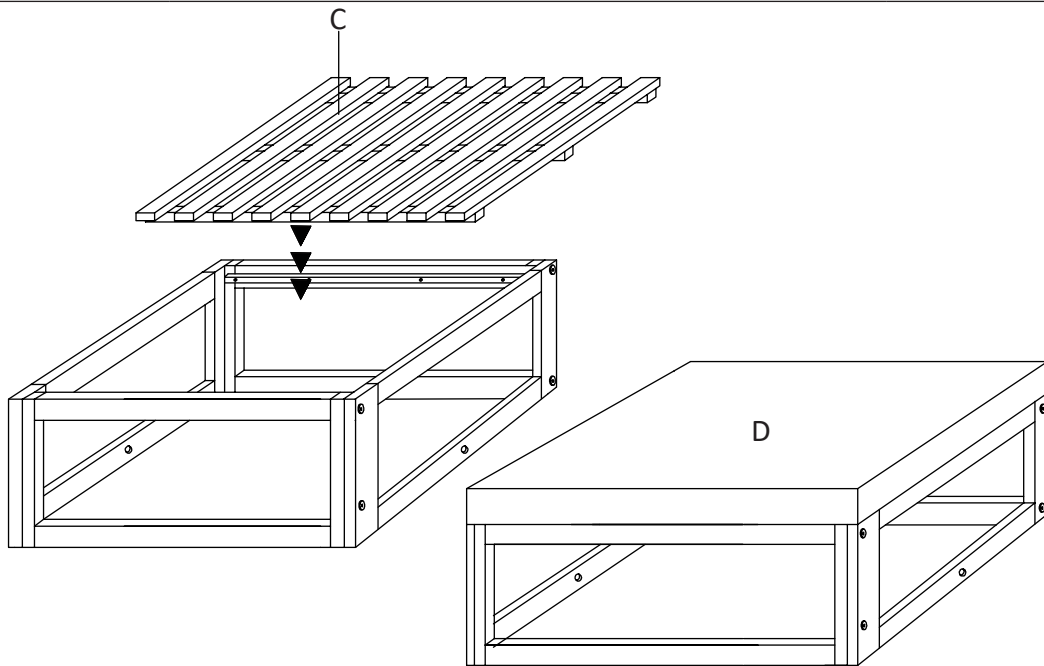
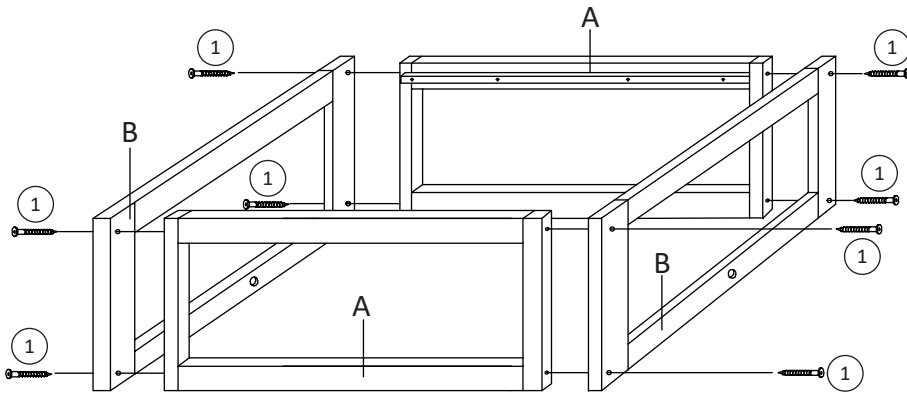
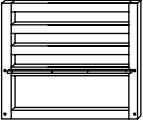
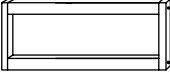
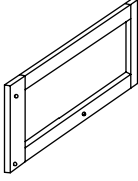
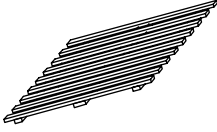
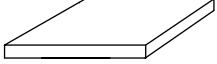

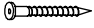

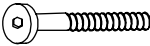
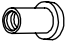


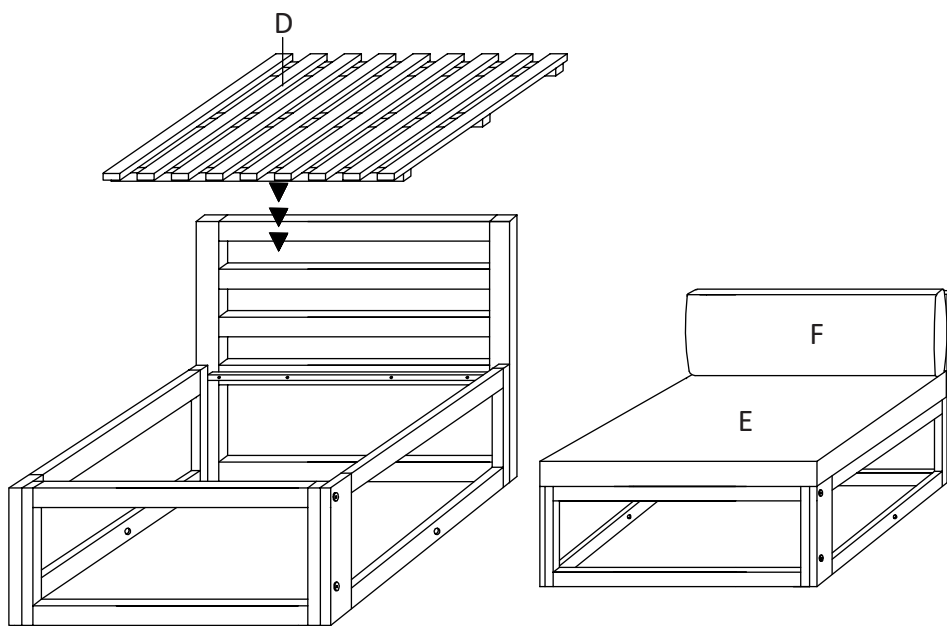
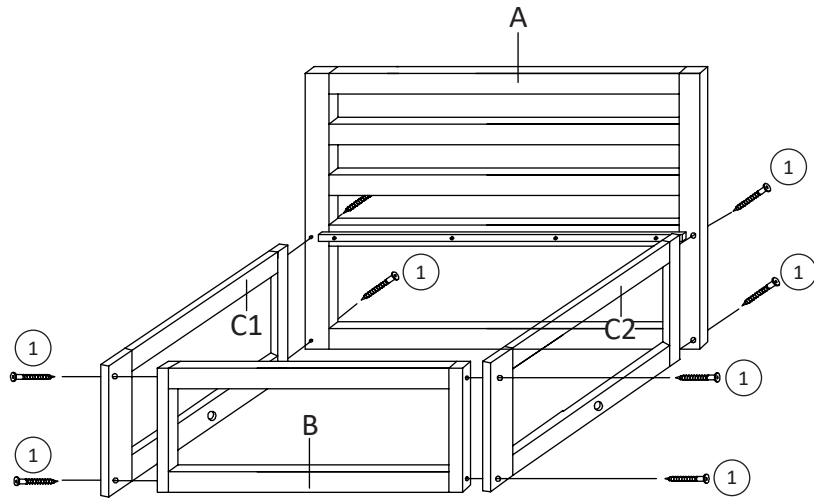
<p>Ax2</p> 	<p>Bx2</p> 	<p>Cx1</p> 	<p>① x8</p>  <p>M6x $\frac{60}{2.4}$</p>	<p>② x1</p> 	 <p>mm inch</p> <p>x1</p>
---	--	--	--	---	--



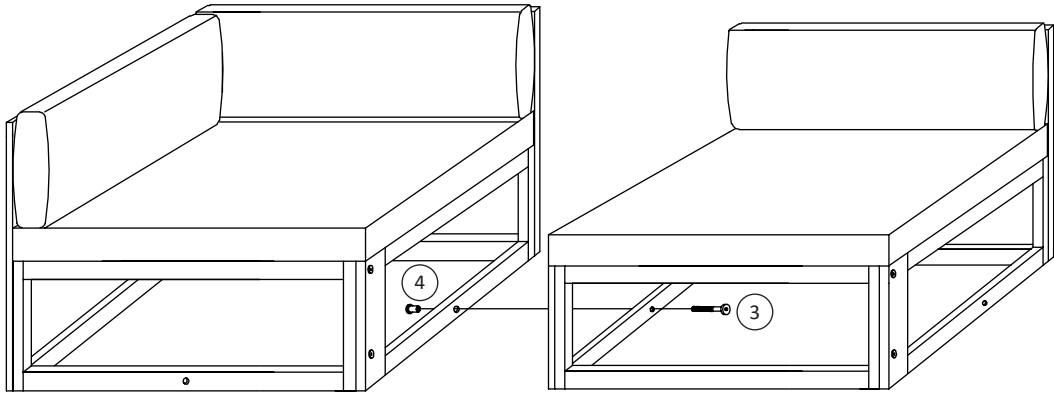
<p>Ax2</p> 	<p>Bx2</p> 	<p>Cx1</p> 	<p>Dx1</p> 
<p>① x8</p>  <p>M6x $\frac{60}{2.4}$</p>	<p>② x1</p> 	<p>③ x1</p>  <p>M6x $\frac{35}{1.4}$</p>	<p>④ x1</p>  <p>$\frac{6x15}{0.2x0.6}$</p>



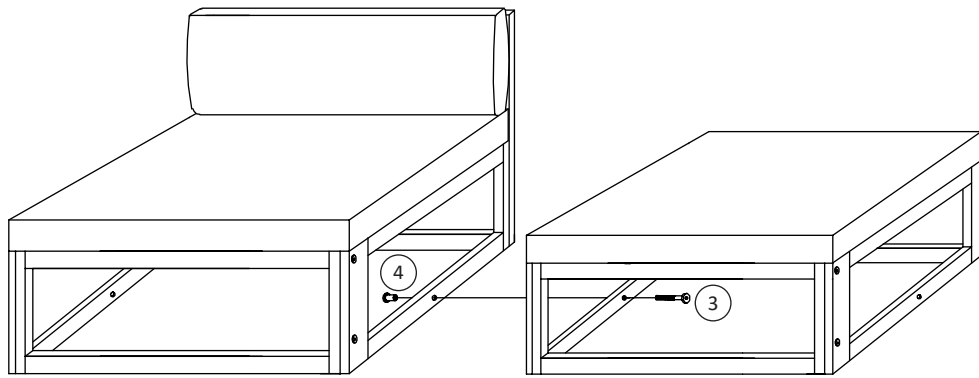
<p>Ax1</p> 	<p>Bx1</p> 	<p>C1x1 C2x1</p> 	<p>Dx1</p> 	<p>Ex1</p> 
<p>Fx1</p> 	<p>① x8</p>  <p>M6x $\frac{60}{2.4}$</p>	<p>② x1</p> 	<p>③ x1</p>  <p>M6x $\frac{35}{1.4}$</p>	<p>④ x1</p>  <p>$\frac{6 \times 15}{0.2 \times 0.6}$</p>



1 Corner+Middle



2 Middle+Foot Rest



3 Middle+Middle

