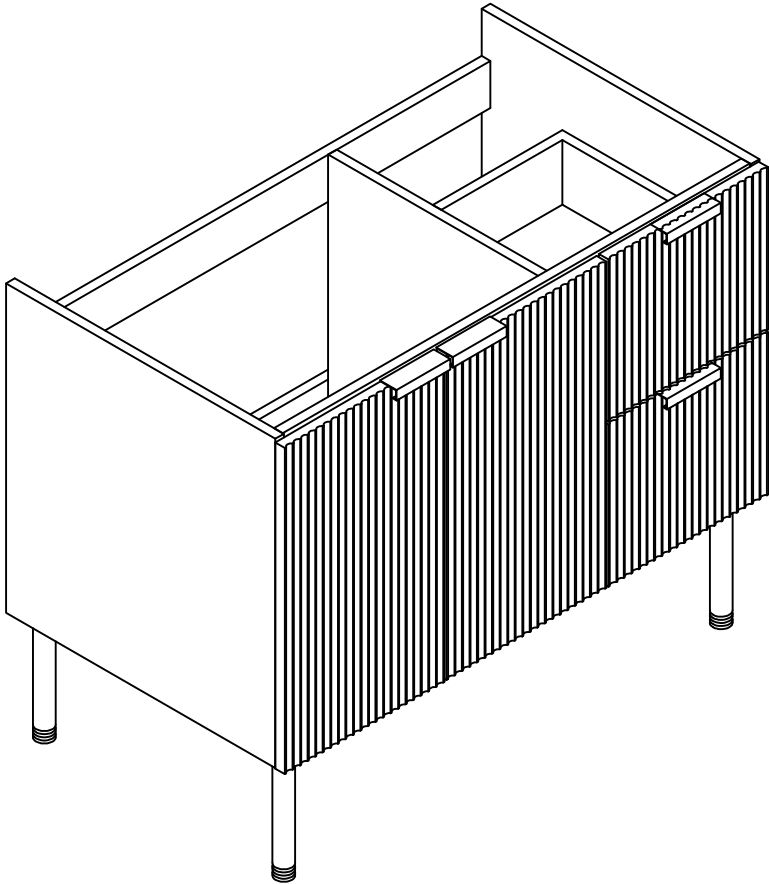
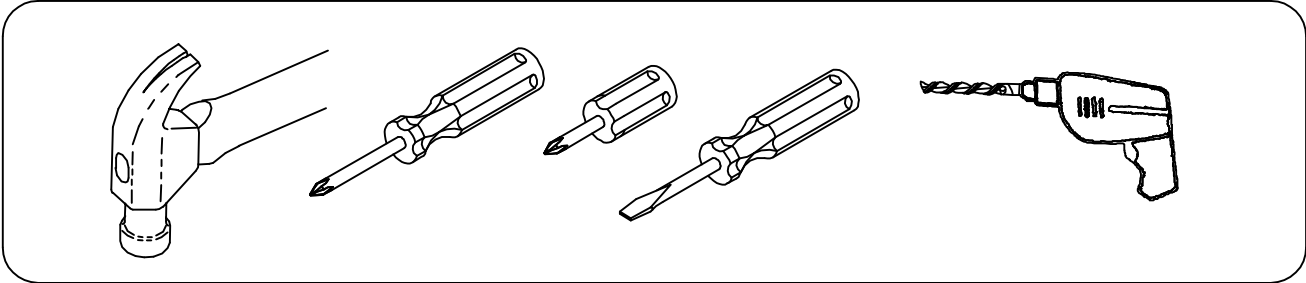


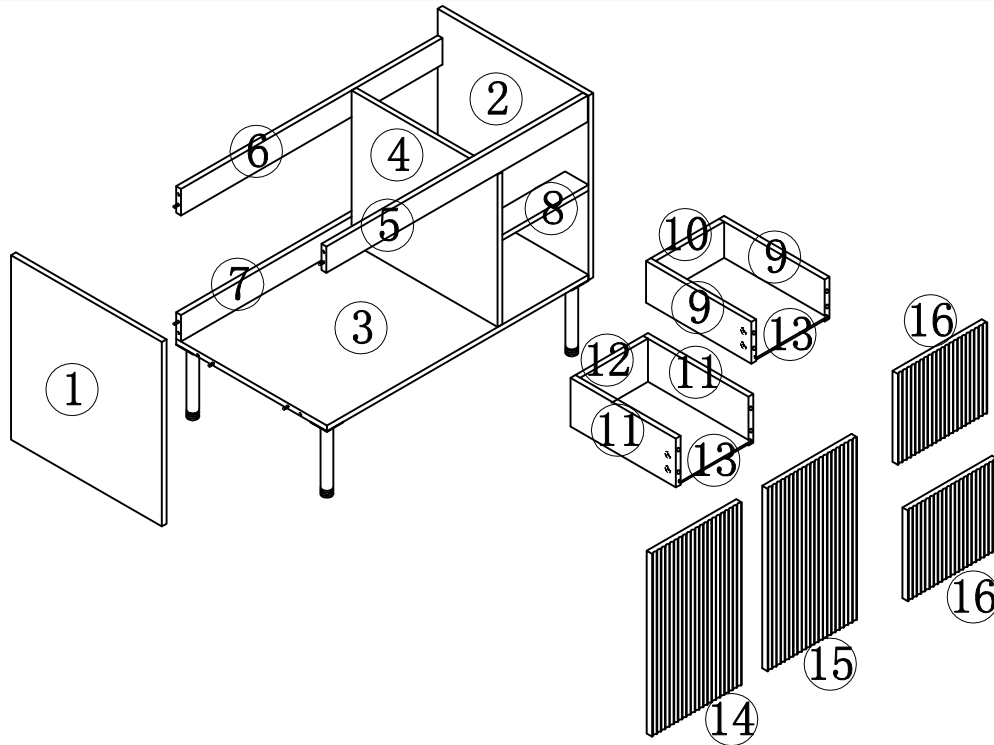
DIMENSIONS



YOU MAY NEED (NOT SUPPLY)





ASSEMBLY DIAGRAM



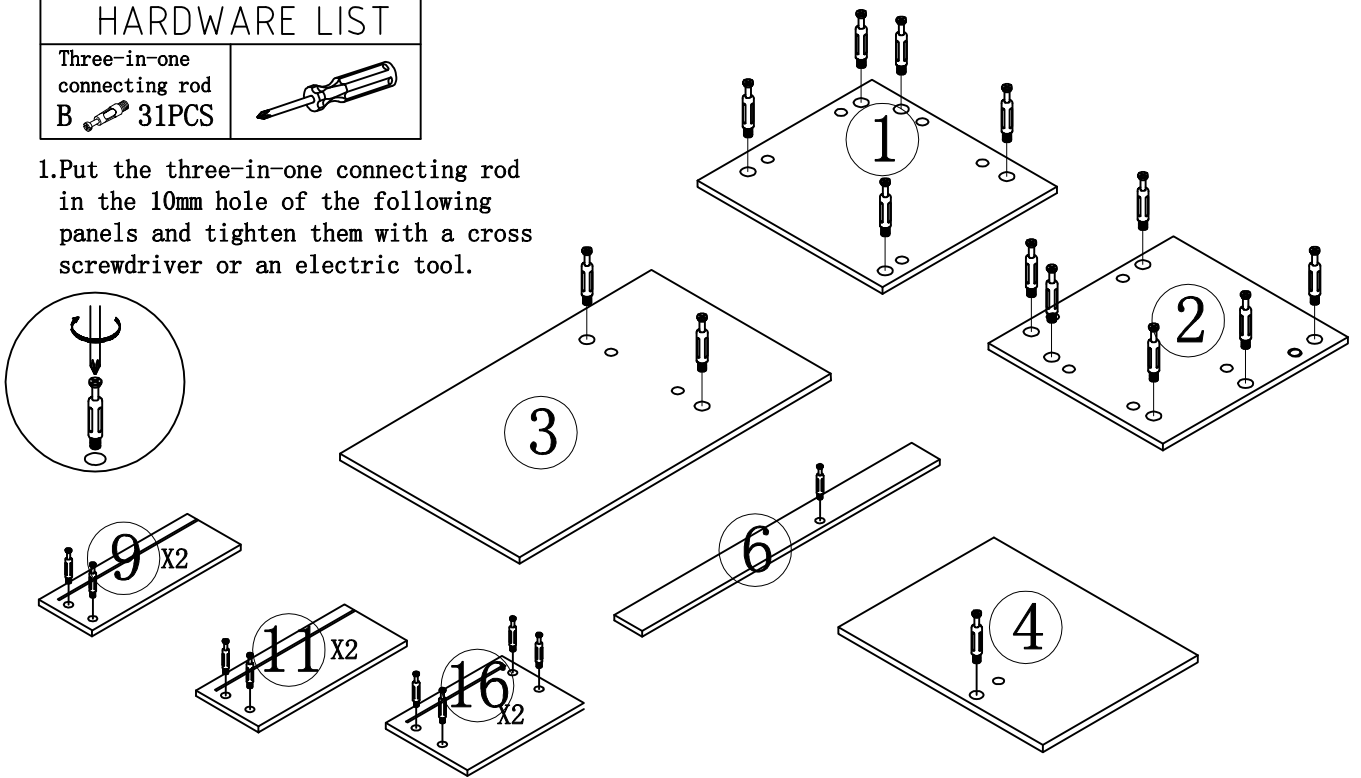
PARTS LIST					
PARTS LIST					
NO	DESCRIPTION	QTY	NO	DESCRIPTION	QTY
①	Left side panel	1	⑨	Drawer side panel	2
②	Right side panel	1	⑩	Drawer rear panel	1
③	Bottom panel	1	⑪	Drawer side panel	2
④	Center partition panel	1	⑫	Drawer rear panel	1
⑤	Front drawbar	1	⑬	Drawer bottom panel	2
⑥	Rear baffle	1	⑭	Left door panel	1
⑦	Rear baffle	1	⑮	Right door panel	1
⑧	Front drawbar	1	⑯	Drawer front panel	2

PARTS LIST					
HARDWARE LIST					
NO	DESCRIPTION	QTY	NO	DESCRIPTION	QTY
A	Three-in-one eccentric wheel	31	H	Door handle	4
B	Three-in-one connecting rod	31	I	Metal round feet	4
C	Three-in-one sticker	31	J	door hinge	4
D	8*40mm wood dowel pins	15			
E	Drawer slides	4			
F	4*16mm screw	64			
G	4*14mm screw	8			
CAUTION: Please confirm the parts list before installation					

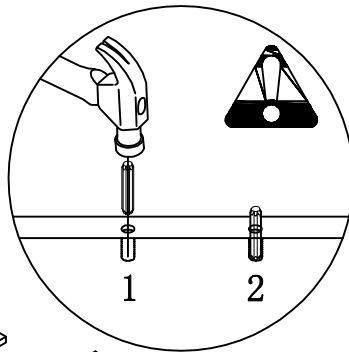
STEP 1

HARDWARE LIST	
Three-in-one connecting rod B  31PCS	

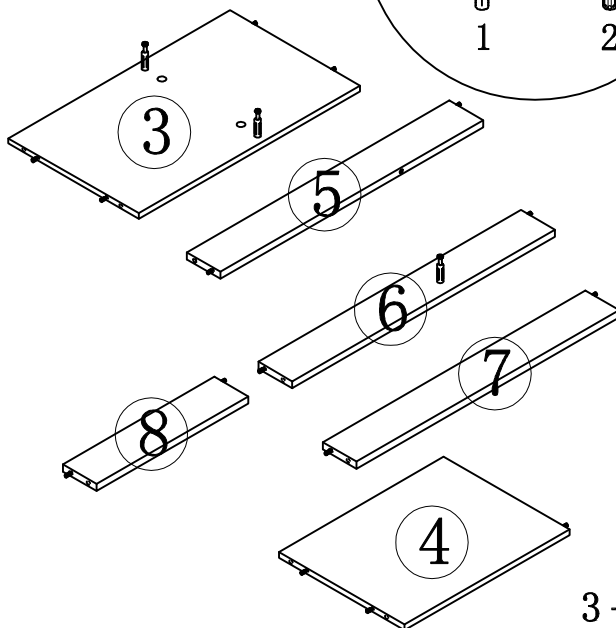
1. Put the three-in-one connecting rod in the 10mm hole of the following panels and tighten them with a cross screwdriver or an electric tool.


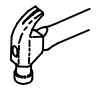


STEP 2

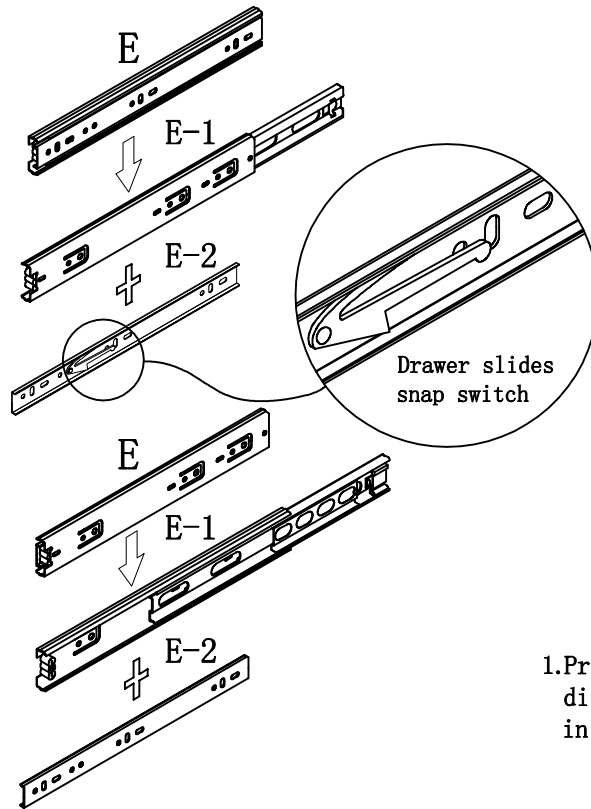




1. Strike the 08*40mm wood dowel pin into the 8m hole of the above panels with an iron hammer. Please note that the hole of the three-in-one connecting rod should also be 8mm. The hole of the three-in-one connecting rod connects to the hole of 15mm three-in-one eccentric wheel.



HARDWARE LIST	
8*40mm wood dowel pins D  15PCS	

STEP 3

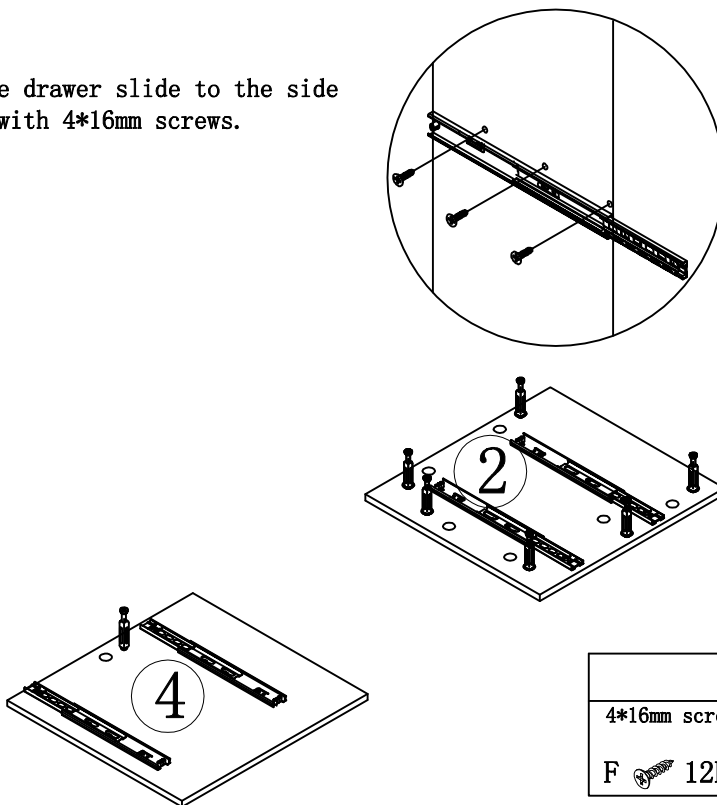





HARDWARE LIST	
Drawer slides	
E  4PCS	

1. Press the slide snap switch, disassemble slide blocks and put them in a place properly for further use.

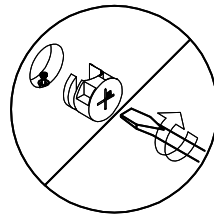
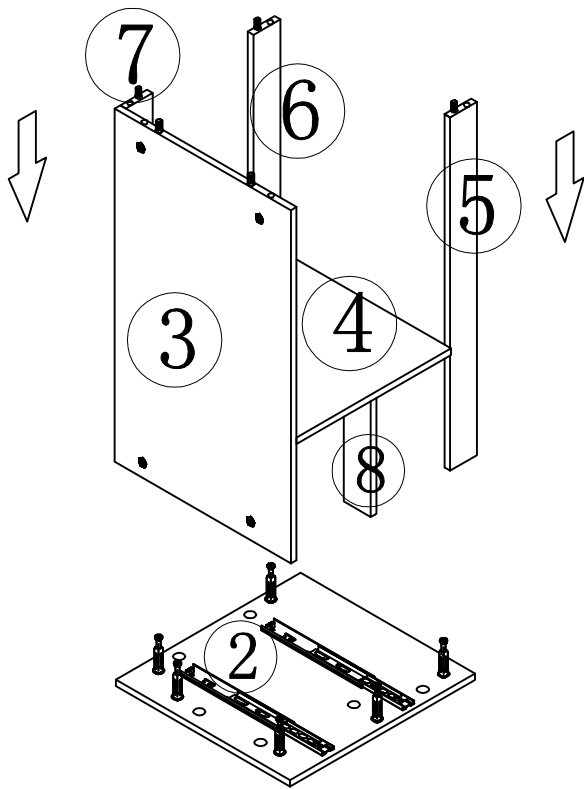
STEP 4

1. Fix the drawer slide to the side panel with 4*16mm screws.

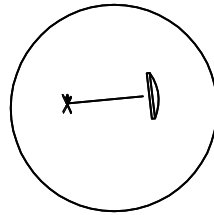


HARDWARE LIST		
4*16mm screw	Drawer slides	
F  12PCS	E-1  4PCS	




STEP 5



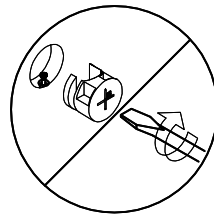
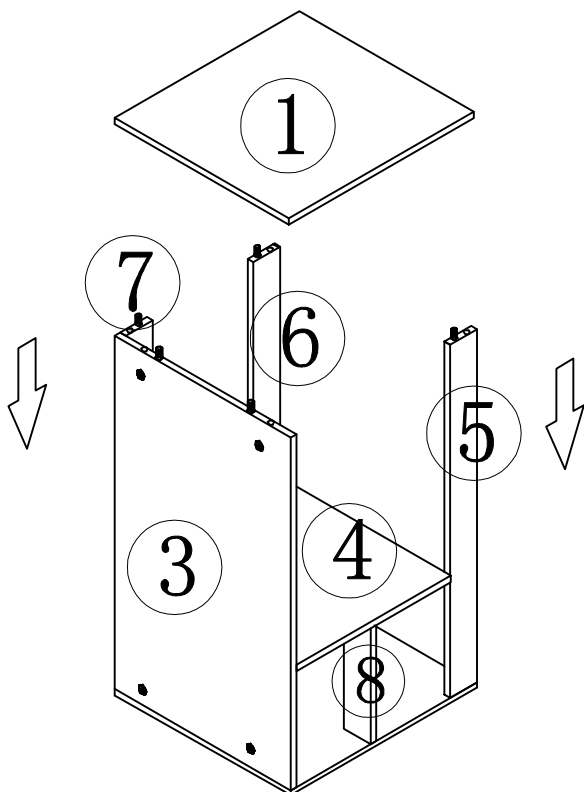
1. Connect No. 3-5-6-7-8 panel to No. 2 panel tightly with the three-in-one eccentric wheel.



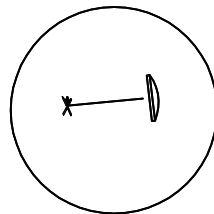
2. Cover the mounting hole of the eccentric wheel with a three-in-one sticker.

HARDWARE LIST		
Three-in-one eccentric wheel A  10PCS	Three-in-one sticker C  10PCS	


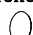

STEP 6



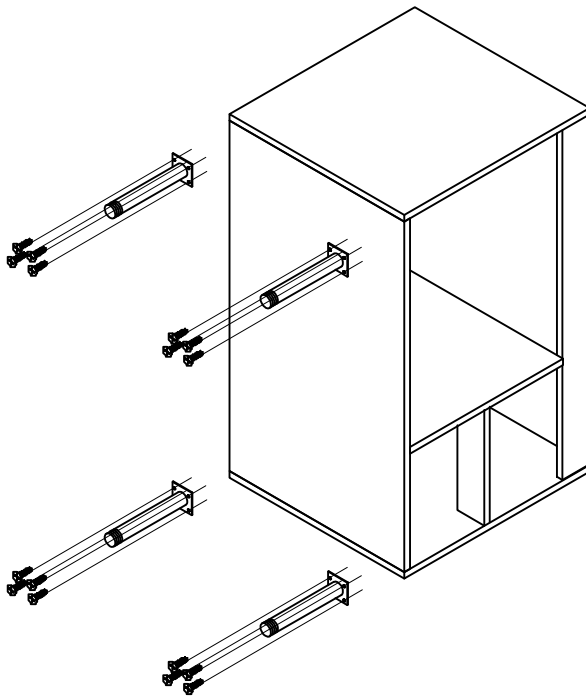
1. Connect No. 1 panel to No. 3-5-6-7 panel tightly with the three-in-one eccentric wheel.



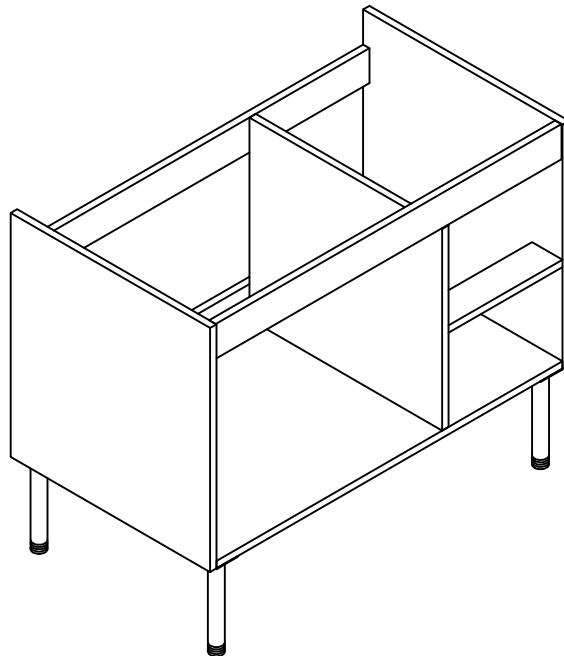
2. Cover the mounting hole of the eccentric wheel with a three-in-one sticker.




HARDWARE LIST		
Three-in-one eccentric wheel A  5PCS	Three-in-one sticker C  5PCS	

STEP 7

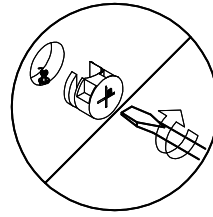
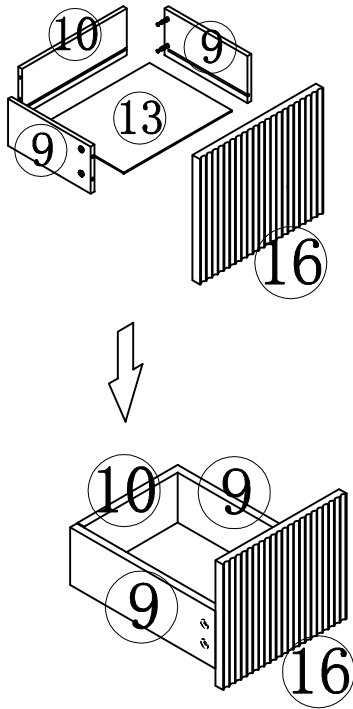


Fix the round metal feet with 4*16mm screws.

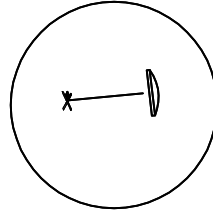


HARDWARE LIST		
4*16mm screw	Metal round feet	
F  16PCS	I  4PCS	

STEP 8






1. Install No. 9-10-13-16 panels with the three-in-one eccentric wheel tightly.

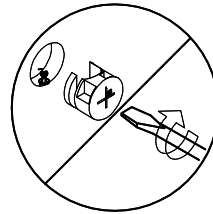
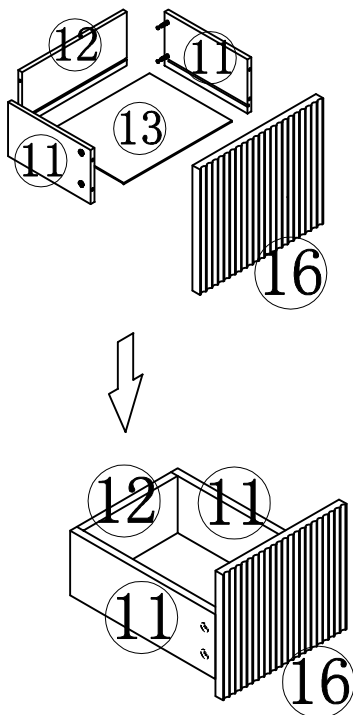


2. Cover the mounting hole of the eccentric wheel with a three-in-one sticker.

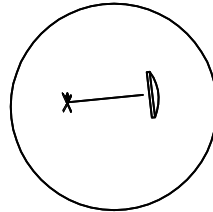
HARDWARE LIST

Three-in-one eccentric wheel A  8PCS	Three-in-one sticker C  8PCS	
---	---	--

STEP 9






1. Install No. 11-12-13-16 panels with the three-in-one eccentric wheel tightly.

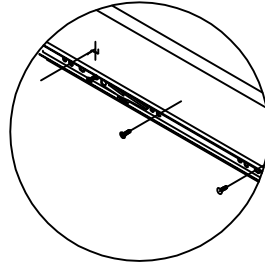
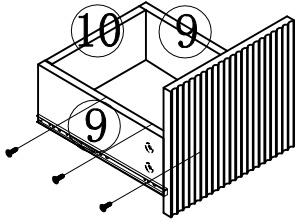


2. Cover the mounting hole of the eccentric wheel with a three-in-one sticker.

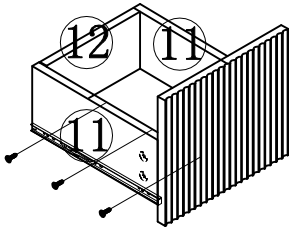
HARDWARE LIST




Three-in-one eccentric wheel A  8PCS	Three-in-one sticker C  8PCS	
--	--	---

STEP 10



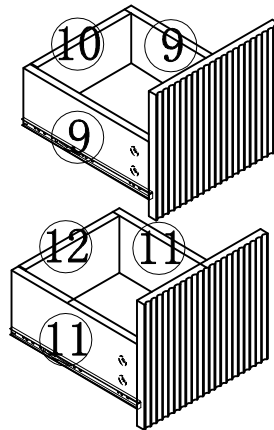
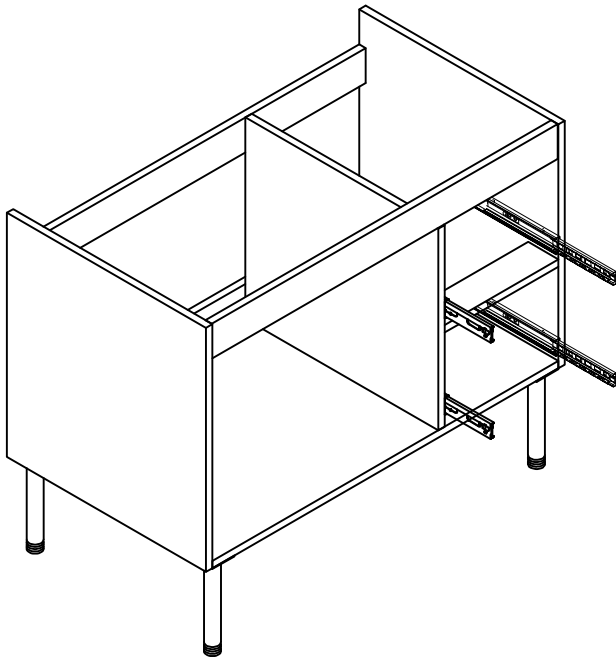
Lock the spare drawer slide block to the drawer.



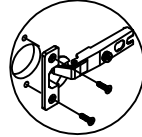
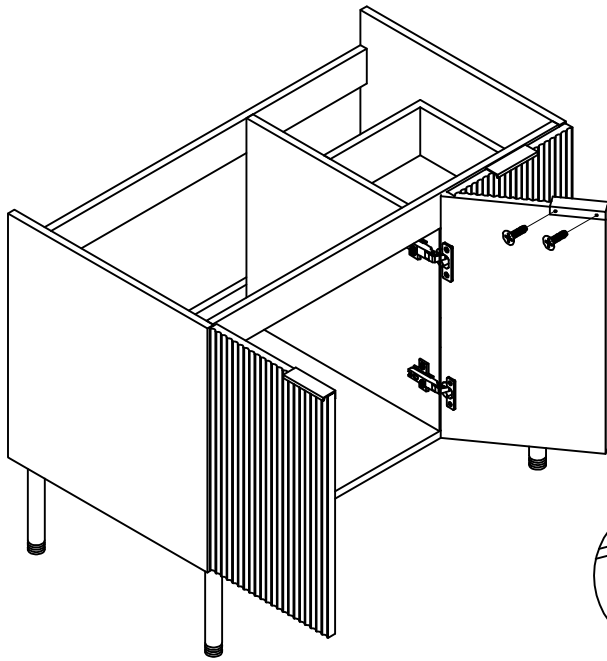
HARDWARE LIST		
4*16mm screw	Drawer slides	
F  12PCS	E-2  4PCS	

6

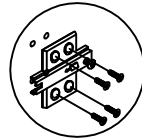
STEP 11



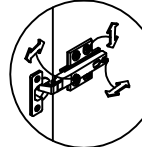
STEP 12



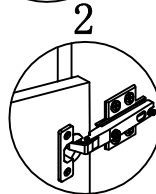
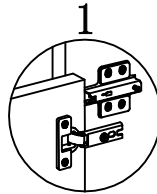
1. Install the hinge cup to the door panel with 4*16mm screws.



2. Install the hinge to the side panel with 4*16mm screws.



4. Adjust the door panel clearance.



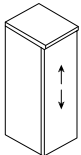
3. Install the hinge cup on the door panel to the hinge of the side panel.

HARDWARE LIST				
4*16mm screw	Door hinge	Door handle	4*14mm screw	
F  24PCS	J  4PCS	H  4PCS	G  8PCS	

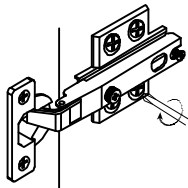
Hinge/Door Adjustment and Realignment

If adjustment or realignment is needed, follow the instructions provided in the following chart.

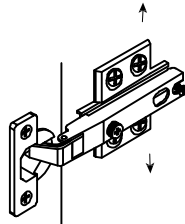
Vertical adjustment



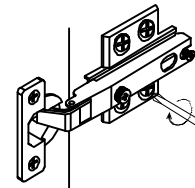
1. Loosen screws



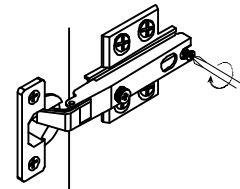
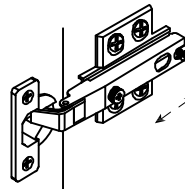
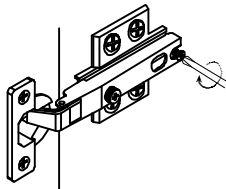
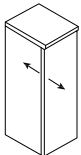
2. Adjust hinge



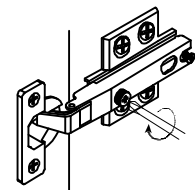
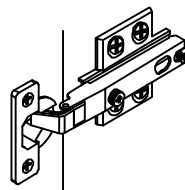
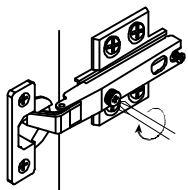
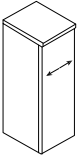
3. Tighten screws



Horizontal adjustment



Door gap adjustment





Choking hazard-Small Parts : This unit contains small parts, not for children under 3 years.

Tip-over hazard : Secure finished unit to wall stud using L-Bracket and wall screw (#10*1.5"W/out provided). If a wall stud is not neccessible , Consault your local hardware store for appropriate mounting hardware . Failure to properly install will result in product collapse or tip-over. Serious injury can occur .