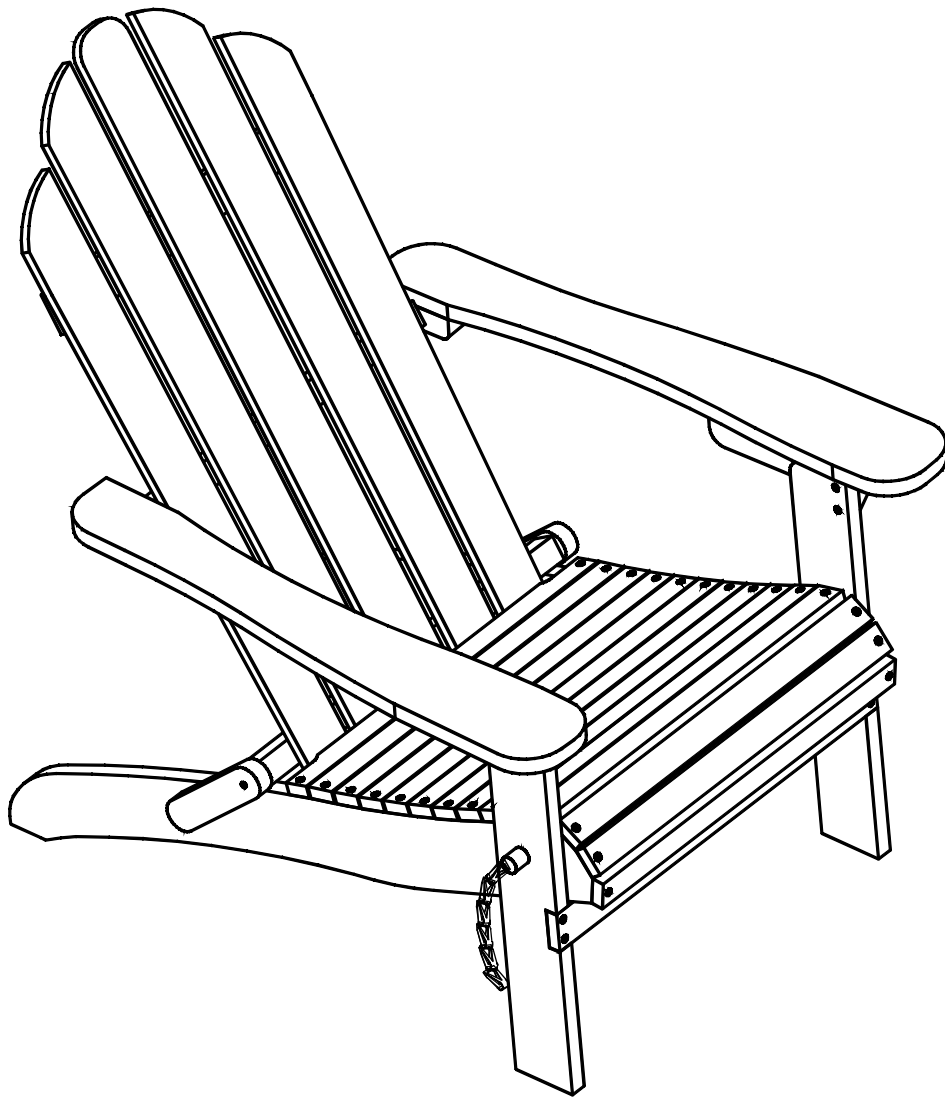


Assembly Instructions

Caution: You must read this before you proceed

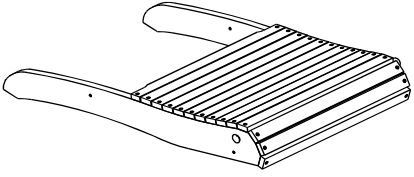
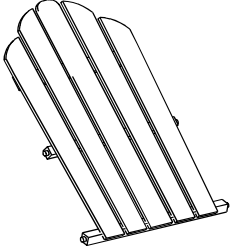
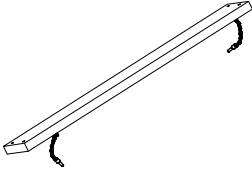
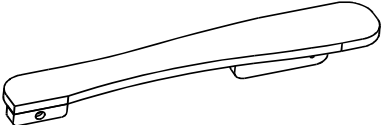
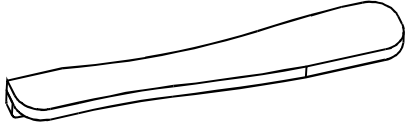
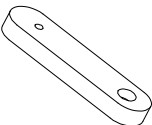
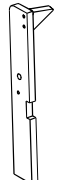
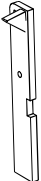
Please look underneath seat panel for hardware packs

ADIRONDACK CHAIR

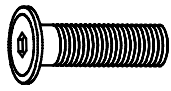

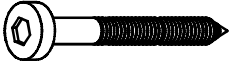
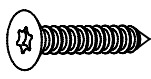

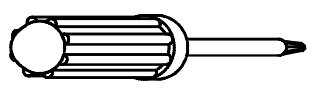


CAUTION : This Adirondack Chair is NOT a TOY.
Keep your child / children at bay during the assembly process.
For moving the Adirondack Chair and to prevent damage to the
Adirondack Chair, two adults are needed to execute this action.

Parts List

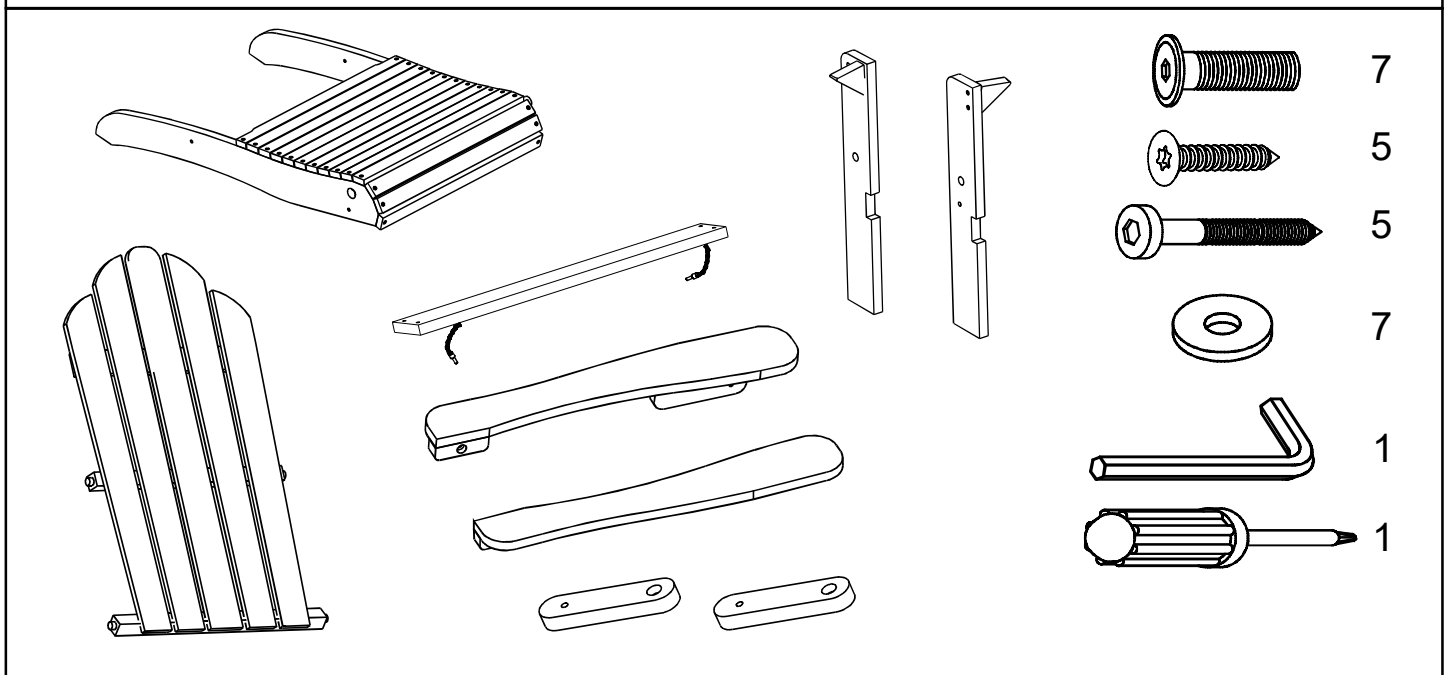
Label	Picture	Description	QTY
A		Seat Panel	1
B		Backrest	1
C		Support Bar of Front Leg	1
D		Right Armrest	1
E		Left Armrest	1
F		Folding Support Bar	2
G		Right Front Leg	1
H		Left Front Leg	1

Hardware

Label	Picture	Description	QTY
①		Bolt (M6x35 mm)	7
②		Plastic Washer (Ø6.5/Ø18x2mm)	7
③		Screw (M6x60mm)	5
④		Screw (M4x30mm) (Use with Screwdriver)	5
⑤		Allen Wrench	1
⑥		Screwdriver (Not provided)	1

Assembly Preparation

Before Beginning Assembly:



- Read instructions, cover to cover-



- Have 2 adults on hand for assembly-



- Do not assemble on flooring or carpet-



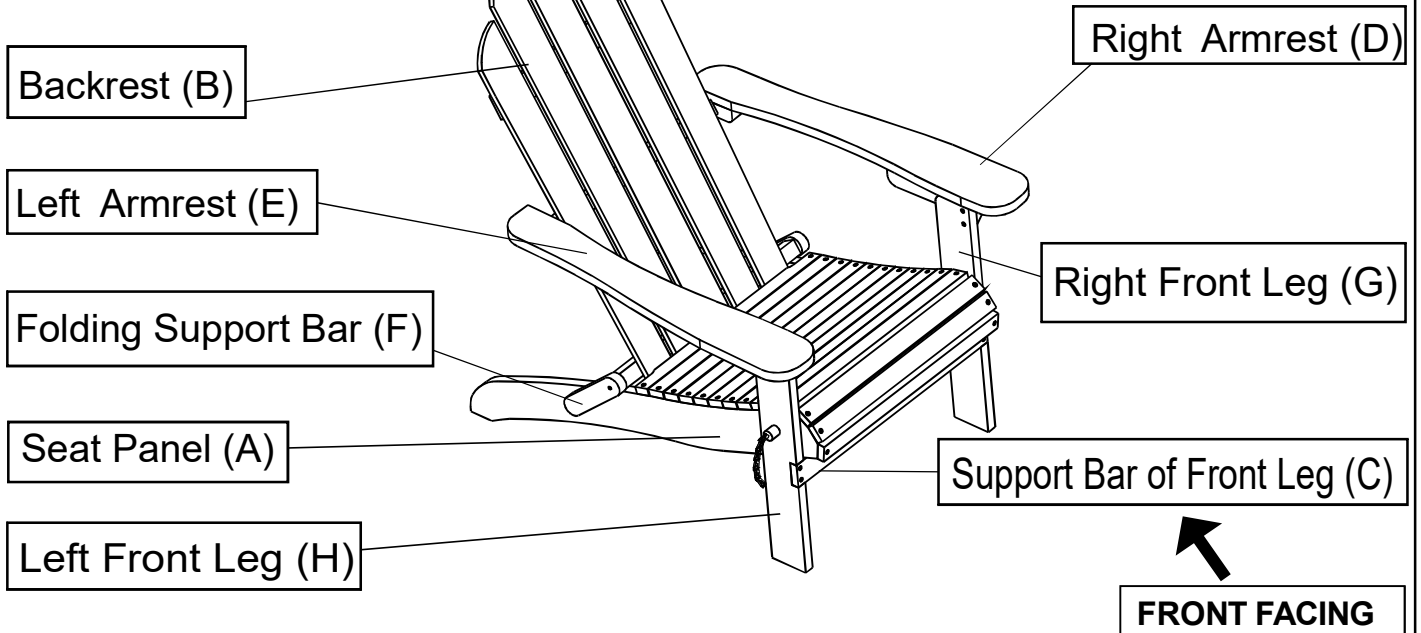
- Assemble on a clean non-marring surface (packing foam)-



- Save all packaging until finished-

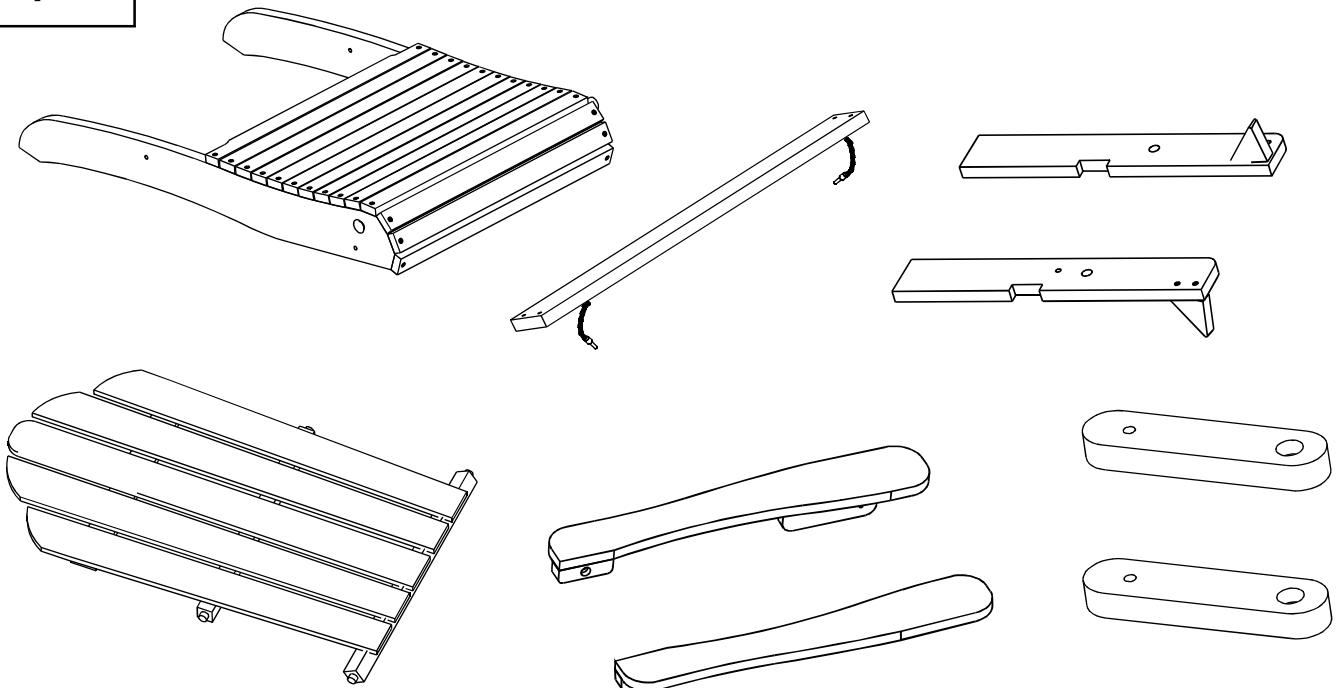
Before Beginning Assembly:

OVERVIEW



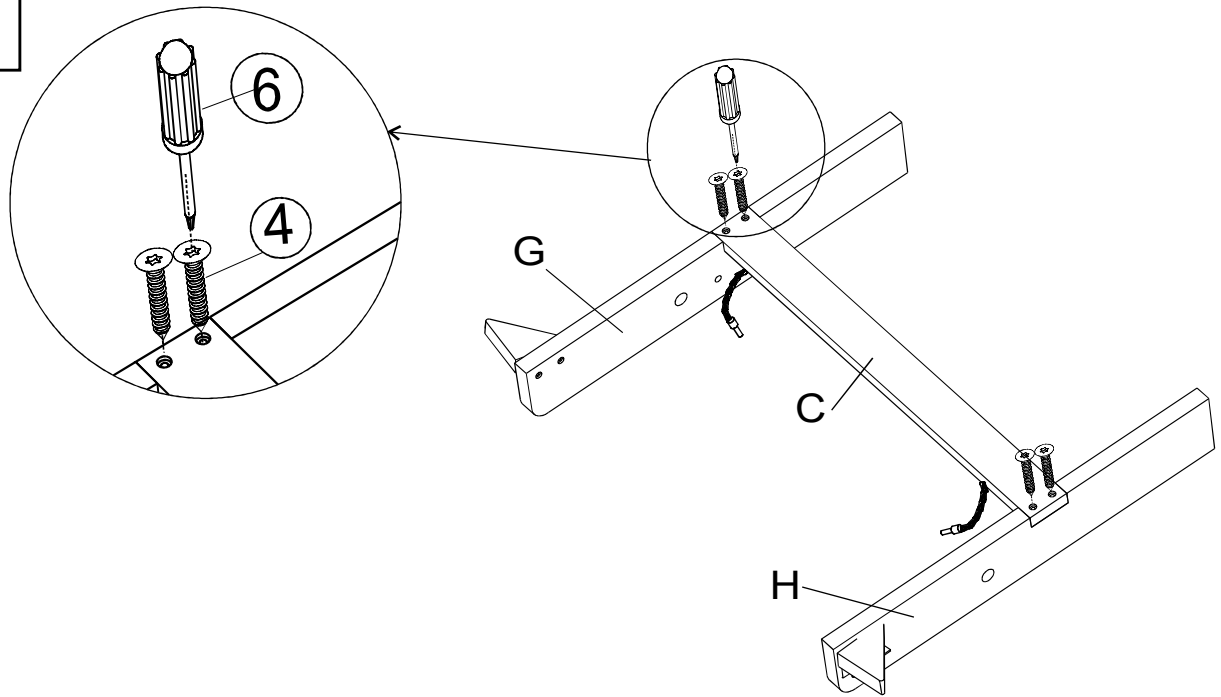
This Adirondack Chair has multiple parts and may require up to 30 minutes to assemble. To give you an overview of the Adirondack Chair parts, the above picture is to help you put the various parts into perspective. Please read through the instructions below to familiarise yourself with the parts and steps before assembly.

Step 1



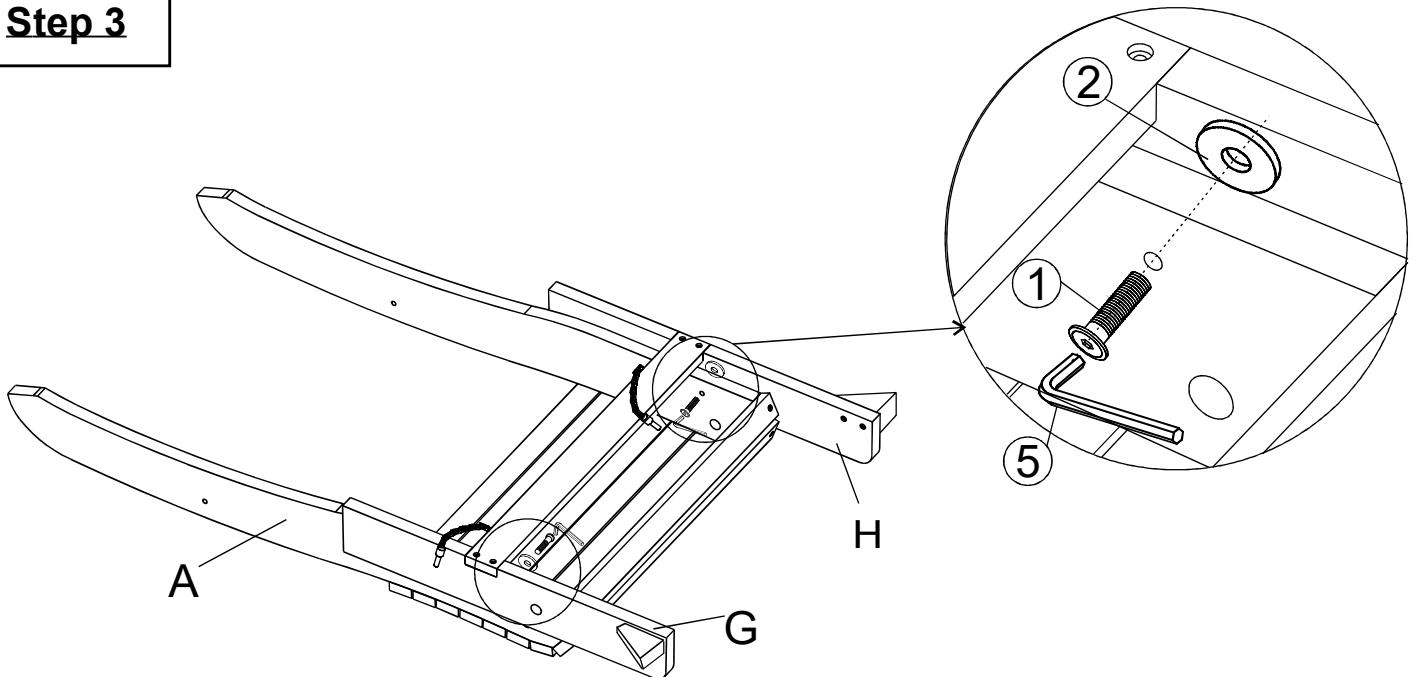
Unpack and place all parts on a clean, non-marring surface.

Step 2



Attach Support Bar of Front Leg (C) to Right Front Leg (G) Left Front Leg (H) and using Screws (4) with Screwdriver (6).

Step 3

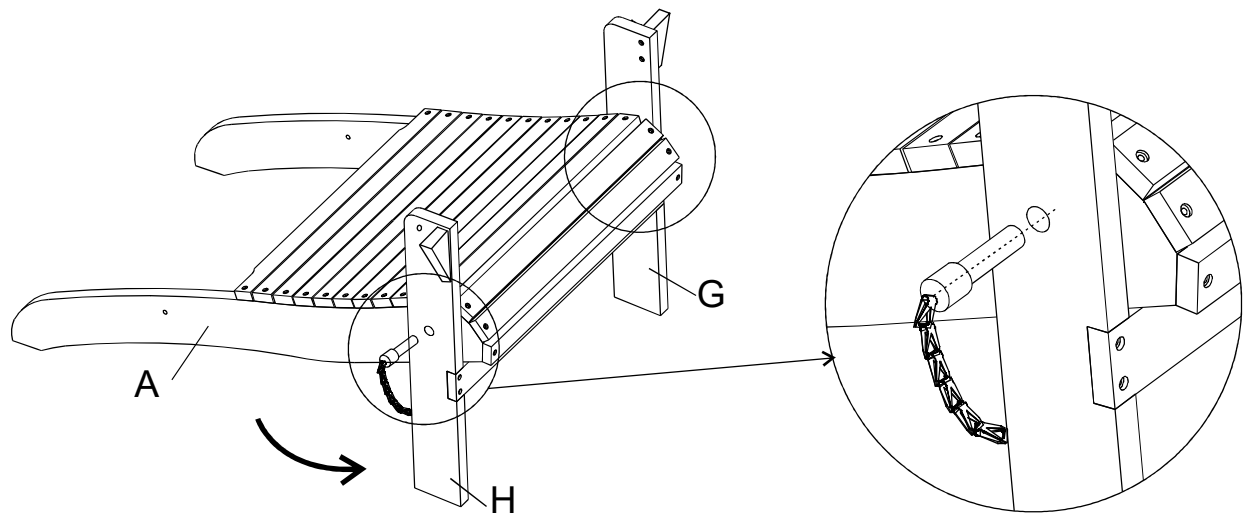


Turn upside down Seat Panel(A) as shown in the picture.
Attach Pre-fixed Front Leg in Step 2 to Seat Panel (A) using Bolt (1), Plastic Washer (2), and Allen Wrench (5).

Do not fully tighten Bolts

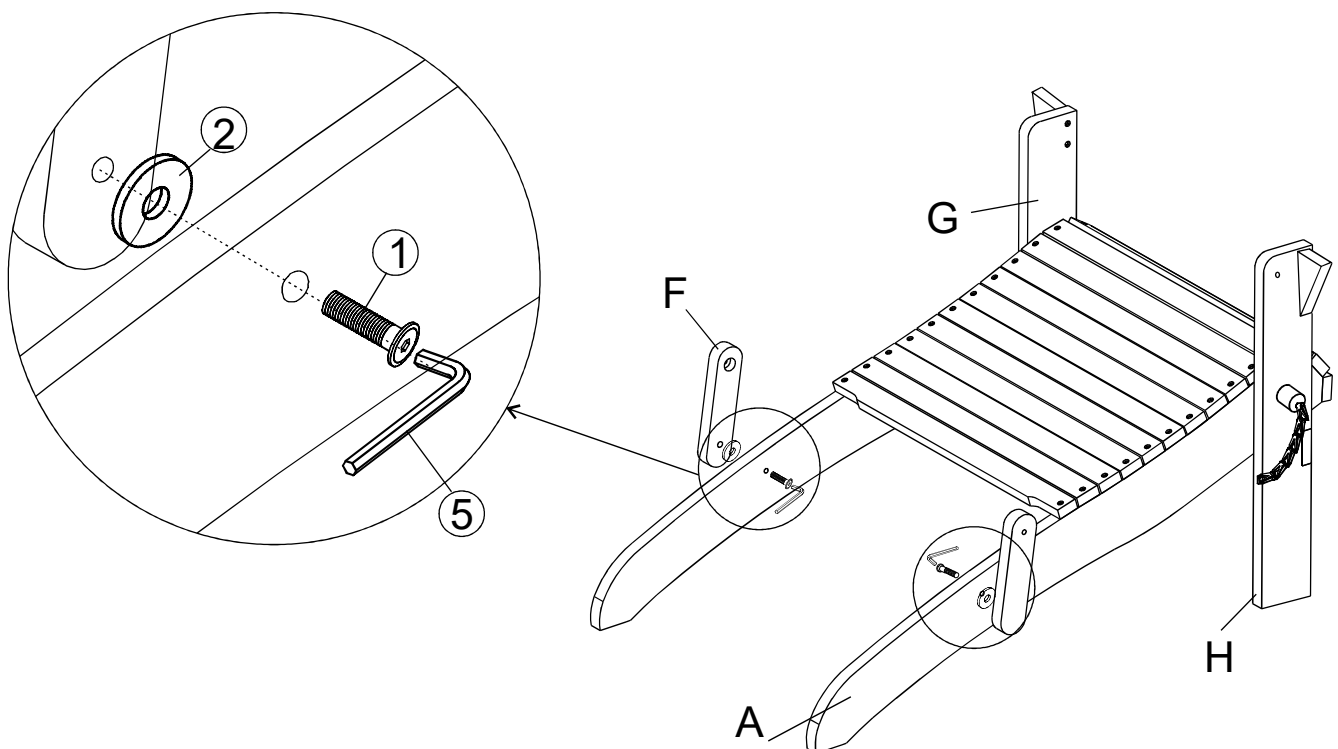
Note: The Plastic Washer should be placed between the Seat Panel and Front Leg.

Step 4



With the assistance of an adult partner, fold out the Right and Left Front Leg as indicated by the arrow
Push the Wooden Pin through the Legs as pictured to Lock the Chair into position.

Step 5

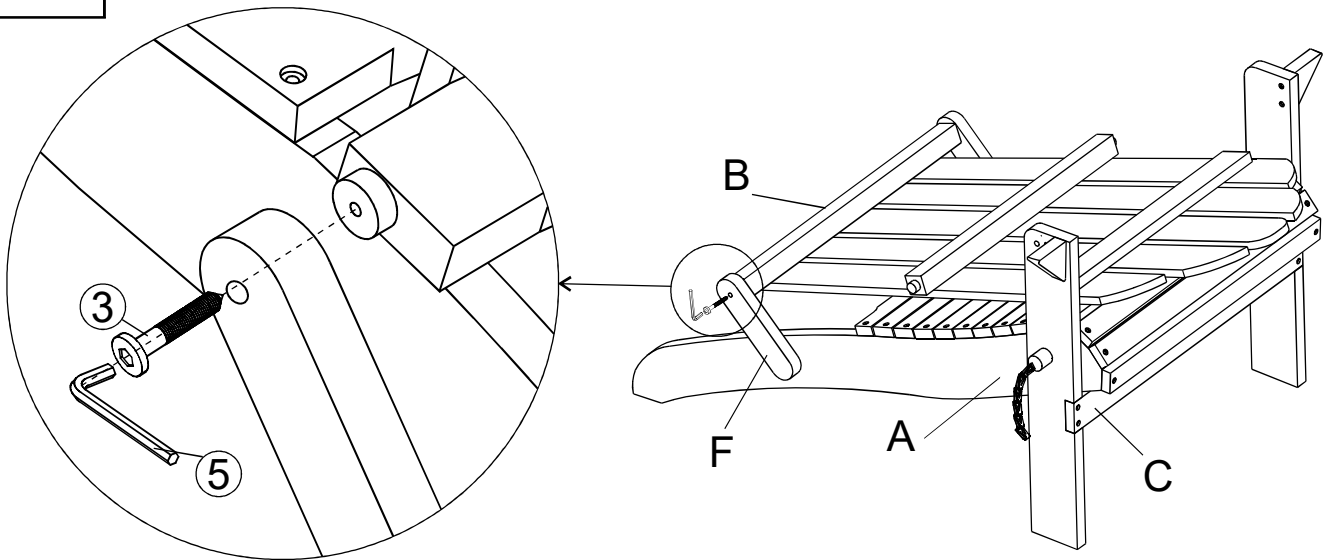


Place the Frame in Step 4 in the position as picture above
Attach Folding Support Bar(G) to Seat Panel(A) using Bolt (①), Plastic Washer (②), with Allen Wrench (⑥).

Do not fully tighten Bolts.

Note: Plastic Washer should be placed between Seat Panel and Folding Support Bar.

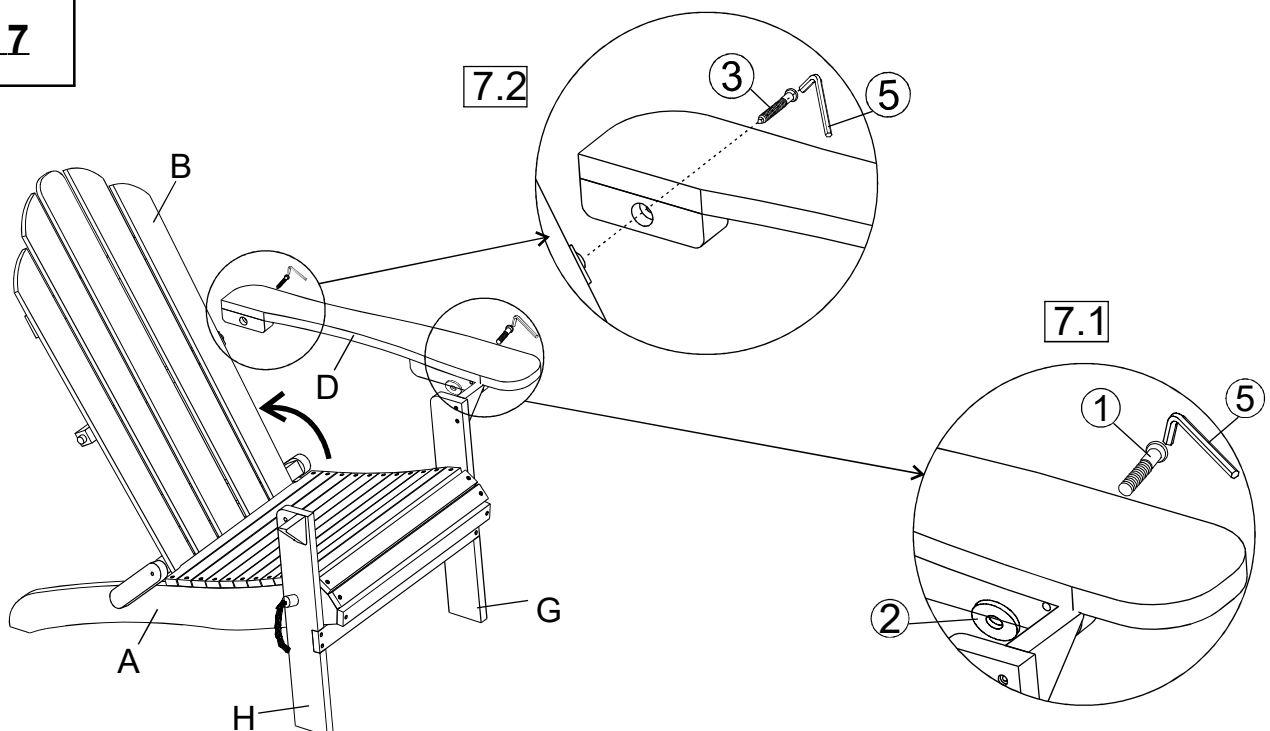
Step 6



Position Backrest (B) with mortise into housing of Folding Support Bar (G)
Secure Folding Support Bar (F) to Backrest (B) using Screw (3) and
Allen Wrench (5) as shown above.

Do not fully tighten Screws

Step 7



With the help of your adult partner, unfold the Backrest (B) from step 6, then:

7.1) Attach the Right Armrest (D) to Right Front Leg (G) by using Bolt (1), Plastic Washer (2) and Allen Wrench (5).

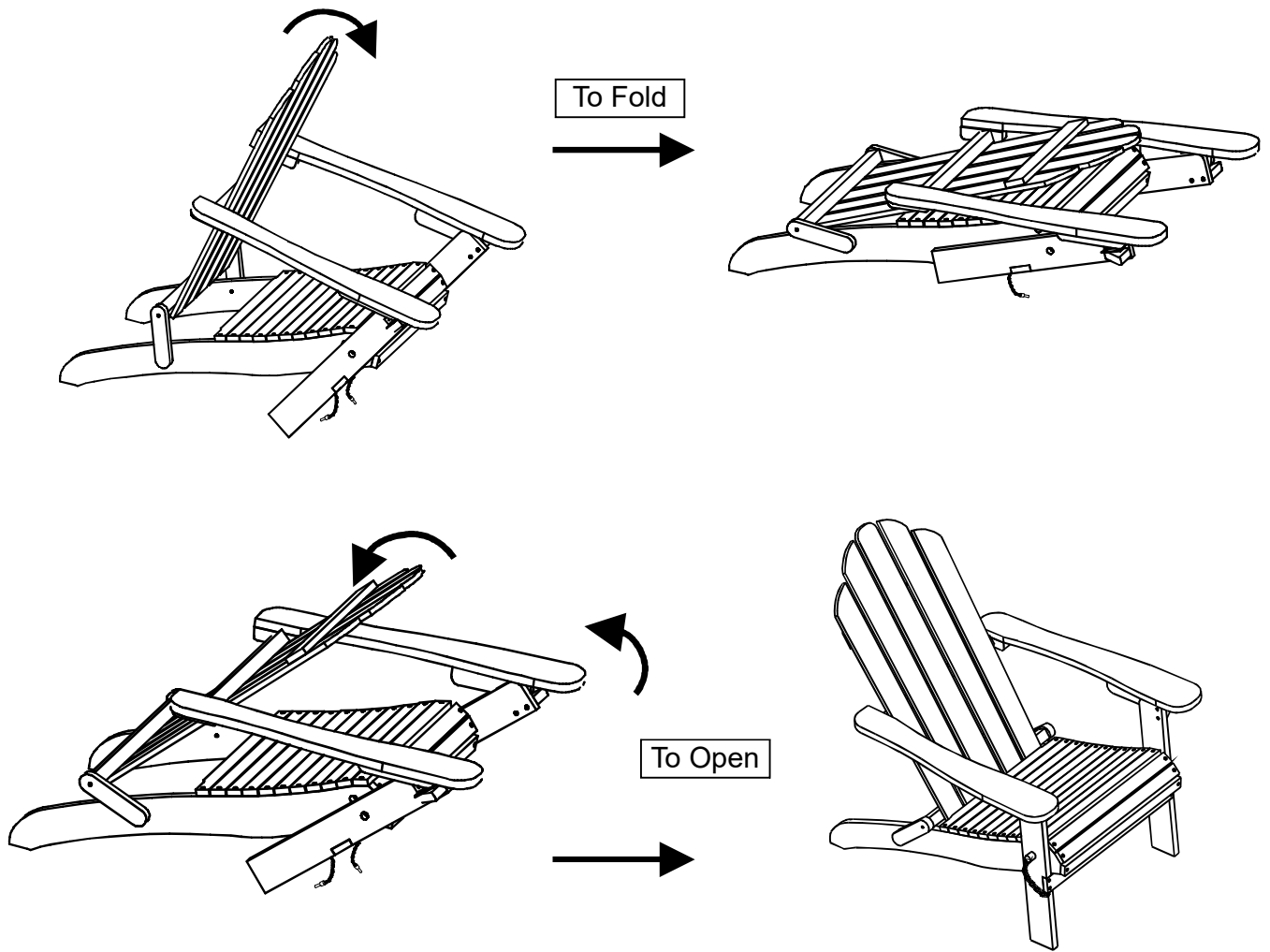
7.2) Secure Right Armrest (D) to Backrest (B) using Screw (3) and Allen Wrench (5).

Do not fully tighten Bolts and Screws.
Note: Plastic Washer should be placed between Right Armrest and Right Front Leg.

Repeat the same process with the Left Armrest (H).

In a sequential manner, tighten all Bolts and Screws at all joints until fully locked into position.

Step 8











This Adirondack Chair can be folded shut.


To fold: pull the Wooden Pins out of the Legs, then lift up the Backrest and fold the Seat forward as indicated by the arrows, until the Adirondack folds shut.

To open: pull the Backrest and Seat up as indicated by the arrows, then insert the Wooden Pins through the Legs.

Note: This Adirondack Chair is heavy, always have a second adult to assist whenever moving or lifting it.

Care & Maintenance

-  ● Do not put hot items directly on furniture surface
-  ● Do not clean furniture with harsh cleansers or polish.
-  ● To obtain the longest lifespan of your outdoor products, minimizing exposure to direct sunlight is recommended.
-  ● Children should not climb or jump on the furniture.
-  ● Do not write on furniture without a padded barrier to protect the surface.
-  ● To obtain the longest lifespan of your outdoor products, avoid extended and lengthy exposure to rain, snow, and direct sunshine. Whenever possible cover the product and /or place under patio or awnings.
-  ● Not for commercial use. For residential use only .
-  ● Stains may be removed with mild soap solution and damp cloth.

-  ● Dust and pick-up spills using a clean, non-colored, lint-free cloth .