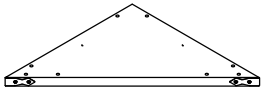


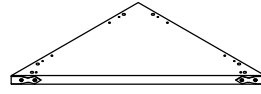
PARTS LIST



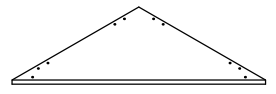
①X1



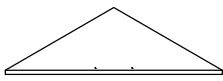
②X1



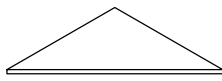
③X1



④X1



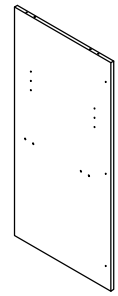
⑤X1



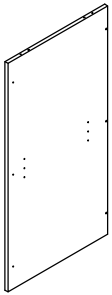
⑥X2



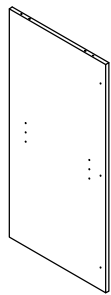
⑦X1



⑧X1



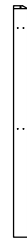
⑨X1



⑩X1



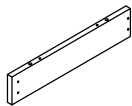
⑪X1



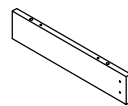
⑫X1



⑬X2



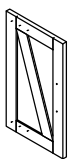
⑭X1



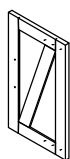
⑮X1



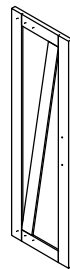
⑯X1



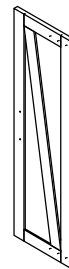
⑰X1



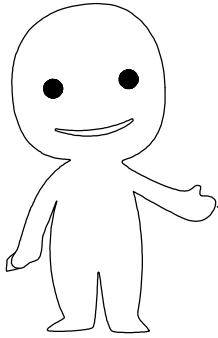
⑱X1



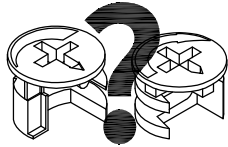
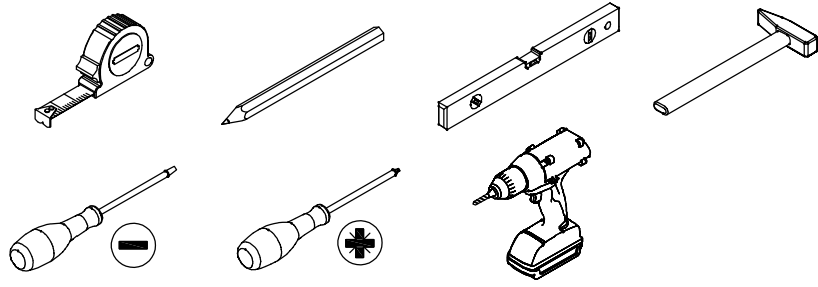
⑲X1




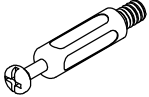

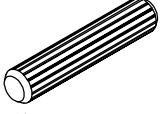
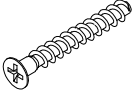
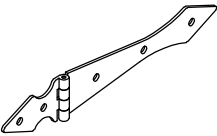
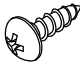



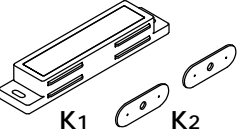



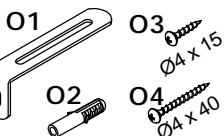
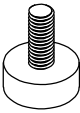
⑳X1



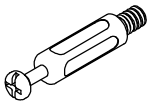
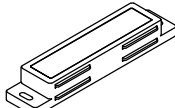

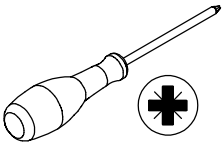

Please prepare the following tools


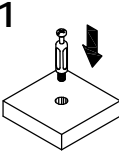
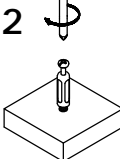
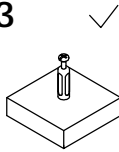


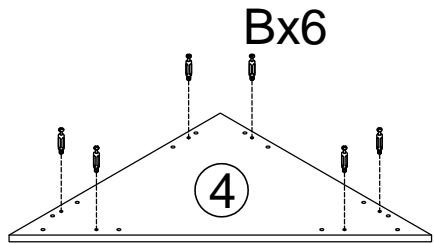
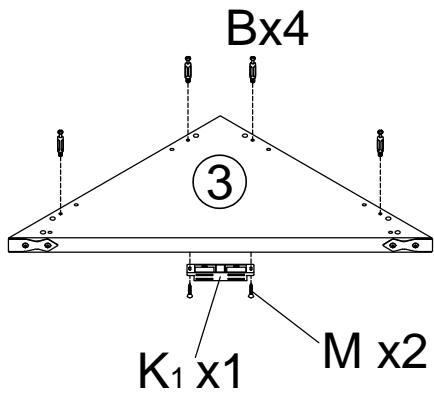
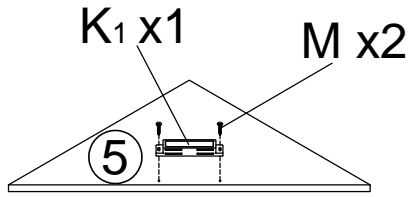
When installing, please carefully confirm whether each screw corresponds to the manual, accessories with similar shapes can be distinguished by size

<p>A x 10+2</p>  <p>Ø15 x 9.5 mm</p>	<p>B x 10+2</p> 	<p>C x 10+2</p> 	<p>D x 32+2</p>  <p>Ø6 x 30 mm</p>
<p>E x 32+2</p>  <p>Ø5 x 40 mm</p>	<p>F x 8</p> 	<p>G x 40+2</p>  <p>Ø3.5 x 12</p>	<p>H x 4</p> 
<p>I x 8</p>  <p>M4 x 18</p>	<p>J x 8</p>  <p>Ø5 x 15</p>	<p>K x 2</p>  <p>K1 K2</p>	<p>L x 4</p>  <p>Ø3 x 12</p>
<p>M x 4</p>  <p>Ø3 x 16</p>	<p>N x 16+2</p>  <p>Ø3.5 x 25</p>	<p>O x 2</p>  <p>O1 O2 O3 O4 Ø4 x 15 Ø4 x 40</p>	<p>P x 4</p> 

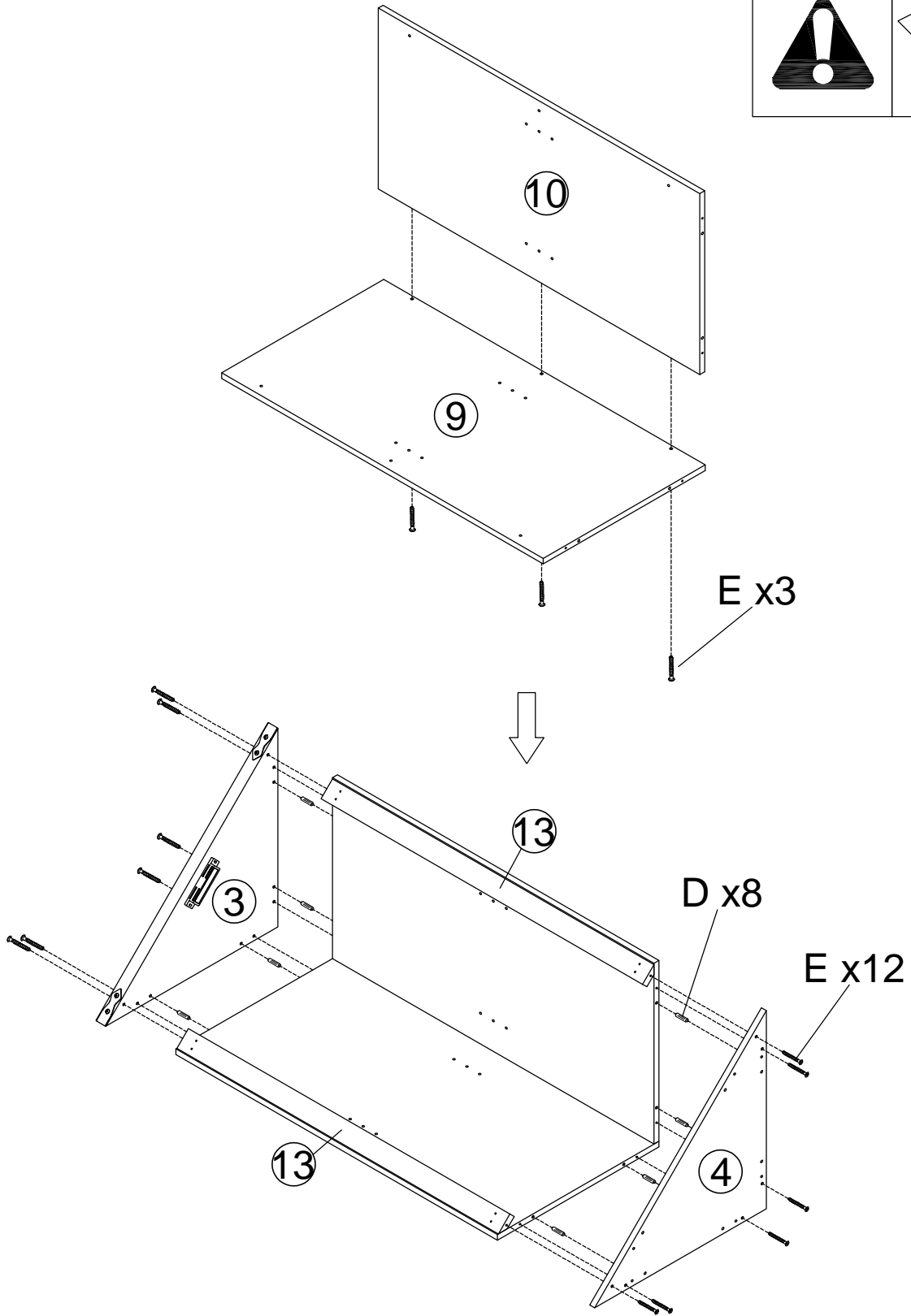
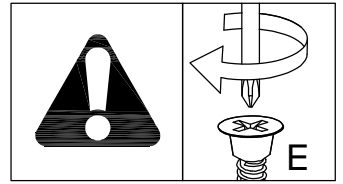
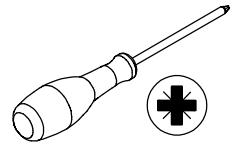
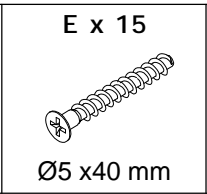
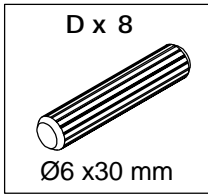
1

<p>B x 10</p> 	<p>K x 2</p>  <p>K1</p>	<p>M x 4</p>  <p>Ø3 x 16</p>	 
---	--	---	---


	<p>1</p> 	<p>2</p> 	<p>3</p> 
---	--	--	--


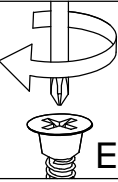


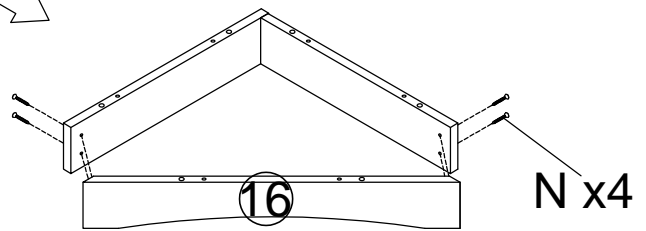
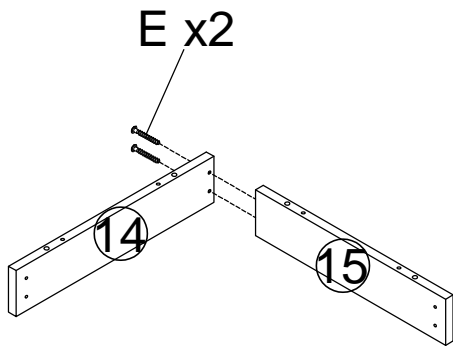
2




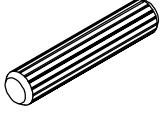

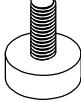
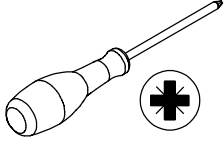


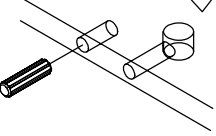
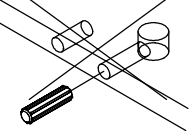
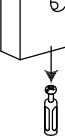
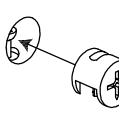
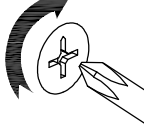
3

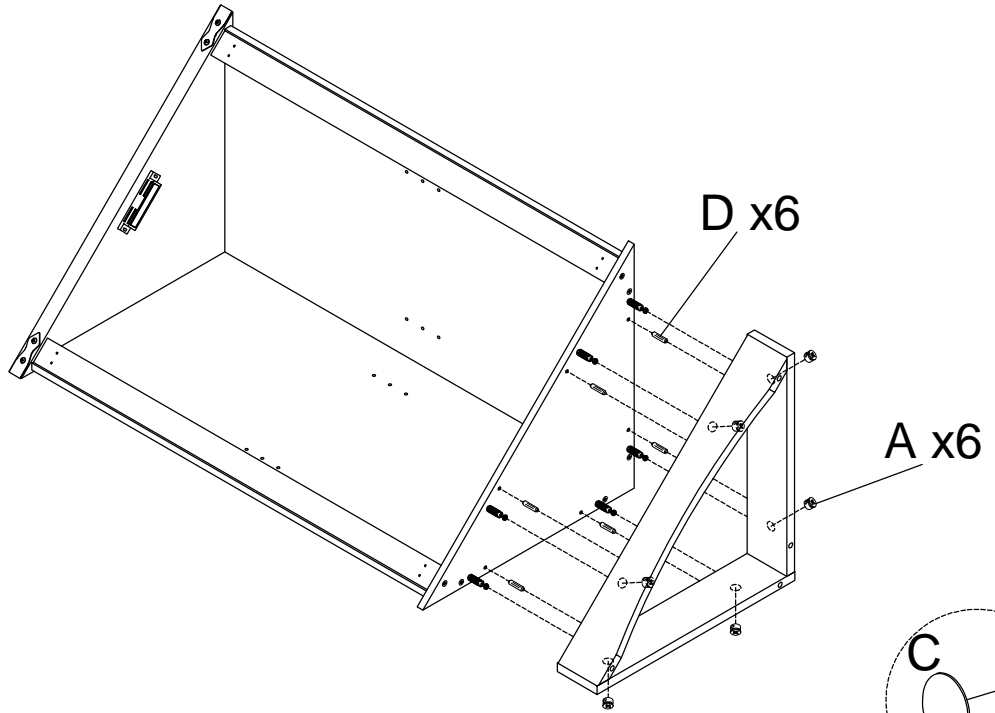
<p>E x 2</p>  <p>Ø5 x40 mm</p>	<p>N x 4</p>  <p>Ø3.5 x 25</p>	 
---	---	---

	 <p>E</p>
---	--

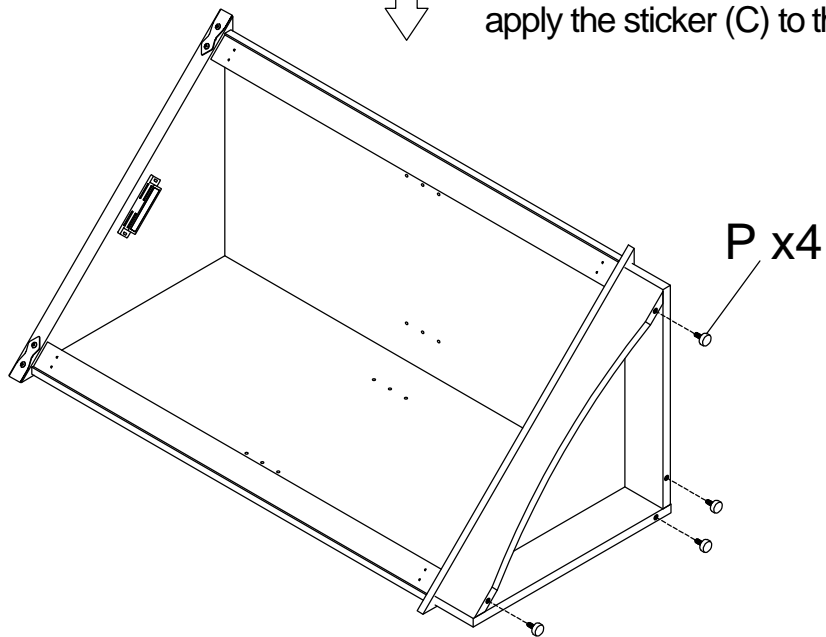
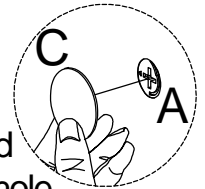


4

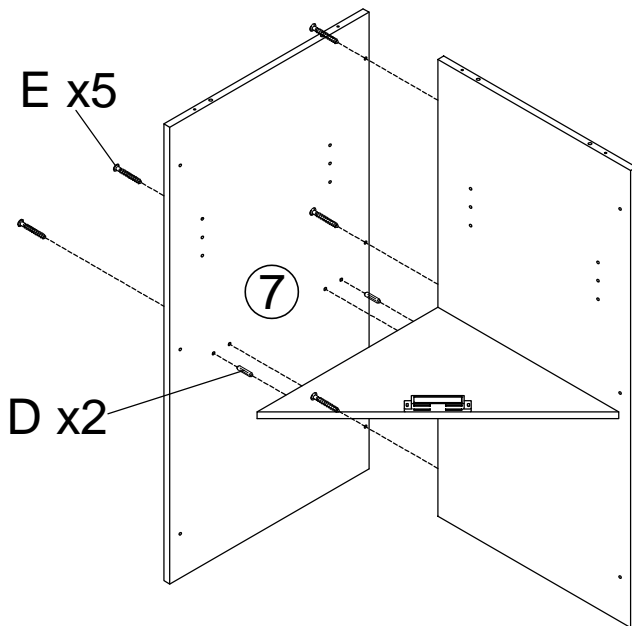
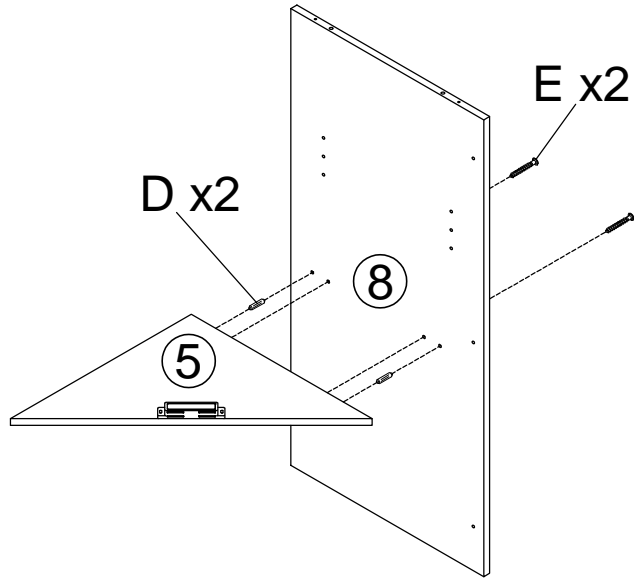
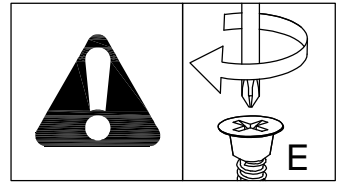
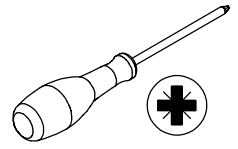
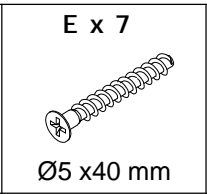
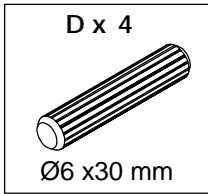
<p>A x 6</p>  <p>Ø15 x 9.5 mm</p>	<p>D x 6</p>  <p>Ø6 x30 mm</p>	<p>C x 6</p> 	<p>P x 4</p> 	 	
					



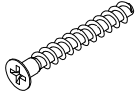
Tighten the three in one and apply the sticker (C) to the hole.

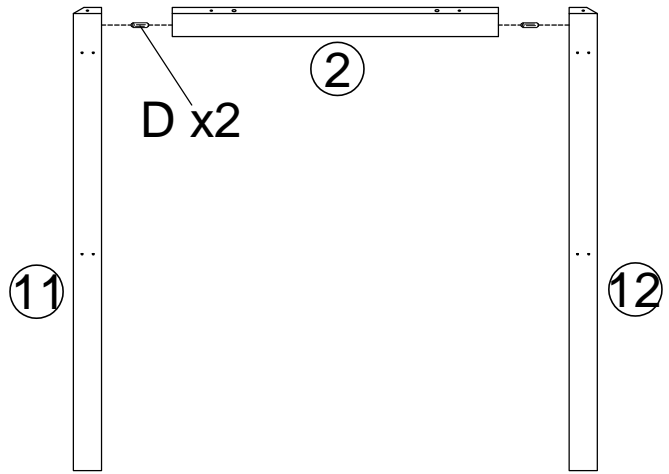
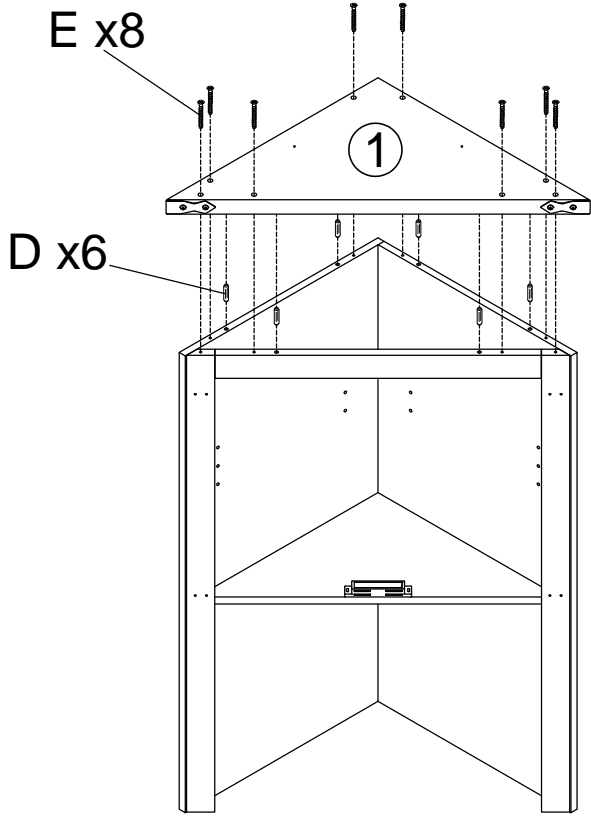
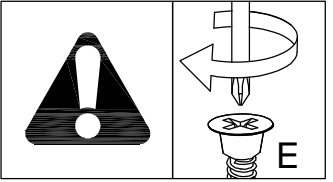


5


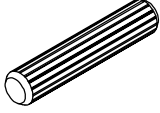

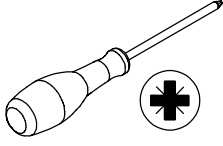


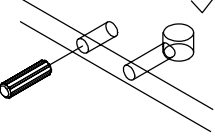
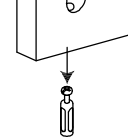
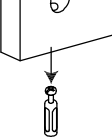
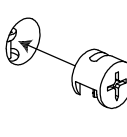


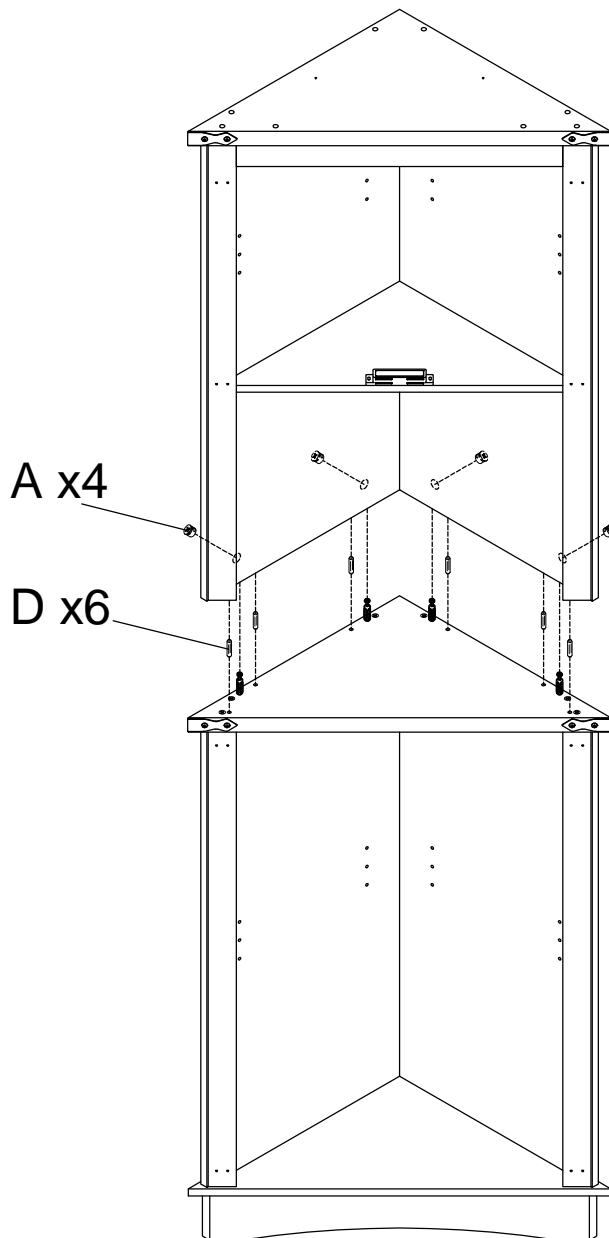
6

<p>D x 8</p>  <p>Ø6 x30 mm</p>	<p>E x 8</p>  <p>Ø5 x40 mm</p>	
---	---	--

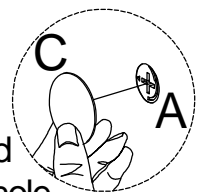


7

<p>A x 4</p>  <p>Ø15 x 9.5 mm</p>	<p>D x 6</p>  <p>Ø6 x30 mm</p>	<p>C x 4</p> 			
					



Tighten the three in one and apply the sticker (C) to the hole.

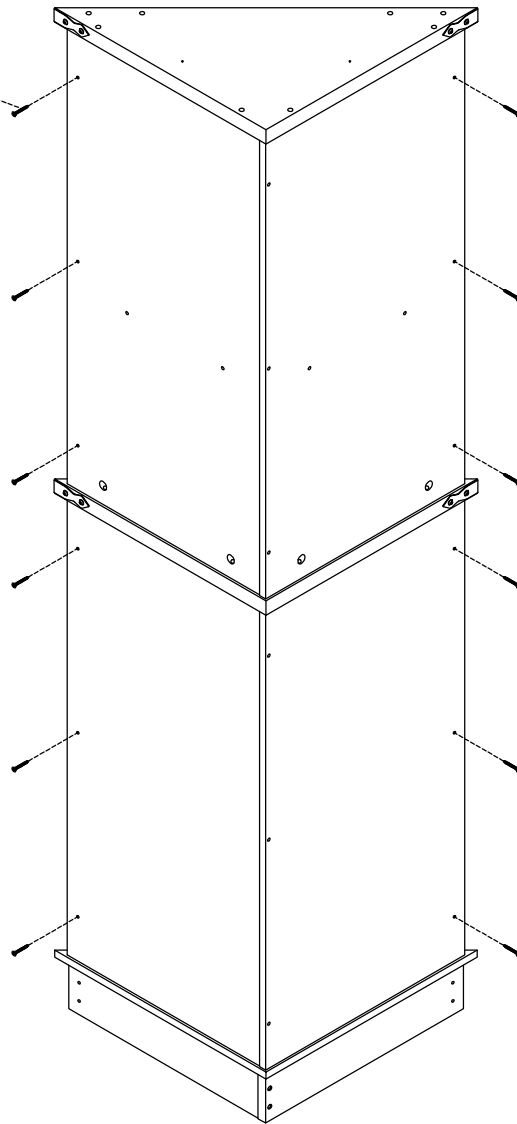
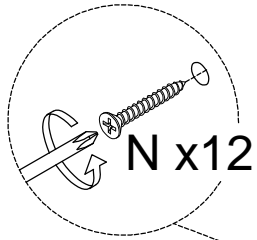
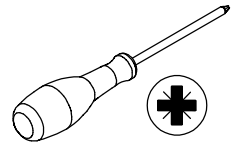


8

N x 12



Ø3.5 x 25

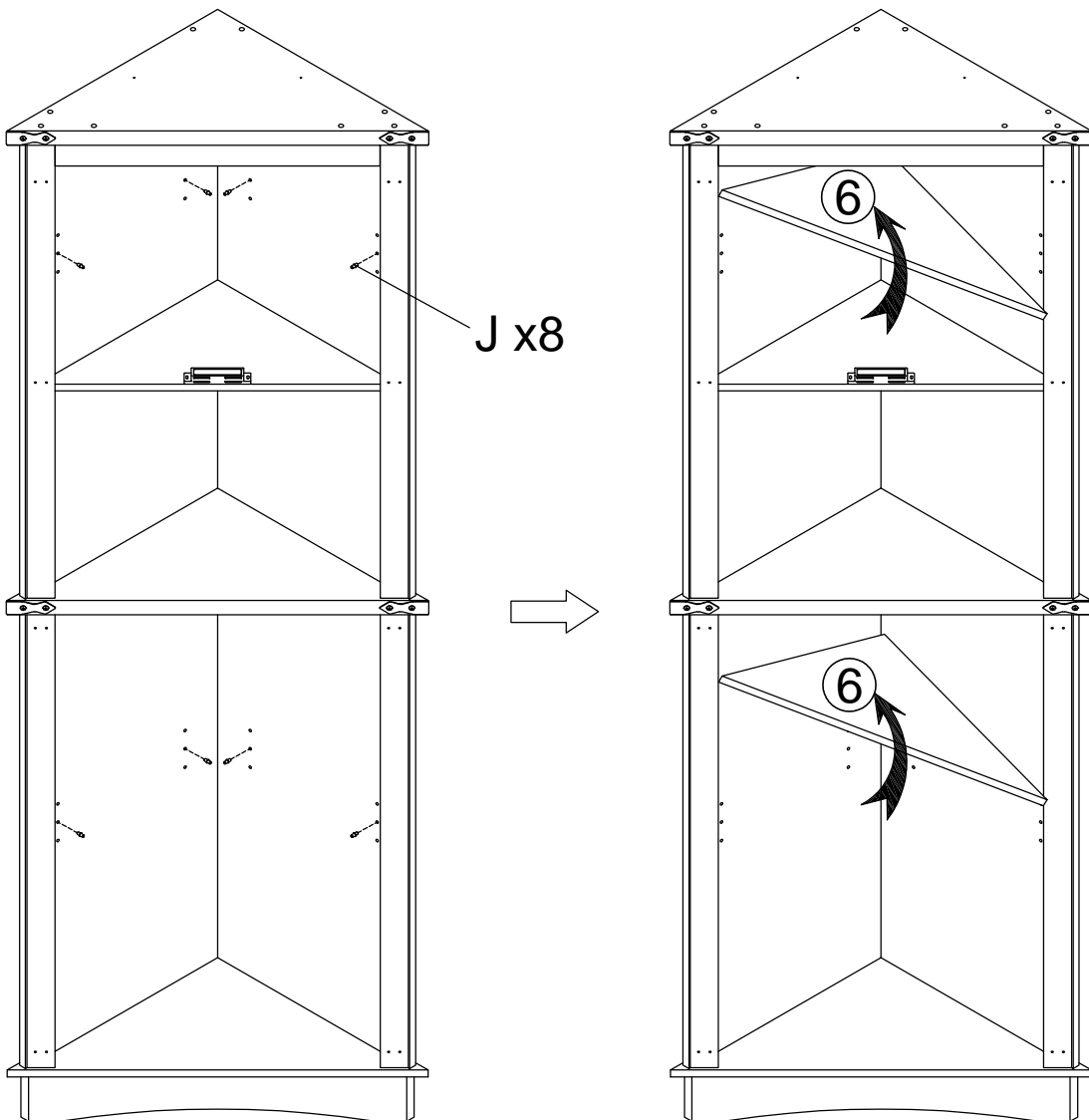


9

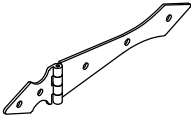
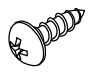




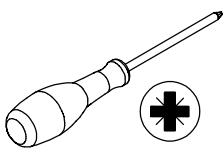
J x 8

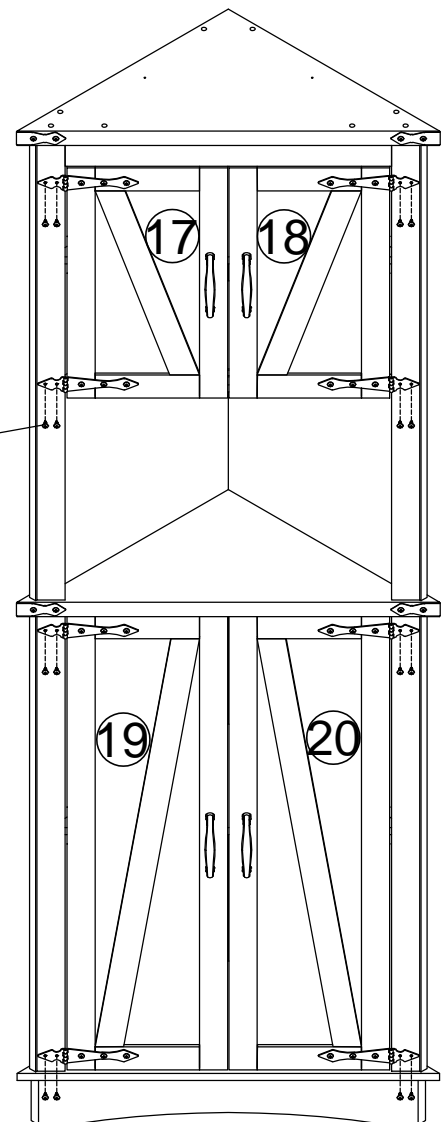
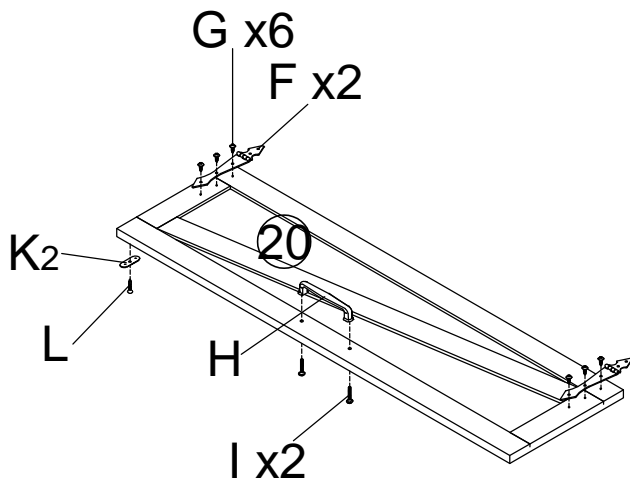
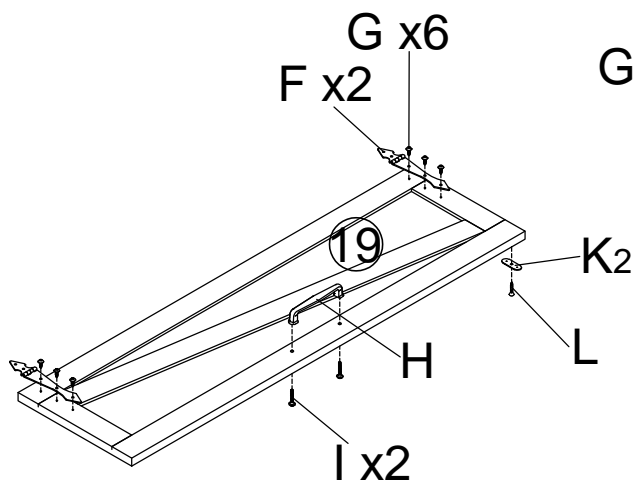
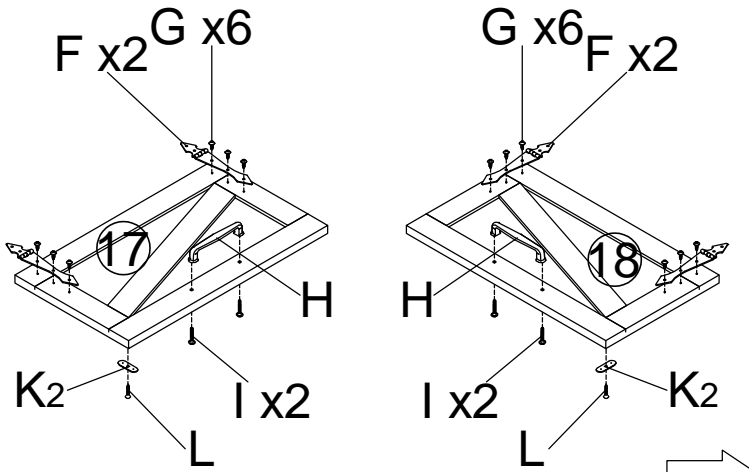


Ø5 x 15



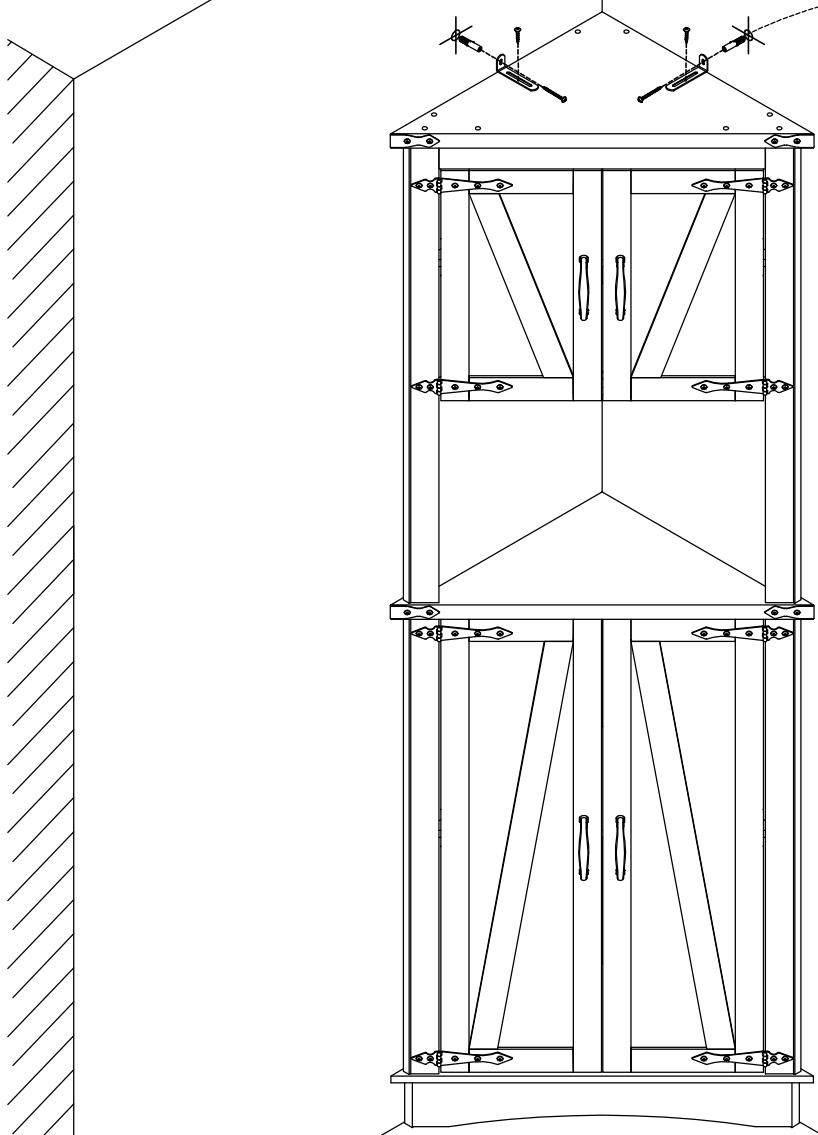
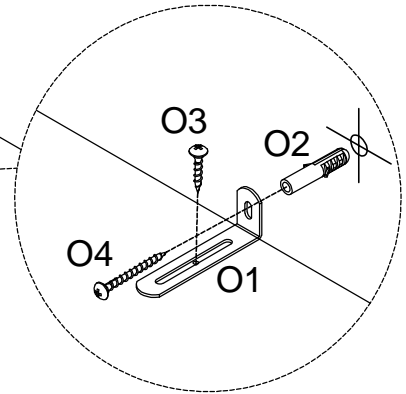
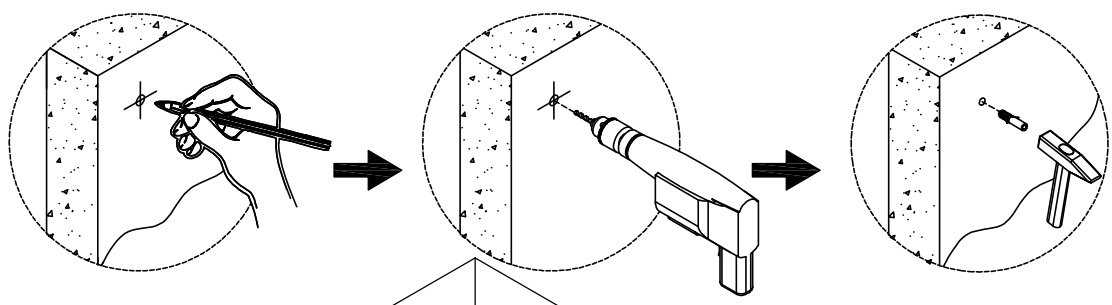
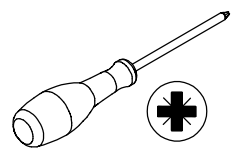
10

F x 8 	G x 40 	H x 4 	I x 8 M4 x 18 	K x 4 K2 	L x 4 Ø3 x 12 	
--	---	--	---	--	---	---



1 1

- O x 2
- O1
- O2
- O3 $\varnothing 4 \times 15$
- O4 $\varnothing 4 \times 40$



Final Assembly