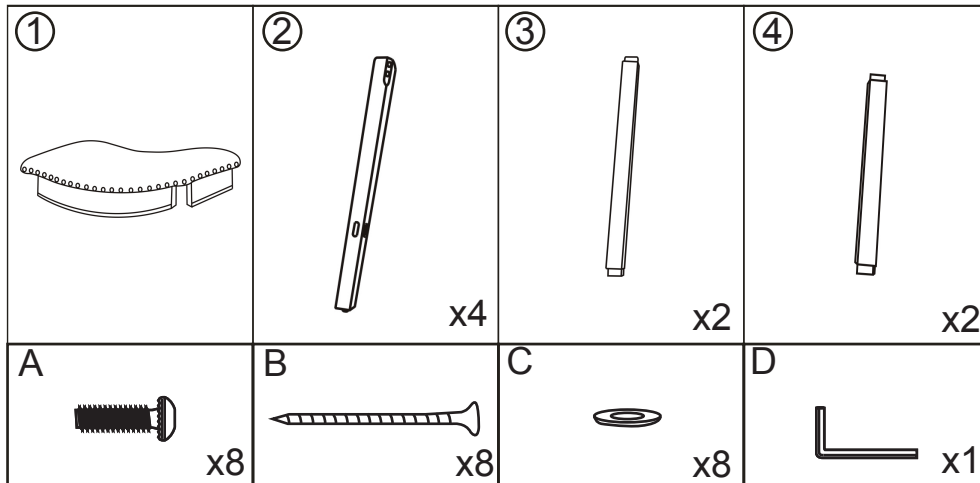
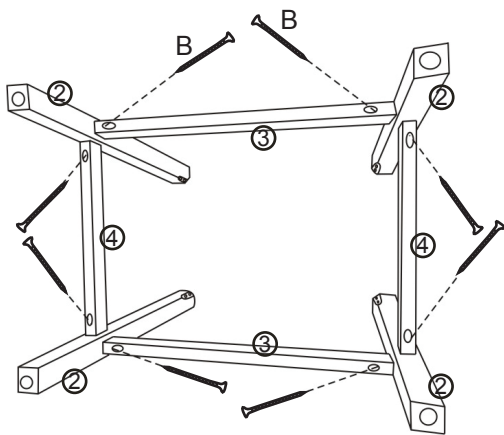


# ASSEMBLY INSTRUCTIONS

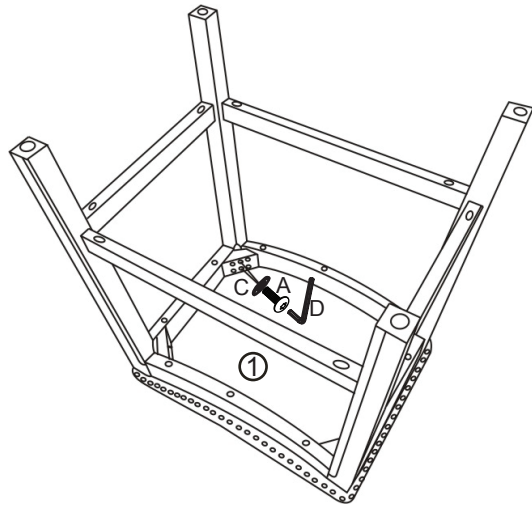
TURN TOP UPSIDE DOWN ON A SOFT WORKING SURFACE



## STEP 1



## STEP 2



## STEP 3

