

After-sales Service

Dear customer,

We're excited that you've chosen our product to be a part of your home. We care deeply about your experience and want to make sure you have all the help you need.

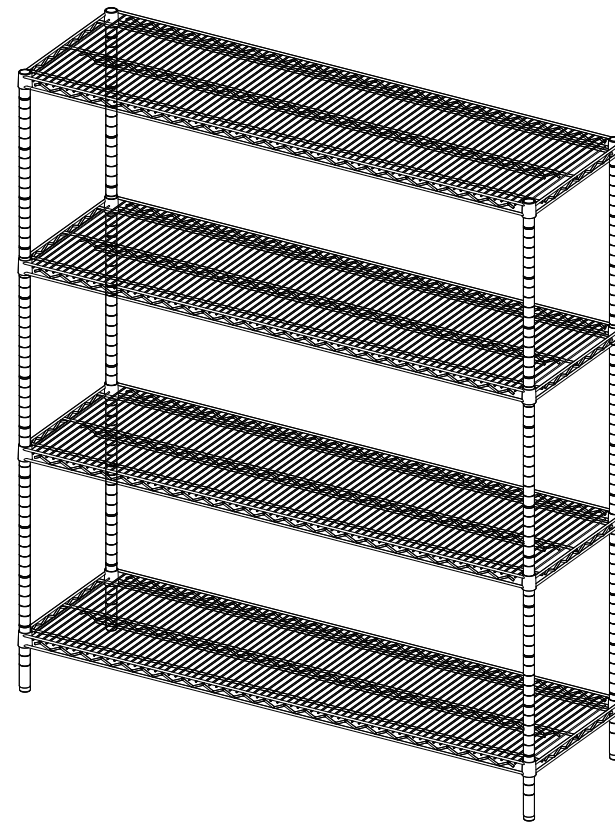
If you have any questions while assembling your new product, don't hesitate to contact our dedicated customer support team through the original purchase platform.

Creating your ideal space is important, and we're committed to helping you every step of the way.

Thank you for choosing us, where comfort and style meet practicality.

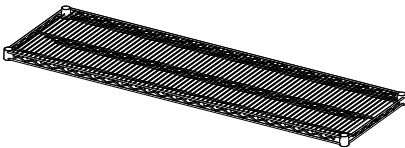
Sincerely,
Customer Service Manager

ASSEMBLY INSTRUCTION




PART LIST:

A



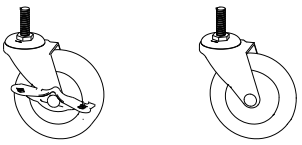
Steel Shelf x4

B Pre-installed on part E



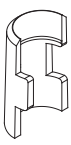
Adjustable Feet x4

C



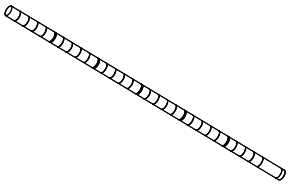
Lockable Wheels x2 Wheels x2

D



Clips x32

E



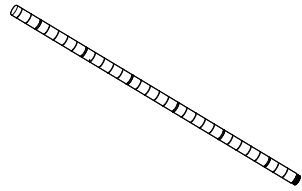
Lower Pole x4

F



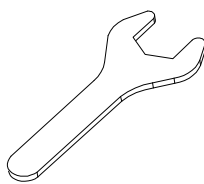
Anti-Tip Device Kit x2

G



Upper Pole x4

F



Wrench x1

HOW TO INSTALL



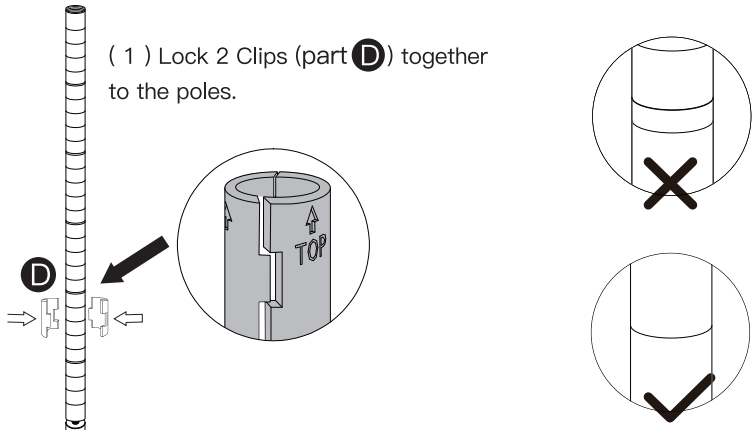
NOTICE

Attention: For your safety, we recommend two or more people to install it together.

Step 1

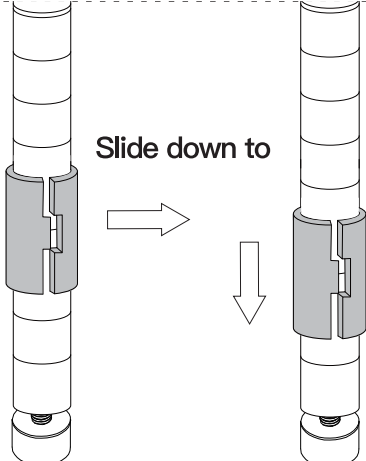
Learn to install Clips on poles.

(1) Lock 2 Clips (part **D**) together to the poles.



NOTICE: DO NOT lock the clips on double groove.

Slide down to



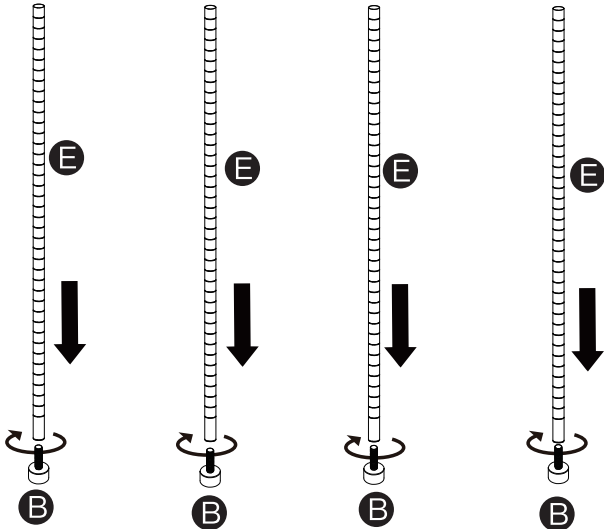
(2) Then slide them down to the height of Steel Shelves should be. (Once you hear the "ting" sound, it's perfectly locked)

NOTICE: Every Clip (Part **D) installing in same step must be at the same height.**

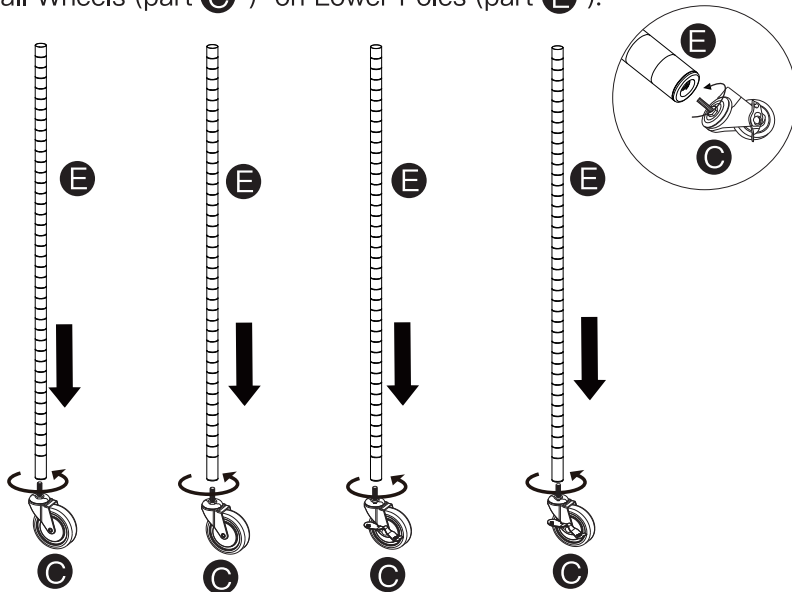
Note:

If you want to install part **C** on part **E**, please follow the steps below to install.

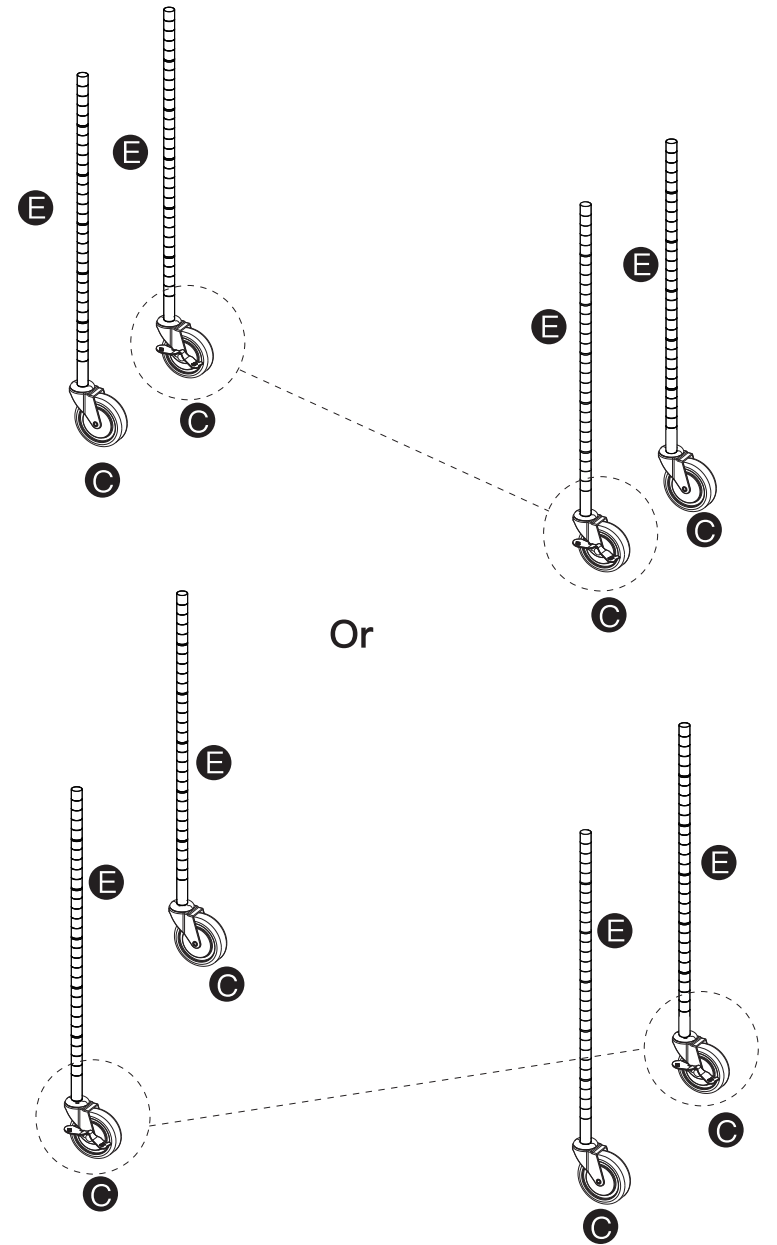
(1) Twist off pre-installed part **B** from part **E** before installing part **C**.



(2) Install Wheels (part **C**) on Lower Poles (part **E**).



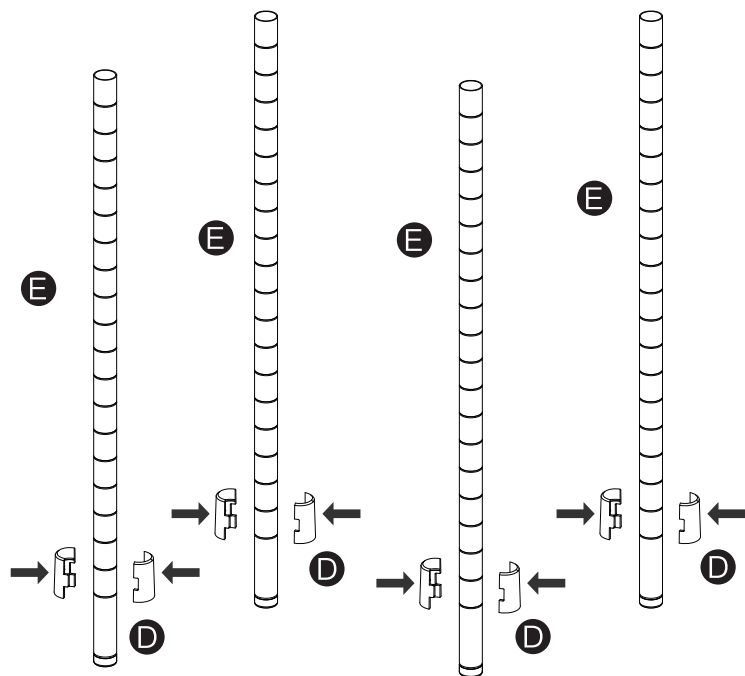
Notice: Please install the Lockable Wheels diagonally.



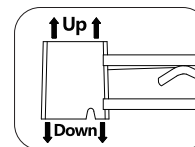
Step 2 Install part **A** onto Lower Poles (part **E**).

(1) Lock Clips (part **D**) as shown below.

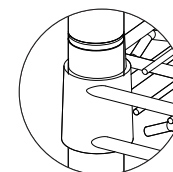
NOTICE:
Please install the clips as lower as possible to ensure the shelf is closer to the ground for better stability.



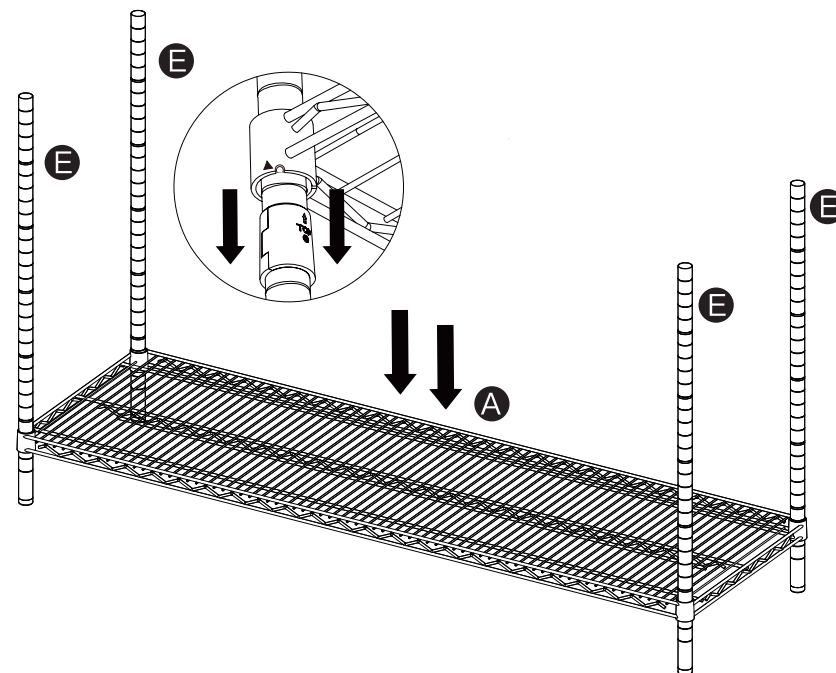
(2) Install Steel Shelf (part **A**) onto the Clip Groups.



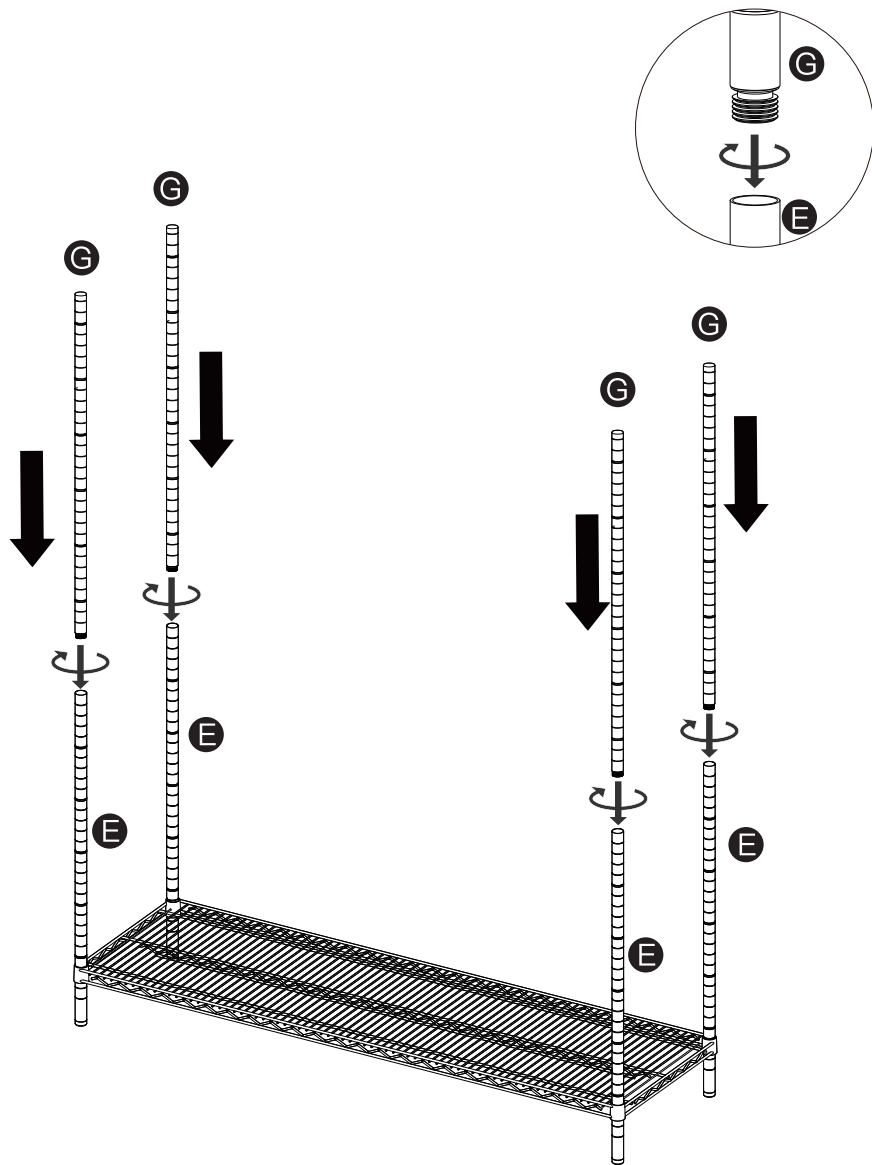
Keep the gap in collar face downwards.



Make sure the steel shelf is fully knocked as shown.

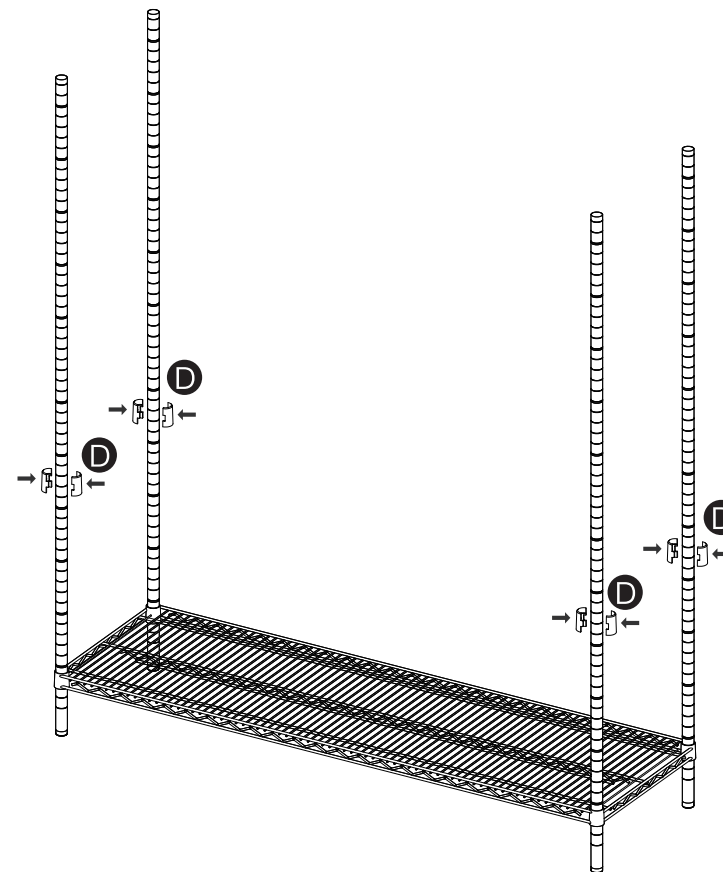


Step 3 Connect 4 Upper Poles (part **G**) on 4 Lower Poles (part **E**).

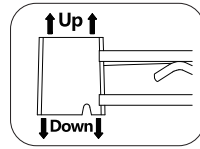
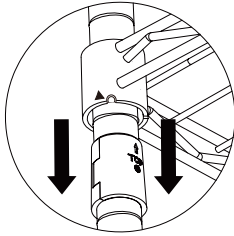
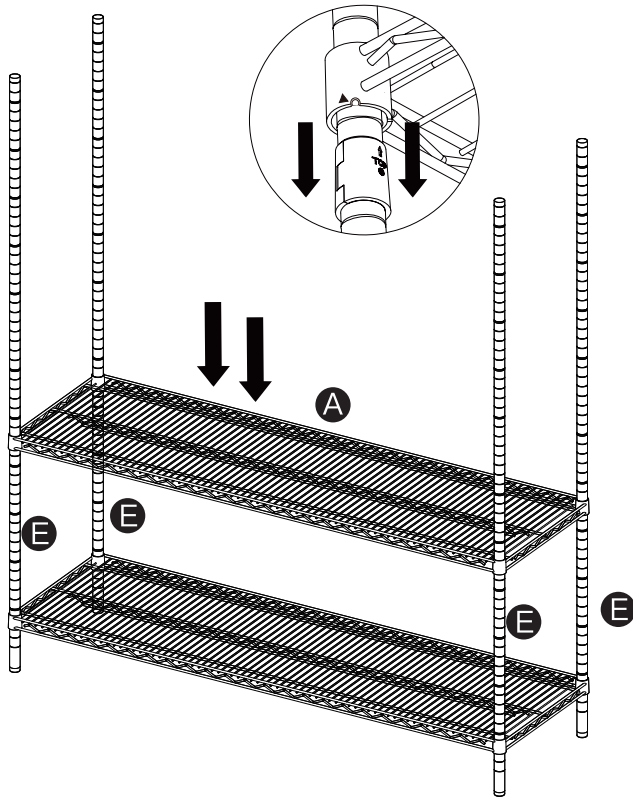


Step 4 Install part **A** onto Lower Poles (part **E**).

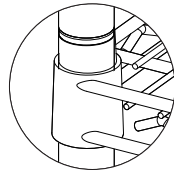
(1) Lock Clips (part **D**) as shown below.



(2) Install the second Steel Shelf (part **A**) on the rack.



Keep the gap in collar face downwards.



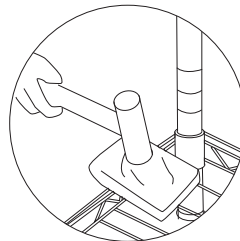
Make sure the steel shelf is fully knocked as shown.

REMARK :

After each shelf is assembled, please put a piece of cloth on shelf and hit it several times with a tool (eg. A rubber mallet) to ensure more stability.

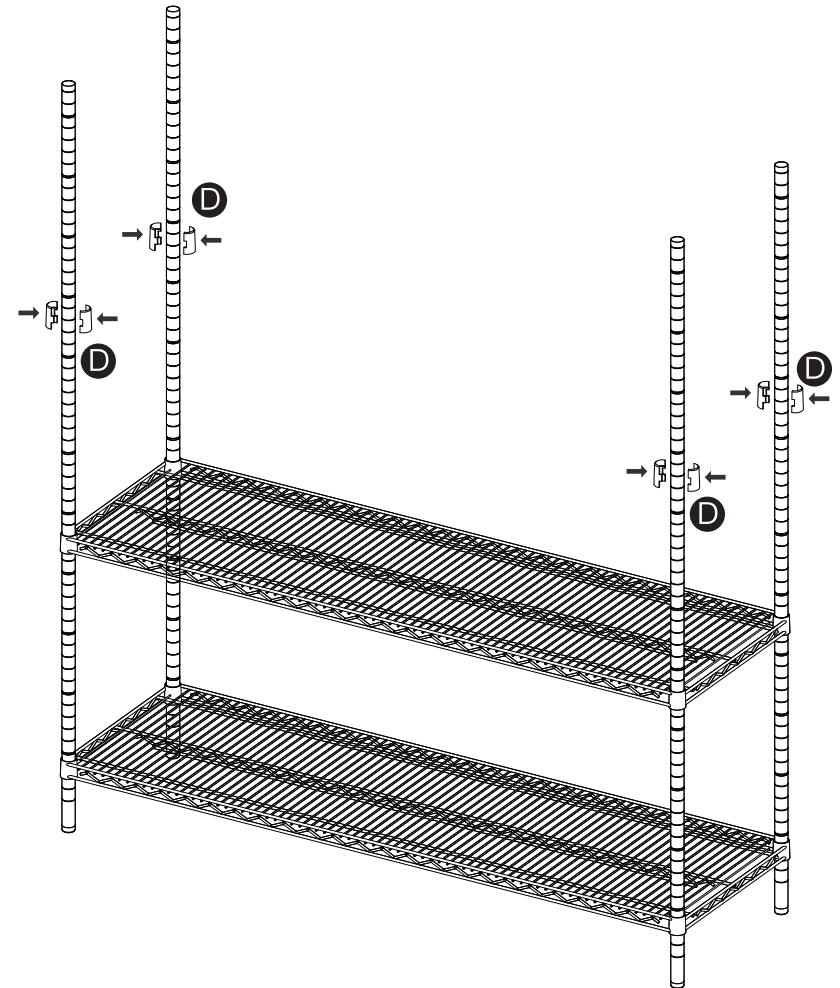
Note:

The rubble mallet is not included on the package.

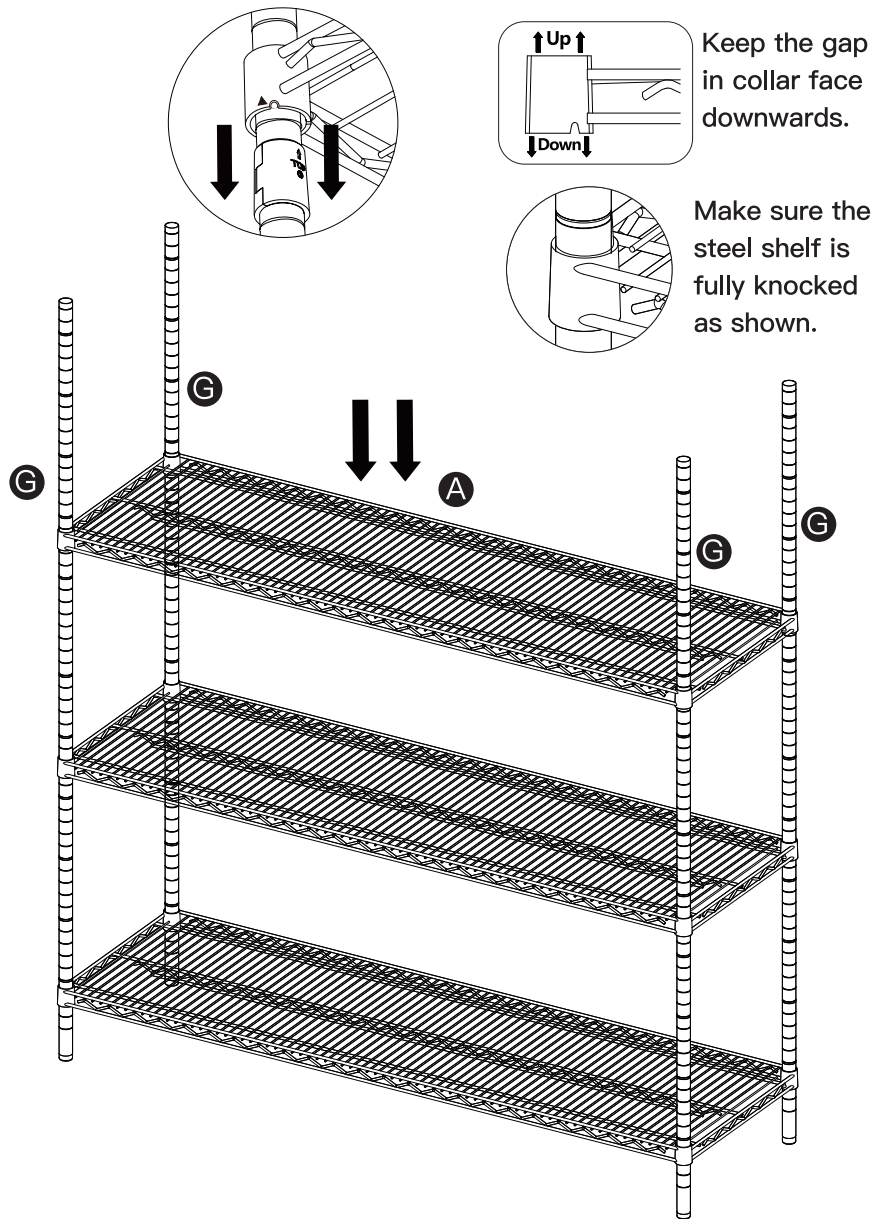


Step 5 Install part **A** onto Upper Poles (part **G**).

(1) Lock Clips (part **D**) as shown below.

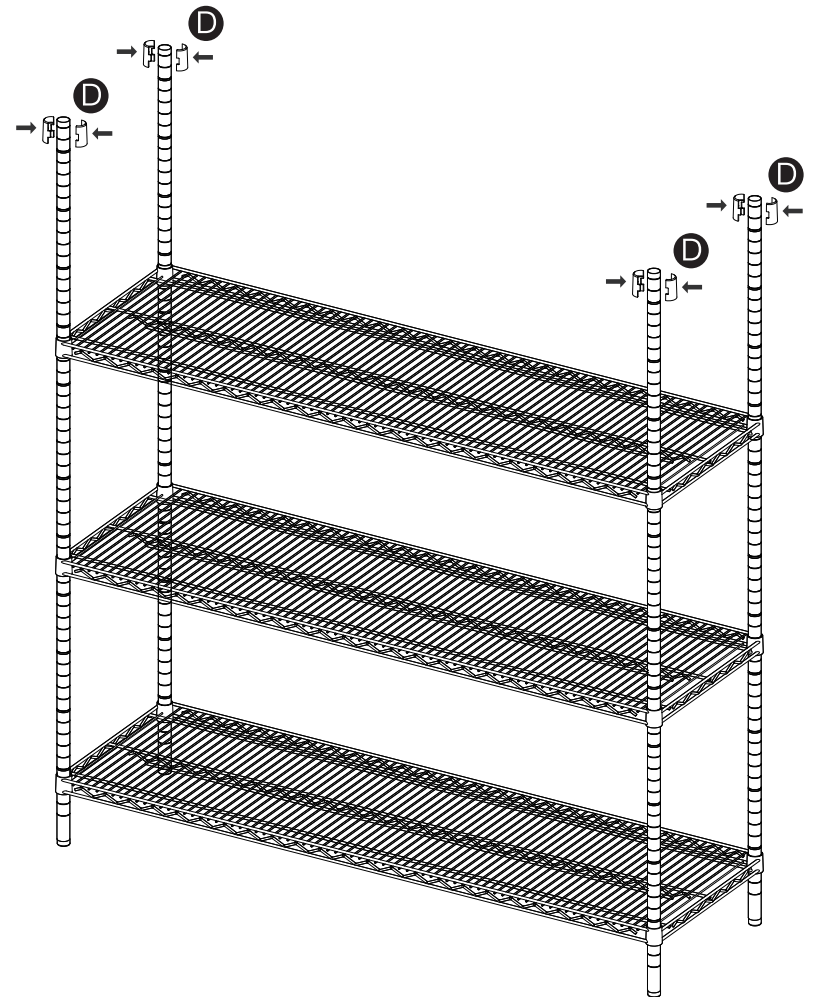


(2) Install the third Steel Shelf (part **A**) on the rack.

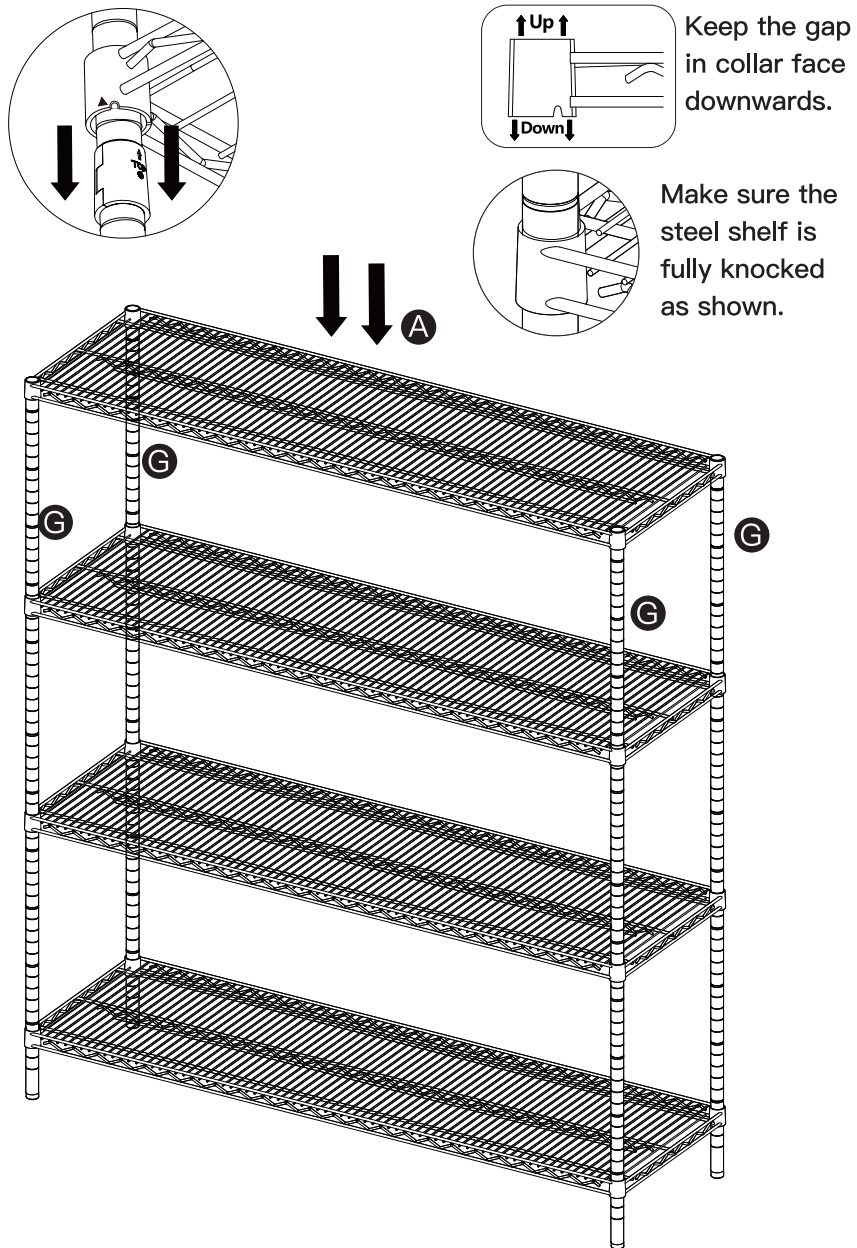


Step 6 Install part **A** onto Upper Poles (part **G**) to finish.

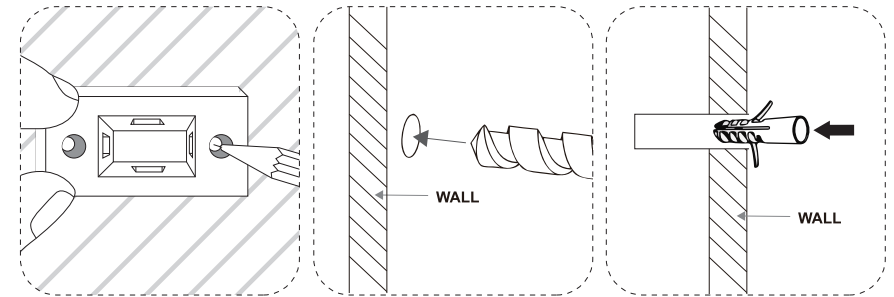
(1) Lock Clips (part **D**) as shown below.



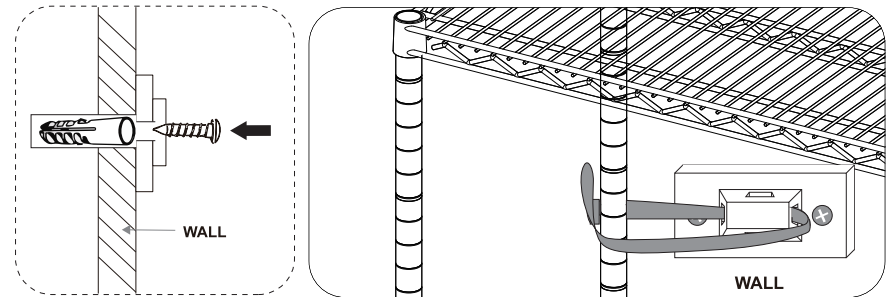
(2) Install the top Steel Shelf (part **A**) on the rack to finish.



Step 7 (Optional) Install (part **F**) to keep the rack more stable.



- (1) Mark the location of bolt hole.
- (2) Drill holes at marked location.
- (3) Press the protective bolts in the wall.



- (4) Fix the safety lock on the wall with bolts.
- (5) Get the safety belts cross the lock and shelves, then get fastened.