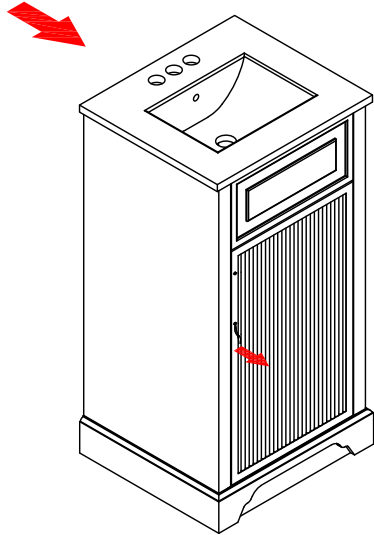


# Install Handles

TUL18119W

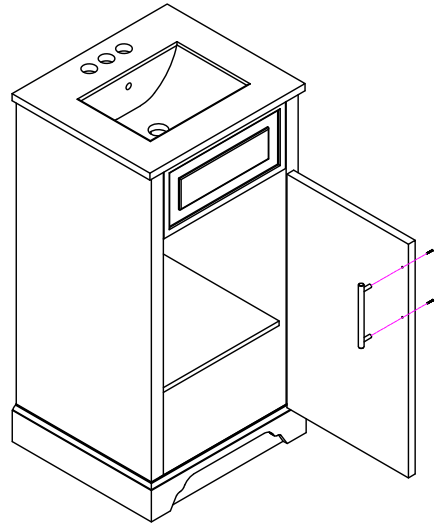
STEP 1



Please first use the rope on the screw to open the door, or push down the door from the back panel hole to open it.

STEP 2

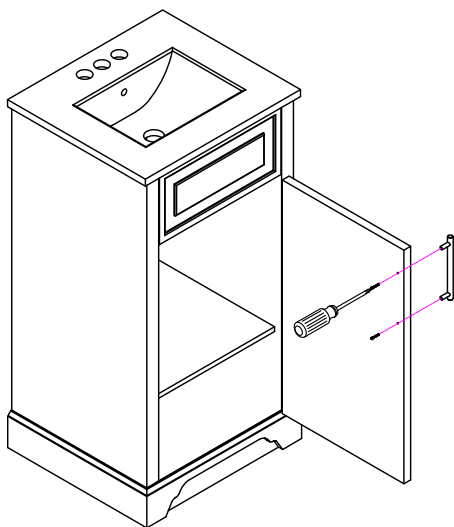
Screw Driver



UNSCREW

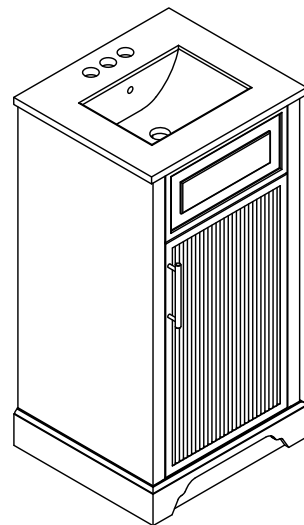
STEP 3

Screw Driver



INSTALL HANDLES

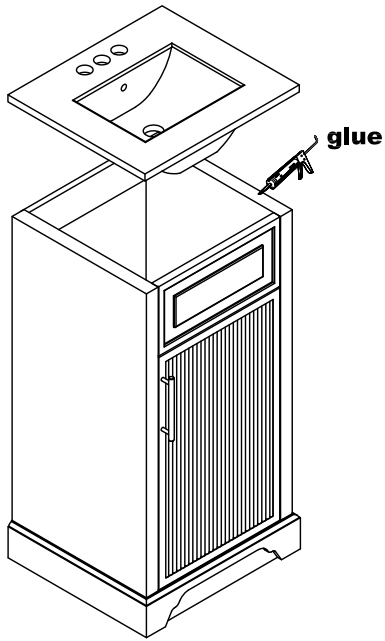
STEP 4



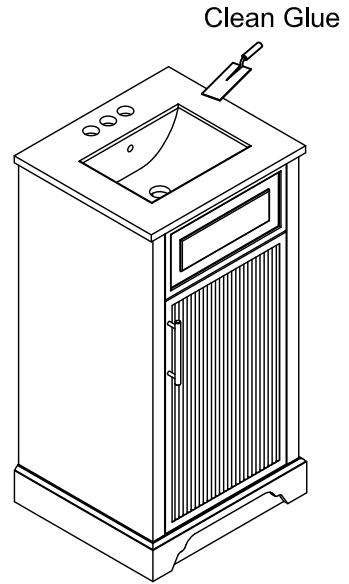
# Install Basin

TUL18119W

STEP 1



STEP 2



STEP3

