



# NIGHTSTAND WITH TWO DRAWERS



USER MANUAL





# Contents

## TOPIC

## PAGE

---

<b>01</b>	<b>SAFETY INSTRUCTIONS</b>	<b>01-01</b>
	1-1 Thank You For Choosing Our Product	01
	1-2 Precautions	01

---

<b>02</b>	<b>INSTALLING MODULES</b>	<b>02-22</b>
	2-1 Disassembly Diagram	02
	2-2 Parts List	03-06
	2-3 Assembly Instructions	07-22

---

<b>03</b>	<b>CUSTOMER SERVICE</b>	<b>23</b>
	3-1 30-Day Return Policy	23
	3-2 1-Year Warranty	23
	3-3 Quick Response Within 24 Hours	23

---

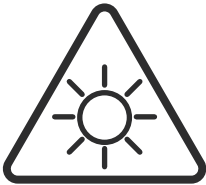
<b>04</b>	<b>PROBLEMS YOU MAY ENCOUNTER</b>	<b>24</b>
	4-1 Problems You May Encounter	24

# Safety Instructions

## Thank You For Choosing Our Product

Before assembly, please read this USER MANUAL first, and check according to Parts List to make sure all parts are included. Feel free to contact us if you have any concerns or questions about your product, we are always ready to help. Your satisfaction is our first priority!

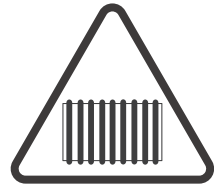
## Precautions



- Avoid long-term direct sunlight exposure.



- Keep away from sharp objects.



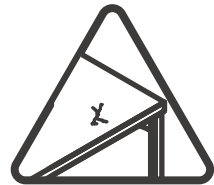
- Keep away from heat.



- Keep infants/children away from assembly parts to avoid choking and suffocation.

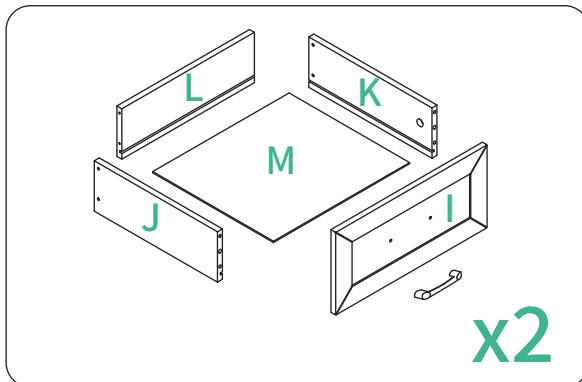
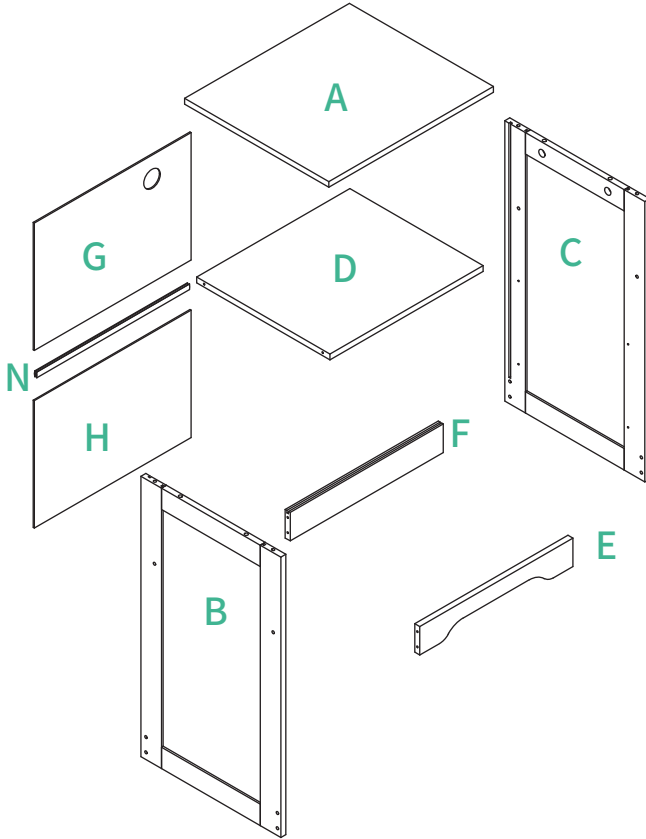


- Keep away from corrosive substances.



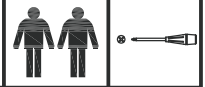
- Pay attention to avoid over-tightening fasteners, or they may induce cracking within the board.

# Disassembly Diagram



# Parts List

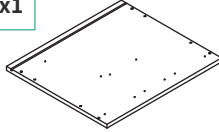
For ease and safety, we recommend two people for assembly.



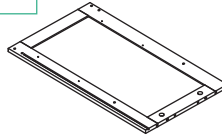
# 1PC

**A**

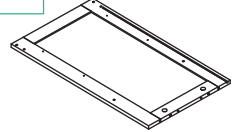
x1

**B**

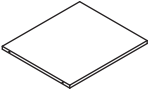
x1

**C**

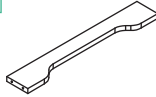
x1

**D**

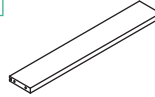
x1

**E**

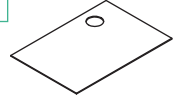
x1

**F**

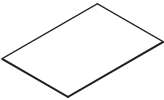
x1

**G**

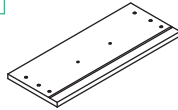
x1

**H**

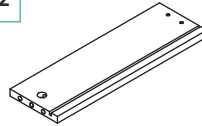
x1

**I**

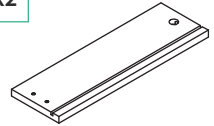
x2

**J**

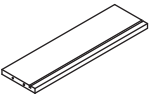
x2

**K**

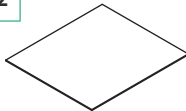
x2

**L**

x2

**M**

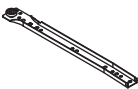
x2

**N**

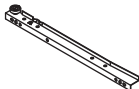
x1

**CL**

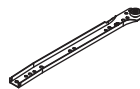
x2

**DL**

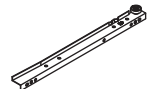
x2

**CR**

x2

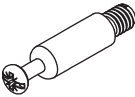
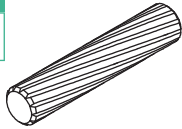

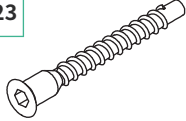
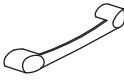
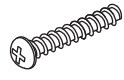
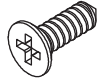
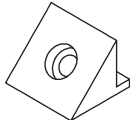

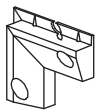
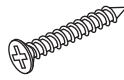
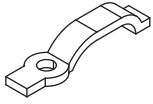
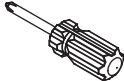
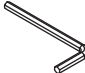
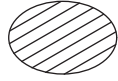
**DR**

x2



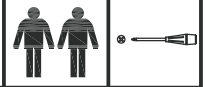
**Note: Disassemble bundled rails and classify by code.**

# Parts List

<p>① x9</p>  <p>1 Spare</p>	<p>② x14</p>  <p>Φ6X30 2 Spares</p>	<p>③ x9</p>  <p>1 Spare</p>	<p>④ x23</p>  <p>M5x40 3 Spares</p>
<p>⑤ x2</p> 	<p>⑥ x5</p>  <p>M3.5X16.5 1 Spare</p>	<p>⑦ x25</p>  <p>M3.5X12 3 Spares</p>	<p>⑧ x5</p>  <p>1 Spare</p>
<p>⑨ x1</p> 	<p>⑩ x2</p> 	<p>⑪ x9</p>  <p>M3X20 1 Spare</p>	<p>⑫ x2</p> 
<p>⑬ x1</p> 	<p>⑭ x2</p>  <p>1 Spare</p>	<p>⑮ x23</p>  <p>3 Spares</p>	

# Parts List

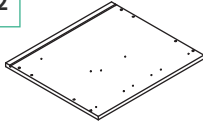
For ease and safety, we recommend two people for assembly.



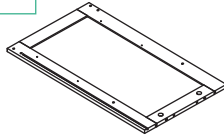
## 2PC

**A**

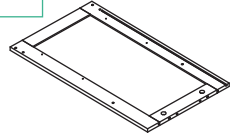
x2

**B**

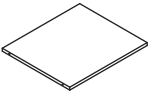
x2

**C**

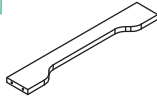
x2

**D**

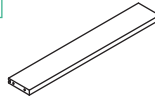
x2

**E**

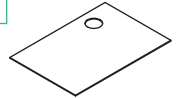
x2

**F**

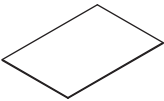
x2

**G**

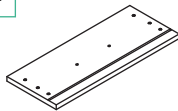
x2

**H**

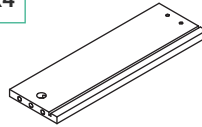
x2

**I**

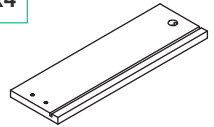
x4

**J**

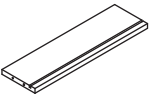
x4

**K**

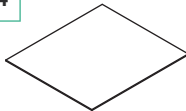
x4

**L**

x4

**M**

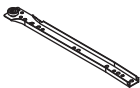
x4

**N**

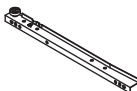
x2

**CL**

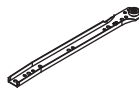
x4

**DL**

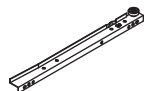
x4

**CR**

x4

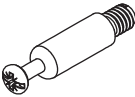
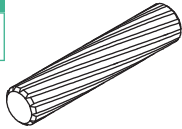

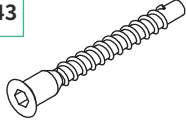
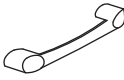
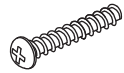
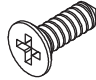
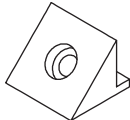

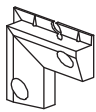
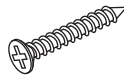
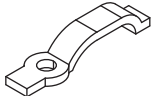
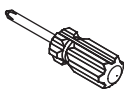
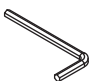

**DR**

x4



**Note: Disassemble bundled rails and classify by code.**

# Parts List

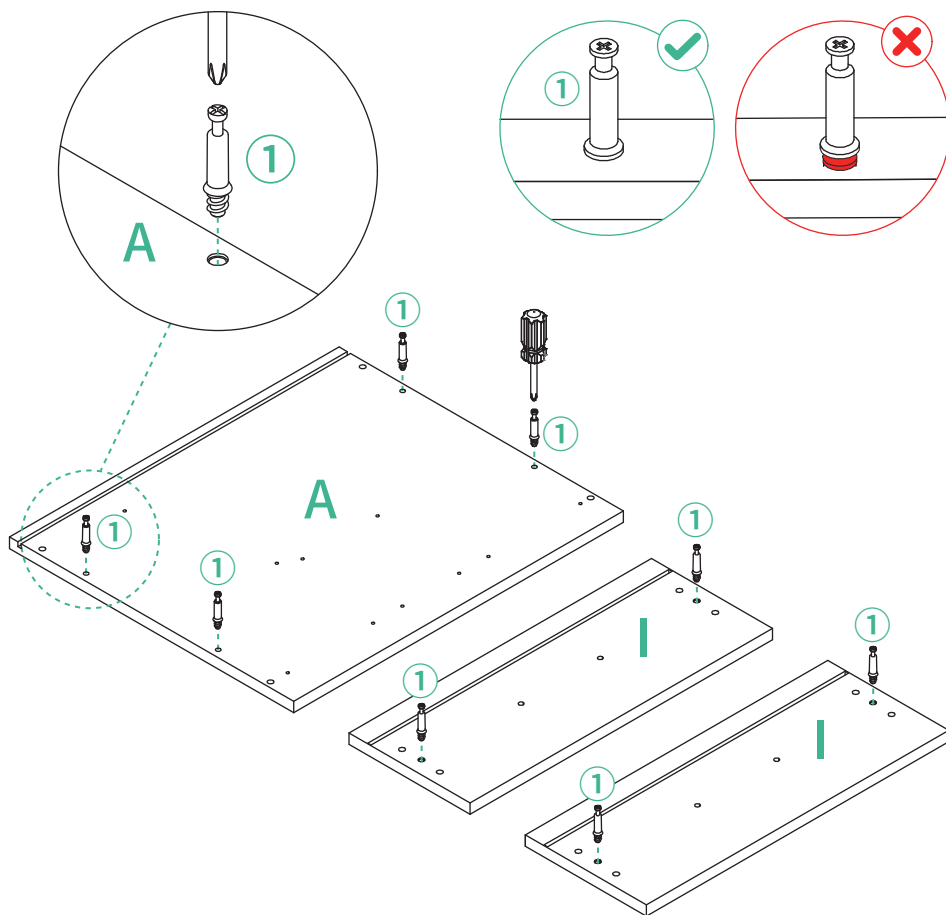
<p>① x18</p>  <p>2 Spares</p>	<p>② x27</p>  <p><b>Φ6X30</b> 3 Spares</p>	<p>③ x18</p>  <p>2 Spares</p>	<p>④ x43</p>  <p><b>M5x40</b> 3 Spares</p>
<p>⑤ x4</p> 	<p>⑥ x9</p>  <p><b>M3.5X16.5</b> 1 Spare</p>	<p>⑦ x47</p>  <p><b>M3.5X12</b> 3 Spares</p>	<p>⑧ x9</p>  <p>1 Spare</p>
<p>⑨ x2</p> 	<p>⑩ x4</p> 	<p>⑪ x18</p>  <p><b>M3X20</b> 2 Spares</p>	<p>⑫ x4</p> 
<p>⑬ x1</p> 	<p>⑭ x2</p>  <p>1 Spare</p>	<p>⑮ x43</p>  <p>3 Spares</p>	

# Assembly Instructions

If you purchased a 2-pack, please refer to the following steps and repeat the operation.

**1**

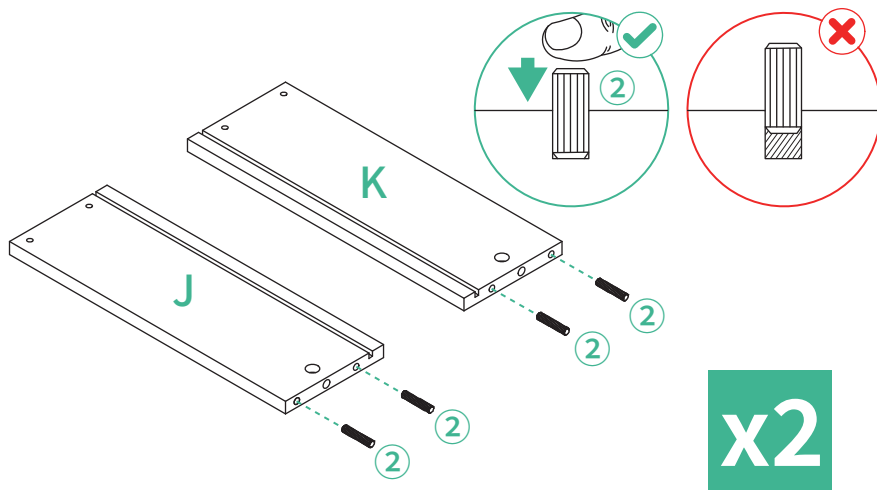
Before assembling the product, please pre-assemble accessories ①. Please install each accessory correctly as shown in the diagram.



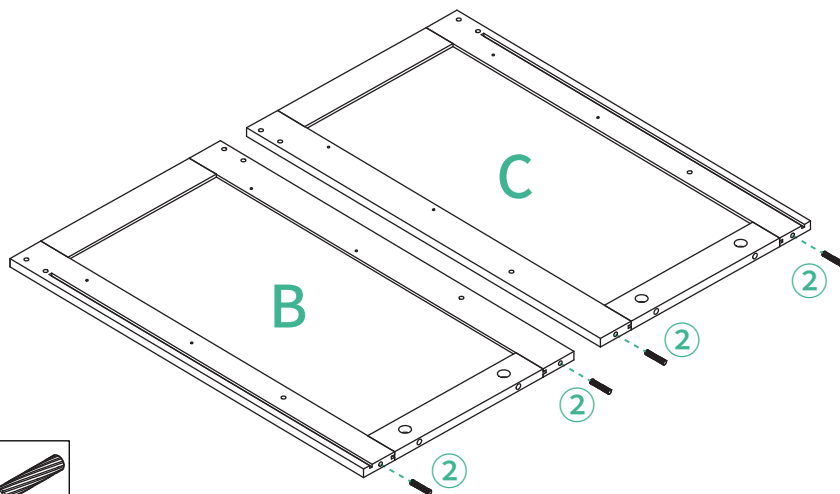
# Assembly Instructions

2

Before assembling the product, please pre-assemble accessories ②. Please install each accessory correctly as shown in the diagram.



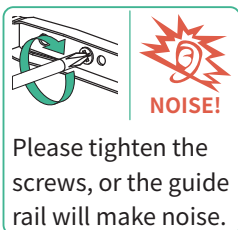
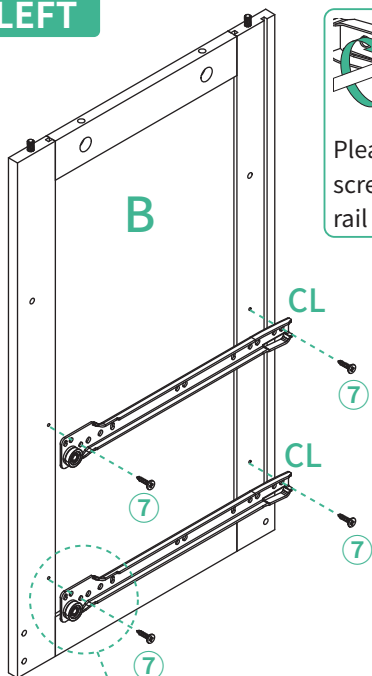
x2



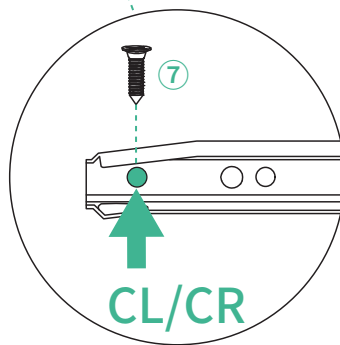
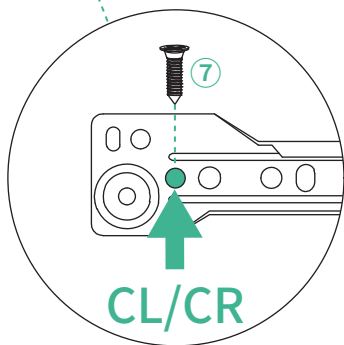
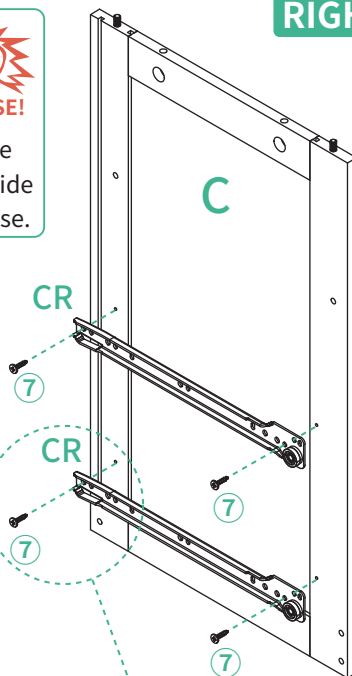
# Assembly Instructions

**3** Install the drawer slides CL on board B and CR on C.  
Please pay attention to choosing the correct screw holes

**LEFT**



**RIGHT**



CL x2		CR x2		7 x8		13 x1	
----------	--	----------	--	---------	--	----------	--

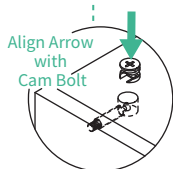
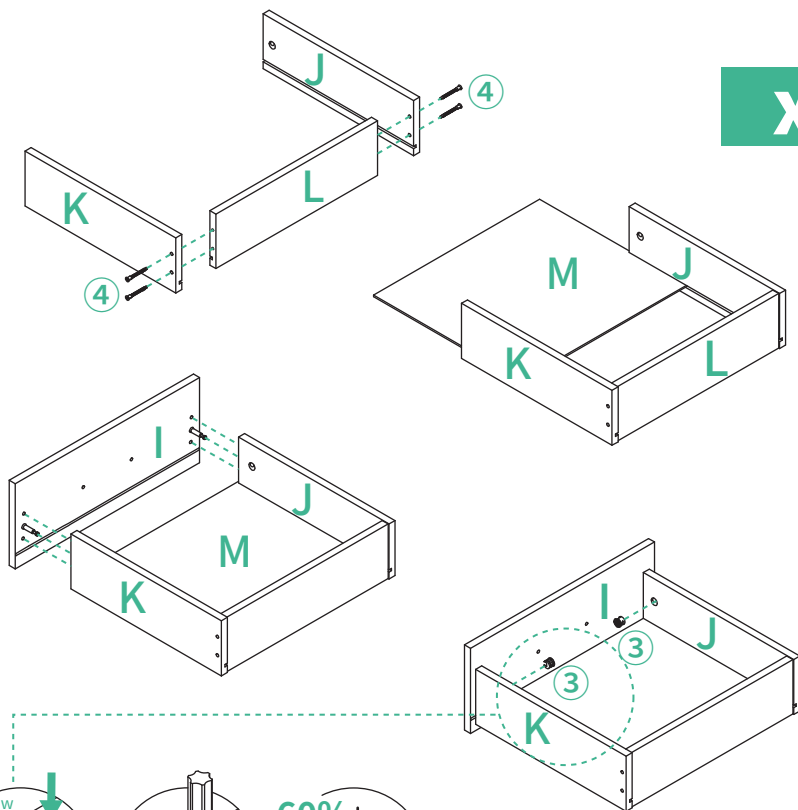
# Assembly Instructions

**4**

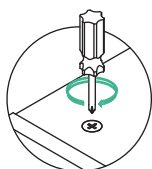
Install the drawer.

Please pay attention to tightening the Cam Lock ③.

**x2**



Press The Cam Lock



Tighten It Clockwise



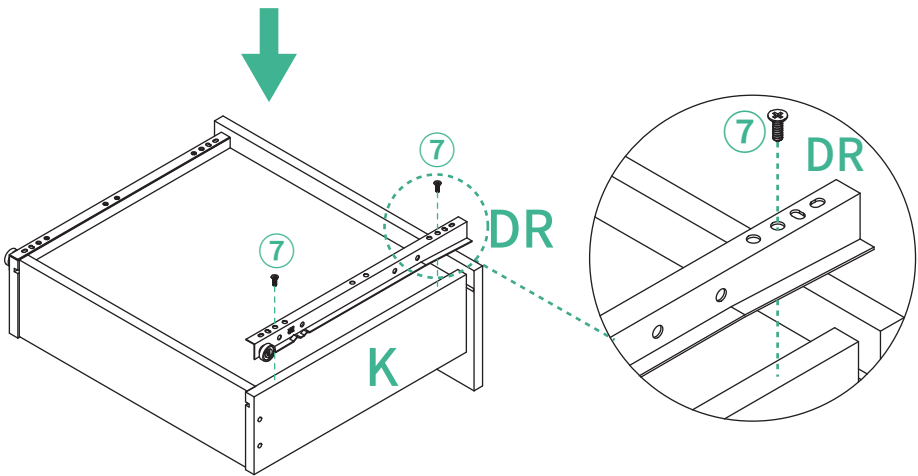
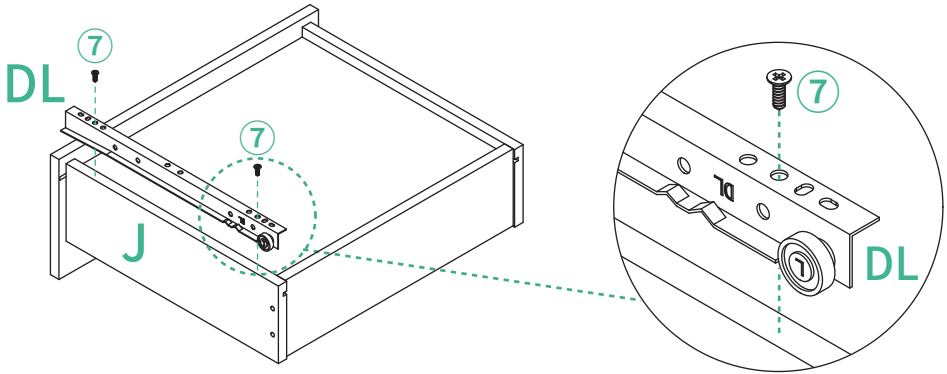
Rotate to About 60%

I x2		L x2		M x2		J x2		K x2	
③ x4		④ x8		⑬ x1		⑭ x1			

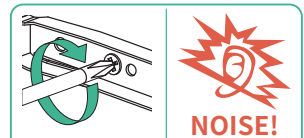
# Assembly Instructions

5

Install the drawer slides DL on board J and DR on K.  
Please pay attention to choosing the correct screw holes.



x2



Please tighten the screws, or the guide rail will make noise.

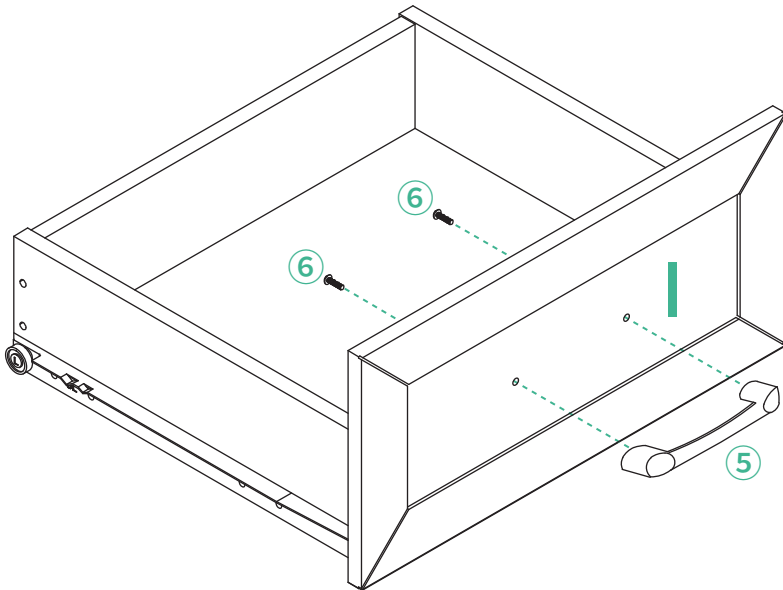
# Assembly Instructions

6

Install the drawer handle.



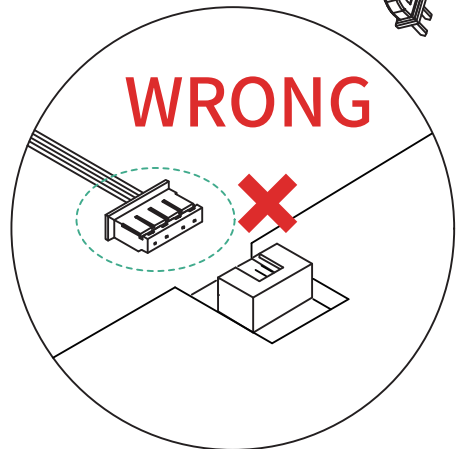
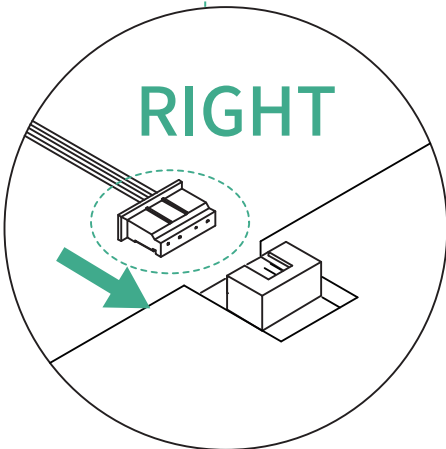
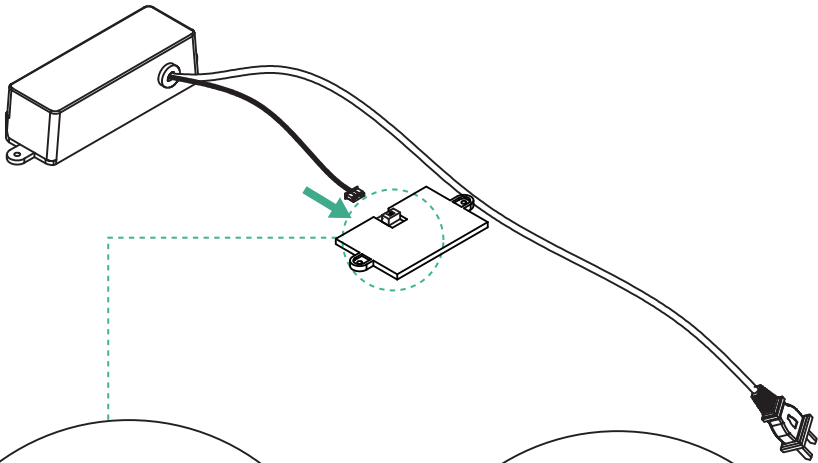
x2



# Assembly Instructions

7

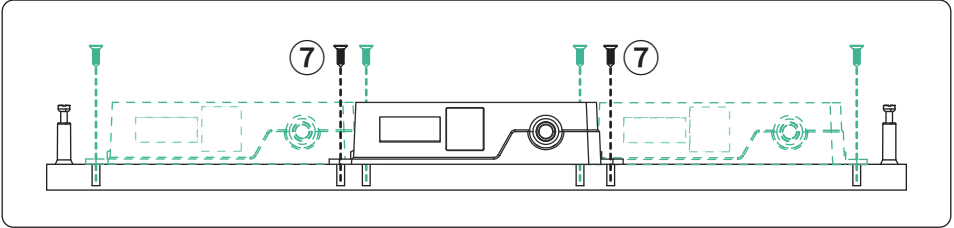
Connect the wiring end of the socket to the light board. Please pay attention to the direction of the connector, as shown in the figure below.



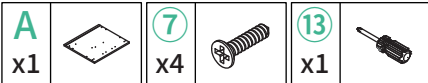
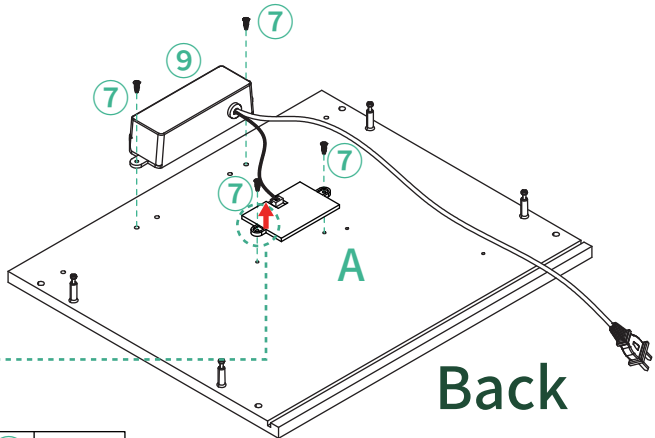
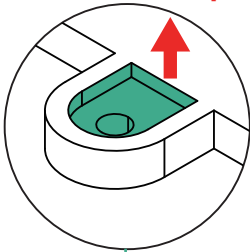
# Assembly Instructions

8

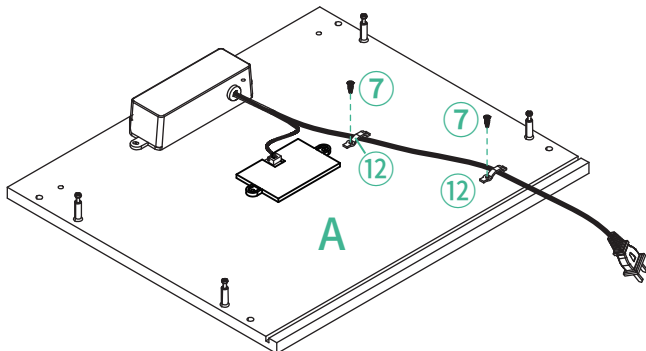
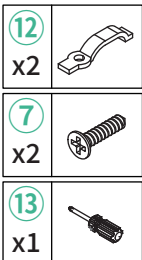
Installation of sockets can be left, right or centred according to requirements.



This side up



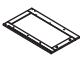



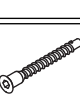

9

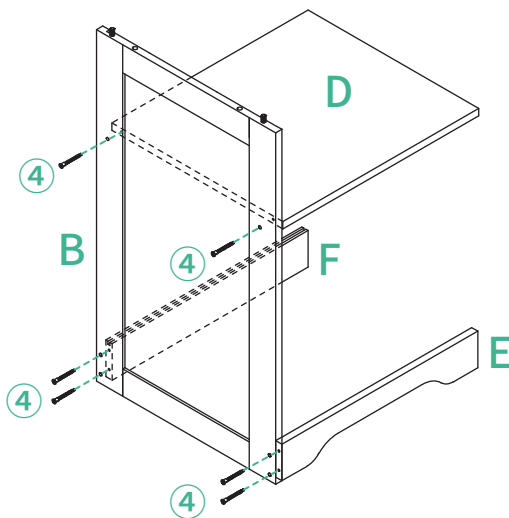


# Assembly Instructions

**10**

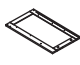
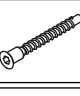

Connect boards D, E and F respectively to board B.

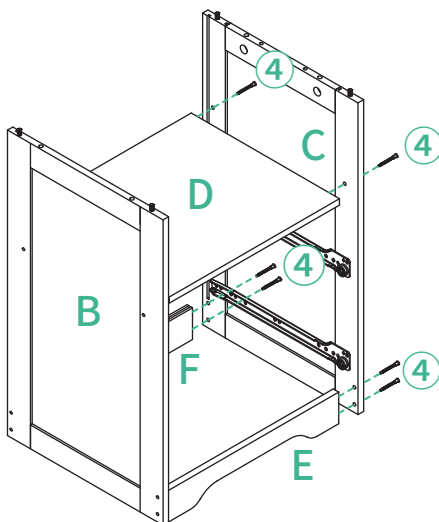
<b>B</b> x1	
<b>D</b> x1	
<b>E</b> x1	
<b>F</b> x1	
<b>4</b> x6	
<b>14</b> x1	



**11**

Install board C.

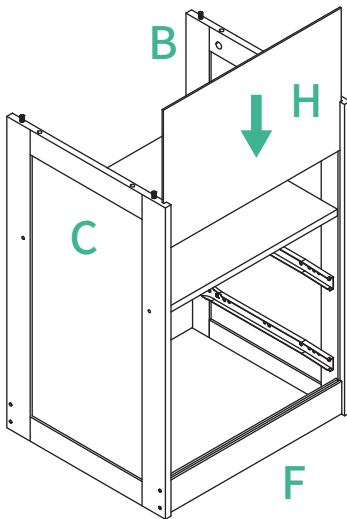
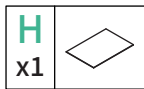
<b>C</b> x1	
<b>4</b> x6	
<b>14</b> x1	



# Assembly Instructions

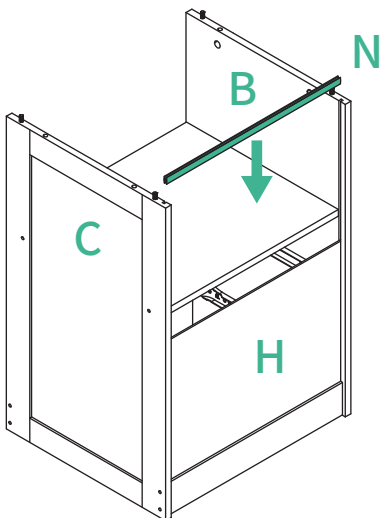
**12**

Slowly push board H down along the groove tracks on B and C to the end.



**13**

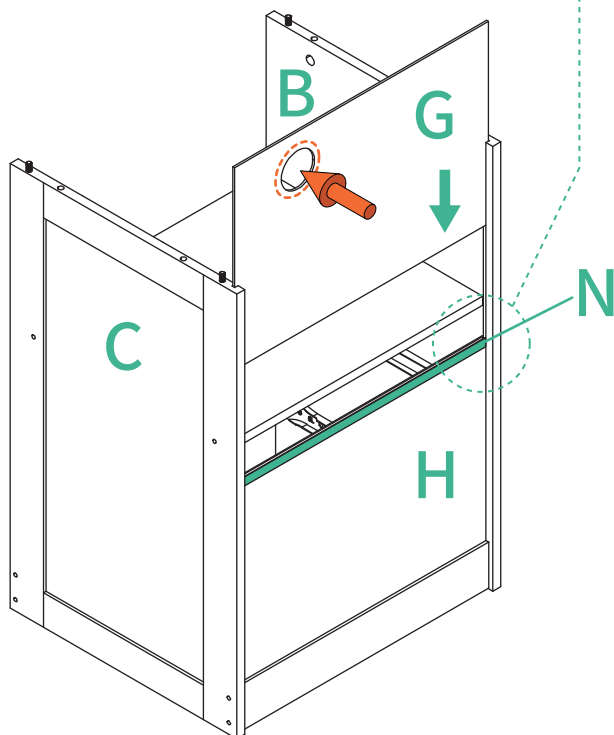
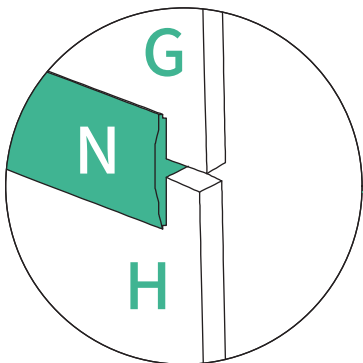
Install part N as above.



# Assembly Instructions

14

Install board G as above.  
Please note that the large round hole on board G is at the top.

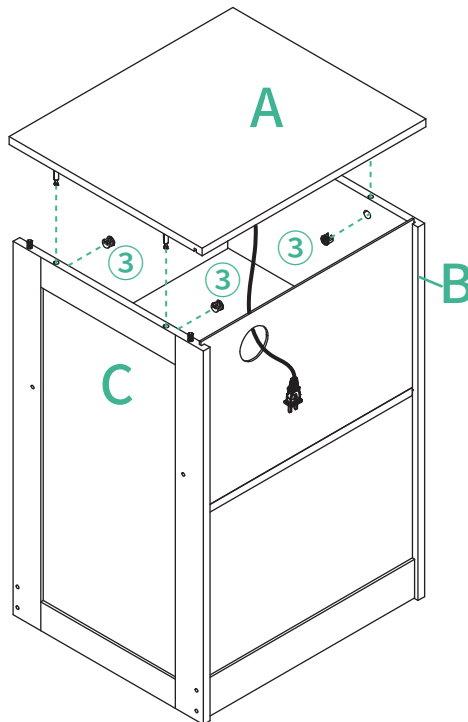
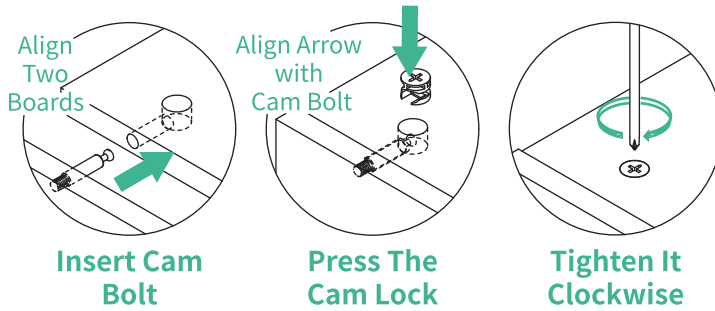


# Assembly Instructions

15

Install the board A.

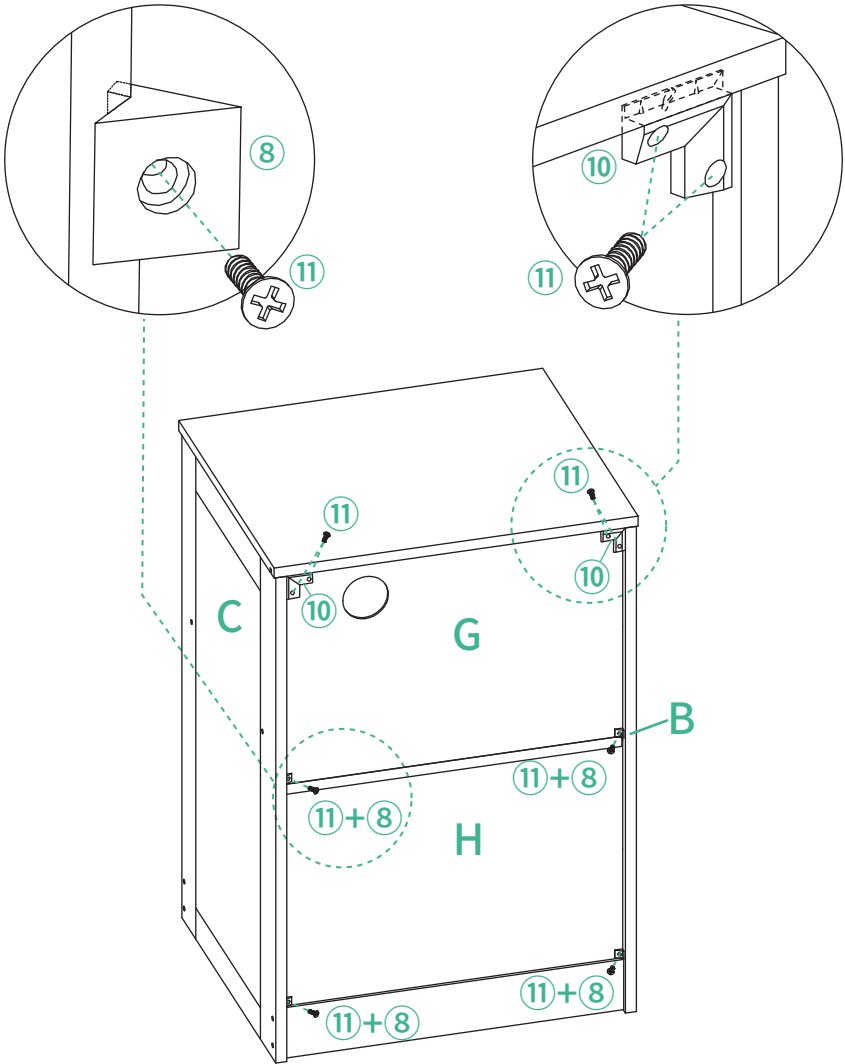
Please pay attention to tightening the Cam Lock ③.



# Assembly Instructions

16

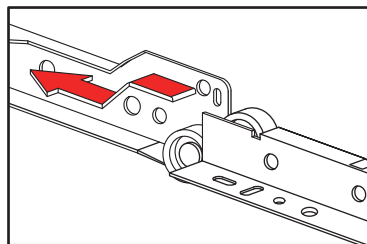
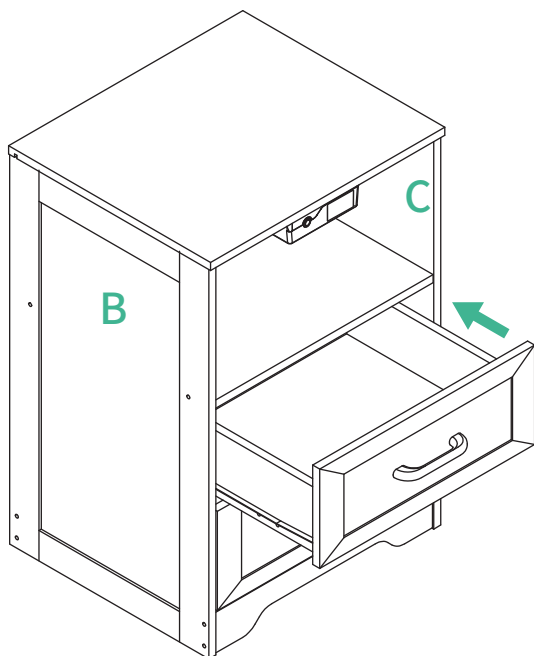
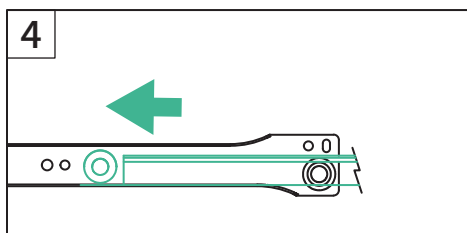
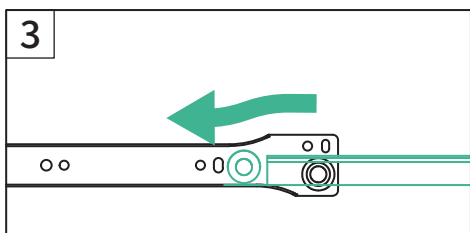
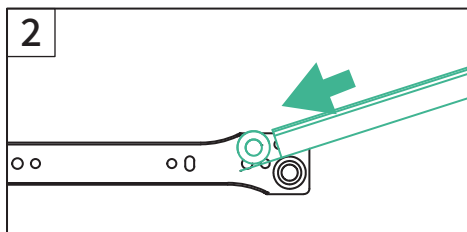
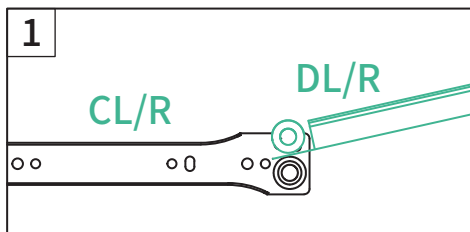
Install panel fastener.



# Assembly Instructions

17

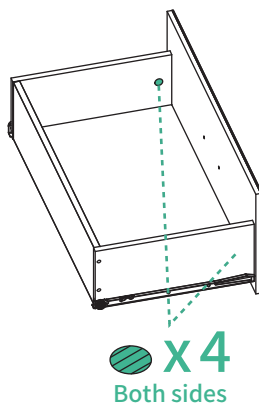
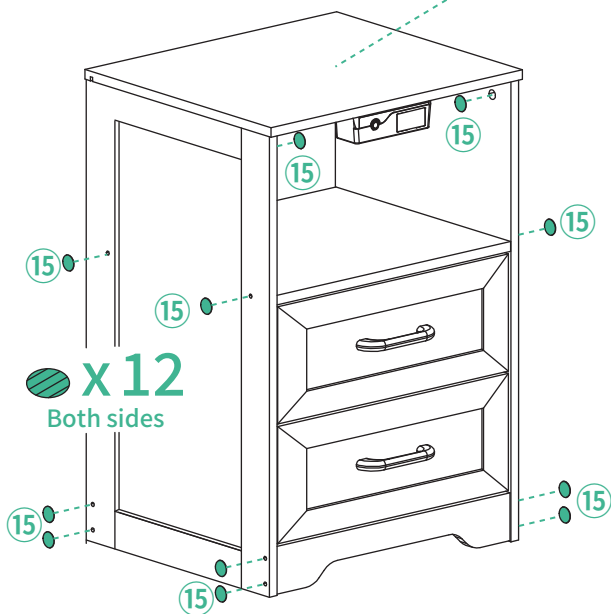
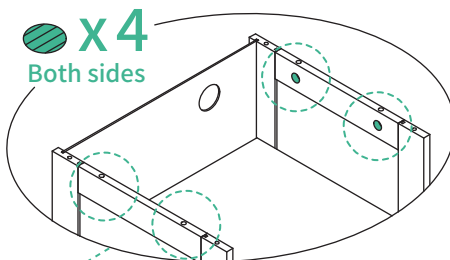
Install the drawers into the cabinet as shown in the picture.

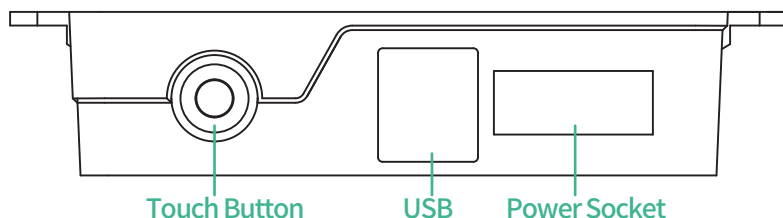


# Assembly Instructions

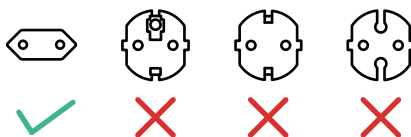
18

Cover the screw holes.





Please use the European standard C-type plug ( $\phi 4\text{mm}$ ), and do not use E/F-type plugs ( $\phi 4.8\text{mm}$ ).



## Function Description of the Light Panel:

- A single touch on the sensor key will turn the light panel on.
- A second touch will switch the light panel to a different color.
- A long press on the touch key will adjust the brightness of the light panel (from dim to bright and vice versa, with a brightness adjustment range of 10% to 100%).
- After adjusting the brightness of a color, a short touch within 5 seconds will switch to another color while maintaining the corresponding brightness.
- If there is no touch on the sensor key for 5 seconds in a lighting mode, the light panel will automatically enter memory mode. A subsequent touch will turn off the light panel; the next time it is turned on, the light panel will retain the color from before it was turned off. Disconnecting the power will erase the memory mode.



## 30 DAY Return Policy

If you're not completely satisfied with your purchase, please return the merchandise via our Official Customer Support. Unused merchandise can be refunded or exchanged within 30 days of purchase.



## 1-Year Warranty

We guarantee your product is free from defects in product material and workmanship for one (1) year starting from the date of purchase during normal use of household conditions. If your appliance fails to operate properly within our warranty period, we will arrange a new one. Replacement is free and all shipping costs are covered.



## Quick Response within 24 Hours

If you are still unable to resolve the issue you are experiencing, please contact us immediately via our support email. It doesn't matter if the product has been installed or not, our customer support team will respond within 24 hours and assist you quickly and efficiently. The most efficient way to confirm your problem to us is to attach a video, which illustrates your product issues.

# Problems You May Encounter

PART	PROBLEM	SOLUTION
Whole Product	Parts are missing, defective or having wrong parts in package.	You can contact us and we will get back to you within 24 hours. Or, you can reach us via after-sales email.
	Having issue(s) while reading the instruction or completing the assembly.	You can contact us and we will get back to you within 24 hours. Or, you can reach us via after-sales email.
	Encountering non-human caused damage during usage.	If the product is damaged due to non-human causes, please keep the product and send us photos of it. We will ascertain the cause of the product damage within 48 hours and provide you with a satisfactory solution.
Table Surface	Board Surface is broken, scratched or lack of somescrew holes.	You can contact us and we will get back to you within 24 hours. Or, you can reach us via after-sales email.
	The screw holes that on the board and the steel frame don't line up.	<ol style="list-style-type: none"> <li>1. Please tighten the screws on the board by 70%, do not tighten completely.</li> <li>2. Adjusting board and steel frame until the screw holes are lined up, then tighten all the screws.</li> </ol>
	The board is uneven or not tight that has gaps after being assembled.	<ol style="list-style-type: none"> <li>1. Loosen the screws in the uneven or gap positions; adjust until the desktops are flat and tight, and then tighten the screws.</li> <li>2. If your problem still can't be solved, please feel free to contact us.</li> </ol>
Steel Frame	The steel frame is bent, broken, painted, rusted or damaged.	You can contact us and we will get back to you within 24 hours. Or, you can reach us via after-sales email.
	The table is unstable after being assembled.	<ol style="list-style-type: none"> <li>1. Check if the screws are tightened.</li> <li>2. Read throughout the manual, check are there any parts installed incorrectly or missing assembled.</li> <li>3. If your problem still can't be solved, please feel free to contact us.</li> </ol>
	Encountering non-human caused damage during usage.	If the product is damaged due to non-human causes, please keep the product and send us photos of it. We will ascertain the cause of the product damage within 48 hours and provide you with a satisfactory solution.

We are committed to providing our customers with premium quality products and convenient customer service.

**MADE IN MALAYSIA**