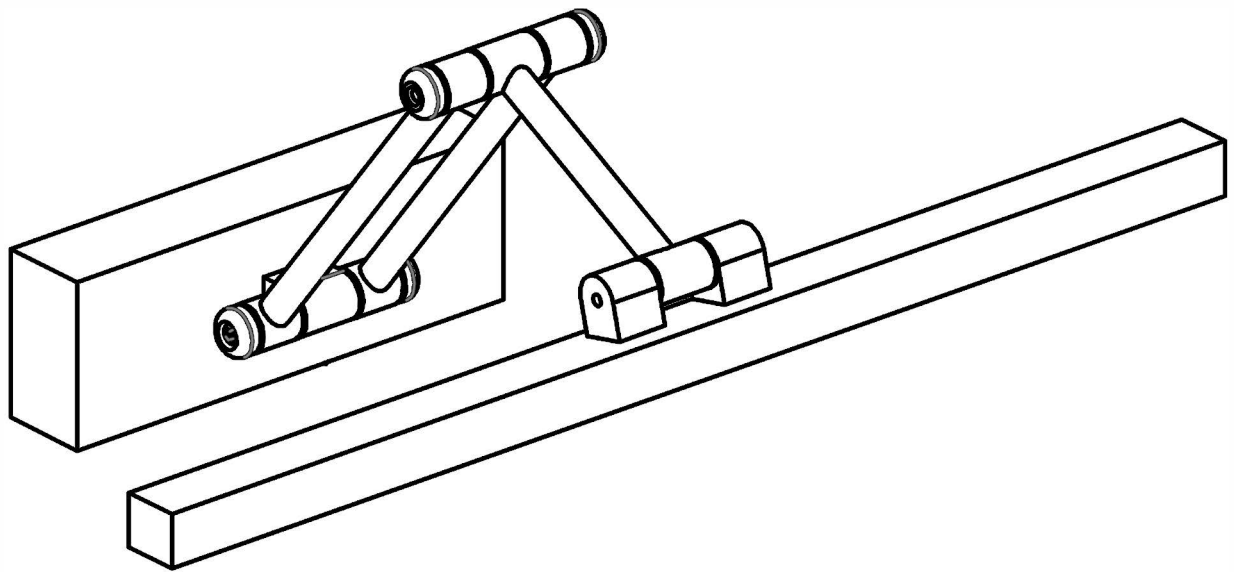
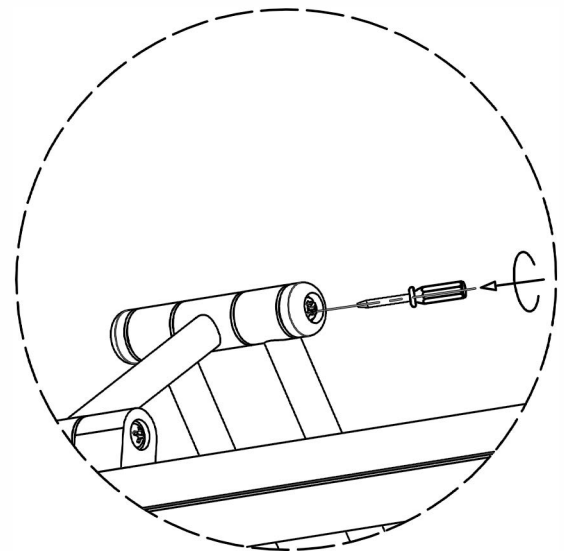


# INSTALLATION SHEET

## Picture Light Battery Powered



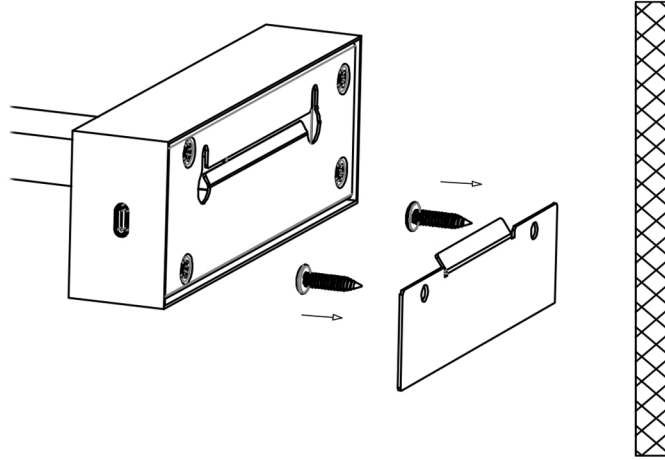
**ATTENTION :** During transportation, the screws at of the universal head may be a little loosened, you can use household screwdriver and tighten the screws to retain its position, according to your needs.



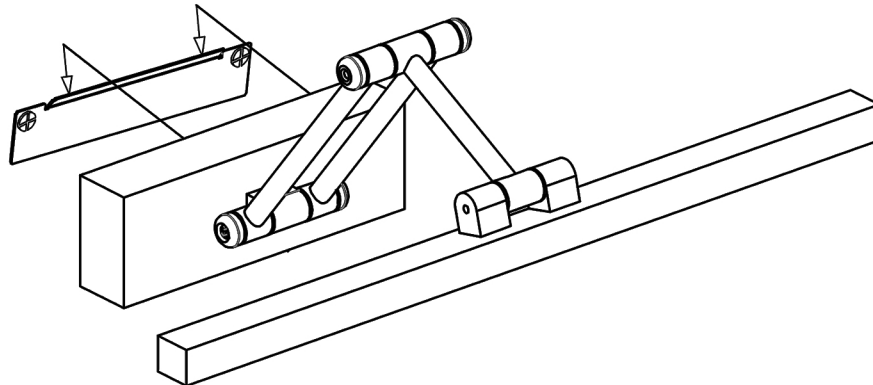
# Installation Instructions

**Secure the mounting bracket with screw kit(package included).**

**(1) Fix the mounting bracket on the wall with the screws.**



**(2) Fix the light on the bracket.**



## NOTE:

- \* Remove fixture from its original package.
- \* Prepare everything in a clear area.
- \* Please check whether the product can work normally with the remote before you start assembly.
- \* Read instructions carefully before you start assembly.
- \* Please check if the red indicator light is on when charging.
- \* It's recommended to use the 5V/2A charger to avoid long charging time.
- \* Please charge the picture light with a 5V charger for 4 hours before use.
- \* Keep this installation sheet for future reference.
- \* Package list: Picture Light x1, Mounting Bracket x1, Screw Kit x2, Type-C USB Cable x1, Remote x1 .

