

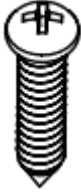


PULL-OUT TRASH CAN

SAFETY & WARNINGS

- Some parts may have sharp edges, care must be taken when handling various components to avoid personal injury.
- Do not manually force the lid to close, this can cause damage to the internal parts that allow the lid to open and close.
- Do not place trash can in direct sunlight or a heavily moisturized environment.

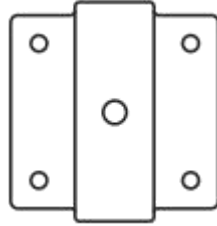
COMPONENTS



Short Screw (x16)



Long Screw (x6)

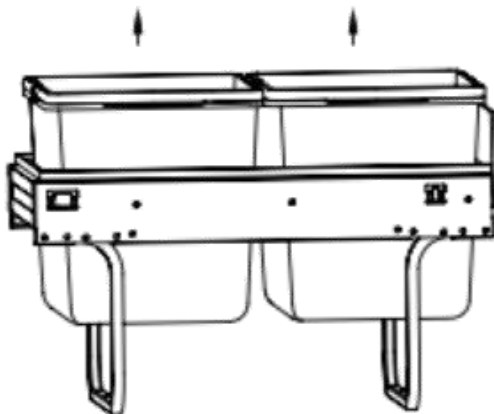


Metal Brackets (x4)

INSTALLATION

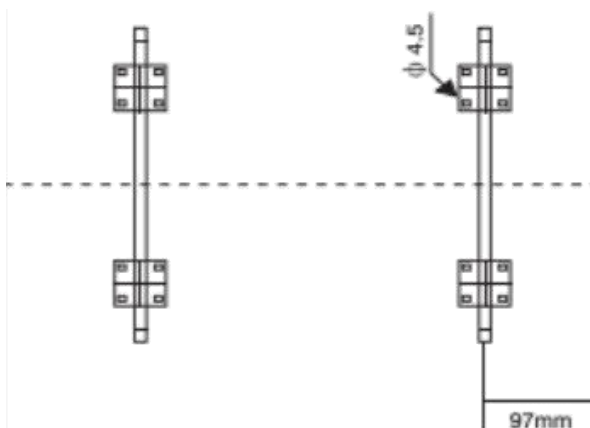
Step 1

Put the kitchen trash can into the metal frame.



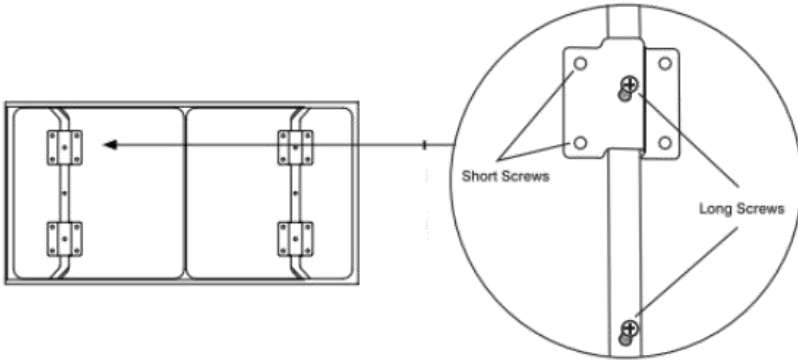
Step 2

Place the four metal brackets in the corresponding positions and place the kitchen trash can at a suitable distance (97mm) as shown.



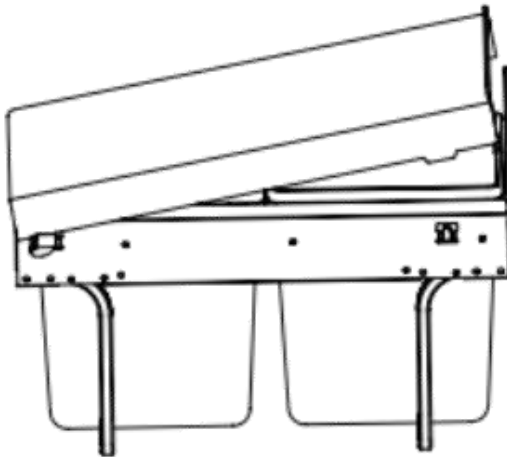
Step 3

Tighten the metal brackets to the kitchen trash can with short screws and long screws respectively.



Step 4

Close the lid on and finish assembly.



CLEANING & CARE

- To clean, wipe with a soft, slightly moist cloth.
- Dry the product after cleaning.
- Never use corrosive detergents, wire brushes, abrasive scourers, metal or sharp utensils to clean the product.