



SKYLINE
FURNITURE
MFG.

STANDARD BED ASSEMBLY

UPHOLSTERED SIDE RAILS HARDWARE



(6) 1" x 5/16" bolts



(6) 1 1/4" washers

You will need:

- phillips screwdriver
- flat head screwdriver
- pliers

*Open all hardware packets in both packages before starting assembly.

Wingbacks come with two additional bolts/washers which are listed in the chart in Step 5.

BED COMPONENTS



(4) legs
for all sizes



support legs
(1) Twin
(2) Full
(3) Queen
(6) King/California King



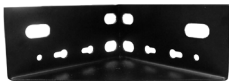
(2) side rails
for all sizes



support rails
(1) Twin/ Full/ Queen
(3) King/California King



(2) end rails
for all sizes



(4) corner brackets
for all sizes



(1) upholstered foot rail
for all sizes



(2) upholstered side rails
for all sizes



BED HARDWARE



1" x 1/4" bolts
(1) Twin
(2) Full
(3) Queen
(6) King/California King



(4) 3/4" x 5/16" bolts
for all sizes



1/4" bolts
(10) Twin/ Full/ Queen
(14) King/California King



3/4" washer
(smaller center)
(1) Twin
(2) Full
(3) Queen
(6) King/California King



(4) 3/4" washer
(larger center)
for all sizes



1/4" nuts
(10) Twin/ Full/ Queen
(14) King/California King



(8) 3/4" screws
for all sizes



(2) L Brackets
for all sizes



(1) wrench
for all sizes



(1) 5/32" L wrench
for all sizes



(1) 3/16" L wrench
for all sizes

IF YOU HAVE ANY QUESTIONS, PLEASE CALL US AT 1.800.542.7553

LIMITED WARRANTY

SKYLINE FURNITURE INC. guarantees its upholstered furniture against defects in construction for a period of one (1) year. When a structural defect is brought to our attention, we will repair or replace it at our option at no charge to the customer (includes parts and labor, not transportation costs). Fabric wearability for upholstered furniture is not covered by the warranty. Vacuum for regular cleaning.

PLEASE DISPOSE OF PLASTIC BAG (S) AND CARTON (S) RESPONSIBLY.

LIMITE DE GARANTIA

SKYLINE FURNITURE INC. garantiza sus muebles tapizados contra defectos en construcción por un periodo de un (1) año. Cuando un problema de estructura es traído a nuestra atención, nosotros repararemos o remplazaremos sin ningun cargo a nuestro cliente (incluye partes y trabajo, no costo en transportacion). Descoloramiento del material de muebles tapizados no es cubierto por la garantía. Regularmente puede aspirar.

POR FAVOR TIRAR BOLSA (S) Y CAJA (S) RESPONSABLEMENTE.

GARANTIE LIMITÉE

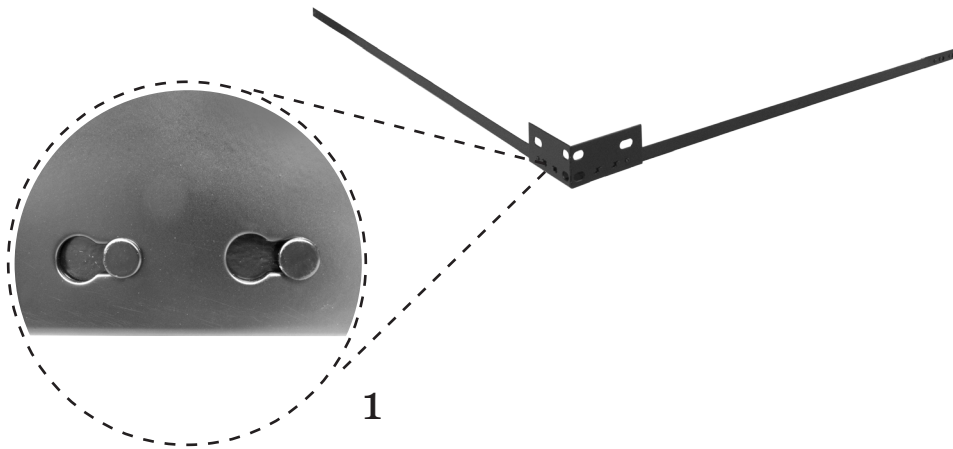
SKYLINE FURNITURE INC. garantit ses meubles rembourrés contre les défauts de construction pendant une période d'un (1) an. Lorsqu'un vice de construction nous est signalé, nous réparons ou remplaçons le meuble, selon notre choix, sans frais pour le client (incluant les pièces et la main-d'oeuvre, mais excluant les frais de transport). La durabilité du tissu des meubles rembourrés n'est pas couverte par la garantie. Nettoyer régulièrement avec un aspirateur.

VEUILLEZ JETER LE OU LES SAC(S) EN PLASTIQUE ET BOÎTE(S) DE FAÇON RESPONSABLE.



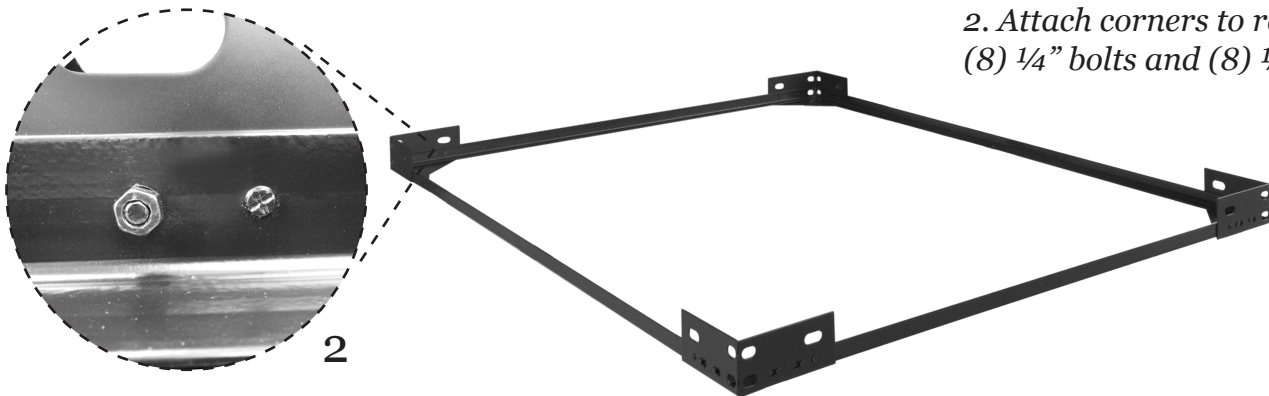
SKYLINE
FURNITURE
MFG.

STEP 1

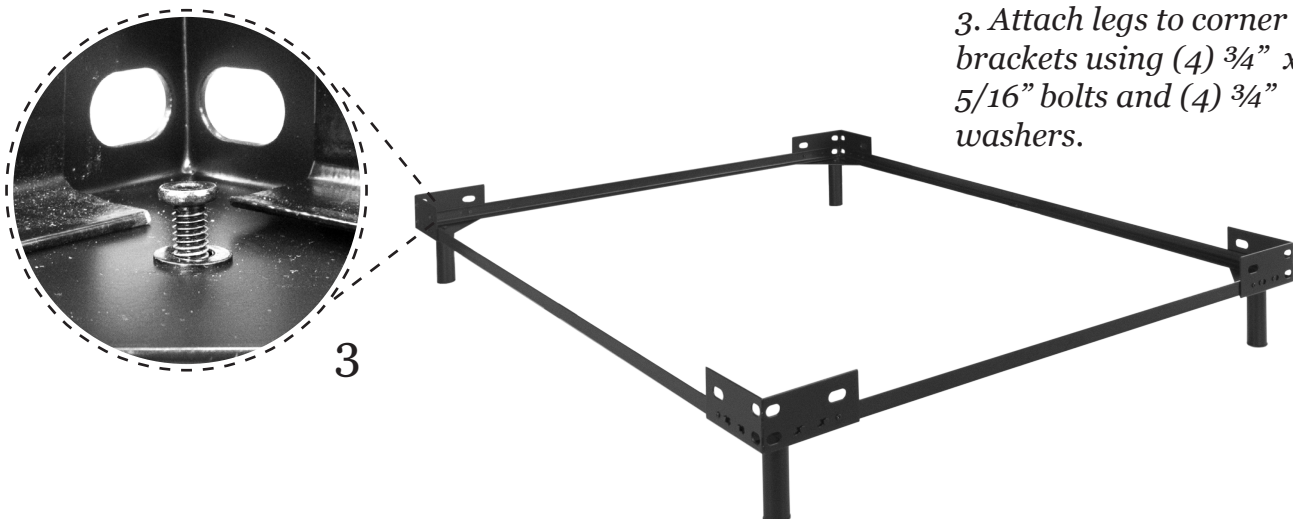


1. Attach side rail and end rail to corner bracket. Make sure to align holes and snap into thinner slot.

Continue this action until you have a rectangular frame.



2. Attach corners to rails using (8) 1/4" bolts and (8) 1/4" nuts.

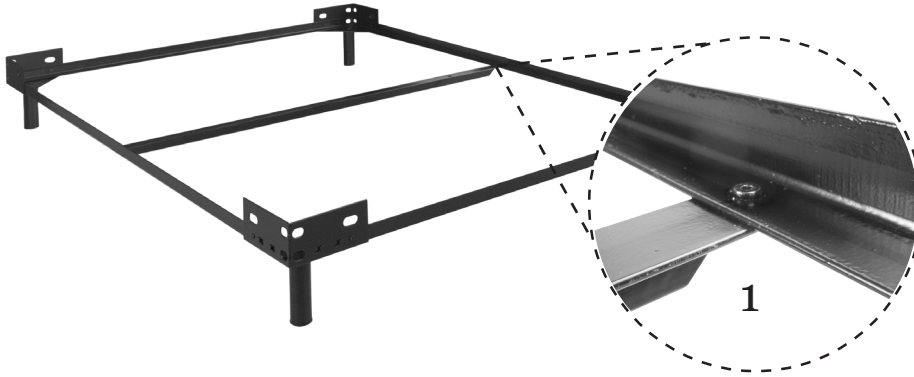


3. Attach legs to corner brackets using (4) 3/4" x 5/16" bolts and (4) 3/4" washers.



SKYLINE
FURNITURE
MFG.

STEP 2

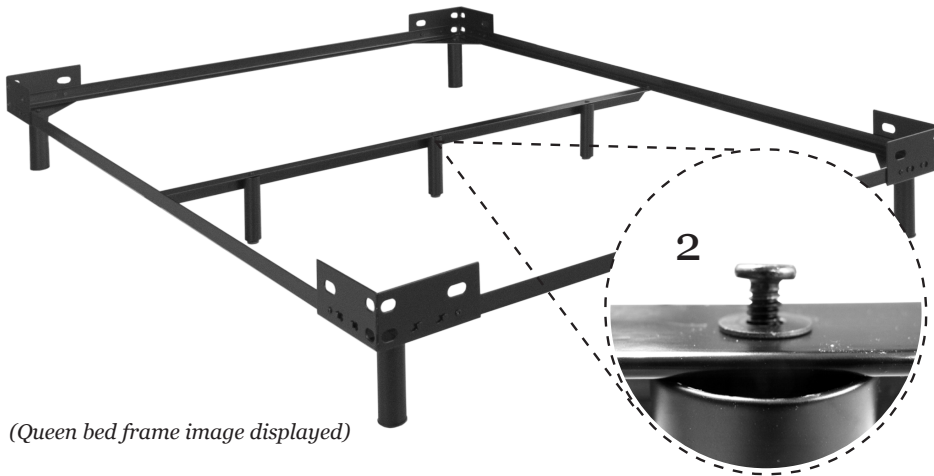


1. Attach each support rails using (2) 1/4" bolts and (2) 1/4" nuts. Make sure to attach the support rail underneath the bed frame.

Note:

Twin/ Full/ Queen = 1 support rail

King/California King = 3 support rails



2. Attach each support leg to the rail using (1) 1" x 1/4" bolts and (1) 3/4" washer.

Note:

Twin = 1 support leg

Full = 2 support legs (no center leg)

Queen = 3 support legs

King/California King = 6 support legs.

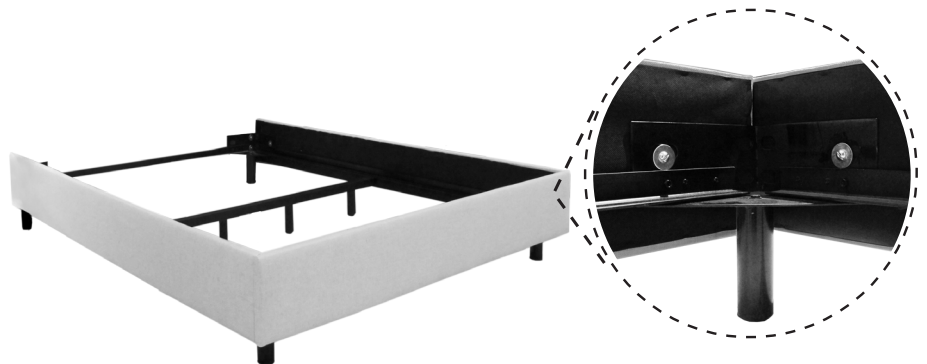
(2 legs for each support rail)

(Queen bed frame image displayed)

STEP 3

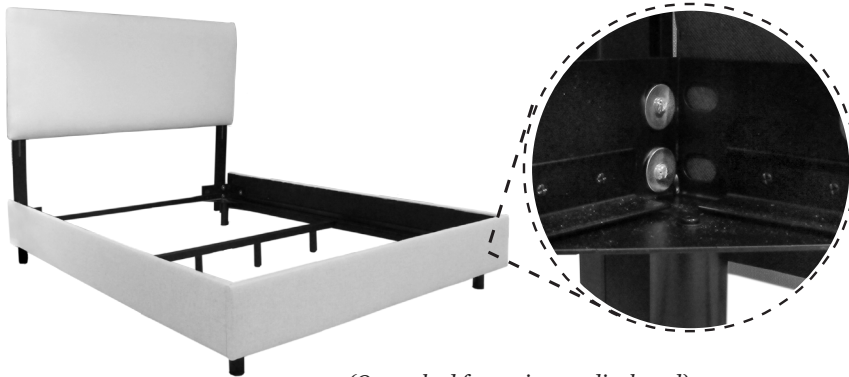
1. Use (6) 1" x 5/16" bolts, (6) 1 1/4" washers to attach rails to bed frame loosely. Screw in side rails before attaching the foot rail.

2. Push side rails towards foot rail, so that there is no gap.





STEP 4

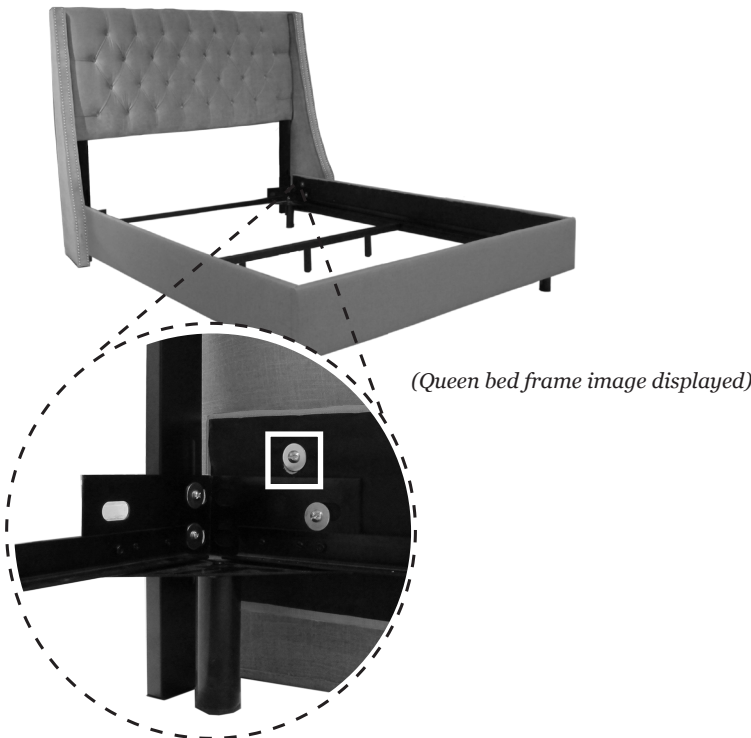


(Queen bed frame image displayed)

Connect assembled bed frame and rails to your headboard. Attach pieces using (4) 1" x 1/4" bolts, (8) 1 1/4" washers*, and (4) 1/4" nuts. Proceed to Step 5 for Wingback beds, otherwise continue onto Step 6.

* Use a washer on each side of the metal legs when attaching headboard to the bed frame.

STEP 5



(Queen bed frame image displayed)

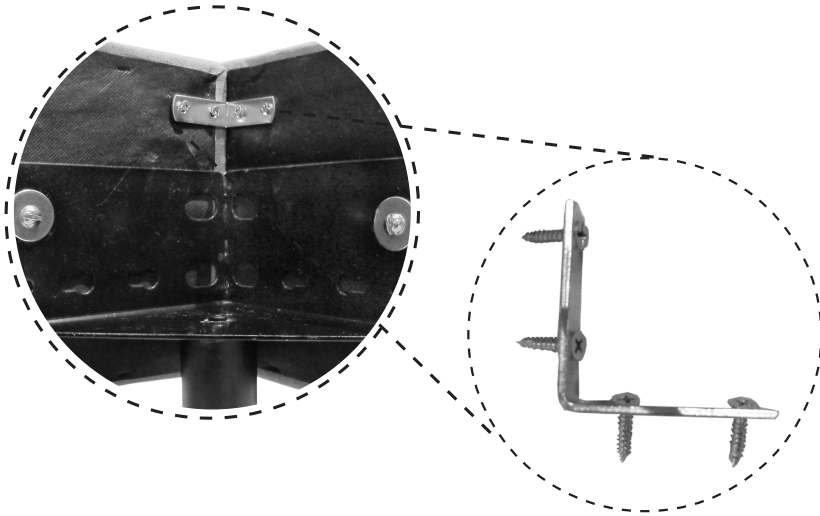
Only for Wingback beds: Refer to chart to use assigned bolts and (2) 1 1/4" washers for the top hole (see image). Bolts are enclosed with headboard hardware. You might have to loosen the bolt/washer below it to align both holes properly.

Wingback Side Rail Bolt Chart	
Bolt Size	Wingback Series
2" x 5/16"	400, 410, 100, 100NB, 430, 450
2 1/2" x 5/16"	420, 2420,
3" x 5/16"	120, 150NB, 130, 2380, 930, 970, 970NB, 140NB, 300, 300SL, 300NB, 320, 500, 500BN, 500NB, 510, 530NB
No bolt needed	170, 3710



SKYLINE
FURNITURE
MFG.

STEP 6



With a phillips screwdriver, attach (2) L brackets and (8) 3/4" self-tapping screws in the corners of the foot rail. This is needed to increase stability of upholstered rails.