

Assembly Manual

Rocking chair



Please read this manual carefully before any operation and keep it properly for future use. If any problems on our product, please feel free to contact us.



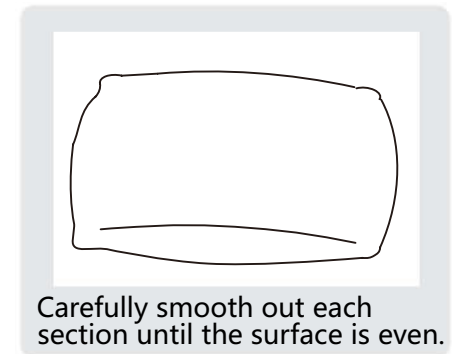
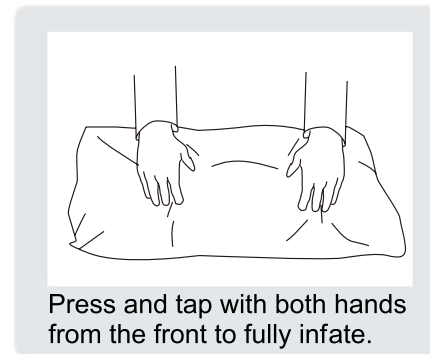
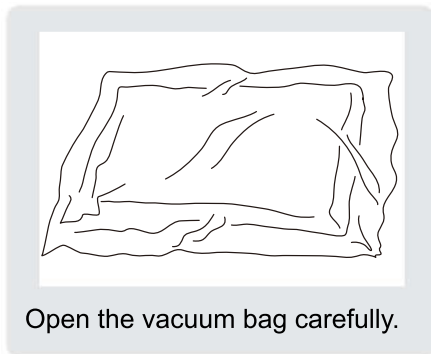
Safety and Care Advice

Important – Please read these instructions fully before starting assembly

Thanks for your purchase. Before the assembly. Please follow the instruction to check if all the spare parts and screws are intact.

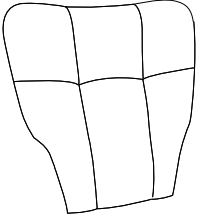
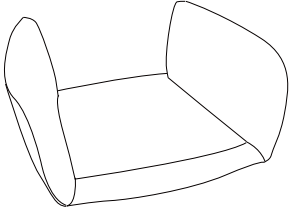
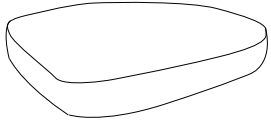
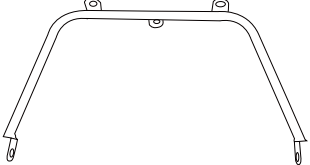
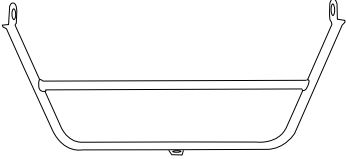


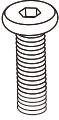
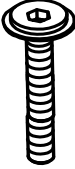

- Considering the size and weight of the sofa, we recommend two adults to assemble the sofa, on a carpeted or padded area, in the room that it is intended for. Approximate assembly time: 30 minutes.
- Keep all components and packaging out of reach of children or animals to avoid risk of choking or suffocation.
- Please do not throw away any of the packaging or the instruction until you have checked all the components and hardware and the furniture is fully assembled. Please ensure that the packaging is disposed in a safe and environmentally friendly way.
- Please do not take off the cover, and do not wash.

Your cushions come vacuum packed and sealed for shipping. To restore the cushion's original shape. follow the steps below.



After packing up, place them in somewhere dry and venslated. After about 72-96 hours. It can be restored to the best use condition.

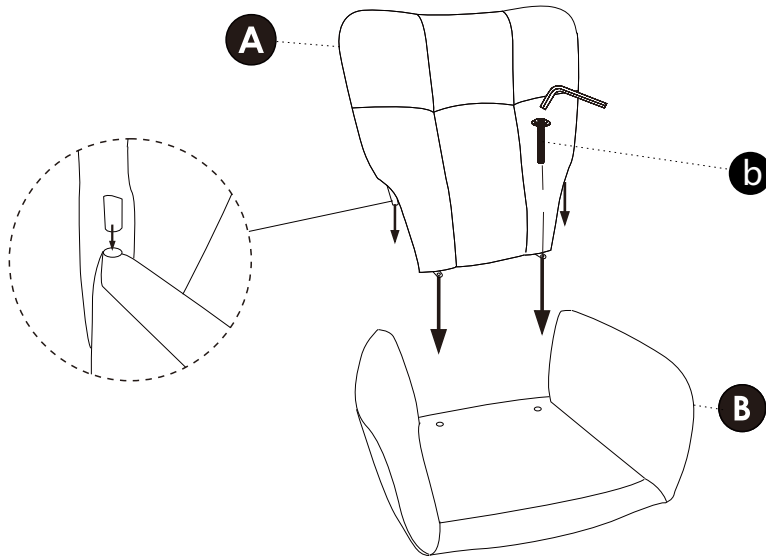
Components List

<p>A Backrest</p>  <p>x1</p>	<p>B seat frame</p>  <p>x1</p>	<p>C Seat cushion</p>  <p>x1</p>
<p>D Chair stand(after)</p>  <p>x1</p>	<p>E Chair stand(before)</p>  <p>x1</p>	<p>F Chair foot R</p> <p>before after</p>  <p>x1</p>
<p>G Chair foot L</p> <p>after before</p>  <p>x1</p>	<p>a Screw</p> <p>M6×18mm</p>  <p>×10+2</p>	<p>b Screw</p> <p>M6×25mm</p>  <p>×2+1</p>
<p>d Wrench</p>  <p>x1</p>		

Assembly Instruction

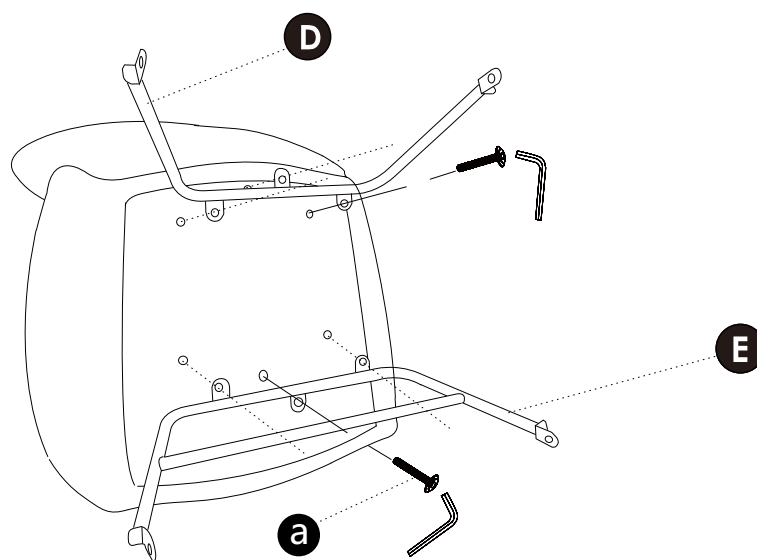
STEP 1

Attach backrest (A) to seat frame (B) aligning both sides of the round tube, and fix them using screws (b) and wrench (d).



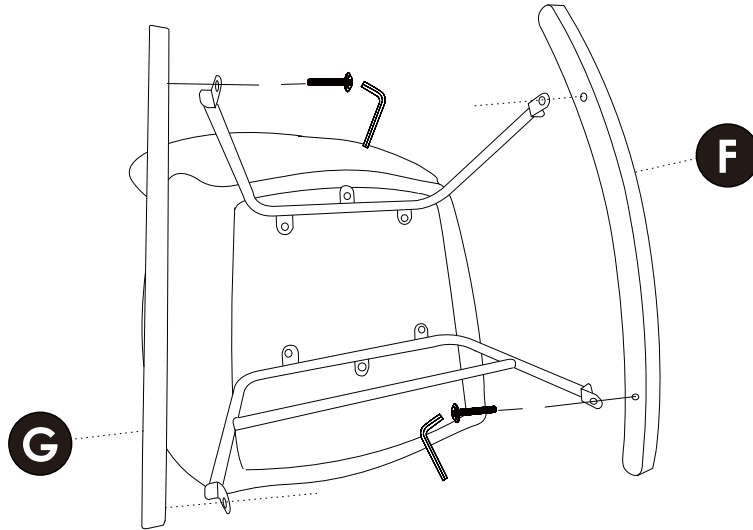
STEP 2

Flip the chair over and attach chair stands (D&E) to the seat frame using screws (a). Be careful of the direction of stands.



STEP 3

Attach Chair feet(F&G) to the bottom of chair stands using screws(a).



STEP 4

Flip the chair over again and put the seat cushion(C) on the chair. The assembly is done.

