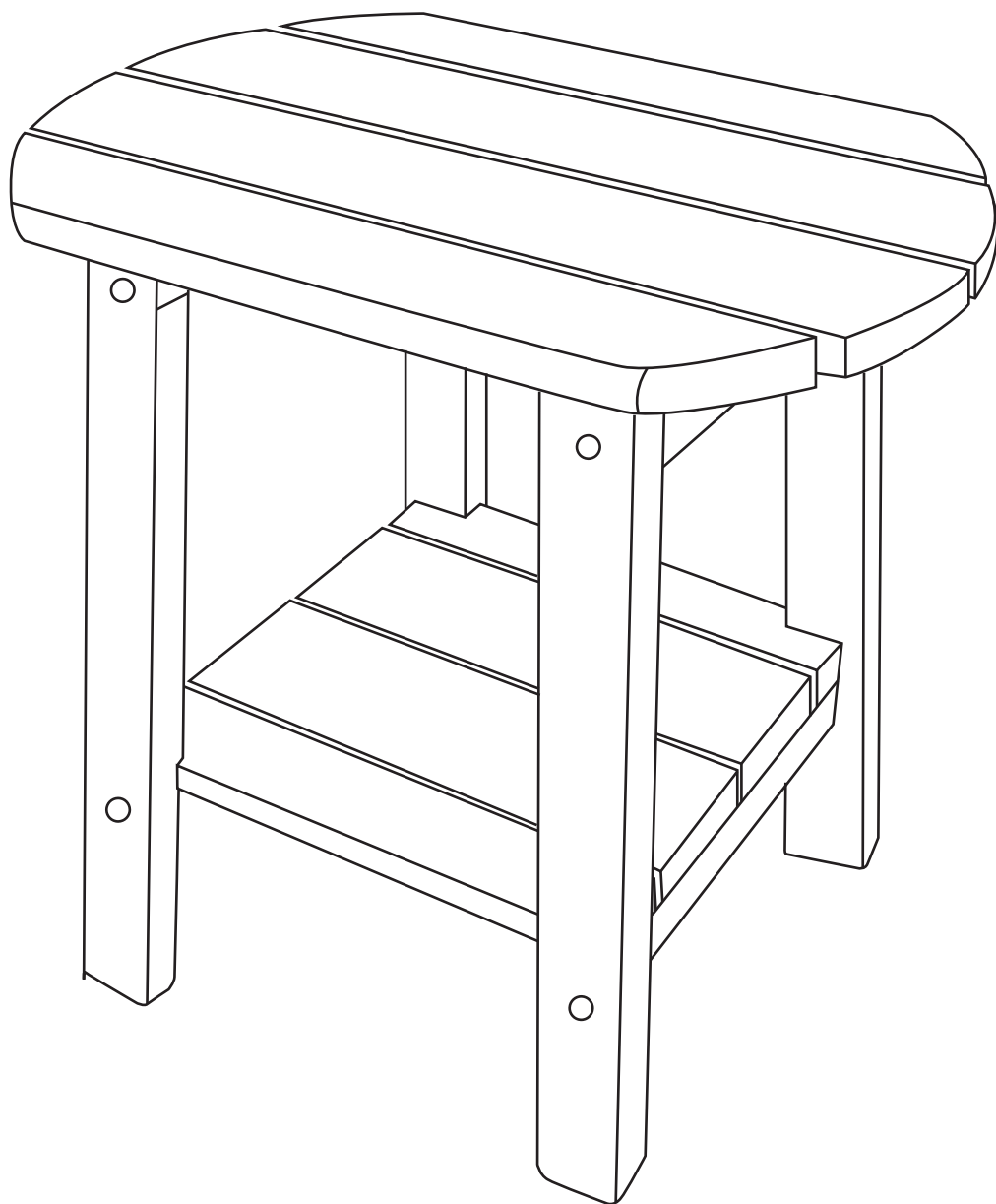


USER'S MANUAL

Product Name: **Side Table**



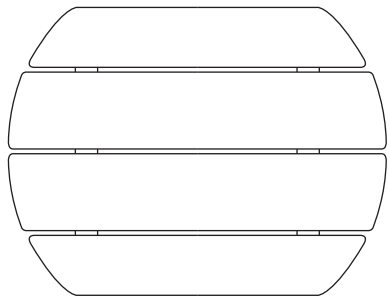
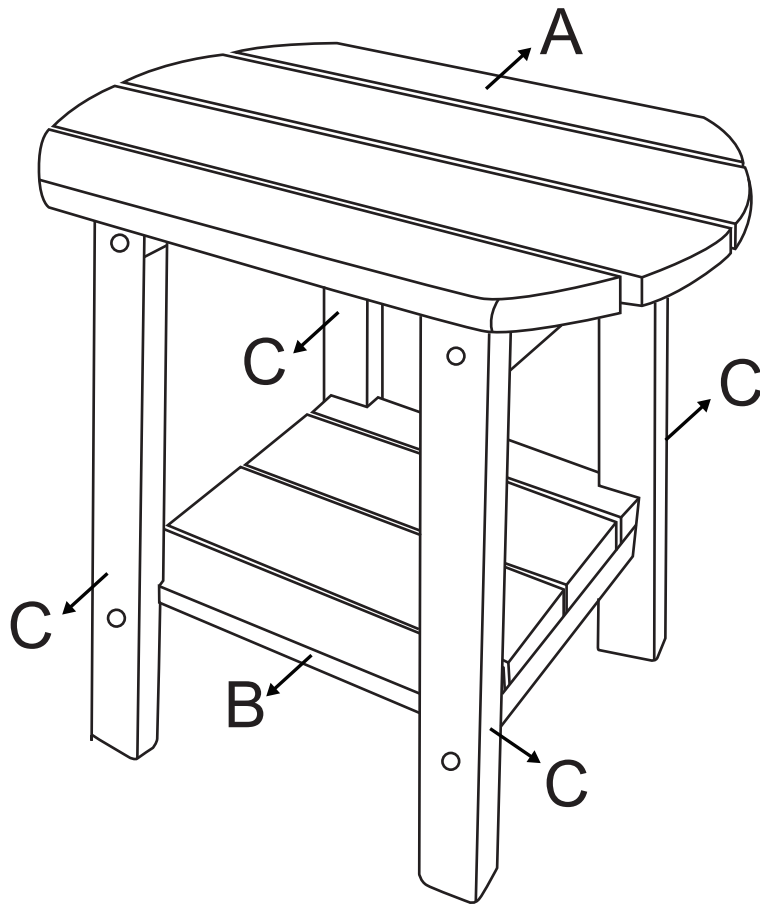
THIS INSTRUCTION BOOKLET CONTAINS **IMPORTANT SAFETY INFORMATION**.

PLEASE READ AND KEEP FOR FUTURE REFERENCE.

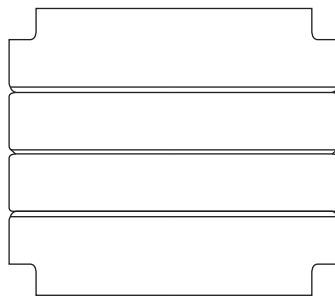
Before You Start

- Please read all instructions carefully.
- Retain instructions for future reference.
- Separate and count all parts and hardware.
- Read through each step carefully and follow the proper order.
- We recommend that, where possible, all items are assembled near to the area in which they will be placed in use, to avoid moving the product unnecessarily once assembled.
- Always place the product on a flat, steady and stable surface.
- Keep all small parts and packaging materials for this product away from babies and children.

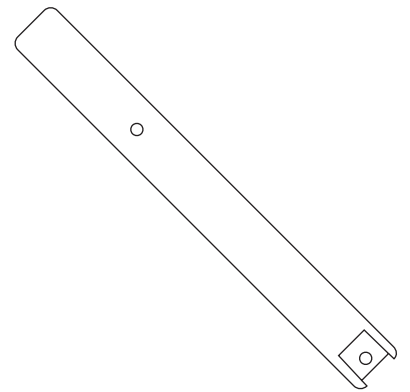
KNOW YOUR PARTS



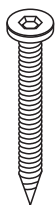
Part A x 1



Part B x 1



Part C x 4



Screw cut x8

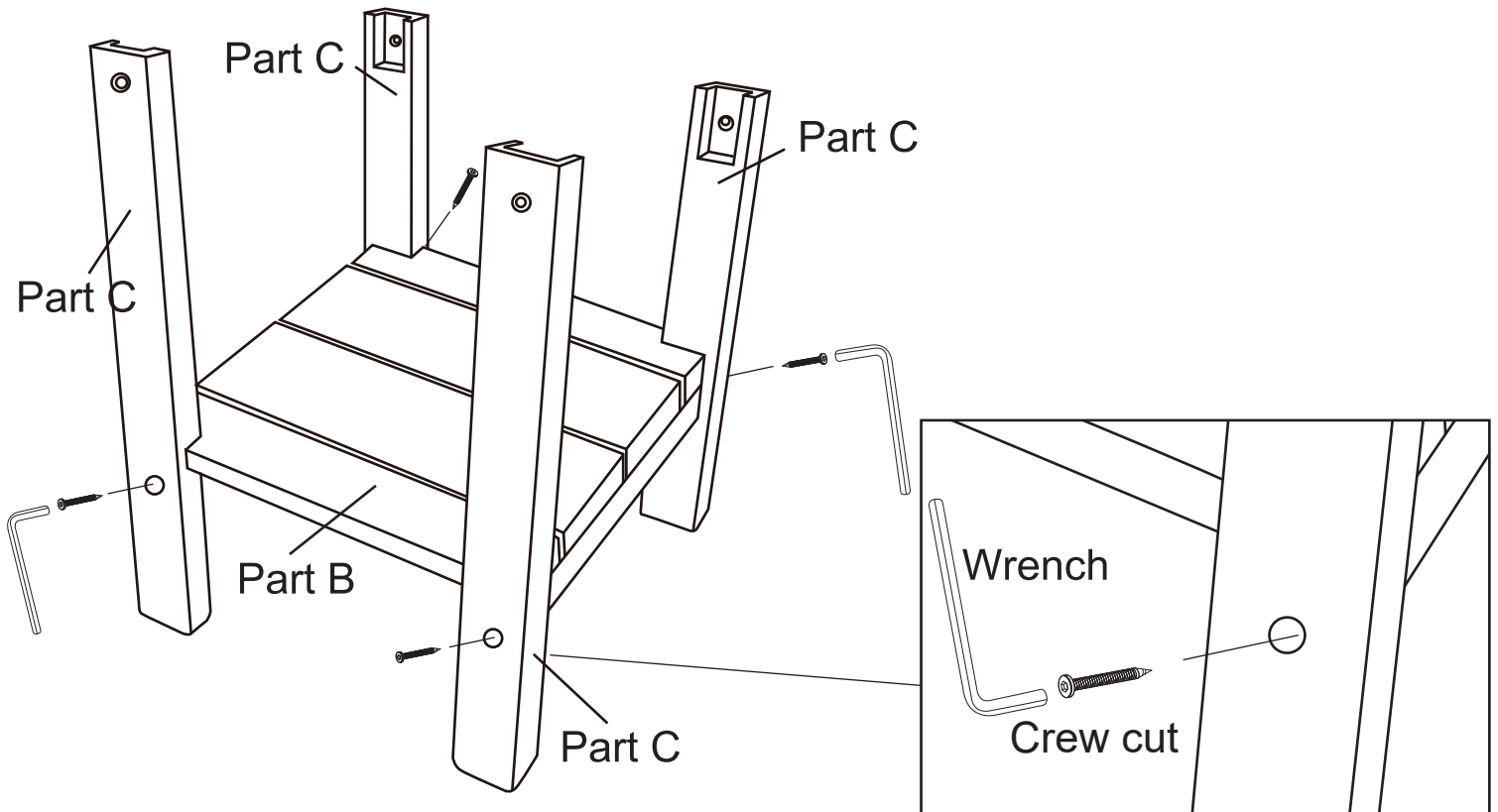


Wrench x 1

2 ASSEMBLY SETPS

Step 1:

Take out Part B x 1 and Part C x 4 and install them with Crew cut (40mm) x4 (as shown in the figure below) .



Step 2:

Take out Part A x 1 and install it on Part C x 4 with Crew cut (40mm) x4 (as shown in the figure below).

