










Before You Start

-  Please read all instructions carefully.
-  Retain instructions for future reference.
-  Separate and count all parts and hardware.
-  Read through each step carefully and follow the proper order.
-  We recommend that, where possible, all items are assembled near to the area in which they will be placed in use, to avoid moving the product unnecessarily once assembled.
-  Always place the product on a flat, steady and stable surface.
-  Keep all small parts and packaging materials for this product away from babies and children as they potentially pose a serious choking hazard.

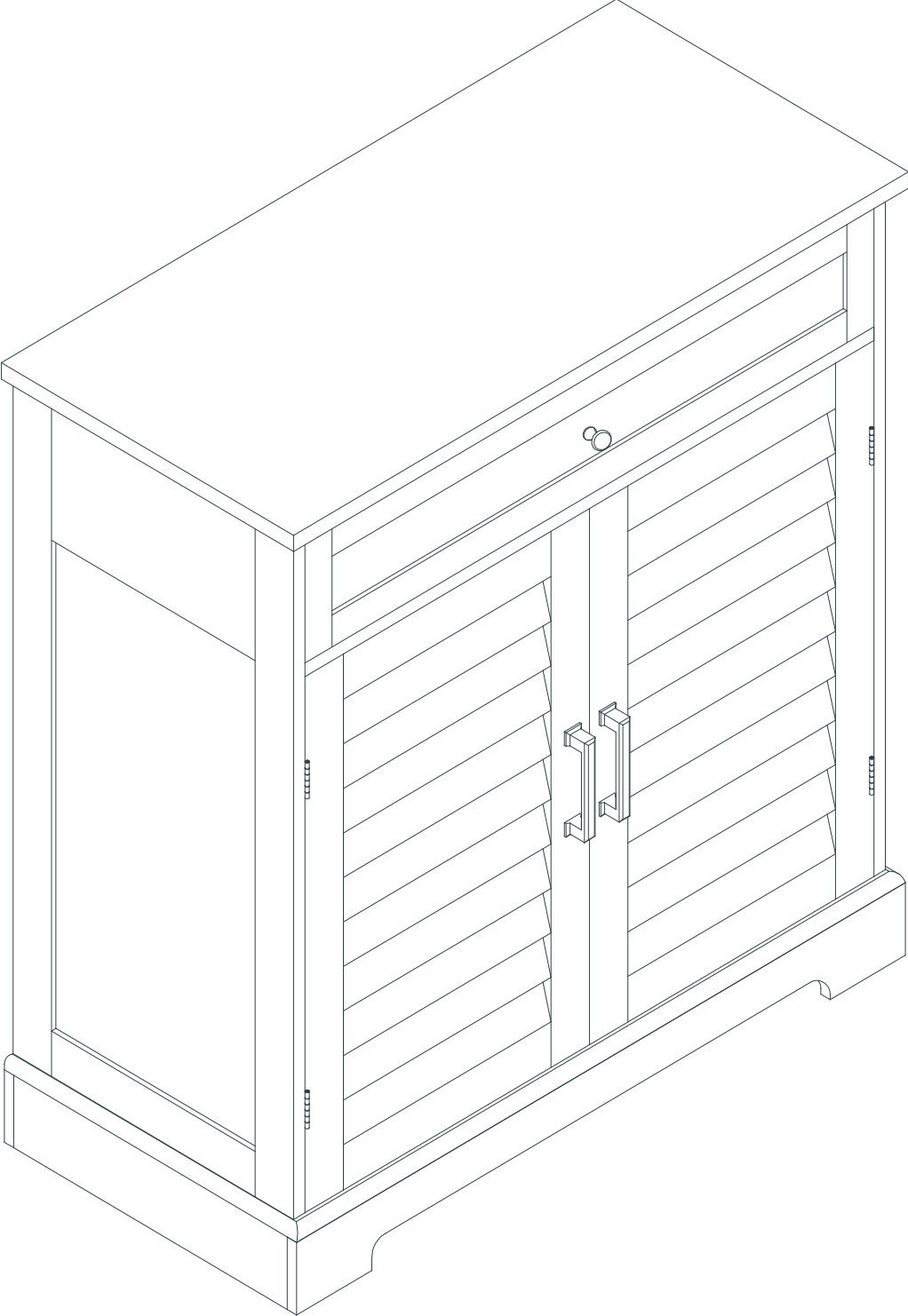
Assembly Instructions

We have designed our furniture with you, the customer in mind. Our clear, easy to follow step by step instructions will guide you through the project from start to finish. Feel confident that this will be a fun and rewarding project. The final product will be a quality piece of furniture that will go together smoothly and give years of enjoyment.

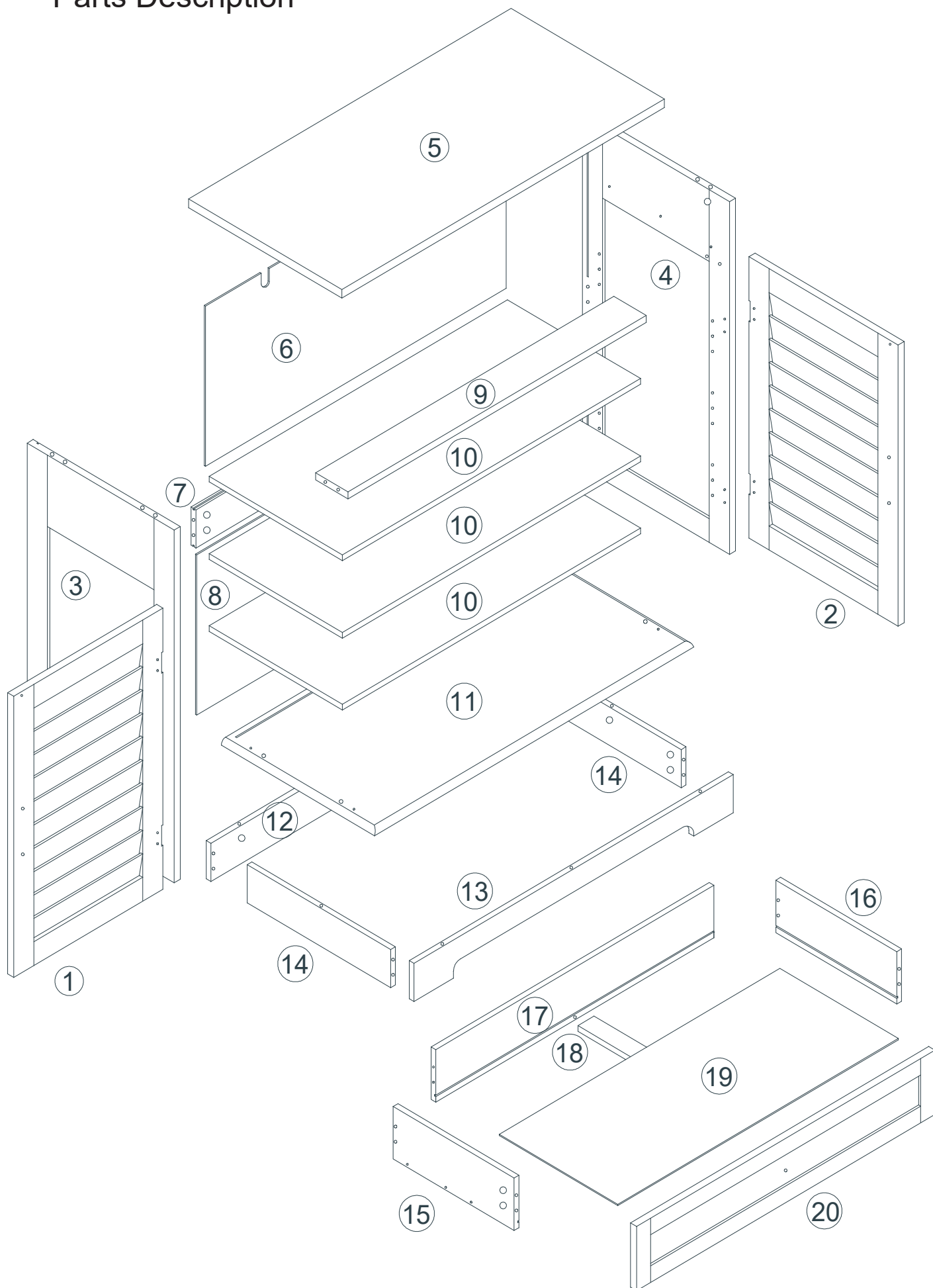


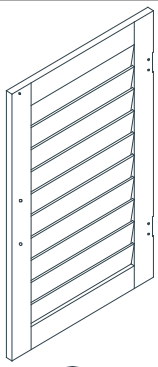
Please do not return to the store
Broken or missing Hardware?
Need help with Assembly?

Completed Assembly

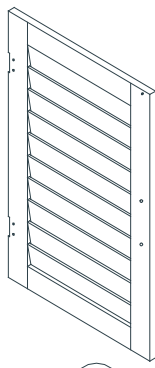


Parts Description

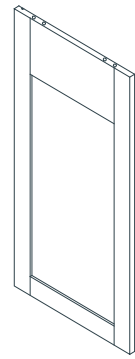




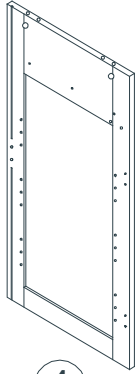
1



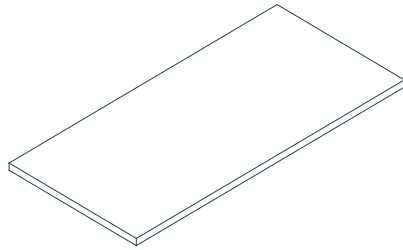
2



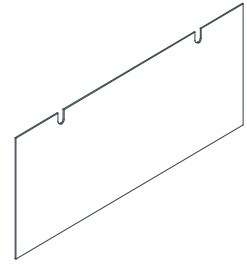
3



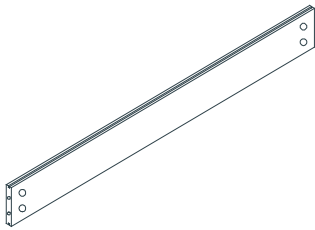
4



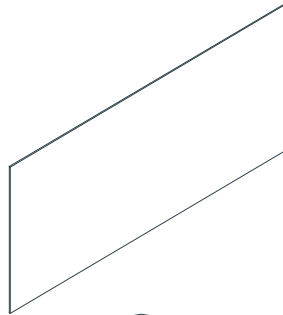
5



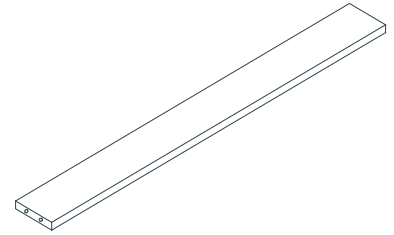
6



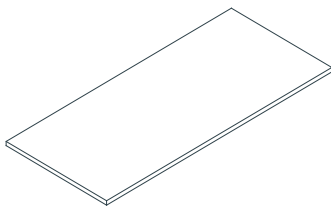
7



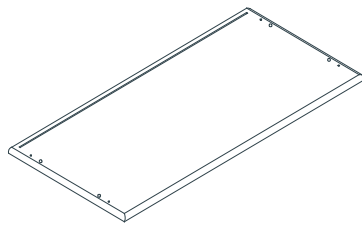
8



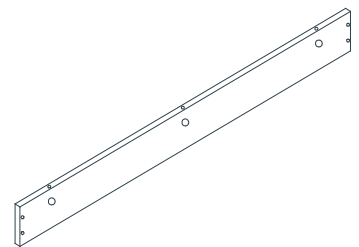
9



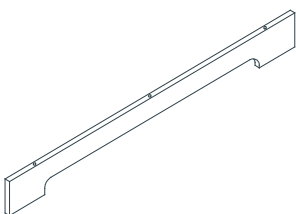
10 x3



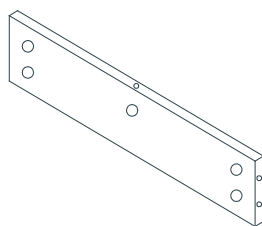
11



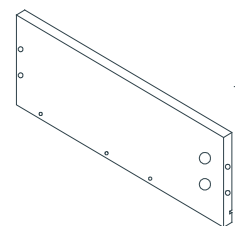
12



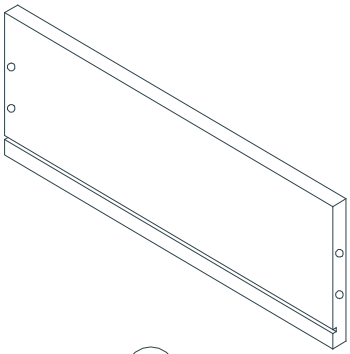
13



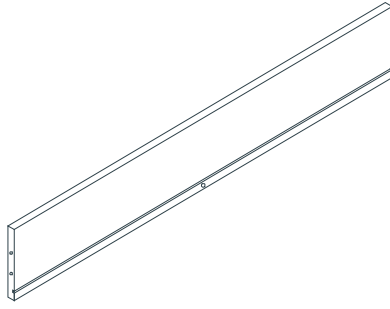
14 x2



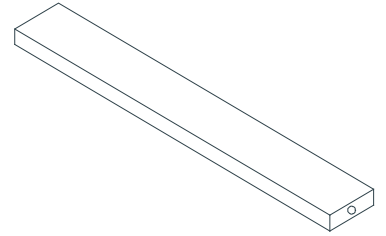
15



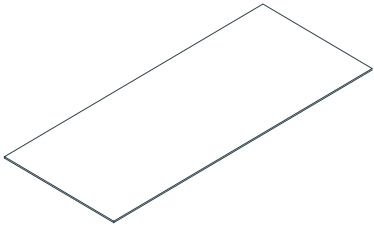
16



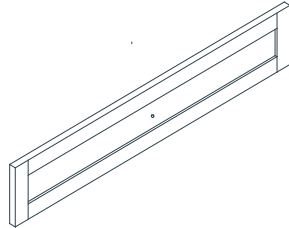
17





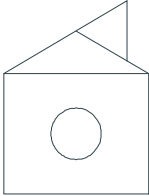
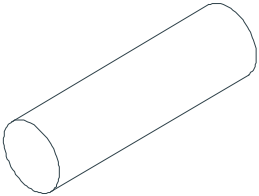
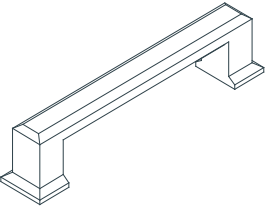



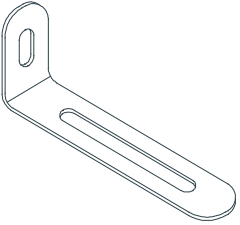
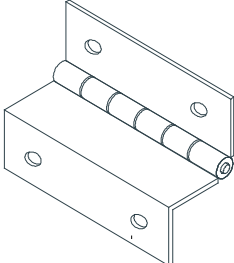
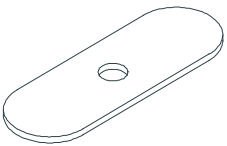
18

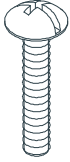
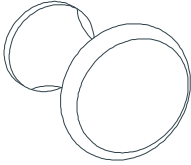
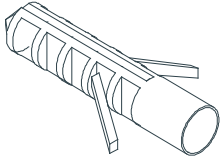
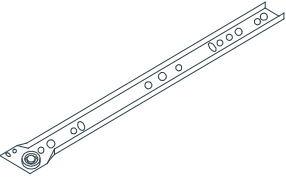
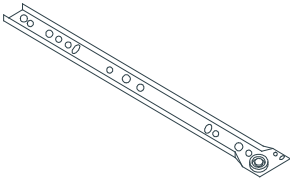
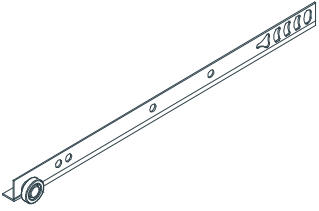
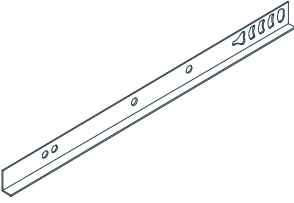
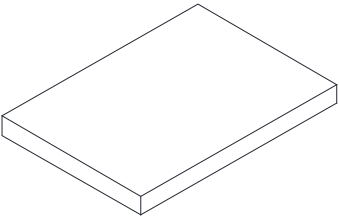


19



20

<p>A</p>  <p>Cam Bolt 33pcs</p>	<p>B</p>  <p>Cam Lock 33pcs</p>	<p>C</p>  <p>3*12mm Screw 30pcs</p>
<p>D</p>  <p>3x15mm Screw 8pcs</p>	<p>E</p>  <p>Rear Panel Hooks 8pcs</p>	<p>F</p>  <p>Shelf Support 12pcs</p>
<p>G</p>  <p>Handle 2pcs</p>	<p>H</p>  <p>8x30mm Wooden Dowel 8pcs</p>	<p>I</p>  <p>3*14mm Screw 2pcs</p>
<p>J</p>  <p>Magnet 1pc</p>	<p>K</p>  <p>4*30mm Screw 11pcs</p>	<p>L</p>  <p>Tilting Prevention Device 2pcs</p>
<p>M</p>  <p>4*12mm Screw 4pcs</p>	<p>N</p>  <p>Metal Hinge 4pcs</p>	<p>O</p>  <p>Metal Plate 2pcs</p>

<p>P</p>  <p>Bolt</p>	<p>Q</p>  <p>Handle</p>	<p>R</p>  <p>Anchor</p>
<p>CL</p>  <p>Left Glider</p>	<p>CR</p>  <p>Right Glider</p>	<p>DL</p>  <p>Left Slider</p>
<p>DR</p>  <p>Right Slider</p>	<p>S</p>  <p>Foot Pad</p>	



Note: Please do not use any power tools. Use of power tools may cause damage and void manufacture warranty.

Instructions For Fastening Cam Bolt and Cam Lock



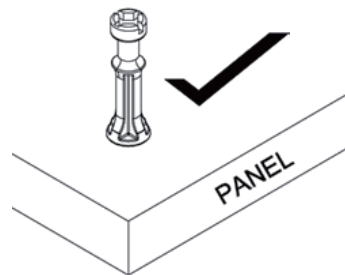
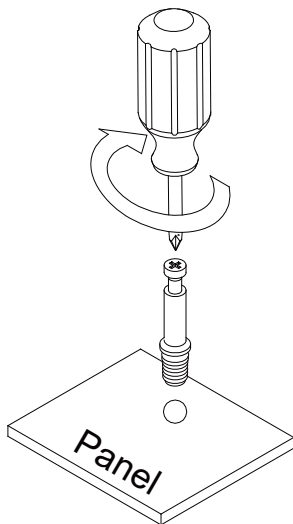
CAM BOLT



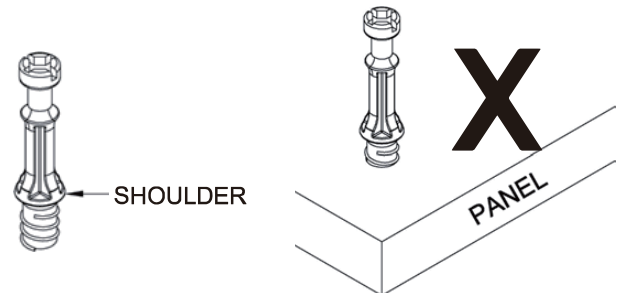
CAM LOCK

Cam Bolt

Place Cam Bolt on the designated pre-drilled hole on the panel. Use a Phillips Screwdriver to screw in Cam Bolt vertically until shoulder is snug and flushed with panel. Do not over-tighten or under-tighten Cam-bolt. See illustrations below.

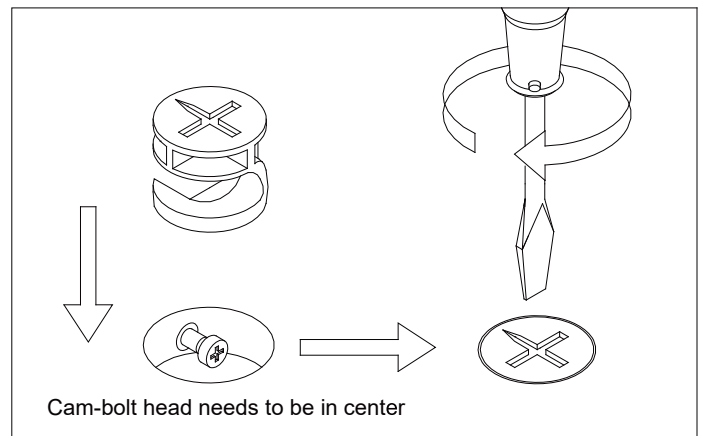
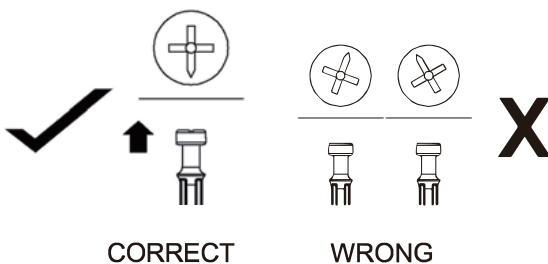


Shoulder is flushed (on the same level) with the panel.



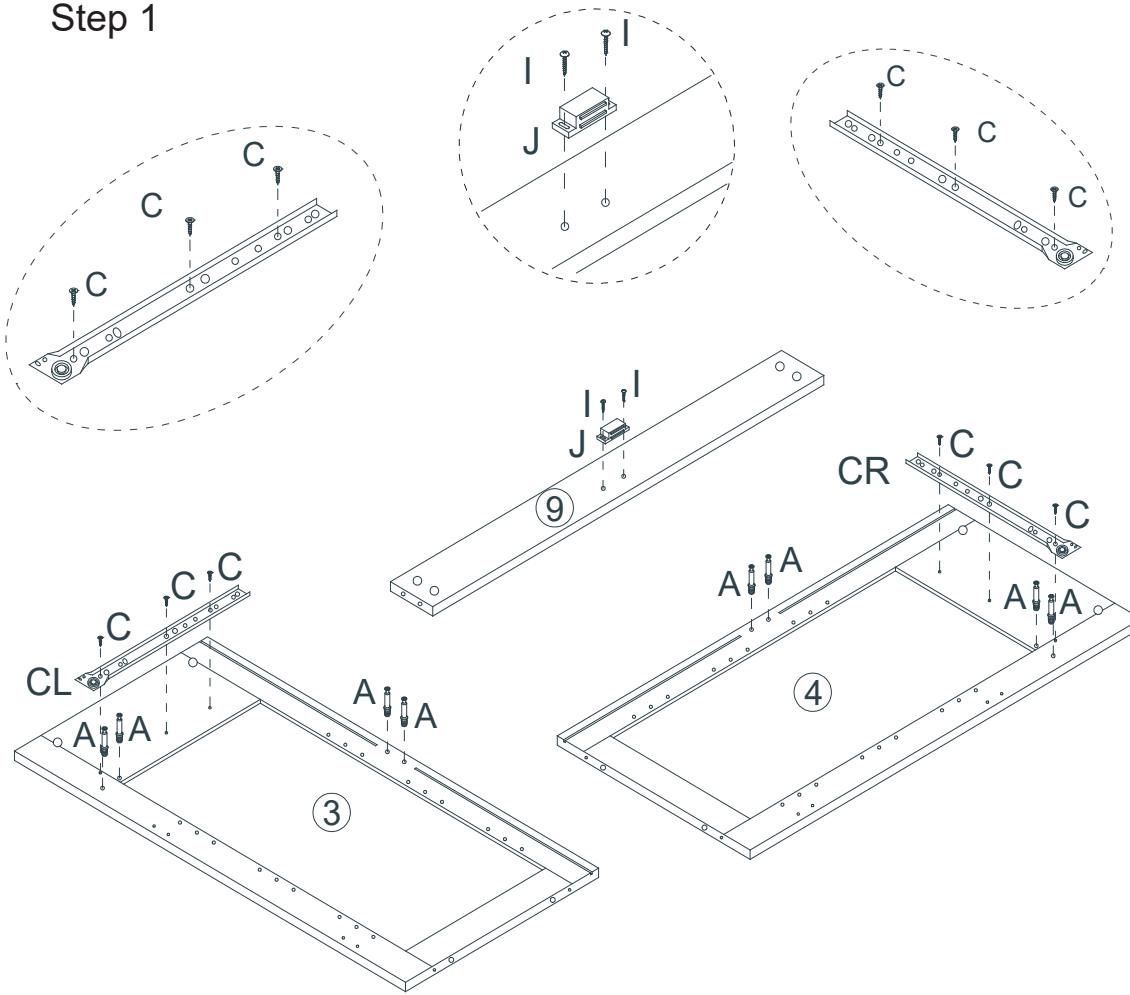
Shoulder is above the panel.







CAM-LOCK
Align the arrow on the Cam-lock to the Cam-bolt head and insert the Cam-lock.

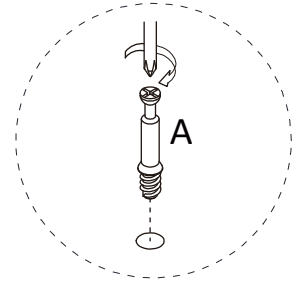


Use a Flat-head Screwdriver to turn Cam Lock clockwise to lock onto the head of the Cam Bolt. Turn until it is snug (about a half turn) – over-tightening could damage Cam Lock and/or Cam Bolt.

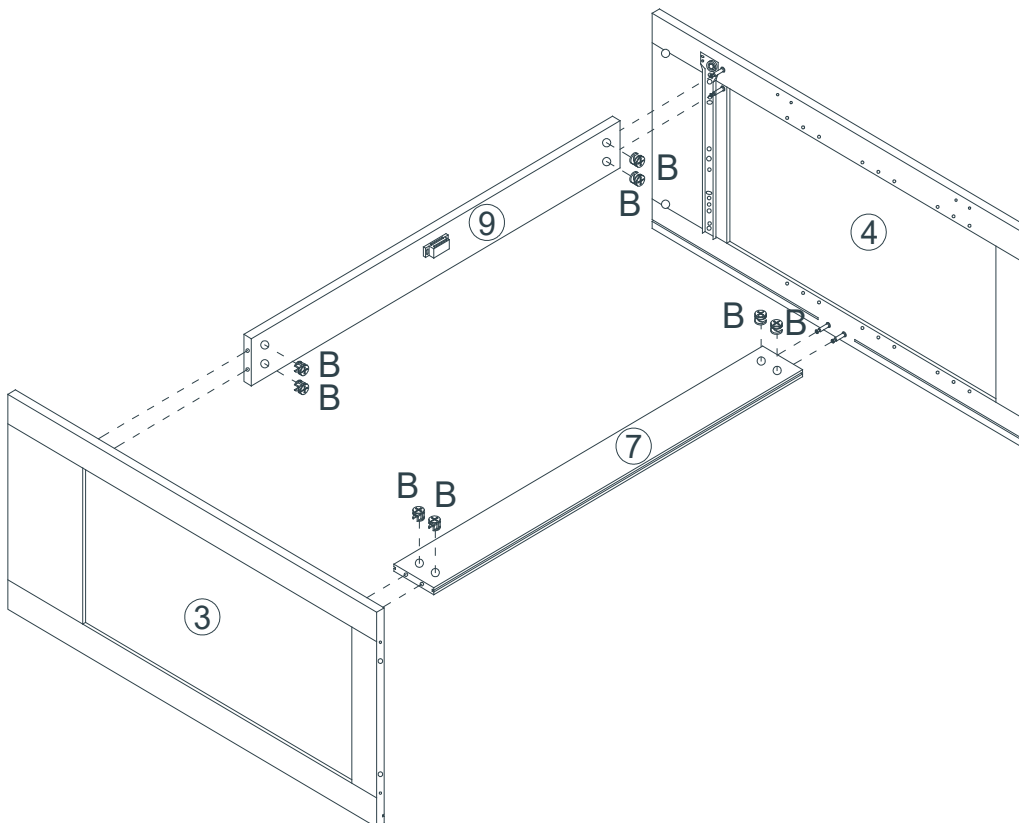
Step 1




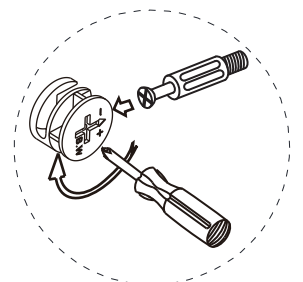
Hardware Needed		
A		X8
C		X6
I		X2
J		X1
CL		X1
CR		X1



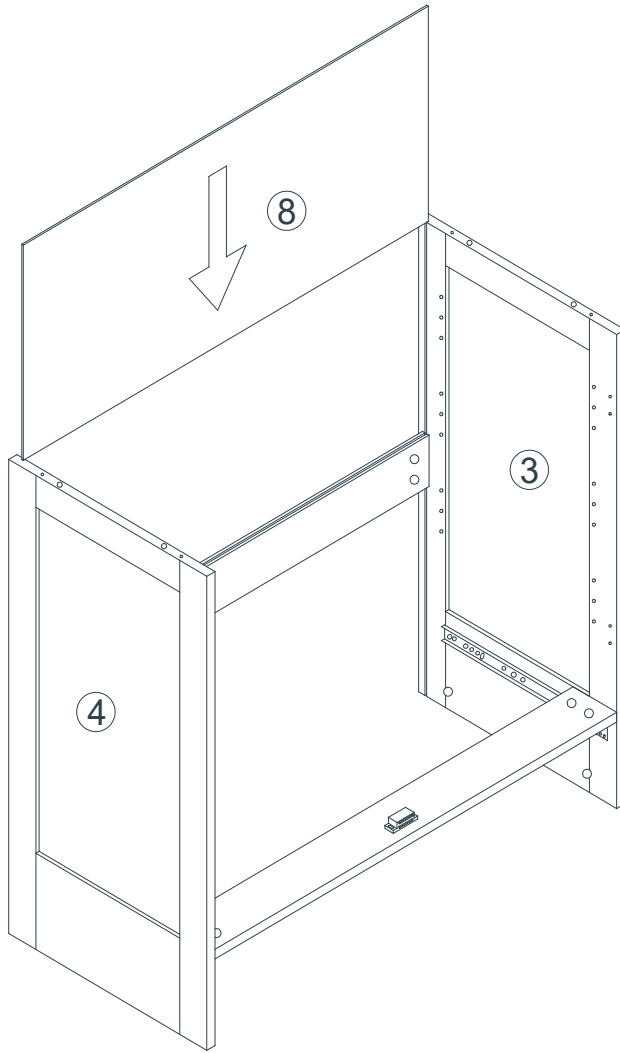
Step 2



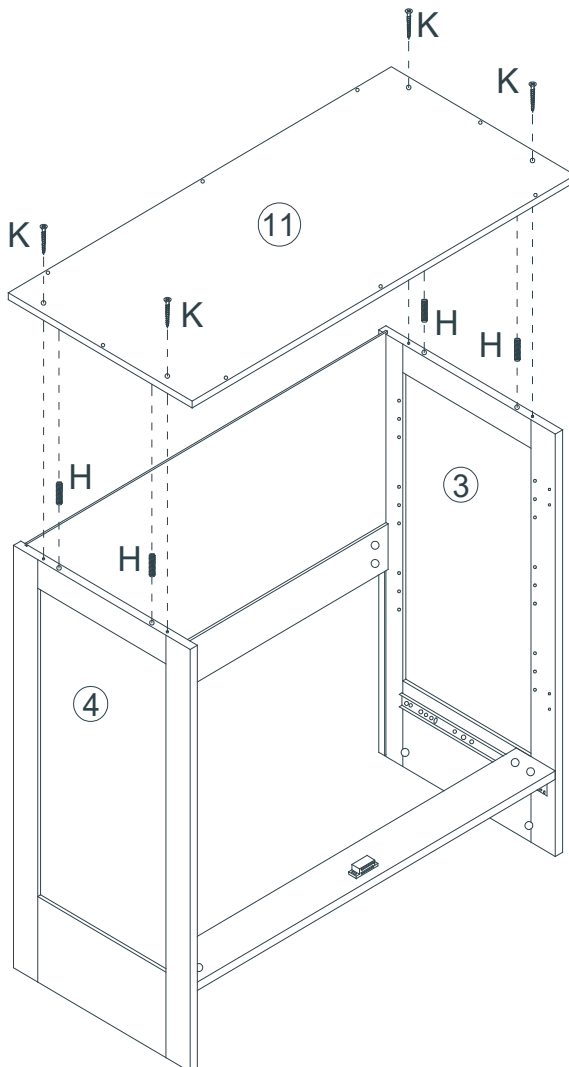
Hardware Needed		
B		X8





Step 3



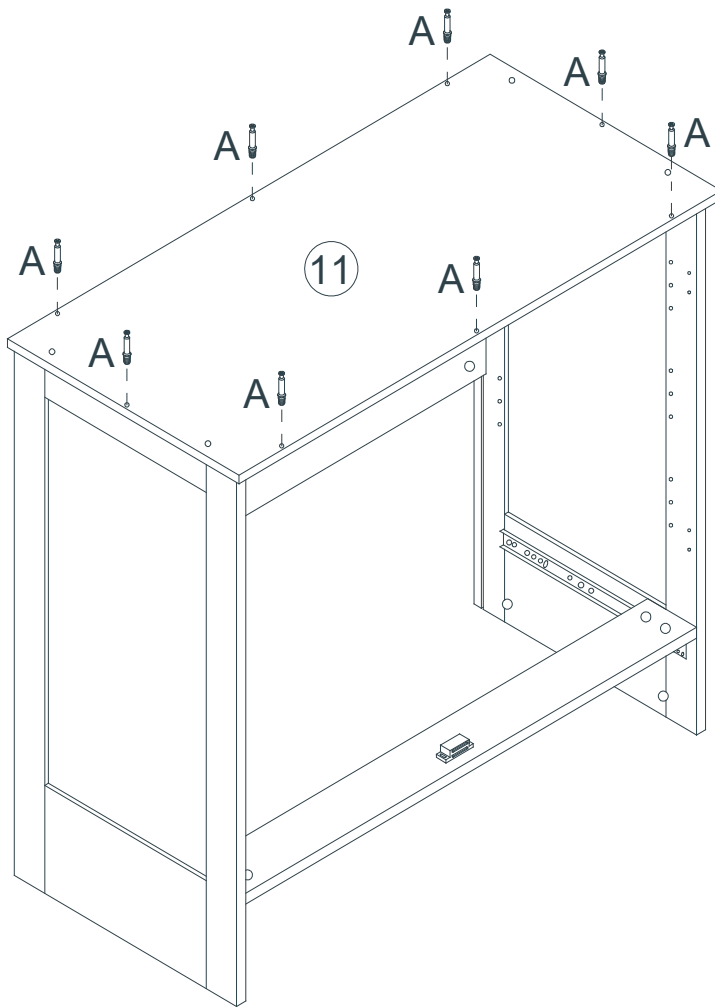
Step 4




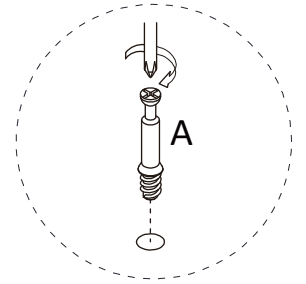
Hardware Needed

H		X4
K		X4

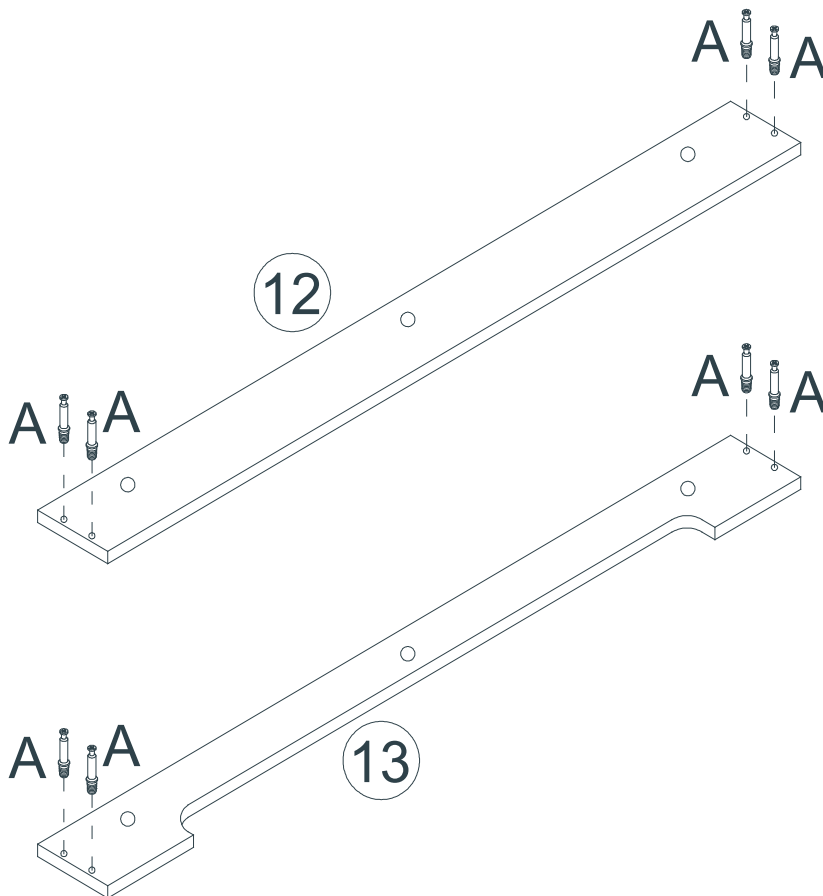
Step 5




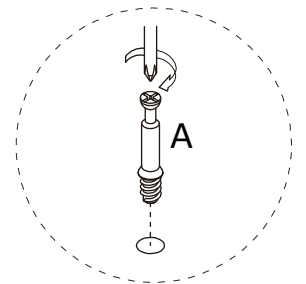
Hardware Needed		
A		X8



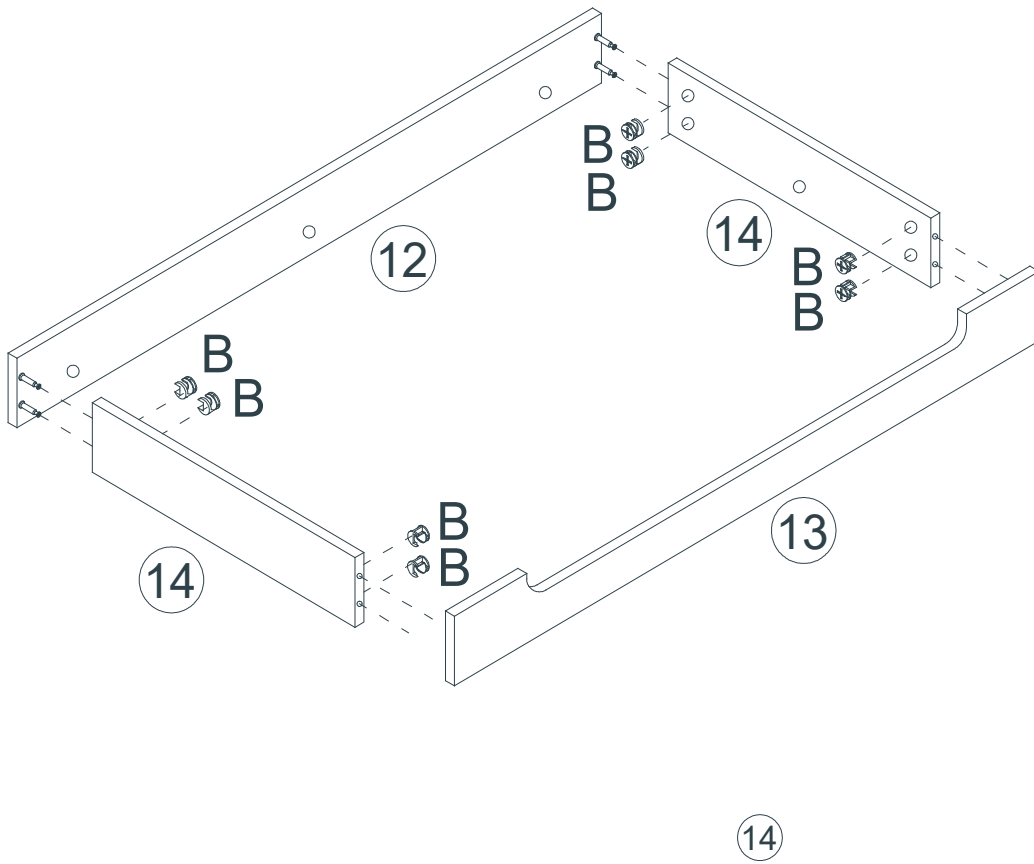
Step 6




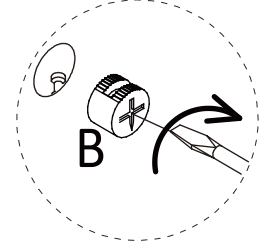
Hardware Needed		
A		X8



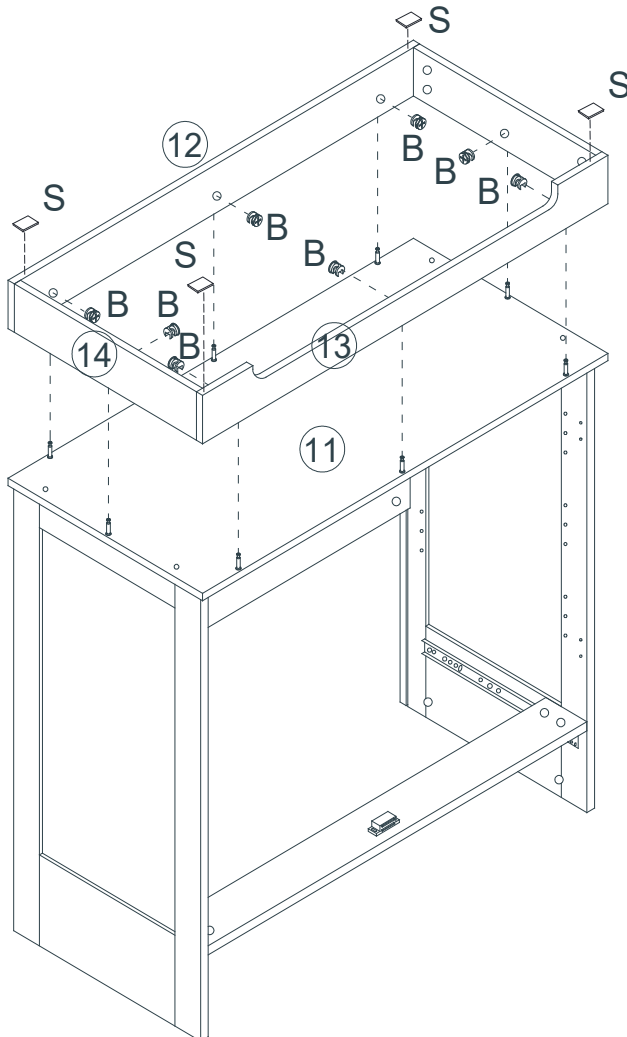
Step 7


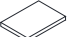


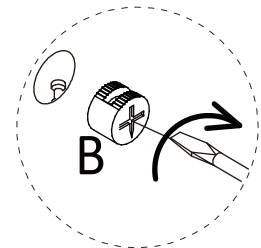
Hardware Needed		
B		X8



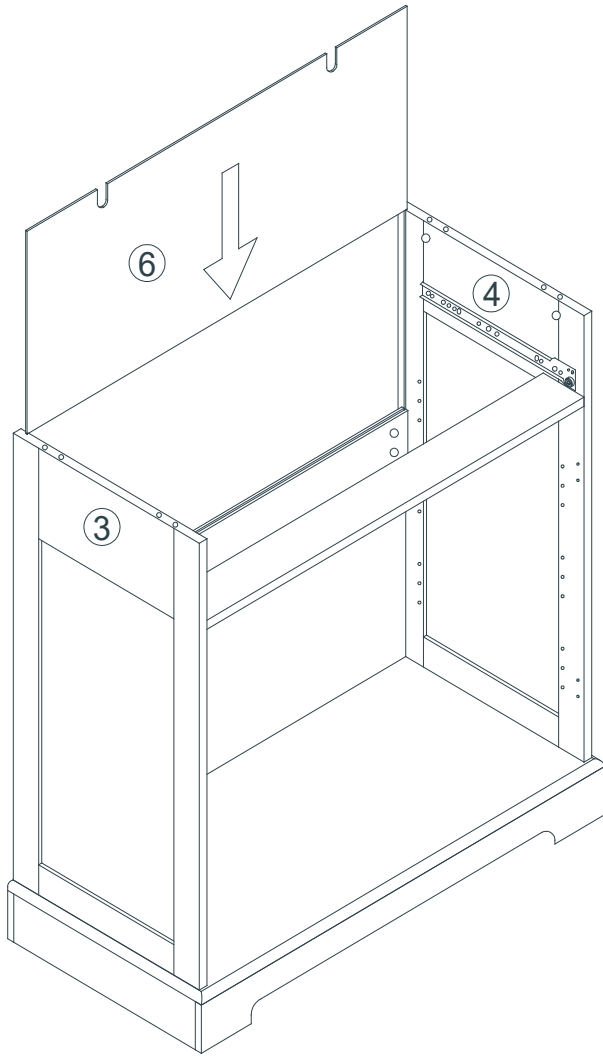
Step 8



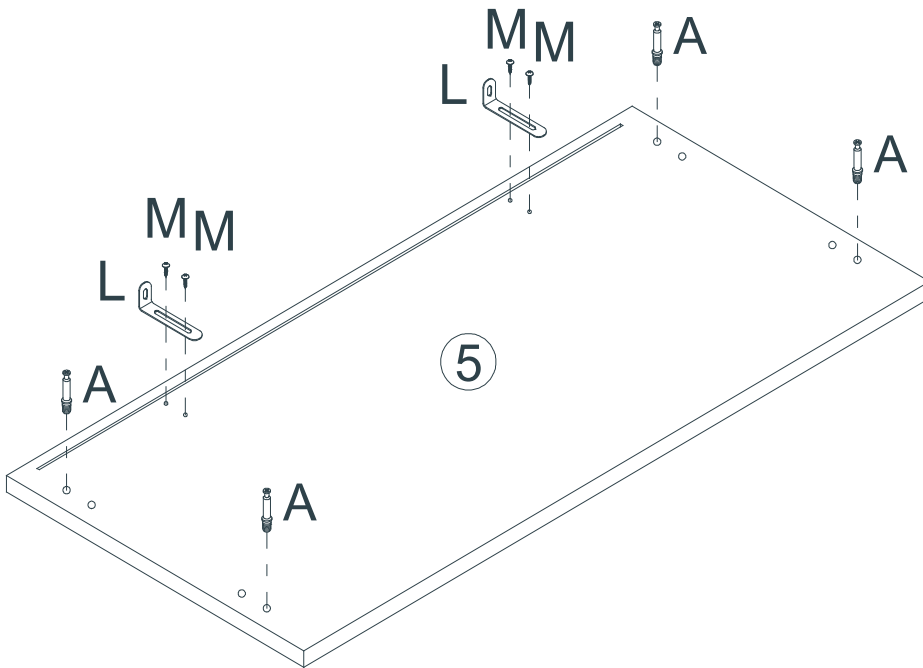
Hardware Needed		
B		X8
S		X4






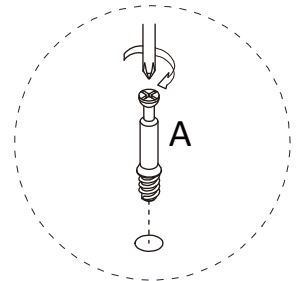
Step 9



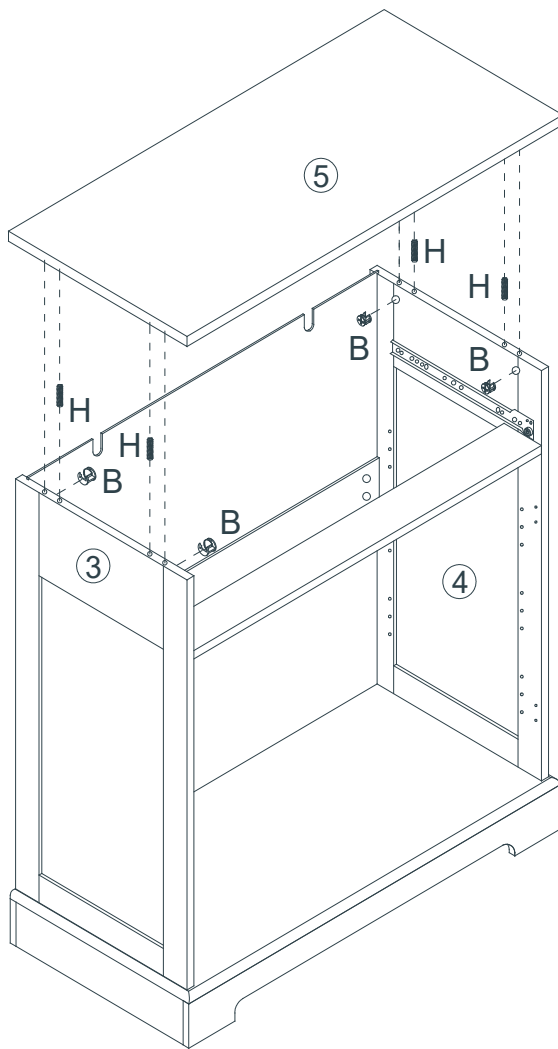
Step 10





Hardware Needed		
A		X4
L		X2
M		X4

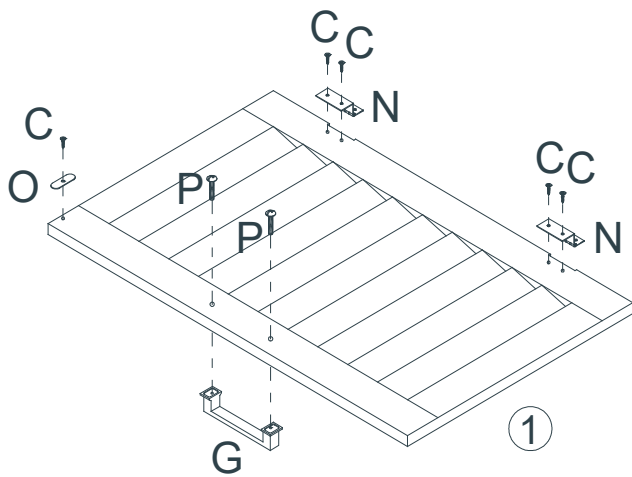





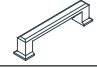

Step 11

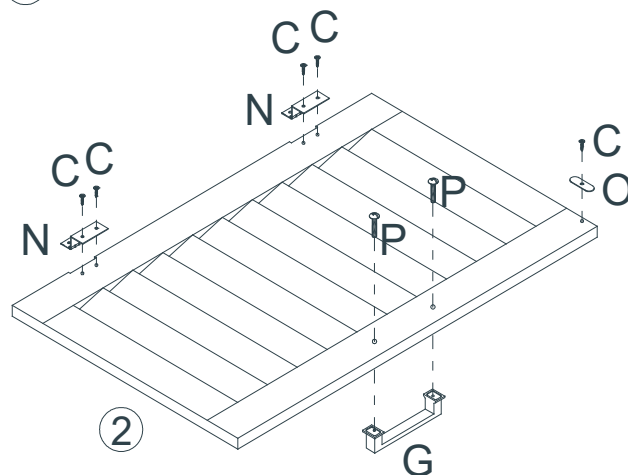
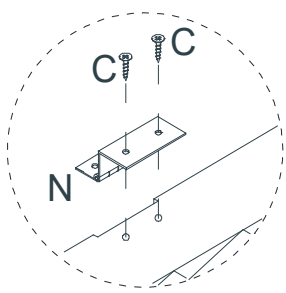


Hardware Needed		
B		X4
H		X4

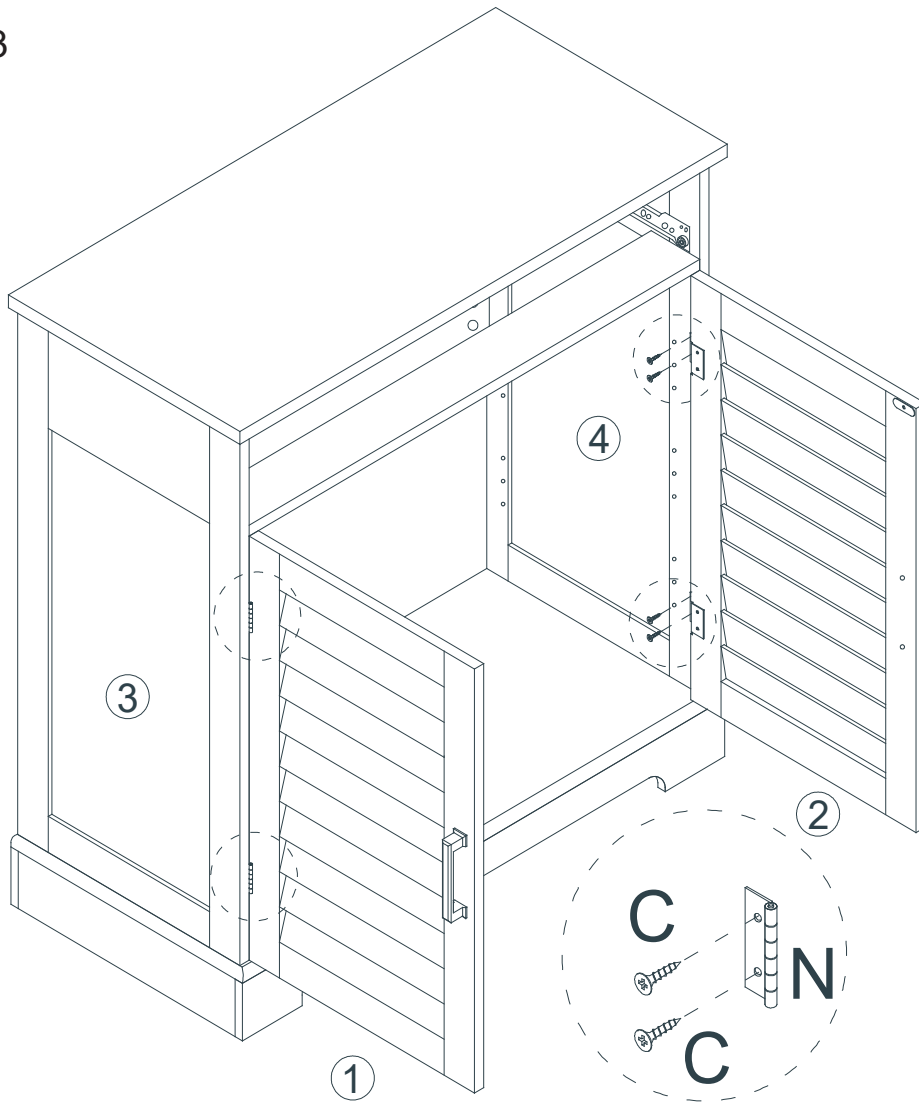
Step 12




Hardware Needed		
N		X4
C		X10
O		X2
G		X2
P		X4

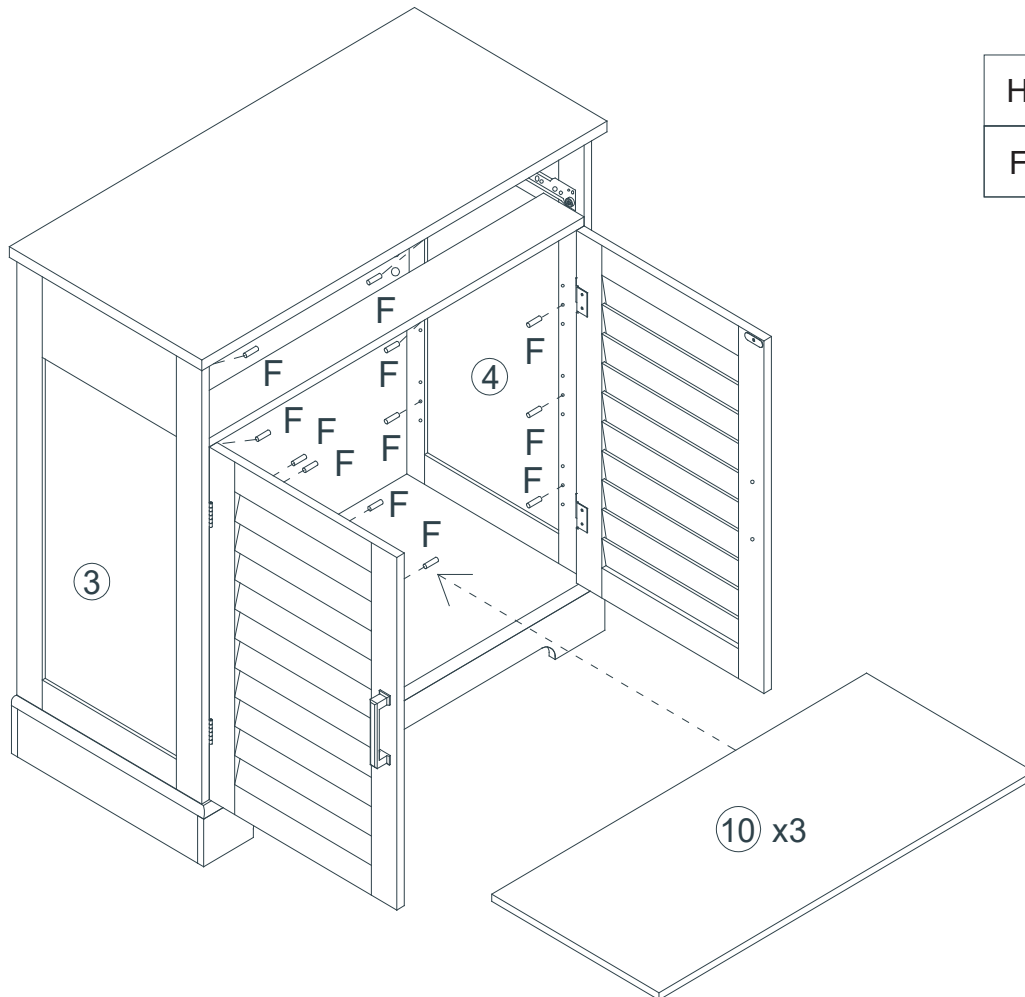



Step 13



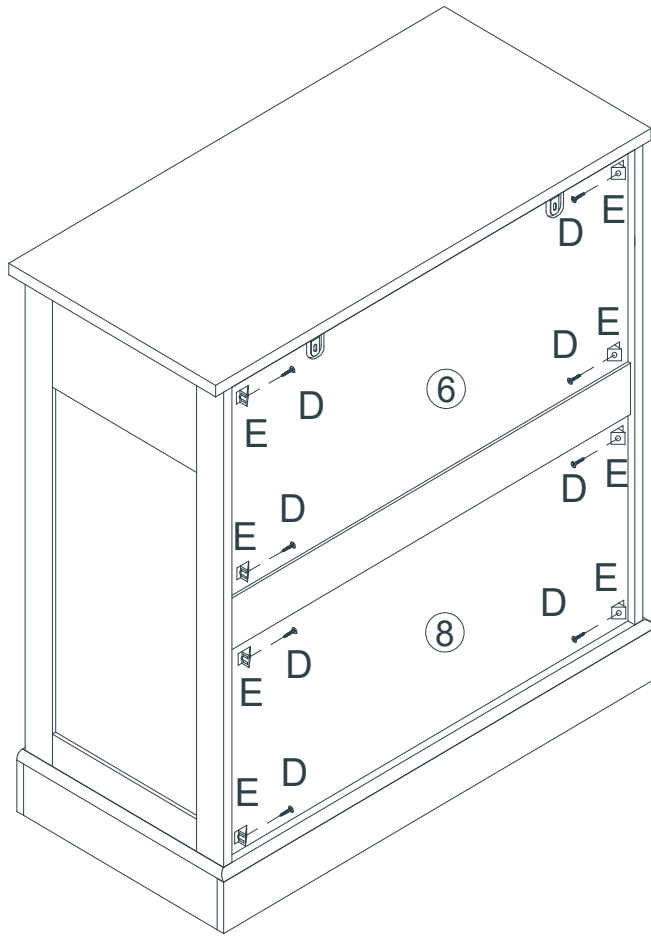
Hardware Needed		
C		X8



Step 14

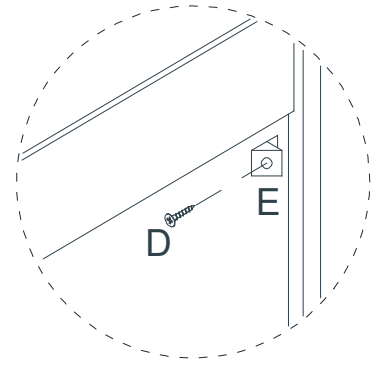


Hardware Needed		
F		X12

Step 15

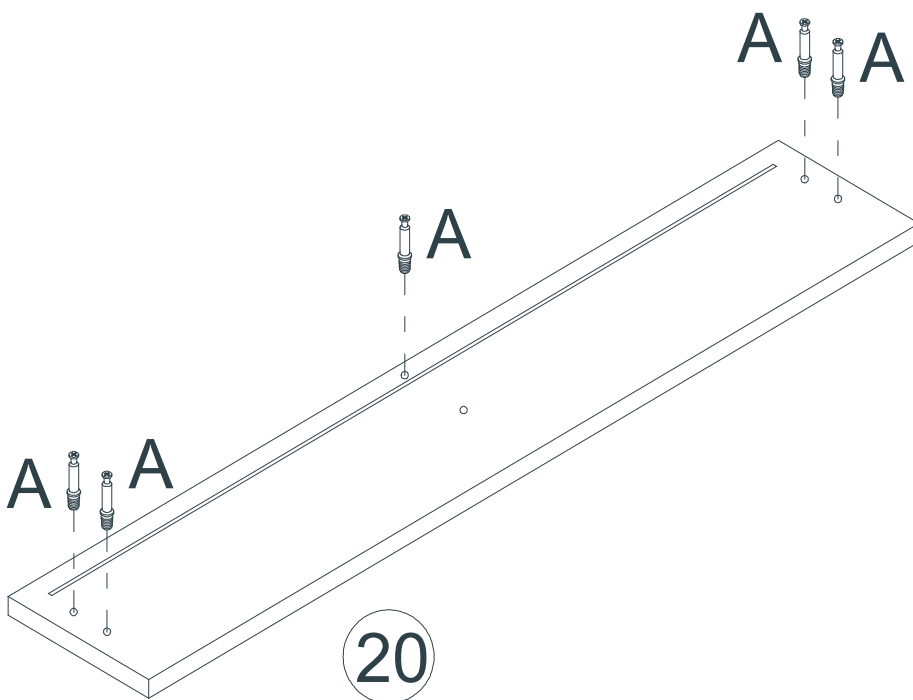



Hardware Needed		
E		X8
D		X8

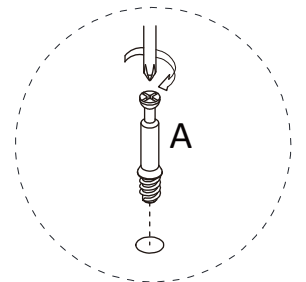


Push the Top Panel and swing it from side to side to align the two doors, and then attach the Rear Panel Hooks (E) to the back panels using Screw (D).

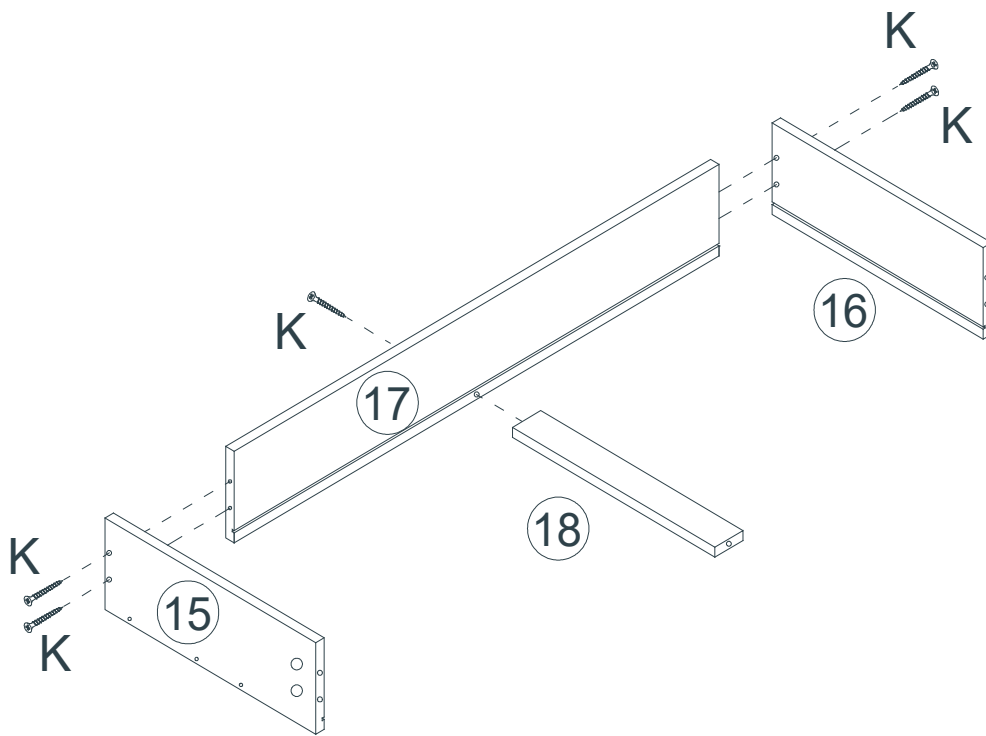
Step 16




Hardware Needed		
A		X5

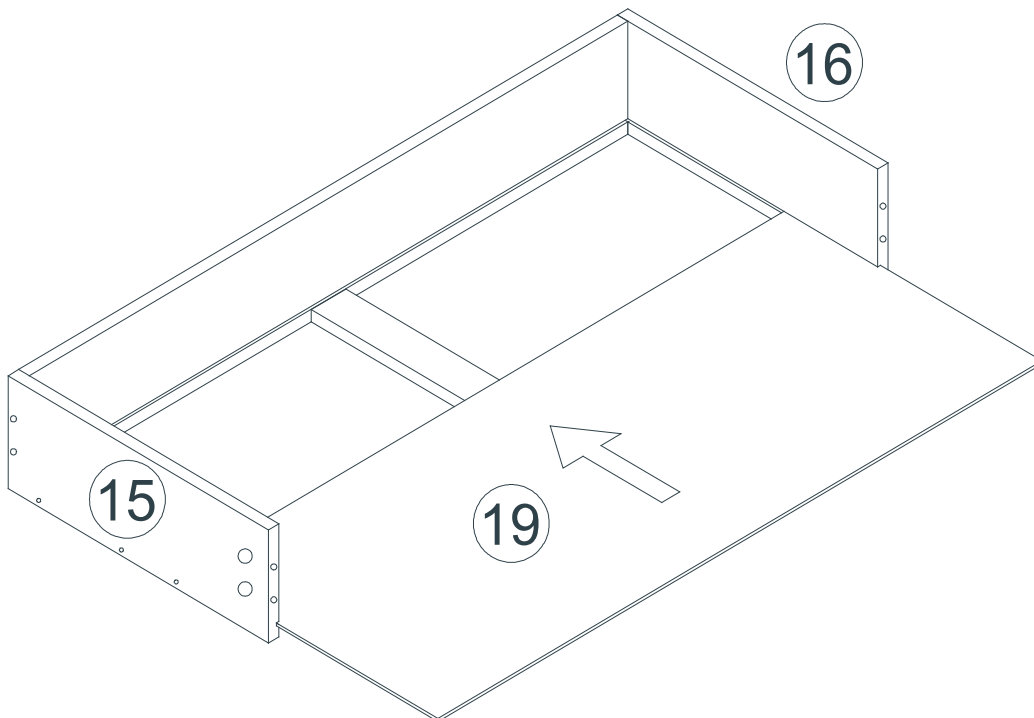


Step 17






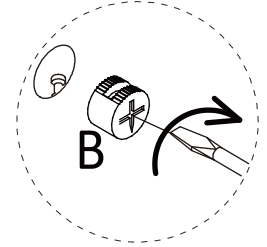
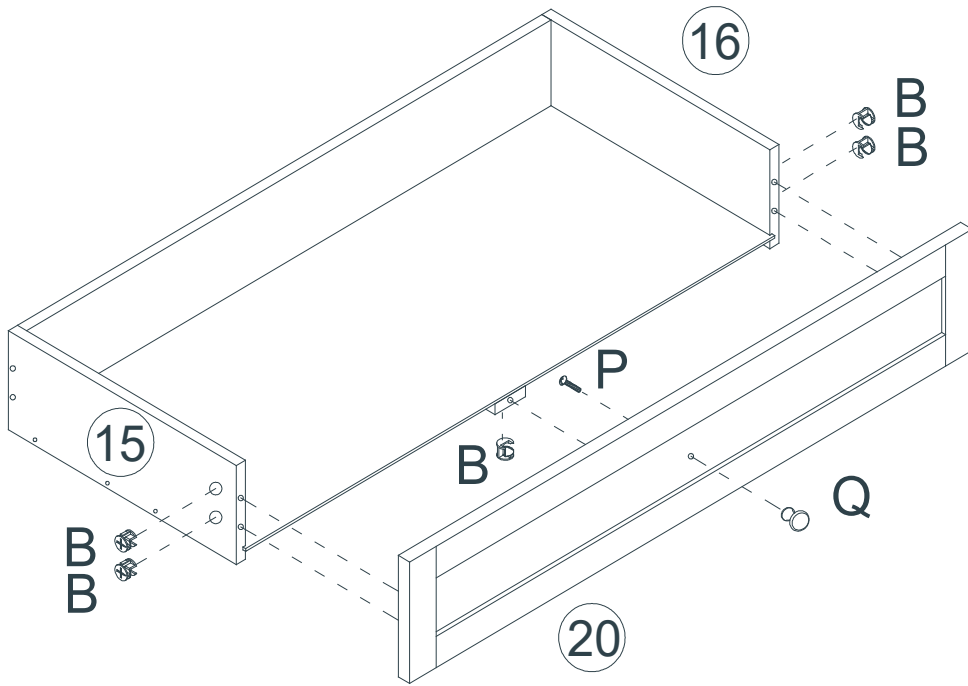
Hardware Needed		
K		X5

Step 18






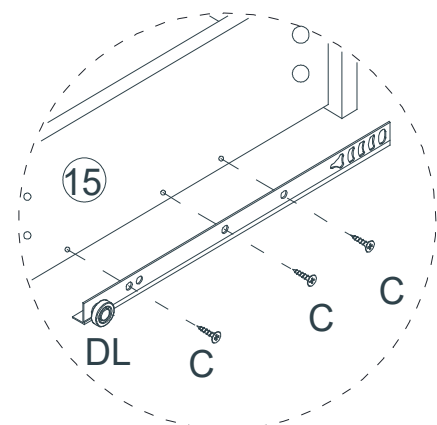
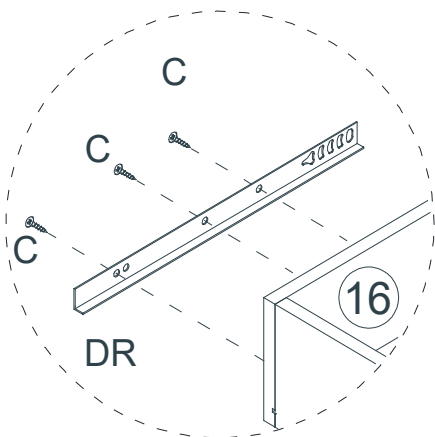
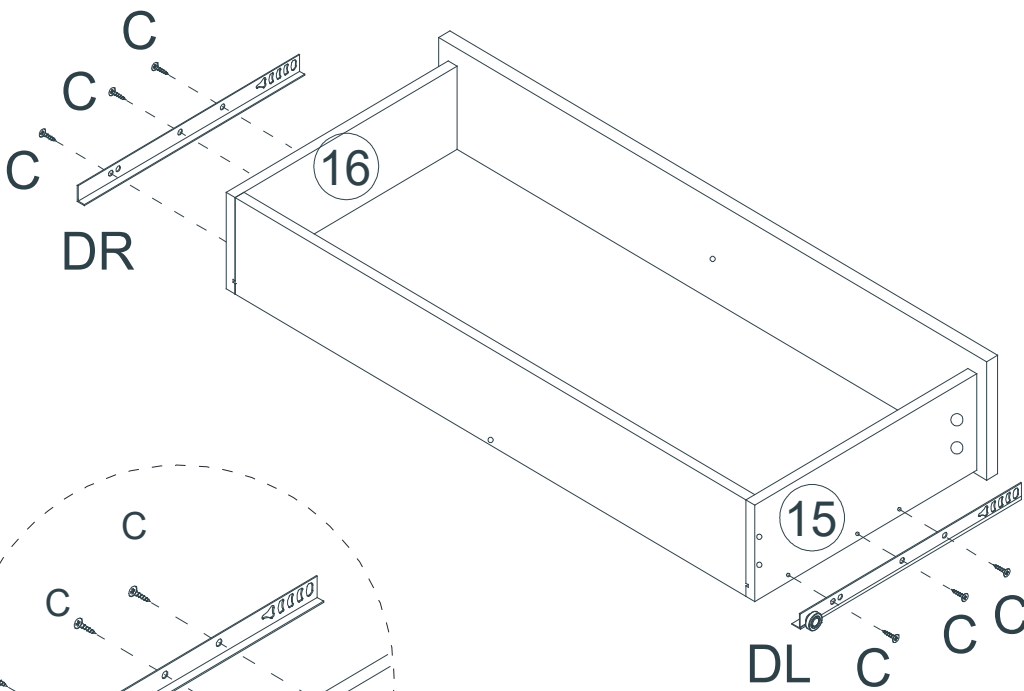
Step 19

Hardware Needed		
B		X5
Q		X1
P		X1

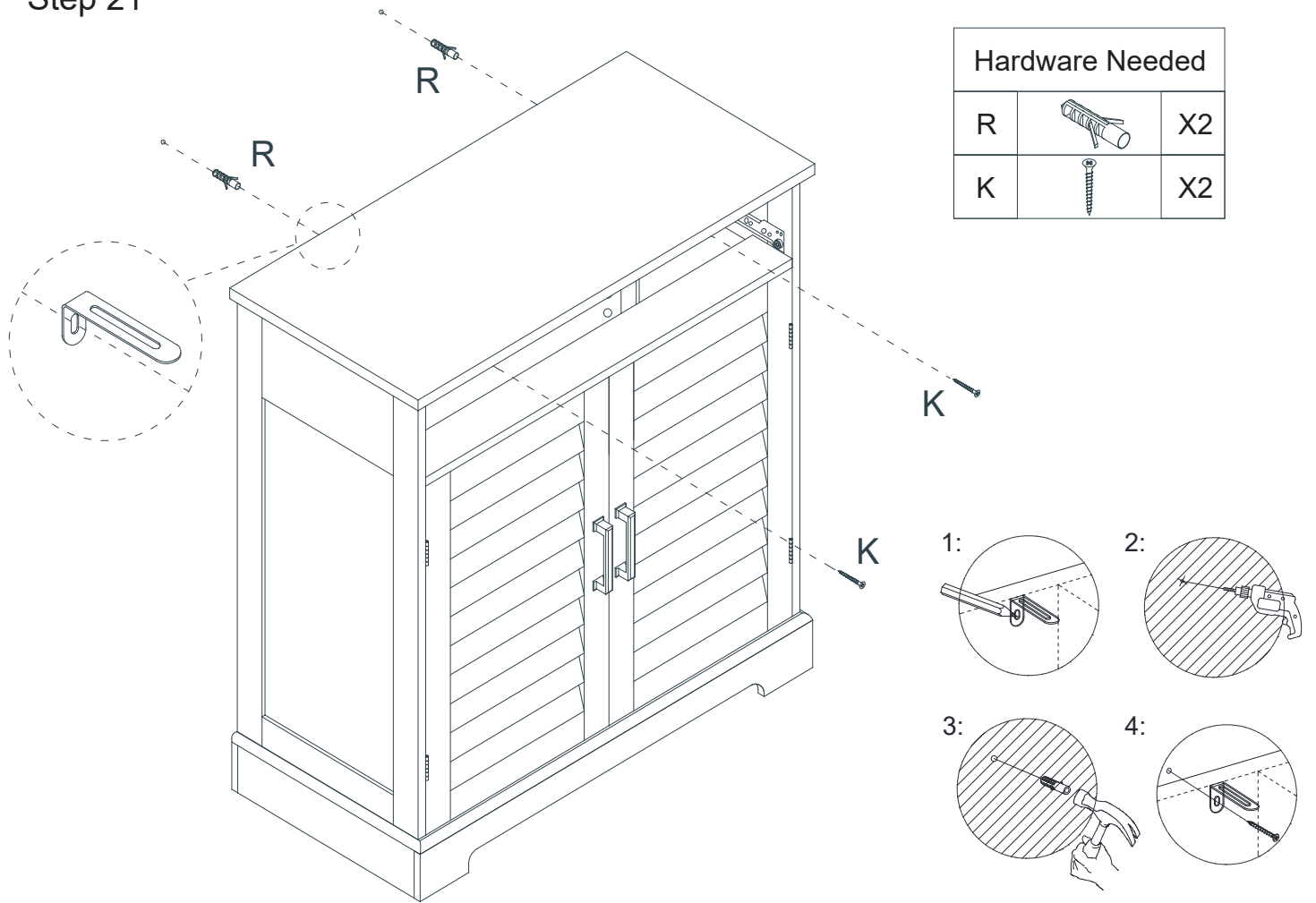


Step 20

Hardware Needed		
C		X6
DL		X1
DR		X1



Step 21



Step 22

