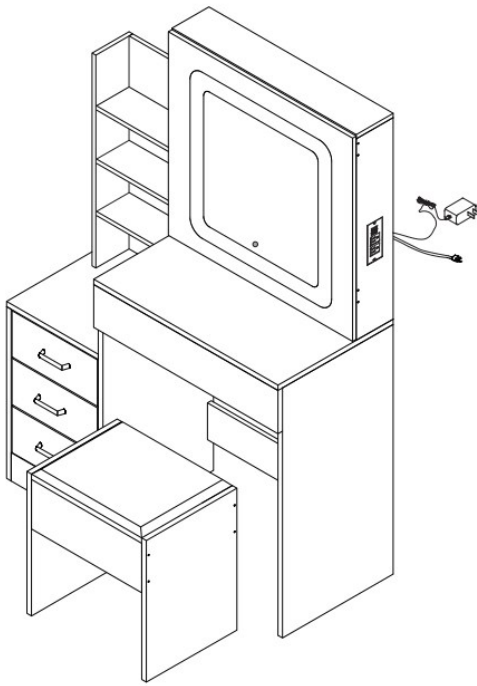
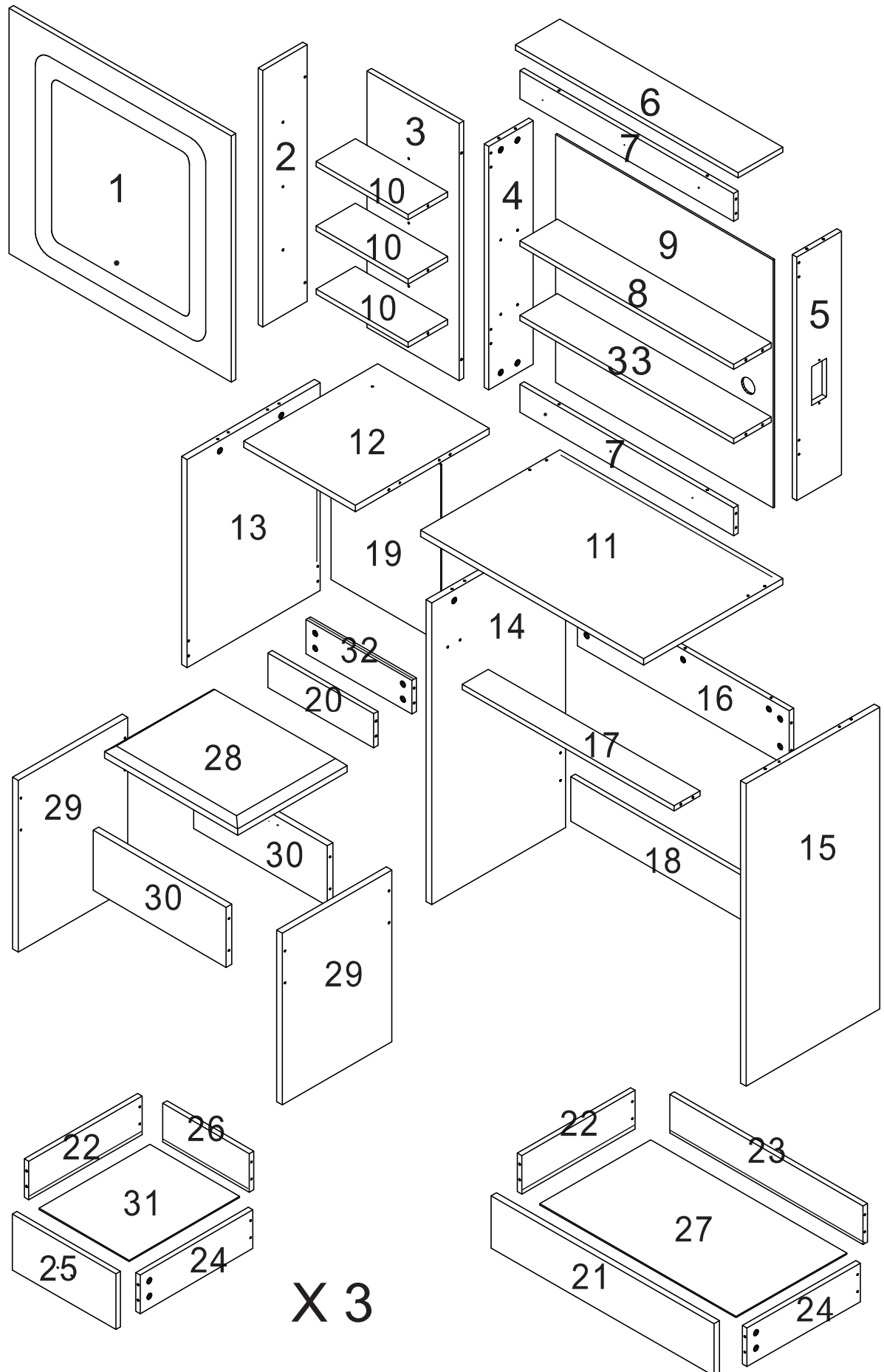


# Vanity



# Part list



# Hardware list


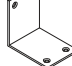
A  X 75 B  X 75

C  CR  
 DR X 4 D  D1 X 2  
 CL  
 DL D2

E  X 55 F  X 36

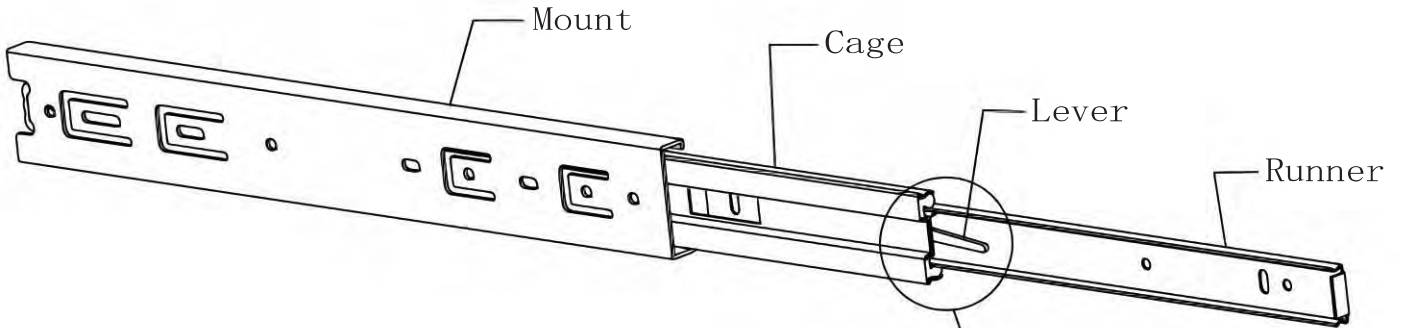
G  X 6 H  X 3

J  X 1 K  X 1

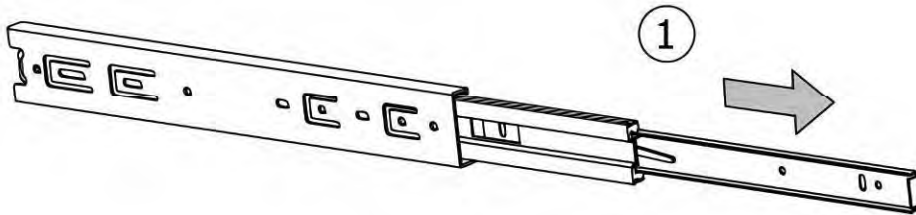
L  X 8 M  X 2

# Warm Reminder

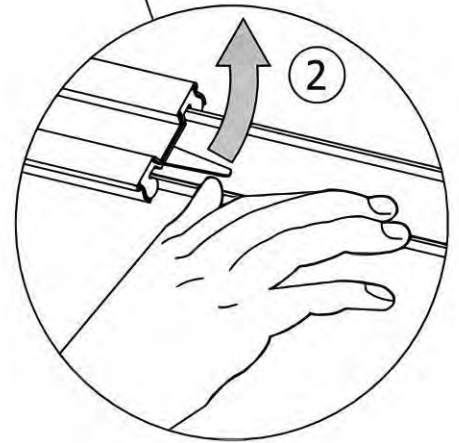
Before installing the drawer rail, you need to separate the Part-1 and Part-2 first.



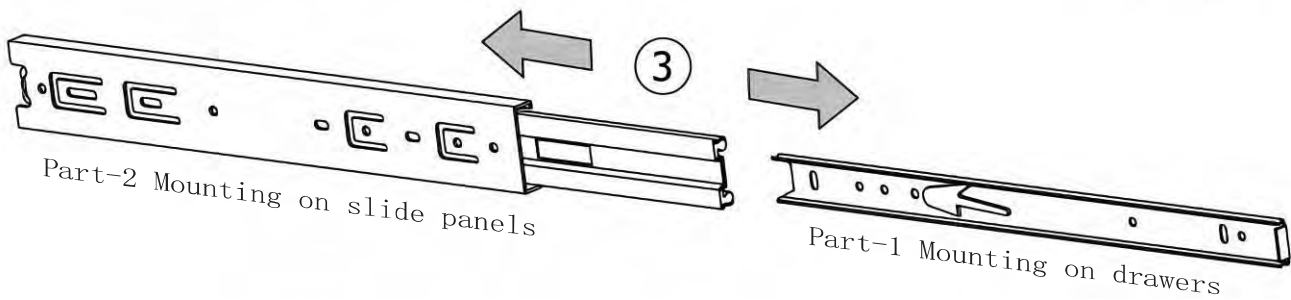
STEP 1: Extend Slider



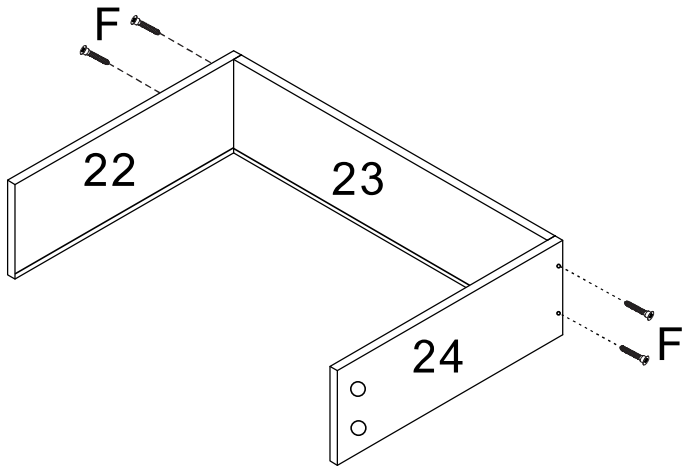
STEP 2: Push Lever Up



STEP 3: Remove Runner

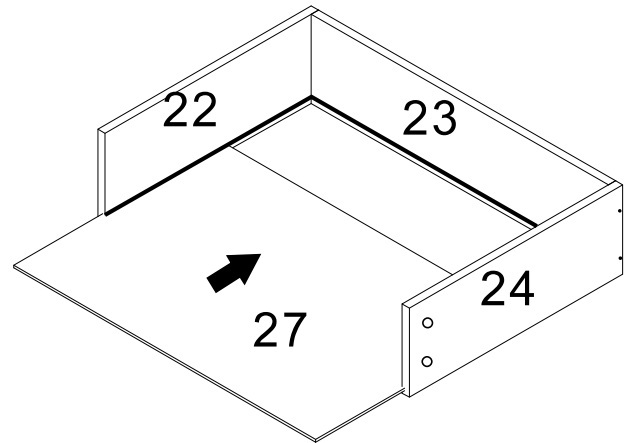


### STEP 1

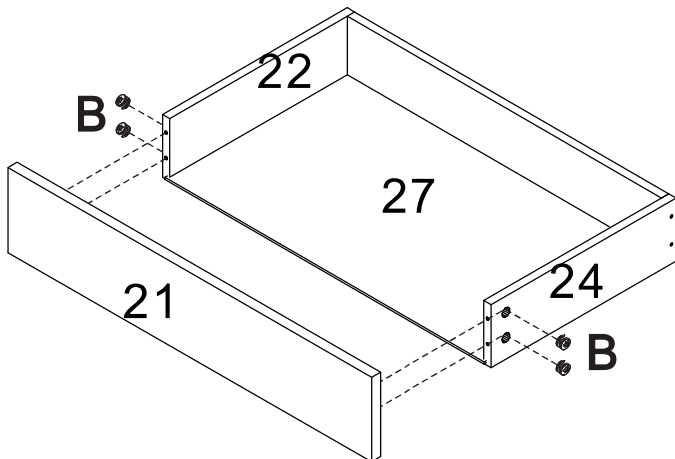
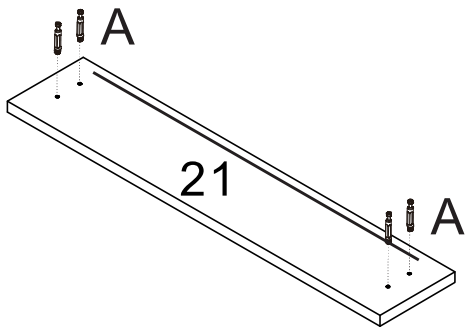


F X 4

### STEP 2

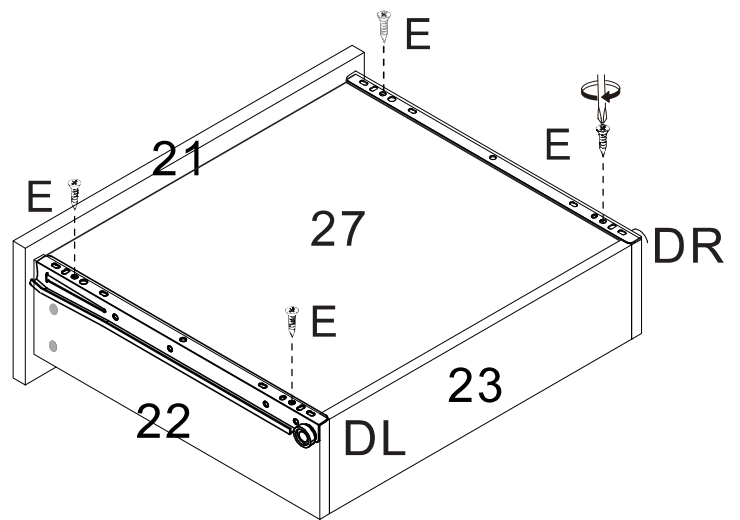


### STEP 3



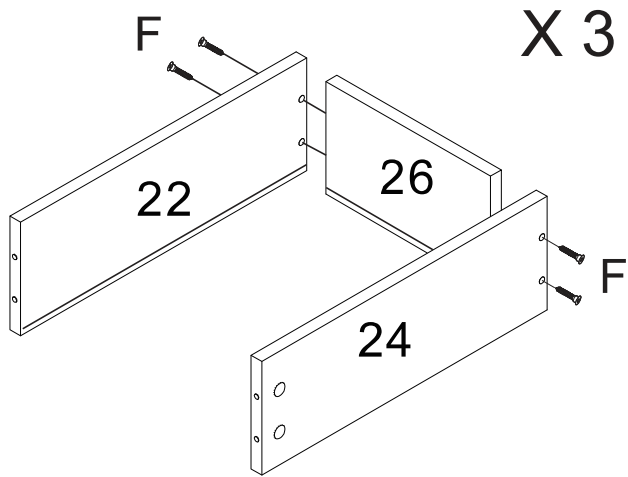
A X 4  
B X 4

### STEP 4



DR x 1  
DL x 1  
E x 4

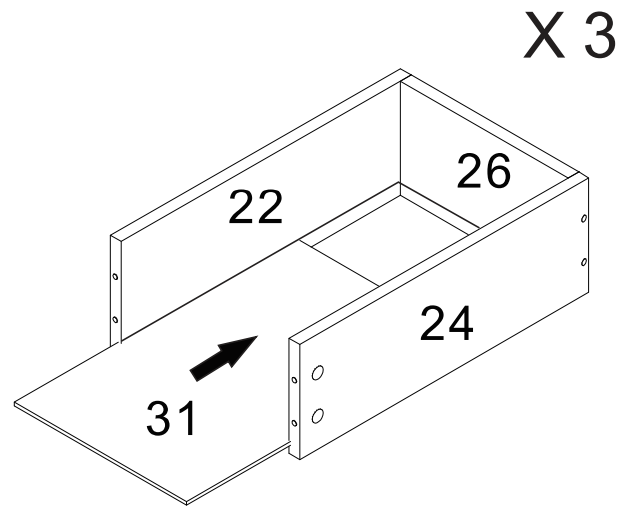
STEP 5



X 3

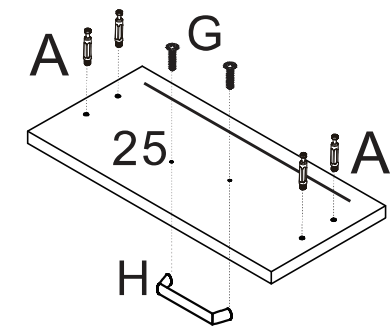
F X 12

STEP 6

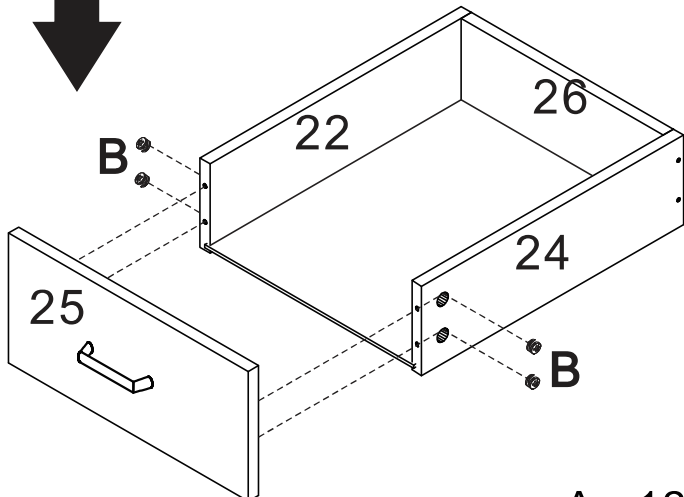


X 3

STEP 7

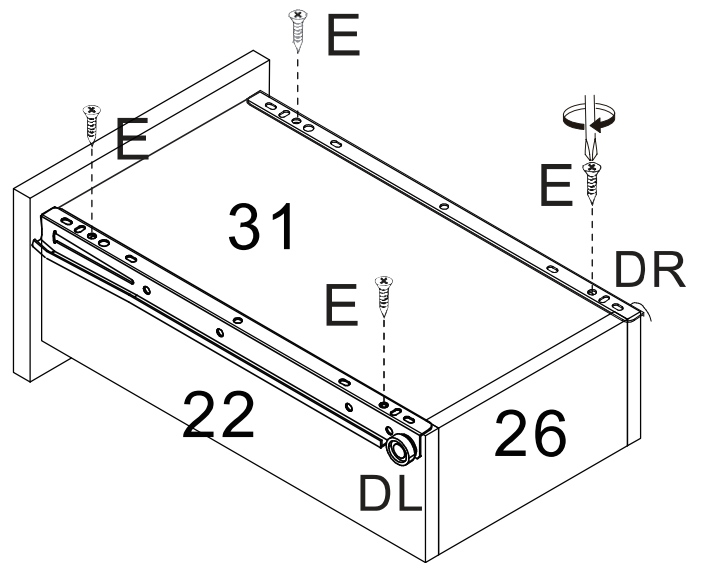


X 3



A x 12  
 B x 12  
 G x 6  
 H x 3

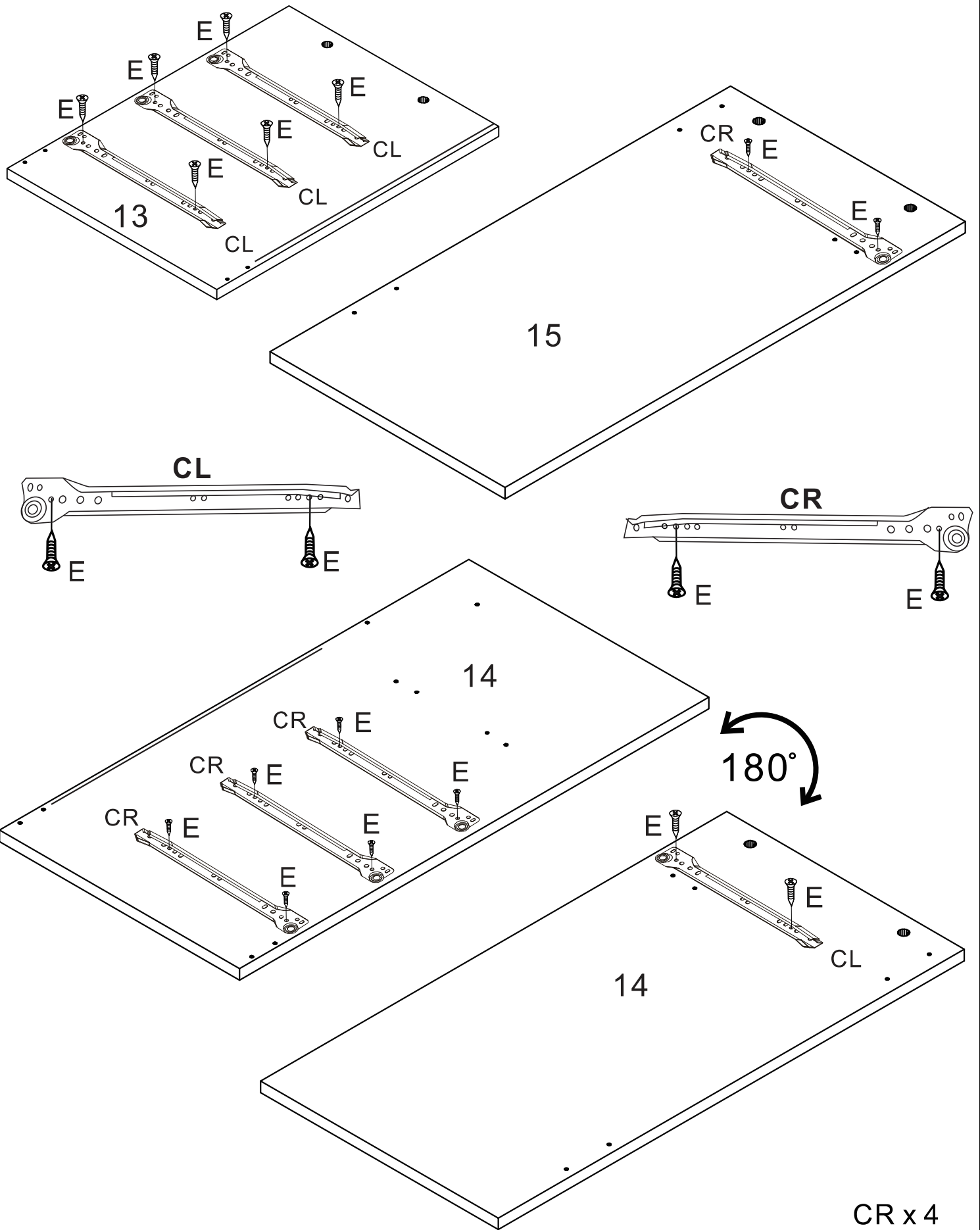
STEP 8



X 3

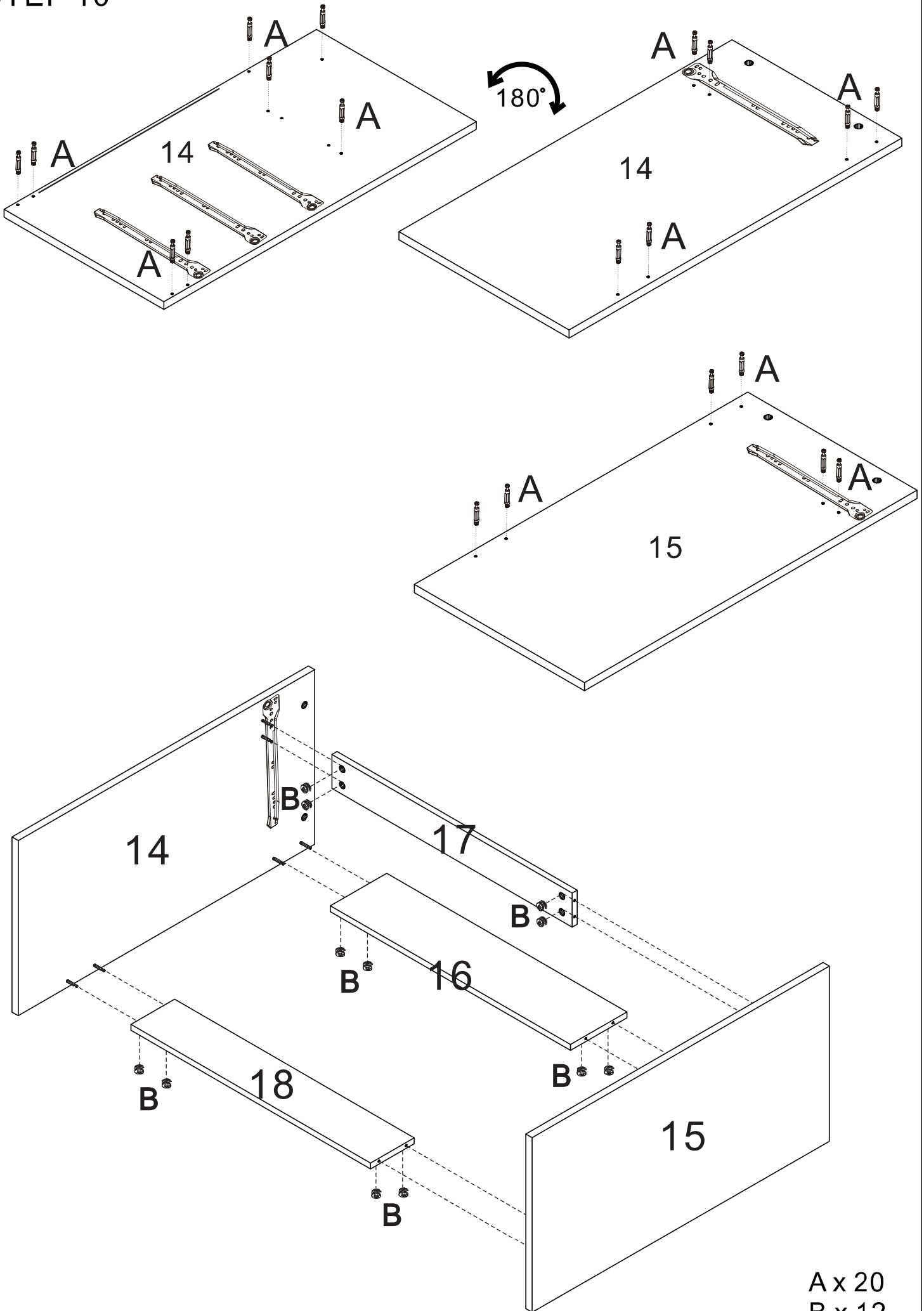
DR x 3  
 DL x 3  
 E x 12

# STEP 9

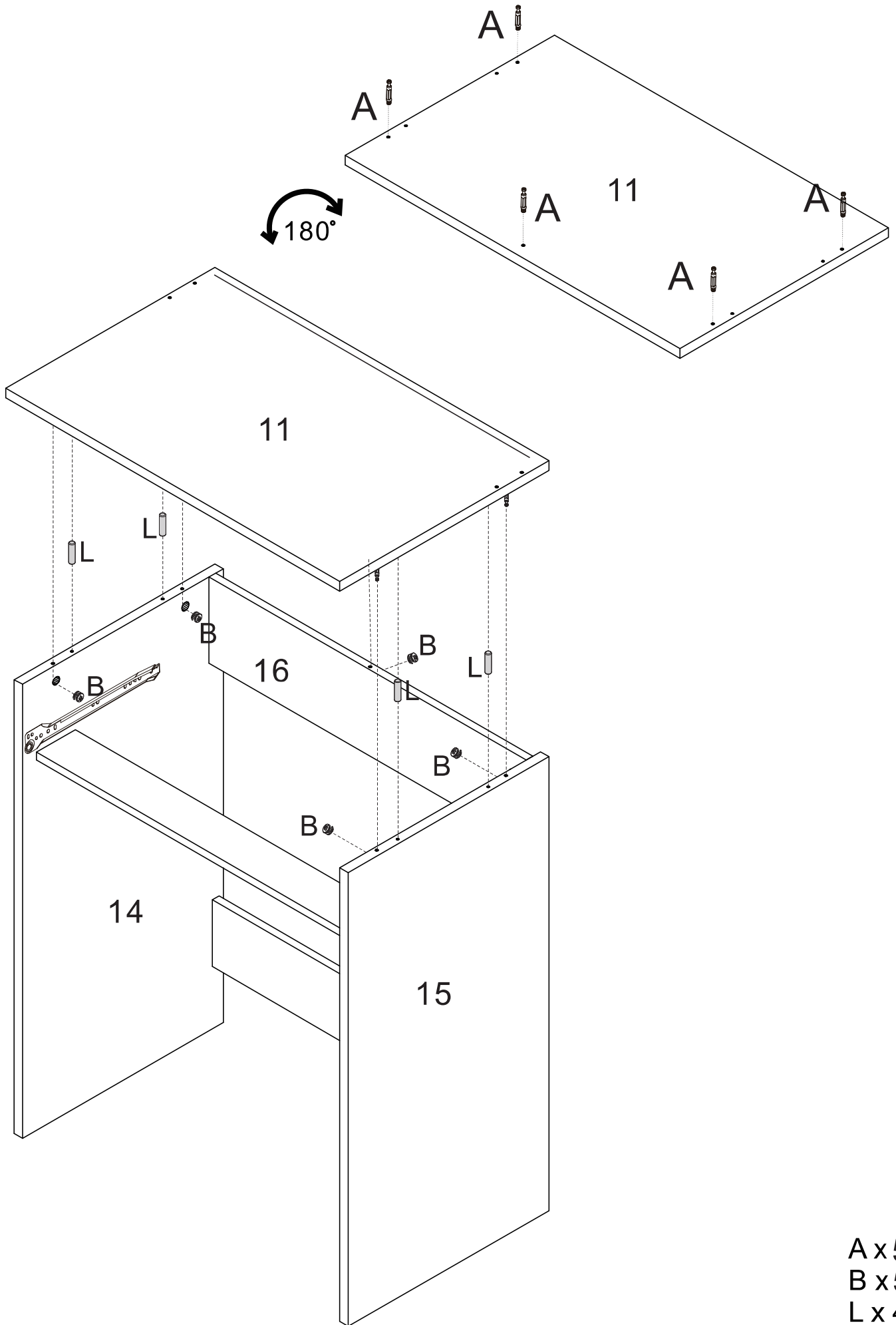


CR x 4  
CL x 4  
E x 16

# STEP 10

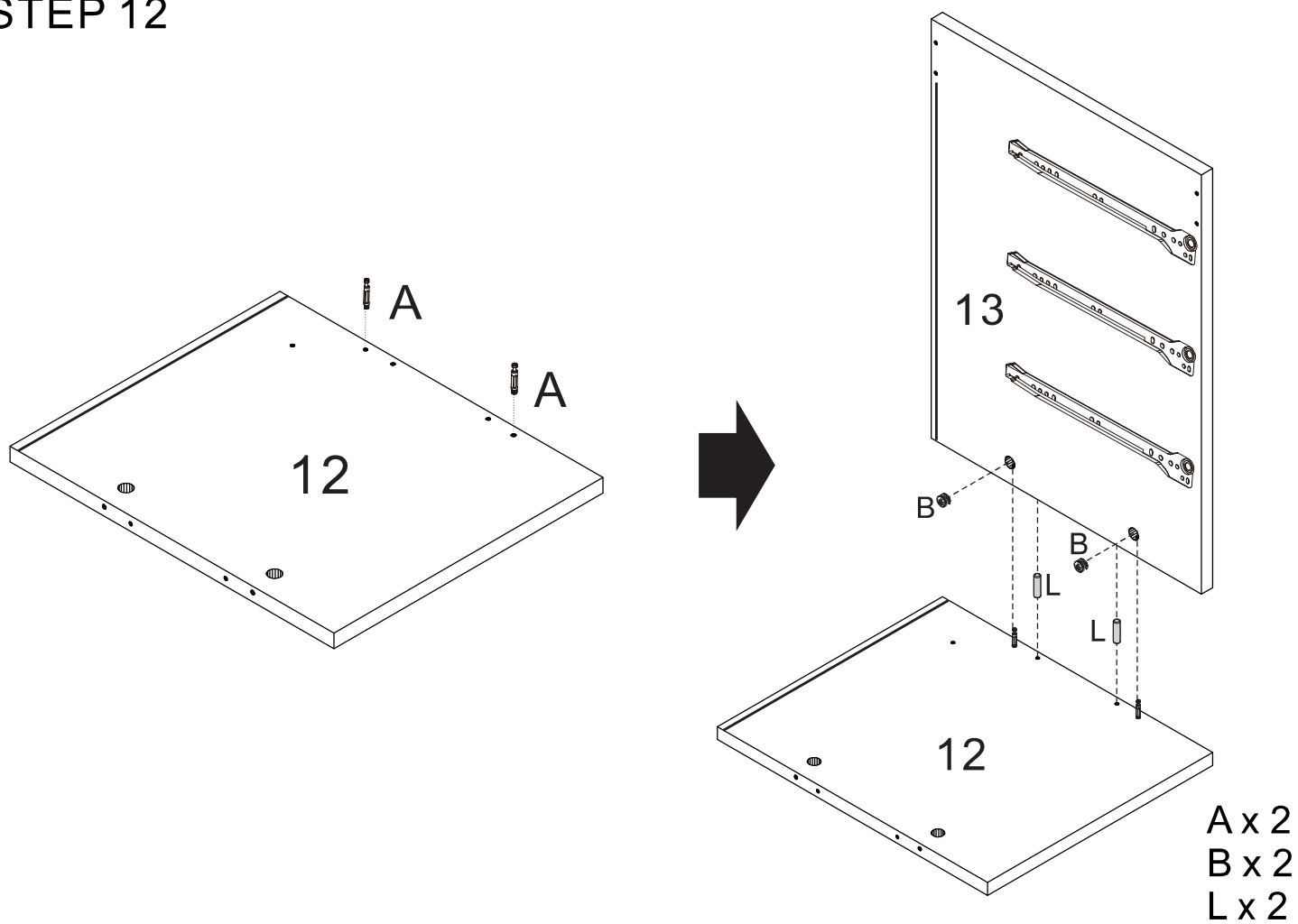


# STEP 11

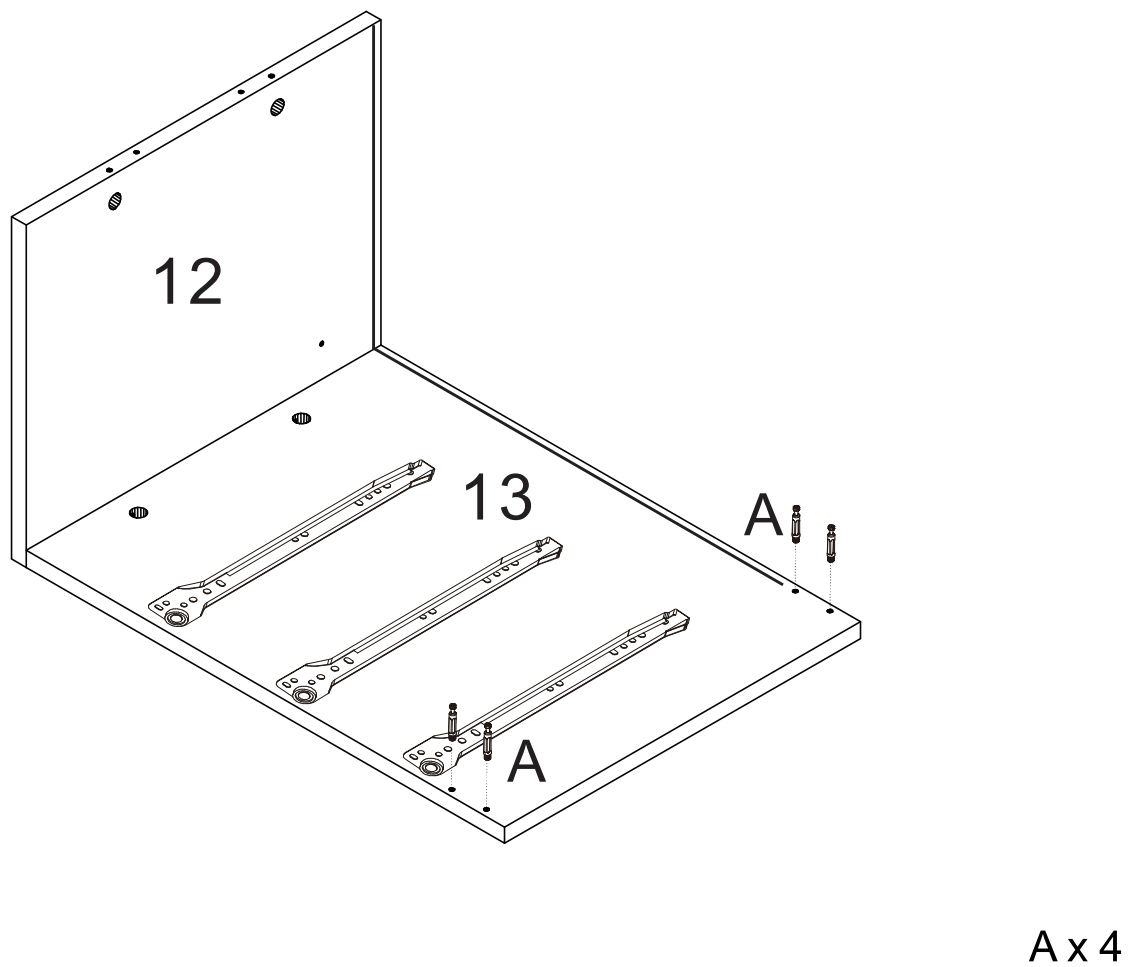


A x 5  
B x 5  
L x 4

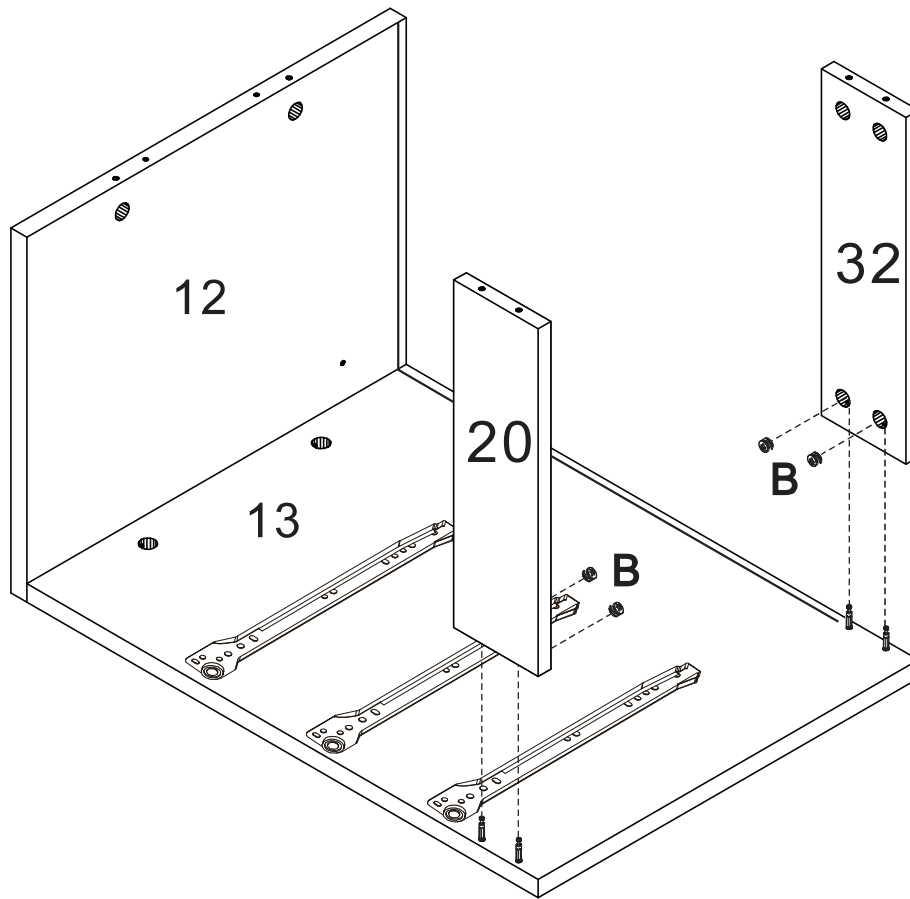
# STEP 12



# STEP 13

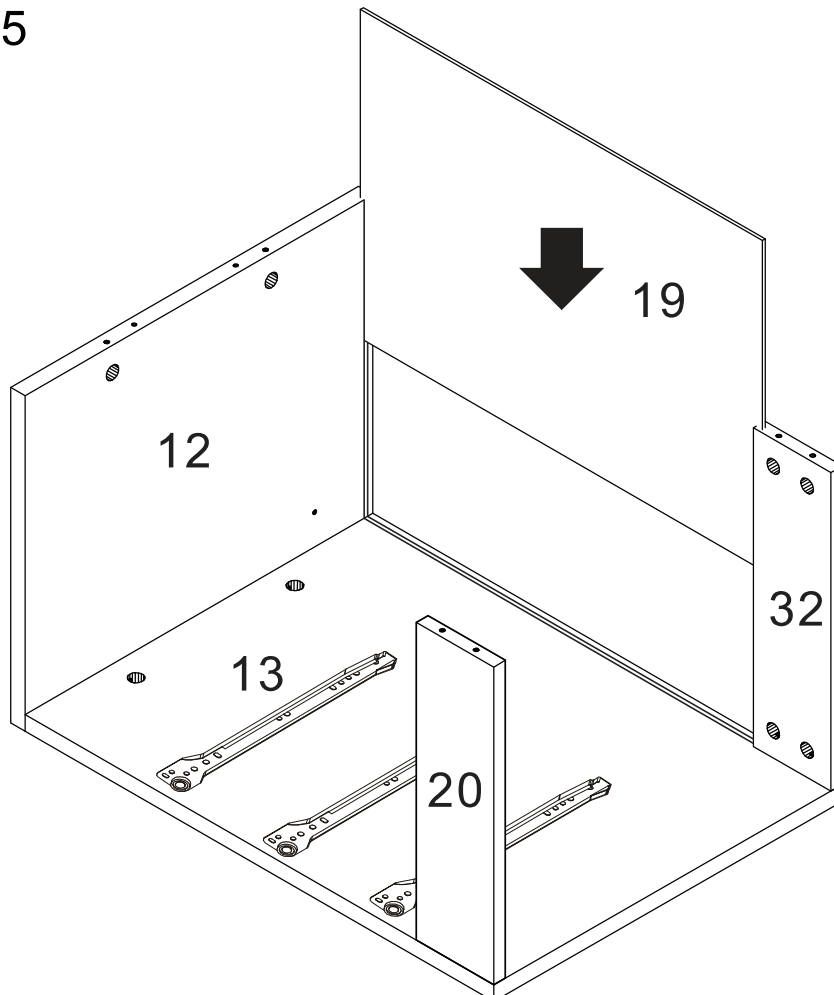


# STEP 14

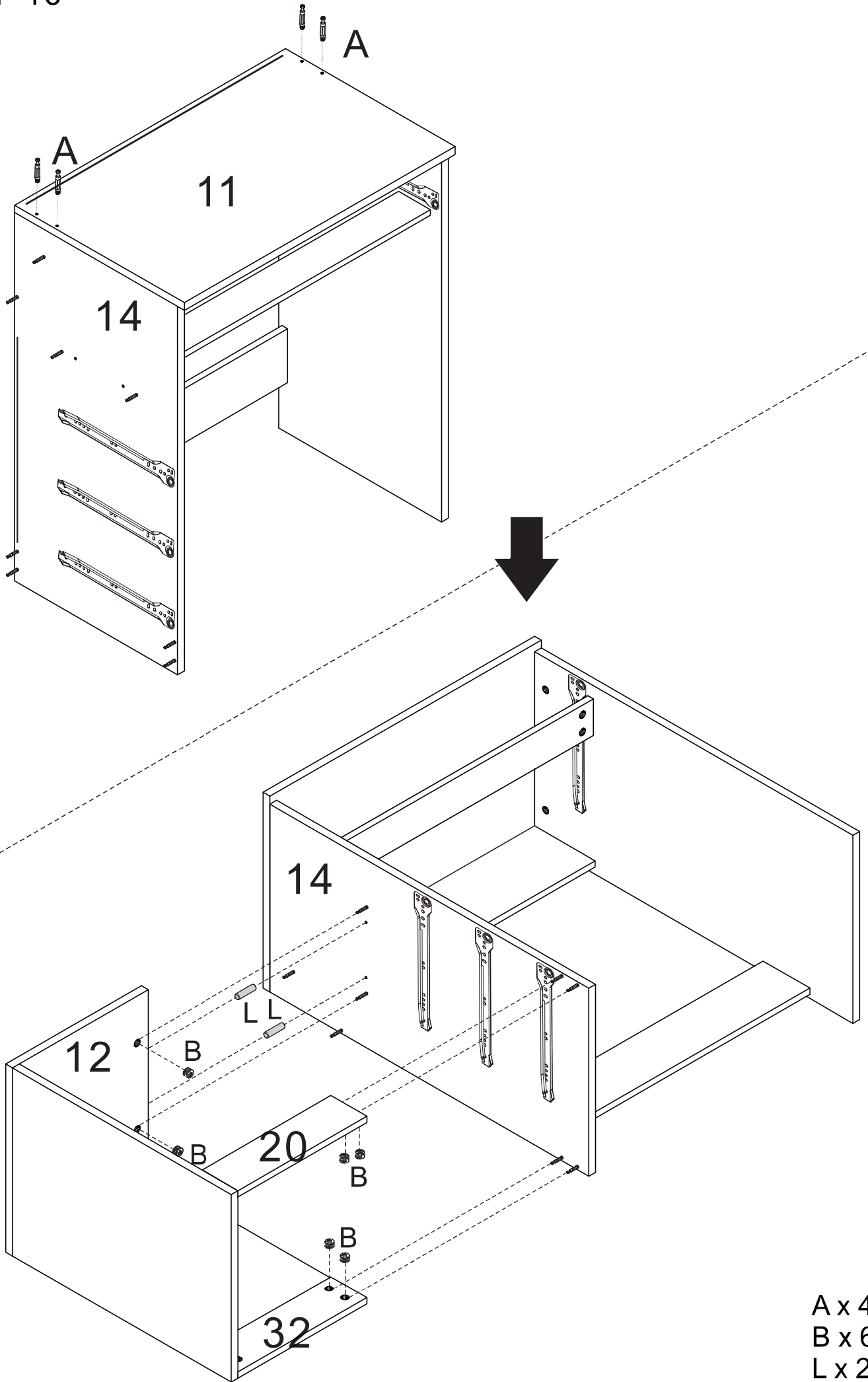


B x 4

# STEP 15

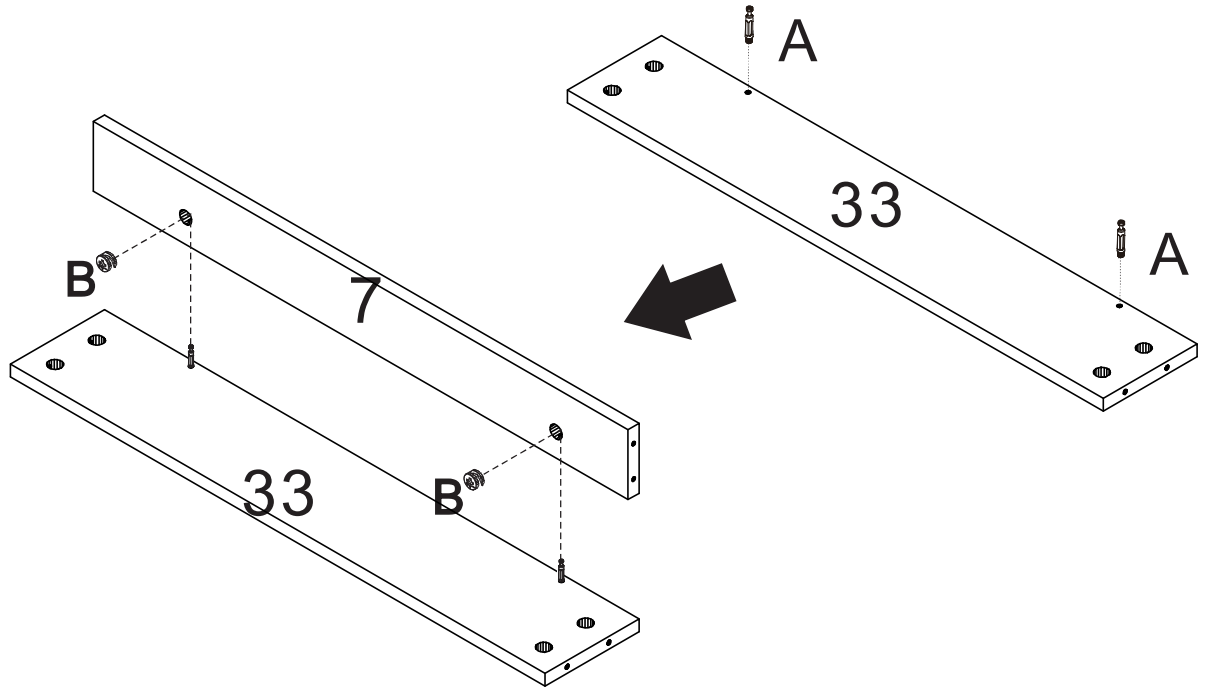


# STEP 16



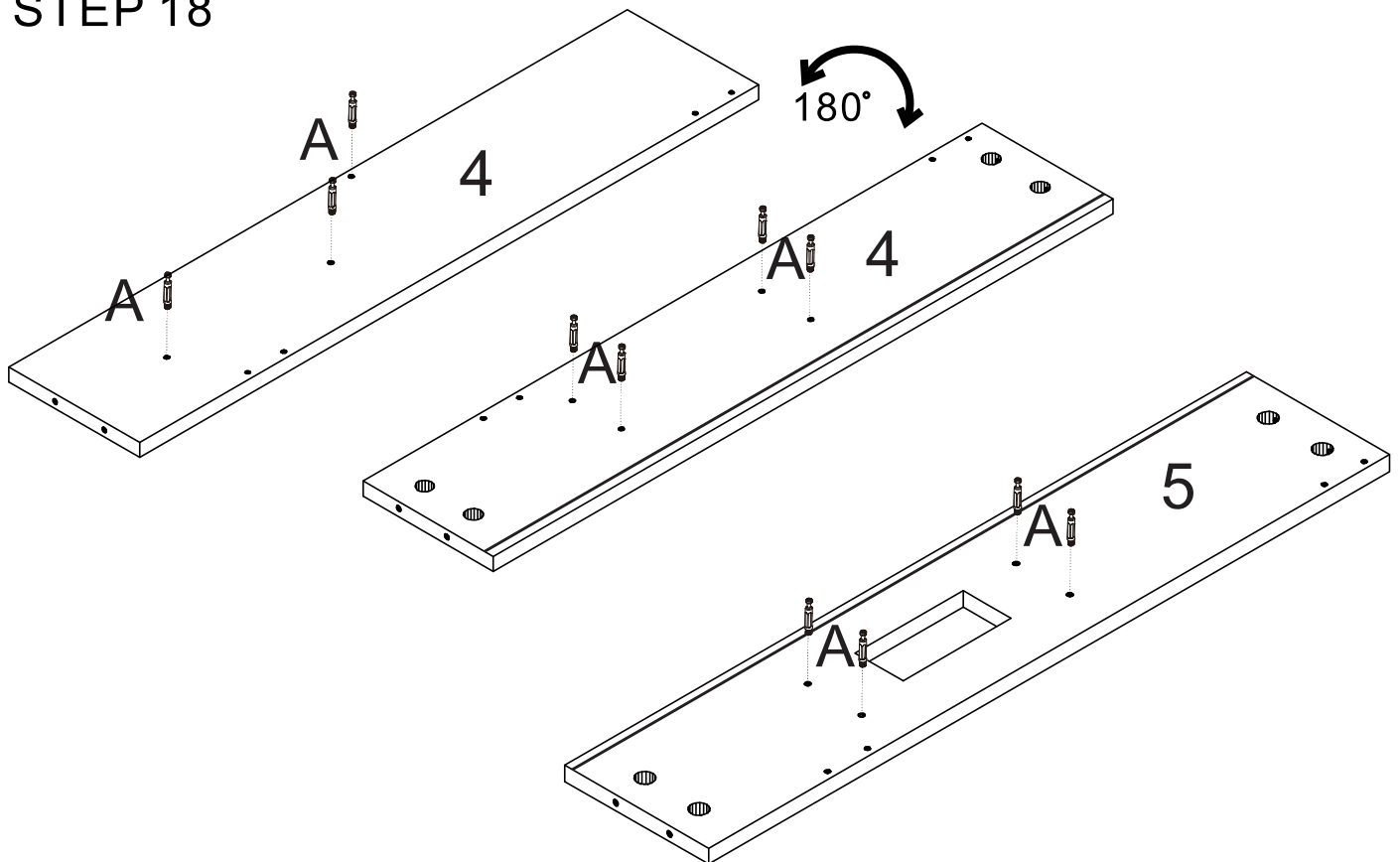
A x 4  
B x 6  
L x 2

# STEP 17



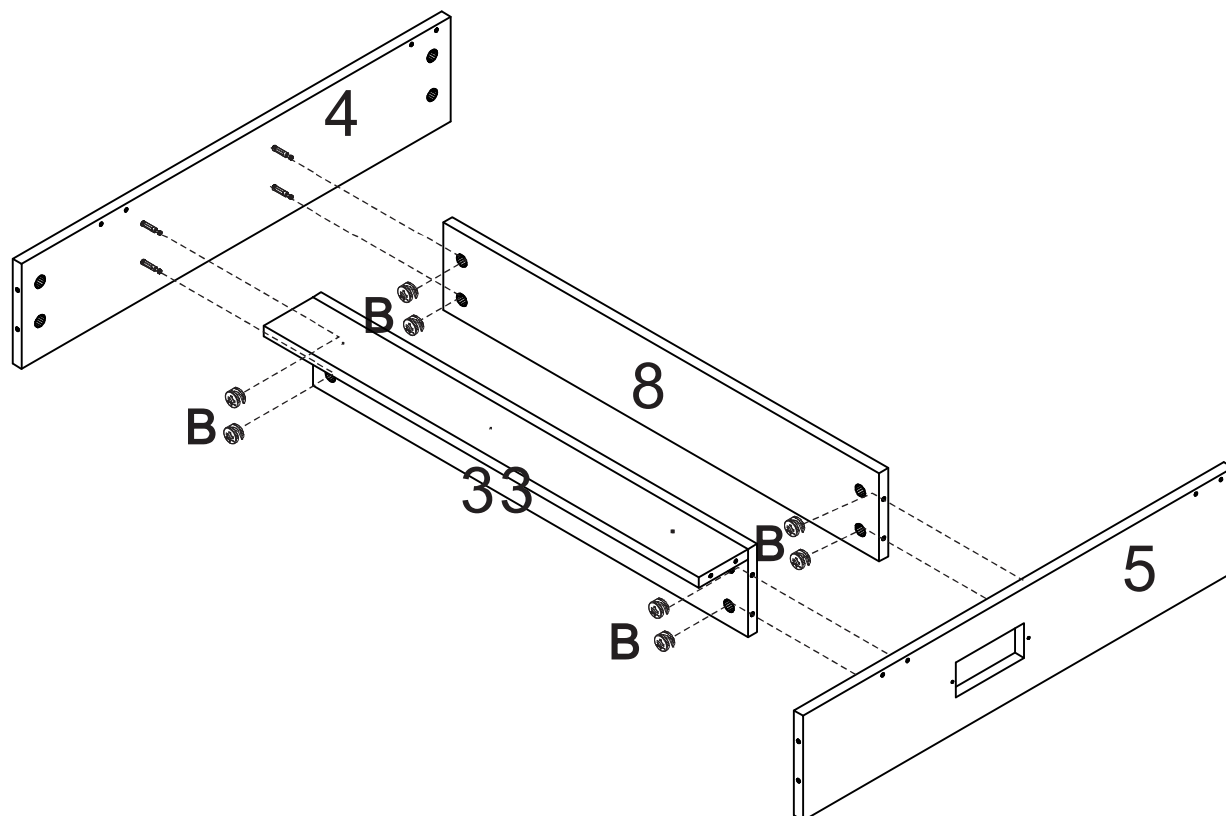
A x 2  
B x 2

# STEP 18



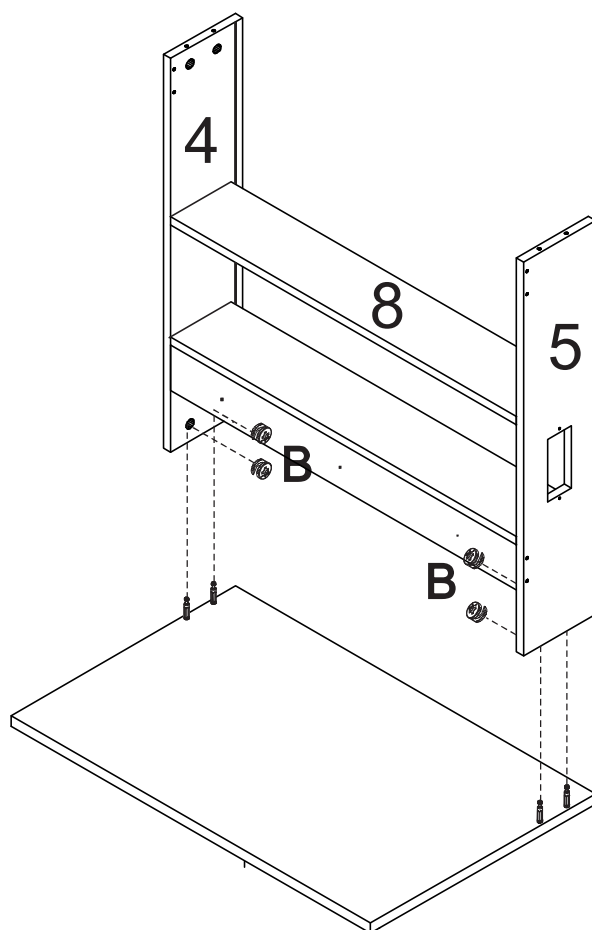
A x 11

# STEP 19



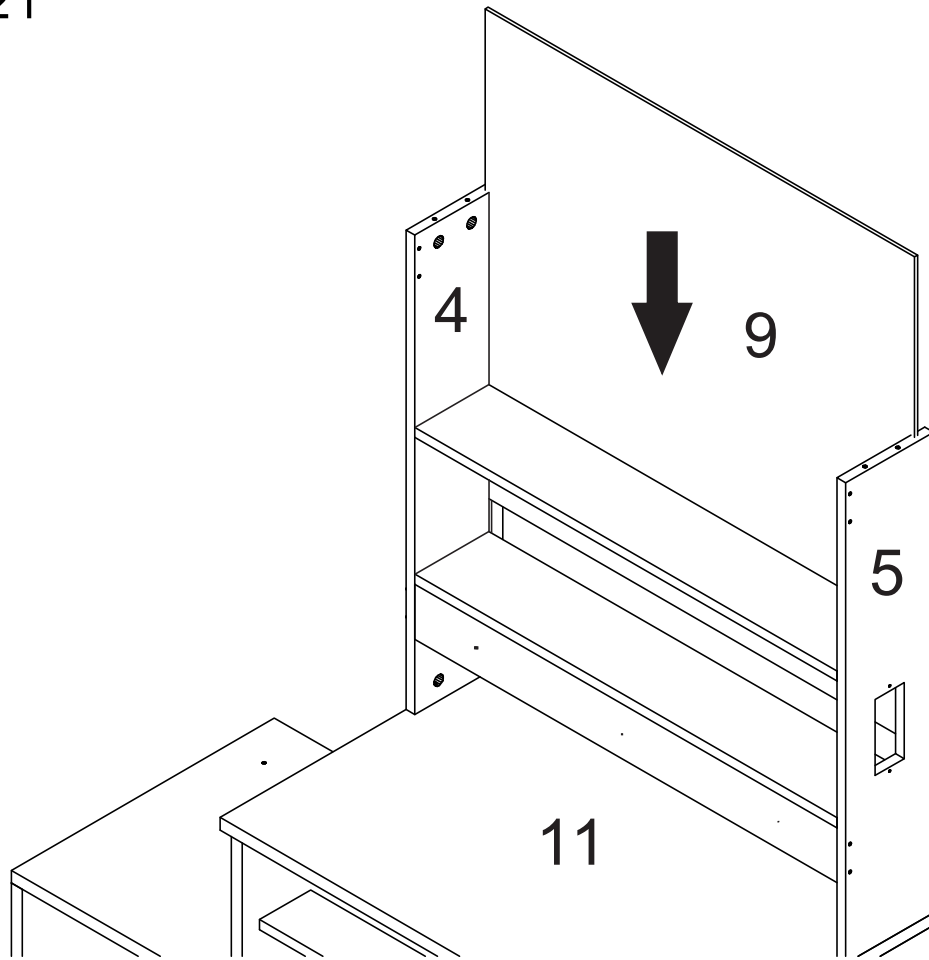
B x 8

# STEP 20

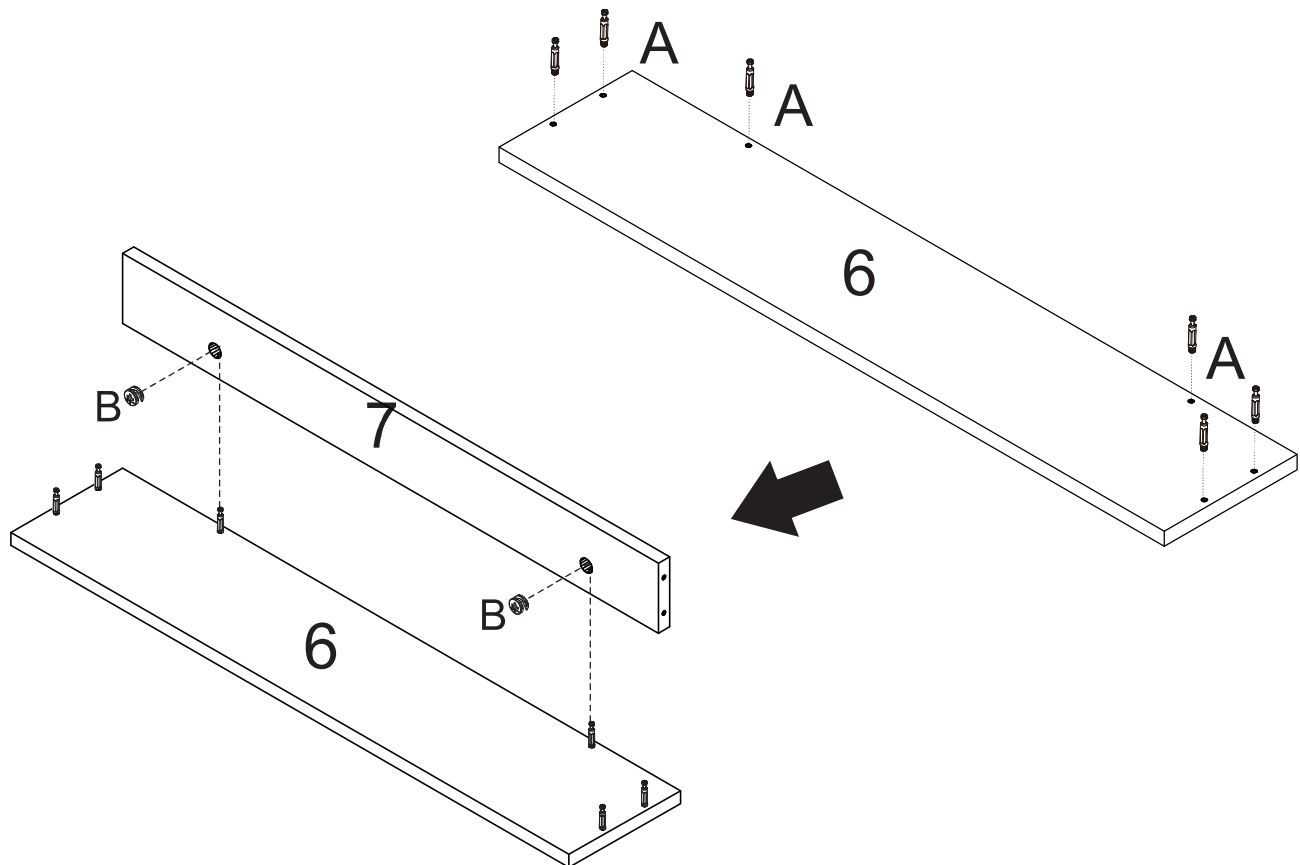


B x 4

# STEP 21

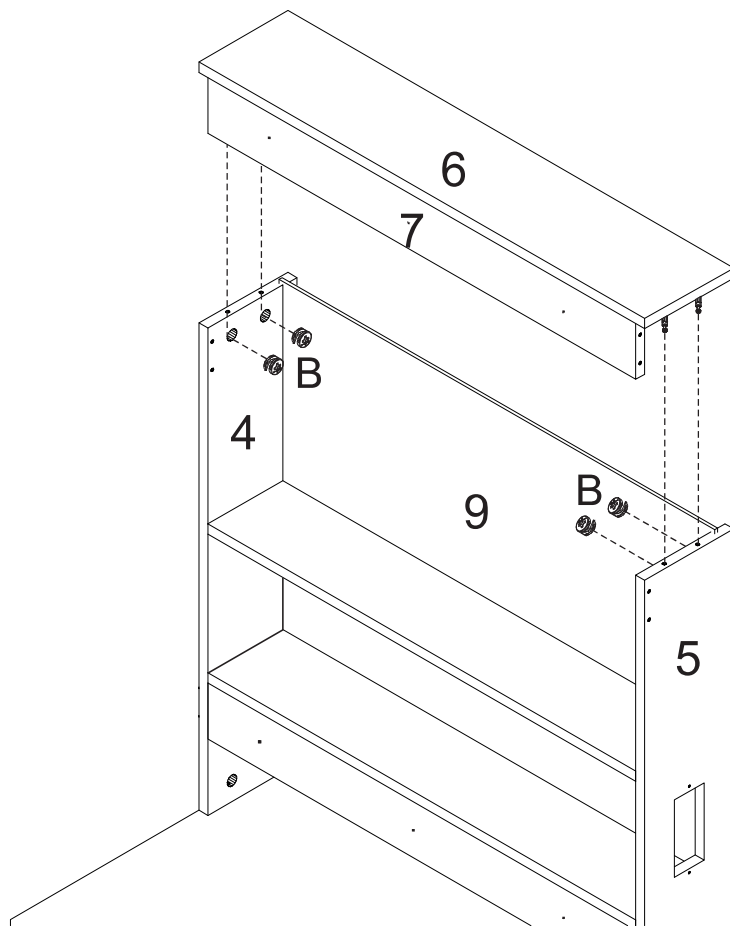


# STEP 22



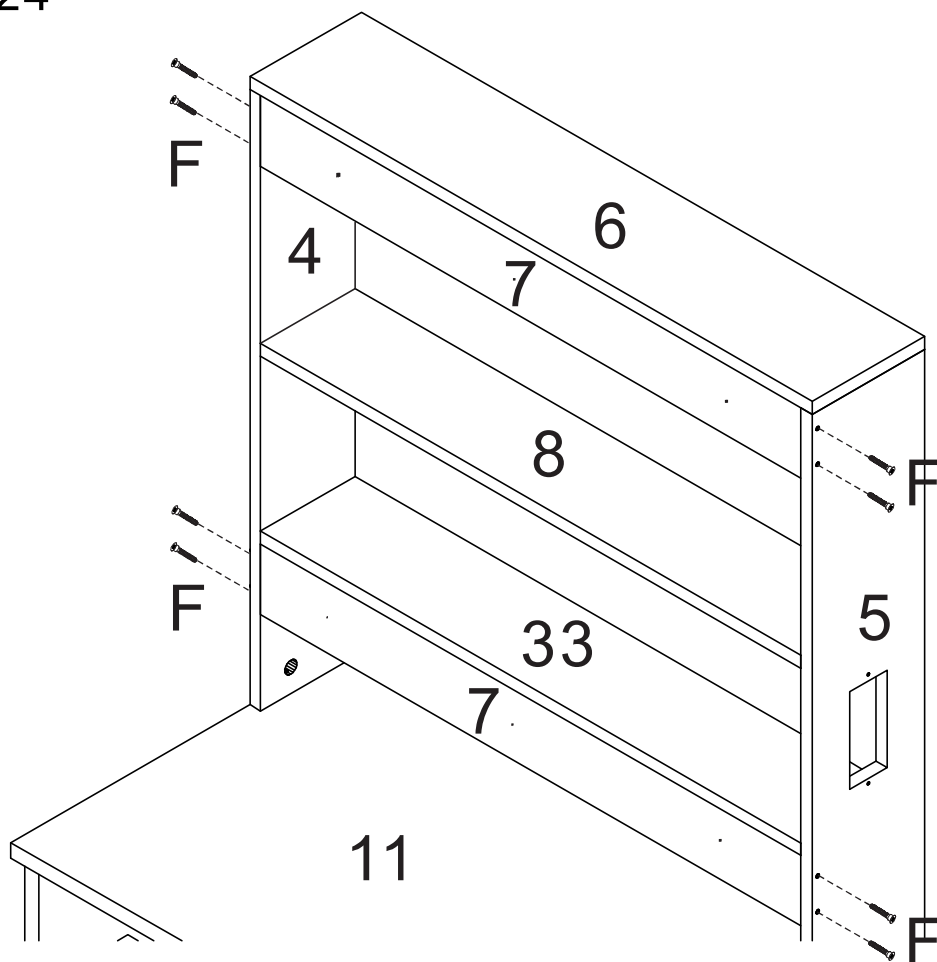
A x 6  
B x 2

# STEP 23



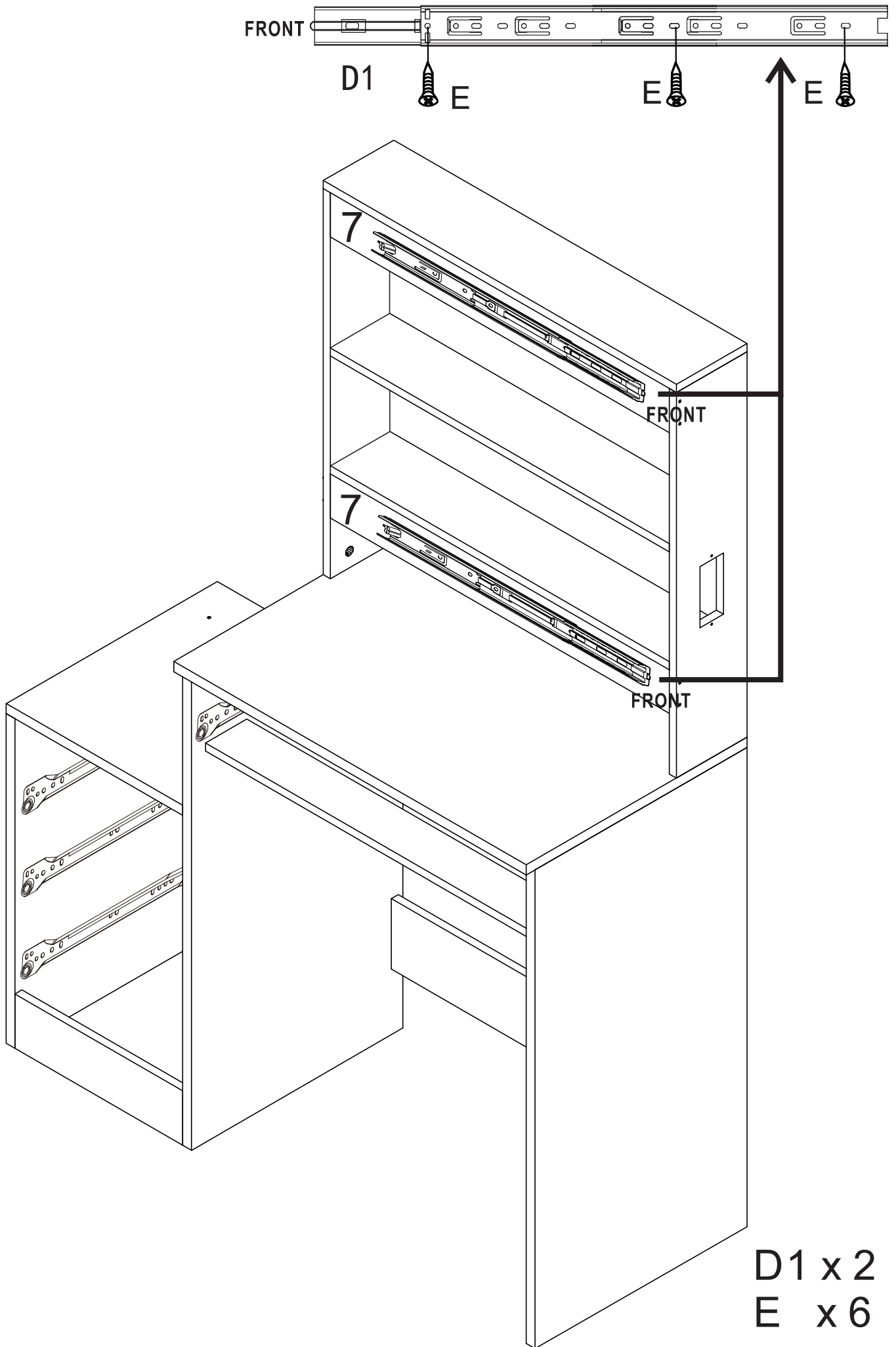
B x 4

# STEP 24

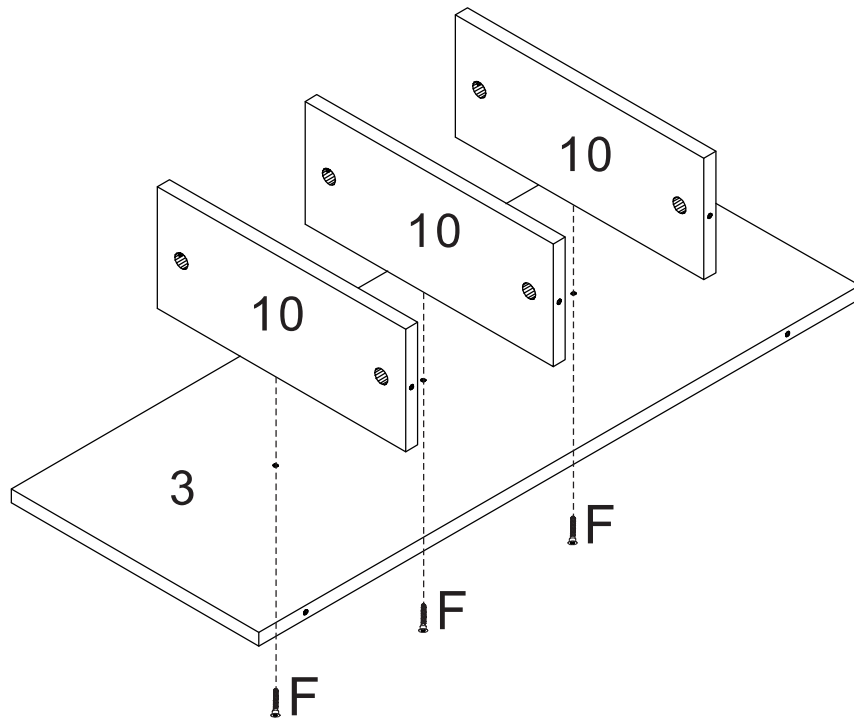


F x 8

# STEP 25

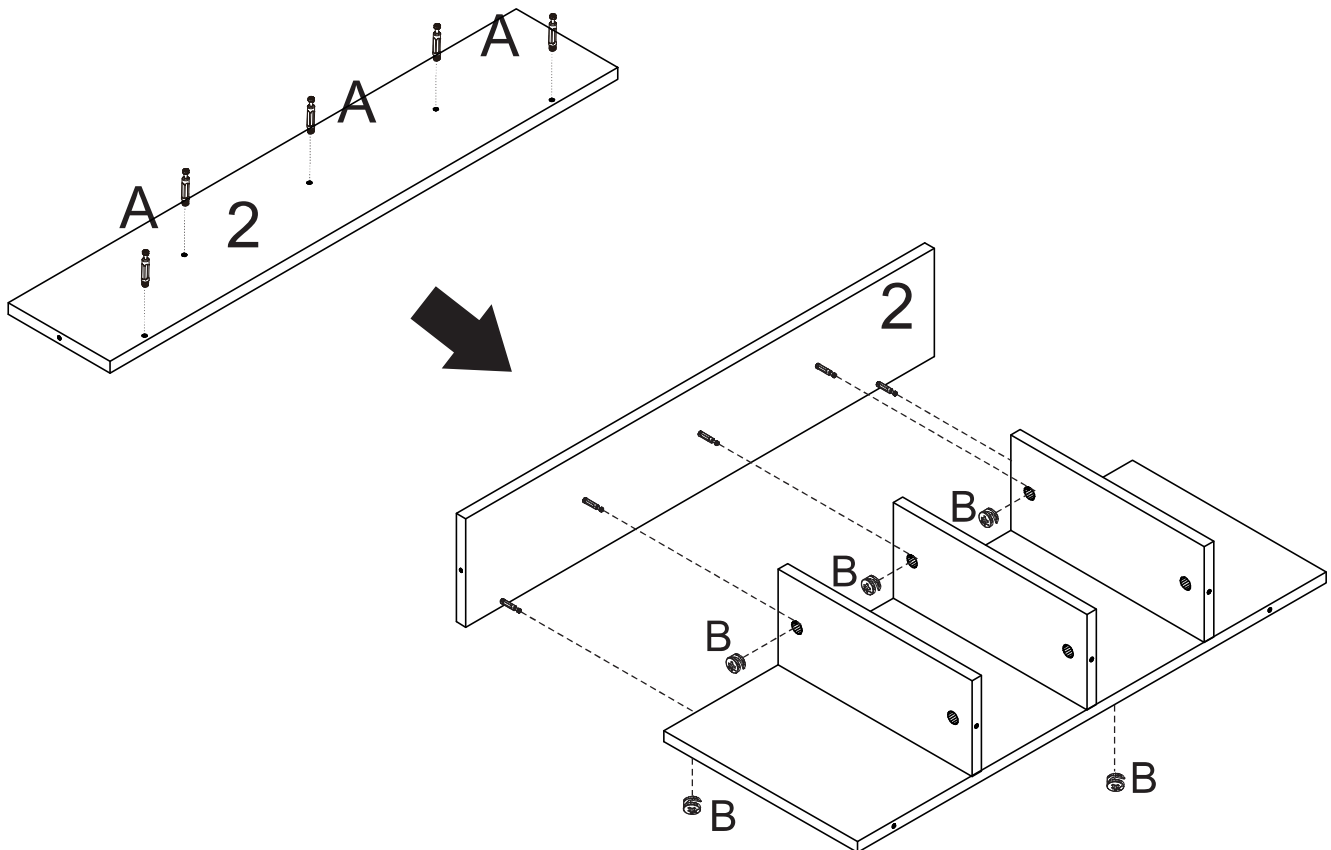


# STEP 26



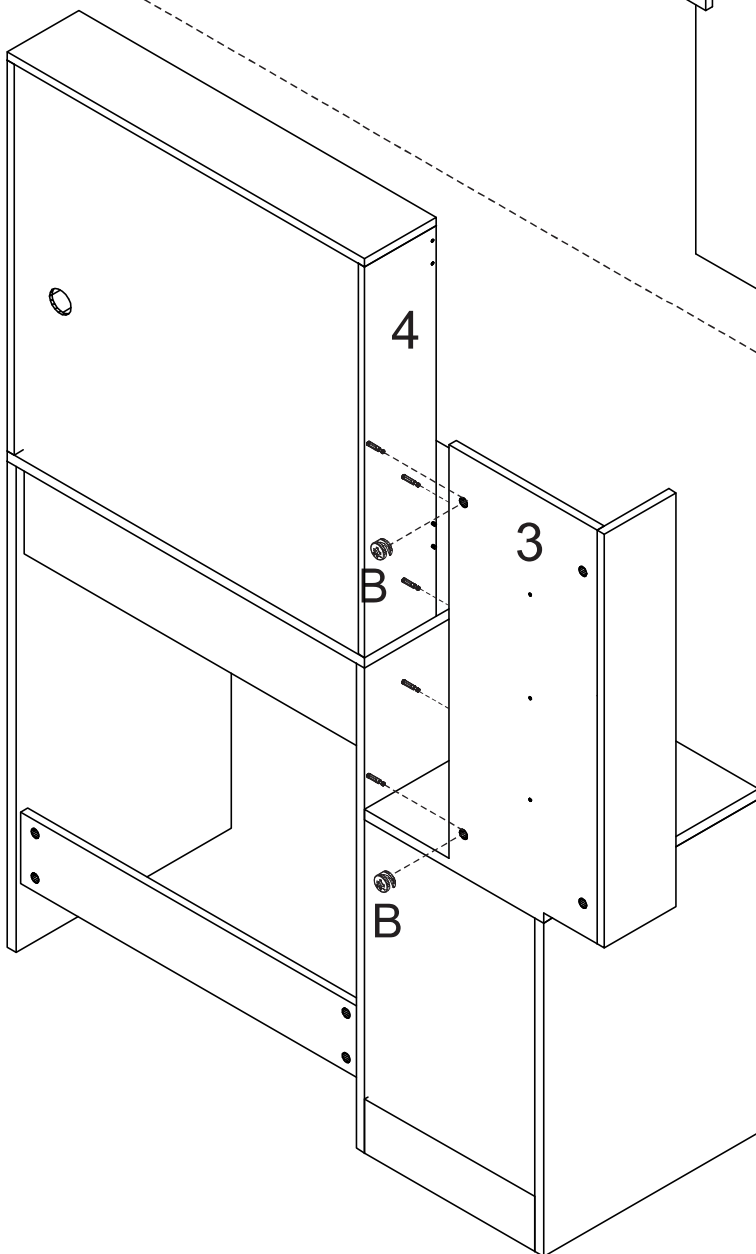
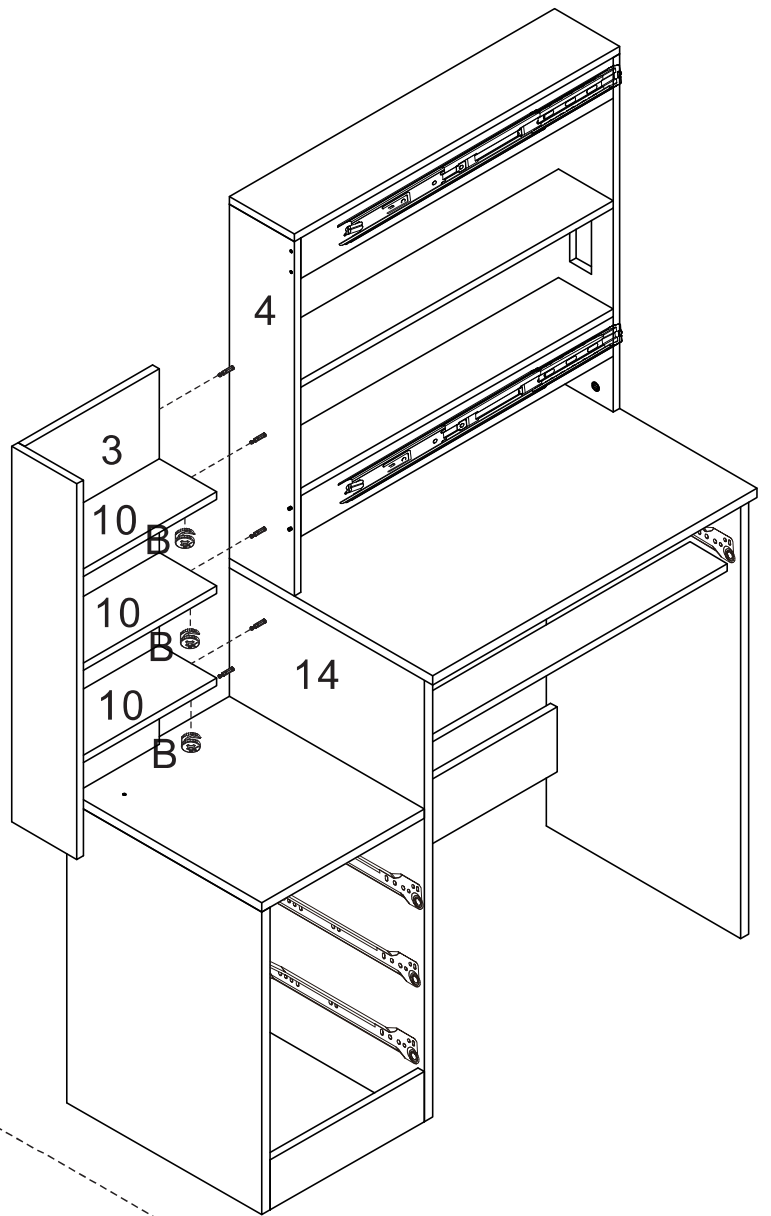
F x 3

# STEP 27

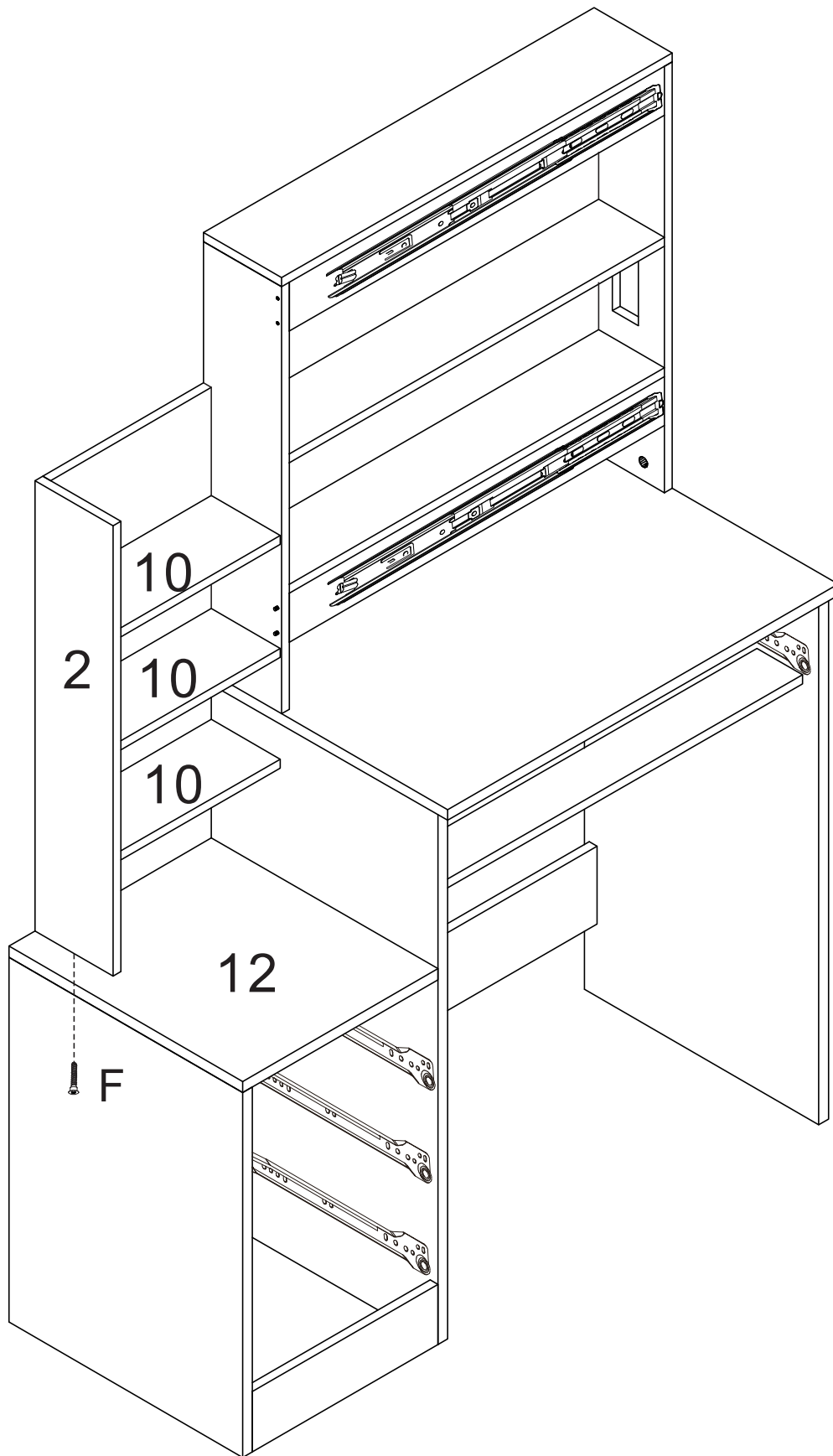


A x 5  
B x 5

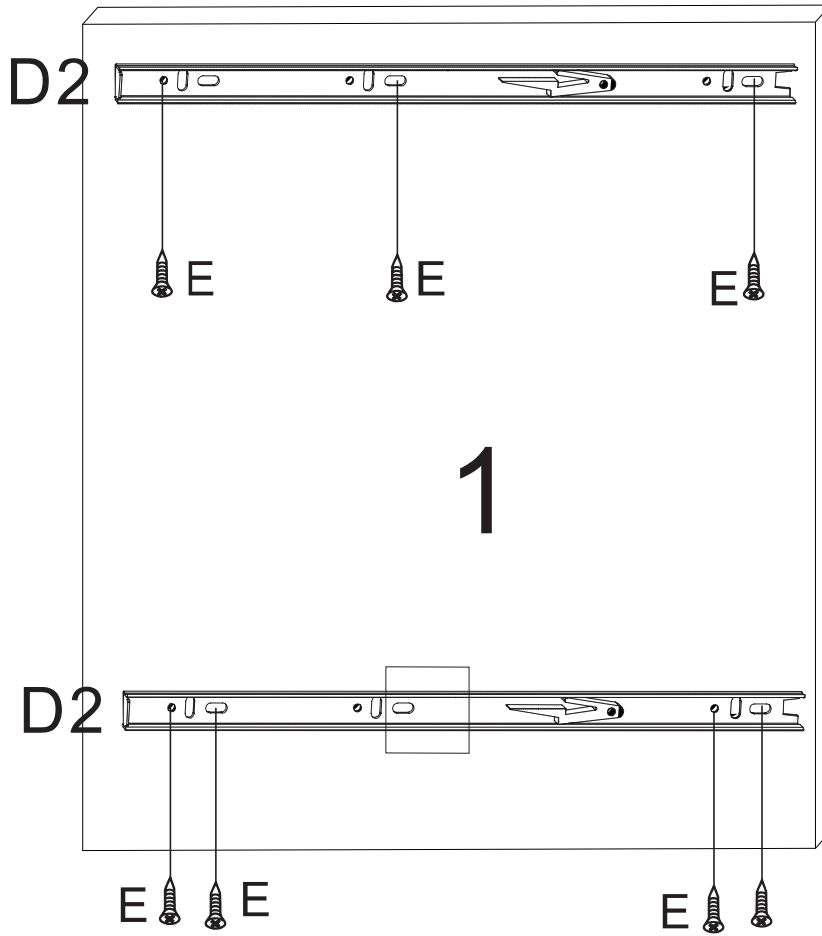
# STEP 28



# STEP 29

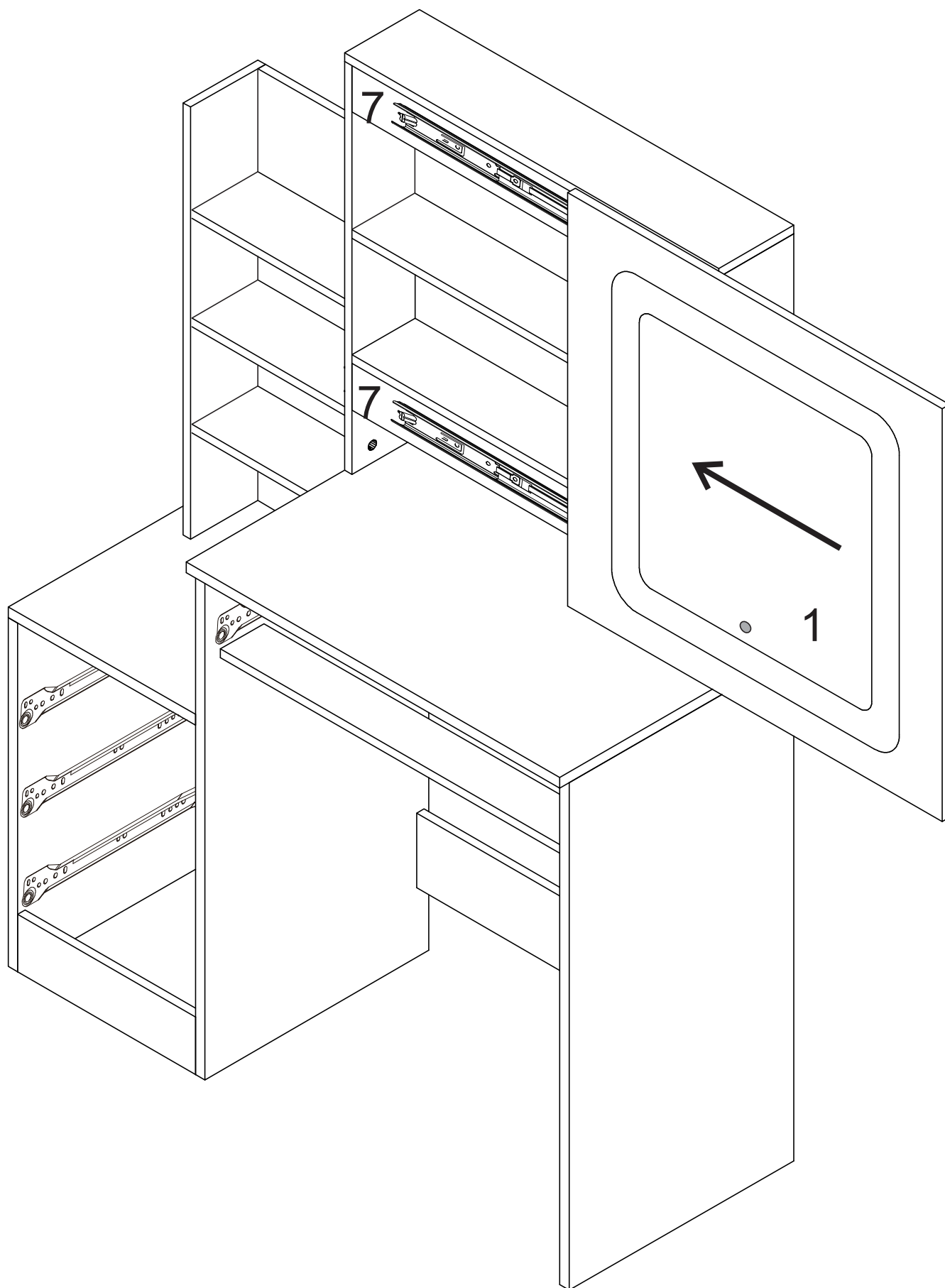


STEP 30

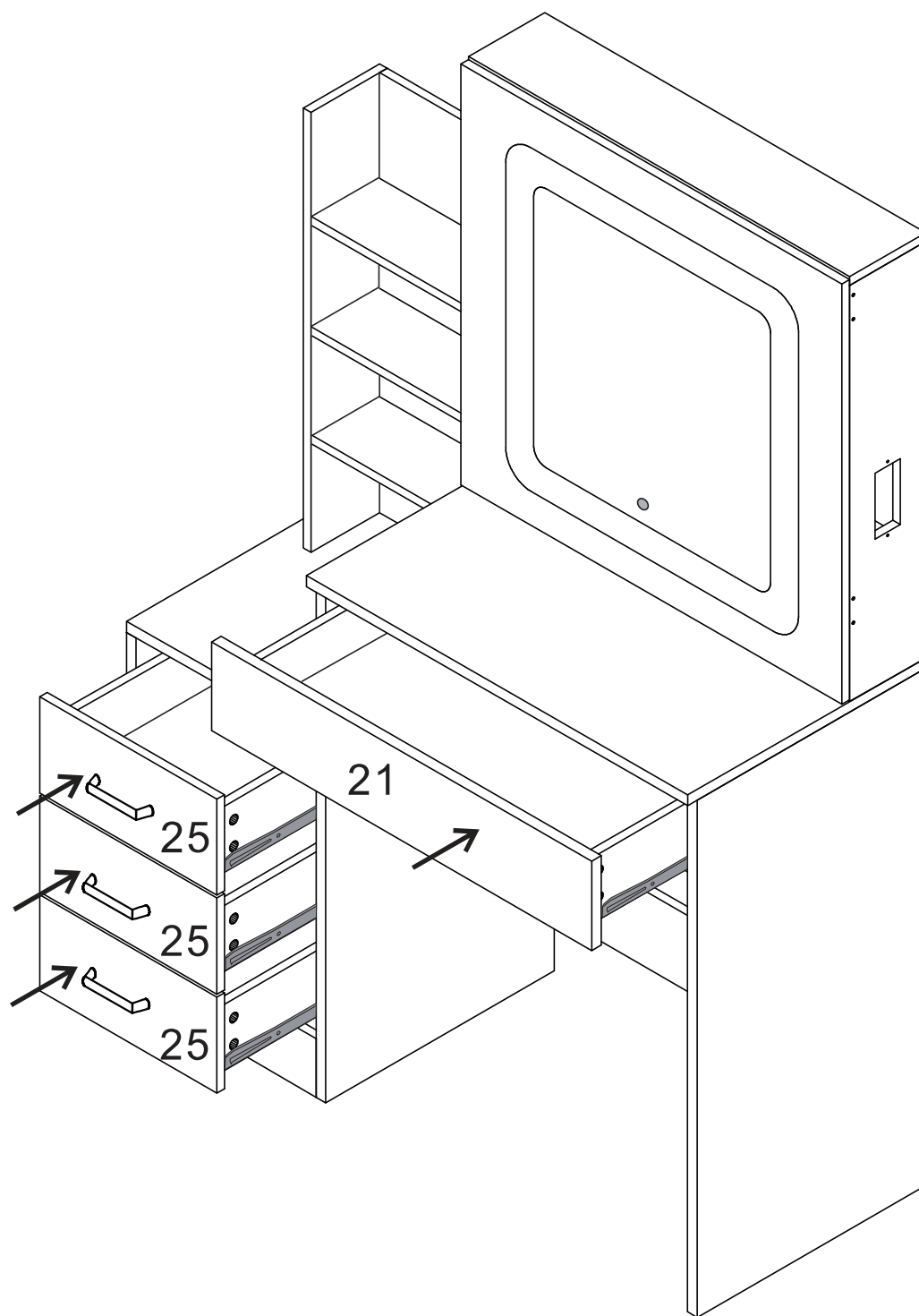


D2 x 2  
E x 7

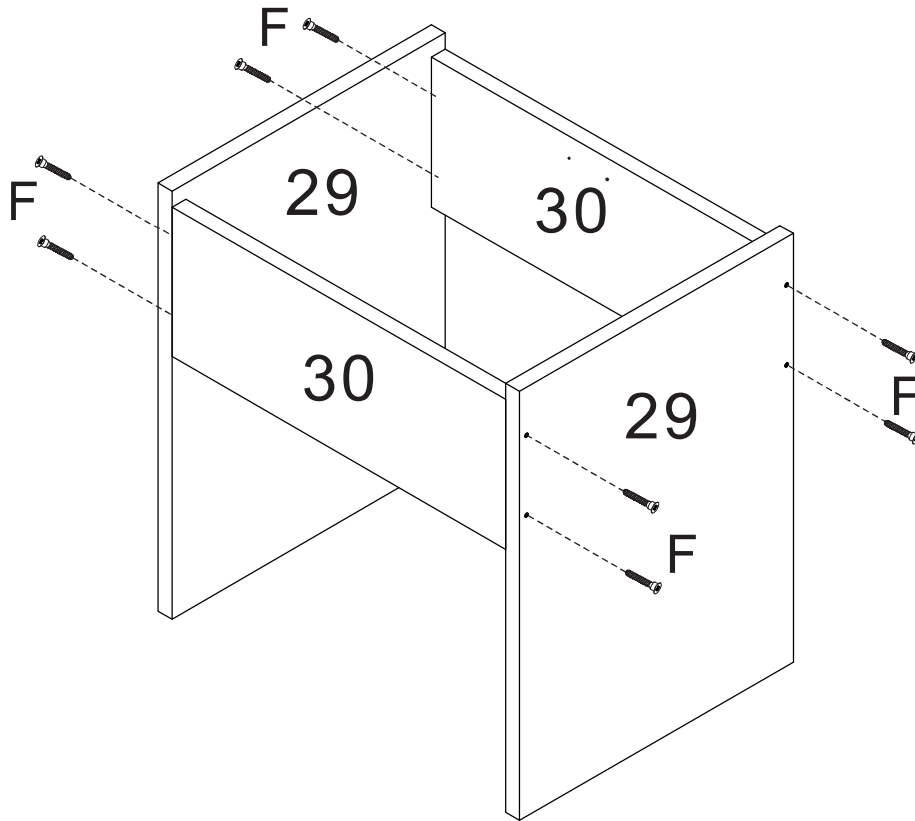
# STEP 31



# STEP 32

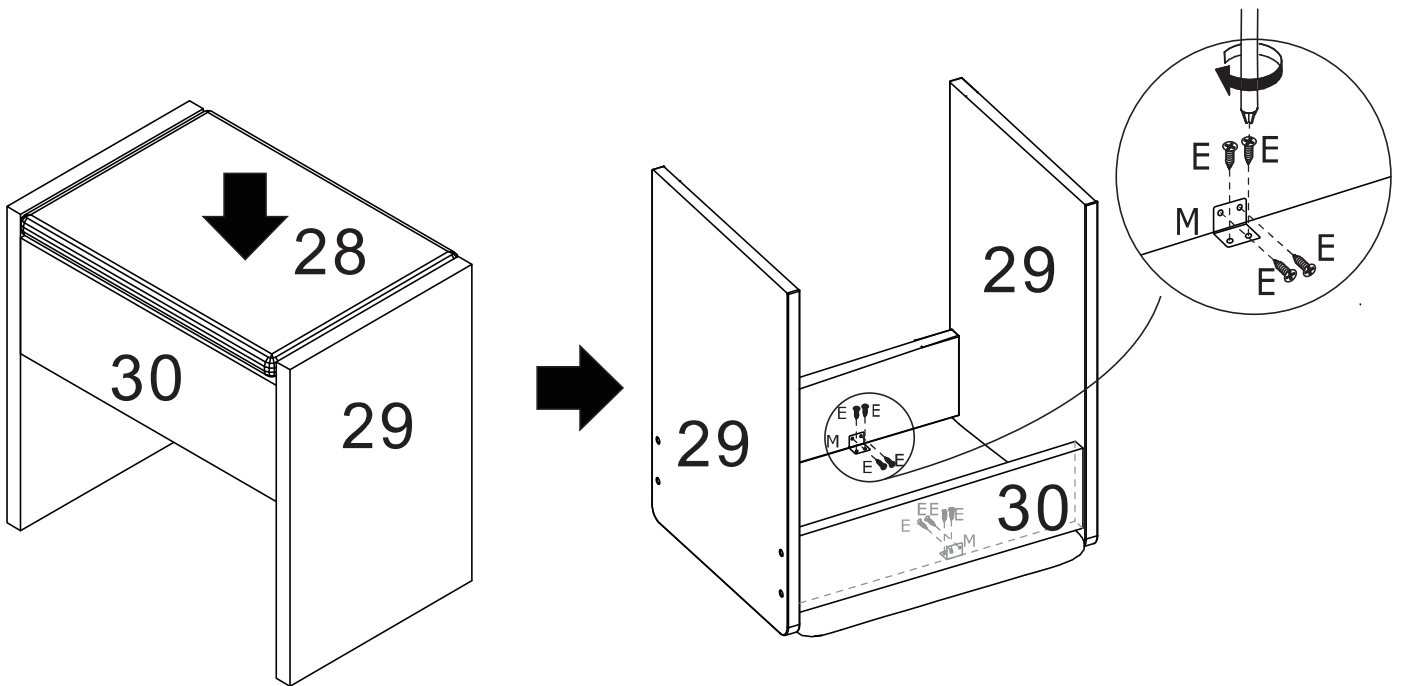


# STEP 33



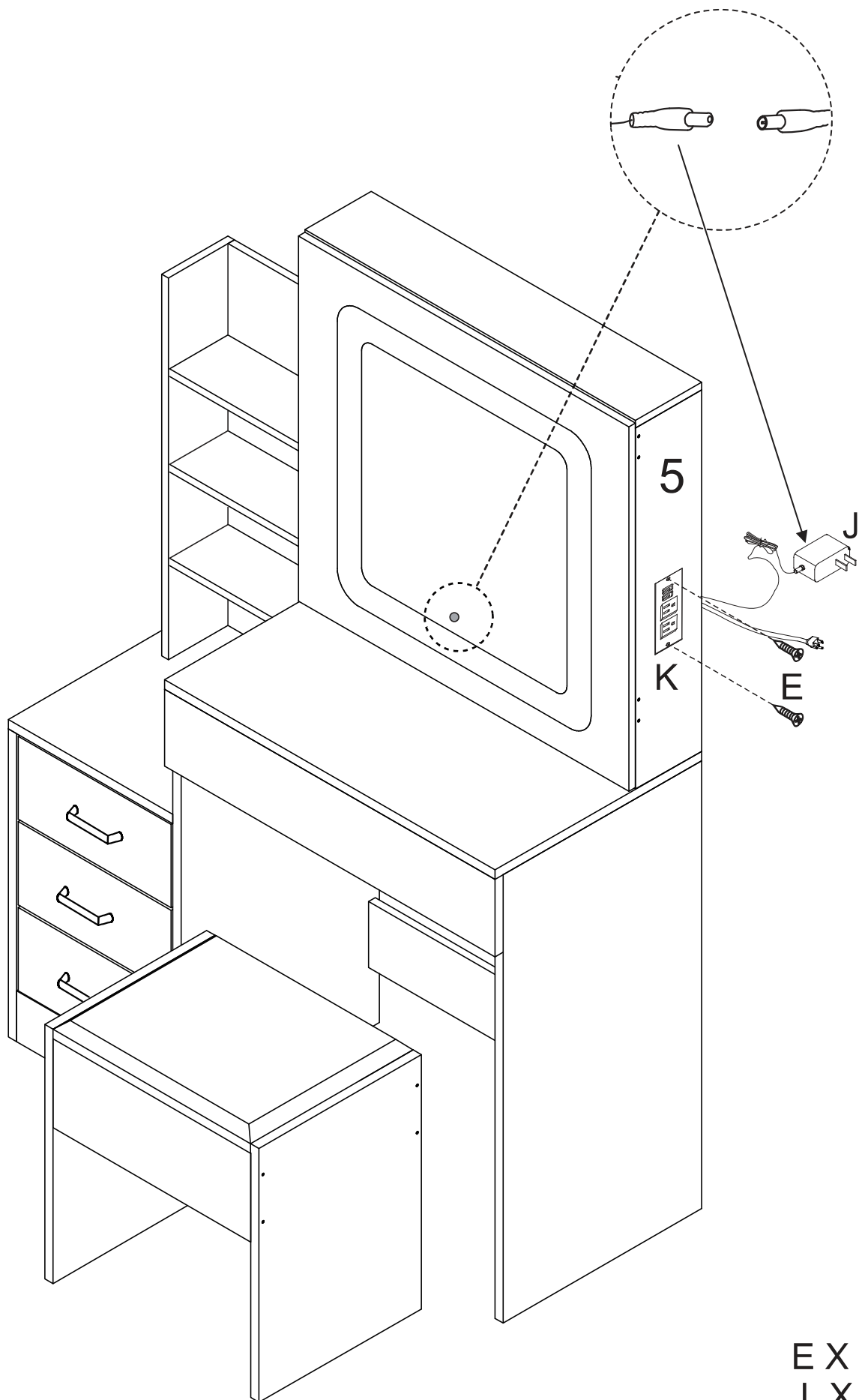
F X 8

# STEP 34



E X 8  
M X 2

# STEP 35



E X 2  
J X 1  
K X 1

## WARNING



Tragic incidents involving furniture tip-overs have led to child fatalities.

To mitigate this risk:

**STOP** children from standing, climbing, or hanging on drawers, or shelves.

**LIMIT** drawer opening to one at a time.

Store heavy items in the bottom drawers to maintain stability.

Appreciate your trust in our products.

Should you encounter difficulties during assembly or require spare parts, please don't hesitate to reach out to our customer support.

We're here to help. Kindly include your Username and Order ID to facilitate prompt assistance.